



REFRIGERATION AND
AIR CONDITIONING

Instructions

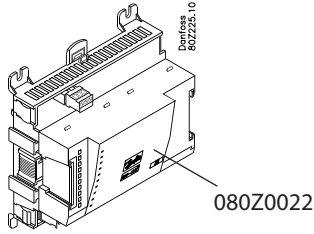
Stepper output module AK-XM 208B



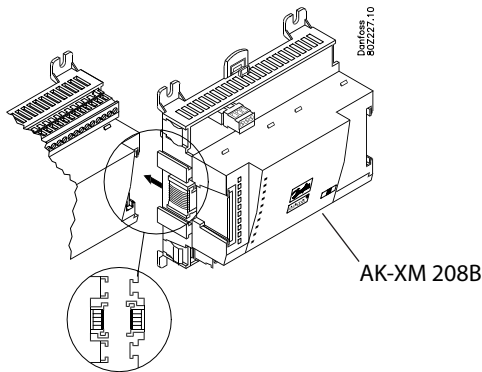
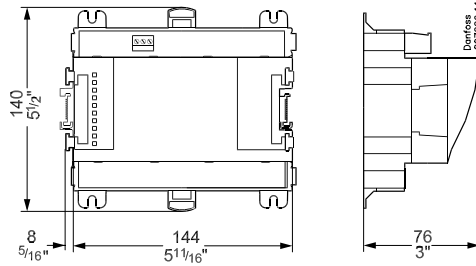
080R9255



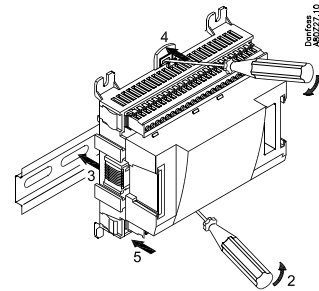
RI8KG602



080Z0022



AK-XM 208B



CE

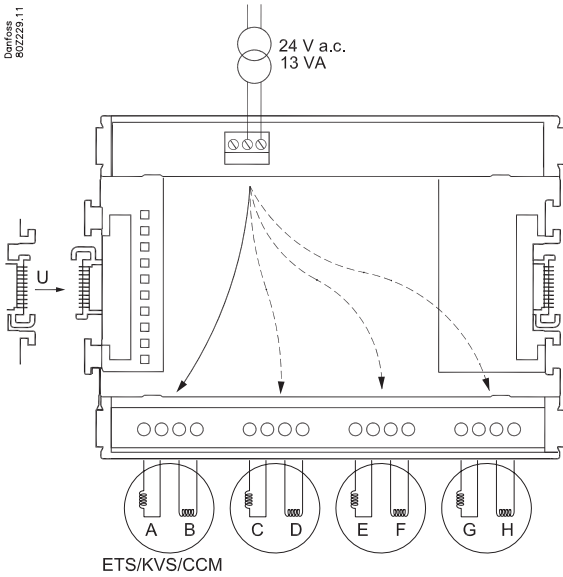
-20° < t_{amb} < 55°C
-0°F < t_{amb} < 130°F
0 - 95% RH, non condensing
IP10 / VBG4



Warning

Ensure power is
disconnected before
adding or removing
Modules

4 x stepper valve output

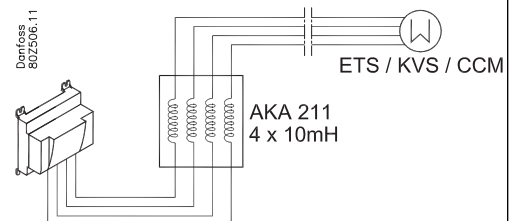
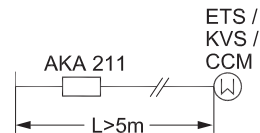
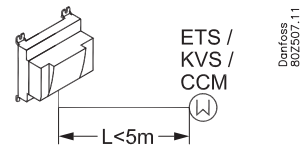


ETS/KVS/CCM

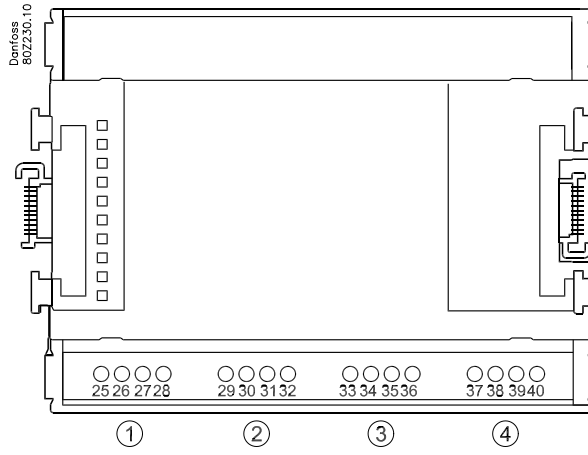
Output:

24 V d.c.
I_{max} = 500 m A / coil

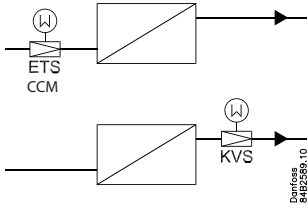
L



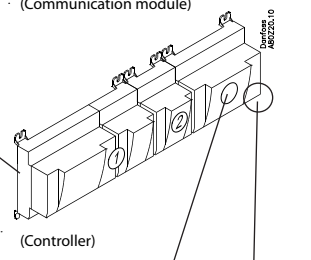
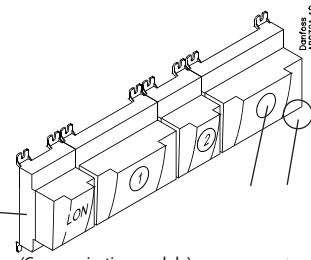
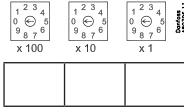
Point



Point / Terminal	1	25	26	27	28
	2	29	30	31	32
	3	33	34	35	36
	4	37	38	39	40
ETS		White	Black	Red	Green
CCM		White	Black	Green	Red
KVS 15		White	Black	Green	Red
KVS 42-54		White	Black	Green	Red

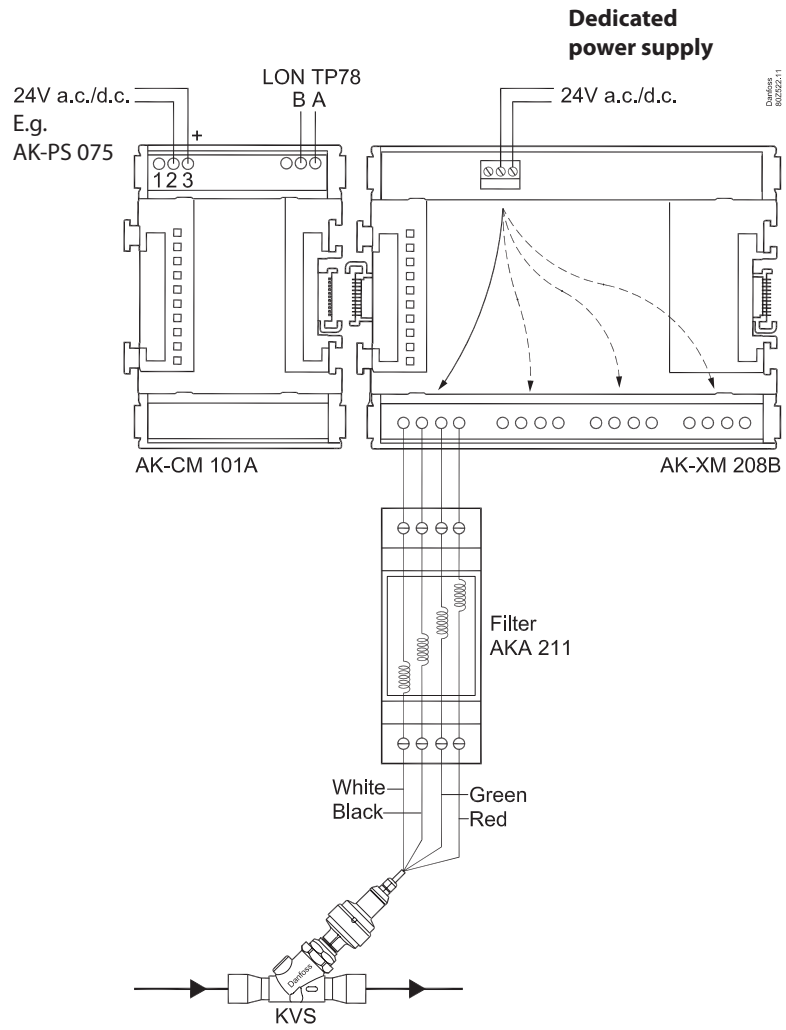


Address



Valve	Module	Point	Terminals
<p>ETS/KVS/CCM</p>		1	25 - 28
		2	29 - 32
		3	33 - 36
		4	37 - 40

Example



The Product contains electrical components
And may not be disposed together with domestic waste.
Equipment must be separate collected with Electrical and Elec-
tronic waste. According to Local and currently valid legislation.