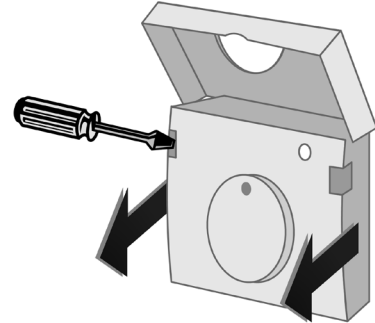
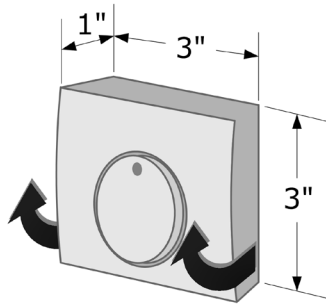


# INSTRUCTION

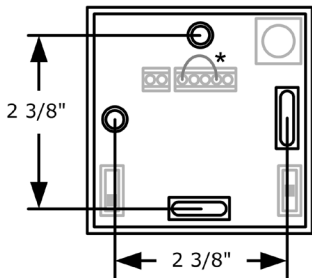
## Room Thermostat FH-WS °F



• Lift front cover

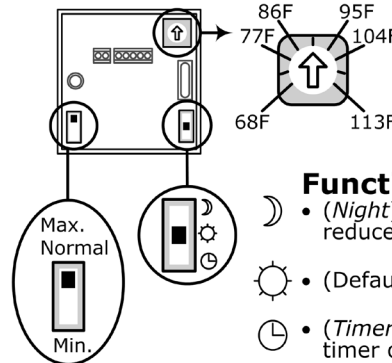
• Place screwdriver in tab to pry off thermostat cover

### Mounting of Thermostat



### Mode Selection

- *Minimum setting*- maintains floor at set temperature
- *Maximum setting*- monitors floor for overshoot based on set temperature
- Without optional floor sensor installed, mode should be set to Max.



### Floor Sensor Setting

Rotate arrow to set temperature for min. or max. temperature

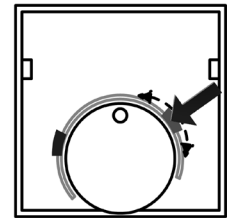
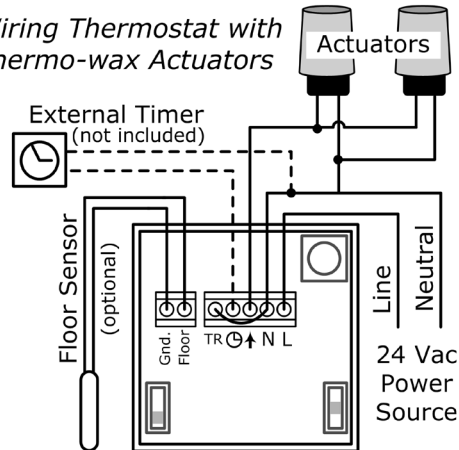
### Function Switch

- (Night) Local night setback, reduces by approx. 9F
- (Default) Normal operation
- (Timer) Optional external timer operation

### Typical Wiring

- Minimum 3 wires required for thermostat. A 4<sup>th</sup> wire is required if an external clock is utilized
- Maximum extension of floor sensor 33ft with 18-gauge wire
- Installation by a licensed electrician is recommended
- Use of the thermostat should be in accordance with all national and local electric codes

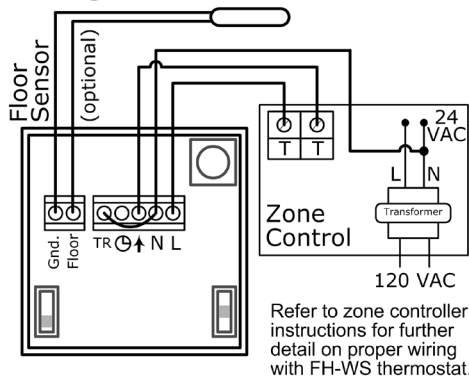
### Wiring Thermostat with Thermo-wax Actuators



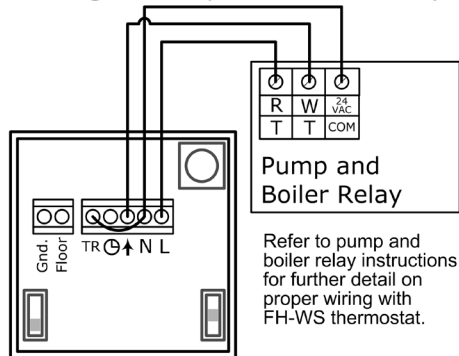
Setting room temperature limitation.  
Red/max. , Blue/min.

- Lift tab up.
- Rotate tab to set the limitation.

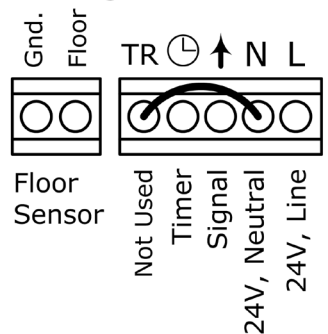
### Wiring to Zone Controller



### Wiring to Pump and Boiler Relay



### Wiring Terminal



\* Jumper between TR and N should remain