

Product

AVTB-RA thermostatic water valve (reverse-acting) open on rise in temperature.

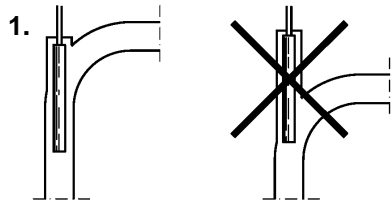
Application

For use in regulating water flow of cooling applications.
 Maximum working pressure.....: 232psig(16bar)
 Maximum differential pressure.: 102psi (7bar)

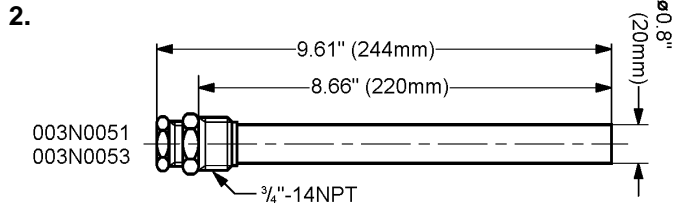
Maximum test pressure.....: 362psig (25bar)
 Maximum water temperature.: 266°F (130°C)

Installation

Install the valve with flow in the direction indicated by the arrow on the valve body. The valve can be mounted in any position. It is recommended that a strainer be fitted ahead of the valve. The spring housing can be removed and replaced on the valve body to make reading the scale easier. Turn the hand knob clockwise until the valve is set at 1. Remove the 4 screws holding the spring housing to the body. Turn the spring housing to the desired position and secure it in the new position.

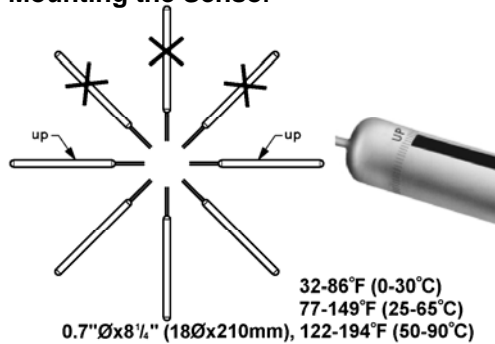


The entire sensor must be in contact with the fluid being controlled in order to obtain a proper reading of the temperature. Avoid sharp bends in the capillary tube.



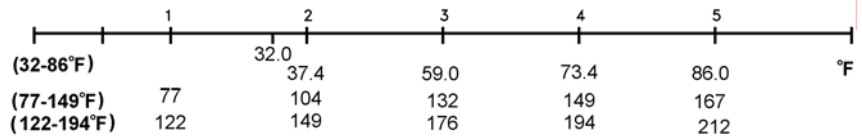
If the sensor will be installed in a pocket, the free space in the sensor pocket should be with heat conducting compound to ensure proper heat transfer from the fluid to the sensor.

Mounting the Sensor



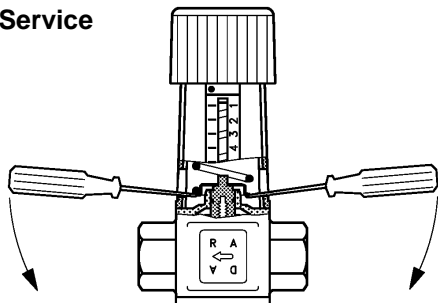
The standard large sensor must be installed so that the tip is never higher than the capillary tube end. Unless fitted vertical the RED line on the bulb and the label "UP" must face upwards. Ensure a flow past the sensor exists at all times. A bypass may be necessary for start-up.

Temperature Setting



Adjust the setting by turning the hand knob to the required reference number on the valve scale. A thermometer placed near the sensor will provide a more accurate setting. To **increase** the temperature setting, turn the hand knob *counter-clockwise*. To **decrease** the temperature setting, turn the hand knob *clockwise*.

Service

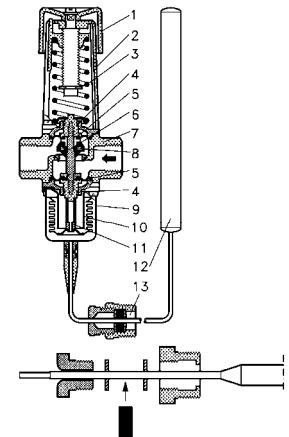


Should the valve seat and valve plate require cleaning after start-up, insert two screwdrivers through the two access holes and under the spring retainers. Push down on the screwdrivers to open the valve.

To replace the thermostatic element set the valve to "1" on the valve scale. Remove the four screws holding the thermostatic element to the valve. Replace element and tighten screws. The element can be replaced with water in the system.

Spare Parts:

All spare parts are common between the AVTB heating valve and the AVTB-RA cooling valve.
 Thermostatic element 32-85°F (0-30°C).....003N0075
 Thermostatic element 77-149°F (25-65°C).....003N0078
 Thermostatic element 125-190°F (50-90°C).....003N0062
 Spring Housing003N0001
 Repair kit AVTB/RA15 (items 4,5,8 & screws).003N4006
 Repair kit AVTB/RA20 (items 4,5,8 & screws).003N4007
 Repair kit AVTB/RA25 (items 4,5,8 & screws).003N4008
 Heat conducting paste.....041E0110



Danfoss can accept no responsibility for possible errors in printed materials and reserves the right to alter its products without notice.

All trademarks in this material are property of the respective companies. Danfoss and Danfoss logotype are trademarks of Danfoss A/S. All rights reserved.