

Data Sheet

Danfoss Ally™ Starter Pack Containing Gateway & Radiator Thermostat

Application



The Danfoss Ally™ Gateway is a programmable, wireless control system that connects all the Danfoss Ally™ devices to the internet and intelligently controls your heating via a free app downloadable from Google Play and App Store.

The power supply and LAN cable for the internet connection are included.

- Controls the daily heating schedule for every room allowing quick and easy adjustments to be made.
- The Pre-Heat function is used to ensure you have the right temperature when you want it. When Pre-Heat function is "On" it means that, it is ramping up to the next scheduled At Home mode.
- The Danfoss Ally™ Gateway software is automatically updated from the internet.

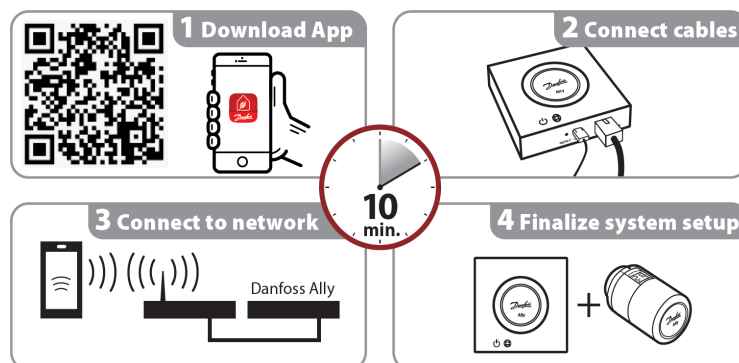
The total number of units for the one Danfoss Ally™ Gateway must not exceed 199 mains and battery-powered devices:

Danfoss Ally™ Radiator Thermostat	32 units
Danfoss Ally™ Room Sensor	
Danfoss Ally™ Zigbee Repeater	199 units
Danfoss Ally™ Boiler Relay	
Danfoss Icon™ Zigbee Module / Danfoss Icon™ Master Controller (floor heating)	
Danfoss Icon2™ Main Controller (floor heating)	
Danfoss Icon™ Room Thermostat	
Danfoss Icon2™ Room Thermostat	50 units
Number of devices per room	
Number of rooms per Home/Family	20 pcs.
Number of Homes/Families per one account	20 pcs.
Number of devices per account (20 homes/families and 200 units per each)	4000 units
Number of Home/Family members per one account	20 pcs.
Number of devices per one Home/Family	200 units




Ordering







Product	Languages	Code no.
Danfoss Ally™ Starter Pack	EN, DE, DA, FR, IT, ES, PL, CS, UA, RU, SV, FI, IS, ET, LV, LT, SK, SL, RO, HR, TR	014G2440

Easy Installation



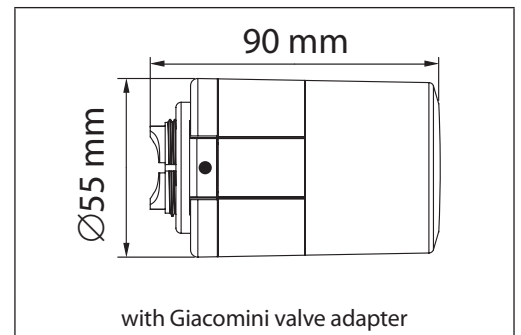
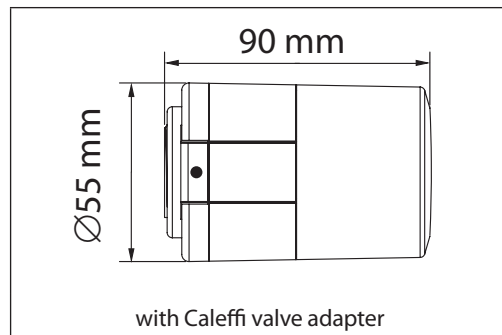
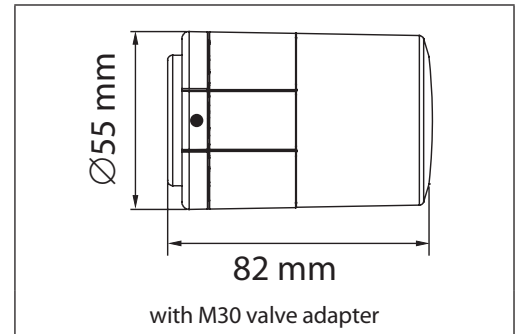
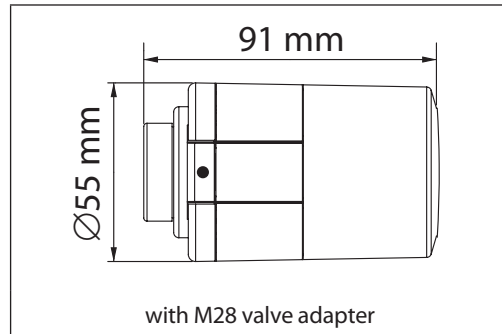
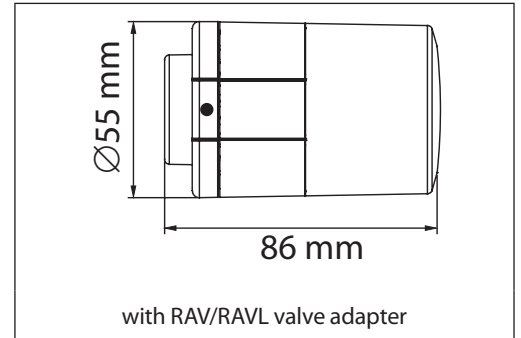
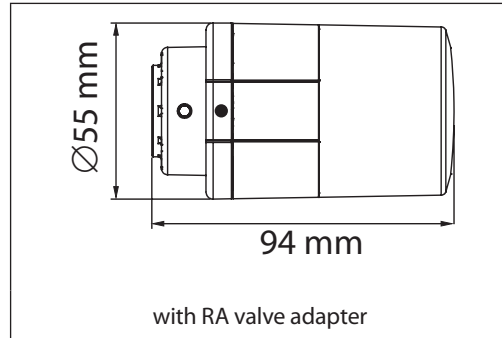
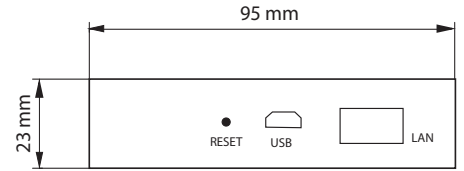
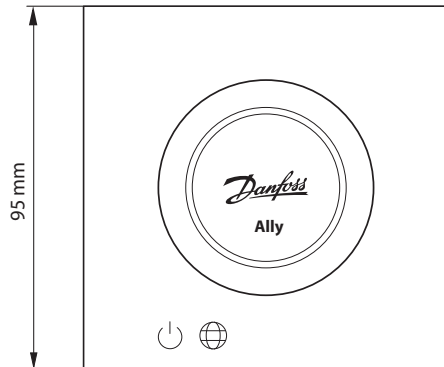
Technical Specifications

Danfoss Ally™ Gateway	
Device Function	Smart Home Gateway
Recommended Use	Residential indoor (pollution degree 2)
Application	Radiators, water-based floor heating
LED Indicators (green)	Power/Status, Network Connection
Button	Press Reset Button for 5 sec. to perform factory reset
Power Supply	5 VDC
Adaptor	110 V ~ 240 VAC, 5V 1A DC
Power Consumption / Standby	< 5 W / < 2 W
Wired Communication	10/100M Ethernet Port (RJ45, LAN)
Wireless Communication	Zigbee / IEEE 802.15.4
Transmission Frequency / Power	2.4 GHz / < 20 dBm (79 mW)
Transmission range inside buildings	up to 30 m
Firmware Update	Support for over the air updates
Operation Temperature	-10 °C to 55 °C
Storage Temperature	-20 °C to 60 °C
Color	RAL 9016
Size	95 mm x 95 mm x 23 mm
IP class	20
Integrations	Amazon Alexa, Google Assistant, Partner API
Approval, markings etc.	  

Danfoss Ally™ Radiator Thermostat	
Thermostat type	Programmable electronic radiator valve controller
Recommended use	Residential (pollution degree 2)
Actuator	Electromechanical
Display	LCD with white backlight
Software classification	A
Control	PID
Power supply	2 x 1.5 V alkaline AA batteries
Power consumption	3 mW in standby, 1.2 W when active
Transmission Frequency / Power	2,4 GHz / < 40 mW
Battery life	Up to 2 years
Low battery signal	Battery icon will flash in display.
Ambient temperature range	0 to 40 °C
Transportation temperature range	-20 to 65 °C
Maximum water temperature	90 °C
Temperature setting range	5 to 35 °C
Clock accuracy	+/- 10 min/year
Spindle movement	Linear, up to 4.5 mm, max. 2 mm on valve (1 mm/s)
Noise level	<30 dBA
Safety classification	Type 1
Color	RAL 9016
Open-window function	Activated at temperature decrease or by ZigBee command
Weight (incl. batteries)	198 g (with RA adapter)
IP class	20 (not to be used in hazardous installations or in places where it will be exposed to water)
Integrations*	Partner API, Google Assistant, Amazon Alexa
Approvals, markings etc.	     

* Requires Danfoss Ally™ Gateway

Dimensions



Danfoss A/S

Climate Solutions • danfoss.com • +45 7488 2222

Any information, including, but not limited to information on selection of product, its application or use, product design, weight, dimensions, capacity or any other technical data in product manuals, catalogues descriptions, advertisements, etc. and whether made available in writing, orally, electronically, online or via download, shall be considered informative, and is only binding if and to the extent, explicit reference is made in a quotation or order confirmation. Danfoss cannot accept any responsibility for possible errors in catalogues, brochures, videos and other material. Danfoss reserves the right to alter its products without notice. This also applies to products ordered but not delivered provided that such alterations can be made without changes to form, fit or function of the product.

All trademarks in this material are property of Danfoss A/S or Danfoss group companies. Danfoss and the Danfoss logo are trademarks of Danfoss A/S. All rights reserved.