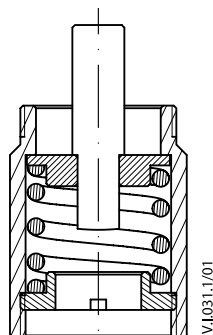
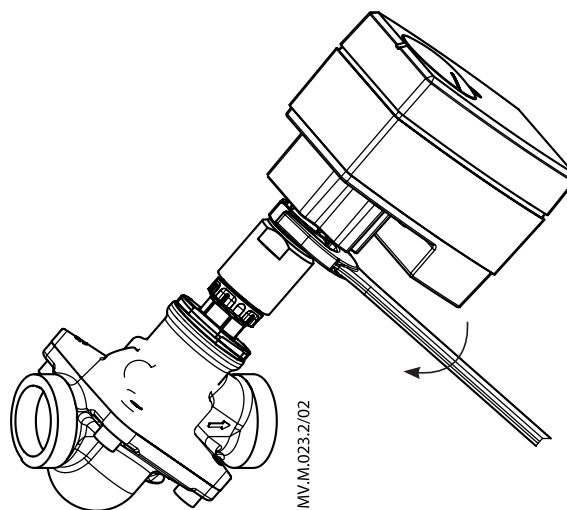
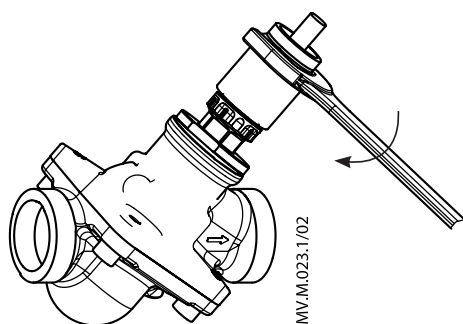
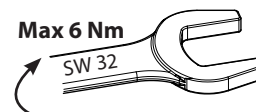


Installation Guide

AB-QM/AME 13 SU Adapter (DN 10-32)



Code No. 003Z3959



Installation Guide AB-QM/AME 13 SU Adapter (DN 10-32)
