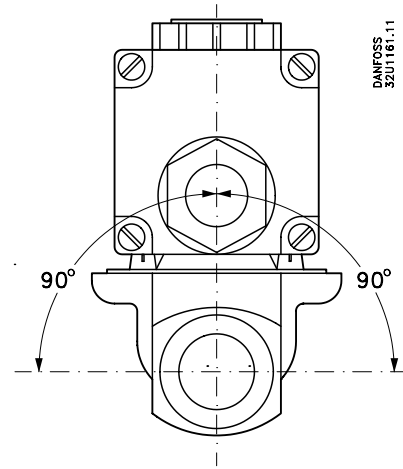


INSTRUCTIONS

Proportional solenoid valve,
type EV260B 6B - 20B
without signal converter



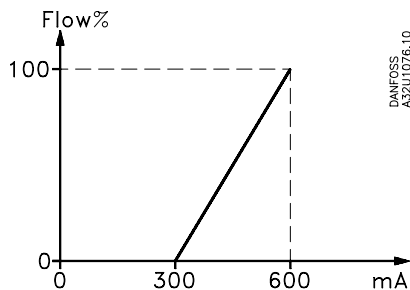
032R9326



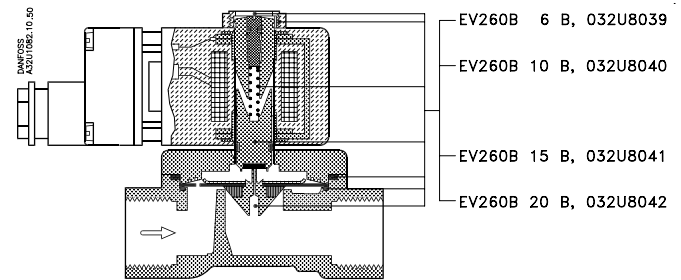
DANFOSS
32U1161.11

032R9326

Valve	Code no.	Coil
EV260B 6B, G 1/4	032U8052	018Z6987 type BK024D (without signal converter)
EV260B 6B, G 3/8	032U8053	
EV260B 10B, G 3/8	032U8054	
EV260B 10B, G 1/2	032U8055	
EV260B 15B, G 1/2	032U8056	
EV260B 20B, G 3/4	032U8057	



Proportional solenoid valve, Type EV260B Spare parts



Signalomsætter incl. spole Signal converter with coil Signalwandler mit Spule Convertisseur de signaux avec bobine

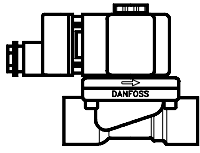
Forsyningsspænding: 24 V dc
(dobbeltenstrettet, uglattet ac)

Supply voltage: 24 V dc
(full-wave rectified unsmoothed ac)

Versorgungsspannung: 24 V dc
(doppelgleichgerichtete, unglättete ac)

Tension d'alimentation: 24 V c.c.
(c.a. à deux alternances redressées, non lissé)

Type	Styreenhed	Best. nr.
Type	Control signal	Code no.
Typ	Steuersignal	Best.-Nr.
Type	Signal de commande	N° de code
ESIC (BM024D)	0,5 → 10V	018Z0290
ESIC (BL024D)	4 → 20 mA	018Z0291

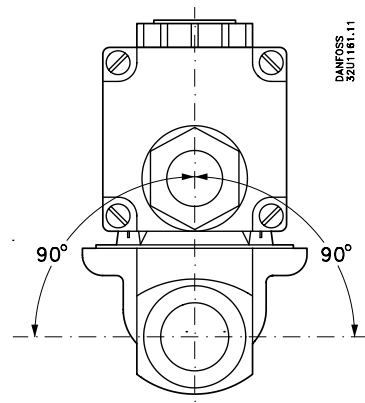
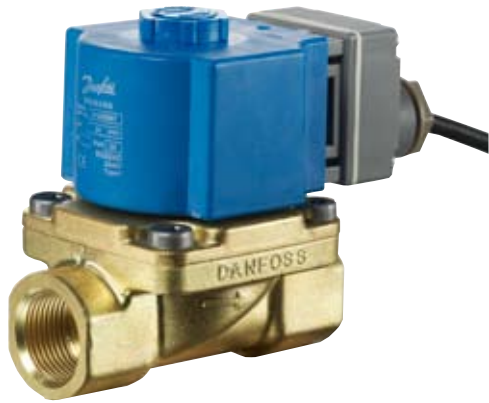


INSTRUCTIONS

Proportional solenoid valve,
type EV260B 6B - 20B
with signal converter, type ESIC



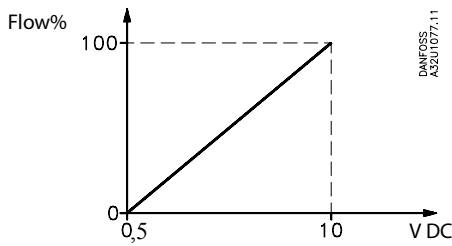
032R9326



032R9326

Pilot signal 0 - 10 V

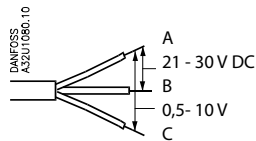
Valve	Code no.	Coil
EV260B 6B, G 1/4	032U8052	018Z0290 type BM024D (inkl./incl./mit/avec signal converter)
EV260B 6B, G 3/8	032U8053	
EV260B 10B, G 3/8	032U8054	
EV260B 10B, G 1/2	032U8055	
EV260B 15B, G 1/2	032U8056	
EV260B 20B, G 3/4	032U8057	



- A
Blå (neutral) fælles nul
Blue (neutral) common neutral
Blau (neutral) Sammel Null
Bleu (neutre) commun

- B
Brun
Brown
Braun
Brun

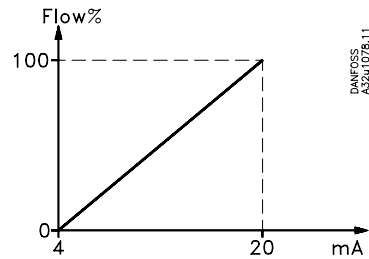
- C
Sort
Black
Schwartz
Noir



Gul / grøn ledning bruges ikke
Yellow / green lead not used
Die gelb / grüne Leitung wird nicht verwendet
Jaune / vert: fil disponible

Pilot signal 4 - 20 mA

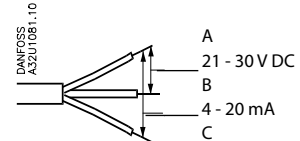
Valve	Code no.	Coil
EV260B 6B, G 1/4	032U8052	018Z0291 type BL024D (inkl./incl./mit/avec signal converter)
EV260B 6B, G 3/8	032U8053	
EV260B 10B, G 3/8	032U8054	
EV260B 10B, G 1/2	032U8055	
EV260B 15B, G 1/2	032U8056	
EV260B 20B, G 3/4	032U8057	



- A
Blå (neutral) fælles nul
Blue (neutral) common neutral
Blau (neutral) Sammel Null
Bleu (neutre) commun

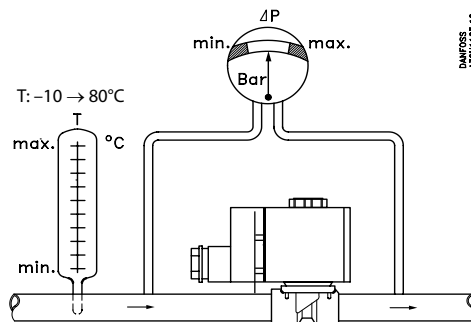
- B
Brun
Brown
Braun
Brun

- C
Sort
Black
Schwartz
Noir



Gul / grøn ledning bruges ikke
Yellow / green lead not used
Die gelb / grüne Leitung wird nicht verwendet
Jaune / vert: fil disponible

T: -25 → 50 °C



Δp

EV260B 6B	0.5 → 10 bar
EV260B 10B	0.5 → 10 bar
EV260B 15B	0.5 → 10 bar
EV260B 20B	0.5 → 10 bar