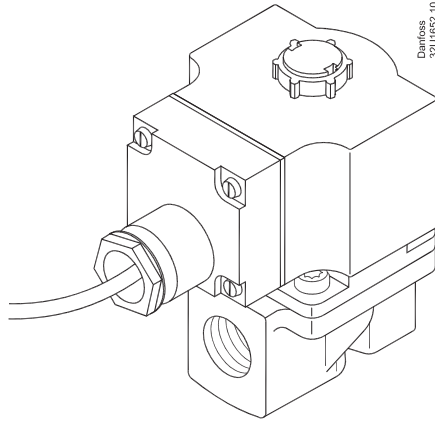
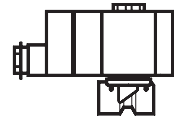
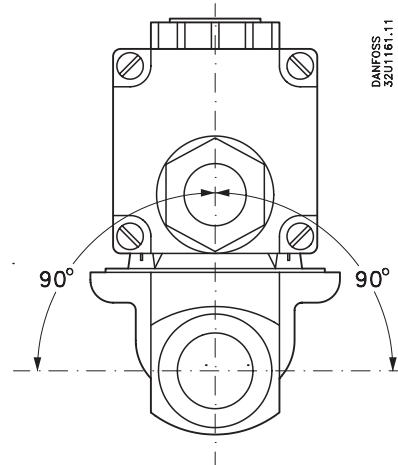


## Proportional solenoid valve, type EV260B 6B - 20B without signal converter

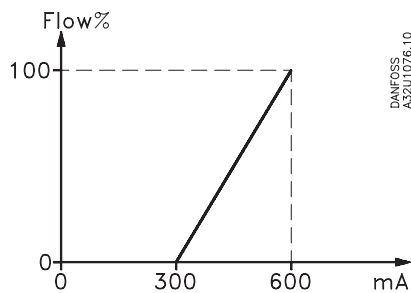


Danfoss  
32U1652.10



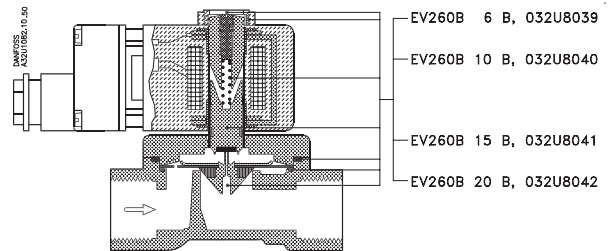
DANFOSS  
32U1161.11

Valve	Code no.	Coil
EV260B 6B, G ¼	<b>032U8052</b>	<b>018Z6987</b> type BK024D (without signal converter)
EV260B 6B, G ⅜	<b>032U8053</b>	
EV260B 10B, G ⅜	<b>032U8054</b>	
EV260B 10B, G ½	<b>032U8055</b>	
EV260B 15B, G ½	<b>032U8056</b>	
EV260B 20B, G ¾	<b>032U8057</b>	



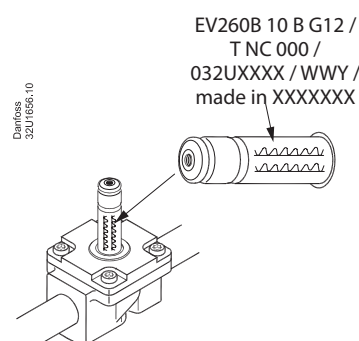
- Forsyningsspænding: 24 V d.c.  
(dobbeltenstrettet, uglattet a.c.)
- Supply voltage: 24 V d.c.  
(full-wave rectified unsmoothed a.c.)
- Versorgungsspannung: 24 V d.c.  
(dobbelgleichgerichtete, ungeglättete a.c.)
- Tension d'alimentation: 24 V c.c.  
(c.a. à deux alternances redressées, non lissé)

### Proportional solenoid valve, Type EV260B Spare parts

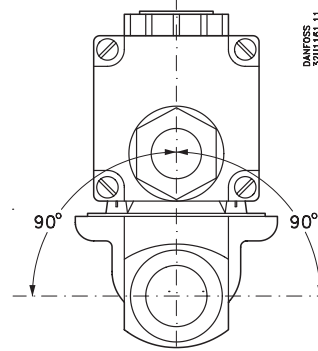
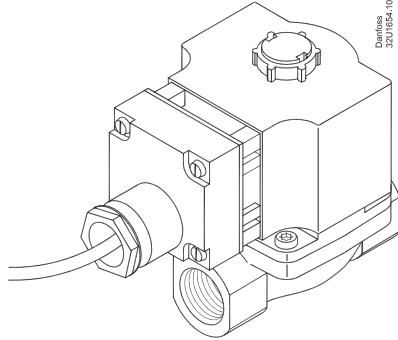
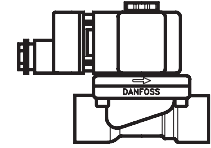


### Signalomsætter incl. spole Signal converter with coil Signalwandler mit Spule Convertisseur de signaux avec bobine

Type	Styreenhed Control signal	Best. nr. Code no.
Type	Steuersignal	Best.- Nr.
Type	Signal de commande	N° de code
ESIC (BM024D)	0,5 → 10 V	<b>018Z0290</b>
ESIC (BL024D)	4 → 20 mA	<b>018Z0291</b>



## Proportional solenoid valve, type EV260B 6B - 20B with signal converter, type ESIC

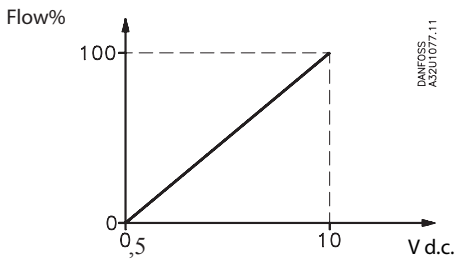


### Pilot signal 0 - 10 V

Valve	Code no.	Coil
EV260B 6B, G ¼	<b>032U8052</b>	<b>018Z0290</b> type BM024D (inkl./incl./mit/avec signal converter)
EV260B 6B, G ⅜	<b>032U8053</b>	
EV260B 10B, G ⅜	<b>032U8054</b>	
EV260B 10B, G ½	<b>032U8055</b>	
EV260B 15B, G ½	<b>032U8056</b>	
EV260B 20B, G ¾	<b>032U8057</b>	

### Pilot signal 4 - 20 mA

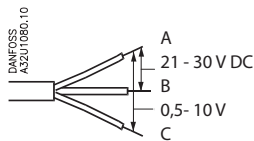
Valve	Code no.	Coil
EV260B 6B, G ¼	<b>032U8052</b>	<b>018Z0291</b> type BL024D (inkl./incl./mit/avec signal converter)
EV260B 6B, G ⅜	<b>032U8053</b>	
EV260B 10B, G ⅜	<b>032U8054</b>	
EV260B 10B, G ½	<b>032U8055</b>	
EV260B 15B, G ½	<b>032U8056</b>	
EV260B 20B, G ¾	<b>032U8057</b>	



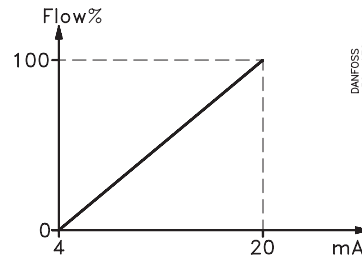
- A** Blå (neutral) fælles nul  
Blue (neutral) common neutral  
Blau (neutral) Sammel Null  
Bleu (neutre) commun

- B** Brun  
Brown  
Braun  
Brun

- C** Sort  
Black  
Schwartz  
Noir



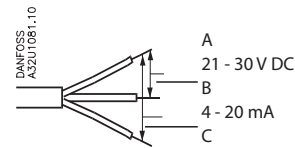
Gul / grøn ledning bruges ikke  
Yellow / green lead not used  
Die gelb / grüne Leitung wird nicht verwendet  
Jaune / vert: fil disponible



- A** Blå (neutral) fælles nul  
Blue (neutral) common neutral  
Blau (neutral) Sammel Null  
Bleu (neutre) commun

- B** Brun  
Brown  
Braun  
Brun

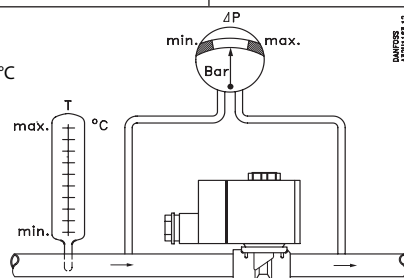
- C** Sort  
Black  
Schwartz  
Noir



Gul / grøn ledning bruges ikke  
Yellow / green lead not used  
Die gelb / grüne Leitung wird nicht verwendet  
Jaune / vert: fil disponible

T: -25 → 50 °C

T: -10 → 80 °C



Δp

EV260B 6B	0.5 → 10 bar
EV260B 10B	0.5 → 10 bar
EV260B 15B	0.5 → 10 bar
EV260B 20B	0.5 → 10 bar