

LIMITED WARRANTY

The DS-824C is warranted against defects in workmanship and materials for two years from date of sale. This warranty does not apply to damage resulting from accident, misuse, or alteration nor where connected voltage is more than 5% above the configured operating voltage, nor to equipment improperly installed or wired or maintained in violation of this Owner's Manual. No other written or oral warranty applies. No employee, agent, dealer or other person is authorized to give any warranties on behalf of DANFOSS.

Units returned for warranty repair cannot be modified from shipped condition and leads must protrude a minimum of 6 inches from the base conduit hub. Repair costs of a modified unit will be quoted as the unit must be returned to the original, unmodified condition prior to return shipping. The customer shall be responsible for all costs incurred in the removal or reinstallation and shipping of the product for repairs. Within the limitations of this warranty, inoperative units should be returned, freight prepaid, to DANFOSS, and we will repair or replace, at our option, at no charge to you with return freight paid by DANFOSS. It is agreed that such repair or replacement is the exclusive remedy available from DANFOSS and that DANFOSS IS NOT RESPONSIBLE FOR DAMAGES OF ANY KIND, INCLUDING INCIDENTAL AND CONSEQUENTIAL DAMAGE. Some states do not allow the exclusion or limitation of incidental or consequential damages so the above exclusion may not apply to you. The warranty gives you specific legal rights, and you may also have other rights which vary from state to state.



DANFOSS ELECTRIC HEATING DIVISION
TOLL FREE: 1-888-DANFOSS (326-3677)

Option #3 for heating

FAX: 416-352-5981

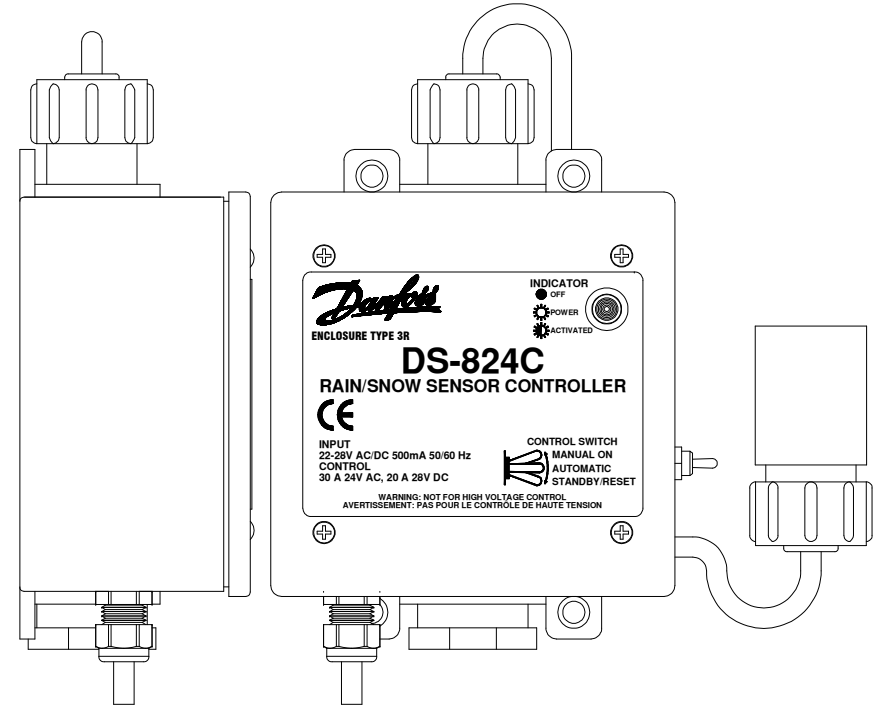
Visit us on the Internet at: heating.danfoss.us



CAUTION: Read all instructions carefully before installation.
Save this Installation Manual for future reference.

DS-824C

RAIN/SNOW SENSOR CONTROLLER INSTALLATION MANUAL



Danfoss Electric Heating Division

General Safety Instructions

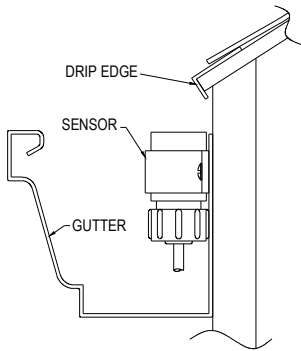
1. **THIS UNIT SHOULD BE INSTALLED, OPENED, AND REPAIRED BY QUALIFIED PERSONNEL ONLY!**

CETTE UNITÉ DEVRAIT ÊTRE INSTALLÉE, OUVERTE, ET RÉPARÉE PAR LE PERSONNEL QUALIFIÉ SEULEMENT!

2. To avoid shock hazard do not open the front cover with power connected to the DS-824C or any controlled equipment. Limit input voltage to 22-28 VAC/VDC

Pour éviter la décharge électrique déconnectez toute la puissance avant d'ouvrir la couverture du DS-824C. Limiter la tension d'entrée à 22-28 VAC/VDC

Moisture Sensor Mounting & Termination



The remote DS-824C precipitation/moisture sensor may be mounted in a number of ways depending on the application. The sensor head operates at a safe 12VDC and can withstand immersion in water. For roof and gutter deicing applications the sensor head may be mounted against the back of the gutter with a 1" "C"-style conduit clamp. Allow part of the sensor grid to be exposed to snowfall. The sensor will initially trigger when snow starts falling and will remain triggered as long as the roof/gutter heater continues to drip melted snow from the roof edge when temperatures are below freezing. The sensor may also be installed inside and near the top of the downspout using a 1" conduit hanger and mounting plate. As water is melted in the gutter it will run to the downspout, hitting and retriggering

the sensor. We do not recommend laying the sensor on its side in the gutter. Constant immersion will corrode the grid and the sensor may miss a windblown snow trigger.

The sensor cable comes preinstalled but may be shortened as needed. Strip the outer insulation and shield from the cable and terminate each conductor following the color code printed on the circuit board for TB-1; (W)hite, (G)reen, (R)ed, (B)lack. The bare drain wire should be installed into the (S)hield terminal. Tighten the strain relief on the DS-824C enclosure. If additional length is required purchase the EX-50 50 foot extension cable. Erratic operation may result if the proper cable is not used.

Selecting a Mounting Location for the DS-824C Enclosure

The brass cylinder protruding from the bottom of the enclosure is the temperature sensor. For proper temperature detection the DS-824C **must be mounted outdoors**, away from furnace vents and other sources of heat. Note that, when powered, the DS-824C moisture grid will always remain hot. This is normal. This allows the sensor to continuously melt snow and evaporate both rain and snow from the grid.

The DS-824C can be mounted by screwing the base conduit hub onto an appropriate size free-standing conduit or by using the mounting holes in each corner of the enclosure.

External Control/Monitor Operation

Pin	Color	Function
1	White	GND/Common
2	Red	Deice On Mon A
3	Orange	Deice On Mon B
4	Black	Manual On
5	Green	Standby/Reset

The DS-824C provides external control/monitor capability. Shielded cable can be connected to TB2 to access this feature. Connecting Black (4) to White (1) will activate the "Manual On" function. Connecting Green (5) to White (1) will activate the "Standby/Reset" function. See the "Manual Override Switch Function" for a description of these modes. The Red/Orange (2/3) leads are connected to an internal low power monitor relay.

This relay, rated at 24 VAC/VDC at 400 ma, will close with the load relay and can be used to externally monitor activation of the sensor. This terminal block is also the connection point for installing a CDP-2 interface cable.

Power & Activation Indicator

A green lamp shines through a lens on the cover of the DS-824C to indicate operational status. If this lamp is **OFF** the DS-824C is not receiving power. If this lamp is steady **ON** the DS-824C is powered but not triggered. If this lamp is **FLASHING** the DS-824C is powered on and triggered, the main relay is closed, and attached equipment should be activated. Note that, even though snow or rain may have stopped, the DS-824C indicator will continue to flash during the Delay-Off drying cycle.

Preseason Snow Detection Testing

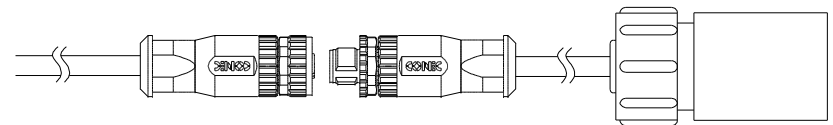
It is always a good idea to test the operation of the DS-824C prior to the winter season. Procure some clean water and, if the outdoor temperature is above the trigger point, a can of spray component cooler. Clean the moisture grid following the procedure outlined above and allow it to dry. Apply power to the DS-824C, drip some of the water onto the moisture grid, then spray the temperature sensor protruding from the base of the enclosure with the component cooler. Once the temperature sensor has reached the trigger point with water still present on the grid the DS-824C will activate. The user should hear the internal control relay close and see the green lamp blink. Proper operation has been confirmed. Allow the grid to dry completely. To clear the Delay-Off timer place the override switch into "Standby/Reset", and then back to the "Automatic" position.

Moisture Grid Maintenance & Replacement

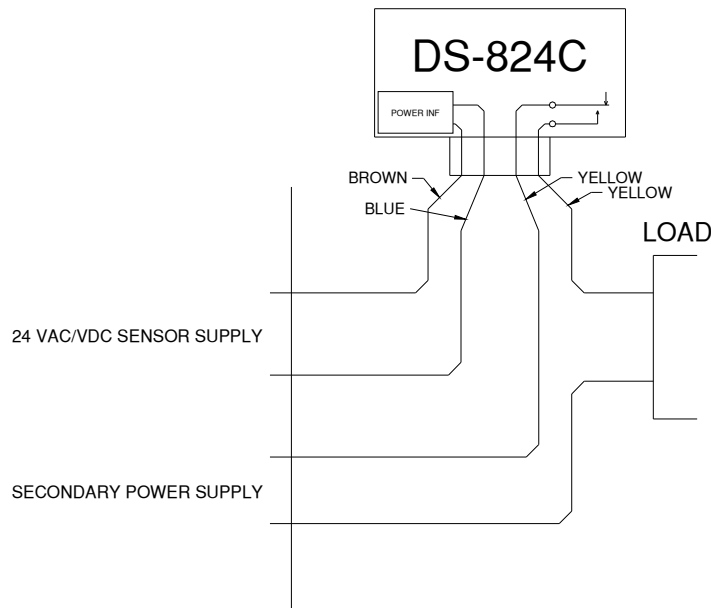
It is recommended that the DS-824C be powered down and the grid wiped clean with clear water at least once every 4 months. Heavy deposits may be removed using a non-metallic scouring pad (Scotch-Brite™ or equivalent.) However, after a number of years, the corrosive elements left behind when water is evaporated out of the moisture grid will eventually damage the grid rings. The moisture grid can be easily replaced by ordering and installing an MG-6 "Moisture Grid Assembly." Reference the "Moisture Sensor Mounting & Termination" section for information on replacing the precipitation grid.

Use Care When Replacing the Front Cover. Do Not Pinch the Gasket or Overtighten the Screws.

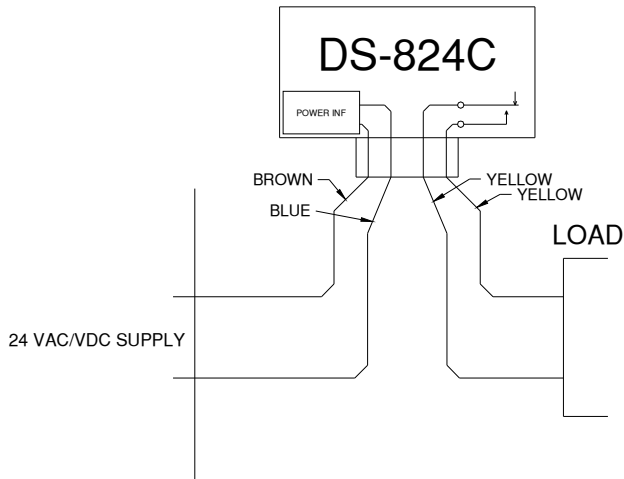
Maintain your enclosure's integrity and improve reliability



Specify the DANFOSS EX-50 when precipitation sensor extension is required



24 VAC/VDC Sensor Supply, Secondary Voltage Out



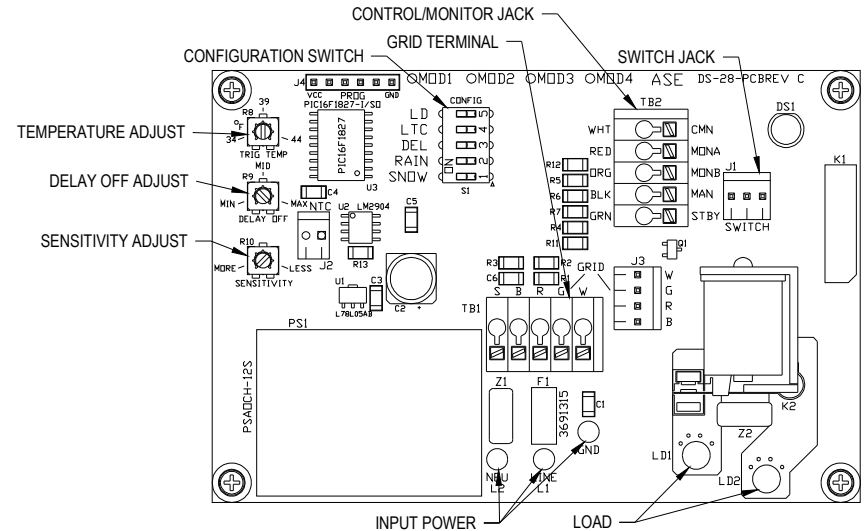
24VAC/VDC Sensor Supply, Dry Contact Thermostat-Style Control

These are just some of the possible wiring schemes that can be used to connect the DS-824C to your load for control. Remember, these are only suggestions. **You should always consult a qualified electrician or inspector to assure conformance with applicable local and national electrical codes! Remember, this device is designed for low voltage use only!**

**DO NOT DRILL HOLES THROUGH THE ENCLOSURE FOR MOUNTING!
NE FONT PAS LES TROUS DE FORET PAR LA BOÎTE POUR LE SUPPORT!**

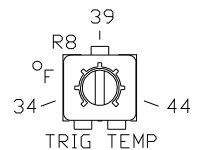
This can allow water into the enclosure. It is recommended that a weatherproof conduit or junction box be mounted below the DS-824 for termination of the power and load pigtails to the building wiring.

Use Care When Replacing the Front Cover. Do Not Pinch the Gasket or Overtighten the Screws.



Setting the Configuration Switches and Adjustments

The following paragraphs and table outline the operating modes for the DS-824C and explain the functions of the adjustments. Trigger temp (TT) is adjustable from 34°F-44°F (1°C-6°C) using the TRIG TEMP control. When ambient air temperature (AT) is below this setting precipitation is assumed to be snow. When above this setting, precipitation is assumed to be rain.

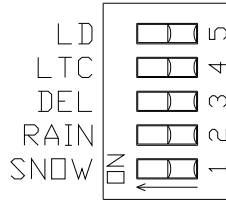


The DEL configuration switch activates the Delay-Off drying cycle timer on the DS-824C. The timer allows the DS-824C to continue to operate and dry the heated surface through evaporation once precipitation has stopped. The drying cycle reduces the chance of moisture left behind refreezing into ice. This timer is restarted by each sensor trigger. Therefore, the DS-824C will continue to operate as long as it is triggered, then for the Delay-Off period once the trigger clears. All "sensor" modes (DEL off) provide a 2 minute Delay-Off time. When in "controller" mode (DEL on) the Long Delay (LD) configuration switch determines the time span of the drying cycle. The Delay-Off time can be adjusted from 30-90 minutes (LD Off) or 2-6 hours (LD On) using the DELAY OFF control.

The DS-824C precipitation sensor is very sensitive and can detect a single snow flake or rain drop. However, if the DS-824C is mounted in an area susceptible to high winds, overhanging trees, or blowing ground snow, nuisance triggering may occur. While proper placement is the best remedy, the SENSITIVITY control can also be used to reduce nuisance triggering. An internal timer checks the precipitation sensor for moisture and compares cleared time with triggered time.

The highest sensitivity setting (toward MORE) triggers on first detection. As the control is adjusted clockwise precipitation must be detected for a longer period to be considered valid. The lowest sensitivity setting (toward LESS) requires 120 seconds of detection before the unit triggers. If a trace amount of snow blows onto the grid from a drift or overhang it will likely be melted and evaporated in less than a minute. Similarly, a very light snowfall may also clear quickly from the grid. If these conditions should be ignored by the sensor the SENSITIVITY control can be adjusted as required. However, to prevent non-triggering during a true event, it is recommended that **the user start at highest sensitivity (MORE), then adjust while monitoring operation over time.**

The Low Temperature Cutoff (LTC) option is typically used on snow melting systems with limited output capacity where melting cannot be maintained at very low temperature. If selected, the snow sensor will clear a trigger below 5°F (-15°C) even if snow is still falling. It will resume normal operation above 9°F (-13°C). However, the sensor will remember if it was triggered before the drop below 5°F or if snow was detected during the cold period. If so, the sensor will execute one Delay-Off cycle when the temperature rises above 9°F in order to melt any snow left behind during the cold period. This is referred to as **RECOVER** mode. **Care should be exercised in using this mode as the potential exists for ice to be formed on the melting surface.**



THE UNIT MUST BE IN STANDBY/RESET TO CHANGE CONFIGURATION SWITCHES

L'appareil doit être en mode STANDBY/RESET pour modifier commutateurs de configuration

Recommended Switch Settings by Function

Function	Trigger	LD Off	LD On	LTC	DEL	RAIN	SNOW
Snow sensor w/o LTC	TT>AT	2 Min	2 Min	OFF	OFF	OFF	ON
Snow sensor w/LTC	TT>AT>5°F	2 Min	2 Min	ON	OFF	OFF	ON
Snow controller w/o LTC	TT>AT	30-90 Min	2-6 Hr	OFF	ON	OFF	ON
Snow controller w/LTC	TT>AT>5°F	30-90 Min	2-6 Hr	ON	ON	OFF	ON
Precipitation sensor	Not Used	2 Min	2 Min	X	OFF	ON	ON
Precipitation controller	Not Used	30-90 Min	2-6 Hr	X	ON	ON	ON
Rain sensor	AT>TT	2 Min	2 Min	X	OFF	ON	OFF
Rain controller	AT>TT	30-90 Min	2-6 Hr	X	ON	ON	OFF
LT thermostat w/o LTC	TT>AT	2 Min	2 Min	OFF	X	OFF	OFF
LT thermostat w/LTC	TT>AT>5°F	2 Min	2 Min	ON	X	OFF	OFF

X = Do Not Care

Fine Adjustment for Efficient Operation

The DS-824C is shipped with the TRIG TEMP and DELAY OFF adjustments in the center position, representing 39°F (3.9°C) and 60 minutes of Delay-Off time respectively. It is also set for highest

SENSITIVITY. Depending on local conditions the user may find that fine adjustment of the controls may provide more satisfactory operation. If the sensor does not trigger during very wet snows the trigger temperature may need to be adjusted higher. Constant triggers from snow falling from trees or overhangs may be reduced by adjusting SENSITIVITY. The Delay-Off time can also be adjusted to provide clean melt-off without excessive running time. Fine adjustment can both save operating expense and provide more reliable operation. However, to keep reliability high, always make adjustments in small increments.

Use Care When Replacing the Front Cover. Do Not Pinch the Gasket or Overtighten the Screws.

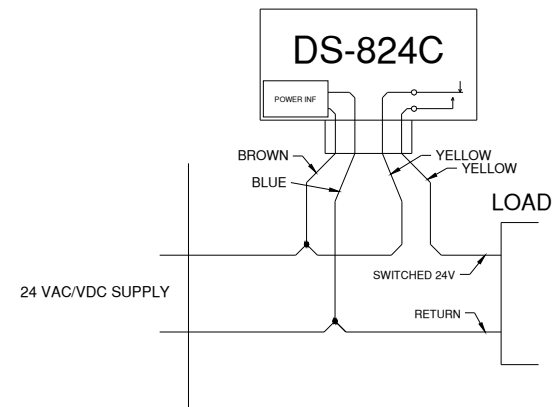
Manual Override Switch Operation

An override switch mounted on the side is provided for testing and special operational requirements. Placing the switch in the AUTOMATIC position will allow the sensor to operate normally, activating the controlled equipment as needed. Placing the switch in MANUAL ON will close the load relay, activating the controlled equipment. The "STANDBY/RESET" position prohibits triggering of the unit, clears any active delay timer, and opens the load relay. In order to reduce excessive runtime for the heater the **"Manual On" mode will remain in effect for up to 40 hours, then return to "Automatic" mode, even if the switch is still in the "Manual On" position. However, any trigger of the system will restart the 40 hour "Manual On" timer.** You may put the DS-824C back into "Manual On" mode by switching to AUTOMATIC, then back to MANUAL ON. This will also restart the 40 hour timer. **If the override switch is placed in MANUAL ON for less than 2 seconds, then switched back to AUTOMATIC the controller will execute one Delay-Off cycle.** This can be used to clear a frost, hail, or drifted snow buildup without the danger of leaving the system in a continuous "Manual On" condition. "Standby/Reset" can still be used to clear this Delay-Off cycle.

Typical Load Wiring

The Yellow load leads are N.O. contacts and do not supply power directly to your load

The relay inside the DS-824C acts as a switch. While not as convenient as directly supplying power for the load this allows you to operate the DS-824C from one voltage while controlling a load of a different voltage without adding an external relay or contactor. For example, the DS-824C can be powered from 24VAC but can directly control a 12VDC signal for a contactor coil or provide a dry contact thermostat-style closure for a boiler. The following diagrams show some possible wiring schemes for connecting the DS-824C.



24VAC/VDC Sensor Supply, Supply Voltage Out