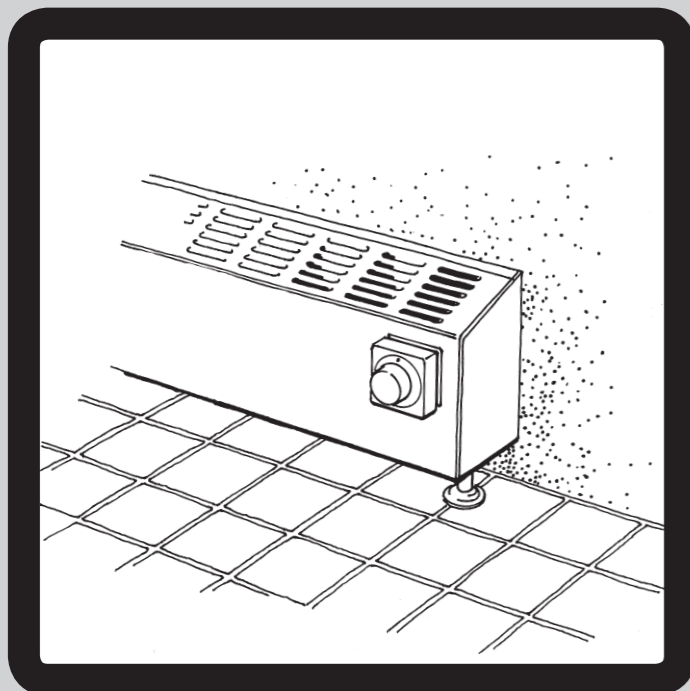
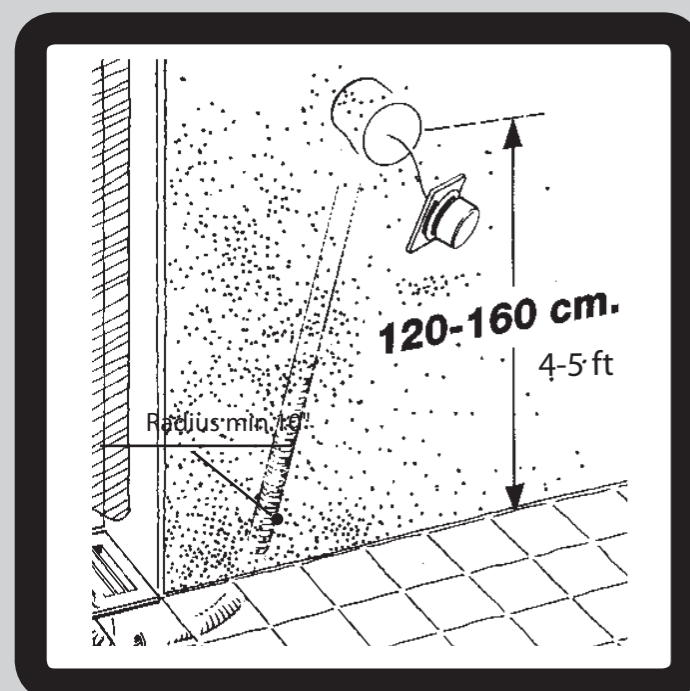
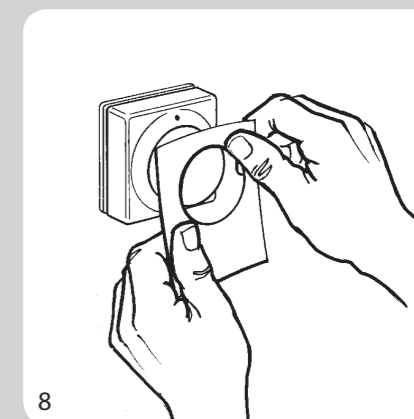
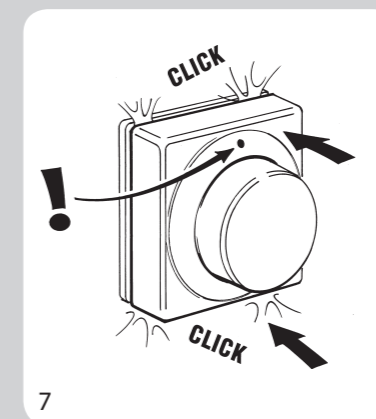
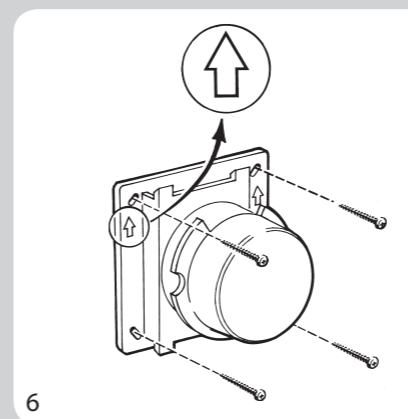
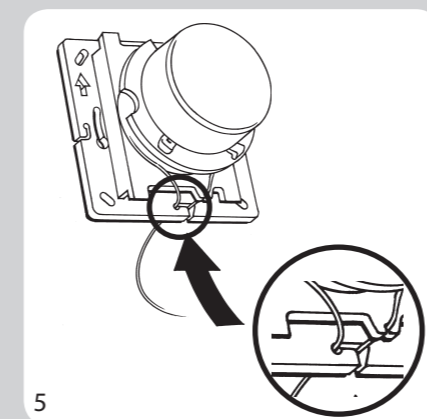
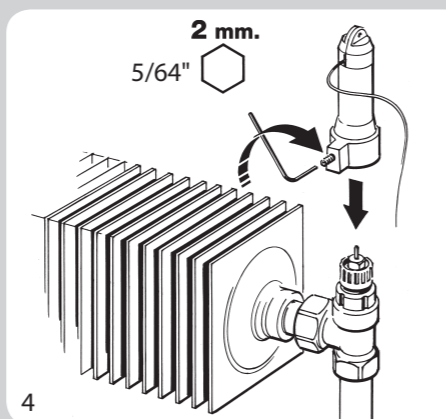
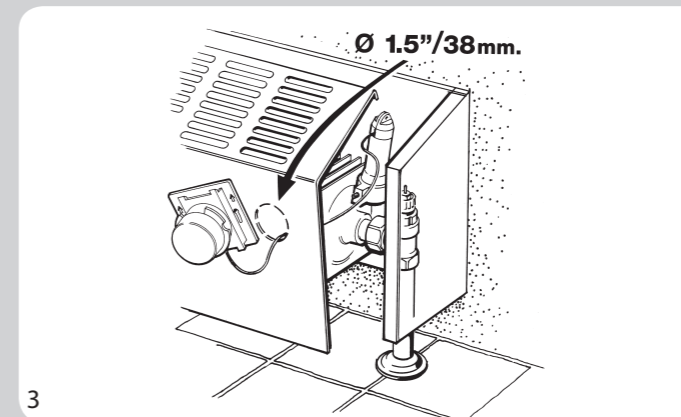
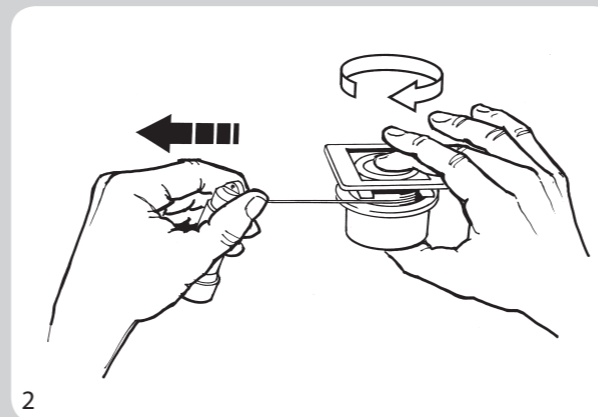
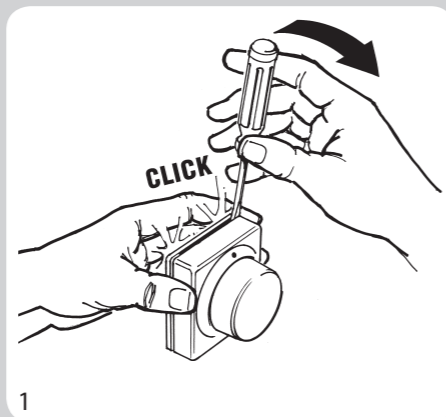


013R9223

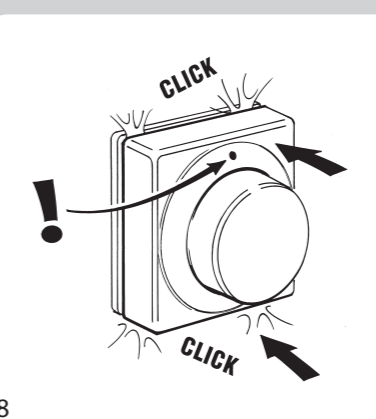
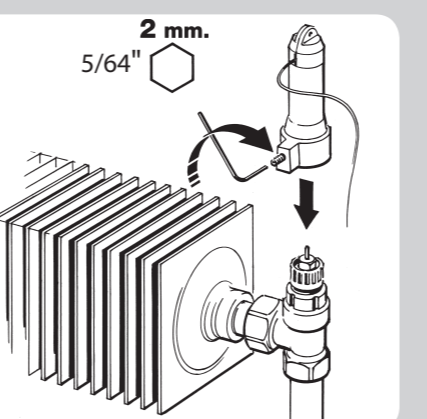
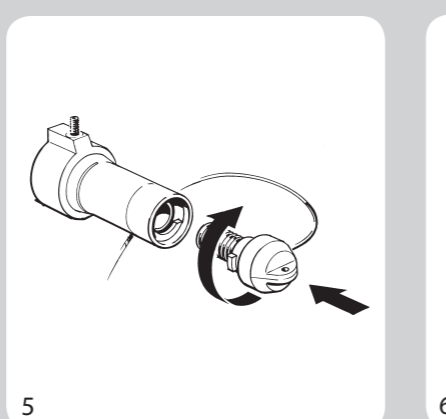
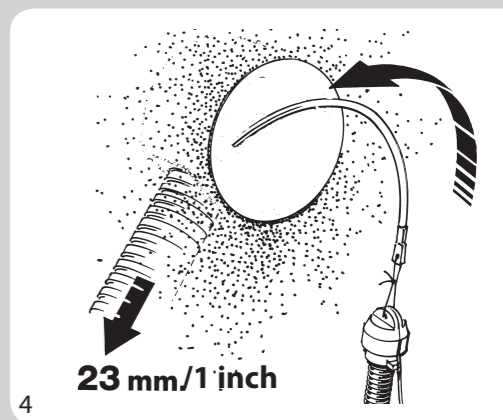
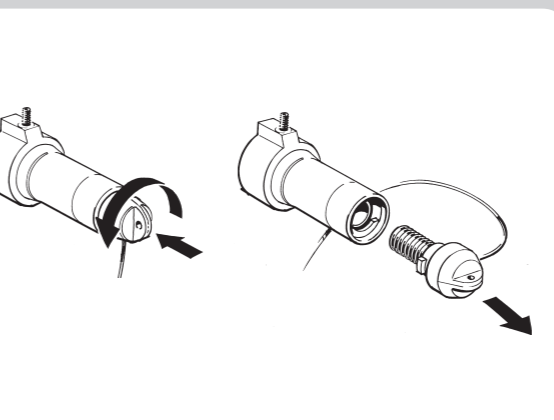
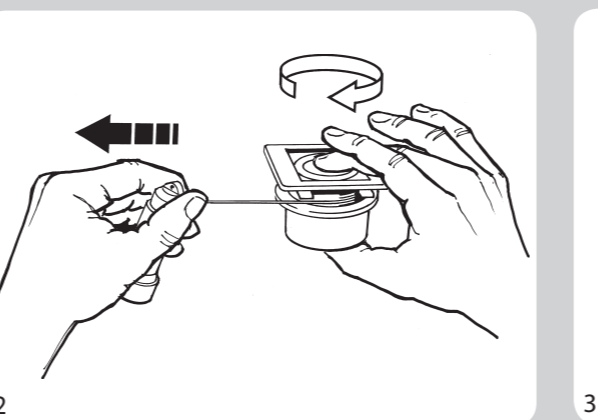
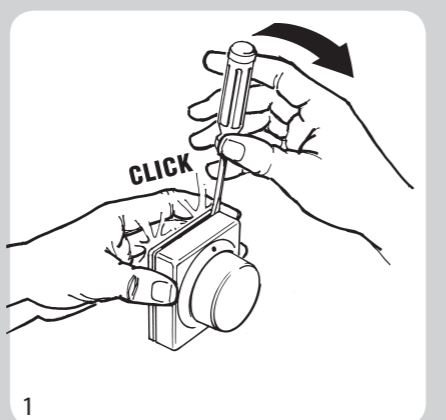
013R9223



Mounting on convector with Danfoss RA 2000 valve



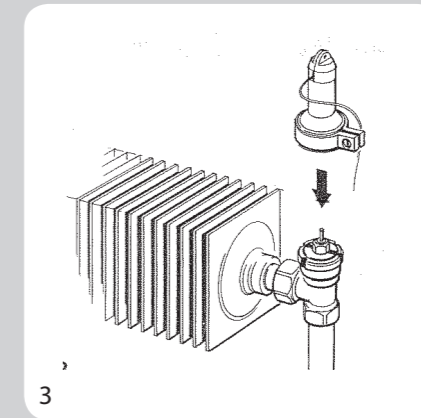
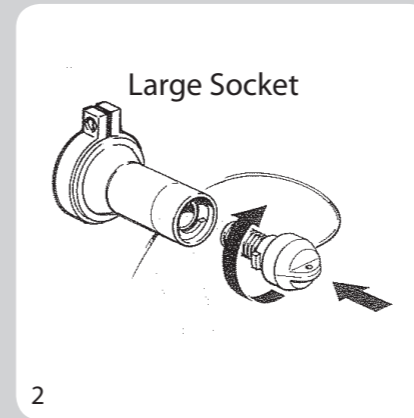
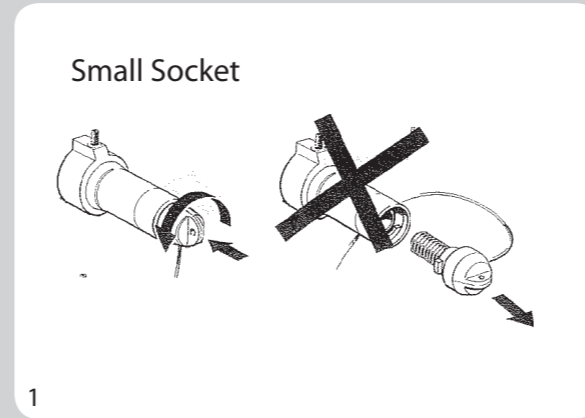
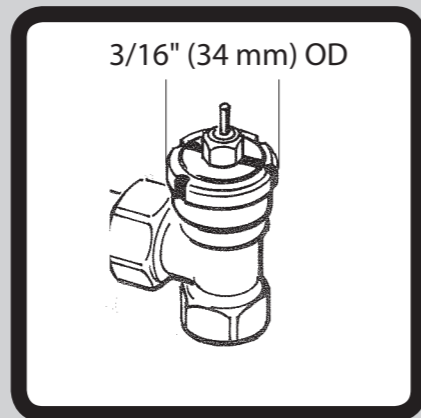
Installing operator through conduit with Danfoss RA 2000 valve



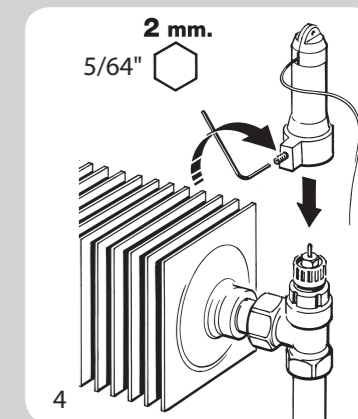
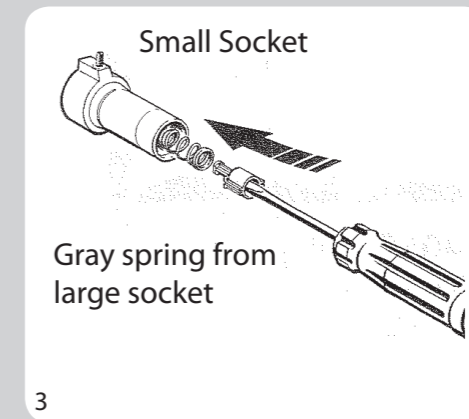
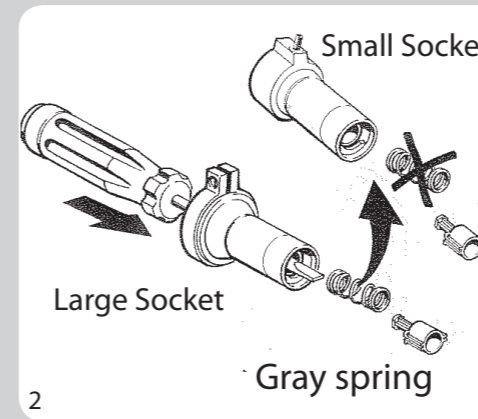
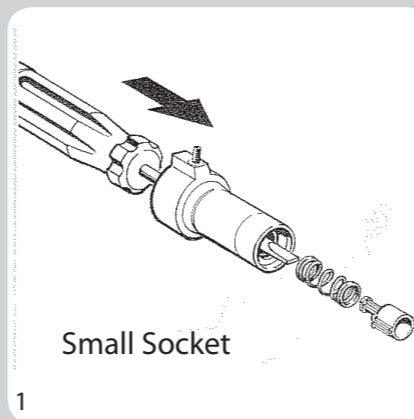
Danfoss
Toronto, Baltimore
Toll Free: 866-375-HVAC (4822)
www.na.heating.danfoss.com

INSTRUCTIONS

If this operator is being installed on a RAV, VMT or KOVM valve, it is necessary to replace the pre-attached small socket with the large socket included in product package.
RAV/VMT/KOVM valves have a larger operator connection than RA 2000 valves.

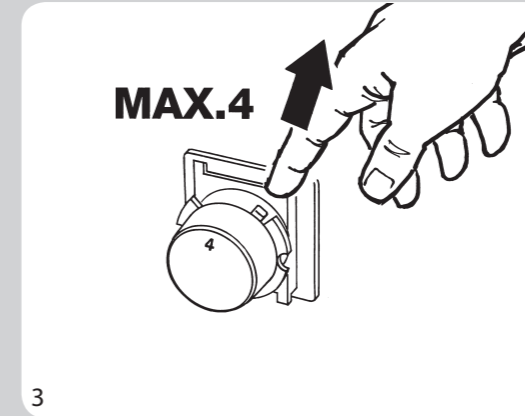
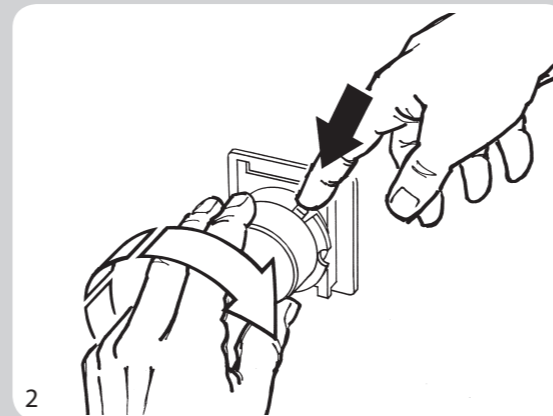
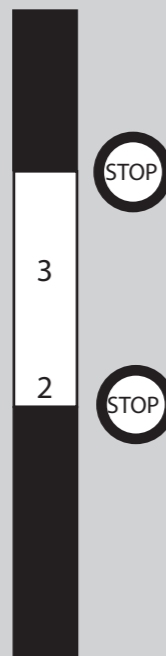


If this operator unit is being installed on a RA valve fitted with a RA to RA 2000 adapter (013G8070), the socket spring must be replaced with the gray spring from the large socket included in the product package.

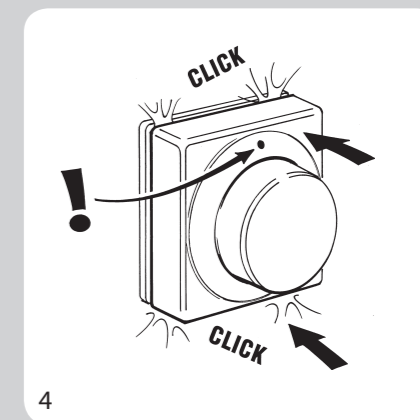
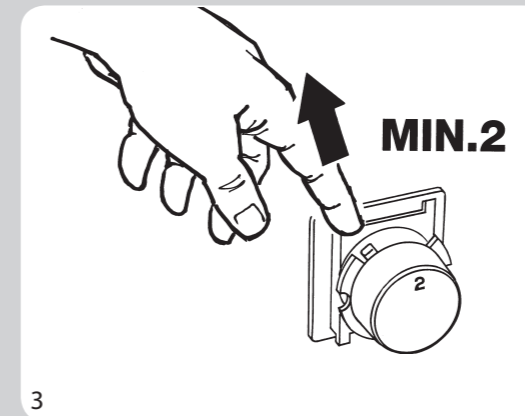
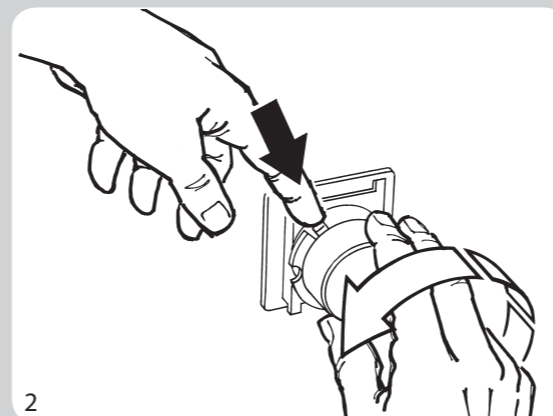


Limiting and blocking the setting range

Upper limit setting (max. setting)



Lower limit setting (min. setting)



Locking setting is done by combining the upper & lower limiter settings