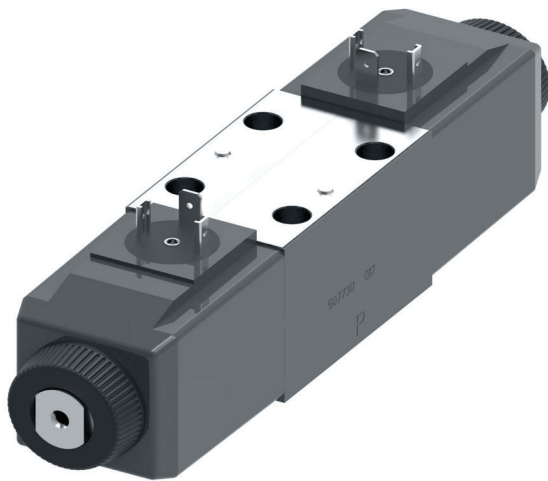


Fact Sheet

# Vickers® by Danfoss DG4V3 Directional Control Valves

Safe, reliable solutions conform to UL429 and CSA



## Committed to your **safety.**

Vickers by Danfoss offers UL recognized and CSA certified DG4V3 valves from Searcy, AR. The valve coils conform to UL 429 from Underwriters Laboratories Inc (UL), the industry standard for electrohydraulic valve safety which covers any valve that is 600 volts or less. In addition, DG4V3 valves are approved to carry the CSA Group mark, signifying that the valves have been tested against applicable North American standards.

DG4V3 coils have the reverse UR symbol and certification number (MH19333) for UL recognition, in addition to a CSA symbol on the label. If you need further support in your UL application or for further inquiries on part numbers, please reach out [imcproductsupport@danfoss.com](mailto:imcproductsupport@danfoss.com)

### Important notes:

- UL recognized valves must be ordered from Searcy, Arkansas USA. Any valves coming from Havant, UK are not UL recognized.
- Danfoss has UL Recognized coils on most of our DG4V3 valves, except for:
  - Valves that have a 160 bar tank port pressure
  - Mobile versions: DG4V3M
- CSA Certified valves need to be ordered with a EN21 code at the end of the model code

Look for the UR symbol  on our coils and

the CSA symbol  on our valve nameplates.

