



BOCK HA-LG compressor range for low temp applications



Low GWP

The °Clever Art of Cooling:
The solution for low-GWP HFO refrigerants

colour the world
of tomorrow

Low-GWP specialists for low temperature applications

The new range of semi-hermetic LG compressors - now also available in our air-cooled HA version

The „HA principle“ specially developed by BOCK - now also for low-GWP applications

Applications in low temperature generally place higher demands on any compressor. In the low-temperature range, the refrigerant mass flow is lower and is disproportionately heated by the drive motor. In addition, the HFO refrigerants such as 455A or R454C require significantly more know-how and engineering skills compared to the standard refrigerants - especially in terms of the driving gear. The reason: HFO refrigerants have a significantly higher solubility in the oil, which leads to a strong reduction of the oil viscosity and thus increases the susceptibility to compressor damage. For this reason, the BOCK engineers - based on their many years of experience in dealing with the technically demanding refrigerants CO₂ and hydrocarbons - have developed a special

driving gear for the new LG range, which makes the compressors „less sensitive“ to decreasing viscosity of the oil.

BOCK HA-LG compressors: the most efficient and the most reliable solution for low temp applications

The BOCK HA-LG compressors are the most efficient alternative for low temperature applications. The compressors operate with direct suction and the motor is air-cooled. The suction gas is not additionally heated by the motor, but is sucked in directly by the compressor without a diversion via the motor. The engine is cooled by a compact ventilation unit, which cools not only the engine itself but also the cylinder heads through targeted air cooling. This allows the discharge gas temperature to be reduced. The result: a significant increase in performance and an extension of the range of applications. And this in combination with our well thought-out LG principle.

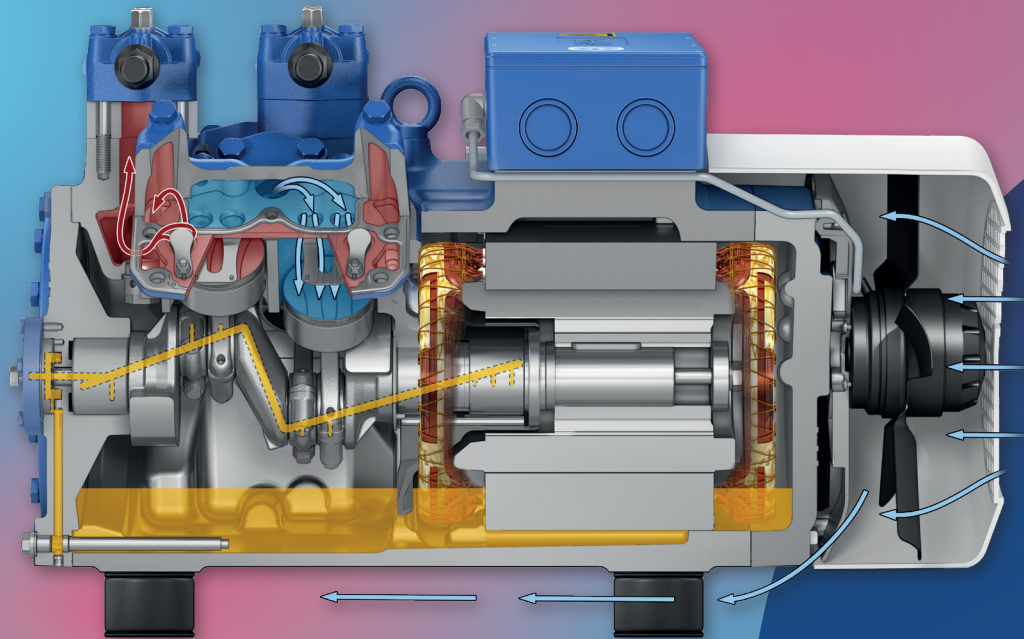
We call this: The "Clever Art of Cooling"



COMPRESSOR SELECTION PROGRAM

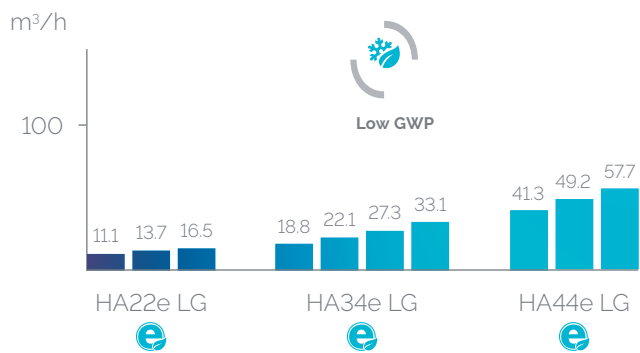
Current information on technical data, performance data, operating limits and much more can be done online via the BOCK compressor selection program (VAP): vap.bock.de



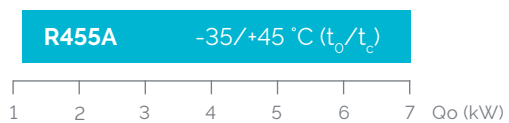


The current program

3 model sizes with 10 capacity stages
from 11.1 to 57.7 m³/h (50 Hz)



Cooling capacity R455A



Type key – adapted to worldwide requirements

HAX44e/665 **LT** **14** **LG**

- LG – Low-GWP
- HP – Code for motor size
- Motor application
- LT – motor for low temperature



BOCK is one of the world's technology and innovation leaders in the development of environmentally friendly, economical solutions in the field of refrigeration and air-conditioning technology, including heat pumps and heat recovery – with one of the world's largest portfolios of compressors for natural refrigerants such as CO₂ (R744), hydrocarbons and other low-GWP refrigerants.

BOCK

Bock GmbH

Benzstraße 7
72636 Frickenhausen
Germany
Tel +49 7022 9454-0
Fax +49 7022 9454-137
bock.de