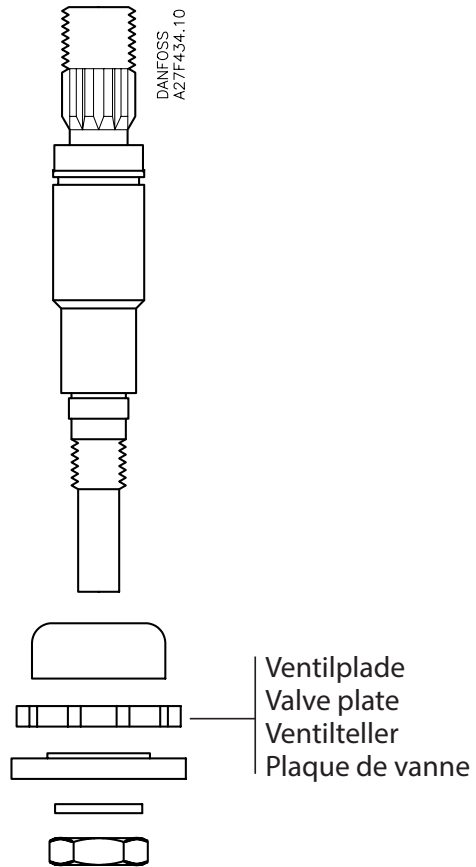


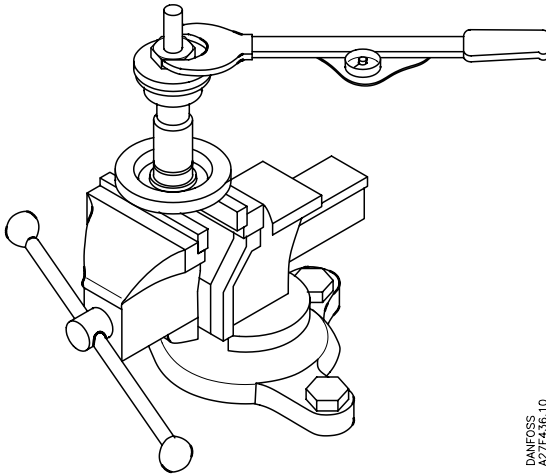
# Installation Guide

## Valve plate for PM, PML, PMFL/H

027R9501

027R9501





DANFOSS  
AZ7FA36:10

Ventilplade Valve plate Ventilteller Plaque de vanne	Ventil type Valve type Ventil Typ Type de vanne	Tilspændingsmoment Tightening torque Anzugsmoment Couple de serrage
<b>Code no.</b>		Nm
<b>027F0683</b>	PM 5-25, PMC 5-20 PMFL 200, PMFH 200	35 ±5
<b>027F0684</b>	PM 32 PMFL 300, PMFH 300	55 ±5 35 ±5
<b>027F0685</b>	PM 40, PML 32 PMFH 500	55 ±5 50 ±5
<b>027F0690</b>	PMFL 80 - 4, 5, 6, 7 PMFH 80 - 2, 4, 5, 6, 7	17 ±2