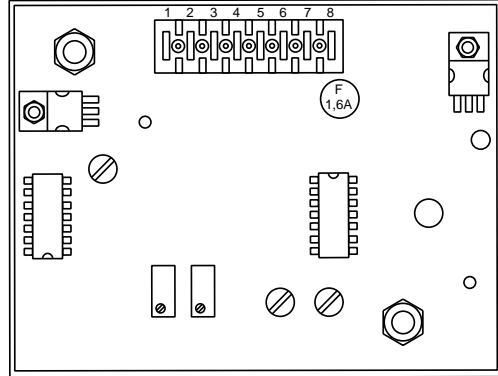


DESCRIPTION

The SAUER-SUNDSTRAND MCE127A1000 Proportional Amplifier is used to drive SAUER-SUNDSTRAND hydrostatic transmissions equipped with proportional magnets.

This MCE127A1000 Proportional Amplifier is equipped with a single output.



FEATURES

- Current sense PWM drive
- Reverse polarity and short circuit protected
- 12V_{DC} or 24V_{DC} supply voltage
- Withstands vibration and shock

ORDERING INFORMATION

Amplifier	Supply voltage	Id. No.
MCE127A1000	12V _{DC} or 24V _{DC}	501453

TECHNICAL DATA

SUPPLY VOLTAGE
10V_{DC} to 35V_{DC}, reverse polarity protected

OPERATING FREQUENCY
appr. 100Hz (adjustable 80 - 200Hz)

POWER LOAD
MIN: appr. 40mA
MAX: 1,6A

SWITCHING OUTPUT
Current source
Voltage and temperature compensated
Short circuit protected

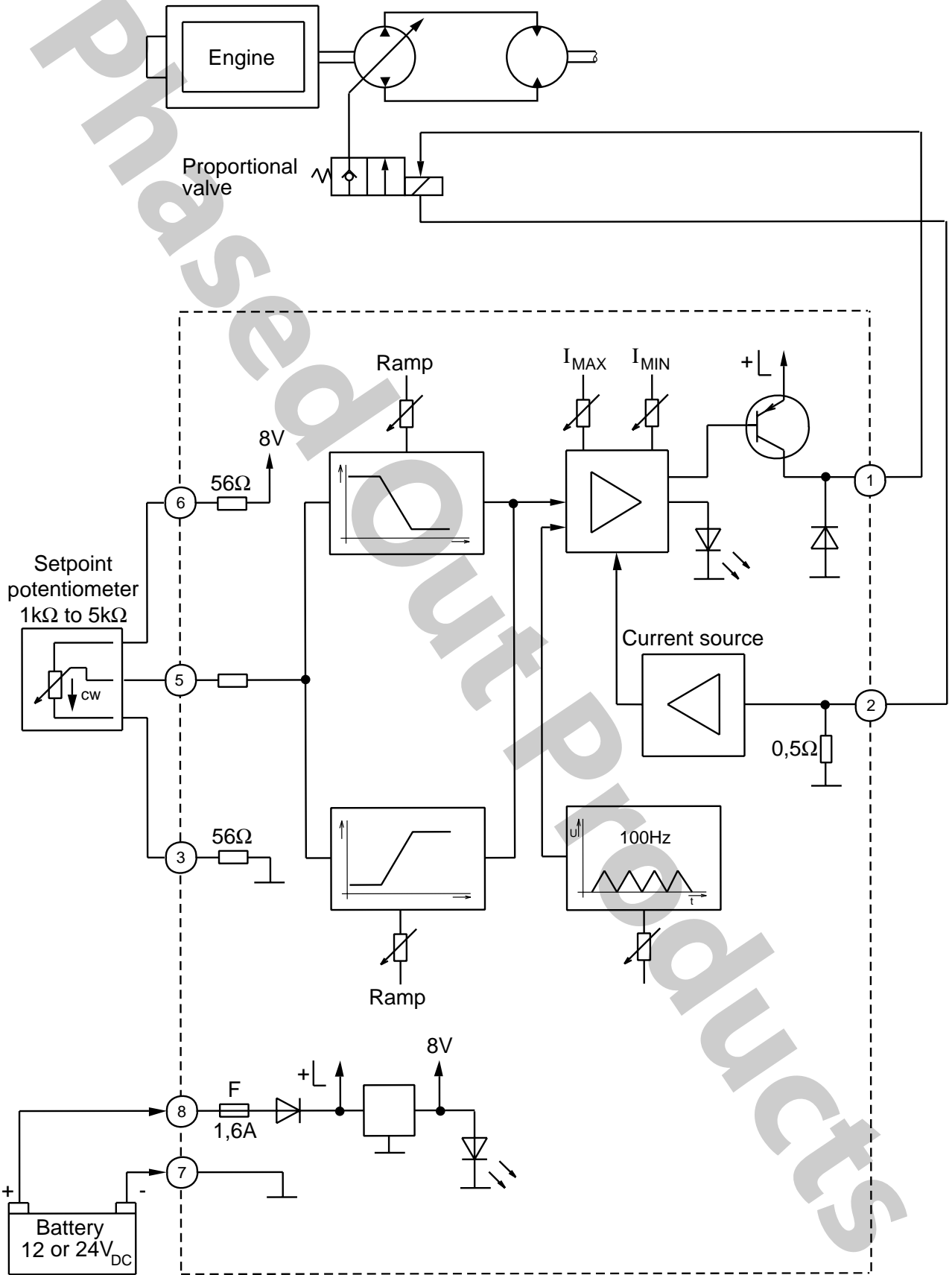
I_{MIN} ADJUSTABLE
0 to 600mA

INDICATIONS
1 LED red: power supply
1 LED green: valve power

I_{MAX} ADJUSTABLE
I_{MIN} to 1500mA

RAMP TIME
independent adjustable 0,5 to 10s

BLOCK DIAGRAM: unidirectional



S00926

THEORY OF OPERATION

The MCE127A1000 Proportional Amplifier allows the independent adjustment of the minimum output current I_{MIN} and the maximum output current I_{MAX} .

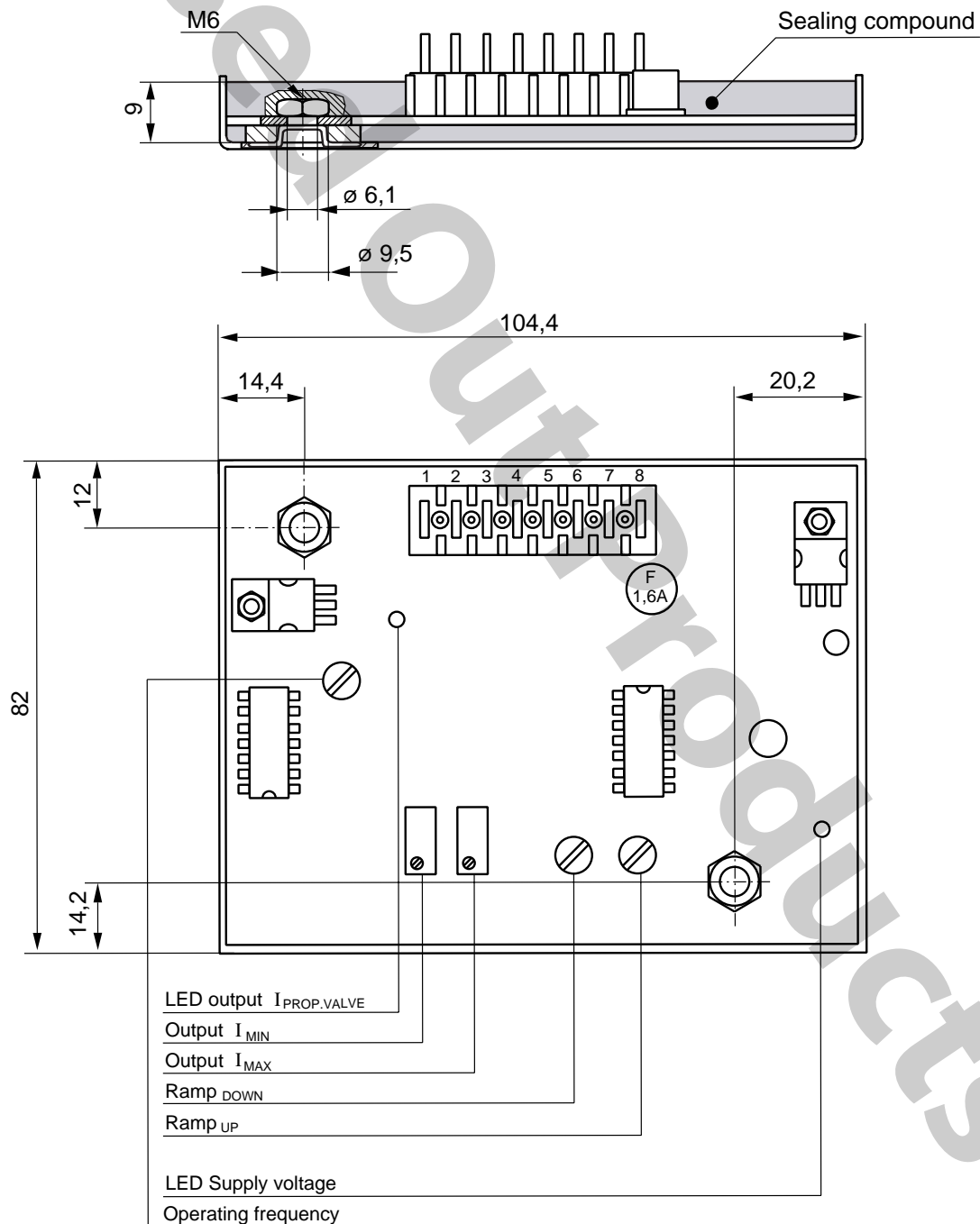
The ramp time t_{UP} and t_{DOWN} are adjustable independently also.

The external setpoint potentiometer sets the output current.

The operation frequency (standard 100Hz) is adjustable to tune the amplifier for a special valve.

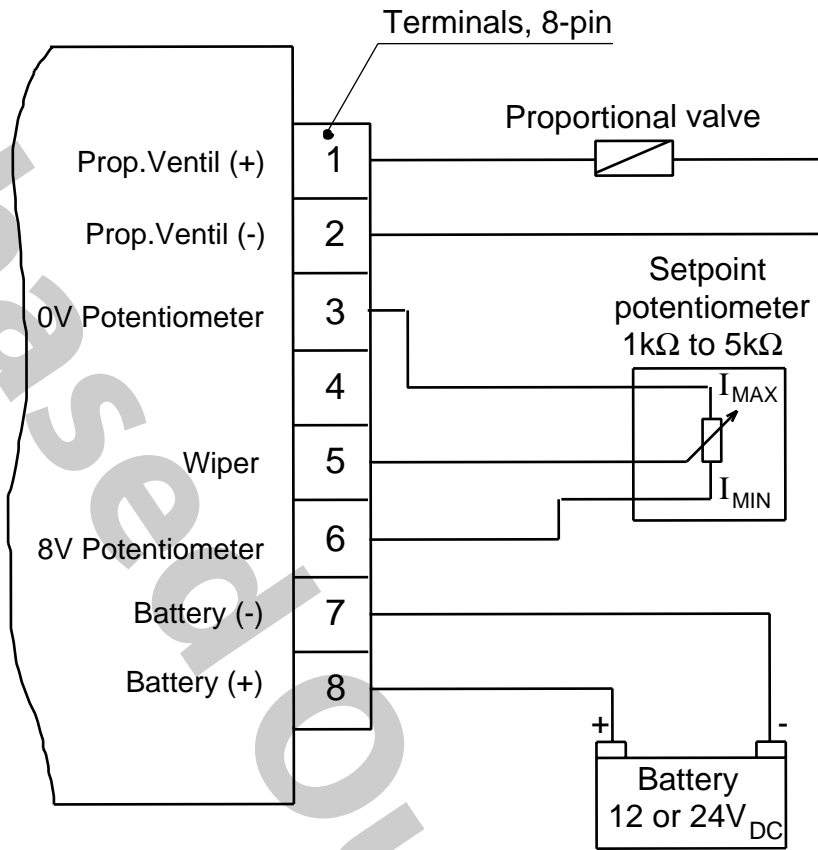
Two diagnostic LEDs show the presence of power supply and the status of the output stage.

DIMENSIONS



S00927

CONNECTION DIAGRAM: Proportional input



CONNECTION DIAGRAM: Switch input

