



3500 Annapolis Lane North, Minneapolis, MN 55447  
 Telephone: (763) 509-2084 Telefax: (612) 559-0108

# Unit Specification

## KE04107 Valve Drive Amplifier

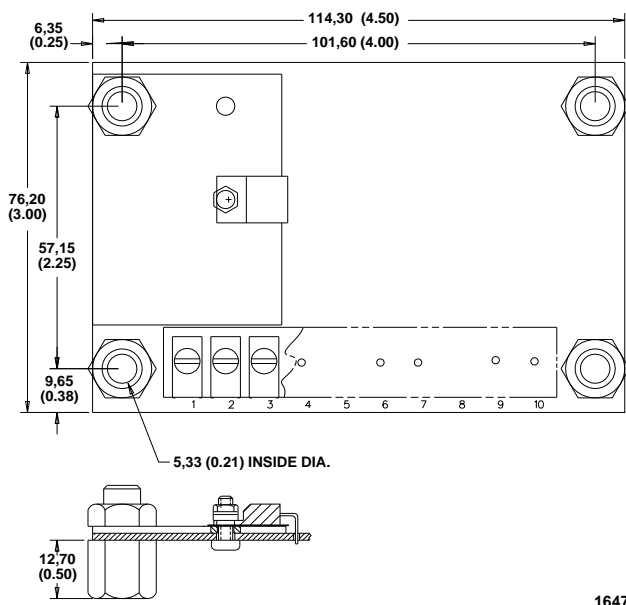
ISSUE: 2

DATE: September 1996

### GENERAL DESCRIPTION

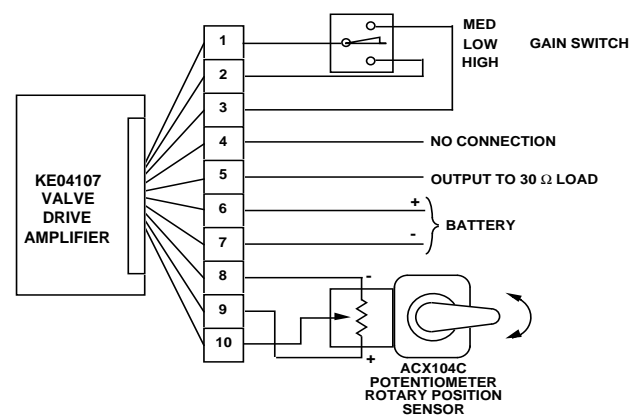
The device is a free-standing amplifier mounted on 4 standoffs. Voltage from a sensor potentiometer, through the amplifier, produces current to drive electrohydraulic actuators. Connections to the amplifier are via screw terminals with 3/16-inch quick-connects.

### DIMENSIONS



Dimensions of the KE04107 in Millimeters (Inches).

### CONNECTION DIAGRAM



POLARITY OF BATTERY CONNECTIONS MAY BE REVERSED TO CHANGE ACTION OUTPUT VERSUS SENSOR INPUT

GAIN SWITCH IS OPTIONAL. JUMPERS MAY BE USED IN PLACE OF SWITCH

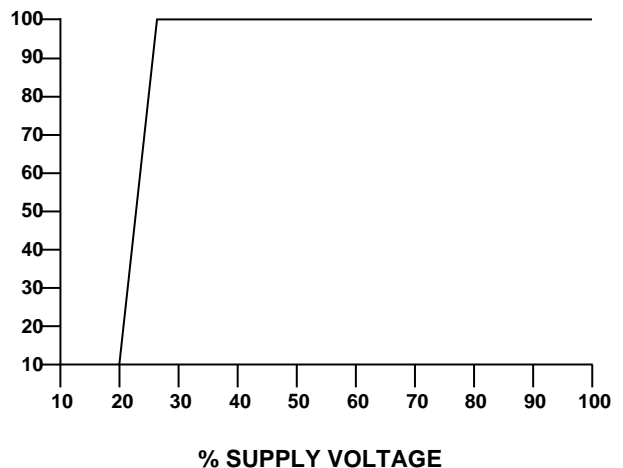
### OUTPUT CHARACTERISTICS

SUPPLY VOLTAGE  
12 Vdc (11 to 15 Volts)

TURN ON VOLTAGE  
20% of supply

MAXIMUM OUTPUT CURRENT  
100 mA nominal

% MAXIMUM  
OUTPUT VOLTAGE



1652A