



KE05

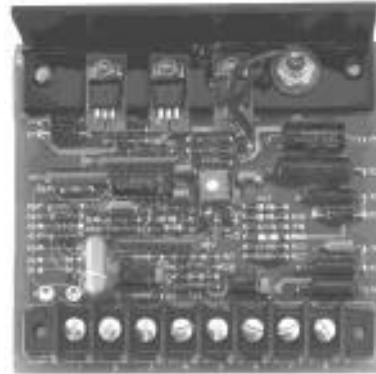
Time Proportional Amplifier Module

BLN-95-9021-2

Issued: June 1995

DESCRIPTION

The KE05 Time Proportional Amplifier Module provides automatic steering control on paving, curbing and planing machines. The KE05 receives a signal from an external potentiometer and outputs a control signal to a solenoid to position a screed, form or cutting drum.



TECHNICAL DATA

ELECTRICAL

OPERATING VOLTAGE
11 - 14 Vdc

OUTPUT CURRENT
3.5 amps, maximum

STANDBY CURRENT
100 mA, maximum

VOLTAGE MIDPOINT
Input null voltage shall be 4 Volts nominal when measured to the common on the PWB.

FREQUENCY
Within the proportional band the frequency of the output pulses is 3 ± 1 Hz.

ORDERING INFORMATION

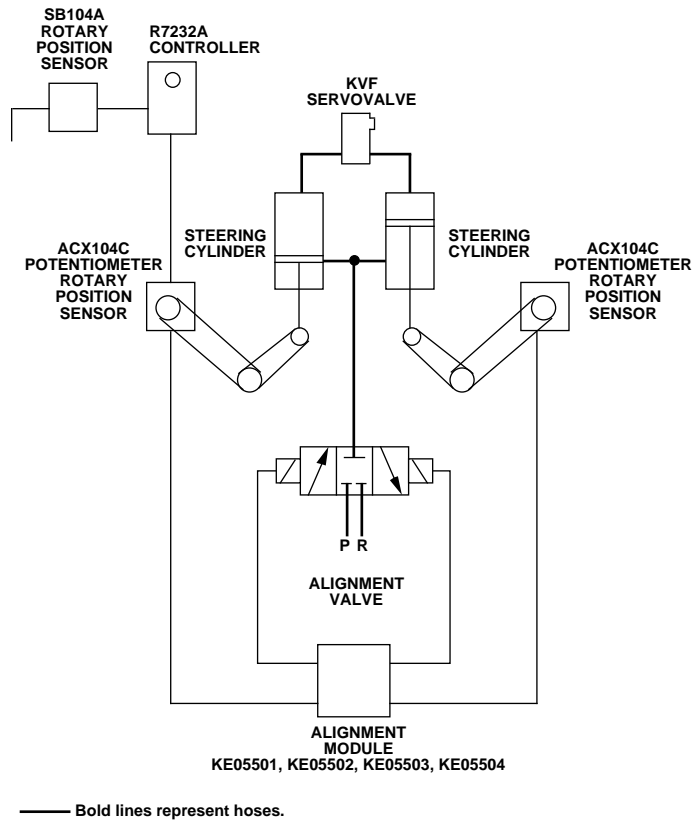
Order the KE05 per the information in Table A.

TABLE A. INFORMATION NECESSARY TO ORDER THE KE05 AMPLIFIER.

PART NUMBER	MAXIMUM DEADBAND (Vdc)	PROPORTIONING BAND		INPUT RATIO	GAIN	X TERM	R35,21
		TERM 5	TERM 6				
KE05501	.35	.25	.25	1:1	1X	No	100 Ohm
KE05502	.35	.25	.25	Nonlinear	1X	No	100 Ohm
KE05503	.47 (5) .25 (6)	.37	.21	2:1	1X	No	100 Ohm
KE05504	.16	.10± 50%	.10± 50%	1:1	5X	Yes	100 Ohm
KE05505	.35	.25	.25	1:1	1X	No	Jumpers
KE05506	.35	.25	.25	1:1	1X	No	100 Ohm

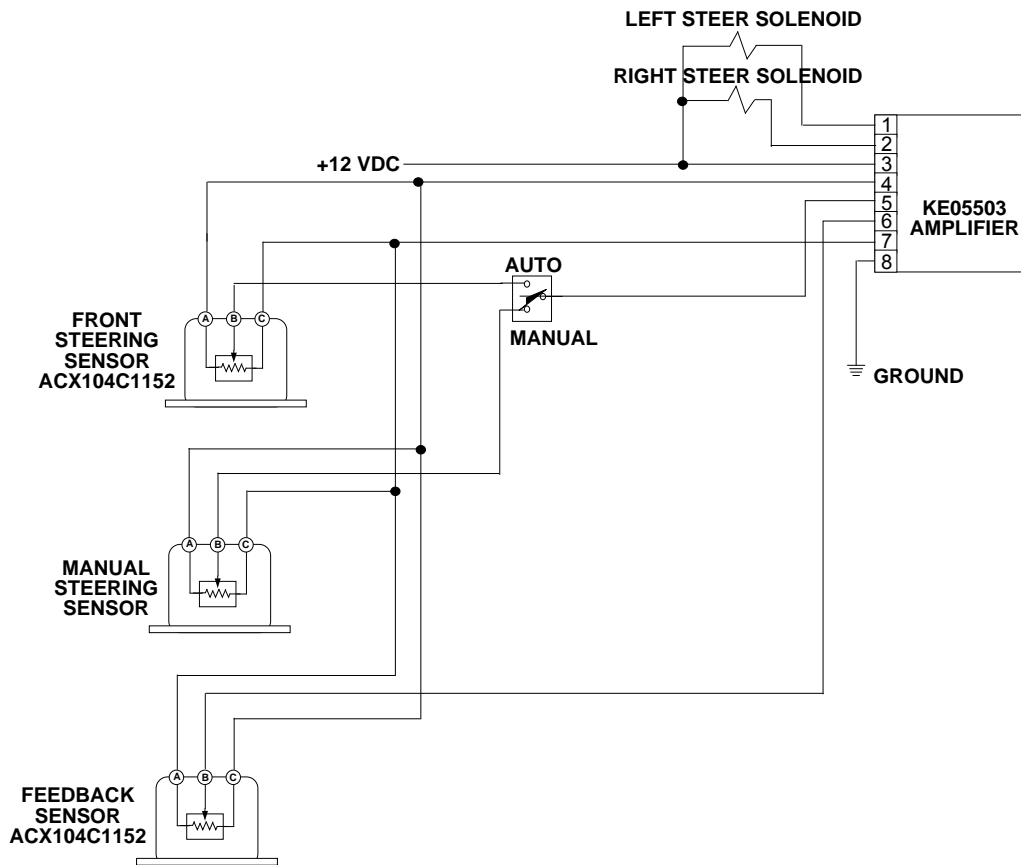
NOTE: All voltage measurements $\pm 15\%$ unless noted otherwise. Bracketed numbers for the KE05503 refer to terminals. On the KE05506, R1 is jumpered so that summing can be done externally.

CONNECTION DIAGRAM



1374A

TECHNICAL DATA



1583

CUSTOMER SERVICE

NORTH AMERICA

ORDER FROM

Danfoss (US) Company
Customer Service Department
3500 Annapolis Lane North
Minneapolis, Minnesota 55447
Telephone: (763) 509-2084
Fax: (763) 559-0108

DEVICE REPAIR

For devices in need of repair, include a description of the problem, a copy of the purchase order and your name, address and telephone number.

RETURN TO

Danfoss (US) Company
Return Goods Department
3500 Annapolis Lane North
Minneapolis, Minnesota 55447

EUROPE

ORDER FROM

Danfoss (Neumünster) GmbH & Co.
Customer Service Department
Krokamp 35
Postfach 2460
D-24531 Neumünster
Germany
Telephone: 49-4321-8710
Telex: (299) 708
Fax: 49-4321-871-284