



3500 Annapolis Lane North, Minneapolis, MN 55447
 Telephone: (763) 509-2084 Telefax: (763) 559-0108

Unit Specification

1090052
 Amplifier, Foot Pedal

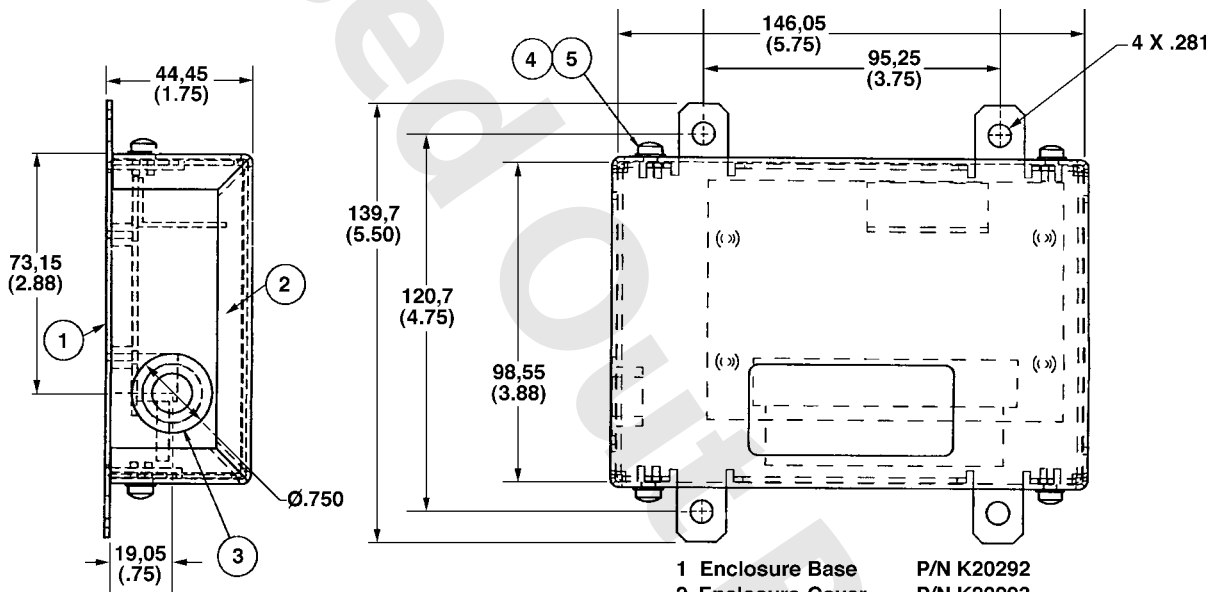
ISSUE: 1

DATE: June 1996

GENERAL DESCRIPTION

This amplifier is designed to work with the Danfoss foot pedal (KEP). A typical application would be controlling a variable volume piston pump that is fitted with an Electrical Displacement Control (EDC). Trim pots on the amplifier allow the output levels to be tailored with respect to foot pedal position. An enclosure protects the internal circuit board and provides a means of mounting. The control has (3) LEDs to indicate +12 V power, +8 V regulator and output current.

DIMENSIONS



1 Enclosure Base	P/N K20292
2 Enclosure Cover	P/N K20293
3 Bushing Cable	P/N K00797
4 Screw 6-32 x 3/8 (4)	P/N K06254
5 Lockwasher	P/N K04773

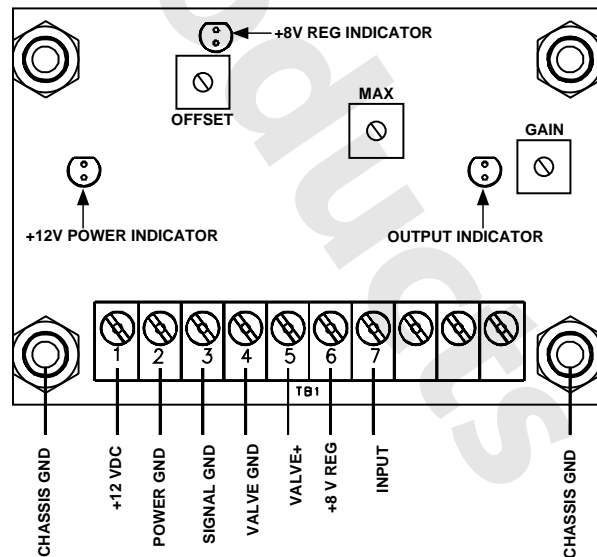
1992

ELECTRICAL CHARACTERISTICS

- Supply voltage: 12 Vdc (11 to 15 volts)
- Output current (uni-polar): maximum 160 mA with a 22 ohm load
- Adjustments (see Adjustments):
 1. OFFSET sets start current (threshold)
 2. MAX sets maximum current output
 3. GAIN sets current output with respect to foot pedal position

All adjustments are clockwise (< 1 turn) for increasing.
 To access the adjustments, remove the 4 cover screws.
- Input impedance: 200K ohm
- EMI/RFI protection

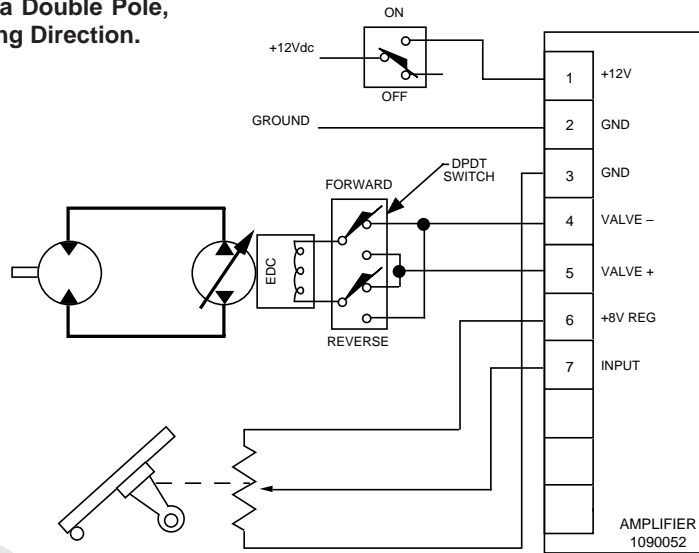
ADJUSTMENTS



1995

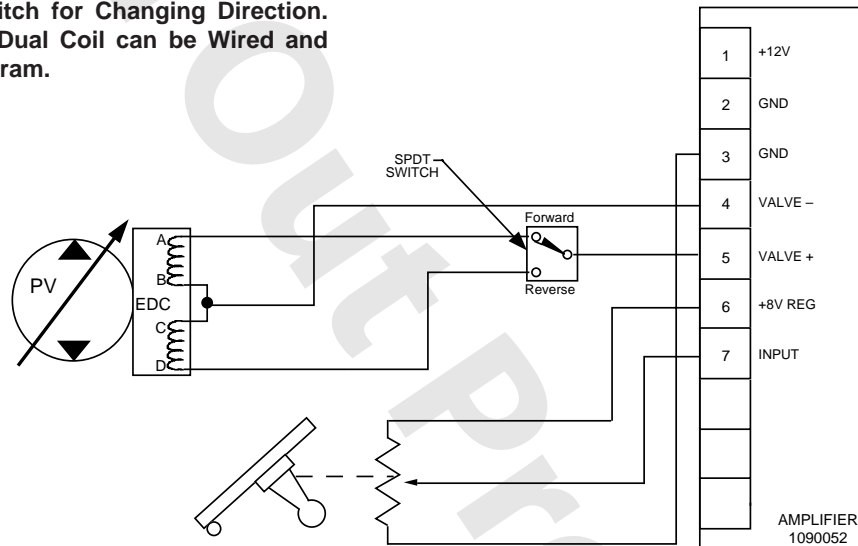
TYPICAL WIRING CONNECTIONS

Controlling a Single Coil EDC Requires a Double Pole, Double Throw (DPDT) Switch for Changing Direction.



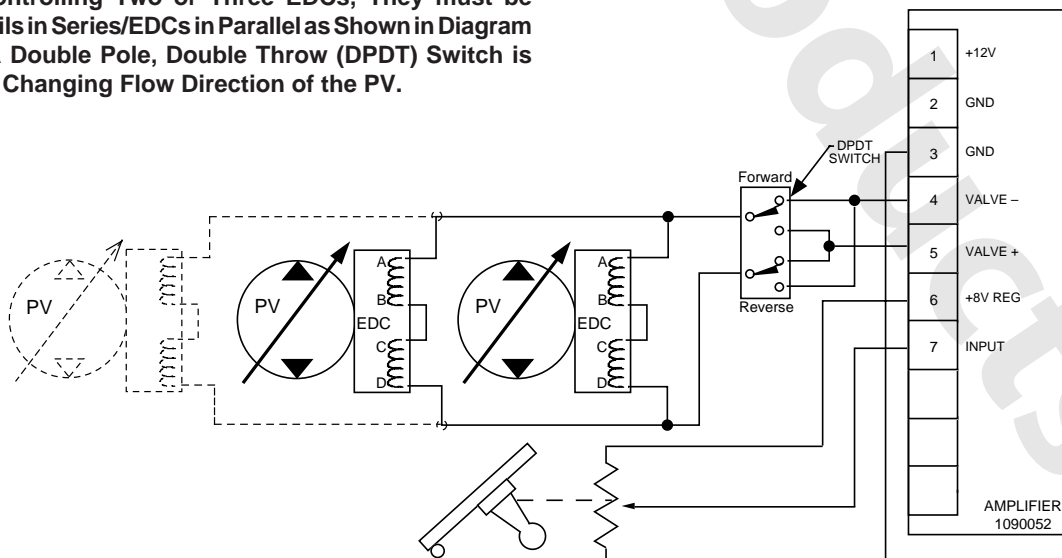
1706

Controlling a Dual Coil EDC Requires a Single Pole, Double Throw (SPDT) Switch for Changing Direction. Also, Just One Coil of a Dual Coil can be Wired and Switched as in Above Diagram.



1993

When Controlling Two or Three EDCs, They must be Wired Coils in Series/EDCs in Parallel as Shown in Diagram Below. A Double Pole, Double Throw (DPDT) Switch is Used for Changing Flow Direction of the PV.



1994