



3500 Annapolis Lane North, Minneapolis, MN 55447
 Telephone: (763) 509-2084 Telefax: (763) 559-0108

Unit Specification

KE07201 Ramped Valve Driver

ISSUE: 1

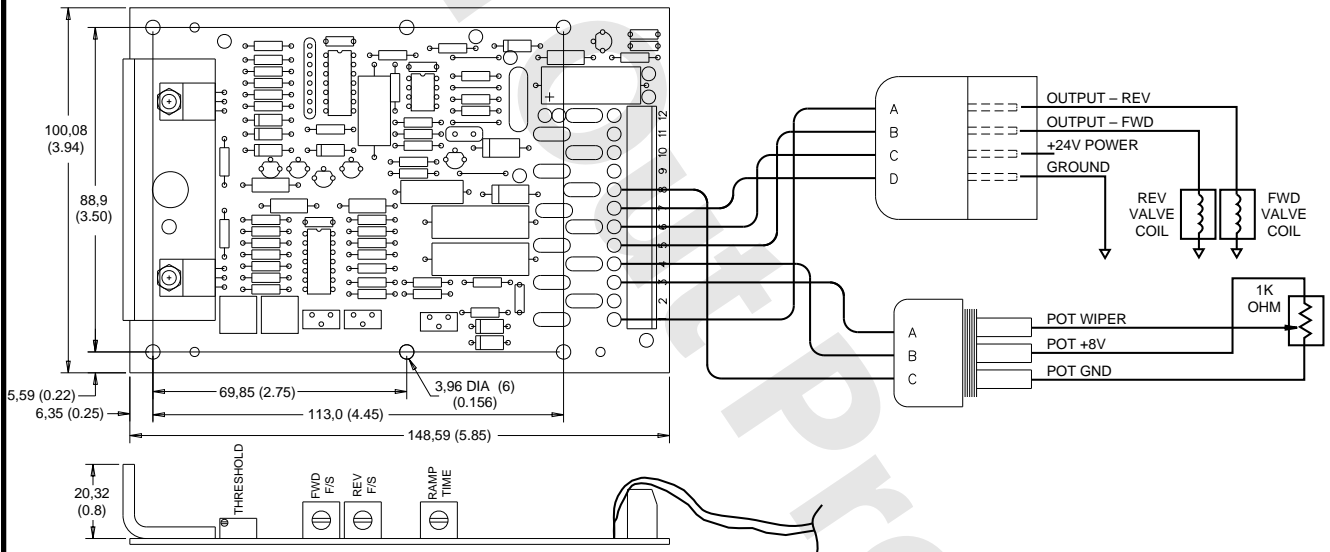
DATE: May 1993

GENERAL DESCRIPTION

This device is a ramped valve driver which accepts a setpoint potentiometer input from a control handle and drives a dual coil proportional valve. It is pulse-width modulated and has adjustable acceleration/deceleration ramping. The threshold, full stroke forward and full stroke reverse outputs are adjustable.

It has a 12" pigtail with a 4-pin sealed Packard shroud connector for the power and output connections and a 12" pigtail with 3-pin (female) sealed Packard tower connector for the setpoint potentiometer connections. A bag assembly with mounting hardware is shipped with the device. For mating connectors order bag assemblies K03384, 4-pin (female) tower connector and K08630, 3-pin shroud connector.

DIMENSION AND CONNECTION DIAGRAM



1682

Dimensions in millimeters (inches).

OUTPUT CHARACTERISTICS

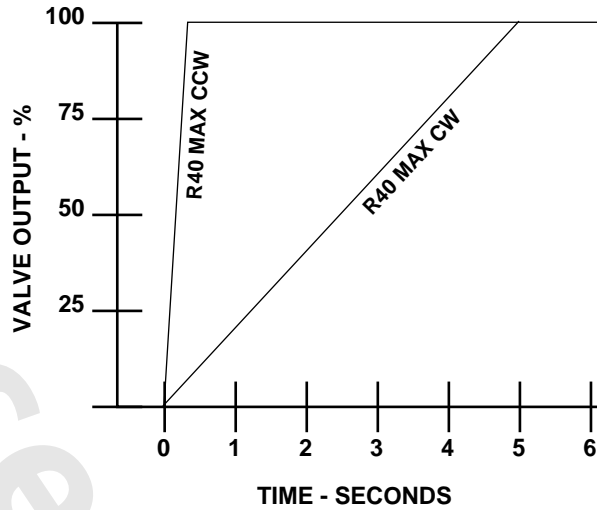
SUPPLY VOLTAGE
24 Vdc

OUTPUT CURRENT
0.7 A

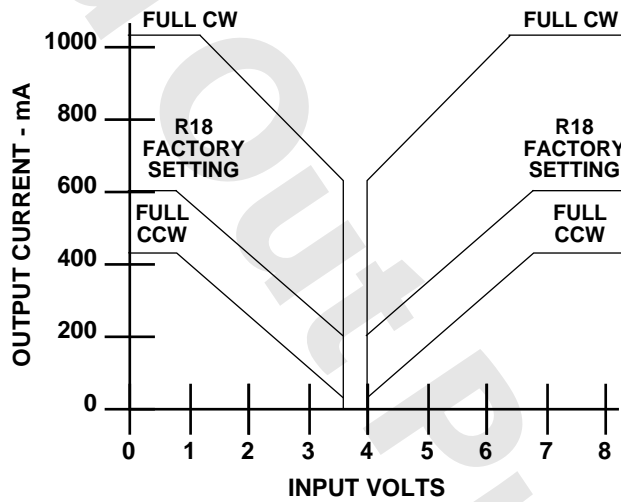
PWM FREQUENCY
100 Hz

FACTORY SETTINGS WITH 26 OHM LOAD
 Threshold: 200 mA
 Full Stroke 600 mA

ADJUSTMENTS

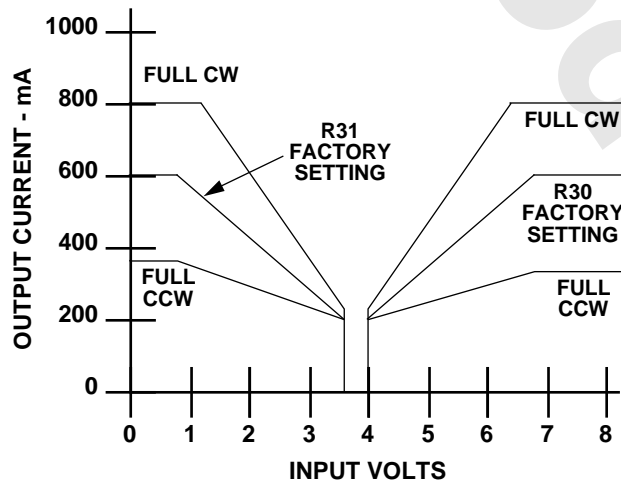


1679



1680

Threshold adjustment.



1681

Full stroke adjustment.