



3500 Annapolis Lane North, Minneapolis, MN 55447
 Telephone: (763) 509-2084 Telefax: (612) 559-0108

Unit Specification

KE04109
Valve Drive Amplifier

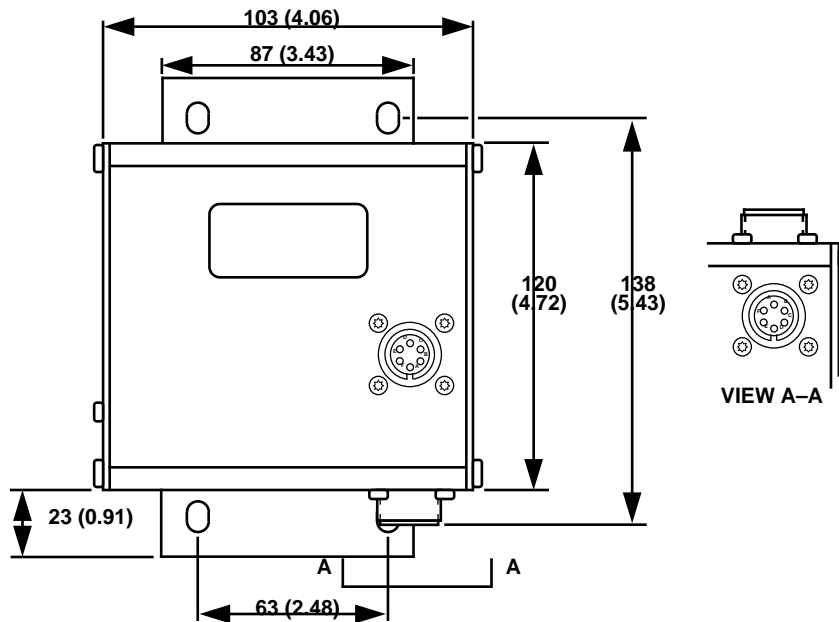
ISSUE: 2

DATE: September 1996

GENERAL DESCRIPTION

The device is a current amplifier powered by 24-Vdc. The input is variable from 4–20 mA and the output drives an Electrical Displacement Control (EDC) valve with a single coil in a single direction at 0–100 mA. The printed wiring board is mounted in an aluminum housing with 2 MS connectors.

DIMENSIONS



1655

Dimensions of the KE04109 in Millimeters (Inches).

OUTPUT CHARACTERISTICS

SUPPLY VOLTAGE
24 Vdc

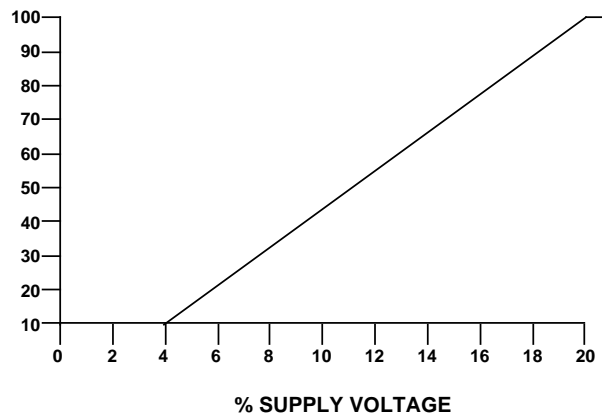
INPUT IMPEDANCE
240 ohm

START CURRENT
4 mA nominal (1 Volt)

FULL STROKE CURRENT
20 mA (4.8 Volt)

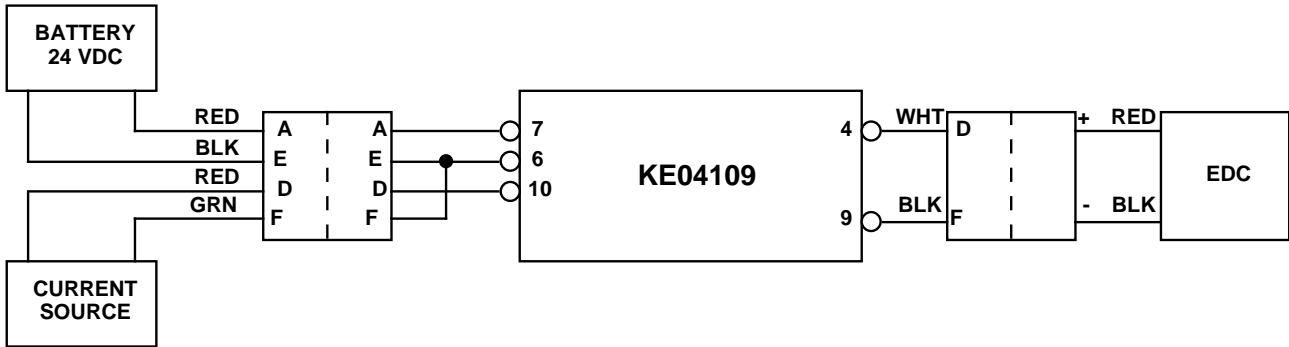
OUTPUT CURRENT
100 mA into a 25 ohm load

**% MAXIMUM
OUTPUT VOLTAGE**



1651A

CONNECTION DIAGRAM



1656

TERMINAL CONNECTIONS

6 CONDUCTOR PINS (GC-379-2-14S-6-P)

- A = +24 Volts
- B = Ground
- D = 4 to 20 mA positive
- F = 4 to 20 mA low (ground)

6 CONDUCTOR PINS (GC-379-2-14S-6-S)

- D = Valve position
- F = Valve low (ground)

Note: Connection will depend on pump direction of rotation and desired port used.

CONNECTORS

6 CONDUCTOR PINS* (GC-379-2-14S-6-P)

Mating connector MS3106F14S-6S

6 CONDUCTOR PINS* (GC-379-2-14S-6-S)

Mating connector MS3106F14S-6P

* Not supplied by Danfoss Company.
Contact: Glenair Inc. Phone: (818) 247-6000