



3500 Annapolis Lane North, Minneapolis, MN 55447
 Telephone: (763) 509-2084 Telefax: (763) 559-0108

Unit Specification

KE04111 Valve Drive Amplifier

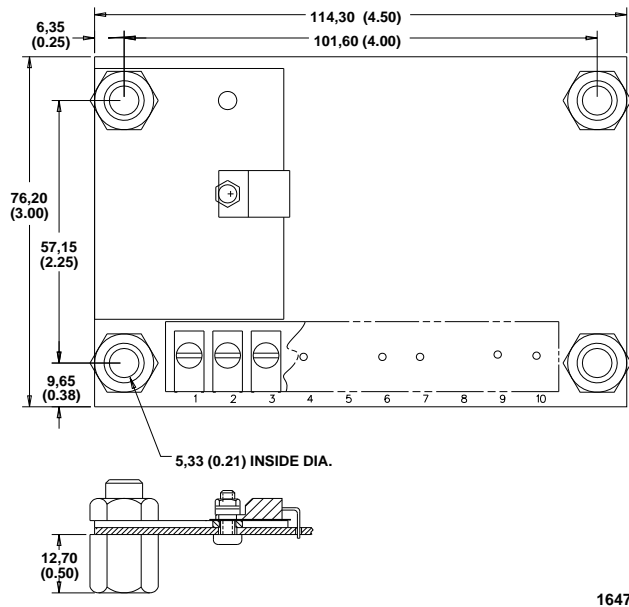
ISSUE: 3

DATE: March 2003

GENERAL DESCRIPTION

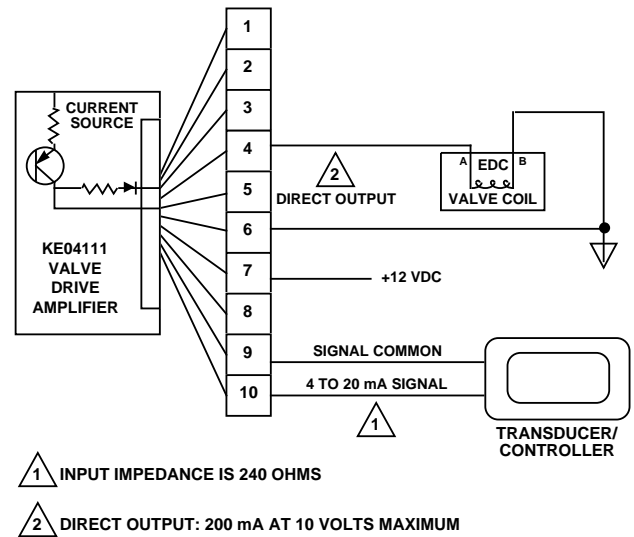
The device is a free-standing amplifier mounted on 4 standoffs. Current or voltage signal from a transducer/controller, through the amplifier, produces current to drive electrohydraulic actuators. Connections to the amplifier are via screw terminals.

DIMENSIONS



Dimensions of the KE04111 in Millimeters (Inches).

CONNECTION DIAGRAM



1 INPUT IMPEDANCE IS 240 OHMS

2 DIRECT OUTPUT: 200 mA AT 10 VOLTS MAXIMUM

OUTPUT CHARACTERISTICS

SUPPLY VOLTAGE
12 Vdc (11 to 15 volts)

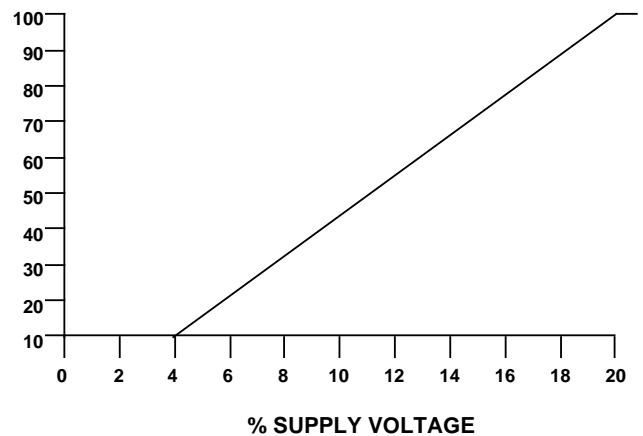
INPUT IMPEDANCE
240 ohm

START CURRENT
4 mA nominal (1 Volt)

FULL STROKE CURRENT
20 mA (4.8 Volt)

OUTPUT CURRENT
225 mA into a 33 ohm load

% MAXIMUM
OUTPUT VOLTAGE



1651A