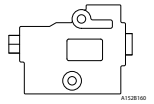


# Installation Guide

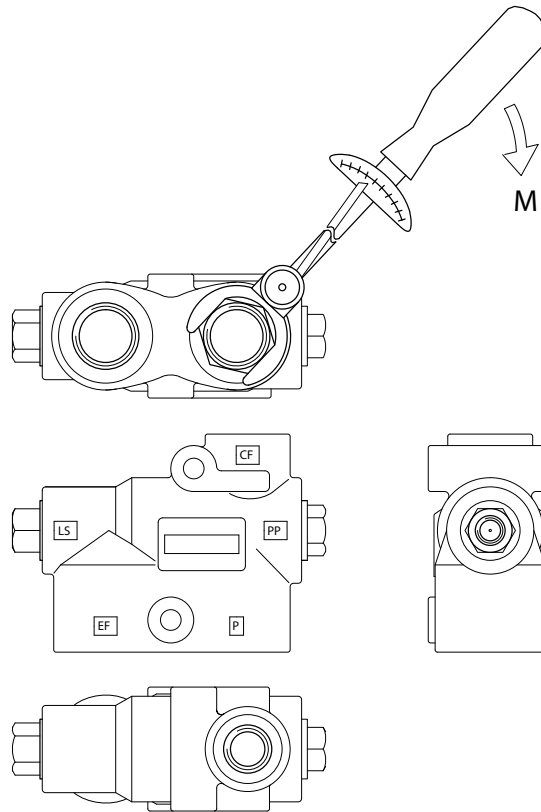
## Priority Valve

### Type OLS 120



11080595

11080595



152B161

M	Max. tilspændingsmoment Max. tightening torque Max Anzugsmoment Couple de serrage max.								
	Tilslutning Connection Anschluß Raccordement			Tilslutning Connection Anschluß Raccordement			Tilslutning Connection Anschluß Raccordement		
	P/EF			CF			PP/LS		
Forskruning Screw connection Verschraubung Raccord	M27 × 2	G 3/4	1 1/16-12 UN	M 18 × 1.5	G 1/2	3/4 16 UNF	M12 × 1.5	G 1/4	7/16 20 UNF
med kobberskive with copper washer mit Kupferscheibe avec rondelle en cuivre	90 Nm [800 lbf·in]	90 Nm [800 lbf·in]		55 Nm [490 lbf·in]	55 Nm [490 lbf·in]		20 Nm [180 lbf·in]	35 Nm [310 lbf·in]	
med aluminiumsskive with aluminium washer mit Aluminiumscheibe avec rondelle en aluminium	130 Nm [1150 lbf·in]	130 Nm [1150 lbf·in]		70 Nm [620 lbf·in]	80 Nm [710 lbf·in]		30 Nm [265 lbf·in]	35 Nm [310 lbf·in]	
med skærekant with cutting edge mit Dichtkanta tranchant	180 Nm [1600 lbf·in]	180 Nm [1600 lbf·in]		80 Nm [710 lbf·in]	100 Nm [885 lbf·in]		30 Nm [265 lbf·in]	35 Nm [310 lbf·in]	
med O-ring with O-ring mit O-ring avec joint torique	90 Nm [800 lbf·in]	90 Nm [800 lbf·in]	120 Nm [1060 lbf·in]	50 Nm [440 lbf·in]	55 Nm [490 lbf·in]	60 Nm [530 lbf·in]	25 Nm [220 lbf·in]	35 Nm [310 lbf·in]	20 Nm [180 lbf·in]