

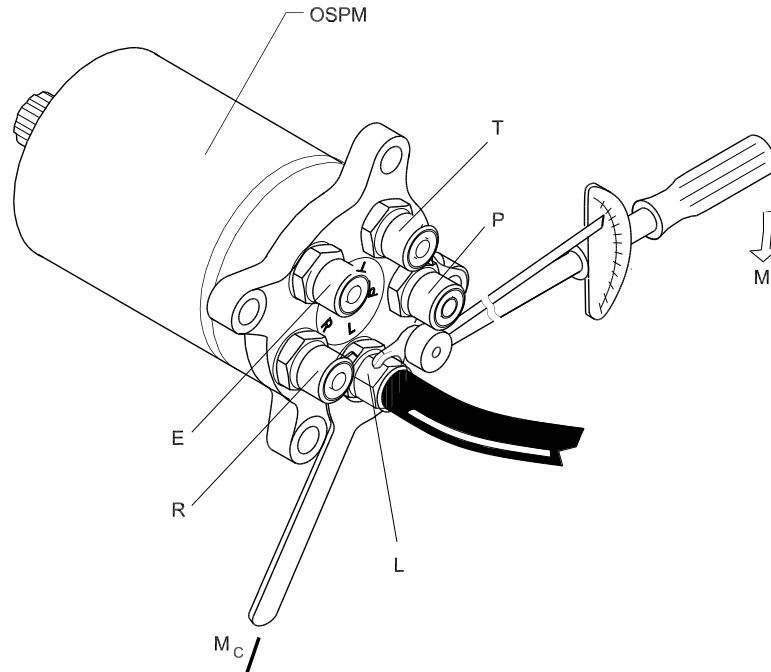
# Installation Guide

## Mini Steering Unit Type OSPM Steering Column

150R9900

150R9900

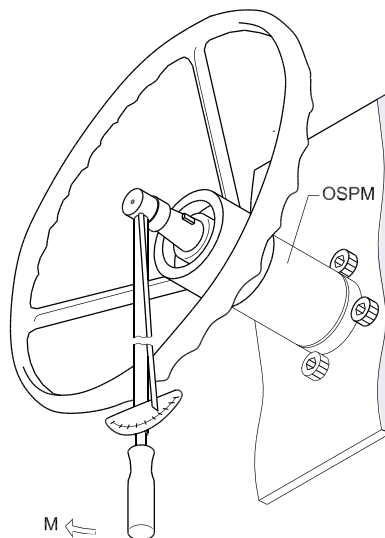
Mini Steering Unit  
Type OSPM



150-623.10

<b>M</b> Max. tightening torque for hose connections			
Connection: O-ring face seal (ORFS)	P, T, E		L, R
		9/16 - 18 UNF	11/16 - 16 UN
	25 N·m [221 lbf·in]	27 N·m [239 lbf·in]	25 N·m [221 lbf·in]

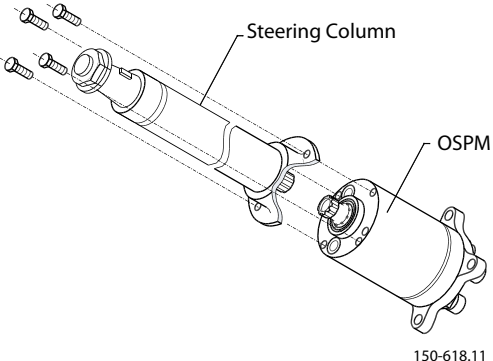
**Mc** Fitting bolts must not be turned during assembly of hose



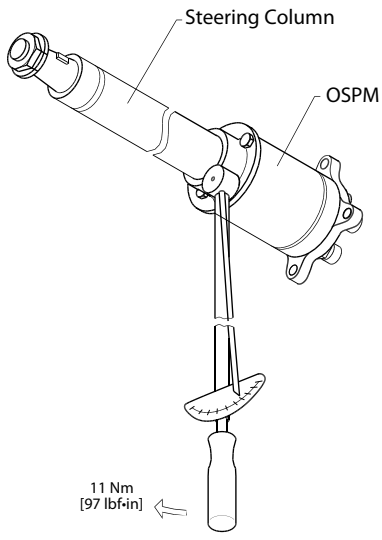
150-621.10

<b>M</b> Max. tightening torque for steering wheel bolt		
	N·m	lbf·in
OSPM type A shaft (M8 × 1.25)	20	177
OSPM type B shaft (5/8 - 18 UNF)	40	354

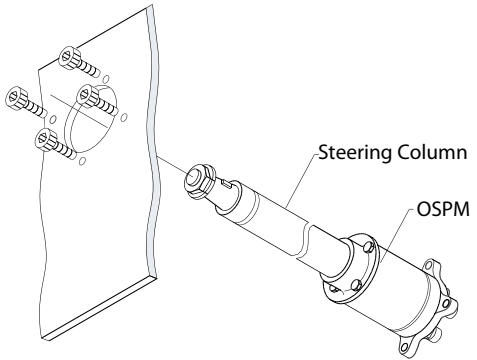
Steering Column



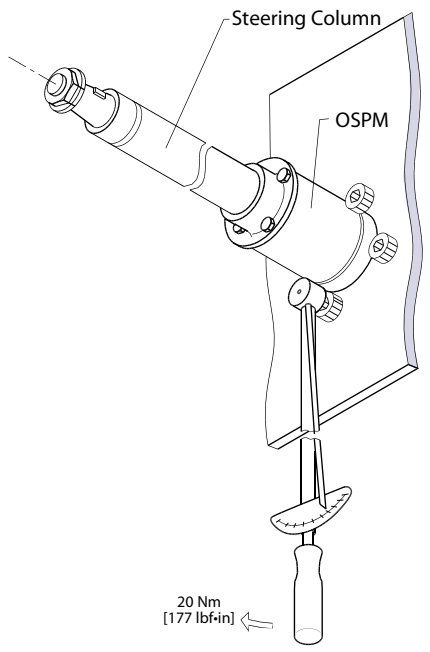
150-618.11



150-624.12



150-619.11



150-620.11