

Installation guide

Thermostatic expansion valves

Type TGE 10, TGE 20 and TGE 40

067R9603

067R9603

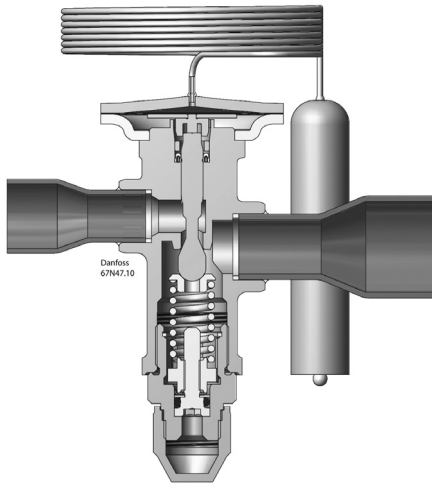
Refrigerants:
R410A, R32, R452B, R454B, R22, R134a, R1234ze, R407F, R407A, R404A, R507, R407C and R290
For complete list of approved refrigerants, go to www.danfoss.com

Max. working pressure:
PS/MWP = 46 bar / 667 psig

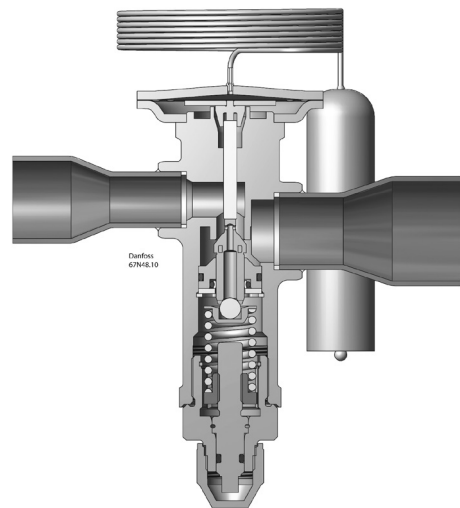
Max. test pressure:
P_{test} = 51 bar / 740 psig



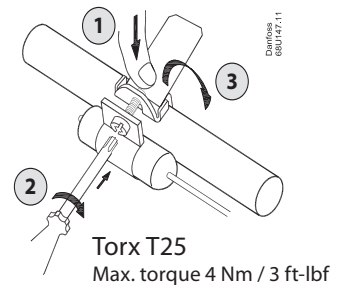
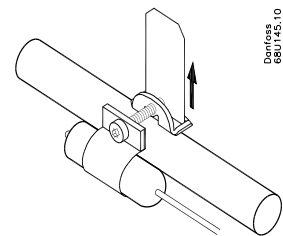
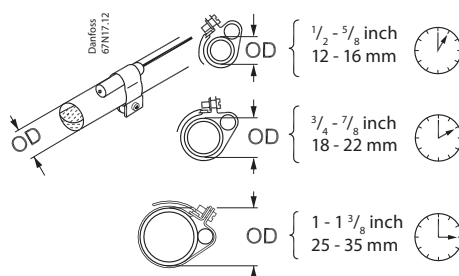
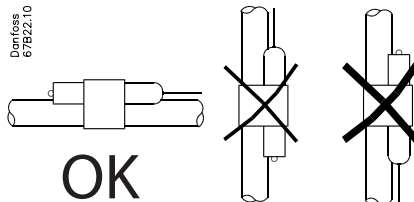
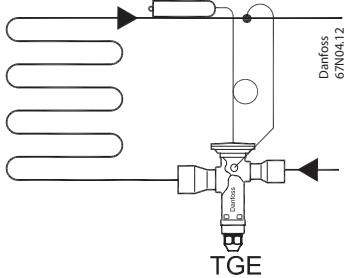
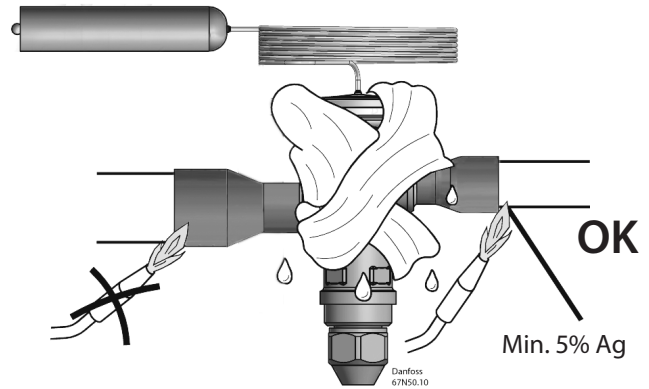
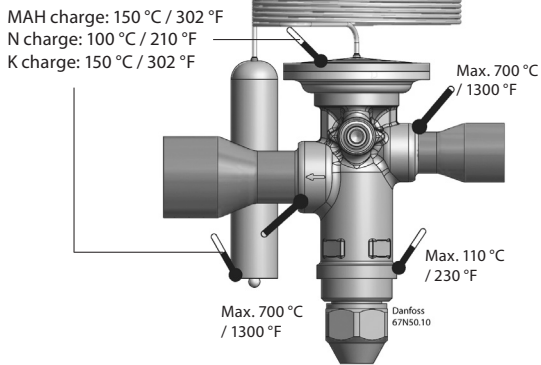
Note: Only solder version, connection sizes 28 mm / 1 1/8 inch and below are approved for flammable refrigerants. This product is approved for R290 by ignition source assessment in accordance to standard EN13463-1.

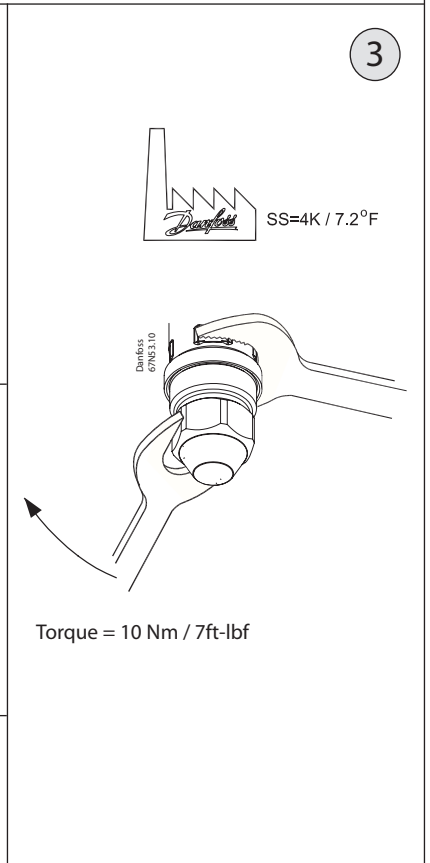
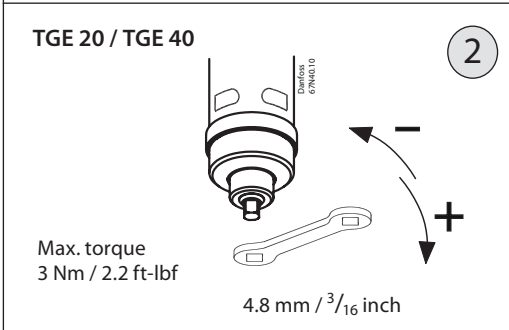
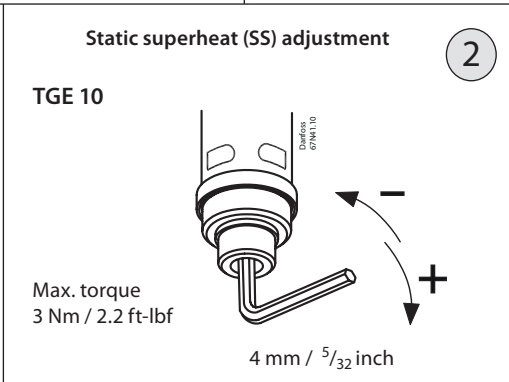
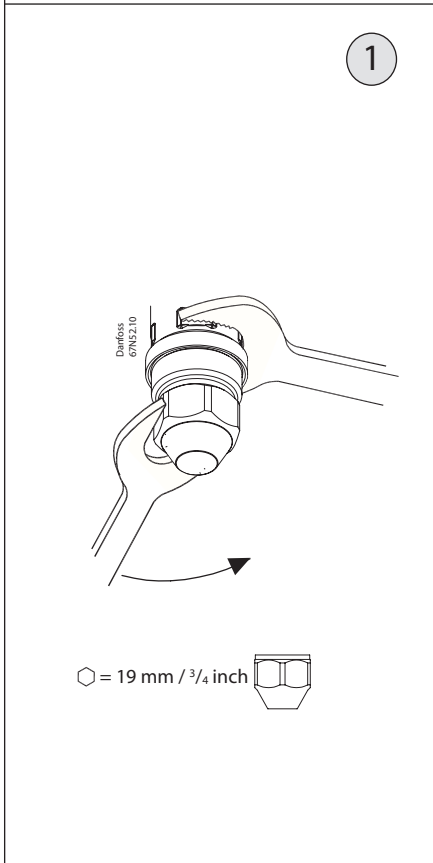
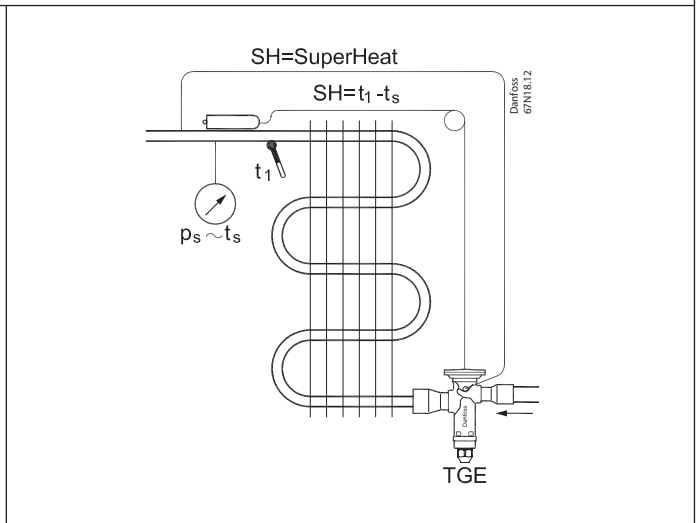
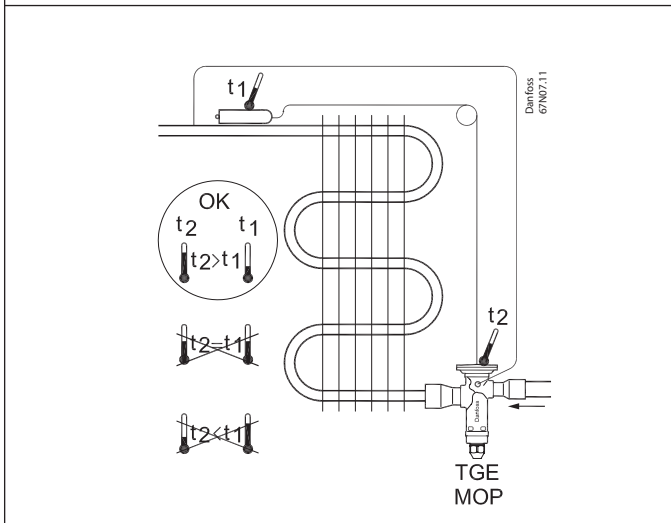
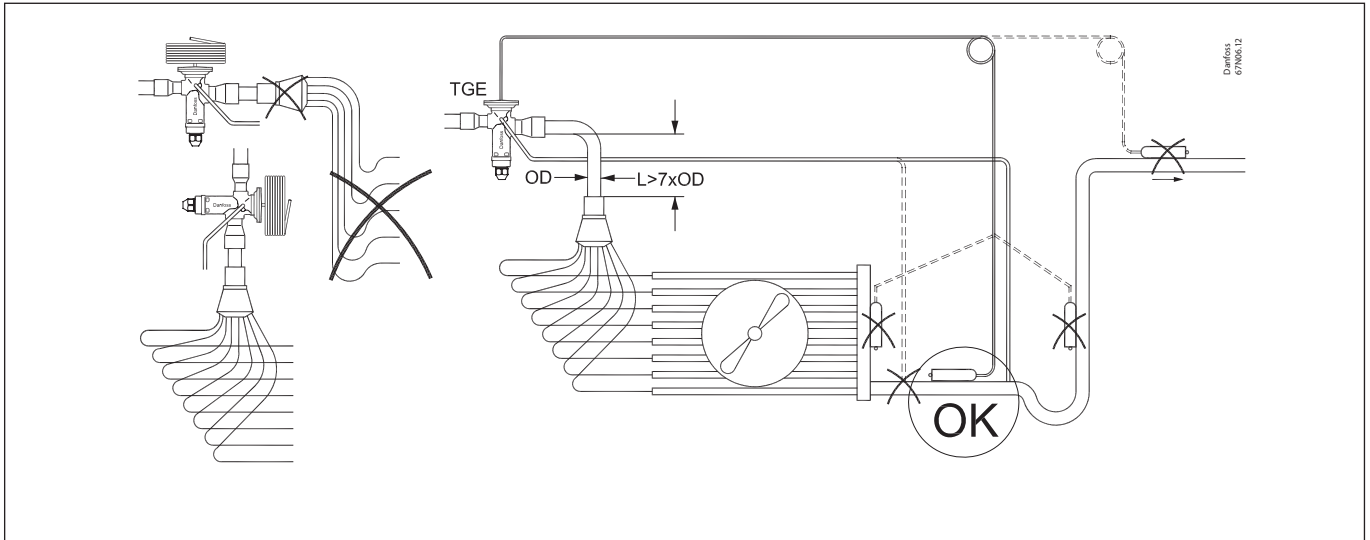


TGE 10 Balanced port design



TGE 20 / TGE 40 Double balanced port design





TGE 10: $\Delta SH/360^{\circ}C \approx 1^{\circ}C / 1.8^{\circ}F$
 TGE 20: $\Delta SH/360^{\circ}C \approx 1.5^{\circ}C / 2.7^{\circ}F$
 TGE 40: $\Delta SH/360^{\circ}C \approx 1.5^{\circ}C / 2.7^{\circ}F$