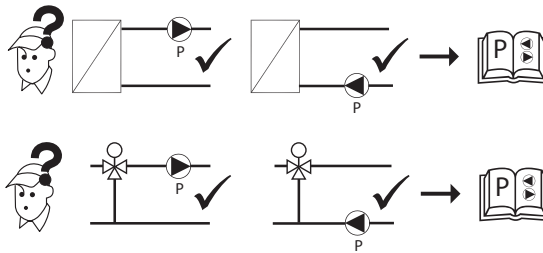
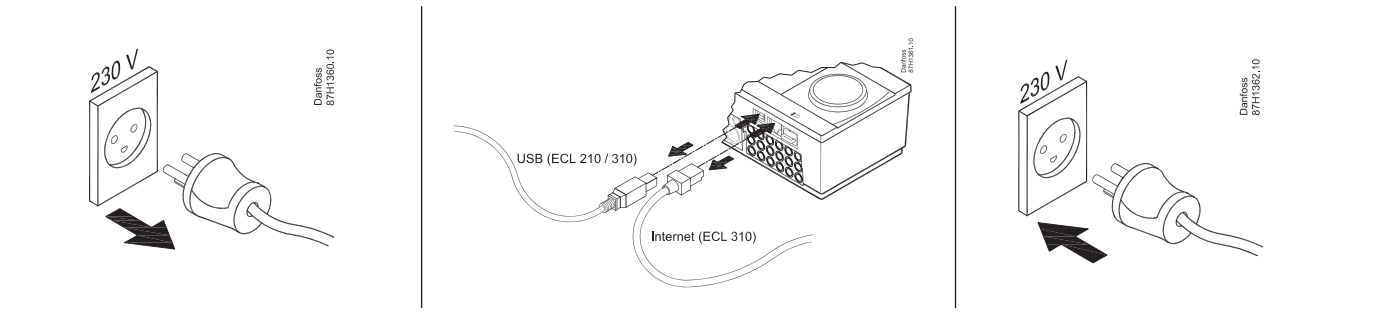
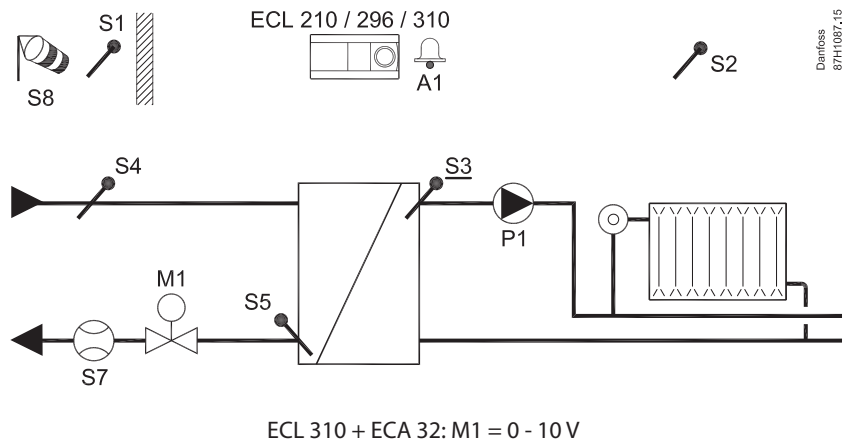


Installation Guide

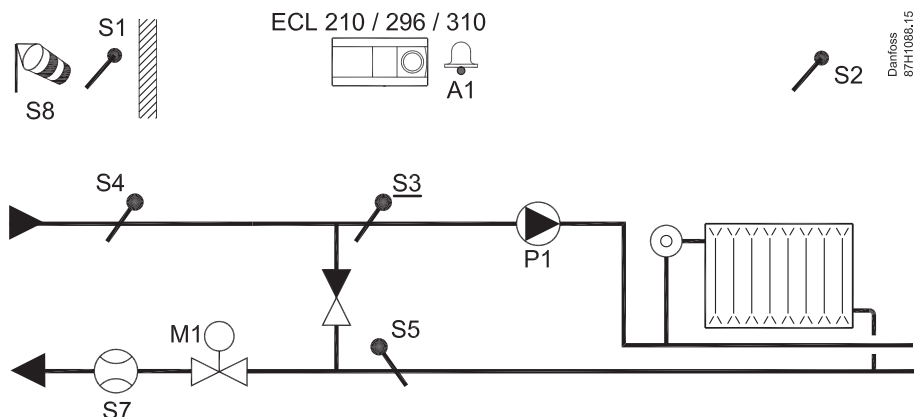
ECL Comfort 210 / 296 / 310, A230 (code no. 087H3802)



A230.1 ex. a

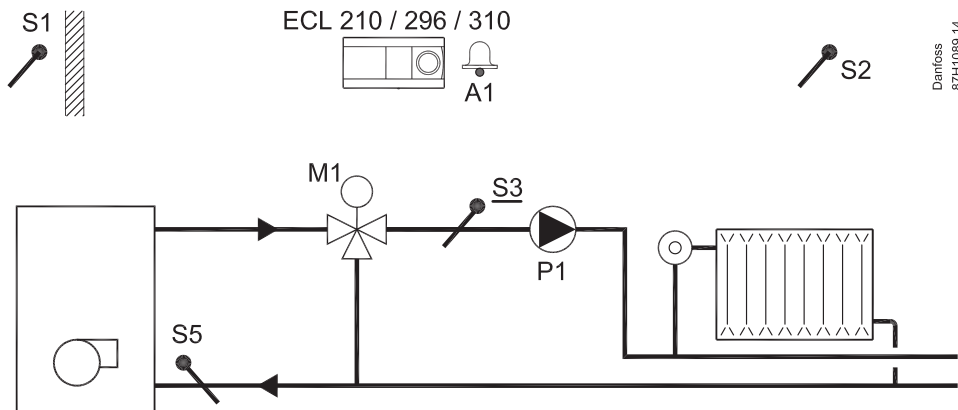


A230.1 ex. b:



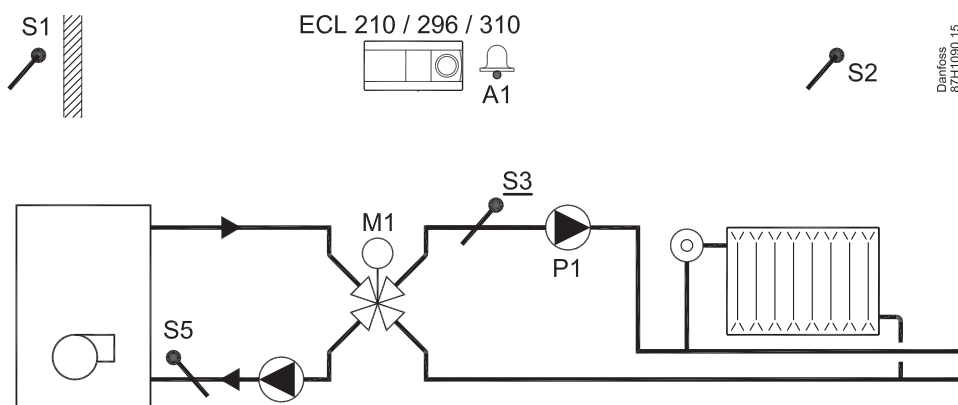
ECL 310 + ECA 32: M1 = 0 - 10 V

A230.1 ex. c:



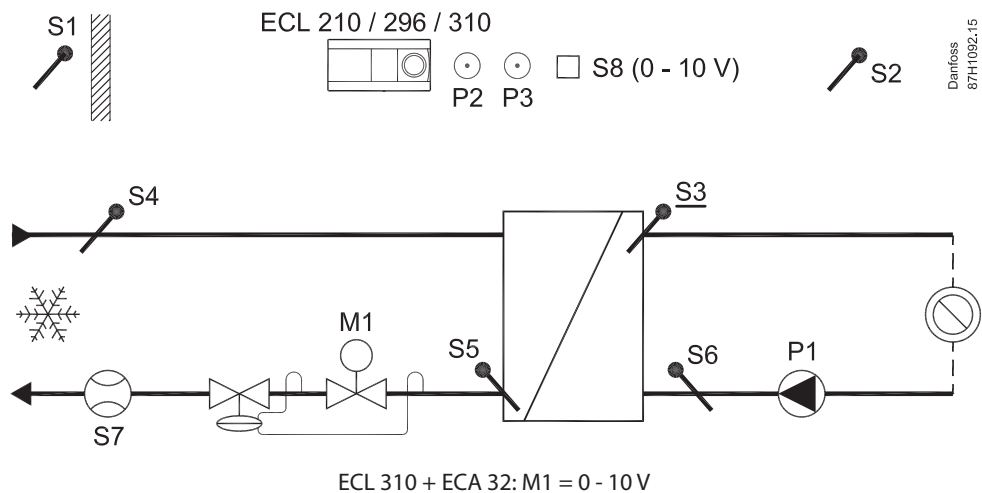
ECL 310 + ECA 32: M1 = 0 - 10 V

A230.1 ex. d:

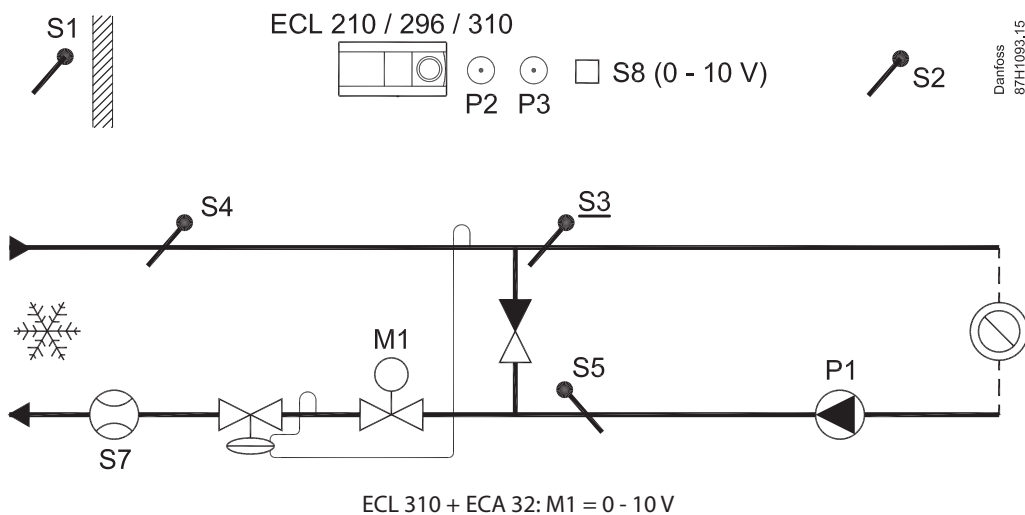


ECL 310 + ECA 32: M1 = 0 - 10 V

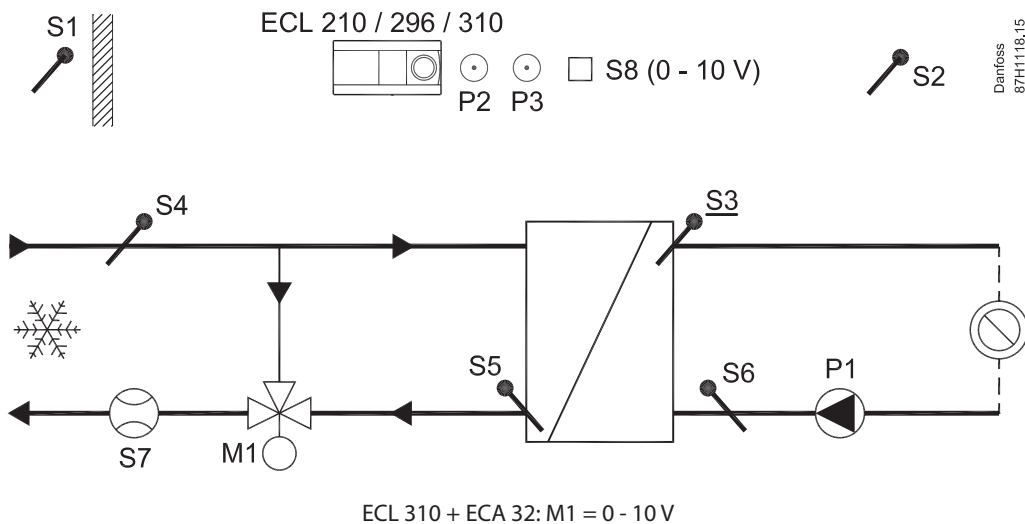
A230.2 ex. a:



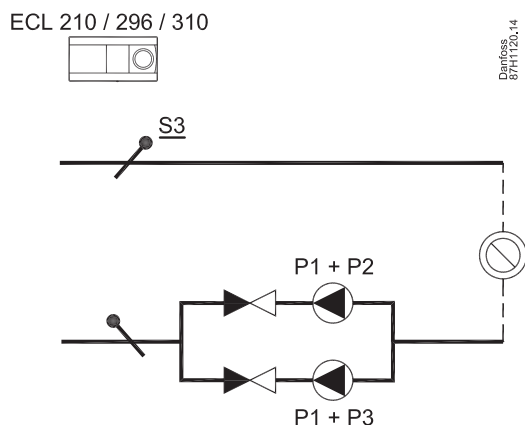
A230.2 ex. b:



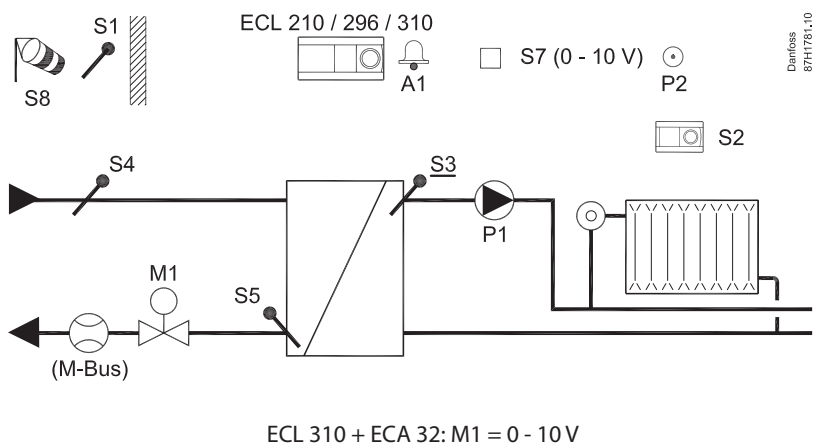
A230.2 ex. c:



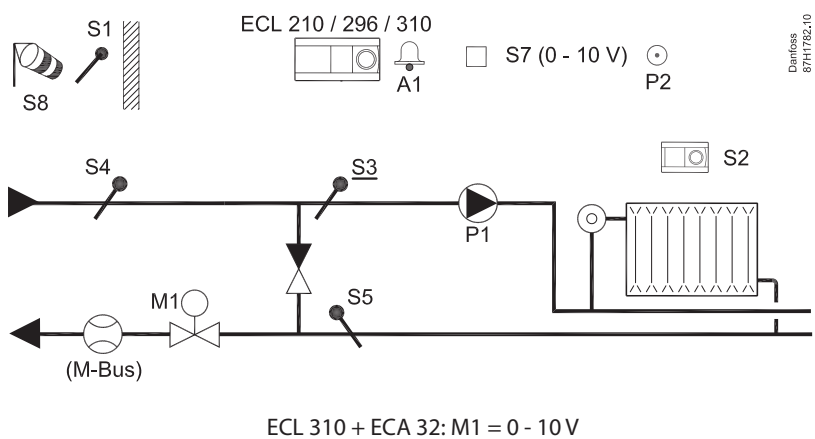
A230.2 ex. d:



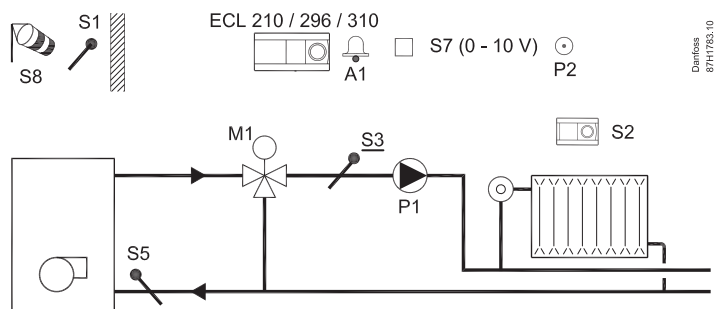
A230.3, ex. a



A230.3, ex. b

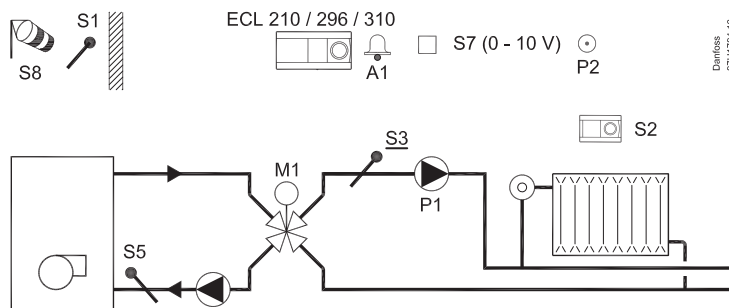


A230.3, ex. c



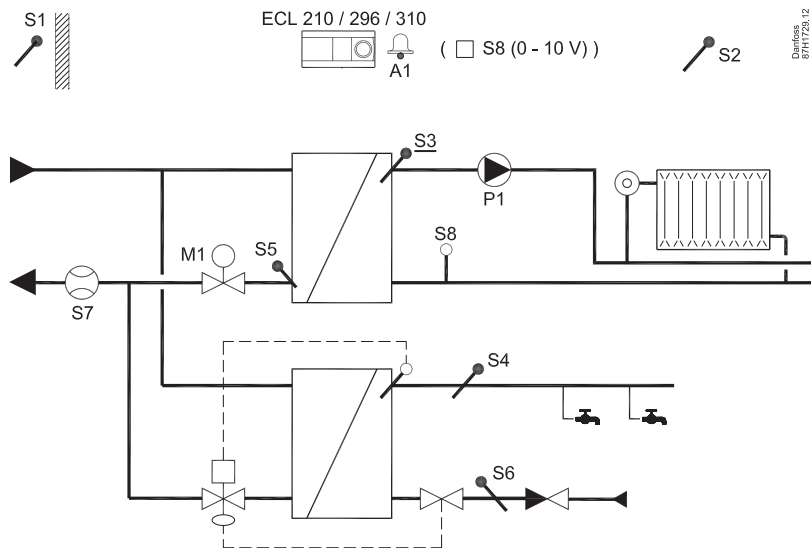
ECL 310 + ECA 32: M1 = 0 - 10 V

A230.3, ex. d



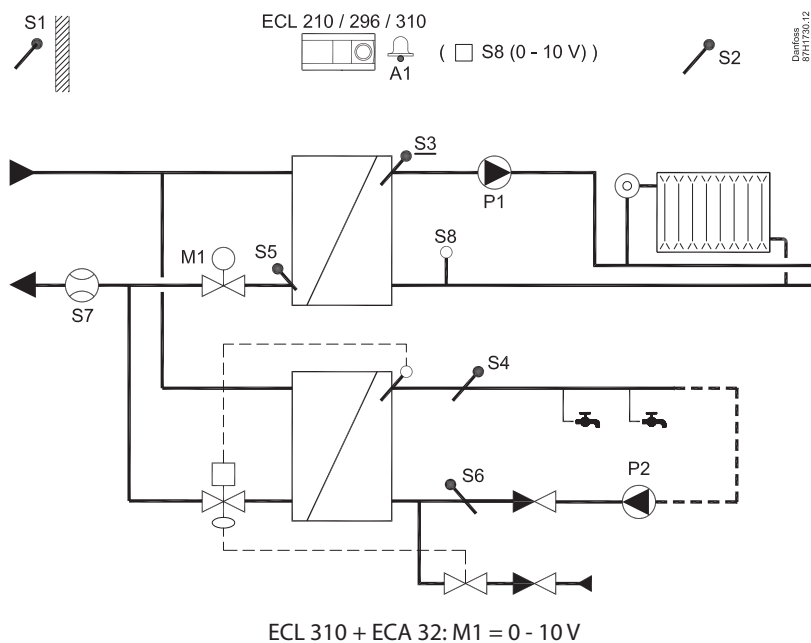
ECL 310 + ECA 32: M1 = 0 - 10 V

A230.4, ex. a

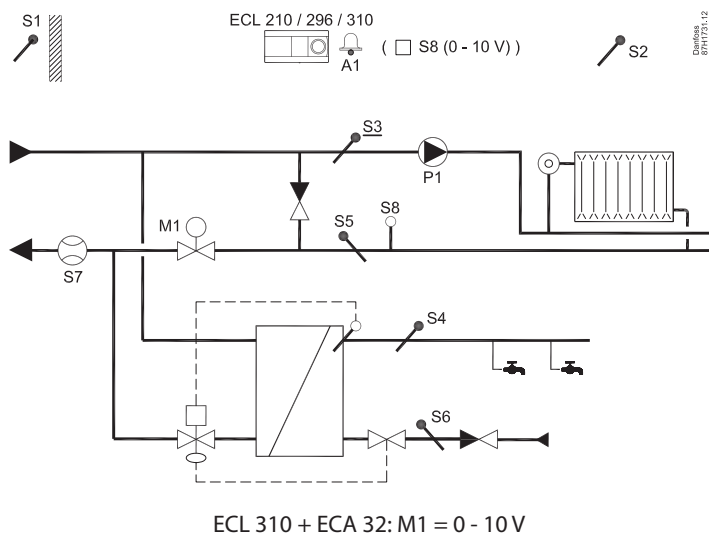


ECL 310 + ECA 32: M1 = 0 - 10 V

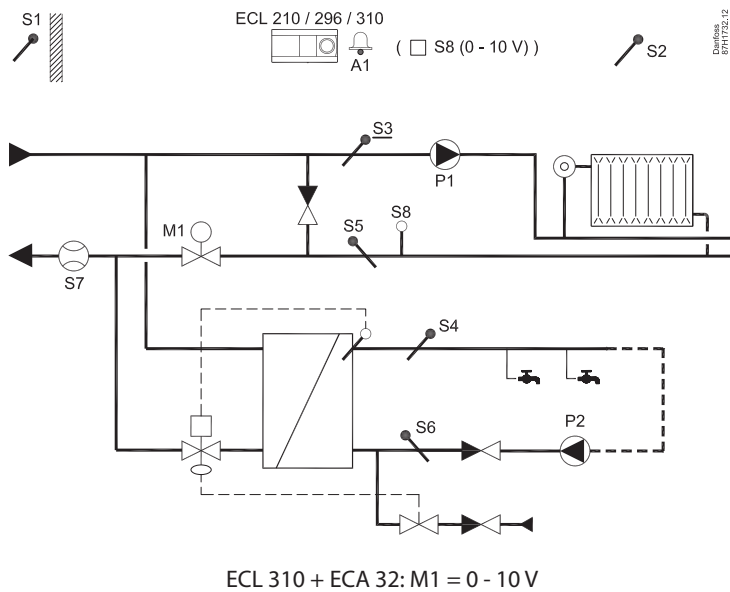
A230.4, ex. b



A230.4, ex. c



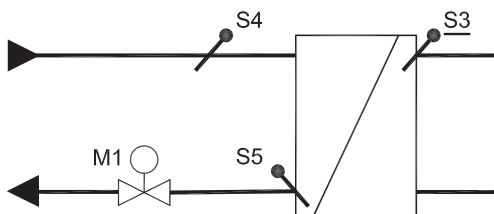
A230.4, ex. d



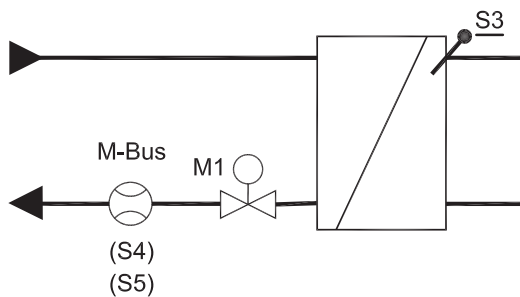
**A230.1, A230.3
S4, S5**



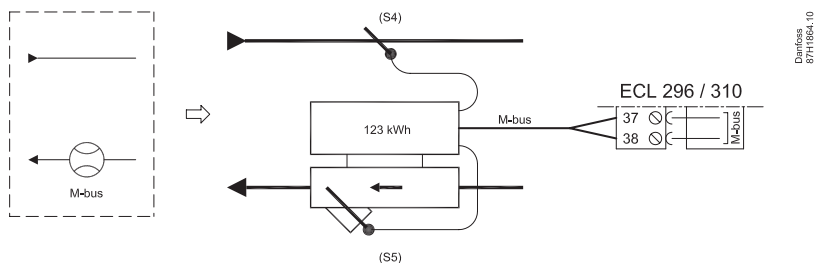
A:






B:



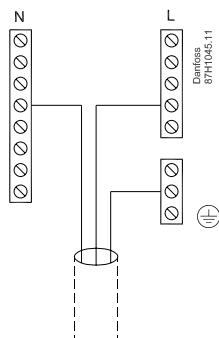
B:



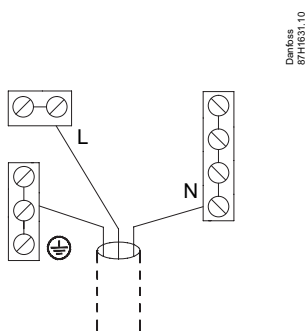
ECL Comfort 210 / 296 / 310:
230 V a.c.

R 	4 (2) A / 230 V a.c.
R 	
Tr 	0,2 A / 230 V a.c.

ECL 210 / 310:



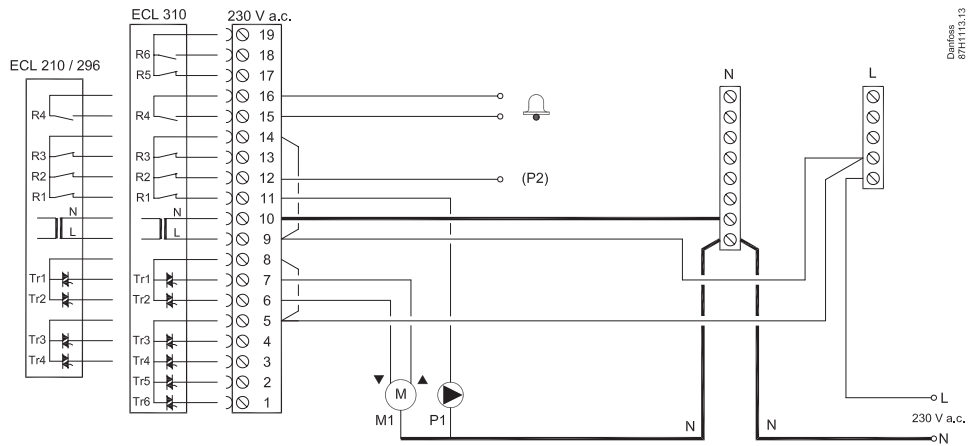
ECL 296:



Installation Guide, ECL Comfort 210 / 296 / 310, A230

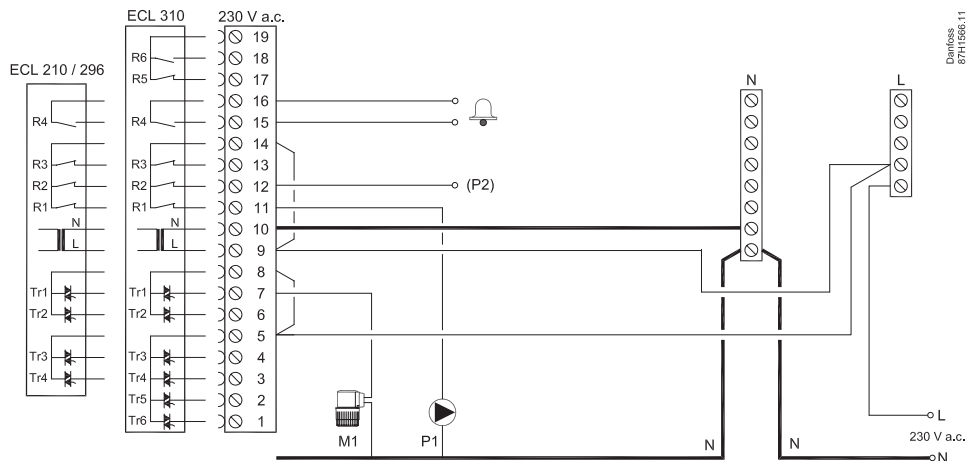
	R1	R2	R3	R4
A230.1	P1	(P2)		A1 (🔔)
A230.2	P1	(P2)	(P3)	
A230.3	P1	(P2)		A1 (🔔)
A230.4	P1	(P2)		A1 (🔔)

230 V a.c.

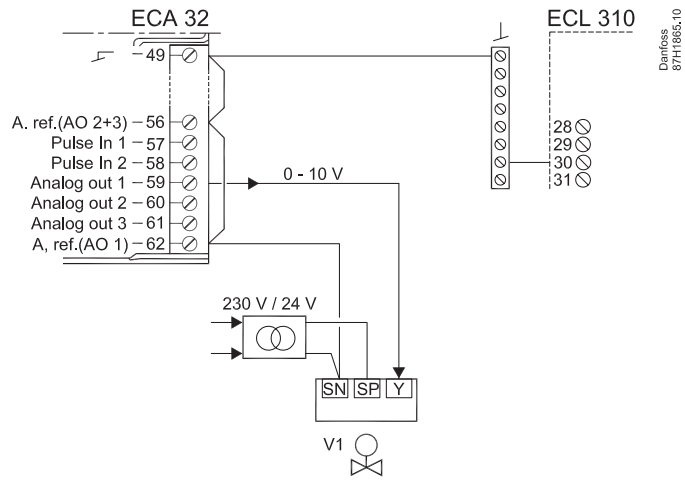


230 V a.c.

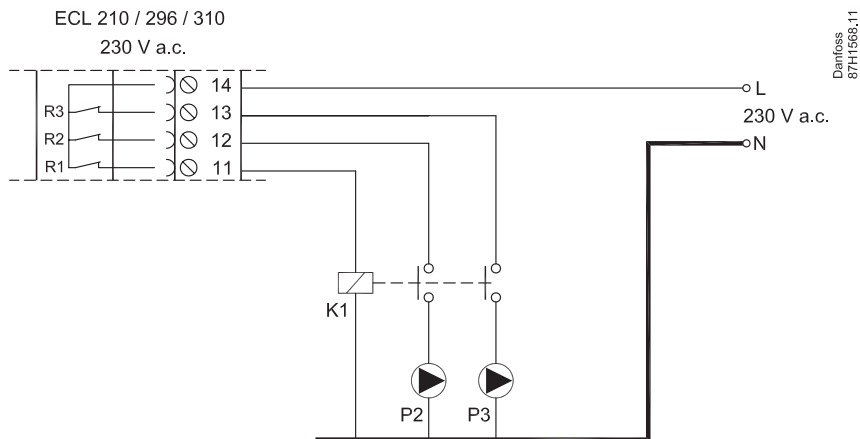
(Danfoss thermo-actuator ABV)



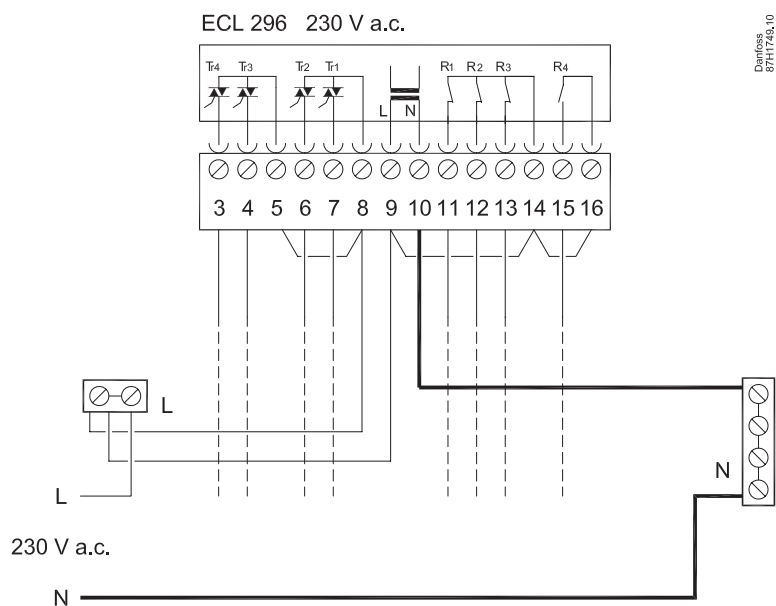
ECL 310 + ECA 32
M1 = V1 (0 - 10 V)



A230.2, P2 + P3



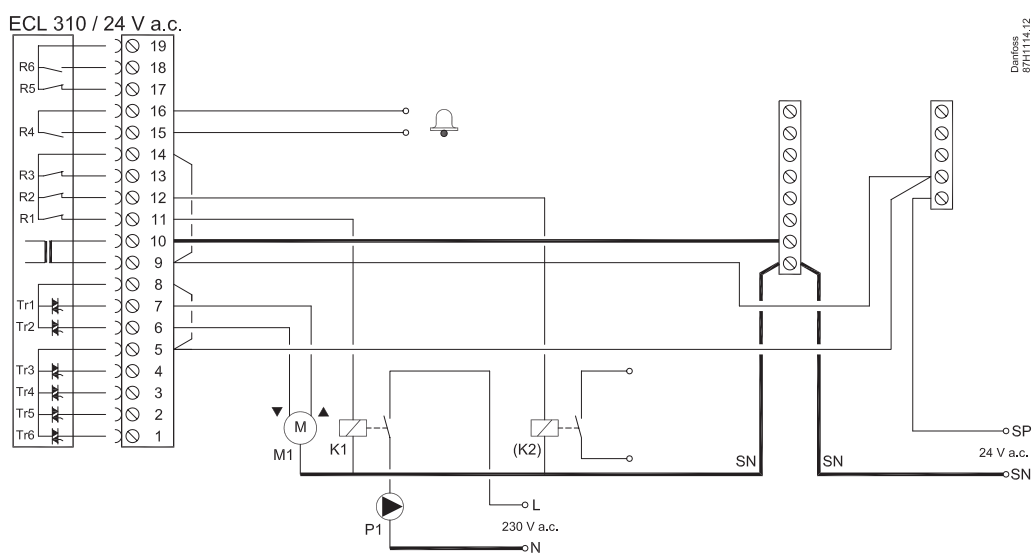
**ECL Comfort 296:
230 V a.c.**



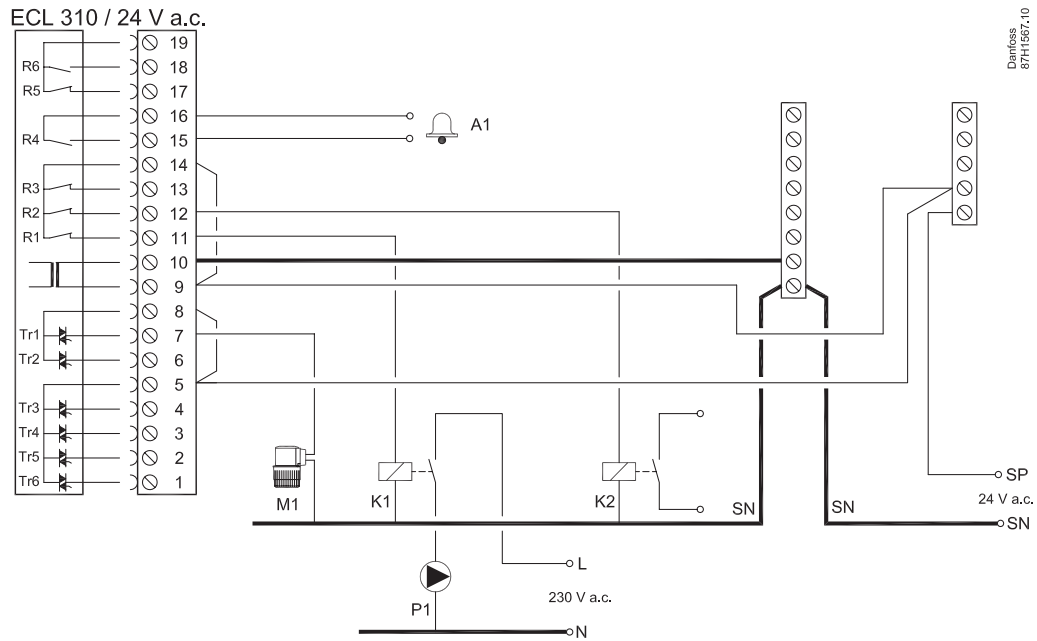
**ECL Comfort 310:
24 V a.c.**

R	4 (2) A / 24 V a.c.
Tr	1 A / 24 V a.c.

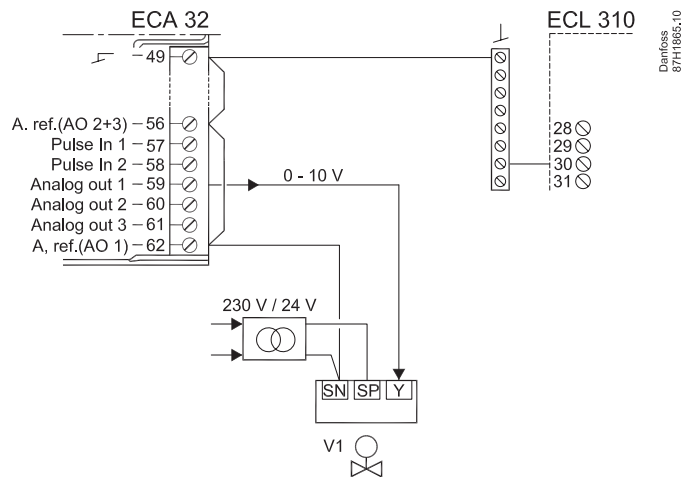
24 V a.c.



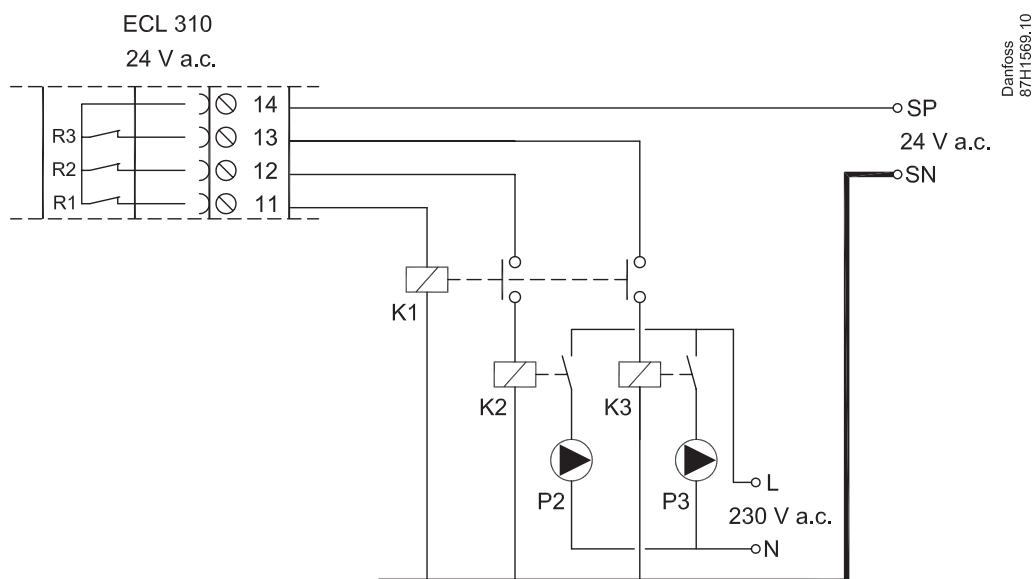
24 V a.c.
(Danfoss thermo-actuator ABV)



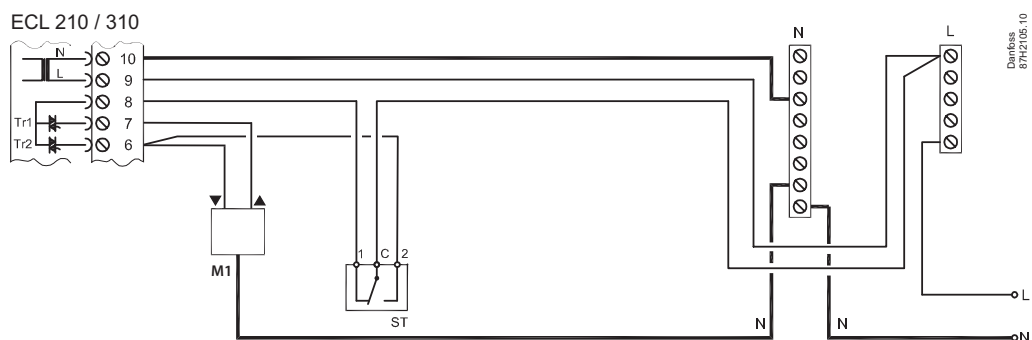
ECL 310 + ECA 32
M1 = V1 (0 - 10 V)



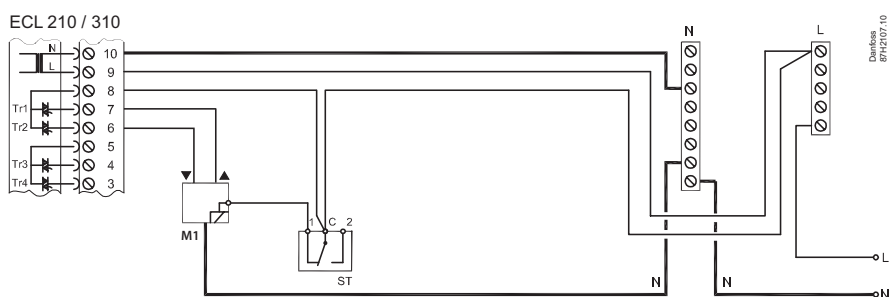
A230.2, P2 + P3



**230 V a.c. / 24 V a.c. , safety thermostat
1-step closing**

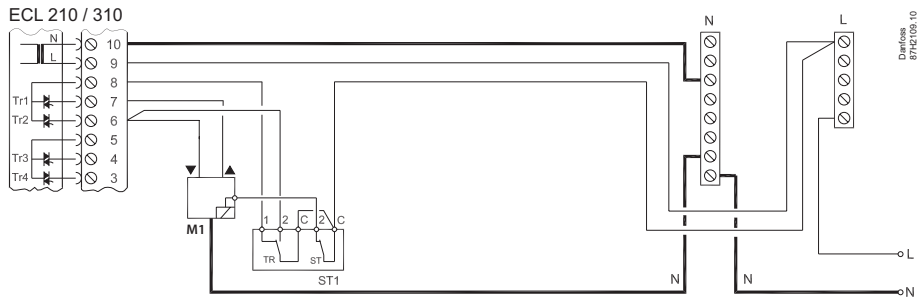


**230 V a.c. / 24 V a.c. , safety thermostat
1-step closing**

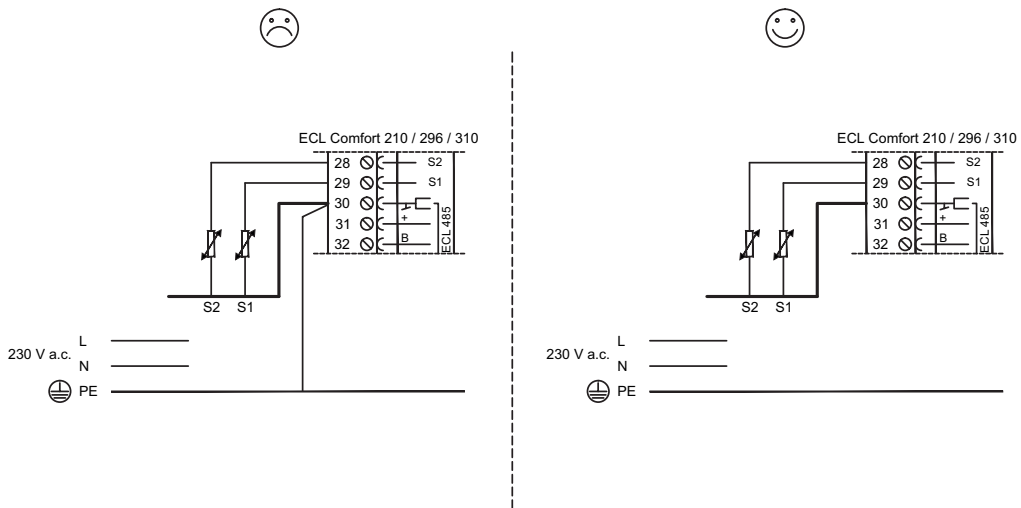


Installation Guide, ECL Comfort 210 / 296 / 310, A230

230 V a.c. / 24 V a.c. , safety thermostat 2-step closing



Pt 1000 (1000 Ω / 0 °C)



Pt 1000 (1000 Ω / 0 °C) ECL 210 / 296 / 310

	S1	S2	S3	S4	S5	S6	S7	S8
A230.1	X	X	X	X	X			
A230.2	X	X	X	X	X	X		
A230.3	X	(X)	X	X	X			
A230.4	X	X	X	X	X	X		

Pulse

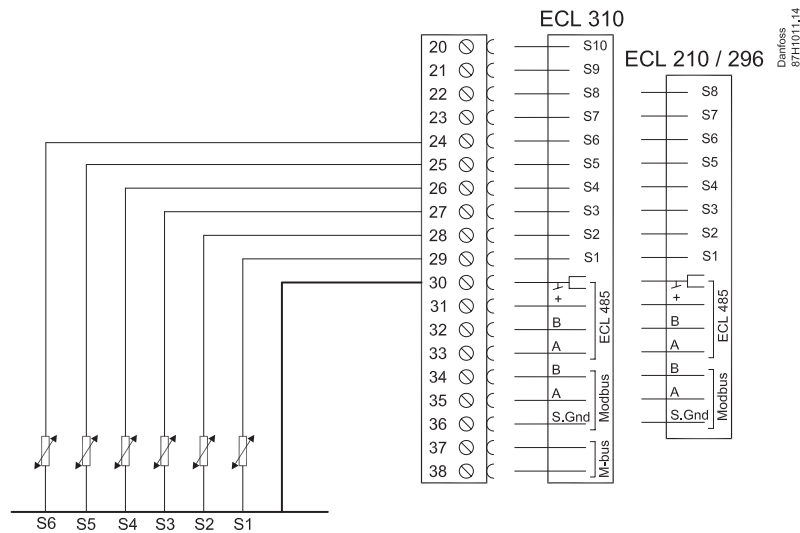
	S7
A230.1	X
A230.2	X
A230.3	
A230.4	X

Installation Guide, ECL Comfort 210 / 296 / 310, A230

0 - 10 V

	S7	S8
A230.1		0 - 10 V ⇒
A230.2		0 - 10 V ⇒
A230.3	0 - 10 V ⇒ % RH	0 - 10 V ⇒
A230.4		0 - 10 V ⇒

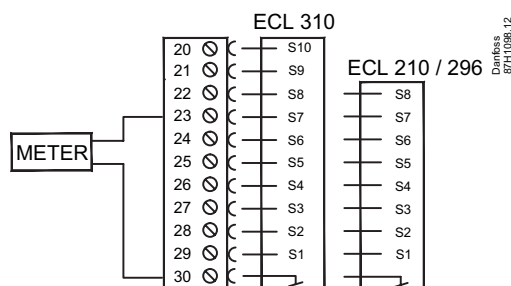
A230



A230.1, A230.2, A230.4



S7



A230.1, A230.2, A230.4

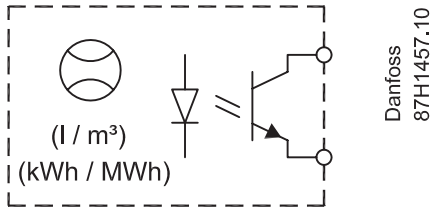


S7

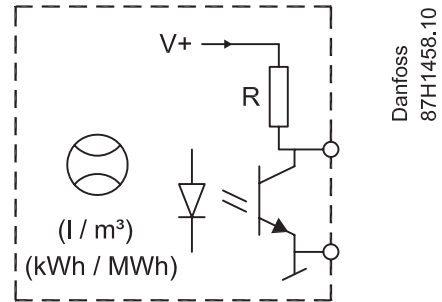


A / B ?

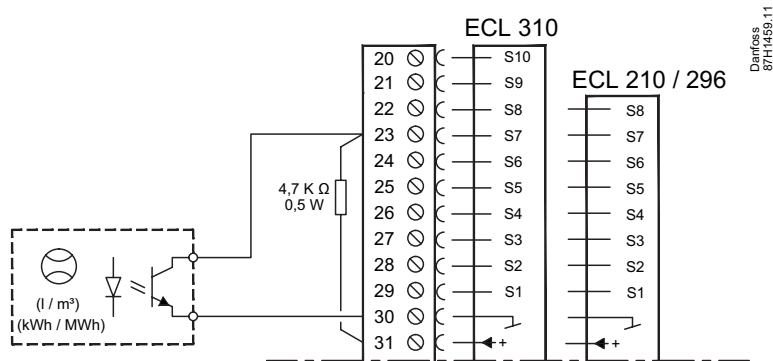
A:



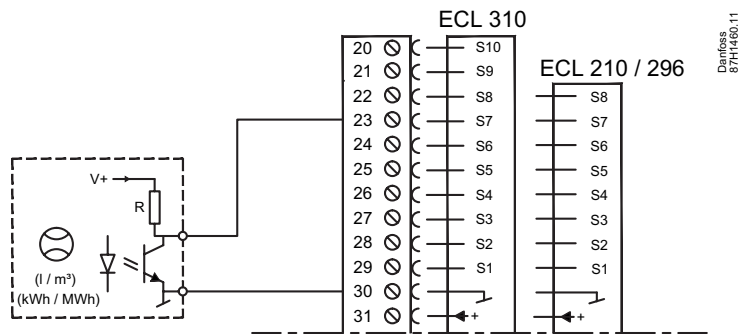
B:



A:



B:

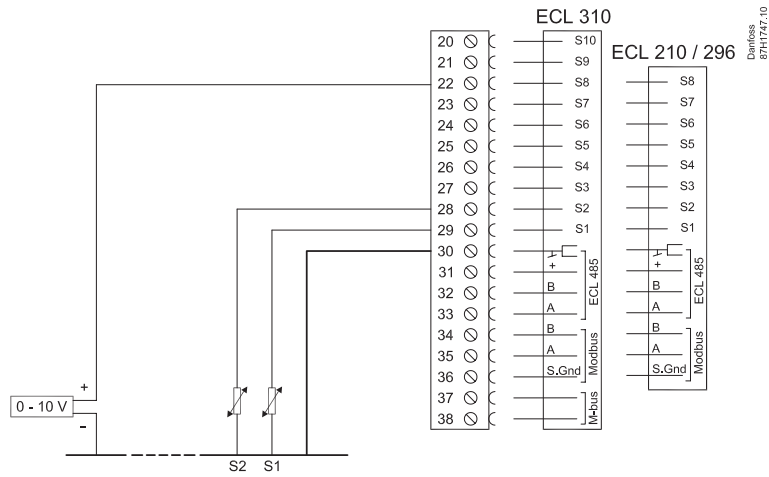


Installation Guide, ECL Comfort 210 / 296 / 310, A230

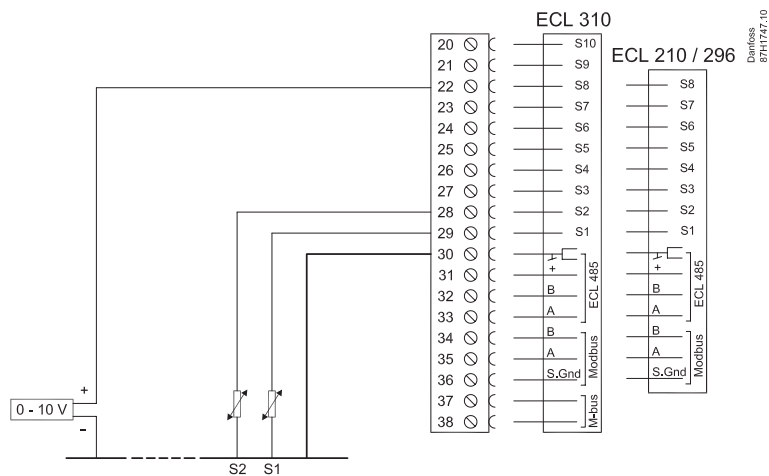
A230.1, A230.3



S8



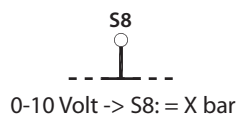
A230.2
0 - 10 V



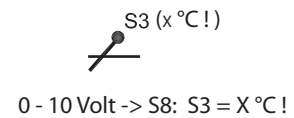
A230.4



A:

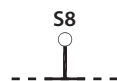


B:

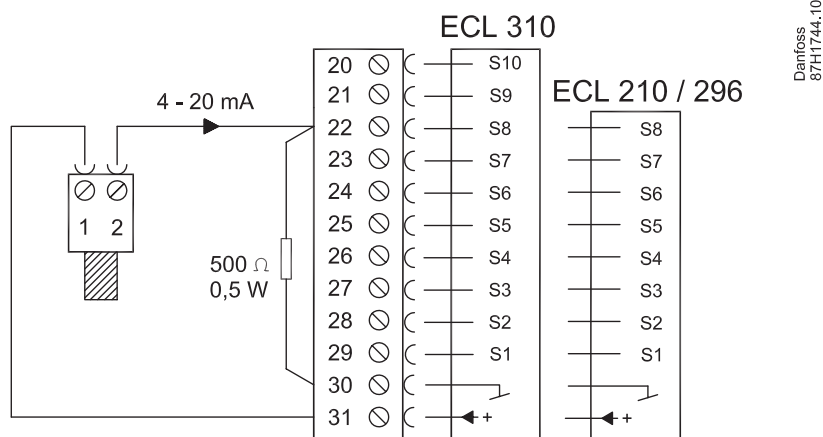
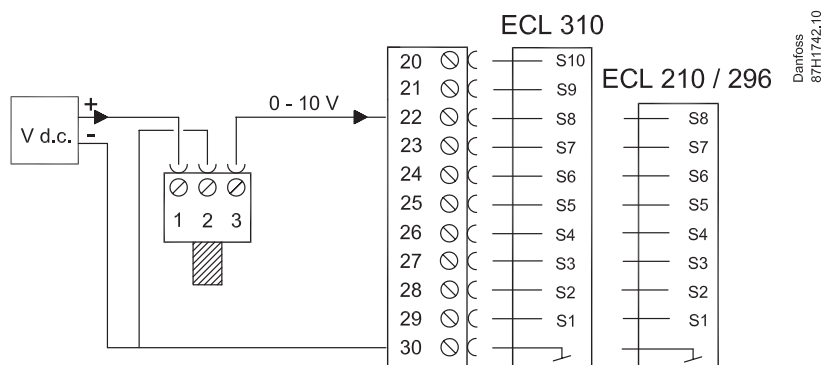




A:
A230.4

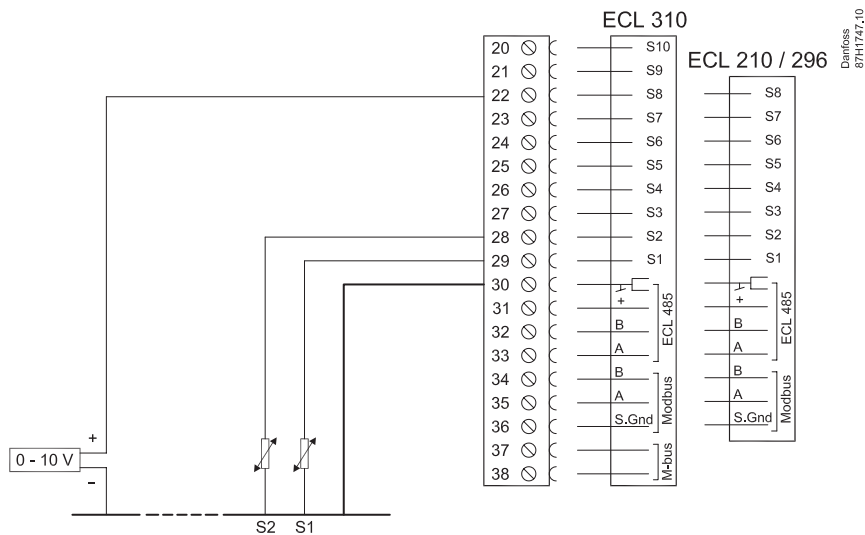


S8

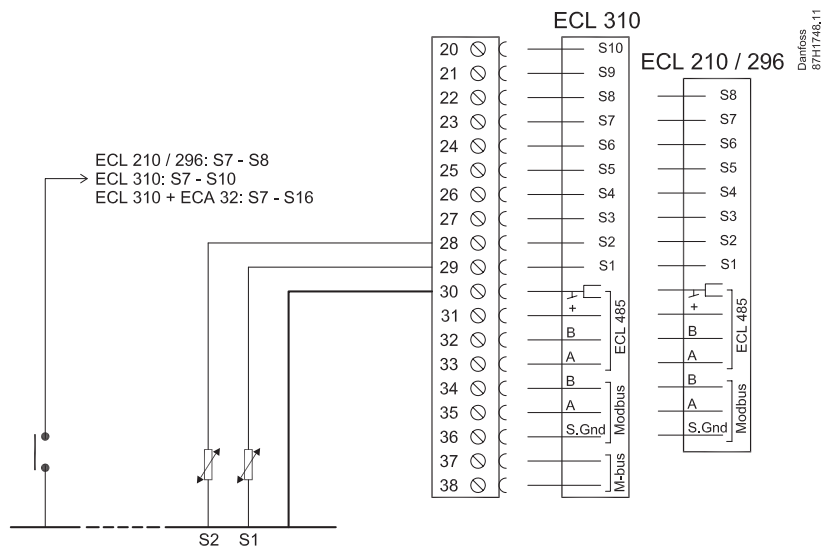




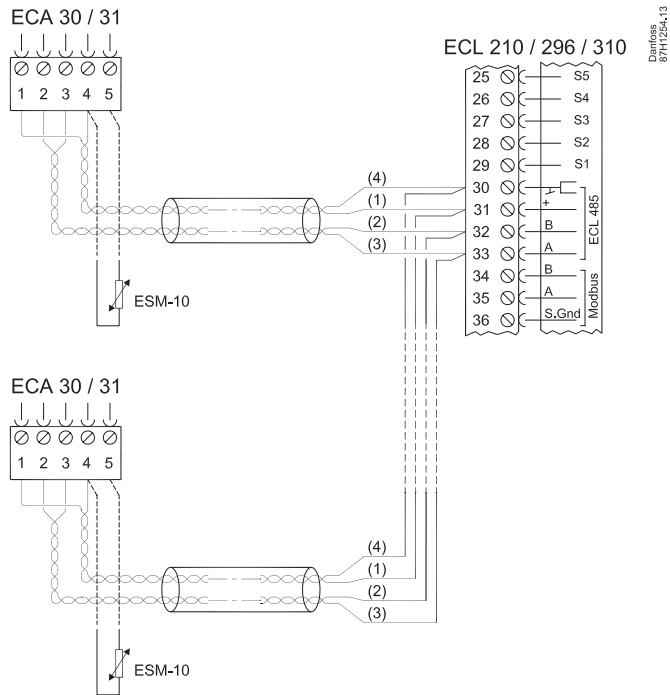
B



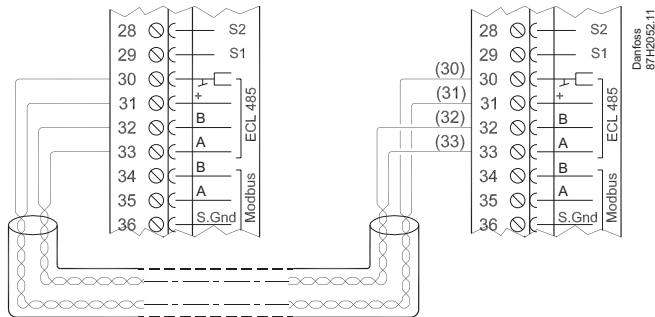
A230.1, A230.2, A230.3, A230.4



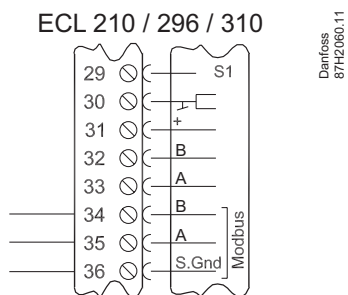
ECA 30 / 31



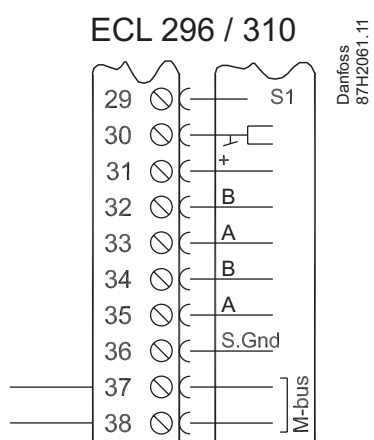
Master / slave



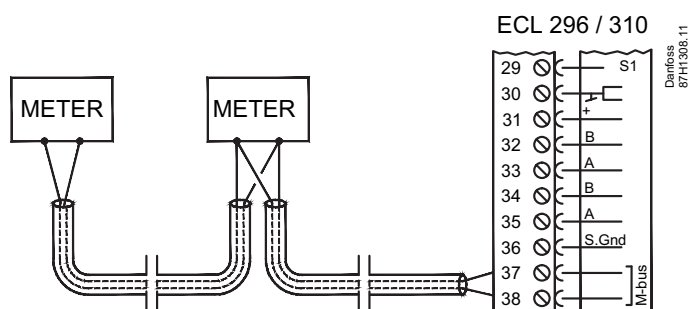
Modbus



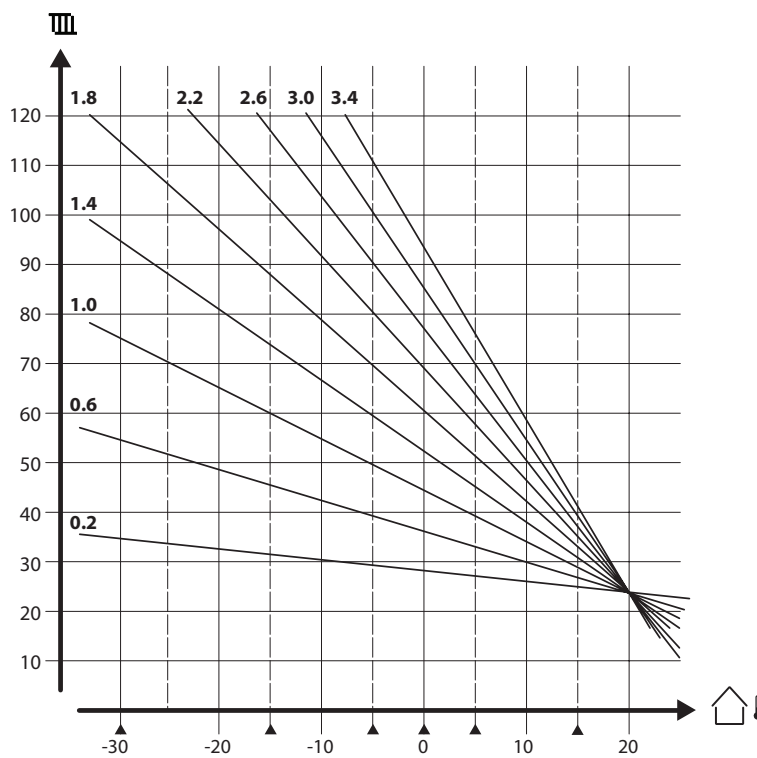
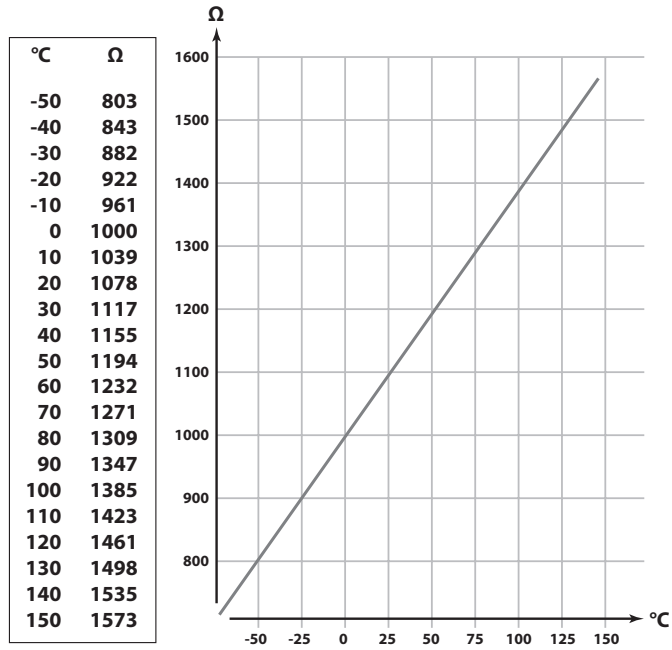
M-bus



M-bus

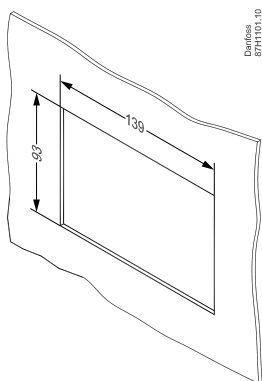


Pt 1000 (IEC 751B, 1000 Ω / 0 $^{\circ}\text{C}$)

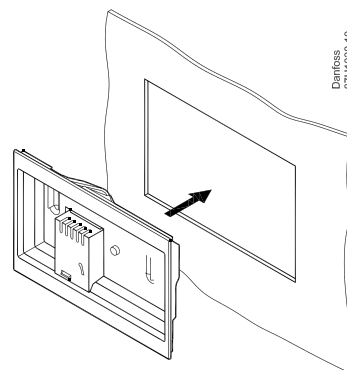


ECA 30

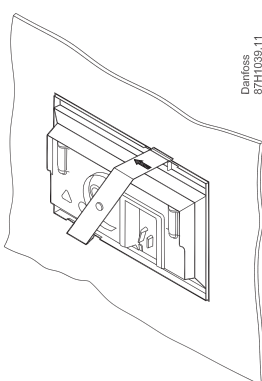
1



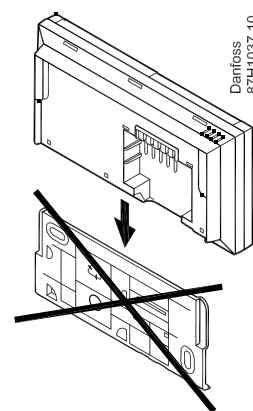
2



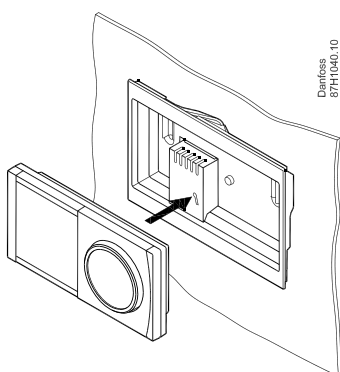
3



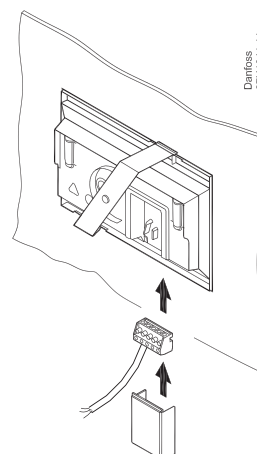
4



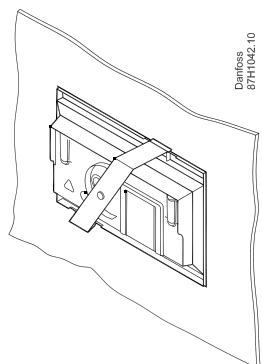
5



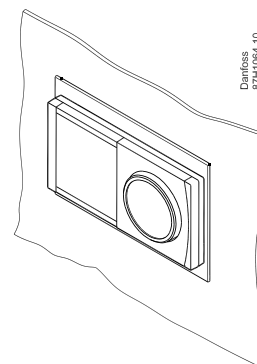
6



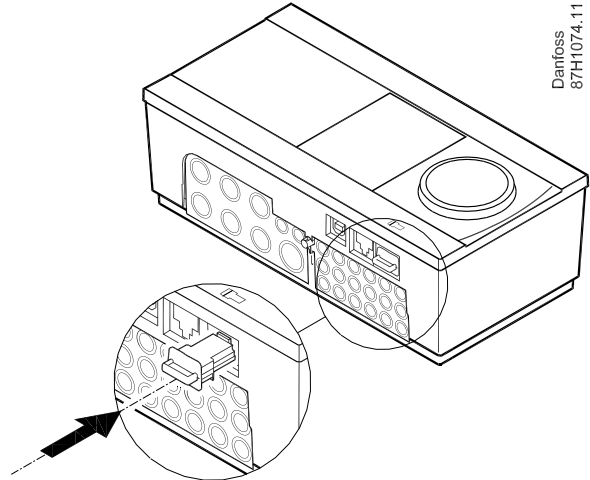
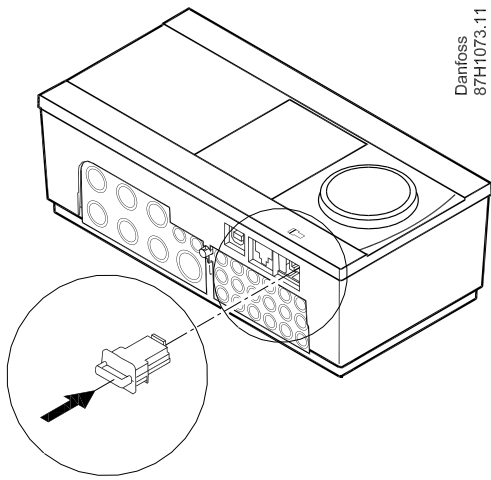
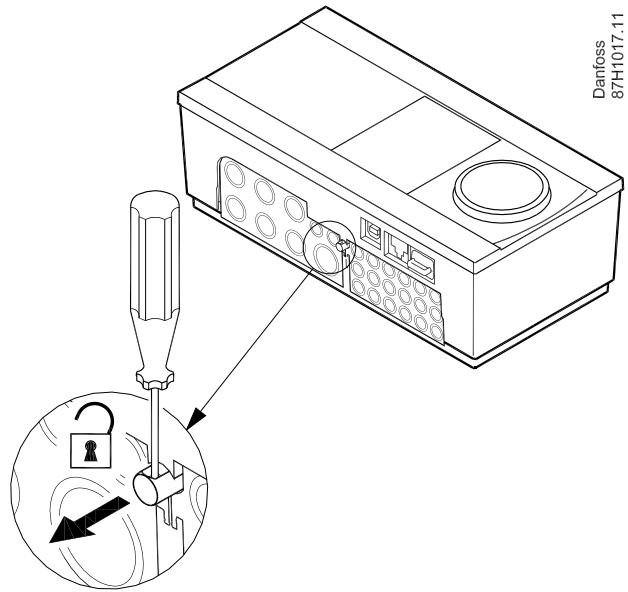
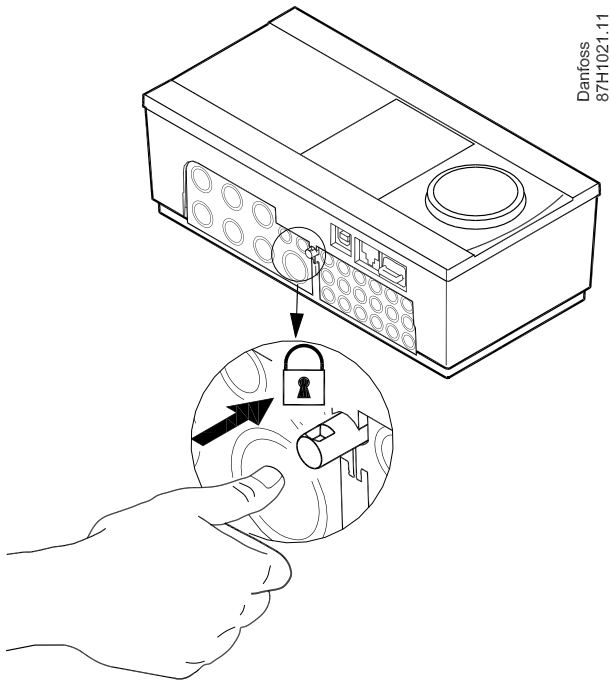
7



8



Installation Guide, ECL Comfort 210 / 296 / 310, A230



? **ECL Comfort 210 / 296 / 310, A230: www.heating.danfoss.com**



Danfoss A/S
Heating Segment • heating.danfoss.com • +45 7488 2222 • E-Mail: heating@danfoss.com

Danfoss can accept no responsibility for possible errors in catalogues, brochures and other printed material. Danfoss reserves the right to alter its products without notice. This also applies to products already on order provided that such alterations can be made without subsequential changes being necessary in specifications already agreed. All trademarks in this material are property of the respective companies. Danfoss and all Danfoss logotypes are trademarks of Danfoss A/S. All rights reserved.