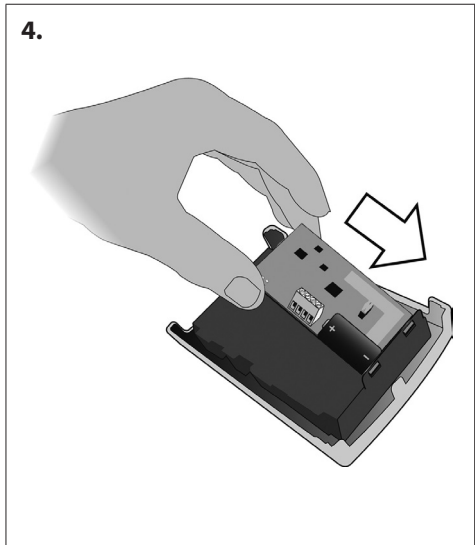
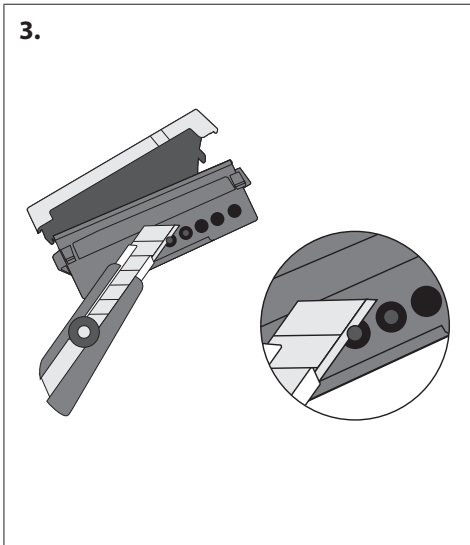
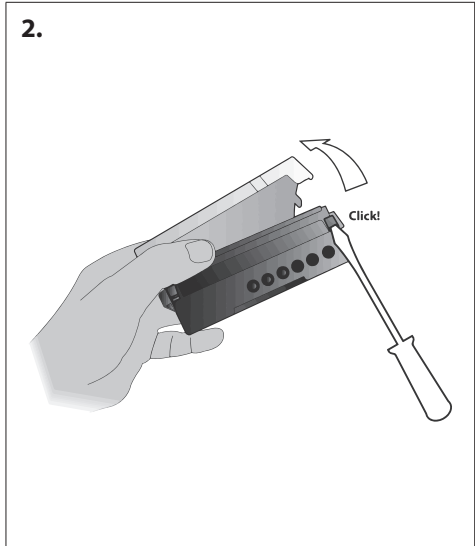
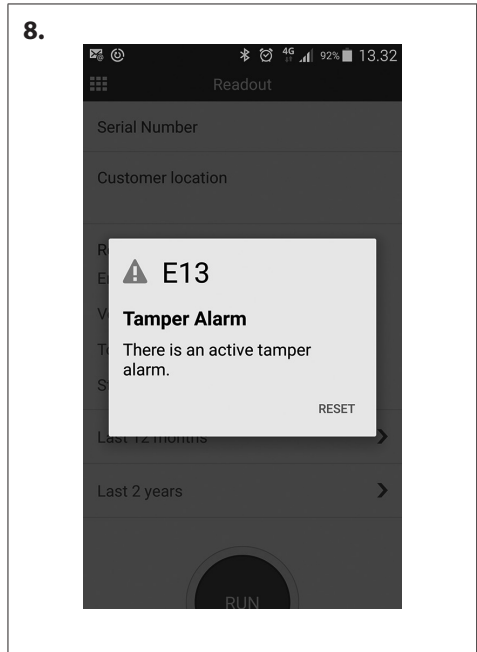
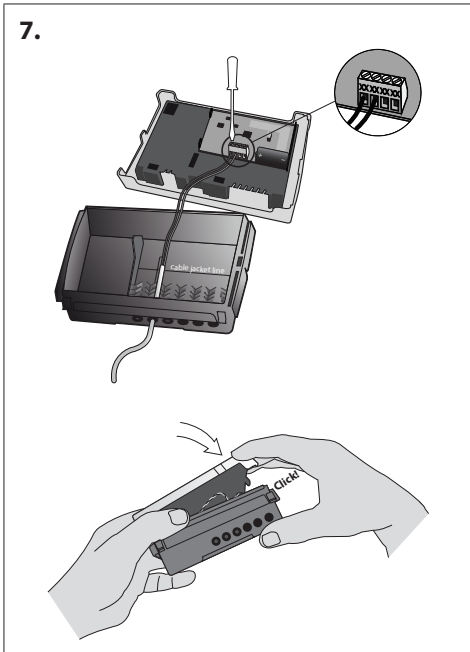
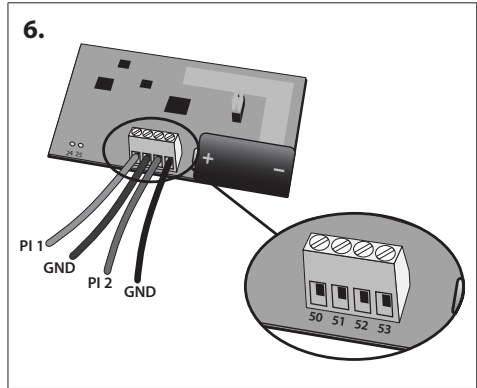
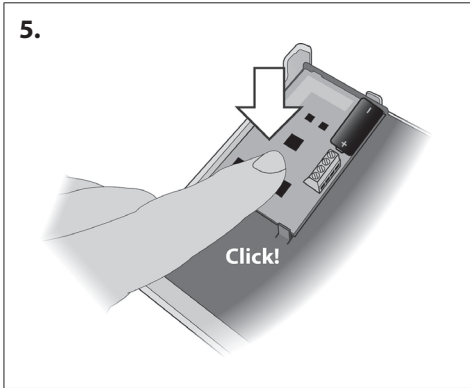


Installation Guide

Module with 2 pulse inputs





Danfoss A/S

Energy Meters • Ulvehavevej 61 • DK-7100 Vejle • Denmark
 Phone: +45 7488 8500 • Fax: +45 7488 8501
 heating@danfoss.com • www.heating.danfoss.com

Danfoss can accept no responsibility for possible errors in catalogues, brochures and other printed material. Danfoss reserves the right to alter its products without notice. This also applies to products already on order provided that such alterations can be made without consequential changes being necessary in specifications already agreed. All trademarks in this material are property of the respective companies. Danfoss and the Danfoss logotype are trademarks of Danfoss A/S. All rights reserved.