

Instructions



060R9750

060R9750

Pressure Controls

KP1, KP1W, KP1A, KP2, KP5, KP5A, KP6W, KP6B, KP6S, KP6AW, KP6AB, KP6AS, KP7W, KP7B, KP7S

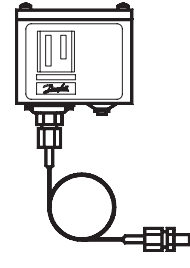
KP 1, 2, 5, 7: HFC, HCFC, CFC
 KP 6: HFC, HCFC, CFC, CO₂
 KP 1A, 5A, 6A: R 717 (NH₂)



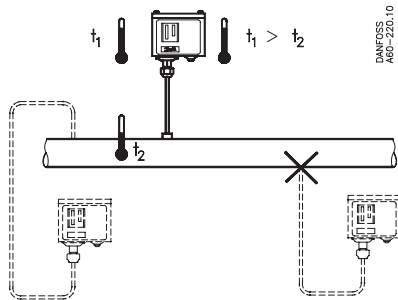
KP 1, 2, 5, 6, 7



KP 1, 2, 5, 6, 7



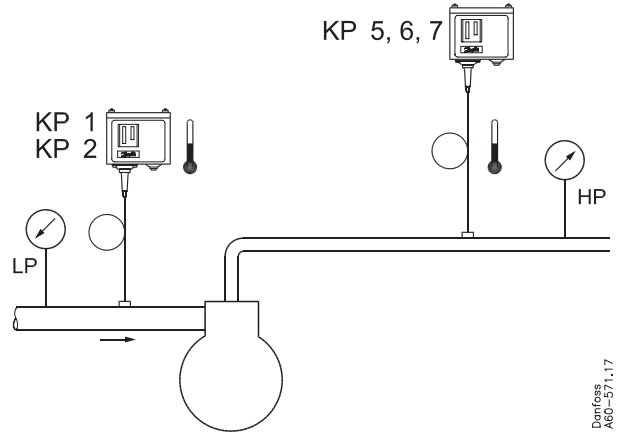
KP 1A, 5A



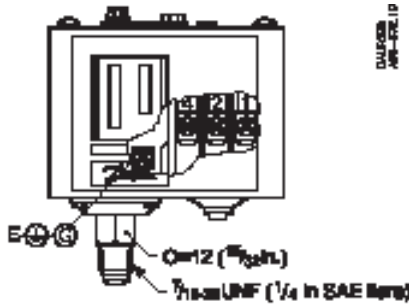
DANFOSS
A60-220.10

t1 min. KP 1,2,5: -40C (-40F)
 t1 min. KP 6,7: -25C (-13F)
 t1 max.: 65C (150F)

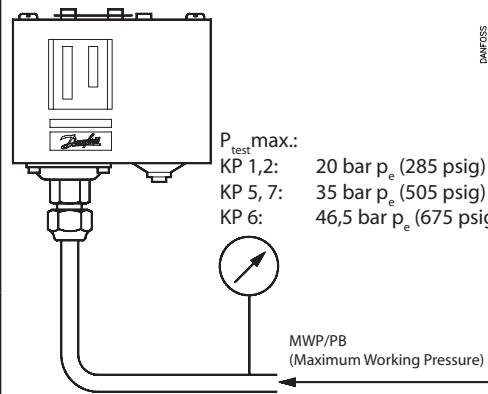
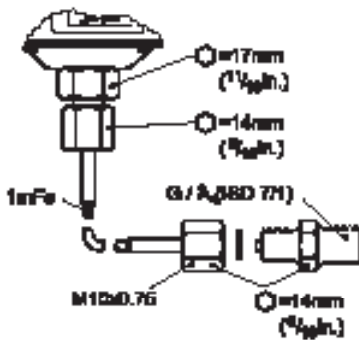
Relative humidity RH: 30 to 98%
 vibrations resistance: 4g (10-1000 Hz)



Danfoss
A60-571.17



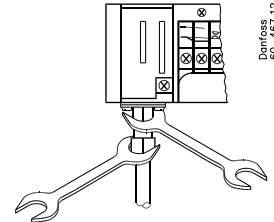
DANFOSS
A60-492.13



DANFOSS
A60-573.17

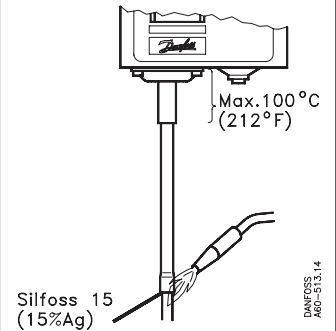
P_{test} max.:
 KP 1,2: 20 bar p_e (285 psig)
 KP 5, 7: 35 bar p_e (505 psig)
 KP 6: 46,5 bar p_e (675 psig)

MWP/PB
 (Maximum Working Pressure)

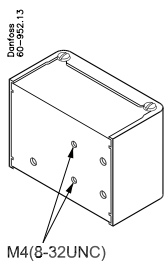


Danfoss
60-497.12

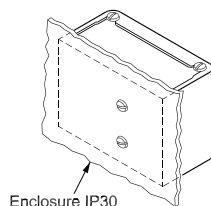
Type	Range	MWP/PB
KP 1	-0.2 → 7.5 bar	250 psi / 17 bar
KP 1, reset	-0.9 → 7 bar	250 psi / 17 bar
KP 1W	0.5 → 3 bar	250 psi / 17 bar
KP 2	-0.2 → 5 bar	250 psi / 17 bar
KP 5	8 → 32 bar	505 psi / 35 bar
KP 6	8 → 42 bar	675 psi / 46.5 bar
KP 7	8 → 32 bar	505 psi / 35 bar



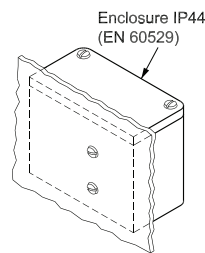
DANFOSS
A60-513.14



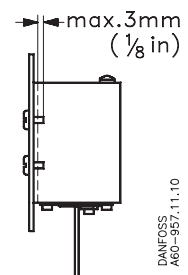
M4(8-32UNC)



Enclosure IP30
 (EN 60529)

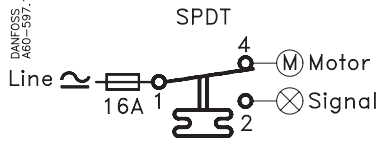


Enclosure IP44
 (EN 60529)

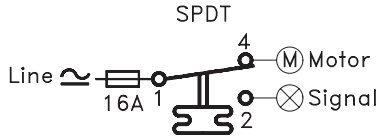


DANFOSS
A60-987.11.10

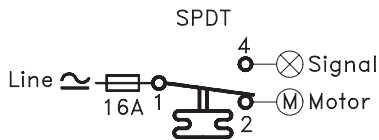
DANFOSS
A60-597.16



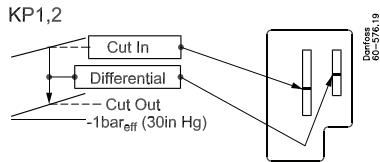
Contact 1-4 opens on pressure drop



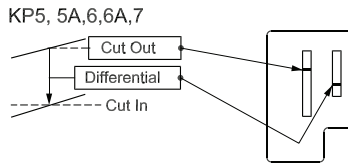
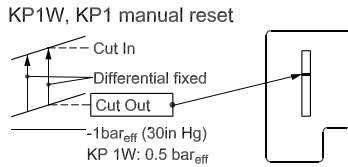
Contact 1-4 opens on pressure drop



Contact 1-2 opens on pressure rise



Danfoss
60-576.19



Electrical rating - General

LR 112A	AC 1: 16A AC 3: 16A AC 15: 10A	400 V ≈	DC 13 12 W 220 V ≈
---------	--------------------------------------	---------	--------------------------

Short circuit protection: Fuse 16 Amp.

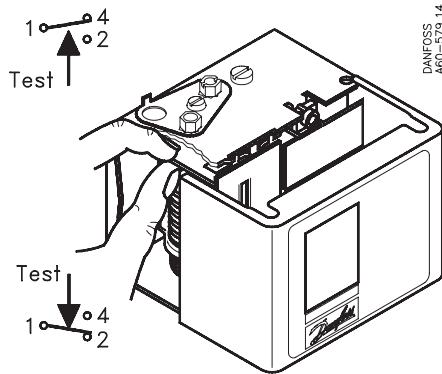
When used acc. to UL regulations

UL Listed refrigeration controller 61B5

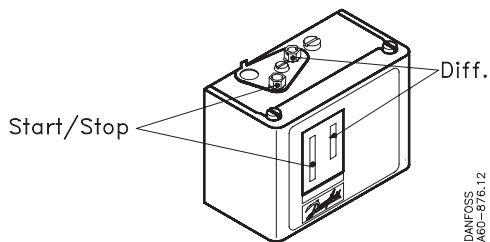
Voltage	FL		Resist. load	Pilot duty
	AC	DC		
240	8	48	8A	3 A
120	16	96	16A	
	240			12W

Use copper wire only
Tightening torque 20lb.in.

Automatic reset

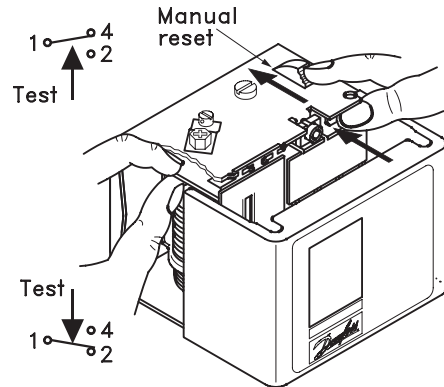


DANFOSS
A60-579.14

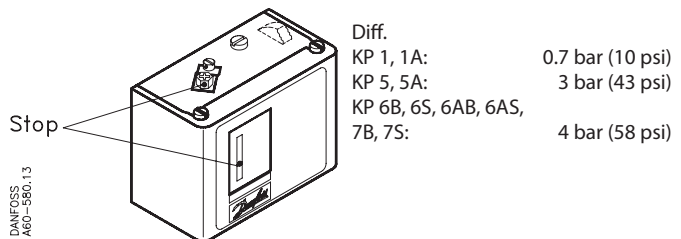


DANFOSS
A60-676.12

Manual reset



DANFOSS
A60-578.16

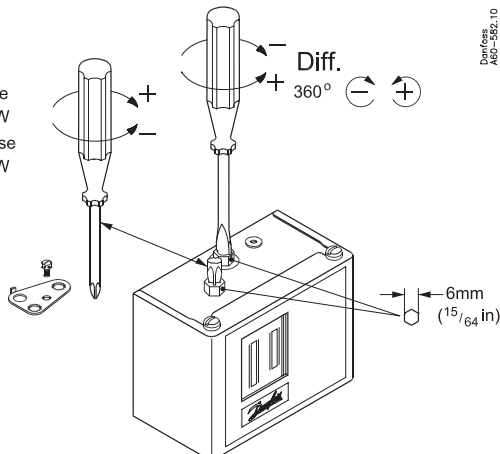


DANFOSS
A60-580.13

Diff.
KP 1, 1A: 0.7 bar (10 psi)
KP 5, 5A: 3 bar (43 psi)
KP 6B, 6S, 6AB, 6AS, 7B, 7S: 4 bar (58 psi)

Range

- Increase 360° CW
- Decrease 360° CW



Danfoss
A60-582.10