

Installation guide

# Pressure operated water valve

## WVFX 10 – WVFX 25 and WVO 10 – WVO 25

003R9743

003R9743

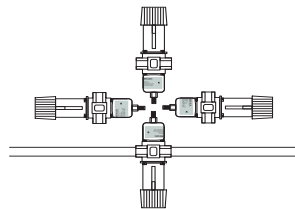
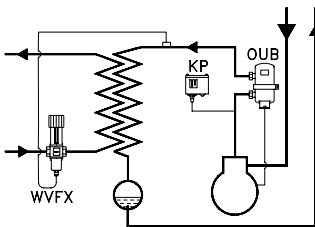
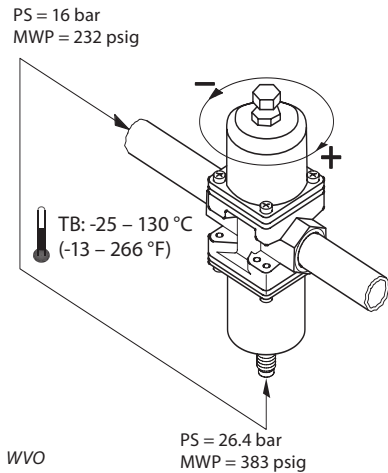
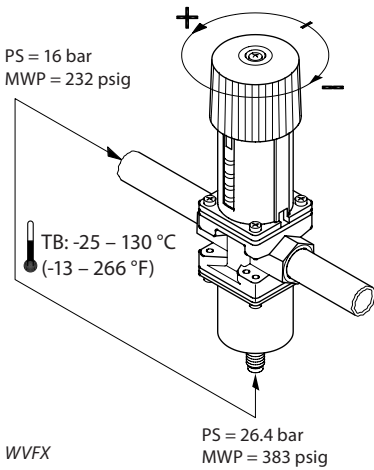
**Refrigerants:**

R22, R1270, R134a, R290, R404A, R407A, R407C, R407F, R410A\*, R448A, R449A, R450A, R452A, R507A, R513A, R600, R600a, R717\*\*

For complete list of approved refrigerants, visit [www.products.danfoss.com](http://www.products.danfoss.com) and search for individual code numbers, where refrigerants are listed as part of technical data.

\* High pressure refrigerants version (45,2 MWP) only

\*\* WVFX 10 – WVFX 25 and WVO 10 – WVO 25 with flare connection only; versions with capillary tube or with solder connections are not compatible with R717.



\* only WVFX valves

