

European Catalogue

Optyma™ Packaged condensing units

R452A, R134a, R513A, R448A, R449A, R407A, R407F, R404A/R507, R744, R454C, R455A, R1234yf - 50 Hz



Danfoss Optyma™ packaged condensing units 4	Optyma™ Plus INVERTER 118
Optyma™ Slim Pack 6	Performance data 119
Performance data 7	R448A/R449A MBP 119
R452A LBP 7	R404A MBP 120
R404A/R507 LBP 9	Technical data 121
R455A LBP 11	Spare parts & accessories - MBP 121
R454C LBP 12	Spare parts & accessories list 122
R134a MBP 13	Dimensions 123
R513A MBP 17	Housing spare parts 123
R1234yf MBP 21	Optyma™ iCO2 124
R448A MBP 22	Performance data 125
R449A MBP 26	R744 MBP 125
R452A MBP 30	Technical data 126
R404A/R507 MBP 34	Spare parts & accessories list 127
R455A MBP 38	
R454C MBP 41	
Technical data 43	
Spare parts & accessories 45	
Spare parts & accessories list 55	
Dimensions 59	
Housing spare parts 61	
Optyma™ Plus 62	
Performance data 63	
R452A LBP 63	
R404A/R507 LBP 65	
R448A LBP 67	
R449A LBP 68	
R455A LBP 69	
R454C LBP 70	
R134a MBP 71	
R513A MBP 74	
R1234yf MBP 77	
R448A MBP 78	
R449A MBP 82	
R452A MBP 86	
R404A/R507 MBP 90	
R455A MBP 94	
R454C MBP 96	
Technical data 98	
Spare parts & accessories 100	
Spare parts & accessories list 110	
Dimensions 114	
Housing spare parts 116	

Danfoss Optyma™ packaged condensing units

Highly efficient and reliable plug and play condensing units designed with the contractor and end-user in mind, and providing unique benefits.



Benefits for the contractor

- Simple and fast selection and installation, reduced maintenance time
- Models compatible with multiple lower GWP refrigerants
- Reduced refrigerant costs thanks to microchannel condenser inside



Benefits for the end-user

- Higher food safety and longer products shelf life
- Units suitable for residential areas thanks to low sound level operation
- Reduced life cycle costs of refrigeration equipment thanks to highly efficient units

Optyma™ Slim Pack (W05)



Compact and cost effective.
With microchannel condenser



Optyma™ Slim Pack (W09)



Cost effective and efficient.
W05 base + fan speed controller and main switch



Multi-refrigerants A1+A2L

Optyma™ Plus (P00)



Reliability & connectivity to the cloud.
With electronic controller



Optyma™ with Liquid Injection (P02)

P00 base + Liquid injection feature with electronic expansion valve and dedicated electronic controller.



Multi-refrigerants A1+A2L

Optyma™ Plus INVERTER (P01)



Unmatched efficiency for high energy savings.
With variable speed drive



MBP and LBP applications



- ✓ Cold rooms, display cabinets in convenience stores, mini-markets, restaurants, fisheries, butcheries, bakeries, florists, laboratories
- ✓ Wine cellars
- ✓ Milk cooling
- ✓ Industrial processes
- ✓ Dairy and general food storage

Designation

OP - MSXM034 ML W05 G

OP = Optyma™

1 2 3 4 5 6 7 8

1	Application: M = MBP ; L = LBP
2	Condensing unit family: S = Slim Pack / P = OP Plus and OP Plus INVERTER
3	Refrigerant: A = R744; B = R404A/R507, R448A, R449A, R452A; G = R134a, R513A; H = R404A/R507; I = R404A/R507, R134a, R407A, R407F, R448A, R513A, R449A, R452A, R454C, R455A; K = R404A, R448A, R449A, R452A, R454C, R455A; O = R452A, R404A/R507, R448A, R449A; P = R448A/R449A, R407A/F, R404A/R507; Q = R452A, R404A/R507; S = R134a, R513A, R1234yf; T = R404A/R507, R455A, R454C, R448A/R449A, R452A; V = R454C, R455A, R452A, R404A/R507; X = R404A/R507, R134a, R407A, R407F, R448A, R513A, R449A, R452A; Y = R404A/R507, R449A;
4	M = Microchannel heat condenser
5	Displacement in cm ³ : Example 034 = 34 cm ³
6	Compressor platform VVL = variable speed scroll VLZ DX/DP/DS/DY/SC/CS/NTZ = Fixed Speed Recip Compressor MLZ and LLZ = Fixed speed Scroll Compressor
7	Version: W05/W09 : Optyma™ Slim Pack P00 : Optyma™ Plus P01 : Optyma™ Plus INVERTER P02 : Optyma™ Plus with Liquid Injection
8	Electrical code: G = 230V/1-phase compressor & fan E = 400V/3-phase compressor & 230V/1-phase fan

Feature overview:

	Optyma™ Slim Pack		Optyma™ Plus		Optyma™ Plus INVERTER	Optyma™ iCO ₂
	(W05)	(W09)	(P00)	(P02)	(P01)	(P04)
IP level	IP54		IP54		IP54	IP54
Compressor technology	Scroll/Reciprocating		Scroll/Reciprocating	Scroll	Variable speed scroll	Variable speed scroll
Control box (pre-wired E-panel)	yes		yes		yes	yes
Microchannel condenser	yes		yes		yes	yes
Fan speed controller	-	yes	yes		yes	yes
Main switch (circuit breaker)	-	yes	yes		yes	yes
Filter drier (flare connections)	yes		yes		yes	yes (brazed)
Sight glass	yes		yes		yes	yes
Crankcase heater	yes		yes		yes	yes
HP/LP adjustable pressostat	Auto/Manual reset mode		Electronic		Electronic	Electronic
Fail safe mini-pressostat	-		Mechanical		Mechanical	Mechanical
Access door(s)	-		yes		yes	yes
Acoustic insulation	-		yes		yes	yes
Condensing unit electronic controller	-		yes		yes	yes
Network connectivity	-		yes		yes	yes
Stack mounting	-		yes		-	yes
Oil separator	-		-		yes	yes
Discharge gas thermostat	yes*		yes		yes	yes
HP/LP Alarm	yes*		yes		yes	yes
Liquid injection kit	-		-	yes	-	-
Net weight in kg	B1 housing: from 50.4 to 53 B2 housing: from 61.5 to 77 B3 housing: from 76 to 79		H1 housing: from 49 to 53 H2 housing: from 80 to 94 H3 housing: from 101 to 107 H4 housing: 169	H3 housing: from 135 and 136 H4 housing: 161 and 166	124 & 125	116
Dimensions in mm (height x width x depth)	B1 housing: 530 x 910 x 364 B2 housing: 690 x 1079 X464 B3 housing: 825 x 1105 x 464		H1 housing: 605 X 941 X 406 H2 housing: 813 X 1090 X 480 H3 housing: 965 X 1441 X 531 H4 housing: 966 X 1835 X 650	H3 housing: 965 X 1441 X 531 H4 housing: 966 X 1835 X 650	965 x 1406 x 481	835 x 1340 x 500

* Not premounted, provision available

Overview by range and refrigerant:

Min / Max Cooling capacity range [kW]	Optyma™ Slim Pack	Optyma™ Plus	Optyma™ with Liquid injection	Optyma™ Plus INVERTER	Optyma™ iCO ₂
Medium temperature (MBP)					
R744	-	-	-	-	4.6
R448A/R449A	0.8 - 11.0	0.8 - 16.2	-	5.9 - 9.1	-
R134a	0.6 - 6.6	1.3 - 10.2	-	-	-
R513A	0.6 - 7.0	1.3 - 10.3	-	-	-
R452A	0.8 - 10.8	0.8 - 16.1	-	-	-
R404A/507	0.8 - 10.3	0.8 - 16.1	-	6.0 - 9.1	-
R455A	0.8 - 5.7	0.8 - 5.7	-	-	-
R454C	0.7 - 5.2	0.7 - 5.2	-	-	-
R1234yf	0.6 - 1.4	1.2 - 1.4	-	-	-
Low temperature (LBP)					
R448A/R449A	-	-	2.5 - 6.6	-	-
R452A	0.3 - 3.4	0.4 - 1.7	2.4 - 6.3	-	-
R404A/507	0.4 - 3.6	0.4 - 1.7	2.6 - 5.8	-	-
R455A	0.3 - 1.5	0.3 - 5.9	-	-	-
R454C	0.3 - 1.2	0.3 - 5.0	-	-	-

Rating conditions EN 13215 (Mid point):

MBP: Ambient temp = 32°C, Evap temp = -10°C, Superheat = 10K, Subcooling = 0K / **LBP:** Ambient temp = 32°C, Evap temp = -35°C, Superheat = 10K, Subcooling = 0K

Optyma™ Slim Pack

Light on refrigerant, heavy on efficiency

Get it all with Optyma™ **Slim Pack**. It combines quiet operation and more value for money with an energy-efficient and compact solution.



Quick and safe installation and service

Same serviceable units, upgraded for A2L refrigerants. Ignition proof tested in TÜV laboratory.



High SEPR*

All models in the range are highly efficient and well above EcoDesign 2018 thresholds, contributing to a reduction in energy costs.
*SEPR: Seasonal Energy Performance Ratio.



A2L

Multi-refrigerants units for complexity reduction, available with new code numbers. Go A2L for a sustainable compliant choice.



Suitable for residential areas

It operates up to 7 dB(A) lower than other packaged units of the same capacity and the fan-speed controller further reduces the sound level by up to 4 dB(A).

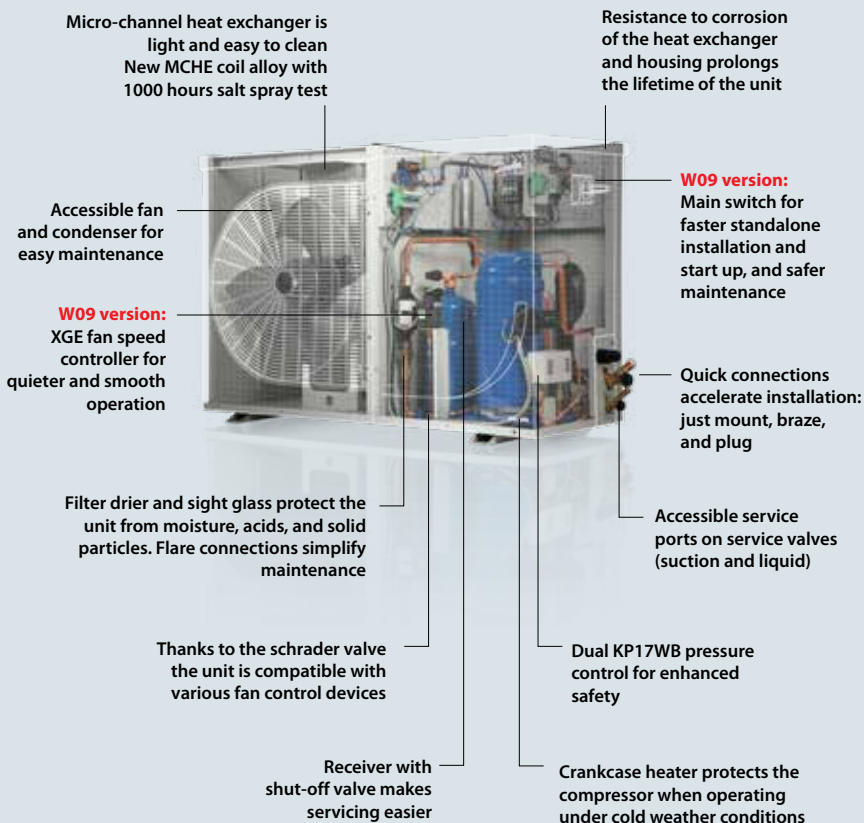


Optimized footprint for floor and wall mounting

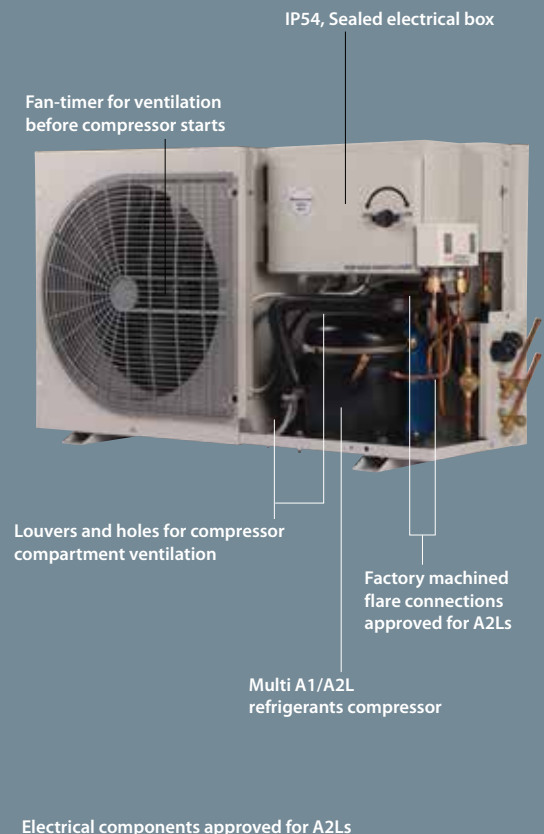
Thanks to its slim design and low weight, it is easy to transport and handle during installation – particularly for wall mounting.



Standard range (W05 and W09)



Multi refrigerant range (W05 and W09)



Model	Code	Version	Refrigerant group	Electrical code (1)	Tamb [°C]	Cooling capacity Q [kW] (2)							EcoDesign (3)		Min Fuse rating g _L /g (A)	Sound pressure level @ 10m dB(A)
						Evaporating Temperature (Mid point) [°C]							COP	SEPR		
						-40°C	-35°C	-30°C	-25°C	-20°C	-15°C	-10°C				
OP-LSQM014DP	114X7106 114X7129	W05 W09	A1	G	27	0.34	0.44	0.56	0.68	0.81	0.94	-	0.98	-	6	31
					32	0.30	0.40	0.50	0.61	0.73	0.85	-				
					38	-	0.34	0.43	0.53	0.63	0.74	-				
					43	-	0.29	0.37	0.46	0.55	0.66	-				
OP-LSVM014DP	114X7263 114X7295	W05 W09	A1 + A2L	G	27	0.34	0.44	0.56	0.68	0.81	0.94	-	0.98	-	6	31
					32	0.30	0.40	0.50	0.61	0.73	0.85	-				
					38	-	0.34	0.43	0.53	0.63	0.74	-				
					43	-	0.29	0.37	0.46	0.55	0.66	-				
OP-LSQM018DP	114X7107 114X7130	W05 W09	A1	G	27	0.35	0.48	0.63	0.79	0.96	1.15	-	1.00	-	6	32
					32	0.31	0.43	0.56	0.71	0.87	1.04	-				
					38	-	0.37	0.48	0.61	0.75	0.91	-				
					43	-	0.31	0.42	0.53	0.66	0.80	-				
OP-LSVM016DP	114X7242 114X7296	W05 W09	A1 + A2L	G	27	0.35	0.48	0.63	0.79	0.96	1.15	-	1.00	-	6	32
					32	0.31	0.43	0.56	0.71	0.87	1.04	-				
					38	-	0.37	0.48	0.61	0.75	0.91	-				
					43	-	0.31	0.42	0.53	0.66	0.80	-				
OP-LSVM026DS	114X7227 114X7297	W05 W09	A1 + A2L	G	27	0.49	0.70	0.95	1.23	1.55	1.90	-	0.98	-	10	39
					32	0.44	0.63	0.86	1.13	1.42	1.75	-				
					38	-	0.56	0.76	1.00	1.27	1.58	-				
					43	-	0.49	0.68	0.90	1.15	1.44	-				
OP-LSVM034DS	114X7228 114X7298	W05 W09	A1 + A2L	G	27	0.67	0.95	1.27	1.63	2.04	2.48	-	1.02	-	10	39
					32	0.60	0.86	1.16	1.49	1.87	2.28	-				
					38	-	0.75	1.02	1.33	1.67	2.05	-				
					43	-	0.67	0.91	1.19	1.50	1.86	-				
OP-LSQM048NT	114X7087 114X7181	W05 W09	A1	G	27	0.84	1.17	1.57	2.02	2.54	3.11	-	1.15	-	12	42
					32	0.71	1.02	1.38	1.80	2.27	2.79	-				
					38	0.57	0.84	1.17	1.54	1.96	2.42	-				
					43	0.47	0.71	1.00	1.33	1.71	2.11	-				
OP-LSVM048NT	114X7244 114X7282	W05 W09	A1 + A2L	G	27	0.84	1.17	1.57	2.02	2.54	3.11	-	1.15	-	12	42
					32	0.71	1.02	1.38	1.80	2.27	2.79	-				
					38	0.57	0.84	1.17	1.54	1.96	2.42	-				
					43	0.47	0.71	1.00	1.33	1.71	2.11	-				
OP-LSQM048NT	114X7088 114X7182	W05 W09	A1	E	27	0.80	1.13	1.52	1.94	2.42	2.94	-	1.10	-	6	42
					32	0.69	0.99	1.35	1.74	2.17	2.63	-				
					38	0.54	0.82	1.14	1.49	1.86	2.27	-				
					43	0.41	0.68	0.97	1.28	1.62	1.97	-				
OP-LSVM048NT	114X7245 114X7283	W05 W09	A1+A2L	E	27	0.80	1.13	1.52	1.94	2.42	2.94	-	1.10	-	6	42
					32	0.69	0.99	1.35	1.74	2.17	2.63	-				
					38	0.54	0.82	1.14	1.49	1.86	2.27	-				
					43	0.41	0.68	0.97	1.28	1.62	1.97	-				
OP-LSQM068NT	114X7090 114X7184	W05 W09	A1	E	27	1.29	1.73	2.23	2.77	3.33	3.91	-	1.17	-	10	43
					32	1.12	1.52	1.97	2.46	2.96	3.49	-				
					38	0.92	1.27	1.66	2.08	2.54	3.00	-				
					43	0.75	1.07	1.42	1.79	2.19	2.57	-				
OP-LSVM068NT	114X7247 114X7285	W05 W09	A1+A2L	E	27	1.29	1.73	2.23	2.77	3.33	3.91	-	1.17	-	10	43
					32	1.12	1.52	1.97	2.46	2.96	3.49	-				
					38	0.92	1.27	1.66	2.08	2.54	3.00	-				
					43	0.75	1.07	1.42	1.79	2.19	2.57	-				

LBP

(1) G - Compressor 230V/1Ph/50Hz, fan 230V/1Ph/50Hz
 E - Compressor 400V/3Ph/50Hz, fan 230V/1Ph/50Hz

(2) Nominal conditions (EN13215), Evaporating temperatures at Mid point, Superheat 10K, Subcooling 0K

(3) Rated conditions (EN13215), Evaporating temperature (Mid point) -35°C, Ambient air temperature +32°C, Return Gas Temperature 20°C, Subcooling 0K (NTZ comp models with 10K superheat)

This table continues on the next page



For regular updates and detailed capacities, please refer to **Coolselector®2** software



Model	Code	Version	Refrigerant group	Electrical code (1)	T _{amb} [°C]	Cooling capacity Q [kW] (2)							EcoDesign (3)		Min Fuse rating gL/gG (A)	Sound pressure level @ 10m dB(A)
						Evaporating Temperature (Mid point) [°C]							COP	SEPR		
						-40°C	-35°C	-30°C	-25°C	-20°C	-15°C	-10°C				
OP-LSQM068NT	114X7089 114X7183	W05 W09	A1	G	27	1.32	1.75	2.22	2.75	3.32	3.92	-	1.02	-	20	43
					32	1.11	1.52	1.96	2.44	2.96	3.51	-				
					38	0.88	1.25	1.65	2.08	2.54	3.02	-				
					43	0.70	1.03	1.40	1.79	2.21	2.63	-				
OP-LSQM067LL	114X7091 114X7187	W05 W09	A1	E	27	2.05	2.64	3.36	4.21	5.20	6.34	-	-	1.69	16	45
					32	1.90	2.44	3.10	3.88	4.80	5.86	-				
					38	1.73	2.20	2.79	3.49	4.31	5.27	-				
					43	1.59	2.01	2.53	3.15	3.90	4.77	-				
OP-LSQM084LL	114X7092 114X7188	W05 W09	A1	E	27	2.55	3.23	4.03	4.96	6.03	7.25	-	-	1.66	20	44
					32	2.35	2.97	3.71	4.57	5.56	6.69	-				
					38	2.10	2.66	3.32	4.09	4.98	6.00	-				
					43	1.88	2.38	2.98	3.67	4.48	5.41	-				
OP-LSQM098LL	114X7075 114X7189	W05 W09	A1	E	27	2.98	3.76	4.68	5.74	6.95	8.31	-	-	1.67	20	45
					32	2.74	3.46	4.30	5.28	6.40	7.66	-				
					38	2.43	3.08	3.84	4.71	5.71	6.85	-				
					43	2.18	2.76	3.43	4.22	5.12	6.15	-				

LBP

(1) **G** - Compressor 230V/1Ph/50Hz, fan 230V/1Ph/50Hz

E - Compressor 400V/3Ph/50Hz, fan 230V/1Ph/50Hz

(2) Nominal conditions (EN13215), Evaporating temperatures at Mid point, Superheat 10K, Subcooling 0K

(3) Rated conditions (EN13215), Evaporating temperature (Mid point) -35°C, Ambient air temperature +32°C, Return Gas Temperature 20°C, Subcooling 0K (NTZ comp models with 10K superheat)



For regular updates and detailed capacities, please refer to **Coolselector®2** software



Model	Code	Version	Refrigerant group	Electrical code (1)	Tamb [°C]	Cooling capacity Q [kW] (2)								EcoDesign (3)		Min Fuse rating gL/gG (A)	Sound pressure level @ 10m dB(A)
						Evaporating Temperature (Mid point) [°C]								COP	SEPR		
						-40°C	-35°C	-30°C	-25°C	-20°C	-15°C	-10°C					
OP-LSQM014DP	114X7106 114X7129	W05 W09	A1	G	27	0.37	0.50	0.65	0.81	0.99	1.18	-	1.04	-	6	31	
					32	0.33	0.45	0.58	0.73	0.90	1.08	-					
					38	0.29	0.39	0.51	0.64	0.79	0.95	-					
					43	-	0.34	0.44	0.56	0.70	0.85	-					
OP-LSVM014DP	114X7263 114X7295	W05 W09	A1 + A2L	G	27	0.37	0.50	0.65	0.81	0.99	1.18	-	1.04	-	6	31	
					32	0.33	0.45	0.58	0.73	0.90	1.08	-					
					38	0.29	0.39	0.51	0.64	0.79	0.95	-					
					43	-	0.34	0.44	0.56	0.70	0.85	-					
OP-LSVM016DP	114X7242 114X7296	W05 W09	A1 + A2L	G	27	0.39	0.54	0.72	0.91	1.12	1.36	-	1.08	-	6	32	
					32	0.35	0.49	0.64	0.82	1.02	1.24	-					
					38	0.30	0.42	0.56	0.72	0.90	1.09	-					
					43	-	0.36	0.49	0.63	0.79	0.98	-					
OP-LSQM018DP	114X7107 114X7130	W05 W09	A1	G	27	0.39	0.54	0.72	0.91	1.12	1.36	-	1.08	-	6	32	
					32	0.35	0.49	0.64	0.82	1.02	1.24	-					
					38	0.30	0.42	0.56	0.72	0.90	1.09	-					
					43	-	0.36	0.49	0.63	0.79	0.98	-					
OP-LSVM026DS	114X7227 114X7297	W05 W09	A1 + A2L	G	27	0.48	0.70	0.95	1.22	1.53	1.86	-	0.97	-	10	39	
					32	0.44	0.64	0.87	1.12	1.41	1.72	-					
					38	0.39	0.56	0.77	1.00	1.26	1.56	-					
					43	-	0.50	0.69	0.90	1.14	1.42	-					
OP-LSVM034DS	114X7228 114X7298	W05 W09	A1 + A2L	G	27	0.67	0.97	1.30	1.68	2.10	2.55	-	1.03	-	10	39	
					32	0.61	0.88	1.19	1.54	1.93	2.35	-					
					38	0.54	0.77	1.05	1.37	1.73	2.12	-					
					43	-	0.69	0.94	1.23	1.56	1.93	-					
OP-LSQM048NT	114X7087 114X7181	W05 W09	A1	G	27	0.79	1.15	1.59	2.11	2.71	3.39	-	1.02	-	12	42	
					32	0.67	1.00	1.40	1.88	2.43	3.05	-					
					38	0.51	0.81	1.18	1.60	2.09	2.65	-					
					43	0.39	0.66	0.99	1.37	1.81	-	-					
OP-LSVM048NT	114X7244 114X7282	W05 W09	A1+A2L	G	27	0.79	1.15	1.59	2.11	2.71	3.39	-	1.02	-	12	42	
					32	0.67	1.00	1.40	1.88	2.43	3.05	-					
					38	0.51	0.81	1.18	1.60	2.09	2.65	-					
					43	0.39	0.66	0.99	1.37	1.81	-	-					
OP-LSQM048NT	114X7088 114X7182	W05 W09	A1	E	27	0.80	1.16	1.60	2.10	2.68	3.32	-	1.14	-	6	42	
					32	0.68	1.02	1.41	1.88	2.40	2.99	-					
					38	0.55	0.85	1.20	1.61	2.07	2.60	-					
					43	0.44	0.71	1.02	1.38	1.80	-	-					
OP-LSVM048NT	114X7245 114X7283	W05 W09	A1+A2L	E	27	0.80	1.16	1.60	2.10	2.68	3.32	-	1.14	-	6	42	
					32	0.68	1.02	1.41	1.88	2.40	2.99	-					
					38	0.55	0.85	1.20	1.61	2.07	2.60	-					
					43	0.44	0.71	1.02	1.38	1.80	-	-					
OP-LSQM068NT	114X7089 114X7183	W05 W09	A1	G	27	1.36	1.82	2.37	3.02	3.76	4.59	-	1.07	-	20	43	
					32	1.21	1.63	2.13	2.72	3.39	4.13	-					
					38	1.04	1.41	1.85	2.36	2.94	3.59	-					
					43	0.89	1.23	1.62	2.07	2.58	-	-					
OP-LSQM068NT	114X7090 114X7184	W05 W09	A1	E	27	1.38	1.88	2.47	3.13	3.88	4.70	-	1.16	-	10	43	
					32	1.19	1.65	2.18	2.79	3.48	4.23	-					
					38	0.99	1.39	1.87	2.40	3.01	3.68	-					
					43	0.83	1.20	1.62	2.10	2.64	-	-					

This table continues on the next page

LBP

(1) **G** - Compressor 230V/1Ph/50Hz, fan 230V/1Ph/50Hz

E - Compressor 400V/3Ph/50Hz, fan 230V/1Ph/50Hz

(2) Nominal conditions (EN13215), Evaporating temperatures at Mid point, Superheat 10K, Subcooling 0K

(3) Rated conditions (EN13215), Evaporating temperature (Mid point) -35°C, Ambient air temperature +32°C, Return Gas Temperature 20°C, Subcooling 0K (NTZ comp models with 10K superheat)



For regular updates and detailed capacities, please refer to **Coolselector®2** software



Model	Code	Version	Refrigerant group	Electrical code (1)	Tamb [°C]	Cooling capacity Q [kW] (2)								EcoDesign (3)		Min Fuse rating gL/gG (A)	Sound pressure level @ 10m dB(A)
						Evaporating Temperature (Mid point) [°C]								COP	SEPR		
						-40°C	-35°C	-30°C	-25°C	-20°C	-15°C	-10°C					
OP-LSVM068NT	114X7247 114X7285	W05 W09	A1+A2L	E	27	1.38	1.88	2.47	3.13	3.88	4.70	-	1.16	-	20	43	
					32	1.19	1.65	2.18	2.79	3.48	4.23	-					
					38	0.99	1.39	1.87	2.40	3.01	3.68	-					
					43	0.83	1.20	1.62	2.10	2.64	-	-					
OP-LSQM067LL	114X7091 114X7187	W05 W09	A1	E	27	2.23	2.85	3.58	4.43	5.40	6.52	-	-	1.66	16	45	
					32	2.04	2.62	3.30	4.09	5.00	6.03	-					
					38	1.81	2.34	2.96	3.67	4.49	5.43	-					
					43	1.60	2.09	2.65	3.30	4.04	4.89	-					
OP-LSQM084LL	114X7092 114X7188	W05 W09	A1	E	27	2.68	3.40	4.28	5.30	6.49	7.85	-	-	1.69	20	44	
					32	2.46	3.14	3.94	4.88	5.98	7.22	-					
					38	2.19	2.80	3.52	4.36	5.33	6.45	-					
					43	1.95	2.50	3.15	3.91	4.78	5.78	-					
OP-LSQM098LL	114X7075 114X7189	W05 W09	A1	E	27	3.12	3.95	4.95	6.12	7.47	9.00	-	-	1.73	20	45	
					32	2.86	3.64	4.56	5.63	6.87	8.27	-					
					38	2.54	3.24	4.06	5.02	6.12	7.36	-					
					43	2.26	2.89	3.63	4.48	5.47	6.58	-					

LBP
(1) G - Compressor 230V/1Ph/50Hz, fan 230V/1Ph/50Hz

E - Compressor 400V/3Ph/50Hz, fan 230V/1Ph/50Hz

(2) Nominal conditions (EN13215), Evaporating temperatures at Mid point, Superheat 10K, Subcooling 0K

(3) Rated conditions (EN13215), Evaporating temperature (Mid point) -35°C, Ambient air temperature +32°C, Return Gas Temperature 20°C, Subcooling 0K (NTZ comp models with 10K superheat)

 For regular updates and detailed capacities, please refer to **Coolselector®2** software


Model	Code	Version	Refrigerant group	Electrical code (1)	Tamb [°C]	Cooling Capacity (2) in Watts							EcoDesign (3)		Min Fuse rating gL/gG (A)	Sound pressure level @ 10m dB(A)
						Evaporating Temperature (Mid point) [°C]							COP	SEPR		
						-40°C	-35°C	-30°C	-25°C	-20°C	-15°C	-10°C				
OP-LSVM014DP	114X7263 114X7295	W05 W09	A1 + A2L	G	27	-	0.43	0.54	0.67	0.81	0.96	-	0.89	-	6	31
					32	-	0.38	0.48	0.60	0.73	0.87	-				
					38	-	0.32	0.41	0.52	0.64	0.77	-				
					43	-	-	0.36	0.45	0.56	0.69	-				
OP-LSVM016DP	114X7242 114X7296	W05 W09	A1 + A2L	G	27	-	0.48	0.62	0.78	0.95	1.14	-	0.90	-	6	32
					32	-	0.43	0.56	0.70	0.86	1.04	-				
					38	-	0.36	0.47	0.61	0.75	0.92	-				
					43	-	-	0.41	0.53	0.67	0.82	-				
OP-LSVM026DS	114X7227 114X7297	W05 W09	A1 + A2L	G	27	-	0.64	0.87	1.13	1.42	1.74	-	0.93	-	10	39
					32	-	0.58	0.79	1.04	1.31	1.61	-				
					38	-	0.51	0.70	0.92	1.17	1.46	-				
					43	-	-	0.62	0.83	1.06	1.33	-				
OP-LSVM048NT	114X7244 114X7282	W05 W09	A1 + A2L	G	27	-	1.06	1.47	1.96	2.52	3.14	-	0.98	-	12	42
					32	-	0.94	1.31	1.75	2.26	2.83	-				
					38	-	0.78	1.11	1.50	1.95	2.46	-				
					43	-	-	0.95	1.30	1.70	2.16	-				
OP-LSVM034DS	114X7228 114X7298	W05 W09	A1 + A2L	G	27	-	0.99	1.34	1.73	2.16	2.62	-	0.98	-	10	39
					32	-	0.90	1.22	1.58	1.98	2.43	-				
					38	-	0.79	1.07	1.41	1.78	2.19	-				
					43	-	-	0.96	1.26	1.61	2.00	-				
OP-LSVM048NT	114X7245 114X7283	W05 W09	A1 + A2L	E	27	-	1.05	1.45	1.92	2.47	3.09	-	0.99	-	6	42
					32	-	0.93	1.29	1.72	2.22	2.79	-				
					38	-	0.79	1.10	1.48	1.92	2.42	-				
					43	-	-	0.95	1.29	1.68	2.13	-				
OP-LSVM068NT	114X7247 114X7285	W05 W09	A1 + A2L	E	27	-	1.61	2.09	2.63	3.21	3.81	-	0.98	-	10	43
					32	-	1.45	1.90	2.39	2.92	3.46	-				
					38	-	-	1.66	2.10	2.56	3.03	-				
					43	-	-	-	1.85	2.26	2.67	-				

LBP

(1) **G** - Compressor 230V/1Ph/50Hz, fan 230V/1Ph/50Hz

E - Compressor 400V/3Ph/50Hz, fan 230V/1Ph/50Hz

(2) Nominal conditions (EN13215), Evaporating temperatures at Mid point, Superheat 10K, Subcooling 0K

(3) Rated conditions (EN13215), Evaporating temperature (Mid point) -35°C, Ambient air temperature +32°C, Return Gas Temperature 20°C, Subcooling 0K (NTZ comp models with 10K superheat)

Model	Code	Version	Refrigerant group	Electrical code (1)	Tamb [°C]	Cooling capacity Q [kW] (2)						EcoDesign (3)		Min Fuse rating gL/gG (A)	Sound pressure level @ 10m dB(A)
						Evaporating Temperature (Mid point) [°C]						COP	SEPR		
						-40°C	-35°C	-30°C	-25°C	-20°C	-15°C				
OP-LSVM014DP	114X7263 114X7295	W05 W09	A1 + A2L	G	27	0.26	0.38	0.52	0.67	0.83	1.01	0.88	-	6	31
					32	0.23	0.34	0.46	0.6	0.75	0.92				
					38	0.19	0.29	0.4	0.52	0.66	0.82				
					43	-	0.24	0.34	0.46	0.59	0.73				
OP-LSVM016DP	114X7242 114X7296	W05 W09	A1 + A2L	G	27	0.27	0.4	0.54	0.69	0.86	1.05	0.87	-	6	32
					32	0.24	0.35	0.48	0.62	0.78	0.96				
					38	0.2	0.3	0.41	0.54	0.68	0.85				
					43	-	0.25	0.35	0.47	0.6	0.75				
OP-LSVM026DS	114X7227 114X7297	W05 W09	A1 + A2L	G	27	0.39	0.57	0.78	1.02	1.28	1.58	0.87	-	10	39
					32	0.35	0.52	0.71	0.93	1.18	1.47				
					38	0.31	0.45	0.63	0.83	1.06	1.33				
					43	-	0.4	0.56	0.75	0.96	1.21				
OP-LSVM034DS	114X7228 114X7298	W05 W09	A1 + A2L	G	27	0.63	0.91	1.24	1.61	2.03	2.48	0.96	-	10	39
					32	0.57	0.82	1.13	1.47	1.86	2.3				
					38	0.5	0.72	1	1.31	1.67	2.08				
					43	-	0.64	0.89	1.18	1.51	1.89				
OP-LSVM048NT	114X7245 114X7283	W05 W09	A1+A2L	E	27	-	0.85	1.17	1.56	2	2.51	0.89	-	6	39
					32	-	0.76	1.05	1.39	1.79	2.26				
					38	-	0.64	0.9	1.2	1.56	1.97				
					43	-	-	0.78	1.05	1.37	1.73				
OP-LSVM048NT	114X7244 114X7282	W05 W09	A1+A2L	G	27	-	0.91	1.25	1.65	2.11	2.63	0.91	-	12	42
					32	-	0.8	1.11	1.47	1.9	2.37				
					38	-	-	0.95	1.27	1.65	2.08				
					43	-	-	0.82	1.11	1.45	1.84				
OP-LSVM068NT	114X7247 114X7285	W05 W09	A1+A2L	E	27	-	1.35	1.81	2.35	2.96	3.63	0.88	-	10	43
					32	-	1.21	1.63	2.12	2.67	3.28				
					38	-	1.03	1.41	1.85	2.34	2.87				
					43	-	-	1.23	1.62	2.05	2.53				

LBP
(1) G - Compressor 230V/1Ph/50Hz, fan 230V/1Ph/50Hz

E - Compressor 400V/3Ph/50Hz, fan 230V/1Ph/50Hz

(2) Nominal conditions (EN13215), Evaporating temperatures at Mid point, Superheat 10K, Subcooling 0K

(3) Rated conditions (EN13215), Evaporating temperature (Mid point) -35°C, Ambient air temperature +32°C, Return Gas Temperature 20°C, Subcooling 0K (NTZ comp models with 10K superheat)

 For regular updates and detailed capacities, please refer to **Coolselector®2** software


Model	Code	Version	Refrigerant group	Electrical code (1)	Tamb [°C]	Cooling capacity Q [kW] (2)						EcoDesign (3)		Min Fuse rating gL/gG (A)	Sound pressure level @ 10m dB(A)
						Evaporating Temperature (Mid point) [°C]						COP	SEPR		
						-15°C	-10°C	-5°C	0°C	5°C	10°C				
OP-MSGM012SC	114X7099 114X7207	W05 W09	A1	G	27	0.55	0.69	0.86	1.06	1.28	1.53	1.71	-	4	31
					32	0.50	0.64	0.80	0.99	1.20	1.44				
					38	0.45	0.58	0.73	0.90	1.11	1.34				
					43	0.40	0.52	0.66	0.83	1.03	1.25				
OP-MSSM012SC	114X7238 114X7291	W05 W09	A1 + A2L	G	27	0.55	0.69	0.86	1.06	1.28	1.53	1.71	-	4	31
					32	0.50	0.64	0.80	0.99	1.20	1.44				
					38	0.45	0.58	0.73	0.90	1.11	1.34				
					43	0.40	0.52	0.66	0.83	1.03	1.25				
OP-MSGM015SC	114X7100 114X7208	W05 W09	A1	G	27	0.59	0.76	0.95	1.18	1.44	1.73	1.64	-	6	31
					32	0.56	0.72	0.90	1.12	1.36	1.63				
					38	0.52	0.67	0.84	1.03	1.26	1.51				
					43	0.47	0.62	0.78	0.96	1.17	1.40				
OP-MSSM015SC	114X7239 114X7292	W05 W09	A1 + A2L	G	27	0.59	0.76	0.95	1.18	1.44	1.73	1.64	-	6	31
					32	0.56	0.72	0.90	1.12	1.36	1.63				
					38	0.52	0.67	0.84	1.03	1.26	1.51				
					43	0.47	0.62	0.78	0.96	1.17	1.40				
OP-MSGM018SC	114X7101 114X7131	W05 W09	A1	G	27	0.76	0.94	1.14	1.38	1.65	1.95	1.61	-	6	32
					32	0.68	0.86	1.06	1.29	1.55	1.85				
					38	0.61	0.77	0.97	1.19	1.44	1.73				
					43	0.56	0.72	0.90	1.11	1.36	1.63				
OP-MSSM018SC	114X7240 114X7293	W05 W09	A1 + A2L	G	27	0.76	0.94	1.14	1.38	1.65	1.95	1.61	-	6	32
					32	0.68	0.86	1.06	1.29	1.55	1.85				
					38	0.61	0.77	0.97	1.19	1.44	1.73				
					43	0.56	0.72	0.90	1.11	1.36	1.63				
OP-MSGM021SC	114X7102 114X7132	W05 W09	A1	G	27	0.89	1.11	1.36	1.64	1.95	2.29	1.74	-	6	32
					32	0.81	1.03	1.27	1.54	1.84	2.17				
					38	0.73	0.93	1.16	1.42	1.70	2.02				
					43	0.67	0.85	1.07	1.31	1.58	1.88				
OP-MSSM021SC	114X7241 114X7294	W05 W09	A1 + A2L	G	27	0.89	1.11	1.36	1.64	1.95	2.29	1.74	-	6	32
					32	0.81	1.03	1.27	1.54	1.84	2.17				
					38	0.73	0.93	1.16	1.42	1.70	2.02				
					43	0.67	0.85	1.07	1.31	1.58	1.88				
OP-MSSM026CS	114X7248 114X7304	W05 W09	A1 + A2L	G	27	1.22	1.58	1.97	2.39	2.85	3.33	1.98	-	10	38
					32	1.11	1.44	1.81	2.21	2.65	3.11				
					38	0.97	1.28	1.62	2.00	2.41	2.85				
					43	0.85	1.14	1.46	1.82	2.21	2.63				
OP-MSSM030CS	114X7249 114X7305	W05 W09	A1 + A2L	G	27	1.34	1.75	2.20	2.69	3.23	3.82	1.86	-	10	38
					32	1.22	1.60	2.03	2.50	3.02	3.59				
					38	1.06	1.42	1.82	2.27	2.77	3.32				
					43	0.94	1.27	1.65	2.08	2.56	3.09				
OP-MSXM034ML	114X7062 114X7196	W05 W09	A1	E	27	1.82	2.29	2.83	3.47	4.19	5.00	2.25	-	8	40
					32	1.72	2.16	2.69	3.29	3.98	4.76				
					38	1.60	2.01	2.50	3.07	3.72	4.46				
					43	1.50	1.89	2.35	2.88	3.50	4.21				
OP-MSIM034ML	114X7266 114X7274	W05 W09	A1+A2L	E	27	1.82	2.29	2.83	3.47	4.19	5.00	2.25	-	8	40
					32	1.72	2.16	2.69	3.29	3.98	4.76				
					38	1.60	2.01	2.50	3.07	3.72	4.46				
					43	1.50	1.89	2.35	2.88	3.50	4.21				

This table continues on the next page

MBP

(1) G - Compressor 230V/1Ph/50Hz, fan 230V/1Ph/50Hz

E - Compressor 400V/3Ph/50Hz, fan 230V/1Ph/50Hz

(2) Nominal conditions (EN13215), Evaporating temperatures at Mid point, Superheat 10K, Subcooling 0K

(3) Rated conditions (EN13215), Evaporating temperature (Mid) -10°C, Ambient air temperature +32°C, Return Gas Temperature 20°C, Subcooling 0K



For regular updates and detailed capacities, please refer to **Coolselector®2** software



Model	Code	Version	Refrigerant group	Electrical code (1)	Tamb [°C]	Cooling capacity Q [kW] (2)						EcoDesign (3)		Min Fuse rating gL/gG (A)	Sound pressure level @ 10m dB(A)
						Evaporating Temperature (Mid point) [°C]						COP	SEPR		
						-15°C	-10°C	-5°C	0°C	5°C	10°C				
OP-MSXM034ML	114X7061 114X7195	W05 W09	A1	G	27	1.82	2.32	2.88	3.51	4.22	5.00	2.17	-	20	40
					32	1.71	2.19	2.73	3.34	4.02	4.79				
					38	1.58	2.03	2.54	3.12	3.77	4.50				
					43	1.48	1.89	2.37	2.92	3.54	4.25				
OP-MSIM034ML	114X7267 114X7275	W05 W09	A1+A2L	G	27	1.82	2.32	2.88	3.51	4.22	5.00	2.17	-	20	40
					32	1.71	2.19	2.73	3.34	4.02	4.79				
					38	1.58	2.03	2.54	3.12	3.77	4.50				
					43	1.48	1.89	2.37	2.92	3.54	4.25				
OP-MSXM044ML	114X7162 114X7212	W05 W09	A1	E	27	2.32	2.90	3.58	4.37	5.26	6.26	2.23	-	12	41
					32	2.19	2.74	3.39	4.14	4.99	5.94				
					38	2.03	2.54	3.15	3.85	4.66	5.55				
					43	1.90	2.38	2.95	3.61	4.37	5.22				
OP-MSIM044ML	114X7268 114X7276	W05 W09	A1+A2L	E	27	2.32	2.90	3.58	4.37	5.26	6.26	2.23	-	12	41
					32	2.19	2.74	3.39	4.14	4.99	5.94				
					38	2.03	2.54	3.15	3.85	4.66	5.55				
					43	1.90	2.38	2.95	3.61	4.37	5.22				
OP-MSXM044ML	114X7161 114X7211	W05 W09	A1	G	27	2.31	2.92	3.61	4.39	5.27	6.24	2.01	-	25	41
					32	2.17	2.75	3.41	4.16	5.01	5.95				
					38	2.01	2.54	3.16	3.87	4.67	5.57				
					43	1.88	2.36	2.94	3.61	4.37	5.23				
OP-MSIM044ML	114X7269 114X7277	W05 W09	A1+A2L	G	27	2.31	2.92	3.61	4.39	5.27	6.24	2.01	-	25	41
					32	2.17	2.75	3.41	4.16	5.01	5.95				
					38	2.01	2.54	3.16	3.87	4.67	5.57				
					43	1.88	2.36	2.94	3.61	4.37	5.23				
OP-MSXM046ML	114X7064 114X7198	W05 W09	A1	E	27	2.48	3.09	3.82	4.66	5.62	6.69	2.33	-	12	41
					32	2.34	2.92	3.61	4.42	5.33	6.36				
					38	2.17	2.71	3.36	4.12	4.98	5.95				
					43	2.02	2.54	3.15	3.86	4.67	5.59				
OP-MSIM046ML	114X7270 114X7278	W05 W09	A1+A2L	E	27	2.48	3.09	3.82	4.66	5.62	6.69	2.33	-	12	41
					32	2.34	2.92	3.61	4.42	5.33	6.36				
					38	2.17	2.71	3.36	4.12	4.98	5.95				
					43	2.02	2.54	3.15	3.86	4.67	5.59				
OP-MSXM046ML	114X7063 114X7197	W05 W09	A1	G	27	2.47	3.11	3.85	4.69	5.63	6.67	2.07	-	32	41
					32	2.32	2.93	3.64	4.45	5.35	6.36				
					38	2.14	2.71	3.37	4.13	4.99	5.96				
					43	2.01	2.52	3.14	3.86	4.68	5.60				
OP-MSIM046ML	114X7271 114X7279	W05 W09	A1+A2L	G	27	2.47	3.11	3.85	4.69	5.63	6.67	2.07	-	32	41
					32	2.32	2.93	3.64	4.45	5.35	6.36				
					38	2.14	2.71	3.37	4.13	4.99	5.96				
					43	2.01	2.52	3.14	3.86	4.68	5.60				
OP-MSXM057ML	114X7066 114X7200	W05 W09	A1	E	27	2.99	3.75	4.63	5.63	6.76	8.02	2.28	-	12	42
					32	2.81	3.54	4.38	5.33	6.41	7.61				
					38	2.60	3.28	4.06	4.96	5.97	7.10				
					43	2.42	3.06	3.80	4.64	5.60	6.66				
OP-MSIM057ML	114X7272 114X7280	W05 W09	A1+A2L	E	27	2.99	3.75	4.63	5.63	6.76	8.02	2.28	-	12	42
					32	2.81	3.54	4.38	5.33	6.41	7.61				
					38	2.60	3.28	4.06	4.96	5.97	7.10				
					43	2.42	3.06	3.80	4.64	5.60	6.66				

This table continues on the next page

MBP

(1) **G** - Compressor 230V/1Ph/50Hz, fan 230V/1Ph/50Hz

E - Compressor 400V/3Ph/50Hz, fan 230V/1Ph/50Hz

(2) Nominal conditions (EN13215), Evaporating temperatures at Mid point, Superheat 10K, Subcooling 0K

(3) Rated conditions (EN13215), Evaporating temperature (Mid) -10°C, Ambient air temperature +32°C, Return Gas Temperature 20°C, Subcooling 0K



For regular updates and detailed capacities, please refer to **Coolselector®2** software



Model	Code	Version	Refrigerant group	Electrical code (1)	Tamb [°C]	Cooling capacity Q [kW] (2)						EcoDesign (3)		Min Fuse rating gL/gG (A)	Sound pressure level @ 10m dB(A)
						Evaporating Temperature (Mid point) [°C]						COP	SEPR		
						-15°C	-10°C	-5°C	0°C	5°C	10°C				
OP-MSXM057ML	114X7065 114X7199	W05 W09	A1	G	27	2.98	3.76	4.65	5.65	6.76	7.99	1.90	-	32	42
					32	2.81	3.54	4.38	5.34	6.41	7.60				
					38	2.60	3.27	4.05	4.95	5.96	7.09				
					43	2.44	3.05	3.77	4.61	5.56	6.64				
OP-MSIM057ML	114X7273 114X7281	W05 W09	A1+A2L	G	27	2.98	3.76	4.65	5.65	6.76	7.99	1.90	-	32	42
					32	2.81	3.54	4.38	5.34	6.41	7.60				
					38	2.60	3.27	4.05	4.95	5.96	7.09				
					43	2.44	3.05	3.77	4.61	5.56	6.64				
OP-MSXM068ML	114X7068 114X7202	W05 W09	A1	E	27	3.69	4.63	5.74	7.02	8.47	10.10	2.41	-	16	43
					32	3.48	4.38	5.44	6.66	8.05	9.61				
					38	3.24	4.08	5.07	6.21	7.52	9.01				
					43	3.04	3.82	4.75	5.83	7.07	8.48				
OP-MSIM068ML	114X7311 114X7317	W05 W09	A1+A2L	E	27	3.69	4.63	5.74	7.02	8.47	10.10	2.47	-	16	43
					32	3.48	4.38	5.44	6.66	8.05	9.61				
					38	3.24	4.08	5.07	6.21	7.52	9.01				
					43	3.04	3.82	4.75	5.83	7.07	8.48				
OP-MSXM068ML	114X7067 114X7201	W05 W09	A1	G	27	3.79	4.66	5.75	7.04	8.47	10.03	2.11	-	40	43
					32	3.64	4.43	5.45	6.67	8.06	9.58				
					38	3.48	4.15	5.07	6.21	7.53	9.00				
					43	3.36	3.92	4.75	5.82	7.07	8.49				
OP-MSIM068ML	114X7312 114X7318	W05 W09	A1+A2L	G	27	3.79	4.66	5.75	7.04	8.47	10.03	2.16	-	40	43
					32	3.64	4.43	5.45	6.67	8.06	9.58				
					38	3.48	4.15	5.07	6.21	7.53	9.00				
					43	3.36	3.92	4.75	5.82	7.07	8.49				
OP-MSXM080ML	114X7070 114X7204	W05 W09	A1	E	27	4.28	5.39	6.67	8.13	9.78	11.63	-	3.43	20	44
					32	4.03	5.09	6.31	7.70	9.28	11.05				
					38	3.72	4.71	5.86	7.18	8.66	10.33				
					43	3.45	4.40	5.48	6.72	8.13	9.71				
OP-MSIM080ML	114X7313 114X7319	W05 W09	A1+A2L	E	27	4.28	5.39	6.67	8.13	9.78	11.63	-	3.61	20	44
					32	4.03	5.09	6.31	7.70	9.28	11.05				
					38	3.72	4.71	5.86	7.18	8.66	10.33				
					43	3.45	4.40	5.48	6.72	8.13	9.71				
OP-MSXM080ML	114X7069 114X7203	W05 W09	A1	G	27	4.25	5.47	6.79	8.23	9.82	11.58	-	3.08	45	44
					32	3.95	5.14	6.41	7.80	9.33	11.03				
					38	3.57	4.71	5.93	7.26	8.72	10.33				
					43	3.23	4.33	5.50	6.78	8.18	9.72				
OP-MSIM080ML	114X7314 114X7320	W05 W09	A1+A2L	G	27	4.25	5.47	6.79	8.23	9.82	11.58	-	3.17	45	44
					32	3.95	5.14	6.41	7.80	9.33	11.03				
					38	3.57	4.71	5.93	7.26	8.72	10.33				
					43	3.23	4.33	5.50	6.78	8.18	9.72				
OP-MSXM099ML	114X7071 114X7205	W05 W09	A1	E	27	5.33	6.67	8.26	10.09	12.14	14.39	-	3.89	20	44
					32	5.02	6.29	7.81	9.55	11.51	13.67				
					38	4.65	5.82	7.24	8.88	10.73	12.78				
					43	4.34	5.43	6.75	8.30	10.05	11.99				
OP-MSIM099ML	114X7315 114X7321	W05 W09	A1+A2L	E	27	5.33	6.67	8.26	10.09	12.14	14.39	-	4.01	20	44
					32	5.02	6.29	7.81	9.55	11.51	13.67				
					38	4.65	5.82	7.24	8.88	10.73	12.78				
					43	4.34	5.43	6.75	8.30	10.05	11.99				

This table continues on the next page

MBP

(1) **G** - Compressor 230V/1Ph/50Hz, fan 230V/1Ph/50Hz

E - Compressor 400V/3Ph/50Hz, fan 230V/1Ph/50Hz

(2) Nominal conditions (EN13215), Evaporating temperatures at Mid point, Superheat 10K, Subcooling 0K

(3) Rated conditions (EN13215), Evaporating temperature (Mid) -10°C, Ambient air temperature +32°C, Return Gas Temperature 20°C, Subcooling 0K



For regular updates and detailed capacities, please refer to **Coolselector®2** software



Model	Code	Version	Refrigerant group	Electrical code (1)	Tamb [°C]	Cooling capacity Q [kW] (2)						EcoDesign (3)		Min Fuse rating gL/gG (A)	Sound pressure level @ 10m dB(A)
						Evaporating Temperature (Mid point) [°C]						COP	SEPR		
						-15°C	-10°C	-5°C	0°C	5°C	10°C				
OP-MSXM108ML	114X7072 114X7206	W05 W09	A1	E	27	5.64	7.05	8.71	10.60	12.72	15.06	-	3.80	20	46
					32	5.30	6.64	8.22	10.03	12.06	14.30				
					38	4.89	6.14	7.62	9.32	11.24	13.35				
					43	4.55	5.71	7.10	8.71	10.52	12.53				
OP-MSIM108ML	114X7316 114X7322	W05 W09	A1+A2L	E	27	5.64	7.05	8.71	10.60	12.72	15.06	-	3.90	20	46
					32	5.30	6.64	8.22	10.03	12.06	14.30				
					38	4.89	6.14	7.62	9.32	11.24	13.35				
					43	4.55	5.71	7.10	8.71	10.52	12.53				

MBP

(1) **G** - Compressor 230V/1Ph/50Hz, fan 230V/1Ph/50Hz

E - Compressor 400V/3Ph/50Hz, fan 230V/1Ph/50Hz

(2) Nominal conditions (EN13215), Evaporating temperatures at Mid point, Superheat 10K, Subcooling 0K

(3) Rated conditions (EN13215), Evaporating temperature (Mid) -10°C, Ambient air temperature +32°C, Return Gas Temperature 20°C, Subcooling 0K



For regular updates and detailed capacities, please refer to **Coolselector®2** software



Model	Code	Version	Refrigerant group	Electrical code (1)	T _{amb} [°C]	Cooling capacity Q [kW] (2)						EcoDesign (3)		Min Fuse rating gL/gG (A)	Sound pressure level @ 10m dB(A)
						Evaporating Temperature (Mid point) [°C]						COP	SEPR		
						-15°C	-10°C	-5°C	0°C	5°C	10°C				
OP-MSSM012SC	114X7238 114X7291	W05 W09	A1 + A2L	G	27	0.57	0.72	0.89	1.09	1.31	1.56	1.68	-	4	31
					32	0.52	0.66	0.83	1.01	1.23	1.47				
					38	0.46	0.59	0.74	0.92	1.13	1.36				
					43	0.41	0.53	0.68	0.85	1.04	1.26				
OP-MSGM012SC	114X7099 114X7207	W05 W09	A1	G	27	0.57	0.72	0.89	1.09	1.31	1.56	1.68	-	4	31
					32	0.52	0.66	0.83	1.01	1.23	1.47				
					38	0.46	0.59	0.74	0.92	1.13	1.36				
					43	0.41	0.53	0.68	0.85	1.04	1.26				
OP-MSGM015SC	114X7100 114X7208	W05 W09	A1	G	27	0.62	0.79	0.98	1.21	1.47	1.76	1.61	-	6	31
					32	0.58	0.74	0.93	1.15	1.39	1.66				
					38	0.53	0.68	0.86	1.06	1.28	1.53				
					43	0.49	0.63	0.79	0.98	1.18	1.42				
OP-MSSM015SC	114X7239 114X7292	W05 W09	A1 + A2L	G	27	0.62	0.79	0.98	1.21	1.47	1.76	1.61	-	6	31
					32	0.58	0.74	0.93	1.15	1.39	1.66				
					38	0.53	0.68	0.86	1.06	1.28	1.53				
					43	0.49	0.63	0.79	0.98	1.18	1.42				
OP-MSGM018SC	114X7101 114X7131	W05 W09	A1	G	27	0.79	0.97	1.18	1.42	1.69	2.00	1.57	-	6	32
					32	0.70	0.88	1.09	1.32	1.59	1.88				
					38	0.62	0.79	0.99	1.21	1.47	1.76				
					43	0.57	0.73	0.92	1.13	1.37	1.65				
OP-MSSM018SC	114X7240 114X7293	W05 W09	A1 + A2L	G	27	0.79	0.97	1.18	1.42	1.69	2.00	1.57	-	6	32
					32	0.70	0.88	1.09	1.32	1.59	1.88				
					38	0.62	0.79	0.99	1.21	1.47	1.76				
					43	0.57	0.73	0.92	1.13	1.37	1.65				
OP-MSGM021SC	114X7102 114X7132	W05 W09	A1	G	27	0.92	1.14	1.40	1.68	1.99	2.34	1.69	-	6	32
					32	0.84	1.06	1.30	1.57	1.88	2.21				
					38	0.75	0.95	1.18	1.44	1.73	2.04				
					43	0.68	0.87	1.08	1.32	1.60	1.90				
OP-MSSM021SC	114X7241 114X7294	W05 W09	A1 + A2L	G	27	0.92	1.14	1.40	1.68	1.99	2.34	1.69	-	6	32
					32	0.84	1.06	1.30	1.57	1.88	2.21				
					38	0.75	0.95	1.18	1.44	1.73	2.04				
					43	0.68	0.87	1.08	1.32	1.60	1.90				
OP-MSSM026CS	114X7248 114X7304	W05 W09	A1 + A2L	G	27	1.10	1.41	1.77	2.16	2.58	3.04	1.99	-	10	38
					32	0.99	1.29	1.63	2.00	2.41	2.86				
					38	0.86	1.14	1.46	1.81	2.20	2.64				
					43	0.76	1.02	1.32	1.66	2.03	2.45				
OP-MSSM030CS	114X7249 114X7305	W05 W09	A1 + A2L	G	27	1.33	1.74	2.19	2.70	3.25	3.86	1.86	-	10	38
					32	1.20	1.59	2.02	2.50	3.04	3.62				
					38	1.05	1.41	1.81	2.27	2.78	3.35				
					43	0.92	1.26	1.64	2.08	2.57	3.11				
OP-MSXM034ML	114X7061 114X7195	W05 W09	A1	G	27	1.92	2.38	2.93	3.57	4.32	5.18	2.20	-	20	40
					32	1.80	2.24	2.76	3.37	4.07	4.88				
					38	1.66	2.07	2.55	3.11	3.77	4.53				
					43	1.53	1.92	2.37	2.90	3.51	4.22				
OP-MSIM034ML	114X7267 114X7275	W05 W09	A1+A2L	G	27	1.92	2.38	2.93	3.57	4.32	5.18	2.20	-	20	40
					32	1.80	2.24	2.76	3.37	4.07	4.88				
					38	1.66	2.07	2.55	3.11	3.77	4.53				
					43	1.53	1.92	2.37	2.90	3.51	4.22				

This table continues on the next page

MBP

(1) G - Compressor 230V/1Ph/50Hz, fan 230V/1Ph/50Hz

E - Compressor 400V/3Ph/50Hz, fan 230V/1Ph/50Hz

(2) Nominal conditions (EN13215), Evaporating temperatures at Mid point, Superheat 10K, Subcooling 0K

(3) Rated conditions (EN13215), Evaporating temperature (Mid) -10°C, Ambient air temperature +32°C, Return Gas Temperature 20°C, Subcooling 0K



For regular updates and detailed capacities, please refer to **Coolselector®2** software



Model	Code	Version	Refrigerant group	Electrical code (1)	Tamb [°C]	Cooling capacity Q [kW] (2)						EcoDesign (3)		Min Fuse rating gL/gG (A)	Sound pressure level @ 10m dB(A)
						Evaporating Temperature (Mid point) [°C]						COP	SEPR		
						-15°C	-10°C	-5°C	0°C	5°C	10°C				
OP-MSXM034ML	114X7062 114X7196	W05 W09	A1	E	27	1.94	2.40	2.95	3.60	4.34	5.19	2.26	-	8	40
					32	1.82	2.26	2.78	3.39	4.09	4.90				
					38	1.67	2.08	2.56	3.13	3.79	4.54				
					43	1.54	1.92	2.38	2.91	3.53	4.24				
OP-MSIM034ML	114X7266 114X7274	W05 W09	A1+A2L	E	27	1.94	2.40	2.95	3.60	4.34	5.19	2.26	-	8	40
					32	1.82	2.26	2.78	3.39	4.09	4.90				
					38	1.67	2.08	2.56	3.13	3.79	4.54				
					43	1.54	1.92	2.38	2.91	3.53	4.24				
OP-MSXM044ML	114X7161 114X7211	W05 W09	A1	G	27	2.41	2.99	3.67	4.46	5.37	6.40	1.96	-	25	41
					32	2.26	2.81	3.46	4.22	5.08	6.06				
					38	2.07	2.59	3.20	3.91	4.72	5.64				
					43	1.91	2.40	2.97	3.64	4.40	5.27				
OP-MSIM044ML	114X7269 114X7277	W05 W09	A1+A2L	G	27	2.41	2.99	3.67	4.46	5.37	6.40	1.96	-	25	41
					32	2.26	2.81	3.46	4.22	5.08	6.06				
					38	2.07	2.59	3.20	3.91	4.72	5.64				
					43	1.91	2.40	2.97	3.64	4.40	5.27				
OP-MSXM044ML	114X7162 114X7212	W05 W09	A1	E	27	2.48	3.07	3.76	4.56	5.47	6.49	2.32	-	12	41
					32	2.31	2.88	3.53	4.29	5.16	6.13				
					38	2.11	2.64	3.25	3.96	4.77	5.69				
					43	1.93	2.43	3.01	3.68	4.44	5.30				
OP-MSIM044ML	114X7268 114X7276	W05 W09	A1+A2L	E	27	2.48	3.07	3.76	4.56	5.47	6.49	2.32	-	12	41
					32	2.31	2.88	3.53	4.29	5.16	6.13				
					38	2.11	2.64	3.25	3.96	4.77	5.69				
					43	1.93	2.43	3.01	3.68	4.44	5.30				
OP-MSXM046ML	114X7063 114X7197	W05 W09	A1	E	27	2.56	3.17	3.89	4.72	5.68	6.75	1.99	-	12	41
					32	2.39	2.98	3.67	4.46	5.36	6.39				
					38	2.19	2.75	3.39	4.13	4.98	5.94				
					43	2.02	2.54	3.15	3.84	4.64	5.54				
OP-MSIM046ML	114X7270 114X7278	W05 W09	A1+A2L	E	27	2.63	3.25	3.97	4.81	5.77	6.84	2.32	-	12	41
					32	2.45	3.04	3.73	4.53	5.44	6.46				
					38	2.23	2.79	3.44	4.18	5.03	5.99				
					43	2.04	2.57	3.18	3.88	4.68	5.59				
OP-MSXM046ML	114X7064 114X7198	W05 W09	A1	G	27	2.63	3.25	3.97	4.81	5.77	6.84	2.32	-	32	41
					32	2.45	3.04	3.73	4.53	5.44	6.46				
					38	2.23	2.79	3.44	4.18	5.03	5.99				
					43	2.04	2.57	3.18	3.88	4.68	5.59				
OP-MSIM046ML	114X7271 114X7279	W05 W09	A1+A2L	G	27	2.56	3.17	3.89	4.72	5.68	6.75	1.99	-	32	41
					32	2.39	2.98	3.67	4.46	5.36	6.39				
					38	2.19	2.75	3.39	4.13	4.98	5.94				
					43	2.02	2.54	3.15	3.84	4.64	5.54				
OP-MSXM057ML	114X7065 114X7199	W05 W09	A1	G	27	3.14	3.89	4.75	5.74	6.86	8.10	2.06	-	32	42
					32	2.94	3.65	4.47	5.41	6.47	7.65				
					38	2.69	3.36	4.12	5.00	5.98	7.08				
					43	2.47	3.10	3.82	4.64	5.56	6.60				
OP-MSIM057ML	114X7273 114X7281	W05 W09	A1+A2L	G	27	3.14	3.89	4.75	5.74	6.86	8.10	2.06	-	32	42
					32	2.94	3.65	4.47	5.41	6.47	7.65				
					38	2.69	3.36	4.12	5.00	5.98	7.08				
					43	2.47	3.10	3.82	4.64	5.56	6.60				

This table continues on the next page

MBP

(1) **G** - Compressor 230V/1Ph/50Hz, fan 230V/1Ph/50Hz

E - Compressor 400V/3Ph/50Hz, fan 230V/1Ph/50Hz

(2) Nominal conditions (EN13215), Evaporating temperatures at Mid point, Superheat 10K, Subcooling 0K

(3) Rated conditions (EN13215), Evaporating temperature (Mid) -10°C, Ambient air temperature +32°C, Return Gas Temperature 20°C, Subcooling 0K



For regular updates and detailed capacities, please refer to **Coolselector®2** software



Model	Code	Version	Refrigerant group	Electrical code (1)	Tamb [°C]	Cooling capacity Q [kW] (2)						EcoDesign (3)		Min Fuse rating gL/gG (A)	Sound pressure level @ 10m dB(A)
						Evaporating Temperature (Mid point) [°C]						COP	SEPR		
						-15°C	-10°C	-5°C	0°C	5°C	10°C				
OP-MSXM057ML	114X7066 114X7200	W05 W09	A1	E	27	3.20	3.96	4.83	5.83	6.95	8.20	2.30	-	12	42
					32	2.97	3.70	4.53	5.48	6.55	7.74				
					38	2.69	3.37	4.16	5.05	6.05	7.17				
					43	2.44	3.09	3.83	4.67	5.62	6.67				
OP-MSIM057ML	114X7272 114X7280	W05 W09	A1+A2L	E	27	3.20	3.96	4.83	5.83	6.95	8.20	2.30	-	12	42
					32	2.97	3.70	4.53	5.48	6.55	7.74				
					38	2.69	3.37	4.16	5.05	6.05	7.17				
					43	2.44	3.09	3.83	4.67	5.62	6.67				
OP-MSXM068ML	114X7067 114X7201	W05 W09	A1	G	27	3.94	4.85	5.92	7.17	8.61	10.24	2.30	-	40	43
					32	3.68	4.55	5.58	6.77	8.14	9.69				
					38	3.37	4.19	5.14	6.26	7.54	9.01				
					43	3.10	3.87	4.77	5.82	7.03	8.41				
OP-MSIM068ML	114X7312 114X7318	W05 W09	A1+A2L	G	27	3.94	4.85	5.92	7.17	8.61	10.24	2.36	-	40	43
					32	3.68	4.55	5.58	6.77	8.14	9.69				
					38	3.37	4.19	5.14	6.26	7.54	9.01				
					43	3.10	3.87	4.77	5.82	7.03	8.41				
OP-MSXM068ML	114X7068 114X7202	W05 W09	A1	E	27	3.99	4.93	6.03	7.32	8.80	10.48	2.52	-	16	43
					32	3.75	4.64	5.69	6.92	8.32	9.92				
					38	3.44	4.28	5.26	6.41	7.73	9.22				
					43	3.18	3.97	4.89	5.97	7.21	8.62				
OP-MSIM068ML	114X7311 114X7317	W05 W09	A1+A2L	E	27	3.99	4.93	6.03	7.32	8.80	10.48	2.59	-	16	43
					32	3.75	4.64	5.69	6.92	8.32	9.92				
					38	3.44	4.28	5.26	6.41	7.73	9.22				
					43	3.18	3.97	4.89	5.97	7.21	8.62				
OP-MSXM080ML	114X7069 114X7203	W05 W09	A1	G	27	4.59	5.68	6.95	8.43	10.13	12.04	-	3.24	45	44
					32	4.31	5.34	6.56	7.96	9.57	11.38				
					38	3.95	4.93	6.06	7.37	8.87	10.57				
					43	3.65	4.56	5.63	6.86	8.27	9.87				
OP-MSIM080ML	114X7314 114X7320	W05 W09	A1+A2L	G	27	4.59	5.68	6.95	8.43	10.13	12.04	-	3.33	45	44
					32	4.31	5.34	6.56	7.96	9.57	11.38				
					38	3.95	4.93	6.06	7.37	8.87	10.57				
					43	3.65	4.56	5.63	6.86	8.27	9.87				
OP-MSXM080ML	114X7070 114X7204	W05 W09	A1	E	27	4.67	5.75	7.02	8.49	10.17	12.07	-	3.82	20	44
					32	4.37	5.40	6.61	8.00	9.60	11.40				
					38	4.00	4.97	6.09	7.39	8.88	10.57				
					43	3.69	4.59	5.65	6.87	8.27	9.86				
OP-MSIM080ML	114X7313 114X7319	W05 W09	A1+A2L	E	27	4.67	5.75	7.02	8.49	10.17	12.07	-	4.02	20	44
					32	4.37	5.40	6.61	8.00	9.60	11.40				
					38	4.00	4.97	6.09	7.39	8.88	10.57				
					43	3.69	4.59	5.65	6.87	8.27	9.86				
OP-MSXM099ML	114X7071 114X7205	W05 W09	A1	E	27	5.71	7.03	8.57	10.35	12.36	14.62	-	3.78	20	44
					32	5.34	6.60	8.06	9.74	11.64	13.78				
					38	4.88	6.06	7.42	8.98	10.75	12.75				
					43	4.49	5.60	6.87	8.33	9.99	11.86				
OP-MSIM099ML	114X7315 114X7321	W05 W09	A1+A2L	E	27	5.71	7.03	8.57	10.35	12.36	14.62	-	3.88	20	44
					32	5.34	6.60	8.06	9.74	11.64	13.78				
					38	4.88	6.06	7.42	8.98	10.75	12.75				
					43	4.49	5.60	6.87	8.33	9.99	11.86				

This table continues on the next page

MBP

(1) **G** - Compressor 230V/1Ph/50Hz, fan 230V/1Ph/50Hz
E - Compressor 400V/3Ph/50Hz, fan 230V/1Ph/50Hz

(2) Nominal conditions (EN13215), Evaporating temperatures at Mid point, Superheat 10K, Subcooling 0K

(3) Rated conditions (EN13215), Evaporating temperature (Mid) -10°C, Ambient air temperature +32°C, Return Gas Temperature 20°C, Subcooling 0K



For regular updates and detailed capacities, please refer to **Coolselector®2** software



Model	Code	Version	Refrigerant group	Electrical code (1)	Tamb [°C]	Cooling capacity Q [kW] (2)						EcoDesign (3)		Min Fuse rating gL/gG (A)	Sound pressure level @ 10m dB(A)
						Evaporating Temperature (Mid point) [°C]						COP	SEPR		
						-15°C	-10°C	-5°C	0°C	5°C	10°C				
OP-MSXM108ML	114X7072 114X7206	W05 W09	A1	E	27	6.08	7.49	9.14	11.02	13.16	15.56	-	3.79	20	46
					32	5.65	7.00	8.57	10.36	12.39	14.67				
					38	5.13	6.40	7.86	9.54	11.44	13.57				
					43	4.68	5.88	7.25	8.83	10.61	12.63				
OP-MSIM108ML	114X7316 114X7322	W05 W09	A1+A2L	E	27	6.08	7.49	9.14	11.02	13.16	15.56	-	3.88	20	46
					32	5.65	7.00	8.57	10.36	12.39	14.67				
					38	5.13	6.40	7.86	9.54	11.44	13.57				
					43	4.68	5.88	7.25	8.83	10.61	12.63				

MBP

(1) **G** - Compressor 230V/1Ph/50Hz, fan 230V/1Ph/50Hz

E - Compressor 400V/3Ph/50Hz, fan 230V/1Ph/50Hz

(2) Nominal conditions (EN13215), Evaporating temperatures at Mid point, Superheat 10K, Subcooling 0K

(3) Rated conditions (EN13215), Evaporating temperature (Mid) -10°C, Ambient air temperature +32°C, Return Gas Temperature 20°C, Subcooling 0K



For regular updates and detailed capacities, please refer to **Coolselector®2** software



Model	Code	Version	Refrigerant group	Electrical code (1)	T _{amb} [°C]	Cooling capacity Q [kW] (2)						EcoDesign (3)		Min Fuse rating gL/gG (A)	Sound pressure level @ 10m dB(A)
						Evaporating Temperature (Mid point) [°C]						COP	SEPR		
						-15°C	-10°C	-5°C	0°C	5°C	10°C				
OP-MSSM012SC	114X7238 114X7291	W05 W09	A1 + A2L	G	27	0.57	0.72	0.89	1.09	1.32	1.58	1.76	-	4	31
					32	0.52	0.66	0.82	1.02	1.24	1.49				
					38	0.46	0.59	0.74	0.93	1.13	1.37				
					43	0.41	0.53	0.68	0.85	1.05	1.28				
OP-MSSM015SC	114X7239 114X7292	W05 W09	A1 + A2L	G	27	0.61	0.78	0.98	1.22	1.48	1.78	1.68	-	6	31
					32	0.58	0.74	0.93	1.15	1.40	1.68				
					38	0.53	0.68	0.86	1.06	1.29	1.55				
					43	0.48	0.62	0.79	0.98	1.19	1.43				
OP-MSSM018SC	114X7240 114X7293	W05 W09	A1 + A2L	G	27	0.78	0.97	1.18	1.43	1.70	2.02	1.65	-	6	32
					32	0.70	0.88	1.09	1.33	1.60	1.90				
					38	0.62	0.79	0.99	1.22	1.48	1.77				
					43	0.56	0.72	0.91	1.13	1.38	1.67				
OP-MSSM021SC	114X7241 114X7294	W05 W09	A1 + A2L	G	27	0.91	1.14	1.40	1.69	2.01	2.36	1.77	-	6	32
					32	0.83	1.05	1.30	1.58	1.89	2.23				
					38	0.74	0.95	1.18	1.44	1.74	2.07				
					43	0.67	0.86	1.08	1.33	1.61	1.92				
OP-MSSM026CS	114X7248 114X7304	W05 W09	A1 + A2L	G	27	1.12	1.44	1.81	2.21	2.64	3.12	1.95	-	10	38
					32	1.01	1.31	1.66	2.04	2.46	2.92				
					38	0.87	1.16	1.48	1.85	2.25	2.69				
					43	0.76	1.03	1.34	1.68	2.07	2.50				
OP-MSSM030CS	114X7249 114X7305	W05 W09	A1 + A2L	G	27	1.19	1.55	1.97	2.43	2.94	3.49	1.83	-	10	38
					32	1.07	1.42	1.81	2.25	2.74	3.28				
					38	0.93	1.25	1.62	2.04	2.51	3.03				
					43	0.82	1.12	1.47	1.87	2.32	2.82				

MBP

(1) G - Compressor 230V/1Ph/50Hz, fan 230V/1Ph/50Hz

E - Compressor 400V/3Ph/50Hz, fan 230V/1Ph/50Hz

(2) Nominal conditions (EN13215), Evaporating temperatures at Mid point, Superheat 10K, Subcooling 0K

(3) Rated conditions (EN13215), Evaporating temperature (Mid) -10°C, Ambient air temperature +32°C, Return Gas Temperature 20°C, Subcooling 0K



For regular updates and detailed capacities, please refer to **Coolselector®2** software



Model	Code	Version	Refrigerant group	Electrical code (1)	Tamb [°C]	Cooling capacity Q [kW] (2)							EcoDesign (3)		Min Fuse rating gL/gG (A)	Sound pressure level @ 10m dB(A)
						Evaporating Temperature (Mid point) [°C]							COP	SEPR		
						-20°C	-15°C	-10°C	-5°C	0°C	5°C	10°C				
OP-MSTM008DY	114X7226 114X7286	W05 W09	A1 + A2L	G	27	-	0.78	0.97	1.18	1.40	1.63	-	2.26	-	6	31
					32	-	0.70	0.87	1.06	1.26	1.48	-				
					38	-	0.59	0.74	0.91	1.10	1.29	-				
					43	-	-	0.64	0.79	0.96	1.14	-				
OP-MSTM009DY	114X7229 114X7287	W05 W09	A1 + A2L	G	27	-	0.89	1.09	1.30	1.53	1.77	-	2.05	-	8	32
					32	-	0.79	0.98	1.17	1.38	1.60	-				
					38	-	0.68	0.84	1.02	1.20	1.40	-				
					43	-	-	0.73	0.89	1.06	1.24	-				
OP-MSBM009DY	114X7108 114X7133	W05 W09	A1	G	27	-	0.89	1.09	1.30	1.53	1.77	-	2.05	-		
					32	-	0.79	0.98	1.17	1.38	1.60	-				
					38	-	0.68	0.84	1.02	1.20	1.40	-				
					43	-	-	0.73	0.89	1.06	1.24	-				
OP-MSTM012DP	114X7230 114X7288	W05 W09	A1 + A2L	G	27	-	1.14	1.39	1.66	1.93	2.22	-	1.86	-	8	32
					32	-	1.01	1.24	1.48	1.74	2.01	-				
					38	-	0.86	1.06	1.28	1.51	1.75	-				
					43	-	-	0.92	1.11	1.32	1.54	-				
OP-MSBM012DP	114X7109 114X7134	W05 W09	A1	G	27	-	1.14	1.39	1.66	1.93	2.22	-	1.86	-		
					32	-	1.01	1.24	1.48	1.74	2.01	-				
					38	-	0.86	1.06	1.28	1.51	1.75	-				
					43	-	-	0.92	1.11	1.32	1.54	-				
OP-MSTM014DP	114X7231 114X7289	W05 W09	A1 + A2L	G	27	-	1.20	1.45	1.71	2.00	2.29	-	1.79	-	8	33
					32	-	1.09	1.32	1.57	1.83	2.11	-				
					38	-	0.96	1.16	1.39	1.63	1.89	-				
					43	-	-	1.03	1.24	1.47	1.71	-				
OP-MSBM014DP	114X7110 114X7135	W05 W09	A1	G	27	-	1.20	1.45	1.71	2.00	2.29	-	1.79	-		
					32	-	1.09	1.32	1.57	1.83	2.11	-				
					38	-	0.96	1.16	1.39	1.63	1.89	-				
					43	-	-	1.03	1.24	1.47	1.71	-				
OP-MSTM018DX	114X7232 114X7290	W05 W09	A1 + A2L	G	27	-	1.26	1.51	1.77	2.05	2.34	-	1.66	-	10	39
					32	-	1.15	1.38	1.62	1.88	2.16	-				
					38	-	1.02	1.22	1.44	1.68	1.94	-				
					43	-	-	1.09	1.30	1.52	1.76	-				
OP-MSTM021DX*	114X7325 114X7327	W05 W09	A1 + A2L	G	27	1.159	1.403	1.666	1.946	2.241	2.550	-	1.61	-	10	39
					32	1.057	1.280	1.522	1.781	2.057	2.347	-				
					38	0.937	1.133	1.349	1.584	1.836	2.104	-				
					43	0.839	1.012	1.207	1.421	1.653	1.902	-				
OP-MSTM022DS	114X7233 114X7299	W05 W09	A1 + A2L	G	27	-	1.84	2.24	2.69	3.18	3.73	-	1.93	-	10	39
					32	-	1.66	2.03	2.44	2.90	3.39	-				
					38	-	1.45	1.78	2.15	2.56	3.00	-				
					43	-	-	1.58	1.91	2.27	2.67	-				
OP-MSTM026DS	114X7234 114X7300	W05 W09	A1 + A2L	G	27	-	2.24	2.74	3.26	3.80	4.36	-	2.02	-	16	39
					32	-	1.98	2.43	2.91	3.41	3.93	-				
					38	-	1.67	2.06	2.49	2.94	3.41	-				
					43	-	-	1.76	2.14	2.55	2.98	-				
OP-MSTM026DS	114X7235 114X7301	W05 W09	A1 + A2L	E	27	-	2.25	2.75	3.27	3.82	4.39	-	2.07	-	6	39
					32	-	1.99	2.44	2.92	3.43	3.95	-				
					38	-	1.68	2.07	2.50	2.95	3.43	-				
					43	-	-	1.77	2.15	2.56	3.00	-				

*Preliminary data

This table continues on the next page

MBP

 (1) **G** - Compressor 230V/1Ph/50Hz, fan 230V/1Ph/50Hz

E - Compressor 400V/3Ph/50Hz, fan 230V/1Ph/50Hz

(2) Nominal conditions (EN13215), Evaporating temperatures at Mid point, Superheat 10K, Subcooling 0K

(3) Rated conditions (EN13215), Evaporating temperature (Mid) -10°C, Ambient air temperature +32°C, Return Gas Temperature 20°C, Subcooling 0K


 For regular updates and detailed capacities, please refer to **Coolselector®2** software


Model	Code	Version	Refrigerant group	Electrical code (1)	Tamb [°C]	Cooling capacity Q [kW] (2)							EcoDesign (3)		Min Fuse rating gL/gG (A)	Sound pressure level @ 10m dB(A)
						Evaporating Temperature (Mid point) [°C]							COP	SEPR		
						-20°C	-15°C	-10°C	-5°C	0°C	5°C	10°C				
OP-MSTM034DS	114X7237 114X7302	W05 W09	A1 + A2L	G	27	-	2.29	2.96	3.71	4.55	5.47	-	1.81	-	20	40
					32	-	2.05	2.68	3.39	4.18	5.05	-				
					38	-	1.76	2.33	2.99	3.72	4.53	-				
					43	-	-	2.04	2.65	3.33	4.09	-				
OP-MSTM034DS	114X7236 114X7303	W05 W09	A1 + A2L	E	27	-	2.33	3.01	3.78	4.63	5.57	-	1.86	-	8	40
					32	-	2.09	2.73	3.45	4.25	5.13	-				
					38	-	1.79	2.38	3.04	3.78	4.60	-				
					43	-	-	2.08	2.70	3.39	4.15	-				
OP-MSXM034ML	114X7062 114X7196	W05 W09	A1	E	27	2.63	3.24	3.93	4.72	5.60	6.58	-	2.24	-	8	40
					32	2.43	3.00	3.65	4.40	5.23	6.16	-				
					38	2.17	2.70	3.30	3.99	4.77	5.63	-				
					43	-	2.44	3.00	3.64	4.36	5.17	-				
OP-MSIM034ML	114X7266 114X7274	W05 W09	A1+A2L	E	27	2.63	3.24	3.93	4.72	5.60	6.58	-	2.24	-	8	40
					32	2.43	3.00	3.65	4.40	5.23	6.16	-				
					38	2.17	2.70	3.30	3.99	4.77	5.63	-				
					43	-	2.44	3.00	3.64	4.36	5.17	-				
OP-MSXM034ML	114X7061 114X7195	W05 W09	A1	G	27	2.62	3.23	3.94	4.73	5.61	6.59	-	2.30	-	20	40
					32	2.43	3.01	3.67	4.41	5.25	6.17	-				
					38	2.20	2.73	3.33	4.02	4.80	5.66	-				
					43	-	2.49	3.05	3.69	4.41	5.21	-				
OP-MSIM034ML	114X7267 114X7275	W05 W09	A1+A2L	G	27	2.62	3.23	3.94	4.73	5.61	6.59	-	2.30	-	20	40
					32	2.43	3.01	3.67	4.41	5.25	6.17	-				
					38	2.20	2.73	3.33	4.02	4.80	5.66	-				
					43	-	2.49	3.05	3.69	4.41	5.21	-				
OP-MSTM038DS*	114X7326 114X7328	W05 W09	A1+A2L	G	27	1.851	2.479	3.197	4.003	4.904	5.886	-	1.78	-	20	40
					32	1.630	2.218	2.890	3.647	4.495	5.421	-				
					38	1.357	1.896	2.514	3.210	3.994	4.853	-				
					43	1.127	1.624	2.195	2.841	3.571	4.374	-				
OP-MSXM044ML	114X7161 114X7211	W05 W09	A1	G	27	3.21	3.97	4.82	5.78	6.85	8.02	-	2.00	-	25	41
					32	2.98	3.69	4.50	5.40	6.41	7.53	-				
					38	2.70	3.36	4.10	4.93	5.87	6.91	-				
					43	-	3.07	3.75	4.53	5.40	6.37	-				
OP-MSIM044ML	114X7269 114X7277	W05 W09	A1+A2L	G	27	3.21	3.97	4.82	5.78	6.85	8.02	-	2.00	-	25	41
					32	2.98	3.69	4.50	5.40	6.41	7.53	-				
					38	2.70	3.36	4.10	4.93	5.87	6.91	-				
					43	-	3.07	3.75	4.53	5.40	6.37	-				
OP-MSXM044ML	114X7162 114X7212	W05 W09	A1	E	27	3.31	4.06	4.90	5.85	6.90	8.05	-	2.11	-	12	41
					32	3.07	3.77	4.56	5.44	6.42	7.50	-				
					38	2.77	3.41	4.14	4.94	5.84	6.84	-				
					43	-	3.11	3.78	4.53	5.36	6.28	-				
OP-MSIM044ML	114X7268 114X7276	W05 W09	A1+A2L	E	27	3.31	4.06	4.90	5.85	6.90	8.05	-	2.11	-	12	41
					32	3.07	3.77	4.56	5.44	6.42	7.50	-				
					38	2.77	3.41	4.14	4.94	5.84	6.84	-				
					43	-	3.11	3.78	4.53	5.36	6.28	-				
OP-MSXM046ML	114X7064 114X7198	W05 W09	A1	E	27	3.50	4.29	5.19	6.20	7.31	8.53	-	2.14	-	12	41
					32	3.22	3.96	4.80	5.74	6.79	7.95	-				
					38	2.87	3.55	4.32	5.18	6.15	7.22	-				
					43	-	3.20	3.91	4.70	5.60	6.59	-				

*Preliminary data

This table continues on the next page

MBP

(1) G - Compressor 230V/1Ph/50Hz, fan 230V/1Ph/50Hz
 E - Compressor 400V/3Ph/50Hz, fan 230V/1Ph/50Hz

(2) Nominal conditions (EN13215), Evaporating temperatures at Mid point, Superheat 10K, Subcooling 0K

(3) Rated conditions (EN13215), Evaporating temperature (Mid) -10°C, Ambient air temperature +32°C, Return Gas Temperature 20°C, Subcooling 0K



For regular updates and detailed capacities, please refer to **Coolselector®2** software



Model	Code	Version	Refrigerant group	Electrical code (1)	Tamb [°C]	Cooling capacity Q [kW] (2)							EcoDesign (3)		Min Fuse rating gL/gG (A)	Sound pressure level @ 10m dB(A)
						Evaporating Temperature (Mid point) [°C]							COP	SEPR		
						-20°C	-15°C	-10°C	-5°C	0°C	5°C	10°C				
OP-MSIM046ML	114X7270 114X7278	W05 W09	A1+A2L	E	27	3.50	4.29	5.19	6.20	7.31	8.53	-	2.14	-	12	41
					32	3.22	3.96	4.80	5.74	6.79	7.95	-				
					38	2.87	3.55	4.32	5.18	6.15	7.22	-				
					43	-	3.20	3.91	4.70	5.60	6.59	-				
OP-MSXM046ML	114X7063 114X7197	W05 W09	A1	G	27	3.51	4.31	5.21	6.23	7.37	8.61	-	2.06	-	32	41
					32	3.24	3.99	4.84	5.79	6.86	8.04	-				
					38	2.91	3.60	4.38	5.25	6.24	7.33	-				
					43	-	3.27	3.98	4.79	5.70	6.72	-				
OP-MSIM046ML	114X7271 114X7279	W05 W09	A1+A2L	G	27	3.51	4.31	5.21	6.23	7.37	8.61	-	2.06	-	32	41
					32	3.24	3.99	4.84	5.79	6.86	8.04	-				
					38	2.91	3.60	4.38	5.25	6.24	7.33	-				
					43	-	3.27	3.98	4.79	5.70	6.72	-				
OP-MSXM057ML	114X7066 114X7200	W05 W09	A1	E	27	4.21	5.17	6.24	7.41	8.70	10.09	-	-	3.36	12	42
					32	3.84	4.73	5.73	6.83	8.04	9.35	-				
					38	3.37	4.19	5.10	6.11	7.22	8.42	-				
					43	-	3.73	4.57	5.49	6.50	7.61	-				
OP-MSIM057ML	114X7272 114X7280	W05 W09	A1+A2L	E	27	4.21	5.17	6.24	7.41	8.70	10.09	-	-	3.36	12	42
					32	3.84	4.73	5.73	6.83	8.04	9.35	-				
					38	3.37	4.19	5.10	6.11	7.22	8.42	-				
					43	-	3.73	4.57	5.49	6.50	7.61	-				
OP-MSXM057ML	114X7065 114X7199	W05 W09	A1	G	27	4.26	5.22	6.29	7.49	8.80	10.23	-	-	3.15	32	42
					32	3.92	4.80	5.80	6.92	8.14	9.48	-				
					38	3.49	4.29	5.19	6.20	7.31	8.54	-				
					43	-	3.84	4.65	5.57	6.59	7.72	-				
OP-MSIM057ML	114X7273 114X7281	W05 W09	A1+A2L	G	27	4.26	5.22	6.29	7.49	8.80	10.23	-	-	3.15	32	42
					32	3.92	4.80	5.80	6.92	8.14	9.48	-				
					38	3.49	4.29	5.19	6.20	7.31	8.54	-				
					43	-	3.84	4.65	5.57	6.59	7.72	-				
OP-MSXM068ML	114X7067 114X7201	W05 W09	A1	G	27	5.33	6.54	7.93	9.49	11.23	13.17	-	-	3.59	40	43
					32	4.91	6.06	7.36	8.83	10.47	12.31	-				
					38	4.40	5.46	6.65	8.01	9.53	11.24	-				
					43	-	4.95	6.05	7.31	8.73	10.33	-				
OP-MSIM068ML	114X7311 114X7317	W05 W09	A1+A2L	E	27	5.36	6.57	7.95	9.51	11.25	13.17	-	-	3.87	16	43
					32	4.94	6.08	7.37	8.84	10.48	12.31	-				
					38	4.42	5.46	6.65	8.00	9.52	11.22	-				
					43	-	4.92	6.02	7.27	8.68	10.27	-				
OP-MSXM068ML	114X7068 114X7202	W05 W09	A1	E	27	5.36	6.57	7.95	9.51	11.25	13.17	-	-	3.78	16	43
					32	4.94	6.08	7.37	8.84	10.48	12.31	-				
					38	4.42	5.46	6.65	8.00	9.52	11.22	-				
					43	-	4.92	6.02	7.27	8.68	10.27	-				
OP-MSIM068ML	114X7312 114X7318	W05 W09	A1+A2L	G	27	5.33	6.54	7.93	9.49	11.23	13.17	-	-	3.67	40	43
					32	4.91	6.06	7.36	8.83	10.47	12.31	-				
					38	4.40	5.46	6.65	8.01	9.53	11.24	-				
					43	-	4.95	6.05	7.31	8.73	10.33	-				
OP-MSXM080ML	114X7069 114X7203	W05 W09	A1	G	27	6.13	7.50	9.04	10.76	12.66	14.73	-	-	3.32	45	44
					32	5.69	6.97	8.42	10.03	11.81	13.76	-				
					38	5.14	6.32	7.64	9.11	10.75	12.55	-				
					43	-	5.75	6.97	8.33	9.83	11.50	-				

This table continues on the next page

MBP

(1) G - Compressor 230V/1Ph/50Hz, fan 230V/1Ph/50Hz

E - Compressor 400V/3Ph/50Hz, fan 230V/1Ph/50Hz

(2) Nominal conditions (EN13215), Evaporating temperatures at Mid point, Superheat 10K, Subcooling 0K

(3) Rated conditions (EN13215), Evaporating temperature (Mid) -10°C, Ambient air temperature +32°C, Return Gas Temperature 20°C, Subcooling 0K



For regular updates and detailed capacities, please refer to **Coolselector®2** software



Model	Code	Version	Refrigerant group	Electrical code (1)	Tamb [°C]	Cooling capacity Q [kW] (2)							EcoDesign (3)		Min Fuse rating gL/gG (A)	Sound pressure level @ 10m dB(A)
						Evaporating Temperature (Mid point) [°C]							COP	SEPR		
						-20°C	-15°C	-10°C	-5°C	0°C	5°C	10°C				
OP-MSIM080ML	114X7313 114X7319	W05 W09	A1+A2L	E	27	6.22	7.59	9.15	10.89	12.81	14.91	-	-	3.82	20	44
					32	5.72	7.01	8.47	10.10	11.91	13.89	-				
					38	5.11	6.29	7.62	9.12	10.79	12.63	-				
					43	-	5.67	6.90	8.28	9.83	11.54	-				
OP-MSXM080ML	114X7070 114X7204	W05 W09	A1	E	27	6.22	7.59	9.15	10.89	12.81	14.91	-	-	3.70	20	44
					32	5.72	7.01	8.47	10.10	11.91	13.89	-				
					38	5.11	6.29	7.62	9.12	10.79	12.63	-				
					43	-	5.67	6.90	8.28	9.83	11.54	-				
OP-MSIM080ML	114X7314 114X7320	W05 W09	A1+A2L	G	27	6.13	7.50	9.04	10.76	12.66	14.73	-	-	3.38	45	44
					32	5.69	6.97	8.42	10.03	11.81	13.76	-				
					38	5.14	6.32	7.64	9.11	10.75	12.55	-				
					43	-	5.75	6.97	8.33	9.83	11.50	-				
OP-MSXM099ML	114X7071 114X7205	W05 W09	A1	E	27	7.56	9.29	11.23	13.39	15.75	18.33	-	-	3.71	20	44
					32	6.96	8.58	10.39	12.39	14.61	17.03	-				
					38	6.22	7.69	9.33	11.16	13.18	15.41	-				
					43	-	6.92	8.42	10.09	11.95	14.00	-				
OP-MSIM099ML	114X7315 114X7321	W05 W09	A1+A2L	E	27	7.56	9.29	11.23	13.39	15.75	18.33	-	-	3.77	20	44
					32	6.96	8.58	10.39	12.39	14.61	17.03	-				
					38	6.22	7.69	9.33	11.16	13.18	15.41	-				
					43	-	6.92	8.42	10.09	11.95	14.00	-				
OP-MSXM108ML	114X7072 114X7206	W05 W09	A1	E	27	8.09	9.90	11.93	14.18	16.67	19.40	-	-	3.55	20	46
					32	7.43	9.11	11.01	13.12	15.45	18.02	-				
					38	6.62	8.14	9.86	11.79	13.93	16.29	-				
					43	-	7.32	8.88	10.64	12.61	14.79	-				
OP-MSIM108ML	114X7316 114X7322	W05 W09	A1+A2L	E	27	8.09	9.90	11.93	14.18	16.67	19.40	-	-	3.60	20	46
					32	7.43	9.11	11.01	13.12	15.45	18.02	-				
					38	6.62	8.14	9.86	11.79	13.93	16.29	-				
					43	-	7.32	8.88	10.64	12.61	14.79	-				

MBP
(1) G - Compressor 230V/1Ph/50Hz, fan 230V/1Ph/50Hz

E - Compressor 400V/3Ph/50Hz, fan 230V/1Ph/50Hz

(2) Nominal conditions (EN13215), Evaporating temperatures at Mid point, Superheat 10K, Subcooling 0K

(3) Rated conditions (EN13215), Evaporating temperature (Mid) -10°C, Ambient air temperature +32°C, Return Gas Temperature 20°C, Subcooling 0K

 For regular updates and detailed capacities, please refer to **Coolselector®2** software


Model	Code	Version	Refrigerant group	Electrical code (1)	Tamb [°C]	Cooling capacity Q [kW] (2)							EcoDesign (3)		Min Fuse rating gL/gG (A)	Sound pressure level @ 10m dB(A)
						Evaporating Temperature (Mid point) [°C]							COP	SEPR		
						-20°C	-15°C	-10°C	-5°C	0°C	5°C	10°C				
OP-MSTM008DY	114X7226 114X7286	W05 W09	A1+A2L	G	27	-	0.77	0.96	1.17	1.38	1.62	-	2.25	-	8	32
					32	-	0.69	0.86	1.05	1.25	1.46	-				
					38	-	0.58	0.74	0.90	1.09	1.28	-				
					43	-	-	0.63	0.78	0.95	1.13	-				
OP-MSBM009DY	114X7108 114X7133	W05 W09	A1	G	27	-	0.87	1.08	1.29	1.52	1.75	-	2.04	-	8	32
					32	-	0.78	0.97	1.16	1.37	1.59	-				
					38	-	0.67	0.83	1.01	1.19	1.39	-				
					43	-	-	0.72	0.88	1.05	1.23	-				
OP-MSTM009DY	114X7229 114X7287	W05 W09	A1 + A2L	G	27	-	0.87	1.08	1.29	1.52	1.75	-	2.04	-	8	32
					32	-	0.78	0.97	1.16	1.37	1.59	-				
					38	-	0.67	0.83	1.01	1.19	1.39	-				
					43	-	-	0.72	0.88	1.05	1.23	-				
OP-MSBM012DP	114X7109 114X7134	W05 W09	A1	G	27	-	1.12	1.37	1.64	1.92	2.21	-	1.85	-	8	32
					32	-	1.00	1.23	1.47	1.73	1.99	-				
					38	-	0.85	1.05	1.27	1.50	1.74	-				
					43	-	-	0.91	1.10	1.31	1.53	-				
OP-MSTM012DP	114X7230 114X7288	W05 W09	A1 + A2L	G	27	-	1.12	1.37	1.64	1.92	2.21	-	1.85	-	8	32
					32	-	1.00	1.23	1.47	1.73	1.99	-				
					38	-	0.85	1.05	1.27	1.50	1.74	-				
					43	-	-	0.91	1.10	1.31	1.53	-				
OP-MSBM014DP	114X7110 114X7135	W05 W09	A1	G	27	-	1.19	1.43	1.70	1.98	2.28	-	1.78	-	8	33
					32	-	1.08	1.30	1.55	1.81	2.10	-				
					38	-	0.95	1.15	1.37	1.62	1.88	-				
					43	-	-	1.02	1.23	1.45	1.70	-				
OP-MSTM014DP	114X7231 114X7289	W05 W09	A1 + A2L	G	27	-	1.19	1.43	1.70	1.98	2.28	-	1.78	-	8	33
					32	-	1.08	1.30	1.55	1.81	2.10	-				
					38	-	0.95	1.15	1.37	1.62	1.88	-				
					43	-	-	1.02	1.23	1.45	1.70	-				
OP-MSTM018DX	114X7232 114X7290	W05 W09	A1 + A2L	G	27	-	1.25	1.49	1.75	2.03	2.32	-	1.65	-	10	39
					32	-	1.14	1.36	1.61	1.87	2.14	-				
					38	-	1.01	1.21	1.43	1.67	1.93	-				
					43	-	-	1.08	1.28	1.51	1.75	-				
OP-MSTM021DX*	114X7325 114X7327	W05 W09	A1 + A2L	G	27	1.159	1.403	1.666	1.946	2.241	2.550	-	1.61	-	10	39
					32	1.057	1.280	1.522	1.781	2.057	2.347	-				
					38	0.937	1.133	1.349	1.584	1.836	2.104	-				
					43	0.839	1.012	1.207	1.421	1.653	1.902	-				
OP-MSTM022DS	114X7233 114X7299	W05 W09	A1 + A2L	G	27	-	1.81	2.21	2.66	3.15	3.70	-	1.91	-	10	41
					32	-	1.64	2.01	2.42	2.87	3.37	-				
					38	-	1.43	1.76	2.13	2.53	2.98	-				
					43	-	-	1.56	1.89	2.25	2.65	-				
OP-MSTM026DS	114X7234 114X7300	W05 W09	A1 + A2L	G	27	-	2.21	2.71	3.23	3.77	4.33	-	2.01	-	16	39
					32	-	1.95	2.40	2.88	3.38	3.90	-				
					38	-	1.64	2.04	2.46	2.91	3.39	-				
					43	-	-	1.74	2.12	2.53	2.96	-				
OP-MSTM026DS	114X7235 114X7301	W05 W09	A1 + A2L	E	27	-	2.22	2.72	3.24	3.79	4.36	-	2.06	-	6	39
					32	-	1.96	2.41	2.89	3.40	3.92	-				
					38	-	1.65	2.05	2.48	2.93	3.41	-				
					43	-	-	1.75	2.13	2.54	2.98	-				

*Preliminary data

This table continues on the next page

MBP

(1) G - Compressor 230V/1~/50Hz, fan 230V/1~/50Hz
E - Compressor 400V/3~/50Hz, fan 230V/1~/50Hz

(2) Nominal conditions (EN13215), Evaporating temperatures at Mid point, Superheat 10K, Subcooling 0K

(3) Rated conditions (EN13215), Evaporating temperature (Mid point) -10°C, Ambient air temperature +32°C, Return Gas Temperature 20°C, Subcooling 0K



For regular updates and detailed capacities, please refer to **Coolselector®2** software



Model	Code	Version	Refrigerant group	Electrical code (1)	Tamb [°C]	Cooling capacity Q [kW] (2)							EcoDesign (3)		Min Fuse rating gL/gG (A)	Sound pressure level @ 10m dB(A)
						Evaporating Temperature (Mid point) [°C]							COP	SEPR		
						-20°C	-15°C	-10°C	-5°C	0°C	5°C	10°C				
OP-MSTM034DS	114X7237 114X7302	W05 W09	A1 + A2L	G	27	-	2.25	2.91	3.67	4.50	5.43	-	1.79	-	20	40
					32	-	2.02	2.64	3.34	4.13	5.00	-				
					38	-	1.73	2.30	2.95	3.68	4.49	-				
					43	-	-	2.01	2.61	3.29	4.05	-				
OP-MSTM034DS	114X7236 114X7303	W05 W09	A1 + A2L	E	27	-	2.29	2.97	3.73	4.58	5.52	-	1.84	-	8	40
					32	-	2.05	2.69	3.40	4.20	5.09	-				
					38	-	1.76	2.34	3.00	3.74	4.56	-				
					43	-	-	2.05	2.66	3.35	4.12	-				
OP-MSXM034ML	114X7062 114X7196	W05 W09	A1	E	27	2.59	3.20	3.89	4.67	5.55	6.52	-	2.22	-	8	40
					32	2.39	2.96	3.61	4.35	5.18	6.10	-				
					38	2.14	2.66	3.26	3.95	4.72	5.58	-				
					43	-	2.41	2.96	3.60	4.32	5.12	-				
OP-MSIM034ML	114X7266 114X7274	W05 W09	A1+A2L	E	27	2.59	3.20	3.89	4.67	5.55	6.52	-	2.22	-	8	40
					32	2.39	2.96	3.61	4.35	5.18	6.10	-				
					38	2.14	2.66	3.26	3.95	4.72	5.58	-				
					43	-	2.41	2.96	3.60	4.32	5.12	-				
OP-MSXM034ML	114X7061 114X7195	W05 W09	A1	G	27	2.58	3.19	3.89	4.68	5.56	6.53	-	2.28	-	20	40
					32	2.39	2.97	3.62	4.36	5.20	6.12	-				
					38	2.17	2.69	3.29	3.98	4.75	5.61	-				
					43	-	2.46	3.01	3.65	4.36	5.17	-				
OP-MSIM034ML	114X7267 114X7275	W05 W09	A1+A2L	G	27	2.58	3.19	3.89	4.68	5.56	6.53	-	2.28	-	20	40
					32	2.39	2.97	3.62	4.36	5.20	6.12	-				
					38	2.17	2.69	3.29	3.98	4.75	5.61	-				
					43	-	2.46	3.01	3.65	4.36	5.17	-				
OP-MSTM038DS*	114X7326 114X7328	W05 W09	A1+A2L	G	27	1.851	2.479	3.197	4.003	4.904	5.886	-	1.78	-	20	39
					32	1.630	2.218	2.890	3.647	4.495	5.421	-				
					38	1.357	1.896	2.514	3.210	3.994	4.853	-				
					43	1.127	1.624	2.195	2.841	3.571	4.374	-				
OP-MSXM044ML	114X7161 114X7211	W05 W09	A1	G	27	3.17	3.92	4.77	5.72	6.78	7.95	-	1.98	-	25	41
					32	2.94	3.65	4.45	5.35	6.35	7.46	-				
					38	2.67	3.31	4.05	4.88	5.81	6.84	-				
					43	-	3.03	3.71	4.48	5.35	6.31	-				
OP-MSIM044ML	114X7269 114X7277	W05 W09	A1+A2L	G	27	3.17	3.92	4.77	5.72	6.78	7.95	-	1.98	-	25	41
					32	2.94	3.65	4.45	5.35	6.35	7.46	-				
					38	2.67	3.31	4.05	4.88	5.81	6.84	-				
					43	-	3.03	3.71	4.48	5.35	6.31	-				
OP-MSXM044ML	114X7162 114X7212	W05 W09	A1	E	27	3.26	4.01	4.85	5.79	6.83	7.98	-	2.10	-	12	41
					32	3.02	3.72	4.50	5.38	6.36	7.44	-				
					38	2.73	3.37	4.09	4.89	5.78	6.78	-				
					43	-	3.08	3.74	4.48	5.30	6.22	-				
OP-MSIM044ML	114X7268 114X7276	W05 W09	A1+A2L	E	27	3.26	4.01	4.85	5.79	6.83	7.98	-	2.10	-	12	41
					32	3.02	3.72	4.50	5.38	6.36	7.44	-				
					38	2.73	3.37	4.09	4.89	5.78	6.78	-				
					43	-	3.08	3.74	4.48	5.30	6.22	-				
OP-MSXM046ML	114X7064 114X7198	W05 W09	A1	E	27	3.45	4.23	5.13	6.13	7.24	8.46	-	2.12	-	12	41
					32	3.17	3.91	4.74	5.68	6.73	7.88	-				
					38	2.83	3.50	4.27	5.13	6.09	7.15	-				
					43	-	3.16	3.86	4.65	5.54	6.52	-				

*Preliminary data

This table continues on the next page

MBP

(1) G - Compressor 230V/1~/50Hz, fan 230V/1~/50Hz
 E - Compressor 400V/3~/50Hz, fan 230V/1~/50Hz

(2) Nominal conditions (EN13215), Evaporating temperatures at Mid point, Superheat 10K, Subcooling 0K

(3) Rated conditions (EN13215), Evaporating temperature (Mid point) -10°C, Ambient air temperature +32°C, Return Gas Temperature 20°C, Subcooling 0K



For regular updates and detailed capacities, please refer to **Coolselector®2** software



Model	Code	Version	Refrigerant group	Electrical code (1)	Tamb [°C]	Cooling capacity Q [kW] (2)							EcoDesign (3)		Min Fuse rating gL/gG (A)	Sound pressure level @ 10m dB(A)
						Evaporating Temperature (Mid point) [°C]							COP	SEPR		
						-20°C	-15°C	-10°C	-5°C	0°C	5°C	10°C				
OP-MSIM046ML	114X7270 114X7278	W05 W09	A1+A2L	E	27	3.45	4.23	5.13	6.13	7.24	8.46	-	2.12	-	12	41
					32	3.17	3.91	4.74	5.68	6.73	7.88	-				
					38	2.83	3.50	4.27	5.13	6.09	7.15	-				
					43	-	3.16	3.86	4.65	5.54	6.52	-				
OP-MSXM046ML	114X7063 114X7197	W05 W09	A1	G	27	3.46	4.25	5.15	6.17	7.30	8.54	-	2.04	-	32	41
					32	3.19	3.94	4.78	5.73	6.79	7.97	-				
					38	2.87	3.55	4.32	5.19	6.17	7.26	-				
					43	-	3.22	3.93	4.74	5.64	6.66	-				
OP-MSIM046ML	114X7271 114X7279	W05 W09	A1+A2L	G	27	3.46	4.25	5.15	6.17	7.30	8.54	-	2.04	-	32	41
					32	3.19	3.94	4.78	5.73	6.79	7.97	-				
					38	2.87	3.55	4.32	5.19	6.17	7.26	-				
					43	-	3.22	3.93	4.74	5.64	6.66	-				
OP-MSXM057ML	114X7066 114X7200	W05 W09	A1	E	27	4.15	5.10	6.16	7.33	8.62	10.00	-	-	3.33	12	42
					32	3.78	4.67	5.66	6.76	7.96	9.26	-				
					38	3.32	4.13	5.04	6.04	7.14	8.33	-				
					43	-	3.67	4.50	5.42	6.43	7.53	-				
OP-MSIM057ML	114X7272 114X7280	W05 W09	A1+A2L	E	27	4.15	5.10	6.16	7.33	8.62	10.00	-	-	3.33	12	42
					32	3.78	4.67	5.66	6.76	7.96	9.26	-				
					38	3.32	4.13	5.04	6.04	7.14	8.33	-				
					43	-	3.67	4.50	5.42	6.43	7.53	-				
OP-MSXM057ML	114X7065 114X7199	W05 W09	A1	G	27	4.20	5.15	6.22	7.41	8.72	10.14	-	-	3.12	32	42
					32	3.86	4.74	5.73	6.84	8.06	9.40	-				
					38	3.44	4.23	5.12	6.12	7.24	8.46	-				
					43	-	3.79	4.59	5.50	6.52	7.64	-				
OP-MSIM057ML	114X7273 114X7281	W05 W09	A1+A2L	G	27	4.20	5.15	6.22	7.41	8.72	10.14	-	-	3.12	32	42
					32	3.86	4.74	5.73	6.84	8.06	9.40	-				
					38	3.44	4.23	5.12	6.12	7.24	8.46	-				
					43	-	3.79	4.59	5.50	6.52	7.64	-				
OP-MSXM068ML	114X7067 114X7201	W05 W09	A1	G	27	5.25	6.46	7.83	9.39	11.12	13.05	-	-	3.56	40	43
					32	4.84	5.98	7.27	8.73	10.37	12.20	-				
					38	4.34	5.38	6.57	7.92	9.44	11.14	-				
					43	-	4.88	5.97	7.22	8.63	10.23	-				
OP-MSIM068ML	114X7312 114X7318	W05 W09	A1+A2L	G	27	5.25	6.46	7.83	9.39	11.12	13.05	-	-	3.64	40	43
					32	4.84	5.98	7.27	8.73	10.37	12.20	-				
					38	4.34	5.38	6.57	7.92	9.44	11.14	-				
					43	-	4.88	5.97	7.22	8.63	10.23	-				
OP-MSXM068ML	114X7068 114X7202	W05 W09	A1	E	27	5.29	6.49	7.86	9.41	11.14	13.06	-	-	3.75	16	43
					32	4.87	6.00	7.29	8.74	10.38	12.20	-				
					38	4.35	5.38	6.57	7.91	9.42	11.11	-				
					43	-	4.85	5.94	7.18	8.59	10.17	-				
OP-MSIM068ML	114X7311 114X7317	W05 W09	A1+A2L	E	27	5.29	6.49	7.86	9.41	11.14	13.06	-	-	3.84	16	43
					32	4.87	6.00	7.29	8.74	10.38	12.20	-				
					38	4.35	5.38	6.57	7.91	9.42	11.11	-				
					43	-	4.85	5.94	7.18	8.59	10.17	-				
OP-MSXM080ML	114X7069 114X7203	W05 W09	A1	G	27	6.04	7.40	8.94	10.65	12.54	14.61	-	-	3.30	45	44
					32	5.61	6.88	8.32	9.92	11.69	13.64	-				
					38	5.07	6.23	7.55	9.01	10.64	12.43	-				
					43	-	5.68	6.88	8.23	9.73	11.40	-				

This table continues on the next page

MBP

(1) G - Compressor 230V/1~/50Hz, fan 230V/1~/50Hz
 E - Compressor 400V/3~/50Hz, fan 230V/1~/50Hz

(2) Nominal conditions (EN13215), Evaporating temperatures at Mid point, Superheat 10K, Subcooling 0K

(3) Rated conditions (EN13215), Evaporating temperature (Mid point) -10°C, Ambient air temperature +32°C, Return Gas Temperature 20°C, Subcooling 0K



For regular updates and detailed capacities, please refer to **Coolselector®2** software



Model	Code	Version	Refrigerant group	Electrical code (1)	Tamb [°C]	Cooling capacity Q [kW] (2)							EcoDesign (3)		Min Fuse rating gL/gG (A)	Sound pressure level @ 10m dB(A)
						Evaporating Temperature (Mid point) [°C]							COP	SEPR		
						-20°C	-15°C	-10°C	-5°C	0°C	5°C	10°C				
OP-MSIM080ML	114X7314 114X7320	W05 W09	A1+A2L	G	27	6.04	7.40	8.94	10.65	12.54	14.61	-	-	3.35	45	44
					32	5.61	6.88	8.32	9.92	11.69	13.64	-				
					38	5.07	6.23	7.55	9.01	10.64	12.43	-				
					43	-	5.68	6.88	8.23	9.73	11.40	-				
OP-MSXM080ML	114X7070 114X7204	W05 W09	A1	E	27	6.13	7.50	9.04	10.77	12.69	14.78	-	-	3.67	20	44
					32	5.64	6.92	8.37	9.99	11.79	13.77	-				
					38	5.04	6.20	7.53	9.02	10.68	12.51	-				
					43	-	5.59	6.81	8.18	9.73	11.43	-				
OP-MSIM080ML	114X7313 114X7319	W05 W09	A1+A2L	E	27	6.13	7.50	9.04	10.77	12.69	14.78	-	-	3.79	20	44
					32	5.64	6.92	8.37	9.99	11.79	13.77	-				
					38	5.04	6.20	7.53	9.02	10.68	12.51	-				
					43	-	5.59	6.81	8.18	9.73	11.43	-				
OP-MSXM099ML	114X7071 114X7205	W05 W09	A1	E	27	7.46	9.18	11.11	13.26	15.62	18.19	-	-	3.68	20	44
					32	6.87	8.47	10.27	12.28	14.48	16.90	-				
					38	6.13	7.59	9.23	11.05	13.07	15.28	-				
					43	-	6.83	8.33	9.99	11.85	13.89	-				
OP-MSIM099ML	114X7315 114X7321	W05 W09	A1+A2L	E	27	7.46	9.18	11.11	13.26	15.62	18.19	-	-	3.74	20	44
					32	6.87	8.47	10.27	12.28	14.48	16.90	-				
					38	6.13	7.59	9.23	11.05	13.07	15.28	-				
					43	-	6.83	8.33	9.99	11.85	13.89	-				
OP-MSXM108ML	114X7072 114X7206	W05 W09	A1	E	27	7.98	9.77	11.79	14.03	16.51	19.23	-	-	3.52	20	46
					32	7.32	8.99	10.88	12.98	15.30	17.86	-				
					38	6.52	8.03	9.75	11.66	13.79	16.14	-				
					43	-	7.21	8.77	10.53	12.49	14.65	-				
OP-MSIM108ML	114X7316 114X7322	W05 W09	A1+A2L	E	27	7.98	9.77	11.79	14.03	16.51	19.23	-	-	3.57	20	46
					32	7.32	8.99	10.88	12.98	15.30	17.86	-				
					38	6.52	8.03	9.75	11.66	13.79	16.14	-				
					43	-	7.21	8.77	10.53	12.49	14.65	-				

MBP

(1) **G** - Compressor 230V/1~/50Hz, fan 230V/1~/50Hz

E - Compressor 400V/3~/50Hz, fan 230V/1~/50Hz

(2) Nominal conditions (EN13215), Evaporating temperatures at Mid point, Superheat 10K, Subcooling 0K

(3) Rated conditions (EN13215), Evaporating temperature (Mid point) -10°C, Ambient air temperature +32°C, Return Gas Temperature 20°C, Subcooling 0K



For regular updates and detailed capacities, please refer to **Coolselector®2** software



Model	Code	Version	Refrigerant group	Electrical code (1)	Tamb [°C]	Cooling capacity Q [kW] (2)							EcoDesign (3)		Min Fuse rating gL/gG (A)	Sound pressure level @ 10m dB(A)
						Evaporating Temperature (Mid point) [°C]							COP	SEPR		
						-20°C	-15°C	-10°C	-5°C	0°C	5°C	10°C				
OP-MSTM008DY	114X7226 114X7286	W05 W09	A1 + A2L	G	27	0.58	0.74	0.92	1.10	1.30	1.51	-	2.26	-	6	31
					32	0.52	0.66	0.82	0.99	1.17	1.37	-				
					38	0.44	0.57	0.71	0.86	1.02	1.20	-				
					43	0.38	0.49	0.61	0.75	0.90	1.06	-				
OP-MSTM009DY	114X7229 114X7287	W05 W09	A1 + A2L	G	27	0.64	0.83	1.03	1.25	1.48	1.72	-	2.01	-	8	32
					32	0.57	0.74	0.92	1.12	1.33	1.56	-				
					38	0.49	0.63	0.79	0.97	1.16	1.36	-				
					43	0.43	0.55	0.69	0.84	1.02	1.20	-				
OP-MSBM009DY	114X7108 114X7133	W05 W09	A1	G	27	0.64	0.83	1.03	1.25	1.48	1.72	-	2.01	-	10	32
					32	0.57	0.74	0.92	1.12	1.33	1.56	-				
					38	0.49	0.63	0.79	0.97	1.16	1.36	-				
					43	0.43	0.55	0.69	0.84	1.02	1.20	-				
OP-MSBM012DP	114X7109 114X7134	W05 W09	A1	G	27	0.91	1.15	1.40	1.66	1.93	2.21	-	1.98	-	10	32
					32	0.81	1.02	1.25	1.49	1.74	2.00	-				
					38	0.69	0.88	1.08	1.29	1.51	1.74	-				
					43	0.60	0.76	0.93	1.12	1.32	1.53	-				
OP-MSTM012DP	114X7230 114X7288	W05 W09	A1 + A2L	G	27	0.91	1.15	1.40	1.66	1.93	2.21	-	1.98	-	8	32
					32	0.81	1.02	1.25	1.49	1.74	2.00	-				
					38	0.69	0.88	1.08	1.29	1.51	1.74	-				
					43	0.60	0.76	0.93	1.12	1.32	1.53	-				
OP-MSBM014DP	114X7110 114X7135	W05 W09	A1	G	27	-	1.17	1.43	1.70	2.00	2.32	-	1.88	-	10	33
					32	-	1.06	1.30	1.55	1.83	2.13	-				
					38	-	0.93	1.14	1.37	1.63	1.91	-				
					43	-	-	1.01	1.22	1.46	1.72	-				
OP-MSTM014DP	114X7231 114X7289	W05 W09	A1 + A2L	G	27	0.94	1.17	1.43	1.70	2.00	2.32	-	1.88	-	8	33
					32	0.85	1.06	1.30	1.55	1.83	2.13	-				
					38	0.74	0.93	1.14	1.37	1.63	1.91	-				
					43	0.65	0.82	1.01	1.22	1.46	1.72	-				
OP-MSTM018DX	114X7232 114X7290	W05 W09	A1 + A2L	G	27	1.01	1.27	1.55	1.85	2.15	2.47	-	1.71	-	10	39
					32	0.90	1.13	1.39	1.65	1.94	2.24	-				
					38	0.76	0.97	1.19	1.43	1.68	1.95	-				
					43	0.65	0.83	1.02	1.24	1.47	1.72	-				
OP-MSTM021DX*	114X7325 114X7327	W05 W09	A1 + A2L	G	27	1.16	1.46	1.78	2.10	2.44	2.80	-	1.66	-	10	39
					32	1.03	1.30	1.59	1.89	2.20	2.53	-				
					38	0.88	1.11	1.36	1.63	1.91	2.21	-				
					43	0.75	0.95	1.17	1.41	1.67	1.94	-				
OP-MSTM022DS	114X7233 114X7299	W05 W09	A1 + A2L	G	27	-	1.84	2.26	2.73	3.25	3.82	-	1.99	-	10	41
					32	-	1.66	2.04	2.47	2.95	3.48	-				
					38	-	1.44	1.78	2.17	2.60	3.07	-				
					43	-	-	1.57	1.92	2.30	2.73	-				
OP-MSTM026DS	114X7234 114X7300	W05 W09	A1 + A2L	G	27	1.72	2.17	2.65	3.14	3.65	4.17	-	1.89	-	16	39
					32	1.51	1.92	2.34	2.79	3.26	3.75	-				
					38	1.26	1.61	1.99	2.38	2.80	3.24	-				
					43	1.05	1.36	1.69	2.04	2.42	2.82	-				
OP-MSTM026DS	114X7235 114X7301	W05 W09	A1 + A2L	E	27	1.74	2.19	2.67	3.17	3.68	4.21	-	1.94	-	6	39
					32	1.52	1.93	2.37	2.82	3.29	3.78	-				
					38	1.27	1.63	2.01	2.41	2.83	3.27	-				
					43	1.06	1.37	1.71	2.07	2.45	2.85	-				

This table continues on the next page

*Preliminary data

MBP

(1) G - Compressor 230V/1~/50Hz, fan 230V/1~/50Hz

E - Compressor 400V/3~/50Hz, fan 230V/1~/50Hz

(2) Nominal conditions (EN13215), Evaporating temperatures at Mid point, Superheat 10K, Subcooling 0K

(3) Rated conditions (EN13215), Evaporating temperature (Mid point) -10°C, Ambient air temperature +32°C, Return Gas Temperature 20°C, Subcooling 0K



For regular updates and detailed capacities, please refer to **Coolselector®2** software



Model	Code	Version	Refrigerant group	Electrical code (1)	Tamb [°C]	Cooling capacity Q [kW] (2)								EcoDesign (3)		Min Fuse rating gL/gG (A)	Sound pressure level @ 10m dB(A)
						Evaporating Temperature (Mid point) [°C]								COP	SEPR		
						-20°C	-15°C	-10°C	-5°C	0°C	5°C	10°C					
OP-MSTM034DS	114X7237 114X7302	W05 W09	A1 + A2L	G	27	1.69	2.29	2.98	3.77	4.65	5.62	-	1.88	-	20	40	
					32	1.48	2.04	2.69	3.43	4.25	5.17	-					
					38	1.22	1.73	2.33	3.01	3.77	4.62	-					
					43	1.00	1.47	2.02	2.65	3.36	4.15	-					
OP-MSTM034DS	114X7236 114X7303	W05 W09	A1 + A2L	E	27	1.72	2.33	3.04	3.84	4.73	5.71	-	1.93	-	8	40	
					32	1.50	2.08	2.74	3.49	4.32	5.25	-					
					38	1.24	1.76	2.37	3.06	3.83	4.69	-					
					43	1.02	1.50	2.06	2.69	3.41	4.22	-					
OP-MSXM034ML	114X7062 114X7196	W05 W09	A1	E	27	2.57	3.15	3.81	4.55	5.37	6.29	-	2.11	-	8	40	
					32	2.37	2.90	3.51	4.20	4.97	5.82	-					
					38	2.13	2.60	3.15	3.77	4.46	5.24	-					
					43	1.92	2.35	2.84	3.40	-	-	-					
OP-MSIM034ML	114X7266 114X7274	W05 W09	A1+A2L	E	27	2.57	3.15	3.81	4.55	5.37	6.29	-	2.11	-	8	40	
					32	2.37	2.90	3.51	4.20	4.97	5.82	-					
					38	2.13	2.60	3.15	3.77	4.46	5.24	-					
					43	1.92	2.35	2.84	3.40	-	-	-					
OP-MSXM034ML	114X7061 114X7195	W05 W09	A1	G	27	2.59	3.17	3.83	4.58	5.41	6.32	-	2.11	-	20	40	
					32	2.39	2.92	3.54	4.23	5.00	5.86	-					
					38	2.14	2.62	3.17	3.79	4.50	5.28	-					
					43	1.92	2.36	2.85	3.42	-	-	-					
OP-MSIM034ML	114X7267 114X7275	W05 W09	A1+A2L	G	27	2.59	3.17	3.83	4.58	5.41	6.32	-	2.11	-	20	40	
					32	2.39	2.92	3.54	4.23	5.00	5.86	-					
					38	2.14	2.62	3.17	3.79	4.50	5.28	-					
					43	1.92	2.36	2.85	3.42	-	-	-					
OP-MSTM038DS*	114X7326 114X7328	W05 W09	A1+A2L	G	27	1.83	2.47	3.21	4.06	4.99	6.02	-	1.84	-	20	39	
					32	1.60	2.20	2.89	3.68	4.56	5.53	-					
					38	1.31	1.86	2.50	3.22	4.03	4.93	-					
					43	1.08	1.58	2.16	2.84	3.59	4.43	-					
OP-MSXM044ML	114X7162 114X7212	W05 W09	A1	E	27	3.28	4.02	4.85	5.78	6.80	7.93	-	2.12	-	12	41	
					32	3.02	3.70	4.47	5.33	6.28	7.34	-					
					38	2.69	3.30	3.99	4.77	5.64	6.60	-					
					43	2.42	2.97	3.59	4.30	-	-	-					
OP-MSIM044ML	114X7268 114X7276	W05 W09	A1+A2L	E	27	3.28	4.02	4.85	5.78	6.80	7.93	-	2.12	-	12	41	
					32	3.02	3.70	4.47	5.33	6.28	7.34	-					
					38	2.69	3.30	3.99	4.77	5.64	6.60	-					
					43	2.42	2.97	3.59	4.30	-	-	-					
OP-MSXM044ML	114X7161 114X7211	W05 W09	A1	G	27	3.28	4.02	4.87	5.81	6.86	8.00	-	2.04	-	25	41	
					32	3.02	3.71	4.50	5.38	6.35	7.42	-					
					38	2.69	3.32	4.03	4.83	5.72	6.70	-					
					43	2.41	2.99	3.63	4.36	-	-	-					
OP-MSIM044ML	114X7269 114X7277	W05 W09	A1+A2L	G	27	3.28	4.02	4.87	5.81	6.86	8.00	-	2.04	-	25	41	
					32	3.02	3.71	4.50	5.38	6.35	7.42	-					
					38	2.69	3.32	4.03	4.83	5.72	6.70	-					
					43	2.41	2.99	3.63	4.36	-	-	-					
OP-MSXM046ML	114X7064 114X7198	W05 W09	A1	E	27	3.46	4.24	5.12	6.12	7.22	8.42	-	2.12	-	12	41	
					32	3.17	3.89	4.71	5.63	6.66	7.78	-					
					38	2.81	3.46	4.20	5.04	5.97	6.99	-					
					43	2.51	3.10	3.76	4.52	-	-	-					

*Preliminary data

This table continues on the next page

MBP

(1) G - Compressor 230V/1~/50Hz, fan 230V/1~/50Hz

E - Compressor 400V/3~/50Hz, fan 230V/1~/50Hz

(2) Nominal conditions (EN13215), Evaporating temperatures at Mid point, Superheat 10K, Subcooling 0K

(3) Rated conditions (EN13215), Evaporating temperature (Mid point) -10°C, Ambient air temperature +32°C, Return Gas Temperature 20°C, Subcooling 0K



For regular updates and detailed capacities, please refer to **Coolselector®2** software



Model	Code	Version	Refrigerant group	Electrical code (1)	Tamb [°C]	Cooling capacity Q [kW] (2)							EcoDesign (3)		Min Fuse rating gL/gG (A)	Sound pressure level @ 10m dB(A)
						Evaporating Temperature (Mid point) [°C]							COP	SEPR		
						-20°C	-15°C	-10°C	-5°C	0°C	5°C	10°C				
OP-MSIM046ML	114X7270 114X7278	W05 W09	A1+A2L	E	27	3.46	4.24	5.12	6.12	7.22	8.42	-	2.12	-	12	41
					32	3.17	3.89	4.71	5.63	6.66	7.78	-				
					38	2.81	3.46	4.20	5.04	5.97	6.99	-				
					43	2.51	3.10	3.76	4.52	-	-	-				
OP-MSXM046ML	114X7063 114X7197	W05 W09	A1	G	27	3.48	4.26	5.14	6.12	7.20	8.38	-	2.04	-	32	41
					32	3.21	3.93	4.73	5.64	6.64	7.74	-				
					38	2.87	3.51	4.23	5.04	5.95	6.94	-				
					43	2.58	3.15	3.80	4.53	-	-	-				
OP-MSIM046ML	114X7271 114X7279	W05 W09	A1+A2L	G	27	3.48	4.26	5.14	6.12	7.20	8.38	-	2.04	-	32	41
					32	3.21	3.93	4.73	5.64	6.64	7.74	-				
					38	2.87	3.51	4.23	5.04	5.95	6.94	-				
					43	2.58	3.15	3.80	4.53	-	-	-				
OP-MSXM057ML	114X7065 114X7199	W05 W09	A1	G	27	4.32	5.28	6.36	7.57	8.89	10.33	-	-	3.31	32	42
					32	3.97	4.86	5.85	6.96	8.19	9.53	-				
					38	3.54	4.33	5.22	6.21	7.31	8.52	-				
					43	3.18	3.88	4.67	5.56	-	-	-				
OP-MSIM057ML	114X7273 114X7281	W05 W09	A1+A2L	G	27	4.32	5.28	6.36	7.57	8.89	10.33	-	-	3.31	32	42
					32	3.97	4.86	5.85	6.96	8.19	9.53	-				
					38	3.54	4.33	5.22	6.21	7.31	8.52	-				
					43	3.18	3.88	4.67	5.56	-	-	-				
OP-MSXM057ML	114X7066 114X7200	W05 W09	A1	E	27	4.28	5.23	6.30	7.49	8.81	10.24	-	-	3.51	12	42
					32	3.91	4.78	5.77	6.87	8.09	9.43	-				
					38	3.45	4.23	5.11	6.09	7.19	8.40	-				
					43	3.05	3.75	4.53	5.42	-	-	-				
OP-MSIM057ML	114X7272 114X7280	W05 W09	A1+A2L	E	27	4.28	5.23	6.30	7.49	8.81	10.24	-	-	3.51	12	42
					32	3.91	4.78	5.77	6.87	8.09	9.43	-				
					38	3.45	4.23	5.11	6.09	7.19	8.40	-				
					43	3.05	3.75	4.53	5.42	-	-	-				
OP-MSXM068ML	114X7067 114X7201	W05 W09	A1	G	27	5.23	6.38	7.69	9.17	10.80	12.61	-	-	3.40	40	43
					32	4.82	5.88	7.09	8.45	9.97	11.65	-				
					38	4.31	5.26	6.34	7.56	8.94	10.47	-				
					43	3.88	4.73	5.70	6.80	-	-	-				
OP-MSIM068ML	114X7312 114X7318	W05 W09	A1+A2L	G	27	5.23	6.38	7.69	9.17	10.80	12.61	-	-	3.47	40	43
					32	4.82	5.88	7.09	8.45	9.97	11.65	-				
					38	4.31	5.26	6.34	7.56	8.94	10.47	-				
					43	3.88	4.73	5.70	6.80	-	-	-				
OP-MSXM068ML	114X7068 114X7202	W05 W09	A1	E	27	5.21	6.37	7.70	9.20	10.87	12.70	-	-	3.59	16	43
					32	4.80	5.87	7.09	8.48	10.03	11.74	-				
					38	4.29	5.24	6.34	7.59	9.00	10.56	-				
					43	3.86	4.71	5.70	6.83	-	-	-				
OP-MSIM068ML	114X7311 114X7317	W05 W09	A1+A2L	E	27	5.21	6.37	7.70	9.20	10.87	12.70	-	-	3.67	16	43
					32	4.80	5.87	7.09	8.48	10.03	11.74	-				
					38	4.29	5.24	6.34	7.59	9.00	10.56	-				
					43	3.86	4.71	5.70	6.83	-	-	-				
OP-MSXM080ML	114X7070 114X7204	W05 W09	A1	E	27	6.07	7.41	8.93	10.63	12.51	14.57	-	-	3.58	20	44
					32	5.54	6.79	8.20	9.78	11.53	13.46	-				
					38	4.89	6.01	7.28	8.72	10.31	12.07	-				
					43	4.33	5.34	6.49	7.80	-	-	-				

This table continues on the next page

MBP

(1) G - Compressor 230V/1~/50Hz, fan 230V/1~/50Hz
 E - Compressor 400V/3~/50Hz, fan 230V/1~/50Hz

(2) Nominal conditions (EN13215), Evaporating temperatures at Mid point, Superheat 10K, Subcooling 0K

(3) Rated conditions (EN13215), Evaporating temperature (Mid point) -10°C, Ambient air temperature +32°C, Return Gas Temperature 20°C, Subcooling 0K



For regular updates and detailed capacities, please refer to **Coolselector®2** software



Model	Code	Version	Refrigerant group	Electrical code (1)	Tamb [°C]	Cooling capacity Q [kW] (2)							EcoDesign (3)		Min Fuse rating gL/gG (A)	Sound pressure level @ 10m dB(A)
						Evaporating Temperature (Mid point) [°C]							COP	SEPR		
						-20°C	-15°C	-10°C	-5°C	0°C	5°C	10°C				
OP-MSIM080ML	114X7313 114X7319	W05 W09	A1+A2L	E	27	5.96	7.26	8.73	10.36	12.15	14.11	-	-	3.51	20	44
					32	5.43	6.63	7.99	9.51	11.18	13.00	-				
					38	4.78	5.86	7.08	8.44	9.96	11.62	-				
					43	4.22	5.19	6.29	7.52	-	-	-				
OP-MSXM080ML	114X7069 114X7203	W05 W09	A1	G	27	6.06	7.42	8.96	10.69	12.59	14.68	-	-	3.32	45	44
					32	5.55	6.81	8.23	9.84	11.61	13.57	-				
					38	4.92	6.05	7.33	8.78	10.39	12.17	-				
					43	4.39	5.40	6.55	7.86	-	-	-				
OP-MSIM080ML	114X7314 114X7320	W05 W09	A1+A2L	G	27	6.06	7.42	8.96	10.69	12.59	14.68	-	-	3.38	45	44
					32	5.55	6.81	8.23	9.84	11.61	13.57	-				
					38	4.92	6.05	7.33	8.78	10.39	12.17	-				
					43	4.39	5.40	6.55	7.86	-	-	-				
OP-MSXM099ML	114X7071 114X7205	W05 W09	A1	E	27	7.51	9.15	11.00	13.07	15.34	17.81	-	-	3.49	20	44
					32	6.88	8.39	10.09	12.00	14.10	16.39	-				
					38	6.10	7.43	8.95	10.65	12.54	14.61	-				
					43	5.43	6.61	7.96	9.48	-	-	-				
OP-MSIM099ML	114X7315 114X7321	W05 W09	A1+A2L	E	27	7.51	9.15	11.00	13.07	15.34	17.81	-	-	3.54	20	44
					32	6.88	8.39	10.09	12.00	14.10	16.39	-				
					38	6.10	7.43	8.95	10.65	12.54	14.61	-				
					43	5.43	6.61	7.96	9.48	-	-	-				
OP-MSXM108ML	114X7072 114X7206	W05 W09	A1	E	27	8.11	9.90	11.92	14.16	16.63	19.31	-	-	3.55	20	46
					32	7.38	9.02	10.88	12.96	15.25	17.75	-				
					38	6.48	7.94	9.60	11.46	13.52	15.79	-				
					43	5.71	7.01	8.49	10.16	-	-	-				
OP-MSIM108ML	114X7316 114X7322	W05 W09	A1+A2L	E	27	8.11	9.90	11.92	14.16	16.63	19.31	-	-	3.60	20	46
					32	7.38	9.02	10.88	12.96	15.25	17.75	-				
					38	6.48	7.94	9.60	11.46	13.52	15.79	-				
					43	5.71	7.01	8.49	10.16	-	-	-				

MBP

(1) G - Compressor 230V/1~/50Hz, fan 230V/1~/50Hz

E - Compressor 400V/3~/50Hz, fan 230V/1~/50Hz

(2) Nominal conditions (EN13215), Evaporating temperatures at Mid point, Superheat 10K, Subcooling 0K

(3) Rated conditions (EN13215), Evaporating temperature (Mid point) -10°C, Ambient air temperature +32°C, Return Gas Temperature 20°C, Subcooling 0K



For regular updates and detailed capacities, please refer to **Coolselector®2** software



Model	Code	Version	Refrigerant group	Electrical code (1)	Tamb [°C]	Cooling capacity Q [kW] (2)							EcoDesign (3)		Min Fuse rating gL/gG (A)	Sound pressure level @ 10m dB(A)
						Evaporating Temperature (Mid point) [°C]							COP	SEPR		
						-20°C	-15°C	-10°C	-5°C	0°C	5°C	10°C				
OP-MSTM008DY	114X7226 114X7286	W05 W09	A1 + A2L	G	27	0.59	0.75	0.93	1.12	1.32	1.54	-	2.06	-	6	31
					32	0.53	0.68	0.84	1.01	1.21	1.41	-				
					38	0.46	0.59	0.73	0.89	1.07	1.26	-				
					43	0.40	0.52	0.65	0.79	0.96	1.14	-				
OP-MSBM009DY	114X7108 114X7133	W05 W09	A1	G	27	0.66	0.83	1.01	1.22	1.43	1.67	-	2.01	-	8	32
					32	0.59	0.75	0.92	1.11	1.31	1.53	-				
					38	0.52	0.66	0.81	0.98	1.16	1.37	-				
					43	0.46	0.58	0.72	0.87	1.04	1.23	-				
OP-MSTM009DY	114X7229 114X7287	W05 W09	A1 + A2L	G	27	0.66	0.83	1.01	1.22	1.43	1.67	-	2.01	-	8	32
					32	0.59	0.75	0.92	1.11	1.31	1.53	-				
					38	0.52	0.66	0.81	0.98	1.16	1.37	-				
					43	0.46	0.58	0.72	0.87	1.04	1.23	-				
OP-MSTM012DP	114X7230 114X7288	W05 W09	A1 + A2L	G	27	0.89	1.11	1.35	1.60	1.87	2.15	-	1.83	-	8	32
					32	0.80	1.00	1.22	1.46	1.71	1.97	-				
					38	0.70	0.88	1.07	1.29	1.51	1.76	-				
					43	0.62	0.77	0.95	1.14	1.35	1.58	-				
OP-MSBM012DP	114X7109 114X7134	W05 W09	A1	G	27	0.89	1.11	1.35	1.60	1.87	2.15	-	1.83	-	8	32
					32	0.80	1.00	1.22	1.46	1.71	1.97	-				
					38	0.70	0.88	1.07	1.29	1.51	1.76	-				
					43	0.62	0.77	0.95	1.14	1.35	1.58	-				
OP-MSTM014DP	114X7231 114X7289	W05 W09	A1 + A2L	G	27	0.92	1.15	1.40	1.68	1.98	2.29	-	1.73	-	8	33
					32	0.84	1.05	1.28	1.54	1.82	2.12	-				
					38	0.74	0.93	1.14	1.37	1.63	1.91	-				
					43	0.66	0.83	1.02	1.24	1.48	1.74	-				
OP-MSBM014DP	114X7110 114X7135	W05 W09	A1	G	27	0.92	1.15	1.40	1.68	1.98	2.29	-	1.73	-	8	33
					32	0.84	1.05	1.28	1.54	1.82	2.12	-				
					38	0.74	0.93	1.14	1.37	1.63	1.91	-				
					43	0.66	0.83	1.02	1.24	1.48	1.74	-				
OP-MSTM018DX	114X7232 114X7290	W05 W09	A1 + A2L	G	27	0.96	1.21	1.47	1.76	2.07	2.40	-	1.64	-	10	39
					32	0.88	1.10	1.35	1.61	1.90	2.22	-				
					38	0.78	0.97	1.19	1.44	1.71	2.00	-				
					43	0.70	0.87	1.07	1.29	1.54	1.82	-				
OP-MSTM021DX*	114X7325 114X7327	W05 W09	A1 + A2L	G	27	1.12	1.40	1.70	2.02	2.37	2.73	-	1.64	-	10	39
					32	1.02	1.27	1.55	1.85	2.18	2.52	-				
					38	0.90	1.13	1.37	1.65	1.94	2.27	-				
					43	0.81	1.00	1.23	1.48	1.75	2.05	-				
OP-MSTM022DS	114X7233 114X7299	W05 W09	A1 + A2L	G	27	1.44	1.81	2.23	2.71	3.24	3.83	-	1.87	-	10	41
					32	1.29	1.63	2.02	2.46	2.95	3.49	-				
					38	1.10	1.41	1.76	2.16	2.60	3.09	-				
					43	0.95	1.24	1.56	1.91	2.31	2.75	-				
OP-MSTM026DS	114X7234 114X7300	W05 W09	A1 + A2L	G	27	1.73	2.18	2.67	3.18	3.74	4.32	-	1.75	-	16	39
					32	1.53	1.94	2.39	2.87	3.39	3.94	-				
					38	1.29	1.66	2.06	2.50	2.97	3.48	-				
					43	1.10	1.42	1.78	2.18	2.62	3.10	-				
OP-MSTM026DS	114X7235 114X7301	W05 W09	A1 + A2L	E	27	1.75	2.20	2.69	3.22	3.77	4.36	-	1.80	-	6	39
					32	1.54	1.96	2.41	2.90	3.42	3.97	-				
					38	1.31	1.67	2.08	2.52	3.00	3.51	-				
					43	1.11	1.44	1.80	2.21	2.65	3.13	-				

*Preliminary data

This table continues on the next page

MBP

(1) G - Compressor 230V/1~/50Hz, fan 230V/1~/50Hz

E - Compressor 400V/3~/50Hz, fan 230V/1~/50Hz

(2) Nominal conditions (EN13215), Evaporating temperatures at Mid point, Superheat 10K, Subcooling 0K

(3) Rated conditions (EN13215), Evaporating temperature (Mid point) -10°C, Ambient air temperature +32°C, Return Gas Temperature 20°C, Subcooling 0K



For regular updates and detailed capacities, please refer to **Coolselector®2** software



Model	Code	Version	Refrigerant group	Electrical code (1)	Tamb [°C]	Cooling capacity Q [kW] (2)							EcoDesign (3)		Min Fuse rating gL/gG (A)	Sound pressure level @ 10m dB(A)
						Evaporating Temperature (Mid point) [°C]							COP	SEPR		
						-20°C	-15°C	-10°C	-5°C	0°C	5°C	10°C				
OP-MSTM034DS	114X7237 114X7302	W05 W09	A1 + A2L	G	27	1.68	2.31	3.04	3.87	4.81	5.84	-	1.71	-	20	40
					32	1.47	2.06	2.74	3.52	4.40	5.38	-				
					38	1.21	1.74	2.37	3.08	3.90	4.81	-				
					43	0.98	1.48	2.05	2.71	3.47	4.32	-				
OP-MSTM034DS	114X7236 114X7303	W05 W09	A1 + A2L	E	27	1.72	2.35	3.09	3.94	4.89	5.94	-	1.76	-	8	39
					32	1.50	2.09	2.79	3.58	4.47	5.47	-				
					38	1.23	1.77	2.41	3.14	3.96	4.89	-				
					43	1.00	1.50	2.09	2.76	3.53	4.40	-				
OP-MSXM034ML	114X7062 114X7196	W05 W09	A1	E	27	2.52	3.10	3.76	4.49	5.30	6.19	-	2.13	-	8	40
					32	2.27	2.81	3.42	4.10	4.85	5.67	-				
					38	1.94	2.44	2.99	3.60	4.28	5.02	-				
OP-MSIM034ML	114X7266 114X7274	W05 W09	A1+A2L	E	27	2.52	3.10	3.76	4.49	5.30	6.19	-	2.13	-	8	40
					32	2.27	2.81	3.42	4.10	4.85	5.67	-				
					38	1.94	2.44	2.99	3.60	4.28	5.02	-				
					43	1.65	2.11	2.62	3.17	3.79	4.47	-				
OP-MSXM034ML	114X7061 114X7195	W05 W09	A1	G	27	2.61	3.17	3.81	4.52	5.32	6.20	-	2.09	-	20	40
					32	2.39	2.91	3.50	4.17	4.91	5.73	-				
					38	2.11	2.58	3.12	3.72	4.40	5.16	-				
					43	1.88	2.31	2.79	3.35	3.98	4.68	-				
OP-MSIM034ML	114X7267 114X7275	W05 W09	A1+A2L	G	27	2.61	3.17	3.81	4.52	5.32	6.20	-	2.09	-	20	40
					32	2.39	2.91	3.50	4.17	4.91	5.73	-				
					38	2.11	2.58	3.12	3.72	4.40	5.16	-				
					43	1.88	2.31	2.79	3.35	3.98	4.68	-				
OP-MSTM038DS*	114X7326 114X7328	W05 W09	A1 + A2L	G	27	1.81	2.49	3.27	4.17	5.18	6.30	-	1.67	-	20	39
					32	1.58	2.21	2.94	3.78	4.73	5.79	-				
					38	1.29	1.86	2.53	3.30	4.18	5.17	-				
					43	1.04	1.57	2.19	2.90	3.72	4.64	-				
OP-MSXM044ML	114X7162 114X7212	W05 W09	A1	E	27	3.26	3.95	4.72	5.59	6.54	7.60	-	2.08	-	12	41
					32	2.98	3.62	4.33	5.13	6.01	7.00	-				
					38	2.62	3.20	3.84	4.55	5.35	6.25	-				
					43	2.30	2.82	3.40	4.05	4.78	5.60	-				
OP-MSIM044ML	114X7268 114X7276	W05 W09	A1+A2L	E	27	3.26	3.95	4.72	5.59	6.54	7.60	-	2.08	-	12	41
					32	2.98	3.62	4.33	5.13	6.01	7.00	-				
					38	2.62	3.20	3.84	4.55	5.35	6.25	-				
					43	2.30	2.82	3.40	4.05	4.78	5.60	-				
OP-MSXM044ML	114X7161 114X7211	W05 W09	A1	G	27	3.30	4.01	4.80	5.68	6.65	7.71	-	2.05	-	25	41
					32	3.02	3.66	4.39	5.21	6.11	7.10	-				
					38	2.65	3.23	3.89	4.62	5.43	6.33	-				
					43	2.33	2.85	3.44	4.10	4.84	5.67	-				
OP-MSIM044ML	114X7269 114X7277	W05 W09	A1+A2L	G	27	3.30	4.01	4.80	5.68	6.65	7.71	-	2.05	-	25	41
					32	3.02	3.66	4.39	5.21	6.11	7.10	-				
					38	2.65	3.23	3.89	4.62	5.43	6.33	-				
					43	2.33	2.85	3.44	4.10	4.84	5.67	-				
OP-MSXM046ML	114X7064 114X7198	W05 W09	A1	E	27	3.43	4.15	4.96	5.86	6.85	7.94	-	2.04	-	12	41
					32	3.13	3.80	4.54	5.37	6.29	7.30	-				
					38	2.75	3.34	4.01	4.75	5.58	6.51	-				
					43	2.41	2.95	3.55	4.22	4.97	5.82	-				

*Preliminary data

This table continues on the next page

MBP

(1) G - Compressor 230V/1~/50Hz, fan 230V/1~/50Hz

E - Compressor 400V/3~/50Hz, fan 230V/1~/50Hz

(2) Nominal conditions (EN13215), Evaporating temperatures at Mid point, Superheat 10K, Subcooling 0K

(3) Rated conditions (EN13215), Evaporating temperature (Mid point) -10°C, Ambient air temperature +32°C, Return Gas Temperature 20°C, Subcooling 0K



For regular updates and detailed capacities, please refer to **Coolselector®2** software



Model	Code	Version	Refrigerant group	Electrical code (1)	Tamb [°C]	Cooling capacity Q [kW] (2)							EcoDesign (3)		Min Fuse rating gL/gG (A)	Sound pressure level @ 10m dB(A)
						Evaporating Temperature (Mid point) [°C]							COP	SEPR		
						-20°C	-15°C	-10°C	-5°C	0°C	5°C	10°C				
OP-MSIM046ML	114X7270 114X7278	W05 W09	A1+A2L	E	27	3.43	4.15	4.96	5.86	6.85	7.94	-	2.04	-	12	41
					32	3.13	3.80	4.54	5.37	6.29	7.30	-				
					38	2.75	3.34	4.01	4.75	5.58	6.51	-				
					43	2.41	2.95	3.55	4.22	4.97	5.82	-				
OP-MSXM046ML	114X7063 114X7197	W05 W09	A1	G	27	3.47	4.21	5.03	5.95	6.96	8.05	-	2.00	-	32	41
					32	3.17	3.84	4.60	5.45	6.38	7.40	-				
					38	2.78	3.38	4.06	4.82	5.66	6.59	-				
					43	2.44	2.98	3.59	4.28	5.04	5.89	-				
OP-MSIM046ML	114X7271 114X7279	W05 W09	A1+A2L	G	27	3.47	4.21	5.03	5.95	6.96	8.05	-	2.00	-	32	41
					32	3.17	3.84	4.60	5.45	6.38	7.40	-				
					38	2.78	3.38	4.06	4.82	5.66	6.59	-				
					43	2.44	2.98	3.59	4.28	5.04	5.89	-				
OP-MSXM057ML	114X7066 114X7200	W05 W09	A1	E	27	4.02	4.86	5.81	6.86	8.01	9.25	-	-	3.05	12	42
					32	3.66	4.43	5.30	6.26	7.32	8.47	-				
					38	3.23	3.90	4.67	5.52	6.46	7.49	-				
					43	2.85	3.45	4.12	4.87	5.72	6.67	-				
OP-MSIM057ML	114X7272 114X7280	W05 W09	A1+A2L	E	27	4.02	4.86	5.81	6.86	8.01	9.25	-	-	3.05	12	42
					32	3.66	4.43	5.30	6.26	7.32	8.47	-				
					38	3.23	3.90	4.67	5.52	6.46	7.49	-				
					43	2.85	3.45	4.12	4.87	5.72	6.67	-				
OP-MSXM057ML	114X7065 114X7199	W05 W09	A1	G	27	4.02	4.87	5.81	6.87	8.02	9.26	-	-	2.95	32	42
					32	3.67	4.44	5.31	6.27	7.33	8.48	-				
					38	3.23	3.91	4.67	5.53	6.47	7.49	-				
					43	2.85	3.45	4.12	4.88	5.71	6.63	-				
OP-MSIM057ML	114X7273 114X7281	W05 W09	A1+A2L	G	27	4.02	4.87	5.81	6.87	8.02	9.26	-	-	2.95	32	42
					32	3.67	4.44	5.31	6.27	7.33	8.48	-				
					38	3.23	3.91	4.67	5.53	6.47	7.49	-				
					43	2.85	3.45	4.12	4.88	5.71	6.63	-				
OP-MSXM068ML	114X7068 114X7202	W05 W09	A1	E	27	5.32	6.50	7.85	9.38	11.08	12.95	-	-	3.81	16	43
					32	4.88	5.98	7.24	8.67	10.27	12.04	-				
					38	4.33	5.32	6.47	7.78	9.25	10.89	-				
					43	3.85	4.76	5.80	7.00	8.36	9.89	-				
OP-MSIM068ML	114X7311 114X7317	W05 W09	A1+A2L	E	27	5.32	6.50	7.85	9.38	11.08	12.95	-	-	3.89	16	43
					32	4.88	5.98	7.24	8.67	10.27	12.04	-				
					38	4.33	5.32	6.47	7.78	9.25	10.89	-				
					43	3.85	4.76	5.80	7.00	8.36	9.89	-				
OP-MSXM068ML	114X7067 114X7201	W05 W09	A1	G	27	5.33	6.51	7.86	9.38	11.08	12.96	-	-	3.73	40	43
					32	4.88	5.99	7.25	8.68	10.28	12.05	-				
					38	4.33	5.33	6.48	7.78	9.26	10.90	-				
					43	3.85	4.76	5.81	7.00	8.36	9.89	-				
OP-MSIM068ML	114X7312 114X7318	W05 W09	A1+A2L	G	27	5.33	6.51	7.86	9.38	11.08	12.96	-	-	3.81	40	43
					32	4.88	5.99	7.25	8.68	10.28	12.05	-				
					38	4.33	5.33	6.48	7.78	9.26	10.90	-				
					43	3.85	4.76	5.81	7.00	8.36	9.89	-				
OP-MSXM080ML	114X7069 114X7203	W05 W09	A1	G	27	6.11	7.52	9.10	10.83	12.70	14.69	-	-	3.38	45	44
					32	5.55	6.85	8.32	9.95	11.71	13.60	-				
					38	4.86	6.03	7.36	8.84	10.46	12.21	-				
					43	4.29	5.34	6.54	7.89	9.39	11.02	-				

This table continues on the next page

MBP

(1) G - Compressor 230V/1~/50Hz, fan 230V/1~/50Hz

E - Compressor 400V/3~/50Hz, fan 230V/1~/50Hz

(2) Nominal conditions (EN13215), Evaporating temperatures at Mid point, Superheat 10K, Subcooling 0K

(3) Rated conditions (EN13215), Evaporating temperature (Mid point) -10°C, Ambient air temperature +32°C, Return Gas Temperature 20°C, Subcooling 0K



For regular updates and detailed capacities, please refer to **Coolselector®2** software



Model	Code	Version	Refrigerant group	Electrical code (1)	Tamb [°C]	Cooling capacity Q [kW] (2)							EcoDesign (3)		Min Fuse rating gL/gG (A)	Sound pressure level @ 10m dB(A)
						Evaporating Temperature (Mid point) [°C]							COP	SEPR		
						-20°C	-15°C	-10°C	-5°C	0°C	5°C	10°C				
OP-MSIM080ML	114X7314 114X7320	W05 W09	A1+A2L	G	27	6.11	7.52	9.10	10.83	12.70	14.69	-	-	3.43	45	44
					32	5.55	6.85	8.32	9.95	11.71	13.60	-				
					38	4.86	6.03	7.36	8.84	10.46	12.21	-				
					43	4.29	5.34	6.54	7.89	9.39	11.02	-				
OP-MSXM080ML	114X7070 114X7204	W05 W09	A1	E	27	6.28	7.62	9.14	10.85	12.76	14.84	-	-	3.73	20	44
					32	5.75	6.99	8.40	9.99	11.76	13.72	-				
					38	5.06	6.18	7.45	8.89	10.50	12.29	-				
					43	4.46	5.46	6.62	7.92	9.38	11.03	-				
OP-MSIM080ML	114X7313 114X7319	W05 W09	A1+A2L	E	27	6.28	7.62	9.14	10.85	12.76	14.84	-	-	3.85	20	44
					32	5.75	6.99	8.40	9.99	11.76	13.72	-				
					38	5.06	6.18	7.45	8.89	10.50	12.29	-				
					43	4.46	5.46	6.62	7.92	9.38	11.03	-				
OP-MSXM099ML	114X7071 114X7205	W05 W09	A1	E	27	7.34	8.88	10.62	12.54	14.65	16.95	-	-	3.41	20	44
					32	6.69	8.10	9.70	11.48	13.44	15.59	-				
					38	5.86	7.12	8.55	10.15	11.93	13.89	-				
					43	5.13	6.26	7.55	9.00	10.62	12.43	-				
OP-MSIM099ML	114X7315 114X7321	W05 W09	A1+A2L	E	27	7.34	8.88	10.62	12.54	14.65	16.95	-	-	3.46	20	44
					32	6.69	8.10	9.70	11.48	13.44	15.59	-				
					38	5.86	7.12	8.55	10.15	11.93	13.89	-				
					43	5.13	6.26	7.55	9.00	10.62	12.43	-				
OP-MSXM108ML	114X7072 114X7206	W05 W09	A1	E	27	7.91	9.55	11.37	13.38	15.59	18.02	-	-	3.35	20	46
					32	7.19	8.70	10.37	12.23	14.27	16.53	-				
					38	6.28	7.64	9.13	10.79	12.63	14.68	-				
					43	5.49	6.70	8.05	9.54	11.21	13.09	-				
OP-MSIM108ML	114X7316 114X7322	W05 W09	A1+A2L	E	27	7.91	9.55	11.37	13.38	15.59	18.02	-	-	3.40	20	46
					32	7.19	8.70	10.37	12.23	14.27	16.53	-				
					38	6.28	7.64	9.13	10.79	12.63	14.68	-				
					43	5.49	6.70	8.05	9.54	11.21	13.09	-				

MBP

(1) **G** - Compressor 230V/1~/50Hz, fan 230V/1~/50Hz

E - Compressor 400V/3~/50Hz, fan 230V/1~/50Hz

(2) Nominal conditions (EN13215), Evaporating temperatures at Mid point, Superheat 10K, Subcooling 0K

(3) Rated conditions (EN13215), Evaporating temperature (Mid point) -10°C, Ambient air temperature +32°C, Return Gas Temperature 20°C, Subcooling 0K



For regular updates and detailed capacities, please refer to **Coolselector®2** software



Model	Code	Version	Refrigerant group	Electrical code (1)	Tamb [°C]	Cooling capacity Q [kW] (2)							EcoDesign (3)		Min Fuse rating gL/gG (A)	Sound pressure level @ 10m dB(A)
						Evaporating Temperature (Mid point) [°C]							COP	SEPR		
						-20°C	-15°C	-10°C	-5°C	0°C	5°C	10°C				
OP-MSTM008DY	114X7226 114X7286	W05 W09	A1 + A2L	G	27	-	0.61	0.77	0.93	1.10	1.27	-	1.88	-	10	32
					32	-	0.54	0.68	0.83	0.98	1.15	-				
					38	-	0.45	0.57	0.71	0.85	1.00	-				
					43	-	-	0.49	0.61	0.74	0.88	-				
OP-MSTM009DY	114X7229 114X7287	W05 W09	A1 + A2L	G	27	-	0.73	0.89	1.06	1.25	1.44	-	1.89	-	10	32
					32	-	0.67	0.82	0.98	1.16	1.34	-				
					38	-	0.60	0.73	0.88	1.03	1.20	-				
					43	-	-	0.66	0.78	0.92	1.07	-				
OP-MSTM012DP	114X7230 114X7288	W05 W09	A1 + A2L	G	27	-	1.14	1.38	1.63	1.90	2.18	-	1.88	-	10	32
					32	-	1.02	1.24	1.48	1.72	1.99	-				
					38	-	0.89	1.08	1.29	1.52	1.76	-				
					43	-	-	0.95	1.14	1.35	1.57	-				
OP-MSTM014DP	114X7231 114X7289	W05 W09	A1 + A2L	G	27	-	1.20	1.45	1.72	2.00	2.30	-	1.80	-	10	33
					32	-	1.08	1.31	1.56	1.83	2.11	-				
					38	-	0.94	1.15	1.37	1.62	1.88	-				
					43	-	-	1.01	1.22	1.45	1.70	-				
OP-MSTM018DX	114X7232 114X7290	W05 W09	A1 + A2L	G	27	-	1.34	1.62	1.92	2.24	2.56	-	1.70	-	10	39
					32	-	1.21	1.46	1.74	2.03	2.34	-				
					38	-	1.04	1.28	1.53	1.80	2.08	-				
					43	-	-	1.12	1.35	1.60	1.87	-				
OP-MSTM021DX*	114X7325 114X7327	W05 W09	A1 + A2L	G	27	1.100	1.435	1.778	2.129	2.486	2.848	-	1.61	-	10	39
					32	0.985	1.291	1.607	1.932	2.264	2.603	-				
					38	0.850	1.122	1.405	1.698	2.001	2.312	-				
					43	0.740	0.983	1.239	1.506	1.783	2.071	-				
OP-MSTM022DS	114X7233 114X7299	W05 W09	A1 + A2L	G	27	-	1.81	2.21	2.65	3.14	3.67	-	1.89	-	10	41
					32	-	1.63	1.99	2.40	2.85	3.33	-				
					38	-	1.42	1.74	2.10	2.50	2.93	-				
					43	-	-	1.53	1.86	2.21	2.60	-				
OP-MSTM026DS	114X7234 114X7300	W05 W09	A1 + A2L	G	27	-	2.20	2.66	3.18	3.74	4.34	-	1.90	-	10	39
					32	-	1.98	2.41	2.88	3.39	3.93	-				
					38	-	1.73	2.10	2.52	2.97	3.46	-				
					43	-	-	1.85	2.22	2.63	3.06	-				
OP-MSTM026DS	114X7235 114X7301	W05 W09	A1 + A2L	E	27	-	2.22	2.69	3.21	3.77	4.38	-	1.95	-	10	39
					32	-	2.00	2.43	2.90	3.42	3.97	-				
					38	-	1.74	2.12	2.54	3.00	3.49	-				
					43	-	-	1.87	2.25	2.66	3.09	-				
OP-MSTM034DS	114X7237 114X7302	W05 W09	A1 + A2L	G	27	-	2.52	3.15	3.80	4.46	5.14	-	1.77	-	10	40
					32	-	2.27	2.84	3.43	4.04	4.67	-				
					38	-	1.97	2.47	3.00	3.54	4.12	-				
					43	-	-	2.17	2.64	3.13	3.66	-				
OP-MSTM034DS	114X7236 114X7303	W05 W09	A1 + A2L	E	27	-	2.54	3.17	3.82	4.49	5.17	-	1.82	-	10	40
					32	-	2.28	2.86	3.45	4.07	4.70	-				
					38	-	1.98	2.48	3.01	3.57	4.14	-				
					43	-	-	2.18	2.65	3.15	3.68	-				
OP-MSIM034ML	114X7267 114X7275	W05 W09	A1+A2L	G	27	2.67	3.29	4.00	4.81	5.71	6.70	-	2.46	-	25	38
					32	2.46	3.05	3.72	4.47	5.32	6.25	-				
					38	2.22	2.75	3.37	4.06	4.84	5.71	-				
					43	-	-	3.07	3.72	4.44	5.25	-				

*Preliminary data

This table continues on the next page

MBP

 (1) **G** - Compressor 230V/1Ph/50Hz, fan 230V/1Ph/50Hz

E - Compressor 400V/3Ph/50Hz, fan 230V/1Ph/50Hz

(2) Nominal conditions (EN13215), Evaporating temperatures at Mid point, Superheat 10K, Subcooling 0K

(3) Rated conditions (EN13215), Evaporating temperature (Mid Point) -10°C, Ambient air temperature +32°C, Return Gas Temperature 20°C, Subcooling 0K


 For regular updates and detailed capacities, please refer to **Coolselector®2** software


Model	Code	Version	Refrigerant group	Electrical code (1)	Tamb [°C]	Cooling capacity Q [kW] (2)							EcoDesign (3)		Min Fuse rating gL/gG (A)	Sound pressure level @ 10m dB(A)
						Evaporating Temperature (Mid point) [°C]							COP	SEPR		
						-20°C	-15°C	-10°C	-5°C	0°C	5°C	10°C				
OP-MSIM034ML	114X7266 114X7274	W05 W09	A1+A2L	E	27	2.69	3.31	4.02	4.83	5.74	6.75	-	2.54	-	10	38
					32	2.48	3.06	3.72	4.48	5.34	6.30	-				
					38	2.23	2.75	3.36	4.06	4.85	5.74	-				
					43	-	-	3.06	3.70	4.44	5.27	-				
OP-MSTM038DS*	114X7326 114X7328	W05 W09	A1+A2L	G	27	2.338	2.825	3.356	3.930	4.545	5.199	-	1.72	-	20	39
					32	2.122	2.583	3.090	3.640	4.232	4.866	-				
					38	1.867	2.296	2.772	3.293	3.859	4.467	-				
					43	1.656	2.060	2.510	3.006	3.548	4.136	-				
OP-MSIM044ML	114X7269 114X7277	W05 W09	A1+A2L	G	27	3.29	4.06	4.93	5.91	6.99	8.18	-	2.23	-	32	38
					32	3.05	3.77	4.59	5.51	6.53	7.66	-				
					38	2.76	3.42	4.17	5.02	5.97	7.01	-				
					43	-	-	3.81	4.60	5.48	6.46	-				
OP-MSIM044ML	114X7268 114X7276	W05 W09	A1+A2L	E	27	3.41	4.18	5.04	6.01	7.09	8.26	-	2.39	-	32	38
					32	3.15	3.86	4.67	5.58	6.58	7.69	-				
					38	2.83	3.48	4.22	5.04	5.97	6.99	-				
					43	-	-	3.85	4.60	5.45	6.39	-				
OP-MSIM046ML	114X7271 114X7279	W05 W09	A1+A2L	G	27	3.48	4.26	5.16	6.16	7.27	8.48	-	2.22	-	32	38
					32	3.20	3.94	4.77	5.71	6.75	7.90	-				
					38	2.87	3.54	4.30	5.16	6.12	7.18	-				
					43	-	-	3.90	4.69	5.58	6.57	-				
OP-MSIM046ML	114X7270 114X7278	W05 W09	A1+A2L	E	27	3.54	4.33	5.23	6.23	7.34	8.55	-	2.37	-	16	38
					32	3.24	3.98	4.82	5.76	6.80	7.93	-				
					38	2.89	3.56	4.32	5.18	6.13	7.18	-				
					43	-	-	3.90	4.69	5.57	6.54	-				
OP-MSIM057ML	114X7272 114X7280	W05 W09	A1+A2L	E	27	4.23	5.16	6.20	7.36	8.61	9.96	-	-	3.61	16	38
					32	3.85	4.72	5.69	6.76	7.93	9.20	-				
					38	3.40	4.18	5.06	6.03	7.11	8.27	-				
					43	-	-	4.53	5.42	6.40	7.48	-				
OP-MSIM057ML	114X7273 114X7281	W05 W09	A1+A2L	G	27	4.20	5.12	6.16	7.30	8.56	9.92	-	-	3.47	32	38
					32	3.85	4.70	5.66	6.73	7.90	9.18	-				
					38	3.43	4.19	5.06	6.02	7.09	8.25	-				
					43	-	-	4.54	5.42	6.39	7.46	-				
OP-MSIM068ML	114X7311 114X7317	W05 W09	A1+A2L	E	27	5.43	6.64	8.04	9.62	11.39	13.35	-	-	4.21	16	40
					32	4.99	6.13	7.43	8.92	10.59	12.44	-				
					38	4.47	5.50	6.70	8.06	9.60	11.33	-				
					43	-	-	6.07	7.33	8.76	10.37	-				
OP-MSIM068ML	114X7312 114X7318	W05 W09	A1+A2L	G	27	5.47	6.72	8.14	9.74	11.53	13.52	-	-	4.04	40	40
					32	5.04	6.20	7.53	9.04	10.72	12.60	-				
					38	4.51	5.58	6.80	8.18	9.75	11.50	-				
					43	-	-	6.18	7.46	8.92	10.56	-				
OP-MSIM080ML	114X7313 114X7319	W05 W09	A1+A2L	E	27	6.31	7.70	9.27	11.04	12.99	15.11	-	-	4.11	20	40
					32	5.80	7.09	8.56	10.21	12.05	14.05	-				
					38	5.18	6.35	7.69	9.21	10.90	12.76	-				
					43	-	-	6.96	8.36	9.93	11.66	-				
OP-MSIM080ML	114X7314 114X7320	W05 W09	A1+A2L	G	27	6.15	7.51	9.06	10.78	12.69	14.78	-	-	3.67	40	40
					32	5.70	6.97	8.41	10.02	11.81	13.77	-				
					38	5.15	6.31	7.62	9.10	10.74	12.54	-				
					43	-	-	6.96	8.31	9.83	11.50	-				

*Preliminary data

This table continues on the next page

MBP

(1) **G** - Compressor 230V/1Ph/50Hz, fan 230V/1Ph/50Hz

E - Compressor 400V/3Ph/50Hz, fan 230V/1Ph/50Hz

(2) Nominal conditions (EN13215), Evaporating temperatures at Mid point, Superheat 10K, Subcooling 0K

(3) Rated conditions (EN13215), Evaporating temperature (Mid Point) -10°C, Ambient air temperature +32°C, Return Gas Temperature 20°C, Subcooling 0K



For regular updates and detailed capacities, please refer to **Coolselector®2** software



Model	Code	Version	Refrigerant group	Electrical code (1)	Tamb [°C]	Cooling capacity Q [kW] (2)							EcoDesign (3)		Min Fuse rating gL/gG (A)	Sound pressure level @ 10m dB(A)
						Evaporating Temperature (Mid point) [°C]							COP	SEPR		
						-20°C	-15°C	-10°C	-5°C	0°C	5°C	10°C				
OP-MSIM099ML	114X7315 114X7321	W05 W09	A1+A2L	E	27	7.49	9.15	11.01	13.06	15.30	17.71	-	-	3.81	20	40
					32	6.88	8.41	10.13	12.04	14.12	16.38	-				
					38	6.14	7.52	9.07	10.79	12.69	14.75	-				
					43	-	-	8.17	9.74	11.47	13.36	-				
OP-MSIM108ML	114X7316 114X7322	W05 W09	A1+A2L	E	27	8.11	9.85	11.79	13.93	16.26	18.76	-	-	3.70	20	40
					32	7.41	9.02	10.83	12.82	14.99	17.33	-				
					38	6.56	8.02	9.65	11.45	13.43	15.58	-				
					43	-	-	8.65	10.30	12.11	14.09	-				

MBP

(1) **G** - Compressor 230V/1Ph/50Hz, fan 230V/1Ph/50Hz

E - Compressor 400V/3Ph/50Hz, fan 230V/1Ph/50Hz

(2) Nominal conditions (EN13215), Evaporating temperatures at Mid point, Superheat 10K, Subcooling 0K

(3) Rated conditions (EN13215), Evaporating temperature (Mid Point) -10°C, Ambient air temperature +32°C, Return Gas Temperature 20°C, Subcooling 0K



For regular updates and detailed capacities, please refer to **Coolselector®2** software



Model	Code	Version	Refrigerant group	Electrical code (1)	Tamb [°C]	Cooling capacity Q [kW] (2)							EcoDesign (3)		Min Fuse rating gL/gG (A)	Sound pressure level @ 10m dB(A)
						Evaporating Temperature (Mid point) [°C]							COP	SEPR		
						-20°C	-15°C	-10°C	-5°C	0°C	5°C	10°C				
OP-MSTM008DY	114X7226 114X7286	W05 W09	A1 + A2L	G	27	-	0.57	0.72	0.87	1.04	1.21	-	1.84	-	6	31
					32	-	0.50	0.63	0.78	0.93	1.09	-				
					38	-	0.42	0.54	0.67	0.80	0.95	-				
					43	-	-	0.46	0.57	0.70	0.84	-				
OP-MSTM009DY	114X7229 114X7287	W05 W09	A1 + A2L	G	27	-	0.63	0.78	0.95	1.11	1.29	-	1.82	-	8	32
					32	-	0.56	0.70	0.85	1.00	1.17	-				
					38	-	0.47	0.59	0.73	0.87	1.02	-				
					43	-	-	0.51	0.63	0.76	0.90	-				
OP-MSTM012DP	114X7230 114X7288	W05 W09	A1 + A2L	G	27	-	1.06	1.28	1.52	1.78	2.04	-	1.81	-	8	32
					32	-	0.95	1.16	1.38	1.61	1.86	-				
					38	-	0.83	1.01	1.21	1.42	1.65	-				
					43	-	-	0.89	1.07	1.26	1.47	-				
OP-MSTM014DP	114X7231 114X7289	W05 W09	A1 + A2L	G	27	-	1.09	1.33	1.58	1.85	2.13	-	1.71	-	8	33
					32	-	0.98	1.20	1.44	1.69	1.96	-				
					38	-	0.86	1.05	1.27	1.50	1.75	-				
					43	-	-	0.93	1.13	1.34	1.57	-				
OP-MSTM018DX	114X7232 114X7290	W05 W09	A1 + A2L	G	27	-	1.20	1.48	1.77	2.08	2.41	-	1.65	-	10	39
					32	-	1.07	1.32	1.59	1.88	2.19	-				
					38	-	0.92	1.14	1.38	1.64	1.92	-				
					43	-	-	0.99	1.20	1.44	1.70	-				
OP-MSTM021DX*	114X7325 114X7327	W05 W09	A1 + A2L	G	27	0.961	1.270	1.589	1.916	2.252	2.594	-	1.62	-	10	39
					32	0.862	1.145	1.438	1.742	2.054	2.375	-				
					38	0.746	0.997	1.260	1.534	1.819	2.114	-				
					43	0.652	0.877	1.113	1.363	1.624	1.897	-				
OP-MSTM022DS	114X7233 114X7299	W05 W09	A1 + A2L	G	27	-	1.61	2.05	2.56	3.14	3.77	-	1.97	-	10	41
					32	-	1.45	1.86	2.33	2.86	3.46	-				
					38	-	1.26	1.63	2.05	2.53	3.07	-				
					43	-	-	1.44	1.82	2.26	2.76	-				
OP-MSTM026DS	114X7234 114X7300	W05 W09	A1 + A2L	G	27	-	2.03	2.49	2.98	3.50	4.04	-	2.15	-	16	39
					32	-	1.80	2.22	2.68	3.16	3.67	-				
					38	-	1.53	1.91	2.32	2.76	3.23	-				
					43	-	-	1.65	2.02	2.42	2.86	-				
OP-MSTM026DS	114X7235 114X7301	W05 W09	A1 + A2L	E	27	-	2.04	2.50	2.99	3.51	4.06	-	2.20	-	6	39
					32	-	1.81	2.23	2.69	3.18	3.69	-				
					38	-	1.54	1.92	2.33	2.77	3.25	-				
					43	-	-	1.66	2.03	2.44	2.88	-				
OP-MSTM034DS	114X7237 114X7302	W05 W09	A1 + A2L	G	27	-	2.16	2.72	3.29	3.87	4.46	-	1.67	-	20	40
					32	-	1.95	2.45	2.97	3.51	4.06	-				
					38	-	1.69	2.13	2.59	3.07	3.57	-				
					43	-	-	1.87	2.28	2.71	3.17	-				
OP-MSTM034DS	114X7236 114X7303	W05 W09	A1 + A2L	E	27	-	2.18	2.73	3.31	3.89	4.49	-	1.71	-	8	39
					32	-	1.96	2.46	2.99	3.53	4.08	-				
					38	-	1.70	2.14	2.61	3.09	3.59	-				
					43	-	-	1.88	2.30	2.73	3.19	-				
OP-MSIM034ML	114X7266 114X7274	W05 W09	A1+A2L	E	27	2.44	3.01	3.67	4.42	5.27	6.21	-	2.50	-	8	40
					32	2.25	2.78	3.40	4.11	4.91	5.80	-				
					38	2.02	2.51	3.07	3.72	4.46	5.29	-				
					43	-	-	2.80	3.40	4.09	4.86	-				
OP-MSIM034ML	114X7267 114X7275	W05 W09	A1+A2L	G	27	2.48	3.07	3.74	4.50	5.36	6.31	-	2.42	-	20	40
					32	2.29	2.84	3.47	4.19	5.00	5.89	-				
					38	2.06	2.57	3.15	3.81	4.56	5.39	-				
					43	-	-	2.87	3.49	4.18	4.96	-				

*Preliminary data

This table continues on the next page

MBP

- (1) G - Compressor 230V/1Ph/50Hz, fan 230V/1Ph/50Hz
- E - Compressor 400V/3Ph/50Hz, fan 230V/1Ph/50Hz

(2) Nominal conditions (EN13215), Evaporating temperatures at Mid point, Superheat 10K, Subcooling 0K

(3) Rated conditions (EN13215), Evaporating temperature (Mid Point) -10°C, Ambient air temperature +32°C, Return Gas Temperature 20°C, Subcooling 0K



For regular updates and detailed capacities, please refer to **Coolselector®2** software



Model	Code	Version	Refrigerant group	Electrical code (1)	Tamb [°C]	Cooling capacity Q [kW] (2)							EcoDesign (3)		Min Fuse rating gL/g(A)	Sound pressure level @ 10m dB(A)
						Evaporating Temperature (Mid point) [°C]							COP	SEPR		
						-20°C	-15°C	-10°C	-5°C	0°C	5°C	10°C				
OP-MSTM038DS*	114X7326 114X7328	W05 W09	A1+A2L	G	27	2.054	2.493	2.975	3.498	4.061	4.662	-	1.7	-	20	39
					32	1.866	2.282	2.741	3.243	3.786	4.369	-				
					38	1.644	2.031	2.463	2.938	3.457	4.018	-				
					43	1.460	1.823	2.232	2.685	3.183	3.725	-				
OP-MSIM044ML	114X7269 114X7277	W05 W09	A1+A2L	G	27	3.00	3.71	4.52	5.44	6.46	7.59	-	2.29	-	25	41
					32	2.78	3.45	4.21	5.07	6.04	7.11	-				
					38	2.52	3.13	3.83	4.63	5.52	6.52	-				
					43	-	-	3.51	4.25	5.08	6.02	-				
OP-MSIM044ML	114X7268 114X7276	W05 W09	A1+A2L	E	27	3.12	3.83	4.65	5.56	6.58	7.69	-	2.41	-	12	41
					32	2.88	3.55	4.31	5.16	6.12	7.17	-				
					38	2.60	3.20	3.89	4.68	5.55	6.52	-				
					43	-	-	3.55	4.26	5.07	5.98	-				
OP-MSIM046ML	114X7271 114X7279	W05 W09	A1+A2L	G	27	3.19	3.92	4.76	5.70	6.75	7.91	-	2.28	-	32	41
					32	2.94	3.62	4.40	5.29	6.27	7.37	-				
					38	2.64	3.26	3.97	4.78	5.69	6.71	-				
					43	-	-	3.61	4.36	5.20	6.15	-				
OP-MSIM046ML	114X7270 114X7278	W05 W09	A1+A2L	E	27	3.25	4.00	4.84	5.79	6.84	8.00	-	2.40	-	12	41
					32	2.99	3.68	4.47	5.35	6.34	7.43	-				
					38	2.67	3.29	4.01	4.82	5.73	6.74	-				
					43	-	-	3.62	4.37	5.21	6.15	-				
OP-MSIM057ML	114X7272 114X7280	W05 W09	A1+A2L	E	27	3.83	4.70	5.68	6.76	7.95	9.24	-	-	3.73	12	42
					32	3.49	4.30	5.21	6.23	7.34	8.55	-				
					38	3.08	3.82	4.65	5.57	6.59	7.71	-				
					43	-	-	4.17	5.02	5.96	6.99	-				
OP-MSIM057ML	114X7273 114X7281	W05 W09	A1+A2L	G	27	3.83	4.69	5.66	6.75	7.94	9.24	-	-	3.47	32	42
					32	3.52	4.32	5.22	6.23	7.34	8.56	-				
					38	3.15	3.86	4.67	5.59	6.60	7.71	-				
					43	-	-	4.21	5.04	5.97	6.99	-				
OP-MSIM068ML	114X7312 114X7318	W05 W09	A1+A2L	G	27	4.88	6.02	7.31	8.79	10.45	12.29	-	-	3.83	40	43
					32	4.50	5.56	6.78	8.16	9.73	11.47	-				
					38	4.03	5.00	6.12	7.40	8.84	10.47	-				
					43	-	-	5.57	6.75	8.10	9.62	-				
OP-MSIM068ML	114X7311 114X7317	W05 W09	A1+A2L	E	27	4.96	6.09	7.40	8.89	10.56	12.42	-	-	4.27	16	43
					32	4.57	5.63	6.85	8.25	9.82	11.58	-				
					38	4.10	5.06	6.18	7.46	8.92	10.56	-				
					43	-	-	5.61	6.79	8.15	9.69	-				
OP-MSIM080ML	114X7314 114X7320	W05 W09	A1+A2L	G	27	5.55	6.80	8.24	9.85	11.63	13.60	-	-	3.51	45	44
					32	5.14	6.32	7.66	9.17	10.85	12.70	-				
					38	4.65	5.73	6.95	8.34	9.88	11.59	-				
					43	-	-	6.35	7.63	9.05	10.64	-				
OP-MSIM080ML	114X7313 114X7319	W05 W09	A1+A2L	E	27	5.79	7.08	8.56	10.23	12.08	14.12	-	-	4.24	20	44
					32	5.32	6.53	7.91	9.48	11.22	13.14	-				
					38	4.76	5.86	7.12	8.56	10.17	11.95	-				
					43	-	-	6.45	7.77	9.27	10.93	-				
OP-MSIM099ML	114X7315 114X7321	W05 W09	A1+A2L	E	27	6.84	8.40	10.15	12.09	14.23	16.55	-	-	3.86	20	44
					32	6.30	7.74	9.36	11.17	13.16	15.33	-				
					38	5.64	6.93	8.40	10.03	11.85	13.83	-				
					43	-	-	7.59	9.08	10.73	12.56	-				
OP-MSIM108ML	114X7316 114X7322	W05 W09	A1+A2L	E	27	7.39	9.02	10.86	12.89	15.12	17.53	-	-	3.79	20	46
					32	6.77	8.29	9.99	11.88	13.96	16.23	-				
					38	6.02	7.38	8.93	10.65	12.55	14.63	-				
					43	-	-	8.03	9.60	11.35	13.27	-				

*Preliminary data

MBP

(1) **G** - Compressor 230V/1Ph/50Hz, fan 230V/1Ph/50Hz

E - Compressor 400V/3Ph/50Hz, fan 230V/1Ph/50Hz

(2) Nominal conditions (EN13215), Evaporating temperatures at Mid point, Superheat 10K, Subcooling 0K

(3) Rated conditions (EN13215), Evaporating temperature (Mid Point) -10°C, Ambient air temperature +32°C, Return Gas Temperature 20°C, Subcooling 0K



For regular updates and detailed capacities, please refer to **Coolselector®2** software



Application	Code		Model	Compressor Model	Electrical Code (1)	Refrigerant (2)	Condenser Coil			Fan		Receiver	Dimensions				Connection		Weight	
							Type	Airflow	Internal Volume	Number	Blade ø	Volume	Housing	Height	Width	Length	Suction valve	Liquid valve	Gross	Net
		(m ² /h)					(dm ³)		(mm)	(L)		mm	mm	mm	inch	inch	Kg	Kg		
LBP	114X7106	114X7129	OP-LSQM014DP	DPT14LA	G	Q	A7	2,200	0.39	1	365	1.3	B1	530	910	364	3/8"	3/8"	64	51
LBP	114X7107	114X7130	OP-LSQM016DP	DPT16LA	G	Q	A7	2,200	0.39	1	365	1.3	B1	530	910	364	3/8"	3/8"	65	51
LBP	114X7087	114X7181	OP-LSQM048NT	NTZ048-5	G	Q	D7	3,300	0.58	1	450	3.4	B2	540	1079	464	5/8"	1/2"	77	62
LBP	114X7088	114X7182	OP-LSQM048NT	NTZ048-4	E	Q	D7	3,300	0.58	1	450	3.4	B2	540	1079	464	5/8"	1/2"	77	62
LBP	114X7090	114X7184	OP-LSQM068NT	NTZ068-4	E	Q	D7	3,300	0.58	1	450	3.4	B2	540	1079	464	5/8"	1/2"	80	65
LBP	114X7089	114X7183	OP-LSQM068NT	NTZ068-5	G	Q	D7	3,300	0.58	1	450	3.4	B2	540	1079	464	5/8"	1/2"	79	64
LBP	114X7091	114X7187	OP-LSQM067LL	LLZ013T4A	E	Q	G7	5,200	1.62	1	500	6.2	B3	540	1105	464	3/4"	1/2"	97	78
LBP	114X7092	114X7188	OP-LSQM084LL	LLZ015T4A	E	Q	G7	5,200	1.62	1	500	6.2	B3	540	1105	464	3/4"	1/2"	97	78
LBP	114X7075	114X7189	OP-LSQM098LL	LLZ018T4A	E	Q	G7	5,200	1.62	1	500	6.2	B3	540	1105	464	3/4"	1/2"	97	78
MBP	114X7099	114X7207	OP-MSGM0125C	SC12G	G	G	A7	2,200	0.39	1	365	1.3	B1	530	910	364	3/8"	3/8"	66	52
MBP	114X7100	114X7208	OP-MSGM0155C	SC15G	G	G	A7	2,200	0.39	1	365	1.3	B1	530	910	364	3/8"	3/8"	66	52
MBP	114X7101	114X7131	OP-MSGM0185C	SC18G	G	G	A7	2,200	0.39	1	365	1.3	B1	530	910	364	3/8"	3/8"	67	53
MBP	114X7108	114X7133	OP-MSBM009DY	DLY90Rab	G	B	A7	2,200	0.39	1	365	1.3	B1	530	910	364	3/8"	3/8"	64	50
MBP	114X7102	114X7132	OP-MSGM0215C	SC21G	G	G	A7	2,200	0.39	1	365	1.3	B1	530	910	364	3/8"	3/8"	67	53
MBP	114X7109	114X7134	OP-MSBM012DP	DPT12RA	G	B	A7	2,200	0.39	1	365	1.3	B1	530	910	364	3/8"	3/8"	64	51
MBP	114X7110	114X7135	OP-MSBM014DP	DPT14RA	G	B	A7	2,200	0.39	1	365	1.3	B1	530	910	364	3/8"	3/8"	65	52
MBP	114X7062	114X7196	OP-MSXM034ML	MLZ015T4A	E	X	D7	3,300	0.58	1	450	3.4	B2	690	1079	464	3/4"	1/2"	85	70
MBP	114X7061	114X7195	OP-MSXM034ML	MLZ015T5A	G	X	D7	3,300	0.58	1	450	3.4	B2	690	1079	464	3/4"	1/2"	85	70
MBP	114X7162	114X7212	OP-MSXM044ML	MLZ019T4A	E	X	D7	3,300	0.58	1	450	3.4	B2	690	1079	464	3/4"	1/2"	85	70
MBP	114X7161	114X7211	OP-MSXM044ML	MLZ019T5A	G	X	D7	3,300	0.58	1	450	3.4	B2	690	1079	464	3/4"	1/2"	85	70
MBP	114X7064	114X7198	OP-MSXM046ML	MLZ021T4A	E	X	D7	3,300	0.58	1	450	3.4	B2	690	1079	464	3/4"	1/2"	85	70
MBP	114X7063	114X7197	OP-MSXM046ML	MLZ021T5A	G	X	D7	3,300	0.58	1	450	3.4	B2	690	1079	464	3/4"	1/2"	85	70
MBP	114X7065	114X7199	OP-MSXM057ML	MLZ026T5A	G	X	D7	3,300	0.58	1	450	3.4	B2	690	1079	464	3/4"	1/2"	85	70
MBP	114X7066	114X7200	OP-MSXM057ML	MLZ026T4A	E	X	D7	3,300	0.58	1	450	3.4	B2	690	1079	464	3/4"	1/2"	85	70
MBP	114X7068	114X7202	OP-MSXM068ML	MLZ030T4A	E	X	G7	5,200	1.62	1	500	6.2	B3	825	1105	464	7/8"	1/2"	95	76
MBP	114X7067	114X7201	OP-MSXM068ML	MLZ030T5A	G	X	G7	5,200	1.62	1	500	6.2	B3	825	1105	464	7/8"	1/2"	95	76
MBP	114X7069	114X7203	OP-MSXM080ML	MLZ038T5A	G	X	G7	5,200	1.62	1	500	6.2	B3	825	1105	464	7/8"	1/2"	96	77
MBP	114X7070	114X7204	OP-MSXM080ML	MLZ038T4A	E	X	G7	5,200	1.62	1	500	6.2	B3	825	1105	464	7/8"	1/2"	96	77
MBP	114X7071	114X7205	OP-MSXM099ML	MLZ045T4A	E	X	G7	5,200	1.62	1	500	6.2	B3	825	1105	464	7/8"	1/2"	98	79
MBP	114X7072	114X7206	OP-MSXM108ML	MLZ048T4A	E	X	G7	5,200	1.62	1	500	6.2	B3	825	1105	464	7/8"	1/2"	98	79

- (1) G - Compressor 230V/1~/50Hz, fan 230V/1~/50Hz
- E - Compressor 400V/3~/50Hz, fan 230V/1~/50Hz
- (2) G - R134a & R513A
- X - R134a, R404A/R507, R407A, R407F, R449A, R448A, R513A & R452A
- B - R404A/R507, R448A, R449A, R452A
- Q - R404A/R507 & R452A

Application	Code		Model	Compressor Model	Electrical Code (1)	Refrigerant (2)	Condenser Coil			Fan		Receiver	Dimensions			Connection		Weight		
							Type	Airflow	Internal Volume	Number	Blade ø	Volume	Housing	Height	Width	Length	Suction valve	Liquid valve	Gross	Net
	(m ² /h)	(dm ³)																		
W05	W09																			
LBP	114X7263	114X7295	OP-LSVM014DP	DPT14LA	G	V	A7	2200	0.39	1	365	1.3	B1	530	910	364	3/8"	3/8"	67	52
LBP	114X7242	114X7296	OP-LSVM016DP	DPT16LA	G	V	A7	2200	0.39	1	365	1.3	B1	530	910	364	3/8"	3/8"	67	52
LBP	114X7227	114X7297	OP-LSVM026DS	DST26NA	G	V	D7	3300	0.58	1	450	3.4	B2	690	1079	464	1/2"	1/2"	68	53
LBP	114X7228	114X7298	OP-LSVM034DS	DST34LA	G	V	D7	3300	0.58	1	450	3.4	B2	690	1079	464	1/2"	1/2"	69	54
LBP	114X7244	114X7282	OP-LSVM048NT	NTZ048-5	G	V	D7	3300	0.58	1	450	3.4	B2	690	1079	464	5/8"	1/2"	77	62
LBP	114X7245	114X7283	OP-LSVM048NT	NTZ048-4	E	V	D7	3300	0.58	1	450	3.4	B2	690	1079	464	5/8"	1/2"	77	62
LBP	114X7247	114X7285	OP-LSVM068NT	NTZ068-4	G	V	D7	3300	0.58	1	450	3.4	B2	690	1079	464	5/8"	1/2"	80	65
MBP	114X7226	114X7286	OP-MSTM008DY	DLY80RAB	G	T	A7	2200	0.39	1	365	1.3	B1	530	910	364	3/8"	3/8"	66	51
MBP	114X7229	114X7287	OP-MSTM009DY	DLY90RAB	G	T	A7	2200	0.39	1	365	1.3	B1	530	910	364	3/8"	3/8"	66	51
MBP	114X7230	114X7288	OP-MSTM012DP	DPT12RA	G	T	A7	2200	0.39	1	365	1.3	B1	530	910	364	3/8"	3/8"	67	52
MBP	114X7238	114X7291	OP-MSSM012SC	SC12G	G	S	A7	2200	0.39	1	365	1.3	B1	530	910	364	3/8"	3/8"	67	52
MBP	114X7231	114X7289	OP-MSTM014DP	DPT14RA	G	T	A7	2200	0.39	1	365	1.3	B1	530	910	364	3/8"	3/8"	67	52
MBP	114X7239	114X7292	OP-MSSM015SC	SC15G	G	S	A7	2200	0.39	1	365	1.3	B1	530	910	364	3/8"	3/8"	67	52
MBP	114X7232	114X7290	OP-MSTM018DX	DX18Tba	G	T	A7	3300	0.39	1	365	1.3	B1	530	910	364	3/8"	3/8"	67	52
MBP	114X7240	114X7293	OP-MSSM018SC	SC18G	G	S	A7	2200	0.39	1	365	1.3	B1	530	910	364	3/8"	3/8"	67	52
MBP	114X7241	114X7294	OP-MSSM021SC	SC21G	G	S	A7	2200	0.39	1	365	1.3	B1	530	910	364	3/8"	3/8"	68	53
MBP	114X7325	114X7327	OP-MSTM021DX	DX21Tba	G	T	D7	3,300	0.58	1	450	3.4	B2	690	1079	464	1/2"	1/2"	77	62
MBP	114X7233	114X7299	OP-MSTM022DS	DS22TB	G	T	D7	3300	0.58	1	450	3.4	B2	690	1079	464	1/2"	1/2"	68	53
MBP	114X7248	114X7304	OP-MSSM026CS	CS26TB	G	S	D7	3300	0.58	1	450	3.4	B2	690	1079	464	1/2"	1/2"	68	53
MBP	114X7234	114X7300	OP-MSTM026DS	DS26TB	G	T	D7	3300	0.58	1	450	3.4	B2	690	1079	464	1/2"	1/2"	68	53
MBP	114X7235	114X7301	OP-MSTM026DS	DS26T3	E	T	D7	3300	0.58	1	450	3.4	B2	690	1079	464	1/2"	1/2"	68	53
MBP	114X7249	114X7305	OP-MSSM030CS	CS30TB	G	S	D7	3300	0.58	1	450	3.4	B2	690	1079	464	1/2"	1/2"	69	54
MBP	114X7237	114X7302	OP-MSTM034DS	DS34TB	G	T	D7	3300	0.58	1	450	3.4	B2	690	1079	464	1/2"	1/2"	69	54
MBP	114X7236	114X7303	OP-MSTM034DS	DS34T3	E	T	D7	3300	0.58	1	450	3.4	B2	690	1079	464	1/2"	1/2"	69	54
MBP	114X7326	114X7328	OP-MSTM038DS	DST38NA	G	T	D7	3,300	0.58	1	450	3.4	B2	690	1079	464	1/2"	1/2"	76	61
MBP	114X7266	114X7274	OP-MSIM034ML	MLZ015T4B	E	I	D7	3300	0.58	1	450	3.4	B2	690	1079	464	3/4"	1/2"	85	70
MBP	114X7267	114X7275	OP-MSIM034ML	MLZ015T5B	G	I	D7	3300	0.58	1	450	3.4	B2	690	1079	464	3/4"	1/2"	85	70
MBP	114X7268	114X7276	OP-MSIM044ML	MLZ019T4B	E	I	D7	3300	0.58	1	450	3.4	B2	690	1079	464	3/4"	1/2"	85	70
MBP	114X7269	114X7277	OP-MSIM044ML	MLZ019T5B	G	I	D7	3300	0.58	1	450	3.4	B2	690	1079	464	3/4"	1/2"	85	70
MBP	114X7270	114X7278	OP-MSIM046ML	MLZ021T4B	E	I	D7	3300	0.58	1	450	3.4	B2	690	1079	464	3/4"	1/2"	85	70
MBP	114X7271	114X7279	OP-MSIM046ML	MLZ021T5B	G	I	D7	3300	0.58	1	450	3.4	B2	690	1079	464	3/4"	1/2"	85	70
MBP	114X7272	114X7280	OP-MSIM057ML	MLZ026T4B	E	I	D7	3300	0.58	1	450	3.4	B2	690	1079	464	3/4"	1/2"	85	70
MBP	114X7273	114X7281	OP-MSIM057ML	MLZ026T5B	G	I	D7	3300	0.58	1	450	3.4	B2	690	1079	464	3/4"	1/2"	85	70
MBP	114X7311	114X7317	OP-MSIM068ML	MLZ030T4B	E	I	G7	5200	1.62	1	560	6.2	B3	825	1105	464	3/8"	1/2"	98	80
MBP	114X7312	114X7318	OP-MSIM068ML	MLZ030T5B	G	I	G7	5200	1.62	1	560	6.2	B3	825	1105	464	3/8"	1/2"	98	80
MBP	114X7313	114X7319	OP-MSIM080ML	MLZ038T4B	E	I	G7	5200	1.62	1	560	6.2	B3	825	1105	464	3/8"	1/2"	98	80
MBP	114X7314	114X7320	OP-MSIM080ML	MLZ038T5B	G	I	G7	5200	1.62	1	560	6.2	B3	825	1105	464	3/8"	1/2"	98	80
MBP	114X7315	114X7321	OP-MSIM099ML	MLZ045T4B	E	I	G7	5200	1.62	1	560	6.2	B3	825	1105	464	1/2"	1/2"	100	82
MBP	114X7316	114X7322	OP-MSIM108ML	MLZ048T4B	E	I	G7	5200	1.62	1	560	6.2	B3	825	1105	464	1/2"	1/2"	100	82

(1) **G** - Compressor 230V/1~/50Hz, fan 230V/1~/50Hz
E - Compressor 400V/3~/50Hz, fan 230V/1~/50Hz
(2) **S** - R134a, R513A & R1234yf
T - R404A/R507, R455A, R454C, R448A/R449A, R452A ;
V - R454C, R455A, R452A, R404A/R507

Designation		LSQM026AJ	LSQM034AJ	LSQM048NT	LSQM048NT	LSQM068NT	LSQM068NT	LSQM067LL
Code Number	W05	114X7085	114X7086	114X7087	114X7088	114X7089	114X7090	114X7091
	W09	114X7179	114X7180	114X7181	114X7182	114X7183	114X7184	114X7187
Compressor Description		CAJ2446Z	CAJ2464Z	NTZ048-5	NTZ048-4	NTZ068-5	NTZ068-4	LLZ013T4
Oil (reference)		RL32HA/HT	RL32HA/HT	175PZ-POE	175PZ-POE	175PZ-POE	175PZ-POE	215PZ-POE46
Housing		B2	B2	B2	B2	B2	B2	B3
Spare Parts								
Compressor single pack		118U3992	118U3990	120F0228	120F0226	120F0232	120F0230	121L9535
Condenser		118U5218	118U5218	118U5218	118U5218	118U5218	118U5218	118U5219
Dual pressure switch		060-539766	060-539766	060-539766	060-539766	060-539766	060-539766	060-539766
Fan assembly		-	-	-	-	-	-	118U3829
Fan blade		118U3481	118U3481	118U3481	118U3481	118U3481	118U3481	-
Fan capacitor		118U3297	118U3297	118U3297	118U3297	118U3297	118U3297	-
Fan cowl/grill		118U3484	118U3484	118U3484	118U3484	118U3484	118U3484	118U3485
Fan motor		118U3823	118U3823	118U3823	118U3823	118U3823	118U3823	118U3829
Filter drier		023Z5041	023Z5041	023Z5041	023Z5041	023Z5041	023Z5041	023Z5044
Liquid valve		118U3761	118U3761	118U3761	118U3761	118U3761	118U3761	118U3761
Receiver		118U4012	118U4012	118U4012	118U4012	118U4012	118U4012	118U4014
Sight glass		014L0173	014L0173	014L0173	014L0173	014L0173	014L0173	014L0173
Suction valve		118U3761	118U3761	118U3764	118U3764	118U3764	118U3764	118U3762
Brass plug (3/8" NPT)		118U4037	118U4037	118U4037	118U4037	118U4037	118U4037	118U4037
Electrical Spare Parts								
Crankcase heater		120Z0057	120Z0057	120Z0459	120Z0459	120Z0459	120Z0459	120Z5040
Contactorkit		118U3893	118U3894	118U3894	118U3893	118U3896	118U3893	118U3896
Main switch kit	W05	118U3872	118U3976	118U3976	118U3872	118U3869	118U3873	118U3873
	W09	118U3851	118U3852	118U3852	118U3853	118U3854	118U3851	118U3852
Isolator switch assembly	W09	118U5117	118U5117	118U5117	118U5117	118U5117	118U5117	118U5120
Overload relay		118U3876	118U3877	118U3877	118U3978	118U3879	118U3876	118U3877
Run capacitor				8173041	-	8173041	-	-
Starting capacitor		118U5191*	118U5192*	120Z0400	-	120Z0400	-	-
Starting relay				8173022	-	8173022	-	-
Sequence phase relay		-	-	-	-	-	-	118U3882
FSC - XGE Female connection		061H3248	061H3248	061H3248	061H3248	061H3248	061H3248	061H3248
Accessories (Not Premounted)								
Acoustic hood		-	-	120Z0575	120Z0575	120Z0575	120Z0575	120Z5052
Discharge Gas thermostat		7750009	7750009	7750009	7750009	7750009	7750009	7750009
Fusible plug (1/4")		118U5170	118U5170	118U5170	118U5170	118U5170	118U5170	118U5170
Pressure Relief Valve		118U5304	118U5304	118U5304	118U5304	118U5304	118U5304	118U5304
Sheet Metal								
Top panel		118U5146	118U5146	118U5146	118U5146	118U5146	118U5146	118U5151
Fan panel		118U5147	118U5147	118U5147	118U5147	118U5147	118U5147	118U5152
Back panel		118U5148	118U5148	118U5148	118U5148	118U5148	118U5148	118U5153
Left side panel		118U5168	118U5168	118U5168	118U5168	118U5168	118U5168	118U5169
Service panel	W05	118U5149	118U5149	118U5149	118U5149	118U5149	118U5149	118U5154
	W09	118U5157	118U5157	118U5157	118U5157	118U5157	118U5157	118U5158

XGE - FSC, Fan Speed Controller

* - Spare part, Starting Kit

Designation		LSQM084LL	LSQM098LL	LSQM068FH	LSQM068FH	LSQM014DP	LSQM018P
Code Number	W05	114X7092	114X7075	114X7095	114X7096	114X7106	114X7107
	W09	114X7188	114X7189	114X7185	114X7186	114X7129	114X7130
Compressor Description		LLZ015T4	LLZ018T4	FH2511Z-XC	FH2511Z-XG	DPT14LA	DPT16LA
Oil (reference)		215PZ-POE46	215PZ-POE46	RL32HA/HT	RL32HA/HT	POE32	POE32
Housing		B3	B3	B2	B2	B1	B1
Spare Parts							
Compressor single pack		121L9537	121L9539	118U5333	118U5334	123B6013	123B6014
Condenser		118U5219	118U5219	118U5218	118U5218	118U5217	118U5217
Dual pressure switch		060-539766	060-539766	060-539766	060-539766	060-539766	060-539766
Fan assembly		118U3829	118U3829	-	-	-	-
Fan blade		-	-	118U3481	118U3481	118U3480	118U3480
Fan capacitor		-	-	118U3297	118U3297	118U3296	118U3296
Fan cowl/grill		118U3485	118U3485	118U3484	118U3484	118U3483	118U3483
Fan motor		118U3829	118U3829	118U3823	118U3823	118U3477	118U3477
Filter drier		023Z5044	023Z5044	023Z5041	023Z5041	023Z5040	023Z5040
Liquid valve		118U5253	118U3761	118U3761	118U3761	118U3414	118U3414
Receiver		118U4014	118U4014	118U4012	118U4012	118U4020	118U4020
Sight glass		014L0173	014L0173	014L0173	014L0173	014L0182	014L0182
Suction valve		118U3762	118U3762	118U5288	118U3764	118U5254	118U3414
Brass plug (3/8" NPT)		118U4037	118U4037	118U4037	118U4037	118U4037	118U4037
Electrical Spare Parts							
Crankcase heater		120Z5040	120Z5040	120Z0459	120Z0459	118U0051	118U0051
Contactor kit		118U3896	118U3896	118U3867	118U3893	118U3893	118U3893
Main switch kit	W05	118U3874	118U3874	118U3870	118U3872	118U3975	118U3975
	W09	118U3852	118U3852	118U3855	118U3851	118U3853	118U3853
Isolator switch assembly	W09	118U5120	118U5120	118U5117	118U5117	118U5117	118U5117
Overload relay		118U3878	118U3878	118U3880	118U3876	118U3978	118U3978
Run capacitor		-	-	-	-	123B9222	123B9219
Starting capacitor		-	-	118U5199*	-	123B9312	123B9316
Starting relay		-	-	-	-	123B9151	123B9151
Sequence phase relay		118U3882	118U3882	-	-	-	-
FSC - XGE Female connection		061H3248	061H3248	061H3248	061H3248	061H3248	061H3248
Accessories (Not Premounted)							
Acoustic hood		120Z5052	120Z5052	-	-	-	-
Discharge Gas thermostat		7750009	7750009	7750009	7750009	7750009	7750009
Fusible plug (1/4")		118U5170	118U5170	118U5170	118U5170	118U5170	118U5170
Pressure Relief Valve		118U5304	118U5304	118U5304	118U5304	118U5304	118U5304
Sheet Metal							
Top panel		118U5151	118U5151	118U5146	118U5146	118U5141	118U5141
Fan panel		118U5152	118U5152	118U5147	118U5147	118U5142	118U5142
Back panel		118U5153	118U5153	118U5148	118U5148	118U5143	118U5143
Left side panel		118U5169	118U5169	118U5168	118U5168	118U5167	118U5167
Service panel	W05	118U5154	118U5154	118U5149	118U5149	118U5144	118U5144
	W09	118U5158	118U5158	118U5157	118U5157	118U5156	118U5156

XGE - FSC, Fan Speed Controller

* - Spare part, Starting Kit

Designation		LSVM014DP	LSVM016DP	LSVM026DS	LSVM034DS	LSVM048NT	LSVM048NT	LSVM068NT
Code Number	W05	114X7263	114X7242	114X7227	114X7228	114X7244	114X7245	114X7247
	W09	114X7295	114X7296	114X7297	114X7298	114X7282	114X7283	114X7285
Compressor Description		DPT14LA	DPT16LA	DST26NA	DST34LA	NTZ048-5	NTZ048-4	NTZ068-4
Oil (reference)		POE32	POE32	POE 46	POE 46	175PZ-POE	175PZ-POE	175PZ-POE
Housing		B1	B1	B2	B2	B2	B2	B2
Spare Parts								
Compressor single pack		123B6013	123B6014	123B6015	123B6016	120F0228	120F0226	120F0230
Condenser		118U5217	118U5217	118U5218	118U5218	118U5218	118U5218	118U5218
Dual pressure switch		060-539766	060-539766	060-539766	060-539766	060-539766	060-539766	060-539766
Fan assembly		-	-	-	-	-	-	-
Fan blade		118U3480	118U3480	118U3481	118U3481	118U3481	118U3481	118U3481
Fan capacitor		118U3296	118U3296	118U3297	118U3297	118U3297	118U3297	118U3297
Fan cowl/grill		118U3483	118U3483	118U3484	118U3484	118U3484	118U3484	118U3484
Fan motor		118U3477	118U3477	118U3823	118U3823	118U3823	118U3823	118U3823
Filter drier		023Z5040	023Z5040	023Z5041	023Z5041	023Z5041	023Z5041	023Z5041
Liquid valve		118U5254	118U5254	118U5253	118U5253	118U5253	118U5253	118U5253
Receiver		118U5297	118U5297	118U5298	118U5298	118U5298	118U5298	118U5298
E-box Cable gland		118U5258	118U5258	118U5258	118U5258	118U5258	118U5258	118U5258
Sight glass		014L0182	014L0182	014L0173	014L0173	014L0173	014L0173	014L0173
Suction valve		118U5254	118U5254	118U5253	118U5253	118U5288	118U5288	118U5288
Brass plug (3/8" NPT)		118U4037	118U4037	118U4037	118U4037	118U4037	118U4037	118U4037
Electrical Spare Parts								
Crankcase heater		120Z0057	120Z0057	120Z0057	120Z0057	120Z0459	120Z0459	120Z0459
Contact kit		118U3893	118U3893	118U3894	118U3894	118U3896	118U3893	118U3894
Timer		118U5257	118U5257	118U5257	118U5257	118U5257	118U5257	118U5257
Main switch kit	W05	118U3975	118U3975	118U3976	118U3976	118U3976	118U5088	118U5084
	W09	118U3853	118U3853	118U3851	118U3851	118U3852	118U3853	118U3851
Overload relay	W05	118U3978	118U3978	118U3876	118U3876	118U3877	118U3978	118U3876
Isolator switch assembly	W09	118U3858	118U3858	118U3858	118U3858	118U3858	118U3858	118U3858
Run capacitor		123B9222	123B9219	123B9215	123B9226	8173041	-	-
Starting capacitor		123B9312	123B9316	123B9304	123B9304	120Z0400	-	-
Starting relay		123B9151	123B9151	123B9154	123B9154	8173022	-	-
Sequence phase relay		-	-	-	-	-	-	-
Accessories (Not Premounted)								
Acoustic hood		-	-	-	-	-	-	-
FSC Female connection		061H3248	061H3248	061H3248	061H3248	061H3248	061H3248	061H3248
Discharge Gas thermostat		7750009	7750009	7750009	7750009	7750009	7750009	7750009
Unit stand		118U5281	118U5281	118U5282	118U5282	118U5282	118U5282	118U5282
Pressure Relief Valve		118U5304	118U5304	118U5304	118U5304	118U5304	118U5304	118U5304
Sheet Metal								
Top panel		118U5141	118U5141	118U5146	118U5146	118U5146	118U5146	118U5146
Fan panel		118U5142	118U5142	118U5147	118U5147	118U5147	118U5147	118U5147
Back panel		118U5143	118U5143	118U5148	118U5148	118U5148	118U5148	118U5148
Left side panel		118U5167	118U5167	118U5168	118U5168	118U5168	118U5168	118U5168
Service panel	W05	118U5144	118U5144	118U5149	118U5149	118U5149	118U5149	118U5149
	W09	118U5156	118U5156	118U5293	118U5293	118U5293	118U5293	118U5156

XGE - FSC, Fan Speed Controller
 * - Spare part, Starting Kit

Designation		MSGM012SC	MSGM015SC	MSGM018SC	MSGM021SC	MSBM009DY	MSBM012DP	MSBM014DP	MSBM026AJ	MSBM034AJ
Code Number	W05	114X7099	114X7100	114X7101	114X7102	114X7108	114X7109	114X7110	114X7083	114X7084
	W09	114X7207	114X7208	114X7131	114X7132	114X7133	114X7134	114X7135	114X7190	114X7191
Compressor Description		SC12G	SC15G	SC18G	SC21G	DLY90RAb	DPT12RA	DPT14RA	CAJ4517Z	CAJ4519Z
Oil (reference)		POE22	POE22	POE22	POE22	POE32	POE32	POE32	RL32HA/HT	RL32HA/HT
Housing		B1	B1	B1	B1	B1	B1	B1	B2	B2
Spare Parts										
Compressor single pack		118U5367	118U5368	118U5354	118U5356	123B6004	123B6005	123B6006	118U3993	118U3994
Condenser		118U5217	118U5217	118U5217	118U5217	118U5217	118U5217	118U5217	118U5218	118U5218
Dual pressure switch		060-539766	060-539766	060-539766	060-539766	060-539766	060-539766	060-539766	060-539766	060-539766
Fan assembly		-	-	-	-	-	-	-	-	-
Fan blade		118U3480	118U3480	118U3480	118U3480	118U3480	118U3480	118U3480	118U3481	118U3481
Fan capacitor		118U3296	118U3296	118U3296	118U3296	118U3296	118U3296	118U3296	118U3297	118U3297
Fan cowl/grill		118U3483	118U3483	118U3483	118U3483	118U3483	118U3483	118U3483	118U3484	118U3484
Fan motor		118U3477	118U3477	118U3477	118U3477	118U3477	118U3477	118U3477	118U3823	118U3823
Filter drier		023Z5040	023Z5040	023Z5040	023Z5040	023Z5040	023Z5040	023Z5040	023Z5041	023Z5041
Liquid valve		118U5254	118U5254	118U5254	118U5254	118U5254	118U5254	118U5254	118U3761	118U3761
Receiver		118U4020	118U4020	118U4020	118U4020	118U4020	118U4020	118U4020	118U4012	118U4012
Sight glass		014L0182	014L0182	014L0182	014L0182	014L0182	014L0182	014L0182	014L0173	014L0173
Suction valve		118U3414	118U3414	118U3414	118U3414	118U3414	118U3414	118U3414	118U5253	118U3761
Brass plug (3/8" NPT)		118U4037	118U4037	118U4037	118U4037	118U4037	118U4037	118U4037	118U4037	118U4037
Electrical Spare Parts										
Crankcase heater		118U0051	118U0051	118U0051	118U0051	118U0051	118U0051	118U0051	118U0051	118U0051
Contact kit		118U3893	118U3893	118U3893	118U3893	118U3893	118U3893	118U3893	118U3896	118U3896
Main switch kit	W05	118U3980	118U3980	118U3980	118U3980	118U3975	118U3975	118U3975	118U3976	118U3976
	W09	118U5162	118U3853	118U3853	118U3853	118U3853	118U3853	118U3851	118U3852	118U3852
Isolator switch assembly	W09	118U5117	118U5117	118U5117	118U5117	118U5117	118U5117	118U5117	118U5117	118U5117
Overload relay		118U3979	118U3979	118U3978	118U3978	118U3978	118U3876	118U3876	118U3877	118U3878
Run capacitor		-	-	-	117-7029*	123B9222	123B9215	123B9226	118U5195*	118U5196*
Starting capacitor		117U5017	117U5017	117U5017	-	123B9315	123B9315	123B9315	-	-
Starting relay		117U6003	117U6005	117U6019	-	123B9133	123B9151	123B9139	-	-
Sequence phase relay		-	-	-	-	-	-	-	-	-
FSC - XGE Female connection		061H3248	061H3248	061H3248	061H3248	061H3248	061H3248	061H3248	061H3248	061H3248
Accessories (Not Premounted)										
Acoustic hood		-	-	-	-	-	-	-	-	-
Discharge Gas thermostat		7750009	7750009	7750009	7750009	7750009	7750009	7750009	7750009	7750009
Fusible plug (1/4")		118U5170	118U5170	118U5170	118U5170	118U5170	118U5170	118U5170	118U5170	118U5170
Pressure Relief Valve		118U5304	118U5304	118U5304	118U5304	118U5304	118U5304	118U5304	118U5304	118U5304
Sheet Metal										
Top panel		118U5141	118U5141	118U5141	118U5141	118U5141	118U5141	118U5141	118U5146	118U5146
Fan panel		118U5142	118U5142	118U5142	118U5142	118U5142	118U5142	118U5142	118U5147	118U5147
Back panel		118U5143	118U5143	118U5143	118U5143	118U5143	118U5143	118U5143	118U5148	118U5148
Left side panel		118U5167	118U5167	118U5167	118U5167	118U5167	118U5167	118U5167	118U5168	118U5168
Service panel	W05	118U5144	118U5144	118U5144	118U5144	118U5144	118U5144	118U5144	118U5149	118U5149
	W09	118U5156	118U5156	118U5156	118U5156	118U5156	118U5156	118U5156	118U5157	118U5157

XGE - FSC, Fan Speed Controller

* - Spare part, Starting Kit

Designation	MSBM026AJ	MSBM034AJ	MSBM024AJ	MSGM026AJ	MSGM033AJ	MSBM018AJ	MSXM034ML	MSXM034ML	MSXM044ML	MSXM044ML
Code Number	W05 114X7093	114X7094	114X7097	114X7103	114X7104	114X7111	114X7061	114X7062	114X7161	114X7162
	W09 114X7192	114X7193	114X7194	114X7209	114X7210	114X7136	114X7195	114X7196	114X7211	114X7212
Compressor Description	TAJ4517Z	TAJ4519Z	CAJ9513Z	CAJ4492Y	CAJ4511Y	CAJ9510Z	MLZ015T5	MLZ015T4	MLZ019T5	MLZ019T4
Oil (reference)	RL32HA/HT	RL32HA/HT	RL32HA/HT	RL32HA/HT	RL32HA/HT	RL32HA/HT	215PZ-POE46	215PZ-POE46	215PZ-POE46	215PZ-POE46
Housing	B2	B2	B2	B2	B2	B2	B2	B2	B2	B2
Spare Parts										
Compressor single pack	118U3991	118U3989	118U3995	118U3997	118U3996	118U3988	121L8631	120U8725	121U8731	120U8725
Condenser	118U5218	118U5218	118U5218	118U5218	118U5218	118U5218	118U5218	118U5218	118U5218	118U5218
Dual pressure switch	060-539766	060-539766	060-539766	060-539766	060-539766	060-539766	060-539766	060-539766	060-539766	060-539766
Fan assembly	-	-	-	-	-	-	-	-	-	-
Fan blade	118U3481	118U3481	118U3481	118U3481	118U3481	118U3481	118U3481	118U3481	118U3481	118U3481
Fan capacitor	118U3297	118U3297	118U3297	118U3297	118U3297	118U3297	118U3297	118U3297	118U3297	118U3297
Fan cowl/grill	118U3484	118U3484	118U3484	118U3484	118U3484	118U3484	118U3484	118U3484	118U3484	118U3484
Fan motor	118U3823	118U3823	118U3823	118U3823	118U3823	118U3823	118U3823	118U3823	118U3823	118U3823
Filter drier	023Z5041	023Z5041	023Z5041	023Z5041	023Z5041	023Z5041	023Z5041	023Z5041	023Z5041	023Z5041
Liquid valve	118U3761	118U3761	118U3761	118U3761	118U3761	118U3761	118U3761	118U3761	118U3761	118U3761
Receiver	118U4012	118U4012	118U4012	118U4012	118U4012	118U4012	118U4012	118U4012	118U4012	118U4012
Sight glass	014L0173	014L0173	014L0173	014L0173	014L0173	014L0173	014L0173	014L0173	014L0173	014L0173
Suction valve	118U3761	118U3761	118U3761	118U3761	118U3761	118U3761	118U3762	118U3762	118U3762	118U3762
Brass plug (3/8" NPT)	118U4037	118U4037	118U4037	118U4037	118U4037	118U4037	118U4037	118U4037	118U4037	118U4037
Electrical Spare Parts										
Crankcase heater	118U0051	118U0051	120Z0057	120Z0459	120Z0459	118U3761	120Z5040	120Z5040	120Z5040	120Z5040
Contact kit	118U3893	118U3893	118U3894	118U3894	118U3894	118U3894	118U3867	118U3893	118U3867	118U3894
Main switch kit	W05 118U3872	118U3872	118U3976	118U3872	118U3872	118U3975	118U3873	118U3872	118U3870	118U3873
	W09 118U3853	118U3853	118U3852	118U3851	118U3851	118U3851	118U3854	118U3851	118U3855	118U3851
Isolator switch assembly	W09 118U5117	118U5117	118U5117	118U5117	118U5117	118U5117	118U5117	118U5117	118U5117	118U5117
Overload relay	118U3978	118U3978	118U3877	118U3876	118U3876	118U3876	118U3879	118U3875	118U3880	118U3876
Run capacitor	-	-	118U5198*	118U5193*	118U5194*	118U5197*	8173231	-	120Z0051	-
Starting capacitor	-	-	-	-	-	-	120Z0399	-	120Z0399	-
Starting relay	-	-	-	-	-	-	120Z0394	-	120Z0394	-
Sequence phase relay	-	-	-	-	-	-	118U3882	118U3882	118U3882	118U3882
FSC - XGE Female connection	061H3248	061H3248	061H3248	061H3248	061H3248	061H3248	061H3248	061H3248	061H3248	061H3248
Accessories (Not Premounted)										
Acoustic hood	-	-	-	-	-	-	120Z5083	120Z5083	120Z5083	120Z5083
Discharge Gas thermostat	7750009	7750009	7750009	7750009	7750009	7750009	7750009	7750009	7750009	7750009
Fusible plug (1/4")	118U5170	118U5170	118U5170	118U5170	118U5170	118U5170	118U5170	118U5170	118U5170	118U5170
Pressure Relief Valve	118U5304	118U5304	118U5304	118U5304	118U5304	118U5304	118U5304	118U5304	118U5304	118U5304
Sheet Metal										
Top panel	118U5146	118U5146	118U5146	118U5146	118U5146	118U5146	118U5146	118U5146	118U5146	118U5146
Fan panel	118U5147	118U5147	118U5147	118U5147	118U5147	118U5147	118U5147	118U5147	118U5147	118U5147
Back panel	118U5148	118U5148	118U5148	118U5148	118U5148	118U5148	118U5148	118U5148	118U5148	118U5148
Left side panel	118U5168	118U5168	118U5168	118U5168	118U5168	118U5168	118U5168	118U5168	118U5168	118U5168
Service panel	W05 118U5149	118U5149	118U5149	118U5149	118U5149	118U5149	118U5149	118U5149	118U5149	118U5149
	W09 118U5157	118U5157	118U5157	118U5157	118U5157	118U5157	118U5157	118U5157	118U5157	118U5157

XGE - FSC, Fan Speed Controller

* - Spare part, Starting Kit

Designation	MSXM046ML	MSXM046ML	MSXM057ML	MSXM057ML	MSXM068ML	MSXM068ML	MSXM080ML	MSXM080ML	MSXM099ML	MSXM108ML	
Code Number	W05	114X7063	114X7064	114X7065	114X7066	114X7067	114X7068	114X7069	114X7070	114X7071	114X7072
	W09	114X7197	114X7198	114X7199	114X7200	114X7201	114X7202	114X7203	114X7204	114X7205	114X7206
Compressor Description	MLZ021T5	MLZ021T4	MLZ026T5	MLZ026T4	MLZ030T5	MLZ030T4	MLZ038T5	MLZ038T4	MLZ045T4	MLZ048T4	
Oil (reference)	215PZ-POE46	215PZ-POE46	215PZ-POE46	215PZ-POE46	215PZ-POE46	215PZ-POE46	215PZ-POE46	215PZ-POE46	215PZ-POE46	215PZ-POE46	
Housing	B2	B2	B2	B2	B3	B3	B3	B3	B3	B3	
Spare Parts											
Compressor single pack	121L8635	121L8633	121L8639	121L8637	121L8643	121L8641	121L8647	121L8645	121L8649	121L8651	
Condenser	118U5218	118U5218	118U5218	118U5218	118U5219	118U5219	118U5219	118U5219	118U5219	118U5219	
Dual pressure switch	060-539766	060-539766	060-539766	060-539766	060-539766	060-539766	060-539766	060-539766	060-539766	060-539766	
Fan assembly	-	-	-	-	118U3829	118U3829	118U3829	118U3829	118U3829	118U3829	
Fan blade	118U3481	118U3481	118U3481	118U3481	-	-	-	-	-	-	
Fan capacitor	118U3297	118U3297	118U3297	118U3297	-	-	-	-	-	-	
Fan cowl/grill	118U3484	118U3484	118U3484	118U3484	118U3485	118U3485	118U3485	118U3485	118U3485	118U3485	
Fan motor	118U3823	118U3823	118U3823	118U3823	118U3829	118U3829	118U3829	118U3829	118U3829	118U3829	
Filter drier	023Z5041	023Z5041	023Z5041	023Z5041	023Z5044	023Z5044	023Z5044	023Z5044	023Z5044	023Z5044	
Liquid valve	118U5253	118U5253	118U5253	118U5253	118U5253	118U5253	118U5253	118U5253	118U5253	118U5253	
Receiver	118U4012	118U4012	118U4012	118U4012	118U4014	118U4014	118U4014	118U4014	118U4014	118U4014	
Sight glass	014L0173	014L0173	014L0173	014L0173	014L0173	014L0173	014L0173	014L0173	014L0173	014L0173	
Suction valve	118U3762	118U3762	118U3762	118U3762	118U5290	118U3763	118U3763	118U3763	118U3763	118U3763	
Brass plug (3/8" NPT)	118U4037	118U4037	118U4037	118U4037	118U4037	118U4037	118U4037	118U4037	118U4037	118U4037	
Electrical Spare Parts											
Crankcase heater	120Z5040	120Z5040	120Z5040	120Z5040	120Z5040	120Z5040	120Z5040	120Z5040	120Z5040	120Z5040	
Contact kit	118U3867	118U3894	118U3895	118U3894	118U3895	118U3896	118U3868	118U3896	118U3896	118U3896	
Main switch kit	W05	118U3870	118U3873	118U3870	118U3873	118U3874	118U3873	118U3871	118U3874	118U3874	
	W09	118U3856	118U3851	118U3856	118U3852	118U3857	118U3852	118U3857	118U3852	118U3854	
Isolator switch assembly	W09	118U5117	118U5117	118U5117	118U5119	118U5120	118U5119	118U5120	118U5120	118U5120	
Overload relay	118U3880	118U3876	118U3880	118U3877	118U3880	118U3877	118U3881	118U3878	118U3878	118U3878	
Run capacitor	120Z0051	-	120Z0051	-	8173233	-	8173234	-	-	-	
Starting capacitor	120Z0399	-	120Z0399	-	120Z0400	-	8173001	-	-	-	
Starting relay	120Z0394	-	120Z0394	-	120Z0394	-	120Z0395	-	-	-	
Sequence phase relay	118U3882	118U3882	118U3882	118U3882	118U3882	118U3882	118U3882	118U3882	118U3882	118U3882	
FSC - XGE Female connection	061H3248	061H3248	061H3248	061H3248	061H3248	061H3248	061H3248	061H3248	061H3248	061H3248	
Accessories (Not Premounted)											
Acoustic hood	-	120Z5043	120Z5043	120Z5043	120Z5044	120Z5044	120Z5044	120Z5044	120Z5044	120Z5044	
Discharge Gas thermostat	7750009	7750009	7750009	7750009	7750009	7750009	7750009	7750009	7750009	7750009	
Fusible plug (1/4")	118U5170	118U5170	118U5170	118U5170	118U5170	118U5170	118U5170	118U5170	118U5170	118U5170	
Pressure Relief Valve	118U5304	118U5304	118U5304	118U5304	118U5304	118U5304	118U5304	118U5304	118U5304	118U5304	
Sheet Metal											
Top panel	118U5146	118U5146	118U5146	118U5146	118U5151	118U5151	118U5151	118U5151	118U5151	118U5151	
Fan panel	118U5147	118U5147	118U5147	118U5147	118U5152	118U5152	118U5152	118U5152	118U5152	118U5152	
Back panel	118U5148	118U5148	118U5148	118U5148	118U5153	118U5153	118U5153	118U5153	118U5153	118U5153	
Left side panel	118U5168	118U5168	118U5168	118U5168	118U5169	118U5169	118U5169	118U5169	118U5169	118U5169	
Service panel	W05	118U5149	118U5149	118U5149	118U5154	118U5154	118U5154	118U5154	118U5154	118U5154	
	W09	118U5157	118U5157	118U5157	118U5157	118U5158	118U5158	118U5158	118U5158	118U5158	

XGE - FSC, Fan Speed Controller
 * - Spare part, Starting Kit

Designation		MSIM034ML	MSIM034ML	MSIM044ML	MSIM044ML	MSIM046ML	MSIM046ML	MSIM057ML	MSIM057ML
Code Number	W05	114X7266	114X7267	114X7268	114X7269	114X7270	114X7271	114X7272	114X7273
	W09	114X7274	114X7275	114X7276	114X7277	114X7278	114X7279	114X7280	114X7281
Compressor Description		MLZ015T4	MLZ015T5	MLZ019T4	MLZ019T5	MLZ021T4	MLZ021T5	MLZ026T4	MLZ026T5
Oil (reference)		215PZ-POE46	215PZ-POE46	215PZ-POE46	215PZ-POE46	215PZ-POE46	215PZ-POE46	215PZ-POE46	215PZ-POE46
Housing		B2	B2	B2	B2	B2	B2	B2	B2
Spare Parts									
Compressor single pack		121L8421	121L8423	121L8425	121L8427	121L8429	121L8431	121L8433	121L8435
Condenser		118U5218	118U5218	118U5218	118U5218	118U5218	118U5218	118U5218	118U5218
Dual pressure switch		060-539766	060-539766	060-539766	060-539766	060-539766	060-539766	060-539766	060-539766
Fan assembly		-	-	-	-	-	-	-	-
Fan blade		118U3481	118U3481	118U3481	118U3481	118U3481	118U3481	118U3481	118U3481
Fan capacitor		118U3297	118U3297	118U3297	118U3297	118U3297	118U3297	118U3297	118U3297
Fan cowl/grill		118U3484	118U3484	118U3484	118U3484	118U3484	118U3484	118U3484	118U3484
Fan motor		118U3823	118U3823	118U3823	118U3823	118U3823	118U3823	118U3823	118U3823
Filter drier		023Z5041	023Z5041	023Z5041	023Z5041	023Z5041	023Z5041	023Z5041	023Z5041
Liquid valve		118U5253	118U5253	118U5253	118U5253	118U5253	118U5253	118U5253	118U5253
Receiver		118U5298	118U5298	118U5298	118U5298	118U5298	118U5298	118U5298	118U5298
E-box Cable gland		118U5258	118U5258	118U5258	118U5258	118U5258	118U5258	118U5258	118U5258
Sight glass		014L0173	014L0173	014L0173	014L0173	014L0173	014L0173	014L0173	014L0173
Suction valve		118U5289	118U5289	118U5289	118U5289	118U5289	118U5289	118U5289	118U5289
Brass plug (3/8" NPT)		118U4037	118U4037	118U4037	118U4037	118U4037	118U4037	118U4037	118U4037
Electrical Spare Parts									
Crankcase heater		120Z5040	120Z5040	120Z5040	120Z5040	120Z5040	120Z5040	120Z5040	120Z5040
Contact kit		118U3893	118U3867	118U3894	118U3867	118U3894	118U3867	118U3894	118U3895
Timer		118U5257	118U5257	118U5257	118U5257	118U5257	118U5257	118U5257	118U5257
Main switch kit	W05	118U3872	118U3873	118U3873	118U3870	118U3873	118U3870	118U3873	118U3870
	W09	118U3851	118U3854	118U3851	118U3855	118U3851	118U3855	118U3852	118U3855
Overload relay		118U3875	118U3879	118U3876	118U3879	118U3876	118U3880	118U3877	118U3880
Potentiometer		-	-	-	-	-	-	-	-
Run capacitor		-	8173231	-	120Z0051	-	120Z0051	-	120Z0051
Starting capacitor		-	120Z0399	-	120Z0399	-	120Z0399	-	120Z0399
Starting relay		-	120Z0394	-	120Z0394	-	120Z0394	-	120Z0394
Sequence phase relay		118U3882	118U3882	118U3882	118U3882	118U3882	118U3882	118U3882	118U3882
Accessories (Not Premounted)									
Acoustic hood		120Z5083	120Z5083	120Z5083	120Z5083	120Z5083	120Z5083	120Z5083	120Z5083
Discharge Gas thermostat		7750009	7750009	7750009	7750009	7750009	7750009	7750009	7750009
Unit stand		118U5282	118U5282	118U5282	118U5282	118U5282	118U5282	118U5282	118U5282
Pressure Relief Valve		118U5304	118U5304	118U5304	118U5304	118U5304	118U5304	118U5304	118U5304
Sheet Metal									
Top panel		118U5146	118U5146	118U5146	118U5146	118U5146	118U5146	118U5146	118U5146
Fan panel		118U5147	118U5147	118U5147	118U5147	118U5147	118U5147	118U5147	118U5147
Back panel		118U5148	118U5148	118U5148	118U5148	118U5148	118U5148	118U5148	118U5148
Left side panel		118U5168	118U5168	118U5168	118U5168	118U5168	118U5168	118U5168	118U5168
Service panel	W05	118U5149	118U5149	118U5149	118U5149	118U5149	118U5149	118U5149	118U5149
	W09	118U5293	118U5293	118U5293	118U5293	118U5293	118U5293	118U5293	118U5293

XGE - FSC, Fan Speed Controller

* - Spare part, Starting Kit

Designation		MSIM068ML	MSIM068ML	MSIM080ML	MSIM080ML	MSIM099ML	MSIM108ML	MSSM012SC	MSSM015SC
Code Number	W05	114X7311	114X7312	114X7313	114X7314	114X7315	114X7316	114X7238	114X7239
	W09	114X7317	114X7318	114X7319	114X7320	114X7321	114X7322	114X7291	114X7292
Compressor Description		MLZ030T4	MLZ030T5	MLZ038T4	MLZ038T5	MLZ045T4	MLZ048T4	SC12G	SC15G
Oil (reference)		215PZ-POE46	215PZ-POE46	215PZ-POE46	215PZ-POE46	215PZ-POE46	215PZ-POE46	POE 22	POE 22
Housing		B3	B3	B3	B3	B3	B3	B1	B1
Spare Parts									
Compressor single pack		121L8437	121L8439	121L8441	121L8443	121L8445	121L8447	118U5367	118U5368
Condenser		118U5219	118U5219	118U5219	118U5219	118U5219	118U5219	118U5217	118U5217
Dual pressure switch		060-539766	060-539766	060-539766	060-539766	060-539766	060-539766	060-539766	060-539766
Fan assembly		118U5296	118U5296	118U5296	118U5296	118U5296	118U5296	-	-
Fan blade		-	-	-	-	-	-	118U3480	118U3480
Fan capacitor		-	-	-	-	-	-	118U3296	118U3296
Fan cowl/grill		118U3485	118U3485	118U3485	118U3485	118U3485	118U3485	118U3483	118U3483
Fan motor		-	--	-	-	-	-	118U3477	118U3477
Filter drier		023Z5044	023Z5044	023Z5044	023Z5044	023Z5044	023Z5044	023Z5040	023Z5040
Liquid valve		118U5253	118U5253	118U5253	118U5253	118U5253	118U5253	118U5254	118U5254
Receiver		118U5299	118U5299	118U5299	118U5299	118U5299	118U5299	118U5297	118U5297
E-box Cable gland		118U5258	118U5258	118U5258	118U5258	118U5258	118U5258	118U5258	118U5258
Sight glass		014L0173	014L0173	014L0173	014L0173	014L0173	014L0173	014L0182	014L0182
Suction valve		118U5290	118U5290	118U5290	118U5290	118U5290	118U5290	118U5254	118U5254
Brass plug (3/8" NPT)		118U4037	118U4037	118U4037	118U4037	118U4037	118U4037	118U4037	118U4037
Electrical Spare Parts									
Crankcase heater		120Z5040	120Z5040	120Z5040	120Z5040	120Z5040	120Z5040	120Z0057	120Z0057
Contact kit		118U3896	118U3895	118U3896	118U3868	118U3896	118U3896	118U3893	118U3893
Timer		118U5247	118U5247	118U5247	118U5247	118U5247	118U5247	118U5257	118U5257
Main switch kit	W05	118U3874	118U3871	118U3874	118U3871	118U3874	118U3874	118U3980	118U3980
	W09	118U3852	118U3857	118U3854	118U3857	118U3854	118U3854	118U5162	118U5234
Overload relay		118U3878	118U3880	118U3880	118U3881	118U3878	118U3878	118U3979	118U3979
Potentiometer		118U5511	118U5511	118U5511	118U5511	118U5511	118U5511	-	-
Run capacitor		-	8173233	-	8173234	-	-	-	-
Starting capacitor		-	120Z0400	-	120Z0400	-	-	117U5017	117U5017
Starting relay		-	120Z0394	-	120Z0395	-	-	117U6003	117U6005
Sequence phase relay		118U3882	118U3882	118U3882	118U3882	118U3882	118U3882	-	-
Accessories (Not Premounted)									
Acoustic hood		120Z5084	120Z5084	120Z5084	120Z5084	120Z5084	120Z5084	-	-
Discharge Gas thermostat		7750009	7750009	7750009	7750009	7750009	7750009	7750009	7750009
Unit stand		118U5282	118U5282	118U5282	118U5282	118U5282	118U5282	118U5281	118U5281
Pressure Relief Valve		118U5304	118U5304	118U5304	118U5304	118U5304	118U5304	118U5304	118U5304
Sheet Metal									
Top panel		118U5151	118U5151	118U5151	118U5151	118U5151	118U5151	118U5141	118U5141
Fan panel		118U5330	118U5330	118U5330	118U5330	118U5330	118U5330	118U5142	118U5142
Back panel		118U5153	118U5153	118U5153	118U5153	118U5153	118U5153	118U5143	118U5143
Left side panel		118U5169	118U5169	118U5169	118U5169	118U5169	118U5169	118U5167	118U5167
Service panel	W05	118U5154	118U5154	118U5154	118U5154	118U5154	118U5154	118U5144	118U5144
	W09	118U5331	118U5331	118U5331	118U5331	118U5331	118U5331	118U5156	118U5156

XGE - FSC, Fan Speed Controller

* - Spare part, Starting Kit

Designation		MSSM018SC	MSSM021SC	MSSM026CS	MSSM030CS	MSTM008DY	MSTM009DY	MSTM012DP	MSTM014DP
Code Number	W05	114X7240	114X7241	114X7248	114X7249	114X7226	114X7229	114X7230	114X7231
	W09	114X7293	114X7294	114X7304	114X7305	114X7286	114X7287	114X7288	114X7289
Compressor Description		SC18G	SC21G	CS26TB	CS30TB	DLY80Rab	DLY90Rab	DPT12RA	DPT14RA
Oil (reference)		POE 22	POE 22	POE 32	POE 46	POE 32	POE 32	POE 32	POE 32
Housing		B1	B1	B2	B2	B1	B1	B1	B1
Spare Parts									
Compressor single pack		118U5354	118U5356	123B6001	123B6002	123B6003	123B6004	123B6005	123B6006
Condenser		118U5217	118U5217	118U5218	118U5218	118U5217	118U5217	118U5217	118U5217
Dual pressure switch		060-539766	060-539766	060-539766	060-539766	060-539766	060-539766	060-539766	060-539766
Fan assembly		-	-	-	-	-	-	-	-
Fan blade		118U3480	118U3480	118U3481	118U3481	118U3480	118U3480	118U3480	118U3480
Fan capacitor		118U3296	118U3296	118U3297	118U3297	118U3296	118U3296	118U3296	118U3296
Fan cowl/grill		118U3483	118U3483	118U3484	118U3484	118U3483	118U3483	118U3483	118U3483
Fan motor		118U3477	118U3477	118U3823	118U3823	118U3477	118U3477	118U3477	118U3477
Filter drier		023Z5040	023Z5040	023Z5041	023Z5041	023Z5040	023Z5040	023Z5040	023Z5040
Liquid valve		118U5254	118U5254	118U5253	118U5253	118U5254	118U5254	118U5254	118U5254
Receiver		118U5297	118U5297	118U5298	118U5298	118U5297	118U5297	118U5297	118U5297
E-box Cable gland		118U5258	118U5258	118U5258	118U5258	118U5258	118U5258	118U5258	118U5258
Sight glass		014L0182	014L0182	014L0173	014L0173	014L0182	014L0182	014L0182	014L0182
Suction valve		118U5254	118U5254	118U5253	118U5253	118U5254	118U5254	118U5254	118U5254
Brass plug (3/8" NPT)		118U4037	118U4037	118U4037	118U4037	118U4037	118U4037	118U4037	118U4037
Electrical Spare Parts									
Crankcase heater		120Z0057	120Z0057	120Z0057	120Z0057	120Z0057	120Z0057	120Z0057	120Z0057
Contact kit		118U3893	118U3893	118U3894	118U3894	118U3893	118U3893	118U3893	118U3893
Timer		118U5257	118U5257	118U5257	118U5257	118U5257	118U5257	118U5257	118U5257
Main switch kit	W05	118U3980	118U3980	118U3976	118U3976	118U3980	118U3975	118U3975	118U3975
	W09	118U3853	118U3853	118U3852	118U3851	118U3853	118U3853	118U3853	118U3851
Overload relay		118U3978	118U3978	118U3876	118U3876	118U3978	118U3978	118U3978	118U3875
Potentiometer		-	-	-	-	-	-	-	-
Run capacitor		-	117-7029	-	123B9146	123B9222	123B9222	123B9315	123B9315
Starting capacitor		117U5017	117U5373	123B9304	123B9219	123B9315	123B9315	123B9215	123B9215
Starting relay		117U6009	-	123B9146	123B9302	123B9133	123B9133	123B9151	123B9151
Sequence phase relay		-	-	-	-	-	-	-	-
Accessories (Not Premounted)									
Acoustic hood		-	-	-	-	-	-	-	-
Discharge Gas thermostat		7750009	7750009	7750009	7750009	7750009	7750009	7750009	7750009
Unit stand		118U5281	118U5281	118U5282	118U5282	118U5281	118U5281	118U5281	118U5281
Pressure Relief Valve		118U5304	118U5304	118U5304	118U5304	118U5304	118U5304	118U5304	118U5304
Sheet Metal									
Top panel		118U5141	118U5141	118U5146	118U5146	118U5141	118U5141	118U5141	118U5141
Fan panel		118U5142	118U5142	118U5147	118U5147	118U5142	118U5142	118U5142	118U5142
Back panel		118U5143	118U5143	118U5148	118U5148	118U5143	118U5143	118U5143	118U5143
Left side panel		118U5167	118U5167	118U5168	118U5168	118U5167	118U5167	118U5167	118U5167
Service panel	W05	118U5144	118U5144	118U5149	118U5149	118U5144	118U5144	118U5144	118U5144
	W09	118U5156	118U5156	118U5293	118U5293	118U5156	118U5156	118U5156	118U5156

XGE - FSC, Fan Speed Controller

* - Spare part, Starting Kit

Designation		MSTM018DX	MSTM021DX	MSTM022DS	MSTM026DS	MSTM026DS	MSTM034DS	MSTM034DS	MSTM034DS
Code Number	W05	114X7232	114X7325	114X7233	114X7234	114X7235	114X7237	114X7236	114X7326
	W09	114X7290	114X7327	114X7299	114X7300	114X7301	114X7302	114X7303	114X7328
Compressor Description		DX18Tba	DX21Tba	DS22TB	DS26TB	DS26T3	DS34TB	DS34T3	DST38NA
Oil (reference)		POE 32	POE 46	POE 46	POE 46	POE 46	POE 46	POE 46	POE 46
Housing		B1	B2	B2	B2	B2	B2	B2	B2
Spare Parts									
Compressor single pack		123B6007	123B6019	123B6008	123B6009	123B6011	123B6010	123B6012	123B6017
Condenser		118U5217	118U5218	118U5218	118U5218	118U5218	118U5218	118U5218	118U5218
Dual pressure switch		060-539766	060-539766	060-539766	060-539766	060-539766	060-539766	060-539766	060-539766
Fan assembly		-	-	-	-	-	-	-	-
Fan blade		118U3480	118U3481	118U3481	118U3481	118U3481	118U3481	118U3481	118U3481
Fan capacitor		118U3296	118U3297	118U3297	118U3297	118U3297	118U3297	118U3297	118U3297
Fan cowl/grill		118U3483	118U3484	118U3484	118U3484	118U3484	118U3484	118U3484	118U3484
Fan motor		118U3477	118U3823	118U3823	118U3823	118U3823	118U3823	118U3823	118U3823
Filter drier		023Z5040	023Z5041	023Z5041	023Z5041	023Z5041	023Z5041	023Z5041	023Z5041
Liquid valve		118U5254	118U5298	118U5253	118U5253	118U5253	118U5253	118U5253	118U5298
Receiver		118U5297	118U5251	118U5298	118U5298	118U5298	118U5298	118U5298	118U5251
E-box Cable gland		118U5258	118U5258	118U5258	118U5258	118U5258	118U5258	118U5258	118U5258
Sight glass		014L0182	014L0173	014L0173	014L0173	014L0173	014L0173	014L0173	014L0173
Suction valve		118U5254	118U5253	118U5253	118U5253	118U5253	118U5253	118U5253	118U5253
Brass plug (3/8" NPT)		118U4037	118U4037	118U4037	118U4037	118U4037	118U4037	118U4037	118U4037
Electrical Spare Parts									
Crankcase heater		120Z0057	120Z0057	120Z0057	120Z0057	120Z0057	120Z0057	120Z0057	120Z0057
Contact kit		118U3894	118U3894	118U3894	118U3896	118U3893	118U3867	118U3893	118U3893
Timer		118U5257	118U5257	118U5257	118U5257	118U5257	118U5257	118U5257	118U5257
Main switch kit	W05	118U3980	118U3976	118U3976	118U3976	118U5088	118U5102	118U5088	118U5088
	W09	118U3853	118U3851	118U3851	118U3853	118U3854	118U3851	118U3851	118U3851
Overload relay		118U3876	118U3876	118U3876	118U3877	118U3978	118U3879	118U3875	118U3875
Potentiometer		-	-	-	-	-	-	-	-
Run capacitor		123B9219	123B9215	123B9215	123B9215	-	123B9226	-	123B9226
Starting capacitor		123B9321	123B9302	123B9302	123B9304	-	123B9304	-	123B9304
Starting relay		123B9159	123B9154	123B9154	123B9154	-	123B9154	-	123B9154
Sequence phase relay		-	-	-	-	-	-	-	-
Accessories (Not Premounted)									
Acoustic hood		-	-	-	-	-	-	-	-
Discharge Gas thermostat		7750009	7750009	7750009	7750009	7750009	7750009	7750009	7750009
Unit stand		118U5281	118U5282	118U5282	118U5282	118U5282	118U5282	118U5282	118U5282
Pressure Relief Valve		118U5304	118U5304	118U5304	118U5304	118U5304	118U5304	118U5304	118U5304
Sheet Metal									
Top panel		118U5141	118U5146	118U5146	118U5146	118U5146	118U5146	118U5146	118U5146
Fan panel		118U5142	118U5147	118U5147	118U5147	118U5147	118U5147	118U5147	118U5147
Back panel		118U5143	118U5148	118U5148	118U5148	118U5148	118U5148	118U5148	118U5148
Left side panel		118U5167	118U5168	118U5168	118U5168	118U5168	118U5168	118U5168	118U5168
Service panel	W05	118U5144	118U5149	118U5149	118U5149	118U5149	118U5149	118U5149	118U5149
	W09	118U5156	118U5293	118U5293	118U5293	118U5293	118U5293	118U5293	118U5293

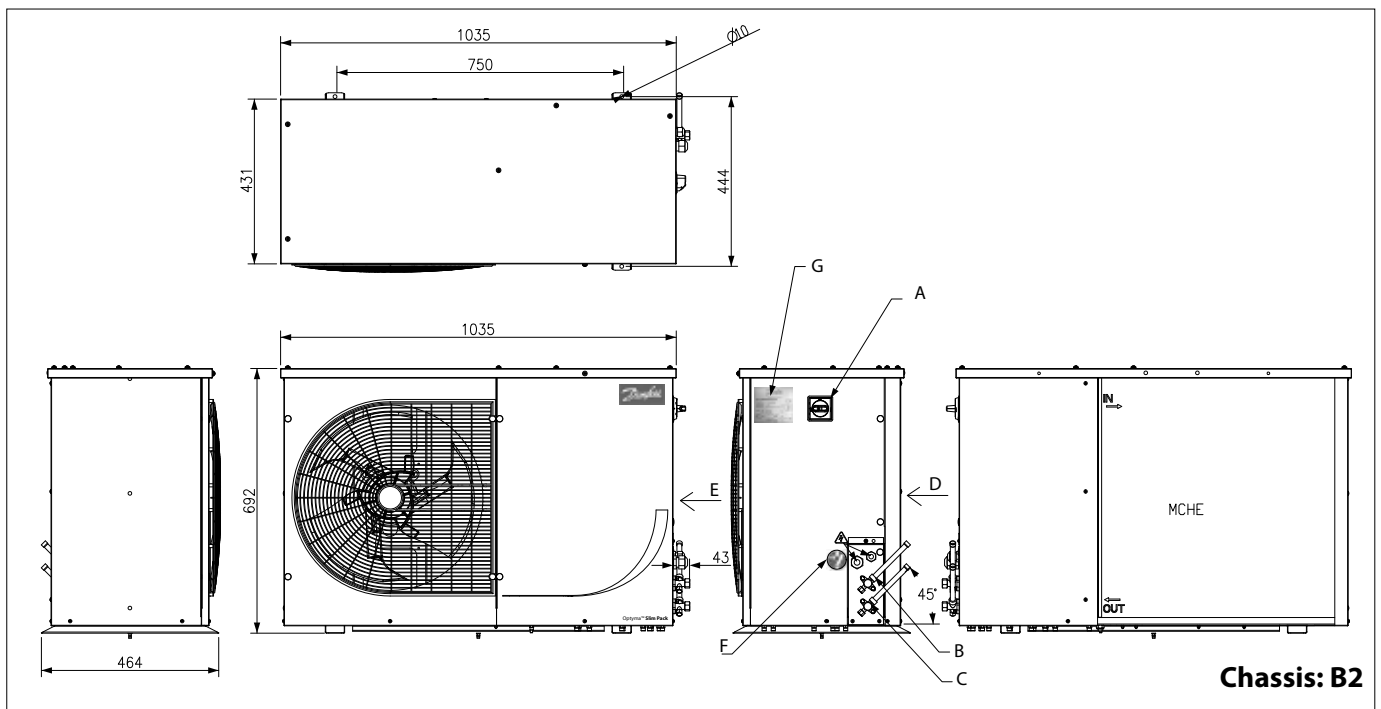
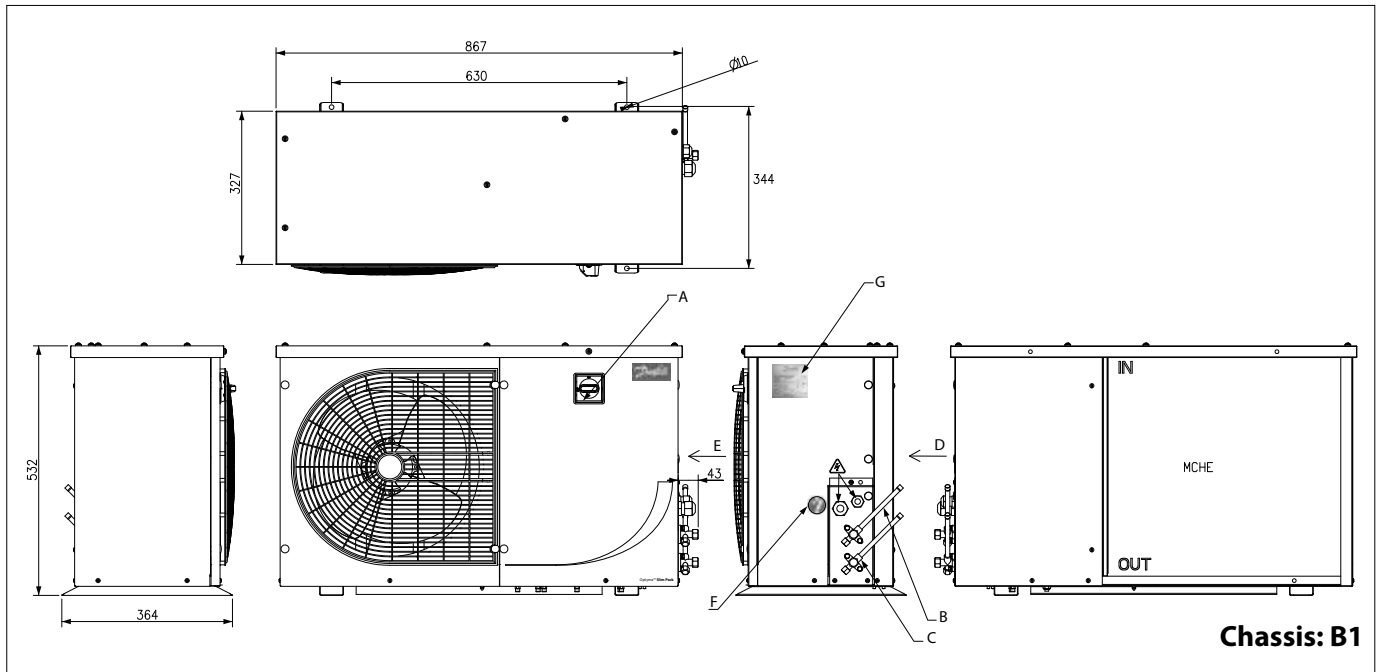
XGE - FSC, Fan Speed Controller
 * - Spare part, Starting Kit

Component type	Component code	Component description	Additional informations
Acoustic Hood	120Z0575	ACOUSTIC HOOD COMP 1CYL	
Acoustic Hood	120Z5043	ACCOUSTIC HOOD - SMALL FRAME	
Acoustic Hood	120Z5044	Acoustic hood for Scroll MLZ compressor	
Acoustic Hood	120Z5045	ACCOUSTIC HOOD, LARGE FRAME	
Acoustic Hood	120Z5052	Sound Cover, LLZ013-018	
Back Panel B1	118U5143	SPARE PART, SHEET METAL BACK B1	
Back Panel B2	118U5148	SPARE PART, SHEET METAL BACK B2	
Back Panel B3	118U5153	SPARE PART, SHEET METAL BACK B3	
Brass plug (3/8" NPT)	118U4037	SPARE PART, 3/8" BRASS PLUG	3/8" NPT connection
Capacitor	8173001	CAPACITOR 100µF 330V+R	
Capacitor	8173041	CAPACITOR 30µF 450V	
Capacitor	117U5017	START CAPACITOR 80 mfd	
Capacitor	117U5012	Start Capacitor 125 mF, 220V/50Hz	
Capacitor	120Z0400	CAPACITOR 161-193µF 330V	
Compressor Single Pack	118U5333	SPARE PART COM FH2511 1P FH2 PLUS	
Compressor Single Pack	118U5334	SPARE PART COM FH2511 3P FH2 PLUS	
Compressor Single Pack	118U3988	CAJ9510Z - AJ2 range	
Compressor Single Pack	118U3989	TAJ4519Z - AJ2 range	
Compressor Single Pack	118U3990	CAJ2464Z - AJ2 range	
Compressor Single Pack	118U3991	TAJ4517Z - AJ2 range	
Compressor Single Pack	118U3992	CAJ2446Z - AJ2 range	
Compressor Single Pack	118U3993	CAJ4517Z - AJ2 range	
Compressor Single Pack	118U3994	CAJ4519Z - AJ2 range	
Compressor Single Pack	118U3995	CAJ9513Z - AJ2 range	
Compressor Single Pack	118U3996	CAJ4511Y - AJ2 range	
Compressor Single Pack	118U3997	CAJ4492Y - AJ2 range	
Compressor Single Pack	120F0226	NTZ048-4LR1B	
Compressor Single Pack	120F0228	NTZ048-5LR1B	
Compressor Single Pack	120F0230	NTZ068-4LR1B	
Compressor Single Pack	120F0232	NTZ068-5LR1B	
Compressor Single Pack	121L8629	MLZ015T4LP9A	
Compressor Single Pack	121L8631	MLZ015T5LP9A	
Compressor Single Pack	121U8731	MLZ019T5LT9A COMPRESSOR	
Compressor Single Pack	120U8725	MLZ019T4LP9A COMPRESSOR	
Compressor Single Pack	121L8633	MLZ021T4LP9A	
Compressor Single Pack	121L8635	MLZ021T5LP9A	
Compressor Single Pack	121L8637	MLZ026T4LP9A	
Compressor Single Pack	121L8639	MLZ026T5LP9A	
Compressor Single Pack	121L8641	MLZ030T4LC9A	
Compressor Single Pack	121L8643	MLZ030T5LC9A	
Compressor Single Pack	121L8645	MLZ038T4LC9A	
Compressor Single Pack	121L8647	MLZ038T5LC9A	
Compressor Single Pack	121L8649	MLZ045T4LC9A	
Compressor Single Pack	121L8651	MLZ048T4LC9A	
Compressor Single Pack	121L9535	LLZ013T4LQ9A	
Compressor Single Pack	121L9537	LLZ015T4LQ9A	
Compressor Single Pack	121L9539	LLZ018T4LQ9A	
Compressor Single Pack	123B2126	MPT14LA	
Compressor Single Pack	123B2127	MPT16LA	
Compressor Single Pack	123B2514	MLY90RAb	
Compressor Single Pack	123B2518	MPT12RA	
Compressor Single Pack	123B2704	MPT14RA	
Compressor Single Pack	195B0050	SC12G	
Compressor Single Pack	195B0053	SC15G	
Compressor Single Pack	195B0059	SC18G	
Compressor Single Pack	195B0636	SC21G	
Compressor Single Pack	123B6001	CS26TB; 220-240V 50Hz ~1; I Pack	
Compressor Single Pack	123B6002	CS30TB; 220-240V 50Hz ~1; I Pack	
Compressor Single Pack	123B6003	DLY80RAb; 220-240V 50Hz ~1; I Pack	
Compressor Single Pack	123B6004	DLY90RAb; 220-240V 50Hz ~1; I Pack	
Compressor Single Pack	123B6005	DPT12RA; 220-240V 50Hz ~1; I Pack	
Compressor Single Pack	123B6006	DPT14RA; 220-240V 50Hz ~1; I Pack	
Compressor Single Pack	123B6007	DX18TBa; 220-240V 50Hz ~1; I Pack	
Compressor Single Pack	123B6008	DS22TB; 220-240V 50Hz ~1; I Pack	
Compressor Single Pack	123B6009	DS26TB; 220-240V 50Hz ~1; I Pack	
Compressor Single Pack	123B6010	DS34TB; 220-240V 50Hz ~1; I Pack	
Compressor Single Pack	123B6011	DS26T3; 400/440V 50/60Hz ~3; I Pack	
Compressor Single Pack	123B6012	DS34T3; 400/440V 50/60Hz ~3; I Pack	
Compressor Single Pack	123B6013	DPT14LA; 220-240V 50Hz ~1; I Pack	
Compressor Single Pack	123B6014	DPT16LA; 220-240V 50Hz ~1; I Pack	

Component type	Component code	Component description	Additional informations
Compressor Single Pack	123B6015	DST26NA; 220-240V 50Hz; I Pack	
Compressor Single Pack	123B6016	DST34LA; 220-240V 50Hz ~1; I Pac	
Compressor Single Pack	121L8421	MLZ015T4; A2L compressor, Single pack	
Compressor Single Pack	121L8423	MLZ015T5; A2L compressor, Single pack	
Compressor Single Pack	121L8425	MLZ019T4; A2L compressor, Single pack	
Compressor Single Pack	121L8427	MLZ019T5; A2L compressor, Single pack	
Compressor Single Pack	121L8429	MLZ021T4; A2L compressor, Single pack	
Compressor Single Pack	121L8431	MLZ021T5; A2L compressor, Single pack	
Compressor Single Pack	121L8433	MLZ026T4; A2L compressor, Single pack	
Compressor Single Pack	121L8435	MLZ026T5; A2L compressor, Single pack	
Condenser	118U3492	Spare part, A7 MCHX	Phased out & replaced by 118U5217 from SN: -096147CG0419
Condenser	118U3493	Spare part, D7 MCHX	Phased out & replaced by 118U5218 from SN: -096147CG0419
Condenser	118U3494	Spare part, G7 MCHX	Phased out & replaced by 118U5219 from SN: -096147CG0419
Contactorkit	118U3867	KIT CONT,LC1E2501M6	
Contactorkit	118U3868	KIT CONT,LC1E3801M6	
Contactorkit	118U3893	KIT CONT,LC1E0901M5	
Contactorkit	118U3894	KIT CONT,LC1E1201M5	
Contactorkit	118U3895	KIT CONT,LC1E3201M5	
Contactorkit	118U3896	KIT CONT,LC1E1801M5	
Crankcase heater	120Z0057	Belt type, 50 W, 230 V, CE mark, UL	
Crankcase heater	120Z0459	PTC heater 27 W, CE mark, UL	
Crankcase heater	120Z5040	Belt type, 70 W, 240 V, CE mark, UL	
Crankcase heater	118U0051	CRANKCASE HEATER 55W	
Door Handle	118U3858	HANDLE, ABB-OHB2AJM,MSMN,OXSSX131	
Dual pressure switch	060-539766	KP17WB Pressure Switch M/24	
E-box Cable gland	118U5258	SPARE PART, CABLE GLAND	
Fan assembly	118U3829	FAN ASSEMBLIES, EBM, ERP2015	
Fan blade	118U3480	FAN BLADE 14"	
Fan blade	118U3481	FAN BLADE 18"	
Fan capacitor	118U3296	CAPACITOR 1,8 µF	
Fan capacitor	118U3297	25PACITOR 3,5 µF	
Fan cowl/grill	118U3483	FAN GRILL HOUSING Ø356 mm	
Fan cowl/grill	118U3484	FAN GRILL HOUSING Ø457 mm	
Fan cowl/grill	118U3485	FAN GRILL HOUSING Ø609 mm	
Fan motor (Capacitor not included)	118U3477	FAN MOTOR 25W	
Fan motor (Capacitor not included)	118U3823	FAN MOTOR 68W	
Fan panel B1	118U5142	SPARE PART, SHEET METAL FAN B1	
Fan panel B2	118U5147	SPARE PART, SHEET METAL FAN B2	
Fan panel B3	118U5152	SPARE PART, SHEET METAL FAN B3	
Fan speed control Female connection	061H3248	XGE-2C	
Filter drier	023Z5040	DML083	
Filter drier	023Z5041	DML084	
Filter drier	023Z5044	DML164	
Fusible plug (1/4")	118U5170	SPARE PART, FUSIBLE PLUG	
Isolator switch	118U5117	SPARE PART, ISOLATOR SWITCH SHAFT ASSLY B1/B2	
Isolator switch	118U5120	SPARE PART, ISOLATOR SWITCH SHAFT ASSLY B3 3PH	
Isolator switch	118U5119	SPARE PART, ISOLATOR SWITCH SHAFT ASSLY B3 1PH	
Left Side Panel B1	118U5167	SPARE PART, SHEET METAL LEFT SIDE B1	
Left Side Panel B2	118U5168	SPARE PART, SHEET METAL LEFT SIDE B2	
Left Side Panel B3	118U5169	SPARE PART, SHEET METAL LEFT SIDE B3	
Main switch kit	118U3869	C60H2P25AC	
Main switch kit	118U3870	C60H2P32AC	
Main switch kit	118U3871	C60H2P40AC	
Main switch kit	118U3872	C60H4P10AC	
Main switch kit	118U3873	C60H4P16AC	
Main switch kit	118U3874	C60H4P20AC	
Main switch kit	118U3975	KIT CIRCUITBREAKER,C60H2P10A	
Main switch kit	118U3976	KIT CIRCUITBREAKER,C60H2P16A	
Main switch kit	118U3980	KIT CIRCUITBREAKER, -A9N2P06C	
Main switch kit	118U3851	KIT MPCB, ABB-MS116-10+HK1-20	
Main switch kit	118U3852	KIT MPCB, ABB-MS116-16+HK1-20	
Main switch kit	118U3853	KIT MPCB, ABB-MS116-6.3+HK1-20	
Main switch kit	118U3854	KIT MPCB, ABB-MS132-20+HK1-20	
Main switch kit	118U3855	KIT MPCB, ABB-MS132-25+HK1-20	
Main switch kit	118U3856	KIT MPCB, ABB-MS132-32+HK1-20	
Main switch kit	118U3857	KIT MPCB, ABB-MS450-40+HKS4-20	
Main switch kit	118U5162	SPARE PART, KIT MPCB MS116-4.0 2.5-4A	
Main switch kit	118U5234	KIT MPCB, MS116-4.0	

Component type	Component code	Component description	Additional informations
Main switch kit	118U5237	KIT MPCB, MS116-12	
Main switch kit	118U5088	KIT MPCB, A9N4P10C	
Main switch kit	118U5102	KIT MPCB, A9N2P25C	
Main switch kit	118U5084	KIT MPCB, A9N4P16C	
Main switch kit	118U5098	KIT MPCB, A9N2P32C	
Oil	-	POE32 for Light Commercial (MLY / MPT)	
Oil	-	RL32HA/HT for light Commercial (CAJ/FH/TAJ/TFH)	
Oil	120Z0638	1 litre can of 175PZ - POE (NTZ Platform)	CU with a SN above 051220CG3016
Oil	120Z0648	1 litre can of 215PZ - POE46 (MLZ & LLZ Platform)	CU with a SN above 051220CG3016
Overload relay	118U3875	KIT OL-RELAY, -LRE12+LAEB2	
Overload relay	118U3876	KIT OL-RELAY, -LRE14+LAEB2	
Overload relay	118U3877	KIT OL-RELAY, -LRE16+LAEB2	
Overload relay	118U3878	KIT OL-RELAY, -LRE21+LAEB2	
Overload relay	118U3879	KIT OL-RELAY, -LRE22+LAEB2	
Overload relay	118U3880	KIT OL-RELAY, -LRE32+LAEB2	
Overload relay	118U3881	KIT OL-RELAY, -LRE35+LAEB2	
Overload relay	118U3978	KIT OL-RELAY, -LRE1	
Overload relay	118U3979	KIT OL-RELAY, -LRE08	
Receiver	118U4020	LIQUID RECEIVER 1,3 L	
Receiver	118U4012	LIQUID RECEIVER 3,4 L	
Receiver	118U4014	LIQUID RECEIVER 6,2 L	
Receiver	118U4069	SPARE PART, RCVR 1.3L, 1/4x3/8	
Receiver	118U5298	SPARE PART, RCVR 3.4L, 1/2x1/2	
Relay	8173022	STARTING RELAY TYPE RVA6AMKL	
Relay	117U6013	STARTING RELAY	
Relay	117U6019	Starting Relay SC 50/60 Hz	
Relay	117U6011	STARTING RELAY SC 220V/60Hz	
Relay	117-7027	SC-RELAY	
Relay	117U6003	STARTING RELAY TL/SC 115V/50/60Hz	
Relay	117U6005	STARTING RELAY SC 220V/50Hz	
Relay	117-7029	SC-RELAY	
Relay	123B9133	RELAY + CON. BOARD 1149-8 BDG 149S+ NTC	
Relay	123B9139	RELAY + CON. BOARD 1166-8 BDG 166S+ NTC	
Relay	123B9151	RELAY + CON. BOARD 1158-8 BDG 158S+ NTC	
Run capacitor	8173231	Run capacitor 440V, 40 µF	
Run capacitor	8173233	Run capacitor 440V,50 µF	
Run capacitor	8173234	Run capacitor 440V,55 µF	
Run capacitor	120Z0051	Run capacitor 70 µF	
Run capacitor	123B9222	RUN CAPACITOR 10µF/420V, REF. 326	
Run capacitor	123B9219	RUN CAPACITOR 16µF/420V, REF. 321	
Run capacitor	123B9226	RUN CAPACITOR 25µF/420V, REF. 310 MET.	
Run capacitor	123B9215	Run capacitor 420V, 20 µF	
Sequence phase relay	118U3882	SM500-MG73BF	
Service panel W05 B1	118U5144	SPARE PART, SHEET METAL SERVICE PANEL B1	
Service panel W05 B2	118U5149	SPARE PART, SHEET METAL SERVICE PANEL B2	
Service panel W05 B3	118U5154	SPARE PART, SHEET METAL SERVICE PANEL B3	
Service panel W09 B1	118U5156	SPARE PART, SHEET METAL SERVICE PANEL B1- W09	
Service panel W09 B1	118U5156	SPARE PART, SHEET METAL SERVICE PANEL B1 -W09 A2L	
Service panel W09 B2	118U5157	SPARE PART, SHEET METAL SERVICE PANEL B2 -W09	
Service panel W09 B2	118U5293	SPARE PART, SHEET METAL SERVICE PANEL B2 -W09 A2L	
Service panel W09 B3	118U5158	SPARE PART, SHEET METAL SERVICE PANEL B3 -W09	
Service valve	118U3761	SPARE PART - BRAZED SERVICE VALVE 1/2"	
Service valve	118U3414	SPARE PART - BRAZED SERVICE VALVE 3/8"	
Service valve	118U3762	SPARE PART VALVE- BRAZE SERVICE VALVE 3/4"	
Service valve	118U3763	SPARE PART-BRAZE SERVICE VALVE 7/8"	
Service valve	118U3764	SPARE PART-BRAZE SERVICE VALVE 5/8"	
Service valve	118U5253	SPARE PART, ECOSOFT SERVICE VLV 1/2"	
Service valve	118U5254	SPARE PART, ECOSOFT SERVICE VLV 3/8"	
Sight glass	014L0173	SGP 12 N	
Sight glass	014L0182	SGP 10s N	
Start capacitor	123B9302	Start capacitor 72-88 µF, 330 V	
Start capacitor	123B9316	STARTING CAPACITOR+CC 72-88µF/330V R216	
Start capacitor	123B9315	STARTING CAPACITOR+CC 64-77µF/330V R205	
Start capacitor	117U5373	START CAPACITOR 80 mfd	
Start capacitor	120Z0399	Start capacitor 145-175 F	
Start capacitor	123B9321	Start capacitor 88-108 µF, 330V+Cover+Cable	

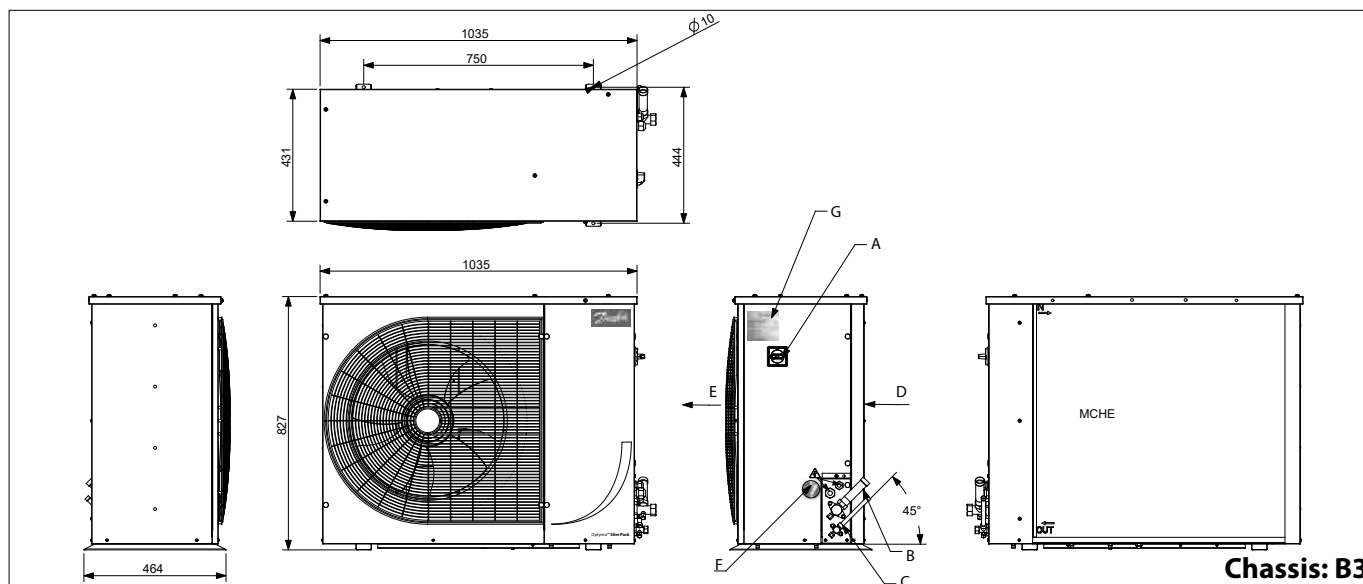
Component type	Component code	Component description	Additional informations
Start capacitor	117U5017	Start capacitor 80 µF, 220V - SC	
Start capacitor	123B9304	Start capacitor 88-108 µF, 330V	
Start relay	120Z0393	Starting relay RVA9CKL	
Start relay	120Z0394	Starting relay RVA3EKL	
Start relay	120Z0395	Starting relay RVA4GKL	
Start relay	123B9133	RELAY + CON. BOARD 1149-8 BDG 149S+ NTC	
Start relay	123B9151	RELAY + CON. BOARD 1158-8 BDG 158S+ NTC	
Start relay	117U6003	STARTING RELAY TL/SC 115V/50/60Hz	
Start relay	117U6005	STARTING RELAY SC 220V/50Hz	
Start relay	123B9159	Relay + Con. Board R.1180	
Start relay	117U6009	Relay Assembly - SC18G	
Start relay	123B9154	Tension Relay 9002	
Start relay	123B9146	Tension Relay 9004	
Start relay	123B9219	RUN CAPACITOR 16µF/420V, REF. 321	
Starting KIT	118U5191	CAJ2446Z _ F1 KIT Capacitor and relay	
Starting KIT	118U5192	CAJ2464Z _ F1 KIT Capacitor and relay	
Starting KIT	118U5193	CAJ4492Y _ F1 KIT Capacitor and relay	
Starting KIT	118U5194	CAJ4511Y _ F1KIT Capacitor and relay	
Starting KIT	118U5195	CAJ4517Z _ F1 KIT Capacitor and relay	
Starting KIT	118U5196	CAJ4519Z _ F1 KIT Capacitor and relay	
Starting KIT	118U5197	CAJ9510Z _ F1 KIT Capacitor and relay	
Starting KIT	118U5198	CAJ9513Z _ F1KIT Capacitor and relay	
Starting KIT	118U5199	FH2511Z _ F1KIT Capacitor and relay	
Starting relay	123B9146	Tension Relay 9004	
Timer	118U5257	SPARE PART, GIC TIMER	
Timer	118A2165	SPARE PART, GIC TIMER (A2L)	
Top Panel B1	118U5141	SPARE PART, SHEET METAL TOP B1	
Top Panel B2	118U5146	SPARE PART, SHEET METAL TOP B2	
Top Panel B3	118U5151	SPARE PART, SHEET METAL TOP B3	
Unit stand	118U5281	SPARE PART, B1 UNIT STAND (A2L)	
Unit stand	118U5282	SPARE PART, B2 UNIT STAND (A2L)	



- A Isolator Switch (W09 only)
- B Suction Valve
- C Liquid Valve

- D Air in
- E Air out
- F Door safety Lable

- G Name Plate
 - Electrical Cables
- Note: all dimension are in mm*



- A Isolator Switch (W09 only)
- B Suction Valve
- C Liquid Valve

- D Air in
- E Air out
- F Door safety Lable

- G Name Plate
 - ⚡ Electrical Cables
- Note: all dimension are in mm



For electrical wiring diagrams refer to installation guide AN23308644013405-xxxxxx

Optyma™ Plus

Equipped for **quietness** and **top performance**

The same robust quality with added technology and smarter design. That's a seriously cool combination.



Quick and safe installation and service

Same serviceable units, upgraded for A2L refrigerants. Ignition proof tested in TÜV laboratory.



High SEPR*

All models in the range are highly efficient and well above EcoDesign 2018 thresholds, contributing to a reduction in energy costs. **SEPR: Seasonal Energy Performance Ratio.*

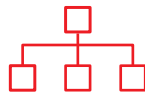


Multi-refrigerants units for complexity reduction, available with new code numbers. Go A2L for a sustainable compliant choice.



The best sound performance in the market

Due to its long-life compressor, acoustic insulation, component design as well as intelligent fan speed reduction during low capacity operation.



Connectivity

Contributes to considerable energy savings, making the Optyma™ Plus up to 20% more economical than an equivalent product.



Standard range (P00 and P02)

In-field stacking cuts costs

With its unique load-bearing design, it's possible to stack units in the field. This cuts installation time, and saves on carpentry and brackets to reduce cost.

Compact cabinet speeds installation

New compact design makes it easier to maneuver when fitting in tight spaces, saving installation time.

New MCHC alloy coils

New upgraded alloy with 1000 hours salt spray test



Accessibility to speed up service

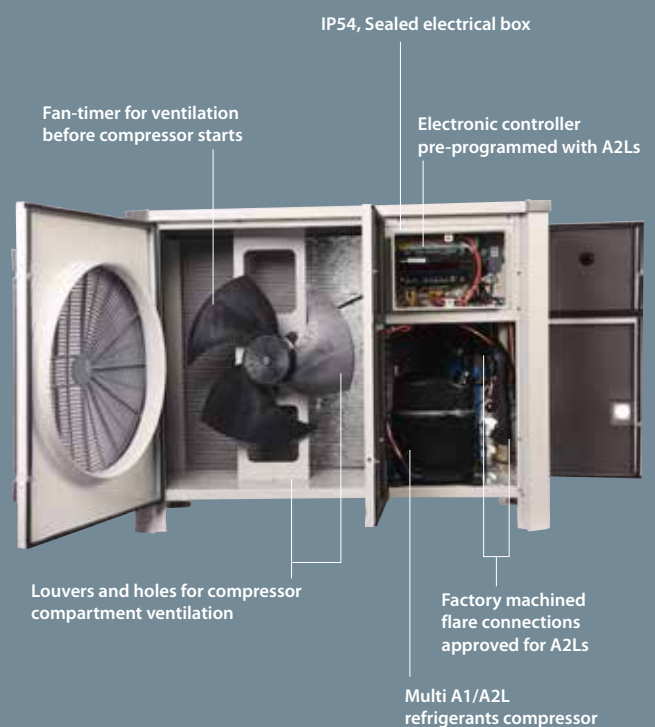
Easier and quicker accessibility to all components with new double door design – saves time during servicing, maintenance and repair.

Intelligent technology speeds start-up and enhances reliability

Preset parameters make it easier to get it right from the start. Fewer mistakes reduce the risk of damage and save time and money on repairs.

P02: Scroll compressor with Liquid injection management for safety and reliability of installation using high glide refrigerants

Multi refrigerant range (P00) additional feature



Electrical components approved for A2Ls



Stacking up to 2 units

Model	Code	Version	Refrigerant group	Electrical code (1)	Tamb [°C]	Cooling capacity Q [kW] (2)							EcoDesign (3)		Min Fuse rating gL/gG (A)	Sound pressure level 10 m dB(A)
						Evaporating Temperature (Mid point) [°C]							COP	SEPR		
						-40°C	-35°C	-30°C	-25°C	-20°C	-15°C	-10°C				
OP-LPVM016DP	114X3110	P00	A1 + A2L	G	27	0.35	0.48	0.63	0.79	0.96	1.15	-	1.00	-	6	31
					32	0.31	0.43	0.56	0.71	0.87	1.04	-				
					38	-	0.37	0.48	0.61	0.75	0.91	-				
					43	-	0.31	0.42	0.53	0.66	0.80	-				
OP-LPQM017DP	114X3118	P00	A1	G	27	0.35	0.48	0.63	0.79	0.96	1.15	-	1.00	-	6	31
					32	0.31	0.43	0.56	0.71	0.87	1.04	-				
					38	-	0.37	0.48	0.61	0.75	0.91	-				
					43	-	0.31	0.42	0.53	0.66	0.80	-				
OP-LPVM026DS	114X3201	P00	A1 + A2L	G	27	0.49	0.70	0.95	1.23	1.55	1.90	-	0.98	-	10	38
					32	0.44	0.63	0.86	1.13	1.42	1.75	-				
					38	-	0.56	0.76	1.00	1.27	1.58	-				
					43	-	0.49	0.68	0.90	1.15	1.44	-				
OP-LPVM034DS	114X3202	P00	A1 + A2L	G	27	0.67	0.95	1.27	1.63	2.04	2.48	-	1.02	-	10	39
					32	0.60	0.86	1.16	1.49	1.87	2.28	-				
					38	-	0.75	1.02	1.33	1.67	2.05	-				
					43	-	0.67	0.91	1.19	1.50	1.86	-				
OP-LPQM048NT	114X3233	P00	A1	E	27	0.80	1.13	1.52	1.94	2.42	2.94	-	1.10	-	6	39
					32	0.69	0.99	1.35	1.74	2.17	2.63	-				
					38	0.54	0.82	1.14	1.49	1.86	2.27	-				
					43	0.41	0.68	0.97	1.28	1.62	1.97	-				
OP-LPVM048NT	114X3205	P00	A1+A2L	E	27	0.80	1.13	1.52	1.94	2.42	2.94	-	1.10	-	6	39
					32	0.69	0.99	1.35	1.74	2.17	2.63	-				
					38	0.54	0.82	1.14	1.49	1.86	2.27	-				
					43	0.41	0.68	0.97	1.28	1.62	1.97	-				
OP-LPQM048NT	114X3225	P00	A1	G	27	0.84	1.17	1.57	2.02	2.54	3.11	-	1.15	-	12	39
					32	0.71	1.02	1.38	1.80	2.27	2.79	-				
					38	0.57	0.84	1.17	1.54	1.96	2.42	-				
					43	0.47	0.71	1.00	1.33	1.71	2.11	-				
OP-LPVM048NT	114X3204	P00	A1+A2L	G	27	0.84	1.17	1.57	2.02	2.54	3.11	-	1.15	-	12	39
					32	0.71	1.02	1.38	1.80	2.27	2.79	-				
					38	0.57	0.84	1.17	1.54	1.96	2.42	-				
					43	0.47	0.71	1.00	1.33	1.71	2.11	-				
OP-LPQM068NT	114X3249	P00	A1	E	27	1.29	1.73	2.23	2.77	3.33	3.91	-	1.17	-	10	40
					32	1.12	1.52	1.97	2.46	2.96	3.49	-				
					38	0.92	1.27	1.66	2.08	2.54	3.00	-				
					43	0.75	1.07	1.42	1.79	2.19	2.57	-				
OP-LPVM068NT	114X3207	P00	A1+A2L	E	27	1.29	1.73	2.23	2.77	3.33	3.91	-	1.17	-	10	40
					32	1.12	1.52	1.97	2.46	2.96	3.49	-				
					38	0.92	1.27	1.66	2.08	2.54	3.00	-				
					43	0.75	1.07	1.42	1.79	2.19	2.57	-				
OP-LPQM068NT	114X3241	P00	A1	G	27	1.32	1.75	2.22	2.75	3.32	3.92	-	1.02	-	20	40
					32	1.11	1.52	1.96	2.44	2.96	3.51	-				
					38	0.88	1.25	1.65	2.08	2.54	3.02	-				
					43	0.70	1.03	1.40	1.79	2.21	2.63	-				
OP-LPOM067LL	114X3371	P02	A1	E	27	2.05	2.64	3.36	4.21	5.20	6.34	-	-	1.72	16	43
					32	1.90	2.44	3.10	3.88	4.80	5.86	-				
					38	1.73	2.20	2.79	3.49	4.31	5.27	-				
					43	1.59	2.01	2.53	3.15	3.90	4.77	-				
OP-LPKM067LL	114X3304	P02	A1+A2L	E	27	2.05	2.64	3.36	4.21	5.20	6.34	-	-	1.77	16	43
					32	1.90	2.44	3.10	3.88	4.80	5.86	-				
					38	1.73	2.20	2.79	3.49	4.31	5.27	-				
					43	1.59	2.01	2.53	3.15	3.90	4.77	-				

LBP

(1) G - Compressor 230V/1Ph/50Hz, fan 230V/1Ph/50Hz

E - Compressor 400V/3Ph/50Hz, fan 230V/1Ph/50Hz

(2) Nominal conditions (EN13215), Evaporating temperatures at Mid point, Superheat 10K, Subcooling 0K

(3) Rated conditions (EN13215), Evaporating temperature (Mid point) -35°C, Ambient air temperature +32°C, Return Gas Temperature 20°C, Subcooling 0K (NTZ comp models with 10K superheat)

This table continues on the next page



For regular updates and detailed capacities, please refer to **Coolselector®2** software



Model	Code	Version	Refrigerant group	Electrical code (1)	T _{amb} [°C]	Cooling capacity Q [kW] (2)							EcoDesign (3)		Min Fuse rating gL/gG (A)	Sound pressure level 10 m dB(A)
						Evaporating Temperature (Mid point) [°C]							COP	SEPR		
						-40°C	-35°C	-30°C	-25°C	-20°C	-15°C	-10°C				
OP-LPOM084LL	114X3372	P02	A1	E	27	2.55	3.23	4.03	4.96	6.03	7.25	-	-	1.69	20	43
					32	2.35	2.97	3.71	4.57	5.56	6.69	-				
					38	2.10	2.66	3.32	4.09	4.98	6.00	-				
					43	1.88	2.38	2.98	3.67	4.48	5.41	-				
OP-LPKM084LL	114X3305	P02	A1+A2L	E	27	2.55	3.23	4.03	4.96	6.03	7.25	-	-	1.72	20	43
					32	2.35	2.97	3.71	4.57	5.56	6.69	-				
					38	2.10	2.66	3.32	4.09	4.98	6.00	-				
					43	1.88	2.38	2.98	3.67	4.48	5.41	-				
OP-LPOM098LL	114X3373	P02	A1	E	27	2.98	3.76	4.68	5.74	6.95	8.31	-	-	1.69	20	43
					32	2.74	3.46	4.30	5.28	6.40	7.66	-				
					38	2.43	3.08	3.84	4.71	5.71	6.85	-				
					43	2.18	2.76	3.43	4.22	5.12	6.15	-				
OP-LPKM098LL	114X3306	P02	A1+A2L	E	27	2.98	3.76	4.68	5.74	6.95	8.31	-	-	1.72	20	43
					32	2.74	3.46	4.30	5.28	6.40	7.66	-				
					38	2.43	3.08	3.84	4.71	5.71	6.85	-				
					43	2.18	2.76	3.43	4.22	5.12	6.15	-				
OP-LPOM120LL	114X3485	P02	A1	E	27	3.85	4.89	6.12	7.57	9.26	11.19	-	-	1.77	25	50
					32	3.54	4.51	5.66	7.01	8.58	10.39	-				
					38	3.17	4.04	5.08	6.30	7.73	9.38	-				
					43	2.84	3.63	4.57	5.69	6.99	8.50	-				
OP-LPKM120LL	114X3405	P02	A1+A2L	E	27	3.85	4.89	6.12	7.57	9.26	11.19	-	-	1.83	25	47
					32	3.54	4.51	5.66	7.01	8.58	10.39	-				
					38	3.17	4.04	5.08	6.30	7.73	9.38	-				
					43	2.84	3.63	4.57	5.69	6.99	8.50	-				
OP-LPOM168LL	114X3486	P02	A1	E	27	5.50	6.95	8.66	10.64	12.91	15.49	-	-	1.83	32	48
					32	5.05	6.39	7.97	9.81	11.91	14.30	-				
					38	4.49	5.70	7.11	8.76	10.66	12.82	-				
					43	4.02	5.11	6.38	7.86	9.58	11.54	-				
OP-LPKM168LL	114X3406	P02	A1+A2L	E	27	5.50	6.95	8.66	10.64	12.91	15.49	-	-	1.87	32	47
					32	5.05	6.39	7.97	9.81	11.91	14.30	-				
					38	4.49	5.70	7.11	8.76	10.66	12.82	-				
					43	4.02	5.11	6.38	7.86	9.58	11.54	-				

LBP
(1) G - Compressor 230V/1Ph/50Hz, fan 230V/1Ph/50Hz

E - Compressor 400V/3Ph/50Hz, fan 230V/1Ph/50Hz

(2) Nominal conditions (EN13215), Evaporating temperatures at Mid point, Superheat 10K, Subcooling 0K

(3) Rated conditions (EN13215), Evaporating temperature (Mid point) -35°C, Ambient air temperature +32°C, Return Gas Temperature 20°C, Subcooling 0K (NTZ comp models with 10K superheat)

 For regular updates and detailed capacities, please refer to **Coolselector®2** software


Model	Code	Version	Refrigerant group	Electrical code (1)	Tamb [°C]	Cooling capacity Q [kW] (2)							EcoDesign (3)		Min Fuse rating gL/gG (A)	Sound pressure level 10 m dB(A)
						Evaporating Temperature (Mid point) [°C]							COP	SEPR		
						-40°C	-35°C	-30°C	-25°C	-20°C	-15°C	-10°C				
OP-LPVM016DP	114X3110	P00	A1 + A2L	G	27	0.39	0.54	0.72	0.91	1.12	1.36	-	1.08	-	6	31
					32	0.35	0.49	0.64	0.82	1.02	1.24	-				
					38	0.30	0.42	0.56	0.72	0.90	1.09	-				
					43	-	0.36	0.49	0.63	0.79	0.98	-				
OP-LPQM017DP	114X3118	P00	A1	G	27	0.39	0.54	0.72	0.91	1.12	1.36	-	1.08	-	6	31
					32	0.35	0.49	0.64	0.82	1.02	1.24	-				
					38	0.30	0.42	0.56	0.72	0.90	1.09	-				
					43	-	0.36	0.49	0.63	0.79	0.98	-				
OP-LPVM026DS	114X3201	P00	A1 + A2L	G	27	0.48	0.70	0.95	1.22	1.53	1.86	-	0.97	-	10	38
					32	0.44	0.64	0.87	1.12	1.41	1.72	-				
					38	0.39	0.56	0.77	1.00	1.26	1.56	-				
					43	-	0.50	0.69	0.90	1.14	1.42	-				
OP-LPVM034DS	114X3202	P00	A1 + A2L	G	27	0.67	0.97	1.30	1.68	2.10	2.55	-	1.03	-	10	39
					32	0.61	0.88	1.19	1.54	1.93	2.35	-				
					38	0.54	0.77	1.05	1.37	1.73	2.12	-				
					43	-	0.69	0.94	1.23	1.56	1.93	-				
OP-LPQM048NT	114X3225	P00	A1	G	27	0.79	1.15	1.59	2.11	2.71	3.39	-	1.02	-	12	39
					32	0.67	1.00	1.40	1.88	2.43	3.05	-				
					38	0.51	0.81	1.18	1.60	2.09	2.65	-				
					43	0.39	0.66	0.99	1.37	1.81	-	-				
OP-LPVM048NT	114X3204	P00	A1+A2L	G	27	0.79	1.15	1.59	2.11	2.71	3.39	-	1.02	-	12	39
					32	0.67	1.00	1.40	1.88	2.43	3.05	-				
					38	0.51	0.81	1.18	1.60	2.09	2.65	-				
					43	0.39	0.66	0.99	1.37	1.81	-	-				
OP-LPQM048NT	114X3233	P00	A1	E	27	0.80	1.16	1.60	2.10	2.68	3.32	-	1.14	-	6	39
					32	0.68	1.02	1.41	1.88	2.40	2.99	-				
					38	0.55	0.85	1.20	1.61	2.07	2.60	-				
					43	0.44	0.71	1.02	1.38	1.80	-	-				
OP-LPVM048NT	114X3205	P00	A1+A2L	E	27	0.80	1.16	1.60	2.10	2.68	3.32	-	1.14	-	6	39
					32	0.68	1.02	1.41	1.88	2.40	2.99	-				
					38	0.55	0.85	1.20	1.61	2.07	2.60	-				
					43	0.44	0.71	1.02	1.38	1.80	-	-				
OP-LPQM068NT	114X3241	P00	A1	G	27	1.36	1.82	2.37	3.02	3.76	4.59	-	1.07	-	20	40
					32	1.21	1.63	2.13	2.72	3.39	4.13	-				
					38	1.04	1.41	1.85	2.36	2.94	3.59	-				
					43	0.89	1.23	1.62	2.07	2.58	-	-				
OP-LPVM068NT	114X3206	P00	A1	G	27	1.36	1.82	2.37	3.02	3.76	4.59	-	-	-	25	39
					32	1.21	1.63	2.13	2.72	3.39	4.13	-				
					38	1.04	1.41	1.85	2.36	2.94	3.59	-				
					43	0.89	1.23	1.62	2.07	2.58	-	-				
OP-LPQM068NT	114X3249	P00	A1	E	27	1.38	1.88	2.47	3.13	3.88	4.70	-	1.16	-	10	40
					32	1.19	1.65	2.18	2.79	3.48	4.23	-				
					38	0.99	1.39	1.87	2.40	3.01	3.68	-				
					43	0.83	1.20	1.62	2.10	2.64	-	-				
OP-LPVM068NT	114X3207	P00	A1+A2L	E	27	1.38	1.88	2.47	3.13	3.88	4.70	-	1.16	-	10	40
					32	1.19	1.65	2.18	2.79	3.48	4.23	-				
					38	0.99	1.39	1.87	2.40	3.01	3.68	-				
					43	0.83	1.20	1.62	2.10	2.64	-	-				

This table continues on the next page

LBP

(1) G - Compressor 230V/1Ph/50Hz, fan 230V/1Ph/50Hz

E - Compressor 400V/3Ph/50Hz, fan 230V/1Ph/50Hz

(2) Nominal conditions (EN13215), Evaporating temperatures at Mid point, Superheat 10K, Subcooling 0K

(3) Rated conditions (EN13215), Evaporating temperature (Mid point) -35°C, Ambient air temperature +32°C, Return Gas Temperature 20°C, Subcooling 0K (NTZ comp models with 10K superheat)



For regular updates and detailed capacities, please refer to **Coolselector®2** software



Model	Code	Version	Refrigerant group	Electrical code (1)	Tamb [°C]	Cooling capacity Q [kW] (2)							EcoDesign (3)		Min Fuse rating gL/gG (A)	Sound pressure level 10 m dB(A)
						Evaporating Temperature (Mid point) [°C]							COP	SEPR		
						-40°C	-35°C	-30°C	-25°C	-20°C	-15°C	-10°C				
OP-LPQM096NT	114X3357	P00	A1	E	27	1.48	2.02	2.65	3.37	4.17	5.04	-	1.02	-	20	44
					32	1.26	1.75	2.33	2.98	3.70	4.48	-				
					38	1.00	1.42	1.93	2.51	3.14	3.81	-				
					43	0.79	1.16	1.61	2.12	2.68	-	-				
OP-LPOM067LL	114X3371	P02	A1	E	27	2.23	2.85	3.58	4.43	5.40	6.52	-	-	1.69	16	41
					32	2.04	2.62	3.30	4.09	5.00	6.03	-				
					38	1.81	2.34	2.96	3.67	4.49	5.43	-				
					43	1.60	2.09	2.65	3.30	4.04	4.89	-				
OP-LPKM067LL	114X3304	P02	A1+A2L	E	27	2.23	2.85	3.58	4.43	5.40	6.52	-	-	1.73	16	43
					32	2.04	2.62	3.30	4.09	5.00	6.03	-				
					38	1.81	2.34	2.96	3.67	4.49	5.43	-				
					43	1.60	2.09	2.65	3.30	4.04	4.89	-				
OP-LPOM084LL	114X3372	P02	A1	E	27	2.68	3.40	4.28	5.30	6.49	7.85	-	-	1.71	20	43
					32	2.46	3.14	3.94	4.88	5.98	7.22	-				
					38	2.19	2.80	3.52	4.36	5.33	6.45	-				
					43	1.95	2.50	3.15	3.91	4.78	5.78	-				
OP-LPKM084LL	114X3305	P02	A1+A2L	E	27	2.68	3.40	4.28	5.30	6.49	7.85	-	-	1.74	20	43
					32	2.46	3.14	3.94	4.88	5.98	7.22	-				
					38	2.19	2.80	3.52	4.36	5.33	6.45	-				
					43	1.95	2.50	3.15	3.91	4.78	5.78	-				
OP-LPOM098LL	114X3373	P02	A1	E	27	3.12	3.95	4.95	6.12	7.47	9.00	-	-	1.75	20	43
					32	2.86	3.64	4.56	5.63	6.87	8.27	-				
					38	2.54	3.24	4.06	5.02	6.12	7.36	-				
					43	2.26	2.89	3.63	4.48	5.47	6.58	-				
OP-LPKM098LL	114X3306	P02	A1+A2L	E	27	3.12	3.95	4.95	6.12	7.47	9.00	-	-	1.79	20	43
					32	2.86	3.64	4.56	5.63	6.87	8.27	-				
					38	2.54	3.24	4.06	5.02	6.12	7.36	-				
					43	2.26	2.89	3.63	4.48	5.47	6.58	-				
OP-LPOM120LL	114X3485	P02	A1	E	27	3.90	4.93	6.14	7.55	9.16	10.95	-	-	1.65	25	50
					32	3.57	4.52	5.64	6.92	8.39	10.02	-				
					38	3.15	4.01	5.00	6.14	7.43	8.87	-				
					43	2.79	3.56	4.44	5.46	6.60	7.88	-				
OP-LPKM120LL	114X3405	P02	A1+A2L	E	27	3.90	4.93	6.14	7.55	9.16	10.95	-	-	1.70	25	47
					32	3.57	4.52	5.64	6.92	8.39	10.02	-				
					38	3.15	4.01	5.00	6.14	7.43	8.87	-				
					43	2.79	3.56	4.44	5.46	6.60	7.88	-				
OP-LPOM168LL	114X3486	P02	A1	E	27	5.20	6.48	7.96	9.62	11.47	13.50	-	-	1.68	32	48
					32	4.70	5.88	7.22	8.72	10.37	12.19	-				
					38	4.04	5.09	6.26	7.56	8.99	10.55	-				
					43	3.44	4.38	5.40	6.53	7.77	9.11	-				
OP-LPKM168LL	114X3406	P02	A1+A2L	E	27	5.20	6.48	7.96	9.62	11.47	13.50	-	-	1.72	32	47
					32	4.70	5.88	7.22	8.72	10.37	12.19	-				
					38	4.04	5.09	6.26	7.56	8.99	10.55	-				
					43	3.44	4.38	5.40	6.53	7.77	9.11	-				

LBP
(1) G - Compressor 230V/1Ph/50Hz, fan 230V/1Ph/50Hz
E - Compressor 400V/3Ph/50Hz, fan 230V/1Ph/50Hz
(2) Nominal conditions (EN13215), Evaporating temperatures at Mid point, Superheat 10K, Subcooling 0K
(3) Rated conditions (EN13215), Evaporating temperature (Mid point) -35°C, Ambient air temperature +32°C, Return Gas Temperature 20°C, Subcooling 0K (NTZ comp models with 10K superheat)



For regular updates and detailed capacities, please refer to **Coolselector®2** software



Model	Code	Version	Refrigerant group	Electrical code (1)	Tamb [°C]	Cooling capacity Q [kW] (2)							EcoDesign (3)		Min Fuse rating gL/gG (A)	Sound pressure level 10 m dB(A)
						Evaporating Temperature (Mid point) [°C]							COP	SEPR		
						-40°C	-35°C	-30°C	-25°C	-20°C	-15°C	-10°C				
OP-LPOM067LL	114X3371	P02	A1	E	27	2.13	2.79	3.57	4.48	5.52	6.68	-	-	1.62	16	43
					32	2.01	2.61	3.33	4.18	5.14	6.22	-				
					38	1.86	2.40	3.05	3.81	4.68	5.67	-				
					43	1.76	2.23	2.81	3.50	4.29	5.19	-				
OP-LPKM067LL	114X3304	P02	A1+A2L	E	27	2.13	2.79	3.57	4.48	5.52	6.68	-	-	1.66	16	43
					32	2.01	2.61	3.33	4.18	5.14	6.22	-				
					38	1.86	2.40	3.05	3.81	4.68	5.67	-				
					43	1.76	2.23	2.81	3.50	4.29	5.19	-				
OP-LPOM084LL	114X3372	P02	A1	E	27	2.67	3.51	4.49	5.63	6.91	8.33	-	-	1.66	20	43
					32	2.50	3.29	4.21	5.26	6.45	7.78	-				
					38	2.30	3.02	3.86	4.82	5.90	7.12	-				
					43	2.14	2.80	3.57	4.44	5.44	6.55	-				
OP-LPKM084LL	114X3305	P02	A1+A2L	E	27	2.67	3.51	4.49	5.63	6.91	8.33	-	-	1.70	20	43
					32	2.50	3.29	4.21	5.26	6.45	7.78	-				
					38	2.30	3.02	3.86	4.82	5.90	7.12	-				
					43	2.14	2.80	3.57	4.44	5.44	6.55	-				
OP-LPOM098LL	114X3373	P02	A1	E	27	3.09	3.86	4.78	5.84	7.07	8.45	-	-	1.64	20	43
					32	2.92	3.63	4.48	5.47	6.60	7.88	-				
					38	2.71	3.35	4.11	5.00	6.02	7.17	-				
					43	2.52	3.10	3.79	4.59	5.51	6.56	-				
OP-LPKM098LL	114X3306	P02	A1+A2L	E	27	3.09	3.86	4.78	5.84	7.07	8.45	-	-	1.68	20	43
					32	2.92	3.63	4.48	5.47	6.60	7.88	-				
					38	2.71	3.35	4.11	5.00	6.02	7.17	-				
					43	2.52	3.10	3.79	4.59	5.51	6.56	-				
OP-LPOM120LL	114X3485	P02	A1	E	27	3.96	5.06	6.36	7.89	9.65	11.65	-	-	1.67	25	50
					32	3.72	4.74	5.95	7.37	9.00	10.85	-				
					38	3.40	4.34	5.44	6.72	8.20	9.87	-				
					43	3.13	3.99	5.00	6.17	7.51	9.03	-				
OP-LPKM120LL	114X3405	P02	A1+A2L	E	27	3.96	5.06	6.36	7.89	9.65	11.65	-	-	1.73	25	47
					32	3.72	4.74	5.95	7.37	9.00	10.85	-				
					38	3.40	4.34	5.44	6.72	8.20	9.87	-				
					43	3.13	3.99	5.00	6.17	7.51	9.03	-				
OP-LPOM168LL	114X3486	P02	A1	E	27	5.27	6.69	8.38	10.35	12.59	15.11	-	-	1.65	32	48
					32	4.95	6.27	7.83	9.65	11.73	14.07	-				
					38	4.55	5.75	7.15	8.79	10.67	12.78	-				
					43	4.22	5.30	6.57	8.05	9.76	11.68	-				
OP-LPKM168LL	114X3406	P02	A1+A2L	E	27	5.27	6.69	8.38	10.35	12.59	15.11	-	-	1.68	32	47
					32	4.95	6.27	7.83	9.65	11.73	14.07	-				
					38	4.55	5.75	7.15	8.79	10.67	12.78	-				
					43	4.22	5.30	6.57	8.05	9.76	11.68	-				

LBP

(1) **G** - Compressor 230V/1Ph/50Hz, fan 230V/1Ph/50Hz
E - Compressor 400V/3Ph/50Hz, fan 230V/1Ph/50Hz

(2) Nominal conditions (EN13215), Evaporating temperatures at Mid point, Superheat 10K, Subcooling 0K

(3) Rated conditions (EN13215), Evaporating temperature (Mid point) -35°C, Ambient air temperature +32°C, Return Gas Temperature 20°C, Subcooling 0K (NTZ comp models with 10K superheat)

Model	Code	Version	Refrigerant group	Electrical code (1)	T _{amb} [°C]	Cooling capacity Q [kW] (2)							EcoDesign (3)		Min Fuse rating gL/gG (A)	Sound pressure level 10 m dB(A)
						Evaporating Temperature (Mid point) [°C]							COP	SEPR		
						-40°C	-35°C	-30°C	-25°C	-20°C	-15°C	-10°C				
OP-LPOM067LL	114X3371	P02	A1	E	27	2.09	2.74	3.52	4.42	5.45	6.60	-	-	1.60	16	43
					32	1.97	2.57	3.28	4.12	5.08	6.16	-				
					38	1.83	2.36	3.00	3.76	4.62	5.61	-				
					43	1.73	2.20	2.77	3.45	4.24	5.14	-				
OP-LPKM067LL	114X3304	P02	A1+A2L	E	27	2.09	2.74	3.52	4.42	5.45	6.60	-	-	1.65	16	43
					32	1.97	2.57	3.28	4.12	5.08	6.16	-				
					38	1.83	2.36	3.00	3.76	4.62	5.61	-				
					43	1.73	2.20	2.77	3.45	4.24	5.14	-				
OP-LPOM084LL	114X3372	P02	A1	E	27	2.62	3.45	4.43	5.55	6.82	8.24	-	-	1.64	20	43
					32	2.45	3.23	4.14	5.19	6.38	7.70	-				
					38	2.25	2.97	3.80	4.75	5.83	7.04	-				
					43	2.10	2.75	3.51	4.39	5.37	6.48	-				
OP-LPKM084LL	114X3305	P02	A1+A2L	E	27	2.62	3.45	4.43	5.55	6.82	8.24	-	-	1.68	20	43
					32	2.45	3.23	4.14	5.19	6.38	7.70	-				
					38	2.25	2.97	3.80	4.75	5.83	7.04	-				
					43	2.10	2.75	3.51	4.39	5.37	6.48	-				
OP-LPOM098LL	114X3373	P02	A1	E	27	3.05	3.80	4.71	5.77	6.99	8.36	-	-	1.63	20	43
					32	2.88	3.58	4.42	5.40	6.53	7.80	-				
					38	2.67	3.30	4.05	4.93	5.95	7.10	-				
					43	2.48	3.06	3.74	4.53	5.45	6.49	-				
OP-LPKM098LL	114X3306	P02	A1+A2L	E	27	3.05	3.80	4.71	5.77	6.99	8.36	-	-	1.66	20	43
					32	2.88	3.58	4.42	5.40	6.53	7.80	-				
					38	2.67	3.30	4.05	4.93	5.95	7.10	-				
					43	2.48	3.06	3.74	4.53	5.45	6.49	-				
OP-LPOM120LL	114X3485	P02	A1	E	27	3.90	4.98	6.27	7.79	9.53	11.52	-	-	1.66	25	50
					32	3.65	4.67	5.87	7.27	8.89	10.73	-				
					38	3.35	4.27	5.36	6.64	8.10	9.76	-				
					43	3.07	3.93	4.93	6.09	7.42	8.94	-				
OP-LPKM120LL	114X3405	P02	A1+A2L	E	27	3.90	4.98	6.27	7.79	9.53	11.52	-	-	1.71	25	47
					32	3.65	4.67	5.87	7.27	8.89	10.73	-				
					38	3.35	4.27	5.36	6.64	8.10	9.76	-				
					43	3.07	3.93	4.93	6.09	7.42	8.94	-				
OP-LPOM168LL	114X3486	P02	A1	E	27	5.18	6.59	8.26	10.21	12.44	14.95	-	-	1.63	32	48
					32	4.86	6.17	7.72	9.53	11.59	13.92	-				
					38	4.48	5.66	7.06	8.68	10.55	12.65	-				
					43	4.15	5.22	6.48	7.95	9.65	11.56	-				
OP-LPKM168LL	114X3406	P02	A1+A2L	E	27	5.18	6.59	8.26	10.21	12.44	14.95	-	-	1.67	32	47
					32	4.86	6.17	7.72	9.53	11.59	13.92	-				
					38	4.48	5.66	7.06	8.68	10.55	12.65	-				
					43	4.15	5.22	6.48	7.95	9.65	11.56	-				

LBP

(1) G - Compressor 230V/1Ph/50Hz, fan 230V/1Ph/50Hz

E - Compressor 400V/3Ph/50Hz, fan 230V/1Ph/50Hz

(2) Nominal conditions (EN13215), Evaporating temperatures at Mid point, Superheat 10K, Subcooling 0K

(3) Rated conditions (EN13215), Evaporating temperature (Mid point) -35°C, Ambient air temperature +32°C, Return Gas Temperature 20°C, Subcooling 0K (NTZ comp models with 10K superheat)



For regular updates and detailed capacities, please refer to **Coolselector®2** software



Model	Code	Version	Refrigerant group	Electrical code (1)	Tamb [°C]	Cooling capacity Q [kW] (2)							EcoDesign (3)		Min Fuse rating gL/gG (A)	Sound pressure level @ 10m dB(A)
						Evaporating Temperature (Mid point) [°C]							COP	SEPR		
						-40°C	-35°C	-30°C	-25°C	-20°C	-15°C	-10°C				
OP-LPVM016DP	114X3110	P00	A1 + A2L	G	27	-	0.48	0.62	0.78	0.95	1.14	-	0.90	-	6	31
					32	-	0.36	0.56	0.70	0.86	1.04	-				
					38	-	0.36	0.47	0.61	0.75	0.92	-				
					43	-	-	0.41	0.53	0.67	0.82	-				
OP-LPVM026DS	114X3201	P00	A1 + A2L	G	27	-	0.64	0.87	1.13	1.42	1.74	-	0.93	-	10	38
					32	-	0.51	0.79	1.04	1.31	1.61	-				
					38	-	0.51	0.70	0.92	1.17	1.46	-				
					43	-	-	0.62	0.83	1.06	1.33	-				
OP-LPVM048NT	114X3204	P00	A1 + A2L	G	27	-	1.06	1.47	1.96	2.52	3.14	-	0.98	-	12	39
					32	-	0.78	1.31	1.75	2.26	2.83	-				
					38	-	0.78	1.11	1.50	1.95	2.46	-				
					43	-	-	0.95	1.30	1.70	2.16	-				
OP-LPVM034DS	114X3202	P00	A1 + A2L	G	27	-	0.99	1.34	1.73	2.16	2.62	-	0.98	-	10	39
					32	-	0.79	1.22	1.58	1.98	2.43	-				
					38	-	0.79	1.07	1.41	1.78	2.19	-				
					43	-	-	0.96	1.26	1.61	2.00	-				
OP-LPVM048NT	114X3205	P00	A1 + A2L	E	27	-	1.05	1.45	1.92	2.47	3.09	-	0.99	-	6	39
					32	-	0.79	1.29	1.72	2.22	2.79	-				
					38	-	0.79	1.10	1.48	1.92	2.42	-				
					43	-	-	0.95	1.29	1.68	2.13	-				
OP-LPVM068NT	114X3207	P00	A1 + A2L	E	27	-	1.61	2.09	2.63	3.21	3.81	-	0.98	-	10	40
					32	-	1.45	1.90	2.39	2.92	3.46	-				
					38	-	-	1.66	2.10	2.56	3.03	-				
					43	-	-	-	1.85	2.26	2.67	-				
OP-LPKM067LL	114X3304	P02	A1+A2L	E	27	-	2.74	3.43	4.22	5.12	6.12	-	-	1.74	16	43
					32	-	2.31	3.18	3.92	4.75	5.67	-				
					38	-	2.31	2.89	3.55	4.30	5.14	-				
					43	-	2.11	2.64	3.24	3.92	4.68	-				
OP-LPKM084LL	114X3305	P02	A1+A2L	E	27	-	3.29	4.09	5.00	6.02	7.14	-	-	1.70	20	43
					32	-	2.76	3.79	4.63	5.56	6.60	-				
					38	-	2.76	3.42	4.17	5.01	5.94	-				
					43	-	2.52	3.11	3.78	4.54	5.38	-				
OP-LPKM098LL	114X3306	P02	A1+A2L	E	27	-	3.89	4.84	5.92	7.11	8.41	-	-	1.58	20	43
					32	-	3.21	4.49	5.49	6.59	7.79	-				
					38	-	3.21	4.03	4.94	5.93	7.01	-				
					43	-	2.86	3.61	4.44	5.35	6.32	-				
OP-LPKM120LL	114X3405	P02	A1+A2L	E	27	-	4.74	5.88	7.18	8.62	10.20	-	-	1.70	25	47
					32	-	4.40	5.45	6.64	7.96	9.40	-				
					38	-	3.97	4.91	5.96	7.13	8.41	-				
					43	-	3.59	4.43	5.37	6.42	7.55	-				
OP-LPKM168LL	114X3406	P02	A1+A2L	E	27	-	6.41	7.86	9.53	11.40	13.46	-	-	1.73	32	47
					32	-	5.90	7.21	8.72	10.41	12.28	-				
					38	-	5.29	6.41	7.73	9.21	10.85	-				
					43	-	4.79	5.76	6.90	8.20	9.63	-				

LBP

(1) **G** - Compressor 230V/1Ph/50Hz, fan 230V/1Ph/50Hz

E - Compressor 400V/3Ph/50Hz, fan 230V/1Ph/50Hz

(2) Nominal conditions (EN13215), Evaporating temperatures at Mid point, Superheat 10K, Subcooling 0K

(3) Rated conditions (EN13215), Evaporating temperature (Mid point) -35°C, Ambient air temperature +32°C, Return Gas Temperature 20°C, Subcooling 0K (NTZ comp models with 10K superheat)



For regular updates and detailed capacities, please refer to **Coolselector®2** software



Model	Code	Version	Refrigerant group	Electrical code (1)	Tamb [°C]	Cooling capacity Q [kW] (2)							EcoDesign (3)		Min Fuse rating gL/gG (A)	Sound pressure level @ 10m dB(A)
						Evaporating Temperature (Mid point) [°C]							COP	SEPR		
						-40°C	-35°C	-30°C	-25°C	-20°C	-15°C	-10°C				
OP-LPVM016DP	114X3110	P00	A1 + A2L	G	27	-	0.40	0.54	0.70	0.87	1.05	-	0.87	-	6	31
					32	-	0.35	0.48	0.62	0.78	0.96	-				
					38	-	0.30	0.41	0.54	0.69	0.85	-				
					43	-	-	0.35	0.47	0.61	0.76	-				
OP-LPVM026DS	114X3201	P00	A1 + A2L	G	27	-	0.57	0.78	1.02	1.29	1.59	-	0.87	-	10	38
					32	-	0.52	0.71	0.93	1.19	1.47	-				
					38	-	0.45	0.63	0.83	1.07	1.33	-				
					43	-	-	0.56	0.75	0.97	1.22	-				
OP-LPVM034DS	114X3202	P00	A1 + A2L	G	27	-	0.91	1.24	1.62	2.03	2.49	-	0.96	-	10	39
					32	-	0.83	1.13	1.48	1.87	2.31	-				
					38	-	0.73	1.00	1.32	1.68	2.08	-				
					43	-	-	0.89	1.18	1.52	1.90	-				
OP-LPVM048NT	114X3205	P00	A1 + A2L	E	27	-	0.86	1.19	1.58	2.03	2.54	-	0.90	-	6	39
					32	-	0.76	1.06	1.41	1.82	2.29	-				
					38	-	0.65	0.91	1.22	1.58	2.00	-				
					43	-	-	0.79	1.07	1.39	1.76	-				
OP-LPVM048NT	114X3204	P00	A1 + A2L	G	27	-	1.00	1.39	1.87	2.45	3.14	-	1.00	-	12	39
					32	-	0.88	1.24	1.67	2.20	2.83	-				
					38	-	0.74	1.06	1.45	1.92	2.48	-				
					43	-	-	0.92	1.27	1.70	2.20	-				
OP-LPVM068NT	114X3207	P00	A1 + A2L	E	27	-	1.37	1.84	2.38	3.00	3.68	-	0.89	-	10	40
					32	-	1.22	1.66	2.15	2.71	3.34	-				
					38	-	-	1.43	1.88	2.37	2.92	-				
					43	-	-	1.24	1.64	2.09	2.58	-				
OP-LPKM067LL	114X3304	P02	A1+A2L	E	27	-	2.39	3.03	3.76	4.61	5.55	-	-	1.71	16	43
					32	-	2.23	2.82	3.50	4.28	5.16	-				
					38	-	2.03	2.57	3.18	3.89	4.69	-				
					43	-	1.87	2.35	2.92	3.56	4.30	-				
OP-LPKM084LL	114X3305	P02	A1+A2L	E	27	-	2.97	3.71	4.56	5.53	6.60	-	-	1.67	20	43
					32	-	2.76	3.45	4.23	5.12	6.12	-				
					38	-	2.51	3.12	3.83	4.63	5.52	-				
					43	-	2.29	2.84	3.48	4.20	5.02	-				
OP-LPKM098LL	114X3306	P02	A1+A2L	E	27	-	3.39	4.25	5.23	6.34	7.57	-	-	1.63	20	43
					32	-	3.16	3.96	4.88	5.91	7.05	-				
					38	-	2.87	3.60	4.43	5.37	6.41	-				
					43	-	2.61	3.28	4.04	4.90	5.85	-				
OP-LPKM120LL	114X3405	P02	A1+A2L	E	27	-	3.99	4.81	5.79	7.01	8.51	-	-	1.66	25	47
					32	-	3.89	4.66	5.54	6.61	7.93	-				
					38	-	3.72	4.44	5.20	6.09	7.19	-				
					43	-	3.52	4.20	4.86	5.62	6.55	-				
OP-LPKM168LL	114X3406	P02	A1+A2L	E	27	-	5.41	6.68	8.15	9.83	11.71	-	-	1.68	32	47
					32	-	5.01	6.18	7.54	9.08	10.82	-				
					38	-	4.50	5.56	6.77	8.15	9.69	-				
					43	-	4.05	5.00	6.09	7.32	8.70	-				

LBP

(1) **G** - Compressor 230V/1Ph/50Hz, fan 230V/1Ph/50Hz

E - Compressor 400V/3Ph/50Hz, fan 230V/1Ph/50Hz

(2) Nominal conditions (EN13215), Evaporating temperatures at Mid point, Superheat 10K, Subcooling 0K

(3) Rated conditions (EN13215), Evaporating temperature (Mid point) -35°C, Ambient air temperature +32°C, Return Gas Temperature 20°C, Subcooling 0K (NTZ comp models with 10K superheat)



For regular updates and detailed capacities, please refer to **Coolselector®2** software



Model	Code	Version	Refrigerant group	Electrical code (1)	T _{amb} [°C]	Cooling capacity Q [kW] (2)						EcoDesign (3)		Min Fuse rating gL/gG (A)	Sound pressure level 10 m dB(A)
						Evaporating Temperature (Mid point) [°C]						COP	SEPR		
						-15°C	-10°C	-5°C	0°C	5°C	10°C				
OP-MPSM026CS	114X4243	P00	A1 + A2L	G	27	1.22	1.58	1.97	2.39	2.85	3.33	1.98	-	10	37
					32	1.11	1.44	1.81	2.21	2.65	3.11				
					38	0.97	1.28	1.62	2.00	2.41	2.85				
					43	0.85	1.14	1.46	1.82	2.21	2.63				
OP-MPSM030CS	114X4244	P00	A1 + A2L	G	27	1.34	1.75	2.20	2.69	3.23	3.82	1.86	-	10	37
					32	1.22	1.60	2.03	2.50	3.02	3.59				
					38	1.06	1.42	1.82	2.27	2.77	3.32				
					43	0.94	1.27	1.65	2.08	2.56	3.09				
OP-MPXM034ML	114X4264	P00	A1	E	27	1.82	2.29	2.83	3.47	4.19	5.00	2.25	-	10	38
					32	1.72	2.16	2.69	3.29	3.98	4.76				
					38	1.60	2.01	2.50	3.07	3.72	4.46				
					43	1.50	1.89	2.35	2.88	3.50	4.21				
OP-MPIM034ML	114X4204	P00	A1+A2L	E	27	1.82	2.29	2.83	3.47	4.19	5.00	2.25	-	10	38
					32	1.72	2.16	2.69	3.29	3.98	4.76				
					38	1.60	2.01	2.50	3.07	3.72	4.46				
					43	1.50	1.89	2.35	2.88	3.50	4.21				
OP-MPXM034ML	114X4261	P00	A1	G	27	1.82	2.32	2.88	3.51	4.22	5.00	2.17	-	20	38
					32	1.71	2.19	2.73	3.34	4.02	4.79				
					38	1.58	2.03	2.54	3.12	3.77	4.50				
					43	1.48	1.89	2.37	2.92	3.54	4.25				
OP-MPIM034ML	114X4205	P00	A1+A2L	G	27	1.82	2.32	2.88	3.51	4.22	5.00	2.17	-	20	38
					32	1.71	2.19	2.73	3.34	4.02	4.79				
					38	1.58	2.03	2.54	3.12	3.77	4.50				
					43	1.48	1.89	2.37	2.92	3.54	4.25				
OP-MPXM046ML	114X4284	P00	A1	E	27	2.48	3.09	3.82	4.66	5.62	6.69	2.33	-	12	38
					32	2.34	2.92	3.61	4.42	5.33	6.36				
					38	2.17	2.71	3.36	4.12	4.98	5.95				
					43	2.02	2.54	3.15	3.86	4.67	5.59				
OP-MPIM046ML	114X4206	P00	A1+A2L	E	27	2.48	3.09	3.82	4.66	5.62	6.69	2.33	-	12	38
					32	2.34	2.92	3.61	4.42	5.33	6.36				
					38	2.17	2.71	3.36	4.12	4.98	5.95				
					43	2.02	2.54	3.15	3.86	4.67	5.59				
OP-MPXM046ML	114X4281	P00	A1	G	27	2.47	3.11	3.85	4.69	5.63	6.67	2.07	-	32	38
					32	2.32	2.93	3.64	4.45	5.35	6.36				
					38	2.14	2.71	3.37	4.13	4.99	5.96				
					43	2.01	2.52	3.14	3.86	4.68	5.60				
OP-MPIM046ML	114X4207	P00	A1+A2L	G	27	2.47	3.11	3.85	4.69	5.63	6.67	2.07	-	32	38
					32	2.32	2.93	3.64	4.45	5.35	6.36				
					38	2.14	2.71	3.37	4.13	4.99	5.96				
					43	2.01	2.52	3.14	3.86	4.68	5.60				
OP-MPXM057ML	114X4293	P00	A1	E	27	2.99	3.75	4.63	5.63	6.76	8.02	2.28	-	12	39
					32	2.81	3.54	4.38	5.33	6.41	7.61				
					38	2.60	3.28	4.06	4.96	5.97	7.10				
					43	2.42	3.06	3.80	4.64	5.60	6.66				
OP-MPIM057ML	114X4208	P00	A1+A2L	E	27	2.99	3.75	4.63	5.63	6.76	8.02	2.28	-	12	39
					32	2.81	3.54	4.38	5.33	6.41	7.61				
					38	2.60	3.28	4.06	4.96	5.97	7.10				
					43	2.42	3.06	3.80	4.64	5.60	6.66				

This table continues on the next page

MBP

(1) **G** - Compressor 230V/1Ph/50Hz, fan 230V/1Ph/50Hz

E - Compressor 400V/3Ph/50Hz, fan 230V/1Ph/50Hz

(2) Nominal conditions (EN13215), Evaporating temperatures at Mid point, Superheat 10K, Subcooling 0K

(3) Rated conditions (EN13215), Evaporating temperature (Mid) -10°C, Ambient air temperature +32°C, Return Gas Temperature 20°C, Subcooling 0K



For regular updates and detailed capacities, please refer to **Coolselector®2** software



Model	Code	Version	Refrigerant group	Electrical code (1)	Tamb [°C]	Cooling capacity Q [kW] (2)						EcoDesign (3)		Min Fuse rating gL/gG (A)	Sound pressure level 10 m dB(A)
						Evaporating Temperature (Mid point) [°C]						COP	SEPR		
						-15°C	-10°C	-5°C	0°C	5°C	10°C				
OP-MPXM057ML	114X4290	P00	A1	G	27	2.98	3.76	4.65	5.65	6.76	7.99	1.90	-	32	39
					32	2.81	3.54	4.38	5.34	6.41	7.60				
					38	2.60	3.27	4.05	4.95	5.96	7.09				
					43	2.44	3.05	3.77	4.61	5.56	6.64				
OP-MPIM057ML	114X4209	P00	A1+A2L	G	27	2.98	3.76	4.65	5.65	6.76	7.99	1.90	-	32	39
					32	2.81	3.54	4.38	5.34	6.41	7.60				
					38	2.60	3.27	4.05	4.95	5.96	7.09				
					43	2.44	3.05	3.77	4.61	5.56	6.64				
OP-MPXM068ML	114X4311	P00	A1	E	27	3.69	4.63	5.74	7.02	8.47	10.10	2.41	-	16	42
					32	3.48	4.38	5.44	6.66	8.05	9.61				
					38	3.24	4.08	5.07	6.21	7.52	9.01				
					43	3.04	3.82	4.75	5.83	7.07	8.48				
OP-MPIM068ML	114X4306	P00	A1+A2L	E	27	3.69	4.63	5.74	7.02	8.47	10.10	2.47	-	16	42
					32	3.48	4.38	5.44	6.66	8.05	9.61				
					38	3.24	4.08	5.07	6.21	7.52	9.01				
					43	3.04	3.82	4.75	5.83	7.07	8.48				
OP-MPXM068ML	114X4308	P00	A1	G	27	3.79	4.66	5.75	7.04	8.47	10.03	2.11	-	40	42
					32	3.64	4.43	5.45	6.67	8.06	9.58				
					38	3.48	4.15	5.07	6.21	7.53	9.00				
					43	3.36	3.92	4.75	5.82	7.07	8.49				
OP-MPIM068ML	114X4307	P00	A1+A2L	G	27	3.79	4.66	5.75	7.04	8.47	10.03	2.16	-	40	42
					32	3.64	4.43	5.45	6.67	8.06	9.58				
					38	3.48	4.15	5.07	6.21	7.53	9.00				
					43	3.36	3.92	4.75	5.82	7.07	8.49				
OP-MPXM080ML	114X4324	P00	A1	E	27	4.28	5.39	6.67	8.13	9.78	11.63	-	3.50	20	42
					32	4.03	5.09	6.31	7.70	9.28	11.05				
					38	3.72	4.71	5.86	7.18	8.66	10.33				
					43	3.45	4.40	5.48	6.72	8.13	9.71				
OP-MPIM080ML	114X4309	P00	A1+A2L	E	27	4.28	5.39	6.67	8.13	9.78	11.63	-	3.61	20	42
					32	4.03	5.09	6.31	7.70	9.28	11.05				
					38	3.72	4.71	5.86	7.18	8.66	10.33				
					43	3.45	4.40	5.48	6.72	8.13	9.71				
OP-MPXM080ML	114X4321	P00	A1	G	27	4.25	5.47	6.79	8.23	9.82	11.58	-	3.08	45	42
					32	3.95	5.14	6.41	7.80	9.33	11.03				
					38	3.57	4.71	5.93	7.26	8.72	10.33				
					43	3.23	4.33	5.50	6.78	8.18	9.72				
OP-MPIM080ML	114X4312	P00	A1+A2L	G	27	4.25	5.47	6.79	8.23	9.82	11.58	-	3.17	45	42
					32	3.95	5.14	6.41	7.80	9.33	11.03				
					38	3.57	4.71	5.93	7.26	8.72	10.33				
					43	3.23	4.33	5.50	6.78	8.18	9.72				
OP-MPXM108ML	114X4344	P00	A1	E	27	5.64	7.05	8.71	10.60	12.72	15.06	-	3.80	20	43
					32	5.30	6.64	8.22	10.03	12.06	14.30				
					38	4.89	6.14	7.62	9.32	11.24	13.35				
					43	4.55	5.71	7.10	8.71	10.52	12.53				
OP-MPIM108ML	114X4314	P00	A1+A2L	E	27	5.64	7.05	8.71	10.60	12.72	15.06	-	3.90	20	43
					32	5.30	6.64	8.22	10.03	12.06	14.30				
					38	4.89	6.14	7.62	9.32	11.24	13.35				
					43	4.55	5.71	7.10	8.71	10.52	12.53				

This table continues on the next page

MBP

(1) **G** - Compressor 230V/1Ph/50Hz, fan 230V/1Ph/50Hz

E - Compressor 400V/3Ph/50Hz, fan 230V/1Ph/50Hz

(2) Nominal conditions (EN13215), Evaporating temperatures at Mid point, Superheat 10K, Subcooling 0K

(3) Rated conditions (EN13215), Evaporating temperature (Mid) -10°C, Ambient air temperature +32°C, Return Gas Temperature 20°C, Subcooling 0K



For regular updates and detailed capacities, please refer to **Coolselector®2** software



Model	Code	Version	Refrigerant group	Electrical code (1)	T _{amb} [°C]	Cooling capacity Q [kW] (2)						EcoDesign (3)		Min Fuse rating gL/gG (A)	Sound pressure level 10 m dB(A)
						Evaporating Temperature (Mid point) [°C]						COP	SEPR		
						-15°C	-10°C	-5°C	0°C	5°C	10°C				
OP-MPXM125ML	114X4414	P00	A1	E	27	6.78	8.48	10.42	12.63	15.11	17.86	-	3.40	32	46
					32	6.35	7.98	9.84	11.96	14.33	16.96				
					38	5.82	7.36	9.13	11.13	13.36	15.85				
					43	5.36	6.84	8.52	10.41	12.54	14.90				
OP-MPXM162ML	114X4434	P00	A1	E	27	8.70	10.88	13.39	16.23	19.42	22.94	-	3.46	32	46
					32	8.17	10.25	12.64	15.35	18.40	21.78				
					38	7.54	9.48	11.71	14.27	17.14	20.34				
					43	7.04	8.83	10.93	13.33	16.05	19.09				
OP-MPIM125ML	114X4409	P00	A1 + A2L	E	27	6.78	8.48	10.42	12.63	15.11	17.86	-	3.40	32	46
					32	6.35	7.98	9.84	11.96	14.33	16.96				
					38	5.82	7.36	9.13	11.13	13.36	15.85				
					43	5.36	6.84	8.52	10.41	12.54	14.90				
OP-MPIM162ML	114X4410	P00	A1 + A2L	E	27	8.70	10.88	13.39	16.23	19.42	22.94	-	3.46	40	46
					32	8.17	10.25	12.64	15.35	18.40	21.78				
					38	7.54	9.48	11.71	14.27	17.14	20.34				
					43	7.04	8.83	10.93	13.33	16.05	19.09				

MBP

(1) G - Compressor 230V/1Ph/50Hz, fan 230V/1Ph/50Hz

E - Compressor 400V/3Ph/50Hz, fan 230V/1Ph/50Hz

(2) Nominal conditions (EN13215), Evaporating temperatures at Mid point, Superheat 10K, Subcooling 0K

(3) Rated conditions (EN13215), Evaporating temperature (Mid) -10°C, Ambient air temperature +32°C, Return Gas Temperature 20°C, Subcooling 0K



For regular updates and detailed capacities, please refer to **Coolselector®2** software



Model	Code	Version	Refrigerant group	Electrical code (1)	T _{amb} [°C]	Cooling capacity Q [kW] (2)						EcoDesign (3)		Min Fuse rating gL/gG (A)	Sound pressure level 10 m dB(A)
						Evaporating Temperature (Mid point) [°C]						COP	SEPR		
						-15°C	-10°C	-5°C	0°C	5°C	10°C				
OP-MPSM026CS	114X4243	P00	A1 + A2L	G	27	1.10	1.41	1.77	2.16	2.58	3.04	1.99	-	10	37
					32	0.99	1.29	1.63	2.00	2.41	2.86				
					38	0.86	1.14	1.46	1.81	2.20	2.64				
					43	0.76	1.02	1.32	1.66	2.03	2.45				
OP-MPSM030CS	114X4244	P00	A1 + A2L	G	27	1.33	1.74	2.19	2.70	3.25	3.86	1.86	-	10	37
					32	1.20	1.59	2.02	2.50	3.04	3.62				
					38	1.05	1.41	1.81	2.27	2.78	3.35				
					43	0.92	1.26	1.64	2.08	2.57	3.11				
OP-MPXM034ML	114X4261	P00	A1	G	27	1.92	2.38	2.93	3.57	4.32	5.18	2.20	-	20	38
					32	1.80	2.24	2.76	3.37	4.07	4.88				
					38	1.66	2.07	2.55	3.11	3.77	4.53				
					43	1.53	1.92	2.37	2.90	3.51	4.22				
OP-MPIM034ML	114X4205	P00	A1+A2L	G	27	1.92	2.38	2.93	3.57	4.32	5.18	2.20	-	20	38
					32	1.80	2.24	2.76	3.37	4.07	4.88				
					38	1.66	2.07	2.55	3.11	3.77	4.53				
					43	1.53	1.92	2.37	2.90	3.51	4.22				
OP-MPXM034ML	114X4264	P00	A1	E	27	1.94	2.40	2.95	3.60	4.34	5.19	2.26	-	10	38
					32	1.82	2.26	2.78	3.39	4.09	4.90				
					38	1.67	2.08	2.56	3.13	3.79	4.54				
					43	1.54	1.92	2.38	2.91	3.53	4.24				
OP-MPIM034ML	114X4204	P00	A1+A2L	E	27	1.94	2.40	2.95	3.60	4.34	5.19	2.26	-	10	38
					32	1.82	2.26	2.78	3.39	4.09	4.90				
					38	1.67	2.08	2.56	3.13	3.79	4.54				
					43	1.54	1.92	2.38	2.91	3.53	4.24				
OP-MPXM046ML	114X4281	P00	A1	G	27	2.56	3.17	3.89	4.72	5.68	6.75	1.99	-	32	38
					32	2.39	2.98	3.67	4.46	5.36	6.39				
					38	2.19	2.75	3.39	4.13	4.98	5.94				
					43	2.02	2.54	3.15	3.84	4.64	5.54				
OP-MPIM046ML	114X4207	P00	A1+A2L	G	27	2.56	3.17	3.89	4.72	5.68	6.75	1.99	-	32	38
					32	2.39	2.98	3.67	4.46	5.36	6.39				
					38	2.19	2.75	3.39	4.13	4.98	5.94				
					43	2.02	2.54	3.15	3.84	4.64	5.54				
OP-MPXM046ML	114X4284	P00	A1	E	27	2.63	3.25	3.97	4.81	5.77	6.84	2.32	-	12	38
					32	2.45	3.04	3.73	4.53	5.44	6.46				
					38	2.23	2.79	3.44	4.18	5.03	5.99				
					43	2.04	2.57	3.18	3.88	4.68	5.59				
OP-MPIM046ML	114X4206	P00	A1+A2L	E	27	2.63	3.25	3.97	4.81	5.77	6.84	2.32	-	12	38
					32	2.45	3.04	3.73	4.53	5.44	6.46				
					38	2.23	2.79	3.44	4.18	5.03	5.99				
					43	2.04	2.57	3.18	3.88	4.68	5.59				
OP-MPXM057ML	114X4290	P00	A1	G	27	3.14	3.89	4.75	5.74	6.86	8.10	2.06	-	32	39
					32	2.94	3.65	4.47	5.41	6.47	7.65				
					38	2.69	3.36	4.12	5.00	5.98	7.08				
					43	2.47	3.10	3.82	4.64	5.56	6.60				
OP-MPIM057ML	114X4209	P00	A1+A2L	G	27	3.14	3.89	4.75	5.74	6.86	8.10	2.06	-	32	39
					32	2.94	3.65	4.47	5.41	6.47	7.65				
					38	2.69	3.36	4.12	5.00	5.98	7.08				
					43	2.47	3.10	3.82	4.64	5.56	6.60				

This table continues on the next page

MBP

 (1) **G** - Compressor 230V/1Ph/50Hz, fan 230V/1Ph/50Hz

E - Compressor 400V/3Ph/50Hz, fan 230V/1Ph/50Hz

(2) Nominal conditions (EN13215), Evaporating temperatures at Mid point, Superheat 10K, Subcooling 0K

(3) Rated conditions (EN13215), Evaporating temperature (Mid) -10°C, Ambient air temperature +32°C, Return Gas Temperature 20°C, Subcooling 0K


 For regular updates and detailed capacities, please refer to **Coolselector®2** software


Model	Code	Version	Refrigerant group	Electrical code (1)	Tamb [°C]	Cooling capacity Q [kW] (2)						EcoDesign (3)		Min Fuse rating gL/gG (A)	Sound pressure level 10 m dB(A)
						Evaporating Temperature (Mid point) [°C]						COP	SEPR		
						-15°C	-10°C	-5°C	0°C	5°C	10°C				
OP-MPXM057ML	114X4293	P00	A1	E	27	3.20	3.96	4.83	5.83	6.95	8.20	2.30	-	12	39
					32	2.97	3.70	4.53	5.48	6.55	7.74				
					38	2.69	3.37	4.16	5.05	6.05	7.17				
					43	2.44	3.09	3.83	4.67	5.62	6.67				
OP-MPIM057ML	114X4208	P00	A1+A2L	E	27	3.20	3.96	4.83	5.83	6.95	8.20	2.30	-	12	39
					32	2.97	3.70	4.53	5.48	6.55	7.74				
					38	2.69	3.37	4.16	5.05	6.05	7.17				
					43	2.44	3.09	3.83	4.67	5.62	6.67				
OP-MPXM068ML	114X4308	P00	A1	G	27	3.94	4.85	5.92	7.17	8.61	10.24	2.30	-	40	42
					32	3.68	4.55	5.58	6.77	8.14	9.69				
					38	3.37	4.19	5.14	6.26	7.54	9.01				
					43	3.10	3.87	4.77	5.82	7.03	8.41				
OP-MPIM068ML	114X4307	P00	A1+A2L	G	27	3.94	4.85	5.92	7.17	8.61	10.24	2.36	-	40	42
					32	3.68	4.55	5.58	6.77	8.14	9.69				
					38	3.37	4.19	5.14	6.26	7.54	9.01				
					43	3.10	3.87	4.77	5.82	7.03	8.41				
OP-MPXM068ML	114X4311	P00	A1	E	27	3.99	4.93	6.03	7.32	8.80	10.48	2.52	-	16	42
					32	3.75	4.64	5.69	6.92	8.32	9.92				
					38	3.44	4.28	5.26	6.41	7.73	9.22				
					43	3.18	3.97	4.89	5.97	7.21	8.62				
OP-MPIM068ML	114X4306	P00	A1+A2L	E	27	3.99	4.93	6.03	7.32	8.80	10.48	2.59	-	16	42
					32	3.75	4.64	5.69	6.92	8.32	9.92				
					38	3.44	4.28	5.26	6.41	7.73	9.22				
					43	3.18	3.97	4.89	5.97	7.21	8.62				
OP-MPXM080ML	114X4321	P00	A1	G	27	4.59	5.68	6.95	8.43	10.13	12.04	-	3.24	45	42
					32	4.31	5.34	6.56	7.96	9.57	11.38				
					38	3.95	4.93	6.06	7.37	8.87	10.57				
					43	3.65	4.56	5.63	6.86	8.27	9.87				
OP-MPIM080ML	114X4312	P00	A1+A2L	G	27	4.59	5.68	6.95	8.43	10.13	12.04	-	3.33	45	42
					32	4.31	5.34	6.56	7.96	9.57	11.38				
					38	3.95	4.93	6.06	7.37	8.87	10.57				
					43	3.65	4.56	5.63	6.86	8.27	9.87				
OP-MPXM080ML	114X4324	P00	A1	E	27	4.67	5.75	7.02	8.49	10.17	12.07	-	3.89	20	42
					32	4.37	5.40	6.61	8.00	9.60	11.40				
					38	4.00	4.97	6.09	7.39	8.88	10.57				
					43	3.69	4.59	5.65	6.87	8.27	9.86				
OP-MPIM080ML	114X4309	P00	A1+A2L	E	27	4.67	5.75	7.02	8.49	10.17	12.07	-	4.02	20	42
					32	4.37	5.40	6.61	8.00	9.60	11.40				
					38	4.00	4.97	6.09	7.39	8.88	10.57				
					43	3.69	4.59	5.65	6.87	8.27	9.86				
OP-MPXM108ML	114X4344	P00	A1	E	27	6.08	7.49	9.14	11.02	13.16	15.56	-	3.79	20	43
					32	5.65	7.00	8.57	10.36	12.39	14.67				
					38	5.13	6.40	7.86	9.54	11.44	13.57				
					43	4.68	5.88	7.25	8.83	10.61	12.63				
OP-MPIM108ML	114X4314	P00	A1+A2L	E	27	6.08	7.49	9.14	11.02	13.16	15.56	-	3.88	20	43
					32	5.65	7.00	8.57	10.36	12.39	14.67				
					38	5.13	6.40	7.86	9.54	11.44	13.57				
					43	4.68	5.88	7.25	8.83	10.61	12.63				

This table continues on the next page

MBP

(1) G - Compressor 230V/1Ph/50Hz, fan 230V/1Ph/50Hz

E - Compressor 400V/3Ph/50Hz, fan 230V/1Ph/50Hz

(2) Nominal conditions (EN13215), Evaporating temperatures at Mid point, Superheat 10K, Subcooling 0K

(3) Rated conditions (EN13215), Evaporating temperature (Mid) -10°C, Ambient air temperature +32°C, Return Gas Temperature 20°C, Subcooling 0K



For regular updates and detailed capacities, please refer to **Coolselector®2** software



Model	Code	Version	Refrigerant group	Electrical code (1)	Tamb [°C]	Cooling capacity Q [kW] (2)						EcoDesign (3)		Min Fuse rating gL/gG (A)	Sound pressure level 10 m dB(A)
						Evaporating Temperature (Mid point) [°C]						COP	SEPR		
						-15°C	-10°C	-5°C	0°C	5°C	10°C				
OP-MPXM125ML	114X4414	P00	A1	E	27	7.29	9.01	11.02	13.34	15.98	18.96	-	3.66	32	46
					32	6.81	8.45	10.37	12.57	15.09	17.92				
					38	6.21	7.76	9.55	11.61	13.97	16.63				
					43	5.70	7.16	8.84	10.78	13.00	15.51				
OP-MPXM162ML	114X4434	P00	A1	E	27	8.91	11.06	13.55	16.40	19.61	23.19	-	3.16	32	46
					32	8.28	10.32	12.68	15.38	18.42	21.82				
					38	7.50	9.42	11.62	14.13	16.96	20.13				
					43	6.85	8.65	10.71	13.06	15.71	18.69				
OP-MPIM125ML	114X4409	P00	A1 + A2L	E	27	7.29	9.01	11.02	13.34	15.98	18.96	-	3.66	32	46
					32	6.81	8.45	10.37	12.57	15.09	17.92				
					38	6.21	7.76	9.55	11.61	13.97	16.63				
					43	5.70	7.16	8.84	10.78	13.00	15.51				
OP-MPIM162ML	114X4410	P00	A1 + A2L	E	27	8.91	11.06	13.55	16.40	19.61	23.19	-	3.16	40	46
					32	8.28	10.32	12.68	15.38	18.42	21.82				
					38	7.50	9.42	11.62	14.13	16.96	20.13				
					43	6.85	8.65	10.71	13.06	15.71	18.69				

MBP
(1) G - Compressor 230V/1Ph/50Hz, fan 230V/1Ph/50Hz

E - Compressor 400V/3Ph/50Hz, fan 230V/1Ph/50Hz

(2) Nominal conditions (EN13215), Evaporating temperatures at Mid point, Superheat 10K, Subcooling 0K

(3) Rated conditions (EN13215), Evaporating temperature (Mid) -10°C, Ambient air temperature +32°C, Return Gas Temperature 20°C, Subcooling 0K

 For regular updates and detailed capacities, please refer to **Coolselector®2** software


Model	Code	Version	Refrigerant group	Electrical code (1)	T _{amb} [°C]	Cooling capacity Q [kW] (2)						EcoDesign (3)		Min Fuse rating gL/gG (A)	Sound pressure level @ 10m dB(A)
						Evaporating Temperature (Mid point) [°C]						COP	SEPR		
						-15°C	-10°C	-5°C	0°C	5°C	10°C				
OP-MPSM026CS	114X4243	P00	A1 + A2L	G	27	1.12	1.44	1.81	2.21	2.64	3.12	1.95	-	10	37
					32	1.01	1.31	1.66	2.04	2.46	2.92				
					38	0.87	1.16	1.48	1.85	2.25	2.69				
					43	0.76	1.03	1.34	1.68	2.07	2.50				
OP-MPSM030CS	114X4244	P00	A1 + A2L	G	27	1.19	1.55	1.97	2.43	2.94	3.49	1.83	-	10	37
					32	1.07	1.42	1.81	2.25	2.74	3.28				
					38	0.93	1.25	1.62	2.04	2.51	3.03				
					43	0.82	1.12	1.47	1.87	2.32	2.82				

MBP
(1) G - Compressor 230V/1Ph/50Hz, fan 230V/1Ph/50Hz

E - Compressor 400V/3Ph/50Hz, fan 230V/1Ph/50Hz

(2) Nominal conditions (EN13215), Evaporating temperatures at Mid point, Superheat 10K, Subcooling 0K

(3) Rated conditions (EN13215), Evaporating temperature (Mid) -10°C, Ambient air temperature +32°C, Return Gas Temperature 20°C, Subcooling 0K

 For regular updates and detailed capacities, please refer to **Coolselector®2** software


Model	Code	Version	Refrigerant group	Electrical code (1)	Tamb [°C]	Cooling capacity Q [kW] (2)								EcoDesign (3)		Min Fuse rating gL/gG (A)	Sound pressure level 10 m dB(A)
						Evaporating Temperature (Mid point) [°C]								COP	SEPR		
						-20°C	-15°C	-10°C	-5°C	0°C	5°C	10°C					
OP-MPBM008DY	114X4119	P00	A1	G	27	-	0.78	0.97	1.18	1.40	1.63	-	2.26	-	6	31	
					32	-	0.70	0.87	1.06	1.26	1.48	-					
					38	-	0.59	0.74	0.91	1.10	1.29	-					
					43	-	-	0.64	0.79	0.96	1.14	-					
OP-MPBM009DY	114X4120	P00	A1	G	27	-	0.89	1.09	1.30	1.53	1.77	-	2.05	-	8	31	
					32	-	0.79	0.98	1.17	1.38	1.60	-					
					38	-	0.68	0.84	1.02	1.20	1.40	-					
					43	-	-	0.73	0.89	1.06	1.24	-					
OP-MPTM008DY	114X4107	P00	A1 + A2L	G	27	-	0.78	0.97	1.18	1.40	1.63	-	2.26	-	6	31	
					32	-	0.70	0.87	1.06	1.26	1.48	-					
					38	-	0.59	0.74	0.91	1.10	1.29	-					
					43	-	-	0.64	0.79	0.96	1.14	-					
OP-MPTM009DY	114X4111	P00	A1 + A2L	G	27	-	0.89	1.09	1.30	1.53	1.77	-	2.05	-	8	31	
					32	-	0.79	0.98	1.17	1.38	1.60	-					
					38	-	0.68	0.84	1.02	1.20	1.40	-					
					43	-	-	0.73	0.89	1.06	1.24	-					
OP-MPBM012DP	114X4121	P00	A1	G	27	-	1.14	1.39	1.66	1.93	2.22	-	1.86	-	8	31	
					32	-	1.01	1.24	1.48	1.74	2.01	-					
					38	-	0.86	1.06	1.28	1.51	1.75	-					
					43	-	-	0.92	1.11	1.32	1.54	-					
OP-MPBM014DP	114X4122	P00	A1	G	27	-	1.20	1.45	1.71	2.00	2.29	-	1.79	-	8	31	
					32	-	1.09	1.32	1.57	1.83	2.11	-					
					38	-	0.96	1.16	1.39	1.63	1.89	-					
					43	-	-	1.03	1.24	1.47	1.71	-					
OP-MPTM012DP	114X4113	P00	A1 + A2L	G	27	-	1.14	1.39	1.66	1.93	2.22	-	1.86	-	8	31	
					32	-	1.01	1.24	1.48	1.74	2.01	-					
					38	-	0.86	1.06	1.28	1.51	1.75	-					
					43	-	-	0.92	1.11	1.32	1.54	-					
OP-MPTM014DP	114X4114	P00	A1 + A2L	G	27	-	1.20	1.45	1.71	2.00	2.29	-	1.79	-	8	31	
					32	-	1.09	1.32	1.57	1.83	2.11	-					
					38	-	0.96	1.16	1.39	1.63	1.89	-					
					43	-	-	1.03	1.24	1.47	1.71	-					
OP-MPTM018DX	114X4115	P00	A1 + A2L	G	27	-	1.26	1.51	1.77	2.05	2.34	-	1.66	-	10	39	
					32	-	1.15	1.38	1.62	1.88	2.16	-					
					38	-	1.02	1.22	1.44	1.68	1.94	-					
					43	-	-	1.09	1.30	1.52	1.76	-					
OP-MPTM021DX*	114X4217	P00	A1 + A2L	G	27	1.16	1.40	1.67	1.95	2.24	2.55	-	1.61	-	10	39	
					32	1.06	1.28	1.52	1.78	2.06	2.35	-					
					38	0.94	1.13	1.35	1.58	1.84	2.10	-					
					43	0.84	1.01	1.21	1.42	1.65	1.90	-					
OP-MPTM022DS	114X4237	P00	A1 + A2L	G	27	-	1.84	2.24	2.69	3.18	3.73	-	1.93	-	10	40	
					32	-	1.66	2.03	2.44	2.90	3.39	-					
					38	-	1.45	1.78	2.15	2.56	3.00	-					
					43	-	-	1.58	1.91	2.27	2.67	-					
OP-MPTM026DS	114X4238	P00	A1 + A2L	G	27	-	2.24	2.74	3.26	3.80	4.36	-	2.02	-	16	38	
					32	-	1.98	2.43	2.91	3.41	3.93	-					
					38	-	1.67	2.06	2.49	2.94	3.41	-					
					43	-	-	1.76	2.14	2.55	2.98	-					

*Preliminary data

This table continues on the next page

MBP

(1) G - Compressor 230V/1~/50Hz, fan 230V/1~/50Hz

E - Compressor 400V/3~/50Hz, fan 230V/1~/50Hz

(2) Nominal conditions (EN13215), Evaporating temperatures at Mid point, Superheat 10K, Subcooling 0K

(3) Rated conditions (EN13215), Evaporating temperature (Mid point) -10°C, Ambient air temperature +32°C, Return Gas Temperature 20°C, Subcooling 0K



For regular updates and detailed capacities, please refer to **Coolselector®2** software



Model	Code	Version	Refrigerant group	Electrical code (1)	Tamb [°C]	Cooling capacity Q [kW] (2)							EcoDesign (3)		Min Fuse rating gL/gG (A)	Sound pressure level 10 m dB(A)
						Evaporating Temperature (Mid point) [°C]							COP	SEPR		
						-20°C	-15°C	-10°C	-5°C	0°C	5°C	10°C				
OP-MPTM026DS	114X4239	P00	A1 + A2L	E	27	-	2.25	2.75	3.27	3.82	4.39	-	2.07	-	6	38
					32	-	1.99	2.44	2.92	3.43	3.95	-				
					38	-	1.68	2.07	2.50	2.95	3.43	-				
					43	-	-	1.77	2.15	2.56	3.00	-				
OP-MPTM034DS	114X4241	P00	A1 + A2L	G	27	-	2.29	2.96	3.71	4.55	5.47	-	1.81	-	20	39
					32	-	2.05	2.68	3.39	4.18	5.05	-				
					38	-	1.76	2.33	2.99	3.72	4.53	-				
					43	-	-	2.04	2.65	3.33	4.09	-				
OP-MPTM034DS	114X4242	P00	A1 + A2L	E	27	-	2.33	3.01	3.78	4.63	5.57	-	1.86	-	8	39
					32	-	2.09	2.73	3.45	4.25	5.13	-				
					38	-	1.79	2.38	3.04	3.78	4.60	-				
					43	1.06	-	2.08	2.70	3.39	4.15	-				
OP-MPXM034ML	114X4264	P00	A1	E	27	2.63	3.24	3.93	4.72	5.60	6.58	-	2.24	-	10	38
					32	2.43	3.00	3.65	4.40	5.23	6.16	-				
					38	2.17	2.70	3.30	3.99	4.77	5.63	-				
					43	-	2.44	3.00	3.64	4.36	5.17	-				
OP-MPIM034ML	114X4204	P00	A1+A2L	E	27	2.63	3.24	3.93	4.72	5.60	6.58	-	2.24	-	10	38
					32	2.43	3.00	3.65	4.40	5.23	6.16	-				
					38	2.17	2.70	3.30	3.99	4.77	5.63	-				
					43	-	2.44	3.00	3.64	4.36	5.17	-				
OP-MPXM034ML	114X4261	P00	A1	G	27	2.62	3.23	3.94	4.73	5.61	6.59	-	2.30	-	20	38
					32	2.43	3.01	3.67	4.41	5.25	6.17	-				
					38	2.20	2.73	3.33	4.02	4.80	5.66	-				
					43	-	2.49	3.05	3.69	4.41	5.21	-				
OP-MPIM034ML	114X4205	P00	A1+A2L	G	27	2.62	3.23	3.94	4.73	5.61	6.59	-	2.30	-	20	38
					32	2.43	3.01	3.67	4.41	5.25	6.17	-				
					38	2.20	2.73	3.33	4.02	4.80	5.66	-				
					43	-	2.49	3.05	3.69	4.41	5.21	-				
OP-MPTM038DS*	114X4218	P00	A1 + A2L	G	27	1.85	2.48	3.20	4.00	4.90	5.89	-	1.78	-	20	39
					32	1.63	2.22	2.89	3.65	4.50	5.42	-				
					38	1.36	1.90	2.51	3.21	3.99	4.85	-				
					43	1.13	1.62	2.20	2.84	3.57	4.37	-				
OP-MPXM046ML	114X4284	P00	A1	E	27	3.50	4.29	5.19	6.20	7.31	8.53	-	2.14	-	12	38
					32	3.22	3.96	4.80	5.74	6.79	7.95	-				
					38	2.87	3.55	4.32	5.18	6.15	7.22	-				
					43	-	3.20	3.91	4.70	5.60	6.59	-				
OP-MPIM046ML	114X4206	P00	A1+A2L	E	27	3.50	4.29	5.19	6.20	7.31	8.53	-	2.14	-	12	38
					32	3.22	3.96	4.80	5.74	6.79	7.95	-				
					38	2.87	3.55	4.32	5.18	6.15	7.22	-				
					43	-	3.20	3.91	4.70	5.60	6.59	-				
OP-MPXM046ML	114X4281	P00	A1	G	27	3.51	4.31	5.21	6.23	7.37	8.61	-	2.06	-	32	38
					32	3.24	3.99	4.84	5.79	6.86	8.04	-				
					38	2.91	3.60	4.38	5.25	6.24	7.33	-				
					43	-	3.27	3.98	4.79	5.70	6.72	-				
OP-MPIM046ML	114X4207	P00	A1+A2L	G	27	3.51	4.31	5.21	6.23	7.37	8.61	-	2.06	-	32	38
					32	3.24	3.99	4.84	5.79	6.86	8.04	-				
					38	2.91	3.60	4.38	5.25	6.24	7.33	-				
					43	-	3.27	3.98	4.79	5.70	6.72	-				

*Preliminary data

This table continues on the next page

MBP

(1) G - Compressor 230V/1~/50Hz, fan 230V/1~/50Hz

E - Compressor 400V/3~/50Hz, fan 230V/1~/50Hz

(2) Nominal conditions (EN13215), Evaporating temperatures at Mid point, Superheat 10K, Subcooling 0K

(3) Rated conditions (EN13215), Evaporating temperature (Mid point) -10°C, Ambient air temperature +32°C, Return Gas Temperature 20°C, Subcooling 0K



For regular updates and detailed capacities, please refer to **Coolselector®2** software



Model	Code	Version	Refrigerant group	Electrical code (1)	Tamb [°C]	Cooling capacity Q [kW] (2)							EcoDesign (3)		Min Fuse rating gL/g (A)	Sound pressure level 10 m dB(A)
						Evaporating Temperature (Mid point) [°C]							COP	SEPR		
						-20°C	-15°C	-10°C	-5°C	0°C	5°C	10°C				
OP-MPXM057ML	114X4293	P00	A1	E	27	4.21	5.17	6.24	7.41	8.70	10.09	-	-	3.36	12	39
					32	3.84	4.73	5.73	6.83	8.04	9.35	-				
					38	3.37	4.19	5.10	6.11	7.22	8.42	-				
					43	-	3.73	4.57	5.49	6.50	7.61	-				
OP-MPIM057ML	114X4208	P00	A1+A2L	E	27	4.21	5.17	6.24	7.41	8.70	10.09	-	-	3.36	12	39
					32	3.84	4.73	5.73	6.83	8.04	9.35	-				
					38	3.37	4.19	5.10	6.11	7.22	8.42	-				
					43	-	3.73	4.57	5.49	6.50	7.61	-				
OP-MPXM057ML	114X4290	P00	A1	G	27	4.26	5.22	6.29	7.49	8.80	10.23	-	-	3.15	32	39
					32	3.92	4.80	5.80	6.92	8.14	9.48	-				
					38	3.49	4.29	5.19	6.20	7.31	8.54	-				
					43	-	3.84	4.65	5.57	6.59	7.72	-				
OP-MPIM057ML	114X4209	P00	A1+A2L	G	27	4.26	5.22	6.29	7.49	8.80	10.23	-	-	3.15	32	39
					32	3.92	4.80	5.80	6.92	8.14	9.48	-				
					38	3.49	4.29	5.19	6.20	7.31	8.54	-				
					43	-	3.84	4.65	5.57	6.59	7.72	-				
OP-MPXM068ML	114X4308	P00	A1	G	27	5.33	6.54	7.93	9.49	11.23	13.17	-	-	3.59	40	42
					32	4.91	6.06	7.36	8.83	10.47	12.31	-				
					38	4.40	5.46	6.65	8.01	9.53	11.24	-				
					43	-	4.95	6.05	7.31	8.73	10.33	-				
OP-MPIM068ML	114X4307	P00	A1+A2L	G	27	5.33	6.54	7.93	9.49	11.23	13.17	-	-	3.67	40	42
					32	4.91	6.06	7.36	8.83	10.47	12.31	-				
					38	4.40	5.46	6.65	8.01	9.53	11.24	-				
					43	-	4.95	6.05	7.31	8.73	10.33	-				
OP-MPXM068ML	114X4311	P00	A1	E	27	5.36	6.57	7.95	9.51	11.25	13.17	-	-	3.78	16	42
					32	4.94	6.08	7.37	8.84	10.48	12.31	-				
					38	4.42	5.46	6.65	8.00	9.52	11.22	-				
					43	-	4.92	6.02	7.27	8.68	10.27	-				
OP-MPIM068ML	114X4306	P00	A1+A2L	E	27	5.36	6.57	7.95	9.51	11.25	13.17	-	-	3.87	16	42
					32	4.94	6.08	7.37	8.84	10.48	12.31	-				
					38	4.42	5.46	6.65	8.00	9.52	11.22	-				
					43	-	4.92	6.02	7.27	8.68	10.27	-				
OP-MPXM080ML	114X4321	P00	A1	G	27	6.13	7.50	9.04	10.76	12.66	14.73	-	-	3.32	45	42
					32	5.69	6.97	8.42	10.03	11.81	13.76	-				
					38	5.14	6.32	7.64	9.11	10.75	12.55	-				
					43	-	5.75	6.97	8.33	9.83	11.50	-				
OP-MPIM080ML	114X4312	P00	A1+A2L	G	27	6.13	7.50	9.04	10.76	12.66	14.73	-	-	3.38	45	42
					32	5.69	6.97	8.42	10.03	11.81	13.76	-				
					38	5.14	6.32	7.64	9.11	10.75	12.55	-				
					43	-	5.75	6.97	8.33	9.83	11.50	-				
OP-MPXM080ML	114X4324	P00	A1	E	27	6.22	7.59	9.15	10.89	12.81	14.91	-	-	3.74	20	42
					32	5.72	7.01	8.47	10.10	11.91	13.89	-				
					38	5.11	6.29	7.62	9.12	10.79	12.63	-				
					43	-	5.67	6.90	8.28	9.83	11.54	-				
OP-MPIM080ML	114X4309	P00	A1+A2L	E	27	6.22	7.59	9.15	10.89	12.81	14.91	-	-	3.82	20	42
					32	5.72	7.01	8.47	10.10	11.91	13.89	-				
					38	5.11	6.29	7.62	9.12	10.79	12.63	-				
					43	-	5.67	6.90	8.28	9.83	11.54	-				
OP-MPXM108ML	114X4344	P00	A1	E	27	8.09	9.90	11.93	14.18	16.67	19.40	-	-	3.55	20	43
					32	7.43	9.11	11.01	13.12	15.45	18.02	-				
					38	6.62	8.14	9.86	11.79	13.93	16.29	-				
					43	-	7.32	8.88	10.64	12.61	14.79	-				

MBP

(1) G - Compressor 230V/1~/50Hz, fan 230V/1~/50Hz

E - Compressor 400V/3~/50Hz, fan 230V/1~/50Hz

(2) Nominal conditions (EN13215), Evaporating temperatures at Mid point, Superheat 10K, Subcooling 0K

(3) Rated conditions (EN13215), Evaporating temperature (Mid point) -10°C, Ambient air temperature +32°C, Return Gas Temperature 20°C, Subcooling 0K

This table continues on the next page



For regular updates and detailed capacities, please refer to **Coolselector®2** software



Model	Code	Version	Refrigerant group	Electrical code (1)	Tamb [°C]	Cooling capacity Q [kW] (2)								EcoDesign (3)		Min Fuse rating gL/gG (A)	Sound pressure level 10 m dB(A)
						Evaporating Temperature (Mid point) [°C]								COP	SEPR		
						-20°C	-15°C	-10°C	-5°C	0°C	5°C	10°C					
OP-MPIM108ML	114X4314	P00	A1+A2L	E	27	8.09	9.90	11.93	14.18	16.67	19.40	-	-	3.60	20	43	
					32	7.43	9.11	11.01	13.12	15.45	18.02	-					
					38	6.62	8.14	9.86	11.79	13.93	16.29	-					
					43	-	7.32	8.88	10.64	12.61	14.79	-					
OP-MPXM125ML	114X4414	P00	A1	E	27	9.63	11.78	14.21	16.93	19.94	23.23	-	-	3.63	32	46	
					32	8.87	10.89	13.16	15.71	18.53	21.63	-					
					38	7.94	9.78	11.85	14.19	16.78	19.65	-					
					43	-	8.83	10.73	12.87	15.27	17.93	-					
OP-MPXM162ML	114X4434	P00	A1	E	27	11.70	14.50	17.67	21.22	25.15	29.44	-	-	3.35	32	46	
					32	10.65	13.27	16.24	19.59	23.30	27.37	-					
					38	9.35	11.74	14.46	17.54	20.98	24.77	-					
					43	-	10.43	12.93	15.77	18.96	22.49	-					
OP-MPIM125ML	114X4409	P00	A1 + A2L	E	27	9.63	11.78	14.21	16.93	19.94	23.23	-	-	3.63	32	46	
					32	8.87	10.89	13.16	15.71	18.53	21.63	-					
					38	7.94	9.78	11.85	14.19	16.78	19.65	-					
					43	-	8.83	10.73	12.87	15.27	17.93	-					
OP-MPIM162ML	114X4410	P00	A1 + A2L	E	27	11.70	14.50	17.67	21.22	25.15	29.44	-	-	3.35	40	46	
					32	10.65	13.27	16.24	19.59	23.30	27.37	-					
					38	9.35	11.74	14.46	17.54	20.98	24.77	-					
					43	-	10.43	12.93	15.77	18.96	22.49	-					

MBP

(1) **G** - Compressor 230V/1~/50Hz, fan 230V/1~/50Hz

E - Compressor 400V/3~/50Hz, fan 230V/1~/50Hz

(2) Nominal conditions (EN13215), Evaporating temperatures at Mid point, Superheat 10K, Subcooling 0K

(3) Rated conditions (EN13215), Evaporating temperature (Mid point) -10°C, Ambient air temperature +32°C, Return Gas Temperature 20°C, Subcooling 0K



For regular updates and detailed capacities, please refer to **Coolselector®2** software



Model	Code	Version	Refrigerant group	Electrical code (1)	Tamb [°C]	Cooling capacity Q [kW] (2)							EcoDesign (3)		Min Fuse rating gL/gG (A)	Sound pressure level 10 m dB(A)
						Evaporating Temperature (Mid point) [°C]							COP	SEPR		
						-20°C	-15°C	-10°C	-5°C	0°C	5°C	10°C				
OP-MPBM008DY	114X4119	P00	A1	G	27	-	0.77	0.96	1.17	1.38	1.62	-	2.25	-	6	31
					32	-	0.69	0.86	1.05	1.25	1.46	-				
					38	-	0.58	0.74	0.90	1.09	1.28	-				
					43	-	-	0.63	0.78	0.95	1.13	-				
OP-MPBM009DY	114X4120	P00	A1	G	27	-	0.87	1.08	1.29	1.52	1.75	-	2.04	-	8	31
					32	-	0.78	0.97	1.16	1.37	1.59	-				
					38	-	0.67	0.83	1.01	1.19	1.39	-				
					43	-	-	0.72	0.88	1.05	1.23	-				
OP-MPTM008DY	114X4107	P00	A1 + A2L	G	27	-	0.77	0.96	1.17	1.38	1.62	-	2.25	-	6	31
					32	-	0.69	0.86	1.05	1.25	1.46	-				
					38	-	0.58	0.74	0.90	1.09	1.28	-				
					43	-	-	0.63	0.78	0.95	1.13	-				
OP-MPTM009DY	114X4111	P00	A1 + A2L	G	27	-	0.87	1.08	1.29	1.52	1.75	-	2.04	-	8	31
					32	-	0.78	0.97	1.16	1.37	1.59	-				
					38	-	0.67	0.83	1.01	1.19	1.39	-				
					43	-	-	0.72	0.88	1.05	1.23	-				
OP-MPBM012DP	114X4121	P00	A1	G	27	-	1.12	1.37	1.64	1.92	2.21	-	1.85	-	8	31
					32	-	1.00	1.23	1.47	1.73	1.99	-				
					38	-	0.85	1.05	1.27	1.50	1.74	-				
					43	-	-	0.91	1.10	1.31	1.53	-				
OP-MPBM014DP	114X4122	P00	A1	G	27	-	1.19	1.43	1.70	1.98	2.28	-	1.78	-	8	31
					32	-	1.08	1.30	1.55	1.81	2.10	-				
					38	-	0.95	1.15	1.37	1.62	1.88	-				
					43	-	-	1.02	1.23	1.45	1.70	-				
OP-MPTM012DP	114X4113	P00	A1 + A2L	G	27	-	1.12	1.37	1.64	1.92	2.21	-	1.85	-	8	31
					32	-	1.00	1.23	1.47	1.73	1.99	-				
					38	-	0.85	1.05	1.27	1.50	1.74	-				
					43	-	-	0.91	1.10	1.31	1.53	-				
OP-MPTM014DP	114X4114	P00	A1 + A2L	G	27	-	1.19	1.43	1.70	1.98	2.28	-	1.78	-	8	31
					32	-	1.08	1.30	1.55	1.81	2.10	-				
					38	-	0.95	1.15	1.37	1.62	1.88	-				
					43	-	-	1.02	1.23	1.45	1.70	-				
OP-MPTM018DX	114X4115	P00	A1 + A2L	G	27	-	1.25	1.49	1.75	2.03	2.32	-	1.65	-	10	39
					32	-	1.14	1.36	1.61	1.87	2.14	-				
					38	-	1.01	1.21	1.43	1.67	1.93	-				
					43	-	-	1.08	1.28	1.51	1.75	-				
OP-MPTM021DX*	114X4217	P00	A1 + A2L	G	27	1.16	1.40	1.67	1.95	2.24	2.55	-	1.61	-	10	39
					32	1.06	1.28	1.52	1.78	2.06	2.35	-				
					38	0.94	1.13	1.35	1.58	1.84	2.10	-				
					43	0.84	1.01	1.21	1.42	1.65	1.90	-				
OP-MPTM022DS	114X4237	P00	A1 + A2L	G	27	-	1.81	2.21	2.66	3.15	3.70	-	1.91	-	10	40
					32	-	1.64	2.01	2.42	2.87	3.37	-				
					38	-	1.43	1.76	2.13	2.53	2.98	-				
					43	-	-	1.56	1.89	2.25	2.65	-				
OP-MPTM026DS	114X4238	P00	A1 + A2L	G	27	-	2.21	2.71	3.23	3.77	4.33	-	2.01	-	16	38
					32	-	1.95	2.40	2.88	3.38	3.90	-				
					38	-	1.64	2.04	2.46	2.91	3.39	-				
					43	-	-	1.74	2.12	2.53	2.96	-				

*Preliminary data

This table continues on the next page

MBP

(1) G - Compressor 230V/1~/50Hz, fan 230V/1~/50Hz
 E - Compressor 400V/3~/50Hz, fan 230V/1~/50Hz

(2) Nominal conditions (EN13215), Evaporating temperatures at Mid point, Superheat 10K, Subcooling 0K

(3) Rated conditions (EN13215), Evaporating temperature (Mid point) -10°C, Ambient air temperature +32°C, Return Gas Temperature 20°C, Subcooling 0K



For regular updates and detailed capacities, please refer to **Coolselector®2** software



Model	Code	Version	Refrigerant group	Electrical code (1)	Tamb [°C]	Cooling capacity Q [kW] (2)							EcoDesign (3)		Min Fuse rating gL/gG (A)	Sound pressure level 10 m dB(A)
						Evaporating Temperature (Mid point) [°C]							COP	SEPR		
						-20°C	-15°C	-10°C	-5°C	0°C	5°C	10°C				
OP-MPTM026DS	114X4239	P00	A1 + A2L	E	27	-	2.22	2.72	3.24	3.79	4.36	-	2.06	-	6	38
					32	-	1.96	2.41	2.89	3.40	3.92	-				
					38	-	1.65	2.05	2.48	2.93	3.41	-				
					43	-	-	1.75	2.13	2.54	2.98	-				
OP-MPTM034DS	114X4241	P00	A1 + A2L	G	27	-	2.25	2.91	3.67	4.50	5.43	-	1.79	-	20	39
					32	-	2.02	2.64	3.34	4.13	5.00	-				
					38	-	1.73	2.30	2.95	3.68	4.49	-				
					43	-	-	2.01	2.61	3.29	4.05	-				
OP-MPTM034DS	114X4242	P00	A1 + A2L	E	27	-	2.29	2.97	3.73	4.58	5.52	-	1.84	-	8	39
					32	-	2.05	2.69	3.40	4.20	5.09	-				
					38	-	1.76	2.34	3.00	3.74	4.56	-				
					43	1.04	-	2.05	2.66	3.35	4.12	-				
OP-MPXM034ML	114X4264	P00	A1	E	27	2.59	3.20	3.89	4.67	5.55	6.52	-	2.22	-	10	38
					32	2.39	2.96	3.61	4.35	5.18	6.10	-				
					38	2.14	2.66	3.26	3.95	4.72	5.58	-				
					43	-	2.41	2.96	3.60	4.32	5.12	-				
OP-MPIM034ML	114X4204	P00	A1+A2L	E	27	2.59	3.20	3.89	4.67	5.55	6.52	-	2.22	-	10	38
					32	2.39	2.96	3.61	4.35	5.18	6.10	-				
					38	2.14	2.66	3.26	3.95	4.72	5.58	-				
					43	-	2.41	2.96	3.60	4.32	5.12	-				
OP-MPXM034ML	114X4261	P00	A1	G	27	2.58	3.19	3.89	4.68	5.56	6.53	-	2.28	-	20	38
					32	2.39	2.97	3.62	4.36	5.20	6.12	-				
					38	2.17	2.69	3.29	3.98	4.75	5.61	-				
					43	-	2.46	3.01	3.65	4.36	5.17	-				
OP-MPIM034ML	114X4205	P00	A1+A2L	G	27	2.58	3.19	3.89	4.68	5.56	6.53	-	2.28	-	20	38
					32	2.39	2.97	3.62	4.36	5.20	6.12	-				
					38	2.17	2.69	3.29	3.98	4.75	5.61	-				
					43	-	2.46	3.01	3.65	4.36	5.17	-				
OP-MPTM038DS*	114X4218	P00	A1 + A2L	G	27	1.85	2.48	3.20	4.00	4.90	5.89	-	1.78	-	20	39
					32	1.63	2.22	2.89	3.65	4.50	5.42	-				
					38	1.36	1.90	2.51	3.21	3.99	4.85	-				
					43	1.13	1.62	2.20	2.84	3.57	4.37	-				
OP-MPXM046ML	114X4284	P00	A1	E	27	3.45	4.23	5.13	6.13	7.24	8.46	-	2.12	-	12	38
					32	3.17	3.91	4.74	5.68	6.73	7.88	-				
					38	2.83	3.50	4.27	5.13	6.09	7.15	-				
					43	-	3.16	3.86	4.65	5.54	6.52	-				
OP-MPIM046ML	114X4206	P00	A1+A2L	E	27	3.45	4.23	5.13	6.13	7.24	8.46	-	2.12	-	12	38
					32	3.17	3.91	4.74	5.68	6.73	7.88	-				
					38	2.83	3.50	4.27	5.13	6.09	7.15	-				
					43	-	3.16	3.86	4.65	5.54	6.52	-				
OP-MPXM046ML	114X4281	P00	A1	G	27	3.46	4.25	5.15	6.17	7.30	8.54	-	2.04	-	32	38
					32	3.19	3.94	4.78	5.73	6.79	7.97	-				
					38	2.87	3.55	4.32	5.19	6.17	7.26	-				
					43	-	3.22	3.93	4.74	5.64	6.66	-				
OP-MPIM046ML	114X4207	P00	A1+A2L	G	27	3.46	4.25	5.15	6.17	7.30	8.54	-	2.04	-	32	38
					32	3.19	3.94	4.78	5.73	6.79	7.97	-				
					38	2.87	3.55	4.32	5.19	6.17	7.26	-				
					43	-	3.22	3.93	4.74	5.64	6.66	-				

*Preliminary data

This table continues on the next page

MBP

(1) G - Compressor 230V/1~/50Hz, fan 230V/1~/50Hz

E - Compressor 400V/3~/50Hz, fan 230V/1~/50Hz

(2) Nominal conditions (EN13215), Evaporating temperatures at Mid point, Superheat 10K, Subcooling 0K

(3) Rated conditions (EN13215), Evaporating temperature (Mid point) -10°C, Ambient air temperature +32°C, Return Gas Temperature 20°C, Subcooling 0K



For regular updates and detailed capacities, please refer to **Coolselector®2** software



Model	Code	Version	Refrigerant group	Electrical code (1)	Tamb [°C]	Cooling capacity Q [kW] (2)							EcoDesign (3)		Min Fuse rating gL/gG (A)	Sound pressure level 10 m dB(A)
						Evaporating Temperature (Mid point) [°C]							COP	SEPR		
						-20°C	-15°C	-10°C	-5°C	0°C	5°C	10°C				
OP-MPXM057ML	114X4293	P00	A1	E	27	4.15	5.10	6.16	7.33	8.62	10.00	-	-	3.33	12	39
					32	3.78	4.67	5.66	6.76	7.96	9.26	-				
					38	3.32	4.13	5.04	6.04	7.14	8.33	-				
					43	-	3.67	4.50	5.42	6.43	7.53	-				
OP-MPIM057ML	114X4208	P00	A1+A2L	E	27	4.15	5.10	6.16	7.33	8.62	10.00	-	-	3.33	12	39
					32	3.78	4.67	5.66	6.76	7.96	9.26	-				
					38	3.32	4.13	5.04	6.04	7.14	8.33	-				
					43	-	3.67	4.50	5.42	6.43	7.53	-				
OP-MPXM057ML	114X4290	P00	A1	G	27	4.20	5.15	6.22	7.41	8.72	10.14	-	-	3.12	32	39
					32	3.86	4.74	5.73	6.84	8.06	9.40	-				
					38	3.44	4.23	5.12	6.12	7.24	8.46	-				
					43	-	3.79	4.59	5.50	6.52	7.64	-				
OP-MPIM057ML	114X4209	P00	A1+A2L	G	27	4.20	5.15	6.22	7.41	8.72	10.14	-	-	3.12	32	39
					32	3.86	4.74	5.73	6.84	8.06	9.40	-				
					38	3.44	4.23	5.12	6.12	7.24	8.46	-				
					43	-	3.79	4.59	5.50	6.52	7.64	-				
OP-MPXM068ML	114X4308	P00	A1	G	27	5.25	6.46	7.83	9.39	11.12	13.05	-	-	3.56	40	42
					32	4.84	5.98	7.27	8.73	10.37	12.20	-				
					38	4.34	5.38	6.57	7.92	9.44	11.14	-				
					43	-	4.88	5.97	7.22	8.63	10.23	-				
OP-MPIM068ML	114X4307	P00	A1+A2L	G	27	5.25	6.46	7.83	9.39	11.12	13.05	-	-	3.64	40	42
					32	4.84	5.98	7.27	8.73	10.37	12.20	-				
					38	4.34	5.38	6.57	7.92	9.44	11.14	-				
					43	-	4.88	5.97	7.22	8.63	10.23	-				
OP-MPXM068ML	114X4311	P00	A1	E	27	5.29	6.49	7.86	9.41	11.14	13.06	-	-	3.75	16	42
					32	4.87	6.00	7.29	8.74	10.38	12.20	-				
					38	4.35	5.38	6.57	7.91	9.42	11.11	-				
					43	-	4.85	5.94	7.18	8.59	10.17	-				
OP-MPIM068ML	114X4306	P00	A1+A2L	E	27	5.29	6.49	7.86	9.41	11.14	13.06	-	-	3.84	16	42
					32	4.87	6.00	7.29	8.74	10.38	12.20	-				
					38	4.35	5.38	6.57	7.91	9.42	11.11	-				
					43	-	4.85	5.94	7.18	8.59	10.17	-				
OP-MPXM080ML	114X4321	P00	A1	G	27	6.04	7.40	8.94	10.65	12.54	14.61	-	-	3.30	45	42
					32	5.61	6.88	8.32	9.92	11.69	13.64	-				
					38	5.07	6.23	7.55	9.01	10.64	12.43	-				
					43	-	5.68	6.88	8.23	9.73	11.40	-				
OP-MPIM080ML	114X4312	P00	A1+A2L	G	27	6.04	7.40	8.94	10.65	12.54	14.61	-	-	3.35	45	42
					32	5.61	6.88	8.32	9.92	11.69	13.64	-				
					38	5.07	6.23	7.55	9.01	10.64	12.43	-				
					43	-	5.68	6.88	8.23	9.73	11.40	-				
OP-MPXM080ML	114X4324	P00	A1	E	27	6.13	7.50	9.04	10.77	12.69	14.78	-	-	3.72	20	42
					32	5.64	6.92	8.37	9.99	11.79	13.77	-				
					38	5.04	6.20	7.53	9.02	10.68	12.51	-				
					43	-	5.59	6.81	8.18	9.73	11.43	-				
OP-MPIM080ML	114X4309	P00	A1+A2L	E	27	6.13	7.50	9.04	10.77	12.69	14.78	-	-	3.79	20	42
					32	5.64	6.92	8.37	9.99	11.79	13.77	-				
					38	5.04	6.20	7.53	9.02	10.68	12.51	-				
					43	-	5.59	6.81	8.18	9.73	11.43	-				

MBP
(1) G - Compressor 230V/1~/50Hz, fan 230V/1~/50Hz

E - Compressor 400V/3~/50Hz, fan 230V/1~/50Hz

(2) Nominal conditions (EN13215), Evaporating temperatures at Mid point, Superheat 10K, Subcooling 0K

(3) Rated conditions (EN13215), Evaporating temperature (Mid point) -10°C, Ambient air temperature +32°C, Return Gas Temperature 20°C, Subcooling 0K

SEPR, Seasonal Energy Performance Ratio


For regular updates and detailed capacities, please refer to **Coolselector®2** software


Model	Code	Version	Refrigerant group	Electrical code (1)	Tamb [°C]	Cooling capacity Q [kW] (2)						EcoDesign (3)		Min Fuse rating gL/gG (A)	Sound pressure level 10 m dB(A)	
						Evaporating Temperature (Mid point) [°C]						COP	SEPR			
						-20°C	-15°C	-10°C	-5°C	0°C	5°C					10°C
OP-MPXM108ML	114X4344	P00	A1	E	27	7.98	9.77	11.79	14.03	16.51	19.23	-	-	3.52	20	43
					32	7.32	8.99	10.88	12.98	15.30	17.86	-				
					38	6.52	8.03	9.75	11.66	13.79	16.14	-				
					43	-	7.21	8.77	10.53	12.49	14.65	-				
OP-MPIM108ML	114X4314	P00	A1+A2L	E	27	7.98	9.77	11.79	14.03	16.51	19.23	-	-	3.57	20	43
					32	7.32	8.99	10.88	12.98	15.30	17.86	-				
					38	6.52	8.03	9.75	11.66	13.79	16.14	-				
					43	-	7.21	8.77	10.53	12.49	14.65	-				
OP-MPXM125ML	114X4414	P00	A1	E	27	9.49	11.63	14.05	16.76	19.75	23.04	-	-	3.61	32	46
					32	8.75	10.75	13.01	15.54	18.36	21.45	-				
					38	7.83	9.65	11.71	14.03	16.62	19.47	-				
					43	-	8.70	10.59	12.72	15.11	17.76	-				
OP-MPXM162ML	114X4434	P00	A1	E	27	11.54	14.31	17.45	20.98	24.90	29.18	-	-	3.32	32	46
					32	10.50	13.10	16.04	19.36	23.06	27.12	-				
					38	9.21	11.59	14.28	17.33	20.75	24.53	-				
					43	-	10.28	12.76	15.57	18.74	22.26	-				
OP-MPIM125ML	114X4409	P00	A1 + A2L	E	27	9.49	11.63	14.05	16.76	19.75	23.04	-	-	3.61	32	46
					32	8.75	10.75	13.01	15.54	18.36	21.45	-				
					38	7.83	9.65	11.71	14.03	16.62	19.47	-				
					43	-	8.70	10.59	12.72	15.11	17.76	-				
OP-MPIM162ML	114X4410	P00	A1 + A2L	E	27	11.54	14.31	17.45	20.98	24.90	29.18	-	-	3.32	40	46
					32	10.50	13.10	16.04	19.36	23.06	27.12	-				
					38	9.21	11.59	14.28	17.33	20.75	24.53	-				
					43	-	10.28	12.76	15.57	18.74	22.26	-				

MBP

(1) G - Compressor 230V/1~/50Hz, fan 230V/1~/50Hz

E - Compressor 400V/3~/50Hz, fan 230V/1~/50Hz

(2) Nominal conditions (EN13215), Evaporating temperatures at Mid point, Superheat 10K, Subcooling 0K

(3) Rated conditions (EN13215), Evaporating temperature (Mid point) -10°C, Ambient air temperature +32°C, Return Gas Temperature 20°C, Subcooling 0K



For regular updates and detailed capacities, please refer to **Coolselector®2** software



Model	Code	Version	Refrigerant group	Electrical code (1)	Tamb [°C]	Cooling capacity Q [kW] (2)							EcoDesign (3)		Min Fuse rating gL/gG (A)	Sound pressure level 10 m dB(A)
						Evaporating Temperature (Mid point) [°C]							COP	SEPR		
						-20°C	-15°C	-10°C	-5°C	0°C	5°C	10°C				
OP-MPTM008DY	114X4107	P00	A1 + A2L	G	27	0.57	0.73	0.91	1.09	1.29	1.5	-	2.25	-	6	31
					32	0.51	0.65	0.81	0.98	1.17	1.36	-				
					38	0.44	0.56	0.7	0.85	1.02	1.19	-				
					43	0.38	0.49	0.61	0.74	0.89	1.05	-				
OP-MPTM009DY	114X4111	P00	A1 + A2L	G	27	0.66	0.85	1.05	1.26	1.48	1.72	-	2.21	-	8	31
					32	0.59	0.76	0.94	1.13	1.34	1.56	-				
					38	0.51	0.65	0.81	0.98	1.17	1.36	-				
					43	0.44	0.57	0.7	0.86	1.02	1.2	-				
OP-MPTM012DP	114X4113	P00	A1 + A2L	G	27	0.9	1.14	1.39	1.65	1.92	2.2	-	1.97	-	8	31
					32	0.8	1.02	1.24	1.48	1.73	1.98	-				
					38	0.68	0.87	1.07	1.28	1.5	1.73	-				
					43	0.59	0.75	0.93	1.11	1.31	1.52	-				
OP-MPTM014DP	114X4114	P00	A1 + A2L	G	27	0.93	1.16	1.42	1.69	1.99	2.3	-	1.87	-	8	31
					32	0.84	1.05	1.28	1.54	1.82	2.12	-				
					38	0.73	0.92	1.13	1.36	1.62	1.9	-				
					43	0.64	0.81	1	1.22	1.45	1.71	-				
OP-MPTM018DX	114X4115	P00	A1 + A2L	G	27	1	1.26	1.54	1.83	2.14	2.46	-	1.71	-	10	39
					32	0.89	1.12	1.37	1.64	1.93	2.22	-				
					38	0.75	0.96	1.18	1.42	1.67	1.94	-				
					43	0.65	0.82	1.02	1.23	1.46	1.71	-				
OP-MPTM021DX*	114X4217	P00	A1 + A2L	G	27	1.16	1.46	1.78	2.10	2.44	2.80	-	1.66	-	10	39
					32	1.03	1.30	1.59	1.89	2.20	2.53	-				
					38	0.88	1.11	1.36	1.63	1.91	2.21	-				
					43	0.75	0.95	1.17	1.41	1.67	1.94	-				
OP-MPTM022DS	114X4237	P00	A1 + A2L	G	27	1.46	1.82	2.24	2.7	3.22	3.79	-	1.98	-	10	40
					32	1.3	1.64	2.02	2.45	2.93	3.45	-				
					38	1.12	1.42	1.77	2.15	2.58	3.05	-				
					43	0.97	1.25	1.56	1.9	2.29	2.71	-				
OP-MPTM026DS	114X4238	P00	A1 + A2L	G	27	1.67	2.14	2.64	3.17	3.72	4.31	-	1.89	-	16	38
					32	1.46	1.88	2.33	2.81	3.32	3.87	-				
					38	1.21	1.57	1.97	2.39	2.85	3.35	-				
					43	1.01	1.32	1.67	2.05	2.46	2.91	-				
OP-MPTM026DS	114X4239	P00	A1 + A2L	E	27	1.69	2.16	2.67	3.2	3.76	4.35	-	1.85	-	6	38
					32	1.48	1.9	2.36	2.84	3.36	3.91	-				
					38	1.23	1.59	1.99	2.42	2.88	3.38	-				
					43	1.02	1.34	1.68	2.07	2.48	2.94	-				
OP-MPTM034DS	114X4241	P00	A1 + A2L	G	27	1.66	2.26	2.95	3.73	4.62	5.59	-	1.86	-	20	39
					32	1.45	2.01	2.66	3.39	4.22	5.14	-				
					38	1.2	1.71	2.3	2.97	3.74	4.59	-				
					43	0.98	1.45	2	2.62	3.34	4.13	-				
OP-MPTM034DS	114X4242	P00	A1 + A2L	E	27	1.68	2.28	2.98	3.77	4.66	5.64	-	1.82	-	8	39
					32	1.47	2.03	2.68	3.42	4.27	5.19	-				
					38	1.21	1.73	2.32	3	3.78	4.64	-				
					43	0.99	1.47	2.02	2.65	3.37	4.17	-				
OP-MPXM034ML	114X4264	P00	A1	E	27	2.55	3.13	3.78	4.53	5.36	6.29	-	2.2	-	10	38
					32	2.36	2.89	3.5	4.2	4.96	5.83	-				
					38	2.12	2.61	3.15	3.78	4.48	5.27	-				
					43	1.92	2.36	2.85	3.43	-	-	-				

*Preliminary data

This table continues on the next page

MBP

(1) G - Compressor 230V/1~/50Hz, fan 230V/1~/50Hz

E - Compressor 400V/3~/50Hz, fan 230V/1~/50Hz

(2) Nominal conditions (EN13215), Evaporating temperatures at Mid point, Superheat 10K, Subcooling 0K

(3) Rated conditions (EN13215), Evaporating temperature (Mid point) -10°C, Ambient air temperature +32°C, Return Gas Temperature 20°C, Subcooling 0K



For regular updates and detailed capacities, please refer to **Coolselector®2** software



Model	Code	Version	Refrigerant group	Electrical code (1)	Tamb [°C]	Cooling capacity Q [kW] (2)							EcoDesign (3)		Min Fuse rating gL/gG (A)	Sound pressure level 10 m dB(A)
						Evaporating Temperature (Mid point) [°C]							COP	SEPR		
						-20°C	-15°C	-10°C	-5°C	0°C	5°C	10°C				
OP-MPIM034ML	114X4204	P00	A1+A2L	E	27	2.55	3.13	3.78	4.53	5.36	6.29	-	2.2	-	10	38
					32	2.36	2.89	3.5	4.2	4.96	5.83	-				
					38	2.12	2.61	3.15	3.78	4.48	5.27	-				
					43	1.92	2.36	2.85	3.43	-	-	-				
OP-MPXM034ML	114X4261	P00	A1	G	27	2.57	3.15	3.81	4.56	5.39	6.32	-	2.21	-	20	38
					32	2.37	2.91	3.52	4.23	5	5.87	-				
					38	2.13	2.62	3.17	3.81	4.51	5.32	-				
					43	1.93	2.37	2.87	3.45	-	-	-				
OP-MPIM034ML	114X4205	P00	A1+A2L	G	27	2.57	3.15	3.81	4.56	5.39	6.32	-	2.21	-	20	38
					32	2.37	2.91	3.52	4.23	5	5.87	-				
					38	2.13	2.62	3.17	3.81	4.51	5.32	-				
					43	1.93	2.37	2.87	3.45	-	-	-				
OP-MPTM038DS*	114X4218	P00	A1+A2L	G	27	1.83	2.47	3.21	4.06	4.99	6.02	-	1.84	-	20	39
					32	1.60	2.20	2.89	3.68	4.56	5.53	-				
					38	1.31	1.86	2.50	3.22	4.03	4.93	-				
					43	1.08	1.58	2.16	2.84	3.59	4.43	-				
OP-MPXM046ML	114X4284	P00	A1	E	27	3.43	4.22	5.1	6.1	7.2	8.43	-	2.12	-	12	38
					32	3.15	3.88	4.7	5.64	6.66	7.81	-				
					38	2.81	3.47	4.21	5.06	5.99	7.04	-				
					43	2.52	3.12	3.79	4.56	-	-	-				
OP-MPIM046ML	114X4206	P00	A1+A2L	E	27	3.43	4.22	5.1	6.1	7.2	8.43	-	2.12	-	12	38
					32	3.15	3.88	4.7	5.64	6.66	7.81	-				
					38	2.81	3.47	4.21	5.06	5.99	7.04	-				
					43	2.52	3.12	3.79	4.56	-	-	-				
OP-MPXM046ML	114X4281	P00	A1	G	27	3.45	4.24	5.11	6.1	7.18	8.39	-	2.04	-	32	38
					32	3.19	3.92	4.72	5.64	6.64	7.77	-				
					38	2.87	3.52	4.24	5.07	5.97	7	-				
					43	2.59	3.17	3.82	4.57	-	-	-				
OP-MPIM046ML	114X4207	P00	A1+A2L	G	27	3.45	4.24	5.11	6.1	7.18	8.39	-	2.04	-	32	38
					32	3.19	3.92	4.72	5.64	6.64	7.77	-				
					38	2.87	3.52	4.24	5.07	5.97	7	-				
					43	2.59	3.17	3.82	4.57	-	-	-				
OP-MPXM057ML	114X4293	P00	A1	E	27	4.24	5.2	6.27	7.48	8.79	10.26	-	-	3.51	12	39
					32	3.89	4.78	5.76	6.88	8.1	9.47	-				
					38	3.45	4.24	5.12	6.13	7.23	8.47	-				
					43	3.07	3.77	4.56	5.47	-	-	-				
OP-MPIM057ML	114X4208	P00	A1+A2L	E	27	4.24	5.2	6.27	7.48	8.79	10.26	-	-	3.51	12	39
					32	3.89	4.78	5.76	6.88	8.1	9.47	-				
					38	3.45	4.24	5.12	6.13	7.23	8.47	-				
					43	3.07	3.77	4.56	5.47	-	-	-				
OP-MPXM057ML	114X4290	P00	A1	G	27	4.28	5.26	6.33	7.55	8.87	10.35	-	-	3.31	32	39
					32	3.95	4.85	5.85	6.97	8.2	9.57	-				
					38	3.54	4.35	5.23	6.24	7.34	8.58	-				
					43	3.19	3.91	4.7	5.61	-	-	-				
OP-MPIM057ML	114X4209	P00	A1+A2L	G	27	4.28	5.26	6.33	7.55	8.87	10.35	-	-	3.31	32	39
					32	3.95	4.85	5.85	6.97	8.2	9.57	-				
					38	3.54	4.35	5.23	6.24	7.34	8.58	-				
					43	3.19	3.91	4.7	5.61	-	-	-				

*Preliminary data

This table continues on the next page

MBP

(1) G - Compressor 230V/1~/50Hz, fan 230V/1~/50Hz

E - Compressor 400V/3~/50Hz, fan 230V/1~/50Hz

(2) Nominal conditions (EN13215), Evaporating temperatures at Mid point, Superheat 10K, Subcooling 0K

(3) Rated conditions (EN13215), Evaporating temperature (Mid point) -10°C, Ambient air temperature +32°C, Return Gas Temperature 20°C, Subcooling 0K



For regular updates and detailed capacities, please refer to **Coolselector®2** software



Model	Code	Version	Refrigerant group	Electrical code (1)	Tamb [°C]	Cooling capacity Q [kW] (2)							EcoDesign (3)		Min Fuse rating gL/gG (A)	Sound pressure level 10 m dB(A)
						Evaporating Temperature (Mid point) [°C]							COP	SEPR		
						-20°C	-15°C	-10°C	-5°C	0°C	5°C	10°C				
OP-MPXM068ML	114X4308	P00	A1	G	27	5.19	6.35	7.65	9.15	10.79	12.63	-	-	3.4	40	42
					32	4.8	5.87	7.07	8.46	9.98	11.7	-				
					38	4.31	5.27	6.35	7.6	8.98	10.55	-				
					43	3.9	4.76	5.73	6.86	-	-	-				
OP-MPIM068ML	114X4307	P00	A1+A2L	G	27	5.19	6.35	7.65	9.15	10.79	12.63	-	-	3.4	40	42
					32	4.8	5.87	7.07	8.46	9.98	11.7	-				
					38	4.31	5.27	6.35	7.6	8.98	10.55	-				
					43	3.9	4.76	5.73	6.86	-	-	-				
OP-MPXM068ML	114X4311	P00	A1	E	27	5.17	6.34	7.66	9.18	10.85	12.72	-	-	3.59	16	42
					32	4.77	5.86	7.08	8.49	10.04	11.79	-				
					38	4.29	5.26	6.36	7.63	9.04	10.64	-				
					43	3.87	4.75	5.74	6.89	-	-	-				
OP-MPIM068ML	114X4306	P00	A1+A2L	E	27	5.17	6.34	7.66	9.18	10.85	12.72	-	-	3.59	16	42
					32	4.77	5.86	7.08	8.49	10.04	11.79	-				
					38	4.29	5.26	6.36	7.63	9.04	10.64	-				
					43	3.87	4.75	5.74	6.89	-	-	-				
OP-MPXM080ML	114X4324	P00	A1	E	27	6.02	7.38	8.89	10.62	12.49	14.59	-	-	3.62	20	42
					32	5.52	6.78	8.18	9.79	11.55	13.52	-				
					38	4.89	6.03	7.3	8.76	10.37	12.17	-				
					43	4.35	5.38	6.54	7.87	-	-	-				
OP-MPIM080ML	114X4309	P00	A1+A2L	E	27	6.02	7.38	8.89	10.62	12.49	14.59	-	-	3.62	20	42
					32	5.52	6.78	8.18	9.79	11.55	13.52	-				
					38	4.89	6.03	7.3	8.76	10.37	12.17	-				
					43	4.35	5.38	6.54	7.87	-	-	-				
OP-MPXM080ML	114X4321	P00	A1	G	27	6.01	7.39	8.92	10.67	12.58	14.71	-	-	3.32	45	42
					32	5.53	6.8	8.22	9.85	11.63	13.63	-				
					38	4.92	6.07	7.35	8.82	10.45	12.27	-				
					43	4.41	5.44	6.6	7.93	-	-	-				
OP-MPIM080ML	114X4312	P00	A1+A2L	G	27	6.01	7.39	8.92	10.67	12.58	14.71	-	-	3.32	45	42
					32	5.53	6.8	8.22	9.85	11.63	13.63	-				
					38	4.92	6.07	7.35	8.82	10.45	12.27	-				
					43	4.41	5.44	6.6	7.93	-	-	-				
OP-MPXM108ML	114X4344	P00	A1	E	27	8.05	9.87	11.88	14.16	16.63	19.37	-	-	3.55	20	43
					32	7.35	9.03	10.89	13	15.3	17.85	-				
					38	6.49	7.98	9.63	11.54	13.62	15.94	-				
					43	5.74	7.07	8.55	10.27	-	-	-				
OP-MPIM108ML	114X4314	P00	A1+A2L	E	27	8.05	9.87	11.88	14.16	16.63	19.37	-	-	3.55	20	43
					32	7.35	9.03	10.89	13	15.3	17.85	-				
					38	6.49	7.98	9.63	11.54	13.62	15.94	-				
					43	5.74	7.07	8.55	10.27	-	-	-				
OP-MPXM108ML	114X4344	P00	A1	E	27	8.05	9.87	11.88	14.16	16.63	19.37	-	-	3.55	20	43
					32	7.35	9.03	10.89	13	15.3	17.85	-				
					38	6.49	7.98	9.63	11.54	13.62	15.94	-				
					43	5.74	7.07	8.55	10.27	-	-	-				
OP-MPIM108ML	114X4314	P00	A1+A2L	E	27	8.05	9.87	11.88	14.16	16.63	19.37	-	-	3.55	20	43
					32	7.35	9.03	10.89	13	15.3	17.85	-				
					38	6.49	7.98	9.63	11.54	13.62	15.94	-				
					43	5.74	7.07	8.55	10.27	-	-	-				

This table continues on the next page

MBP

(1) G - Compressor 230V/1~/50Hz, fan 230V/1~/50Hz

E - Compressor 400V/3~/50Hz, fan 230V/1~/50Hz

(2) Nominal conditions (EN13215), Evaporating temperatures at Mid point, Superheat 10K, Subcooling 0K

(3) Rated conditions (EN13215), Evaporating temperature (Mid point) -10°C, Ambient air temperature +32°C, Return Gas Temperature 20°C, Subcooling 0K



For regular updates and detailed capacities, please refer to **Coolselector®2** software



Model	Code	Version	Refrigerant group	Electrical code (1)	Tamb [°C]	Cooling capacity Q [kW] (2)							EcoDesign (3)		Min Fuse rating gL/gG (A)	Sound pressure level 10 m dB(A)
						Evaporating Temperature (Mid point) [°C]							COP	SEPR		
						-20°C	-15°C	-10°C	-5°C	0°C	5°C	10°C				
OP-MPXM108ML	114X4344	P00	A1	E	27	8.05	9.87	11.88	14.16	16.63	19.37	-	-	3.55	20	43
					32	7.35	9.03	10.89	13	15.3	17.85	-				
					38	6.49	7.98	9.63	11.54	13.62	15.94	-				
					43	5.74	7.07	8.55	10.27	-	-	-				
OP-MPIM108ML	114X4314	P00	A1+A2L	E	27	8.05	9.87	11.88	14.16	16.63	19.37	-	-	3.55	20	43
					32	7.35	9.03	10.89	13	15.3	17.85	-				
					38	6.49	7.98	9.63	11.54	13.62	15.94	-				
					43	5.74	7.07	8.55	10.27	-	-	-				
OP-MPXM125ML	114X4414	P00	A1	E	27	9.68	11.92	14.4	17.23	20.3	23.74	-	-	3.63	32	46
					32	8.87	10.95	13.25	15.89	18.75	21.97	-				
					38	7.86	9.73	11.81	14.2	16.81	19.76	-				
					43	6.98	8.67	10.55	12.73	-	-	-				
OP-MPXM162ML	114X4434	P00	A1	E	27	11.77	14.55	17.62	21.08	24.79	28.88	-	-	3.25	32	46
					32	10.71	13.29	16.17	19.42	22.92	26.78	-				
					38	9.37	11.7	14.31	17.29	20.53	24.1	-				
					43	8.21	10.33	12.66	15.4	-	-	-				
OP-MPIM125ML	114X4409	P00	A1 + A2L	E	27	9.76	11.97	14.46	17.25	20.33	23.70	-	-	3.63	32	46
					32	8.91	10.96	13.27	15.86	18.73	21.88	-				
					38	7.86	9.69	11.78	14.12	16.72	19.60	-				
					43	6.95	8.60	10.48	12.60	-	-	-				
OP-MPIM162ML	114X4410	P00	A1 + A2L	E	27	11.85	14.60	17.68	21.08	24.77	28.75	-	-	3.25	40	46
					32	10.74	13.28	16.17	19.36	22.79	26.52	-				
					38	9.35	11.64	14.24	17.17	20.32	23.74	-				
					43	8.15	10.22	12.54	15.23	-	-	-				

MBP
(1) G - Compressor 230V/1~/50Hz, fan 230V/1~/50Hz

E - Compressor 400V/3~/50Hz, fan 230V/1~/50Hz

(2) Nominal conditions (EN13215), Evaporating temperatures at Mid point, Superheat 10K, Subcooling 0K

(3) Rated conditions (EN13215), Evaporating temperature (Mid point) -10°C, Ambient air temperature +32°C, Return Gas Temperature 20°C, Subcooling 0K

 For regular updates and detailed capacities, please refer to **Coolselector®2** software


Model	Code	Version	Refrigerant group	Electrical code (1)	Tamb [°C]	Cooling capacity Q [kW] (2)							EcoDesign (3)		Min Fuse rating gL/gG (A)	Sound pressure level 10 m dB(A)
						Evaporating Temperature (Mid point) [°C]							COP	SEPR		
						-20°C	-15°C	-10°C	-5°C	0°C	5°C	10°C				
OP-MPTM008DY	114X4107	P00	A1 + A2L	G	27	0.59	0.75	0.93	1.12	1.32	1.54	-	2.06	-	6	31
					32	0.53	0.68	0.84	1.01	1.21	1.41	-				
					38	0.46	0.59	0.73	0.89	1.07	1.26	-				
					43	0.40	0.52	0.65	0.79	0.96	1.14	-				
OP-MPBM008DY	114X4119	P00	A1	G	27	0.59	0.75	0.93	1.12	1.32	1.54	-	2.06	-	6	31
					32	0.53	0.68	0.84	1.01	1.21	1.41	-				
					38	0.46	0.59	0.73	0.89	1.07	1.26	-				
					43	0.40	0.52	0.65	0.79	0.96	1.14	-				
OP-MPBM009DY	114X4120	P00	A1	G	27	0.66	0.83	1.01	1.22	1.43	1.67	-	2.01	-	8	31
					32	0.59	0.75	0.92	1.11	1.31	1.53	-				
					38	0.52	0.66	0.81	0.98	1.16	1.37	-				
					43	0.46	0.58	0.72	0.87	1.04	1.23	-				
OP-MPTM009DY	114X4111	P00	A1 + A2L	G	27	0.66	0.83	1.01	1.22	1.43	1.67	-	2.01	-	8	31
					32	0.59	0.75	0.92	1.11	1.31	1.53	-				
					38	0.52	0.66	0.81	0.98	1.16	1.37	-				
					43	0.46	0.58	0.72	0.87	1.04	1.23	-				
OP-MPTM012DP	114X4113	P00	A1 + A2L	G	27	0.89	1.11	1.35	1.60	1.87	2.15	-	1.83	-	8	31
					32	0.80	1.00	1.22	1.46	1.71	1.97	-				
					38	0.70	0.88	1.07	1.29	1.51	1.76	-				
					43	0.62	0.77	0.95	1.14	1.35	1.58	-				
OP-MPBM012DP	114X4121	P00	A1	G	27	0.89	1.11	1.35	1.60	1.87	2.15	-	1.83	-	8	31
					32	0.80	1.00	1.22	1.46	1.71	1.97	-				
					38	0.70	0.88	1.07	1.29	1.51	1.76	-				
					43	0.62	0.77	0.95	1.14	1.35	1.58	-				
OP-MPBM014DP	114X4122	P00	A1	G	27	0.92	1.15	1.40	1.68	1.98	2.29	-	1.73	-	8	31
					32	0.84	1.05	1.28	1.54	1.82	2.12	-				
					38	0.74	0.93	1.14	1.37	1.63	1.91	-				
					43	0.66	0.83	1.02	1.24	1.48	1.74	-				
OP-MPTM014DP	114X4114	P00	A1 + A2L	G	27	0.92	1.15	1.40	1.68	1.98	2.29	-	1.73	-	8	31
					32	0.84	1.05	1.28	1.54	1.82	2.12	-				
					38	0.74	0.93	1.14	1.37	1.63	1.91	-				
					43	0.66	0.83	1.02	1.24	1.48	1.74	-				
OP-MPTM018DX	114X4115	P00	A1 + A2L	G	27	0.96	1.21	1.47	1.76	2.07	2.40	-	1.64	-	10	39
					32	0.88	1.10	1.35	1.61	1.90	2.22	-				
					38	0.78	0.97	1.19	1.44	1.71	2.00	-				
					43	0.70	0.87	1.07	1.29	1.54	1.82	-				
OP-MPTM021DX*	114X4217	P00	A1 + A2L	G	27	1.12	1.40	1.70	2.02	2.37	-	-	1.64	-	10	39
					32	1.02	1.27	1.55	1.85	2.18	2.52	-				
					38	0.90	1.13	1.37	1.65	1.94	2.27	-				
					43	0.81	1.00	1.23	1.48	1.75	2.05	-				
OP-MPTM022DS	114X4237	P00	A1 + A2L	G	27	1.44	1.81	2.23	2.71	3.24	3.83	-	1.87	-	10	40
					32	1.29	1.63	2.02	2.46	2.95	3.49	-				
					38	1.10	1.41	1.76	2.16	2.60	3.09	-				
					43	0.95	1.24	1.56	1.91	2.31	2.75	-				
OP-MPTM026DS	114X4238	P00	A1 + A2L	G	27	1.73	2.18	2.67	3.18	3.74	4.32	-	1.75	-	16	38
					32	1.53	1.94	2.39	2.87	3.39	3.94	-				
					38	1.29	1.66	2.06	2.50	2.97	3.48	-				
					43	1.10	1.42	1.78	2.18	2.62	3.10	-				

*Preliminary data

This table continues on the next page

MBP

(1) G - Compressor 230V/1~/50Hz, fan 230V/1~/50Hz

E - Compressor 400V/3~/50Hz, fan 230V/1~/50Hz

(2) Nominal conditions (EN13215), Evaporating temperatures at Mid point, Superheat 10K, Subcooling 0K

(3) Rated conditions (EN13215), Evaporating temperature (Mid point) -10°C, Ambient air temperature +32°C, Return Gas Temperature 20°C, Subcooling 0K



For regular updates and detailed capacities, please refer to **Coolselector®2** software



Model	Code	Version	Refrigerant group	Electrical code (1)	Tamb [°C]	Cooling capacity Q [kW] (2)							EcoDesign (3)		Min Fuse rating gL/gG (A)	Sound pressure level 10 m dB(A)
						Evaporating Temperature (Mid point) [°C]							COP	SEPR		
						-20°C	-15°C	-10°C	-5°C	0°C	5°C	10°C				
OP-MPTM026DS	114X4239	P00	A1 + A2L	E	27	1.75	2.20	2.69	3.22	3.77	4.36	-	1.80	-	6	38
					32	1.54	1.96	2.41	2.90	3.42	3.97	-				
					38	1.31	1.67	2.08	2.52	3.00	3.51	-				
					43	1.11	1.44	1.80	2.21	2.65	3.13	-				
OP-MPTM034DS	114X4241	P00	A1 + A2L	G	27	1.68	2.31	3.04	3.87	4.81	5.84	-	1.71	-	20	39
					32	1.47	2.06	2.74	3.52	4.40	5.38	-				
					38	1.21	1.74	2.37	3.08	3.90	4.81	-				
					43	0.98	1.48	2.05	2.71	3.47	4.32	-				
OP-MPTM034DS	114X4242	P00	A1 + A2L	E	27	1.72	2.35	3.09	3.94	4.89	5.94	-	1.76	-	8	39
					32	1.50	2.09	2.79	3.58	4.47	5.47	-				
					38	1.23	1.77	2.41	3.14	3.96	4.89	-				
					43	1.00	1.50	2.09	2.76	3.53	4.40	-				
OP-MPXM034ML	114X4264	P00	A1	E	27	2.52	3.10	3.76	4.49	5.30	6.19	-	2.13	-	10	38
					32	2.27	2.81	3.42	4.10	4.85	5.67	-				
					38	1.94	2.44	2.99	3.60	4.28	5.02	-				
					43	1.65	2.11	2.62	3.17	3.79	4.47	-				
OP-MPIM034ML	114X4204	P00	A1+A2L	E	27	2.52	3.10	3.76	4.49	5.30	6.19	-	2.13	-	10	38
					32	2.27	2.81	3.42	4.10	4.85	5.67	-				
					38	1.94	2.44	2.99	3.60	4.28	5.02	-				
					43	1.65	2.11	2.62	3.17	3.79	4.47	-				
OP-MPXM034ML	114X4261	P00	A1	G	27	2.61	3.17	3.81	4.52	5.32	6.20	-	2.09	-	20	38
					32	2.39	2.91	3.50	4.17	4.91	5.73	-				
					38	2.11	2.58	3.12	3.72	4.40	5.16	-				
					43	1.88	2.31	2.79	3.35	3.98	4.68	-				
OP-MPIM034ML	114X4205	P00	A1+A2L	G	27	2.61	3.17	3.81	4.52	5.32	6.20	-	2.09	-	20	38
					32	2.39	2.91	3.50	4.17	4.91	5.73	-				
					38	2.11	2.58	3.12	3.72	4.40	5.16	-				
					43	1.88	2.31	2.79	3.35	3.98	4.68	-				
OP-MPTM038DS*	114X4218	P00	A1+A2L	G	27	1.81	2.49	3.27	4.17	5.18	6.30	-	1.67	-	20	39
					32	1.58	2.21	2.94	3.78	4.73	5.79	-				
					38	1.29	1.86	2.53	3.30	4.18	5.17	-				
					43	1.04	1.57	2.19	2.90	3.72	4.64	-				
OP-MPXM046ML	114X4284	P00	A1	E	27	3.43	4.15	4.96	5.86	6.85	7.94	-	2.04	-	12	38
					32	3.13	3.80	4.54	5.37	6.29	7.30	-				
					38	2.75	3.34	4.01	4.75	5.58	6.51	-				
					43	2.41	2.95	3.55	4.22	4.97	5.82	-				
OP-MPIM046ML	114X4206	P00	A1+A2L	E	27	3.43	4.15	4.96	5.86	6.85	7.94	-	2.04	-	12	38
					32	3.13	3.80	4.54	5.37	6.29	7.30	-				
					38	2.75	3.34	4.01	4.75	5.58	6.51	-				
					43	2.41	2.95	3.55	4.22	4.97	5.82	-				
OP-MPXM046ML	114X4281	P00	A1	G	27	3.47	4.21	5.03	5.95	6.96	8.05	-	2.00	-	32	38
					32	3.17	3.84	4.60	5.45	6.38	7.40	-				
					38	2.78	3.38	4.06	4.82	5.66	6.59	-				
					43	2.44	2.98	3.59	4.28	5.04	5.89	-				
OP-MPIM046ML	114X4207	P00	A1+A2L	G	27	3.47	4.21	5.03	5.95	6.96	8.05	-	2.00	-	32	38
					32	3.17	3.84	4.60	5.45	6.38	7.40	-				
					38	2.78	3.38	4.06	4.82	5.66	6.59	-				
					43	2.44	2.98	3.59	4.28	5.04	5.89	-				

*Preliminary data

This table continues on the next page

MBP

(1) **G** - Compressor 230V/1~/50Hz, fan 230V/1~/50Hz
E - Compressor 400V/3~/50Hz, fan 230V/1~/50Hz

(2) Nominal conditions (EN13215), Evaporating temperatures at Mid point, Superheat 10K, Subcooling 0K

(3) Rated conditions (EN13215), Evaporating temperature (Mid point) -10°C, Ambient air temperature +32°C, Return Gas Temperature 20°C, Subcooling 0K



For regular updates and detailed capacities, please refer to **Coolselector®2** software



Model	Code	Version	Refrigerant group	Electrical code (1)	Tamb [°C]	Cooling capacity Q [kW] (2)							EcoDesign (3)		Min Fuse rating gL/gG (A)	Sound pressure level 10 m dB(A)
						Evaporating Temperature (Mid point) [°C]							COP	SEPR		
						-20°C	-15°C	-10°C	-5°C	0°C	5°C	10°C				
OP-MPXM057ML	114X4293	P00	A1	E	27	4.02	4.86	5.81	6.86	8.01	9.25	-	-	3.05	12	39
					32	3.66	4.43	5.30	6.26	7.32	8.47	-				
					38	3.23	3.90	4.67	5.52	6.46	7.49	-				
					43	2.85	3.45	4.12	4.87	5.72	6.67	-				
OP-MPIM057ML	114X4208	P00	A1+A2L	E	27	4.02	4.86	5.81	6.86	8.01	9.25	-	-	3.05	12	39
					32	3.66	4.43	5.30	6.26	7.32	8.47	-				
					38	3.23	3.90	4.67	5.52	6.46	7.49	-				
					43	2.85	3.45	4.12	4.87	5.72	6.67	-				
OP-MPXM057ML	114X4290	P00	A1	G	27	4.02	4.87	5.81	6.87	8.02	9.26	-	-	2.95	32	39
					32	3.67	4.44	5.31	6.27	7.33	8.48	-				
					38	3.23	3.91	4.67	5.53	6.47	7.49	-				
					43	2.85	3.45	4.12	4.88	5.71	6.63	-				
OP-MPIM057ML	114X4209	P00	A1+A2L	G	27	4.02	4.87	5.81	6.87	8.02	9.26	-	-	2.95	32	39
					32	3.67	4.44	5.31	6.27	7.33	8.48	-				
					38	3.23	3.91	4.67	5.53	6.47	7.49	-				
					43	2.85	3.45	4.12	4.88	5.71	6.63	-				
OP-MPXM068ML	114X4311	P00	A1	E	27	5.32	6.50	7.85	9.38	11.08	12.95	-	-	3.81	16	42
					32	4.88	5.98	7.24	8.67	10.27	12.04	-				
					38	4.33	5.32	6.47	7.78	9.25	10.89	-				
					43	3.85	4.76	5.80	7.00	8.36	9.89	-				
OP-MPIM068ML	114X4306	P00	A1+A2L	E	27	5.32	6.50	7.85	9.38	11.08	12.95	-	-	3.89	16	42
					32	4.88	5.98	7.24	8.67	10.27	12.04	-				
					38	4.33	5.32	6.47	7.78	9.25	10.89	-				
					43	3.85	4.76	5.80	7.00	8.36	9.89	-				
OP-MPXM068ML	114X4308	P00	A1	G	27	5.33	6.51	7.86	9.38	11.08	12.96	-	-	3.73	40	42
					32	4.88	5.99	7.25	8.68	10.28	12.05	-				
					38	4.33	5.33	6.48	7.78	9.26	10.90	-				
					43	3.85	4.76	5.81	7.00	8.36	9.89	-				
OP-MPIM068ML	114X4307	P00	A1+A2L	G	27	5.33	6.51	7.86	9.38	11.08	12.96	-	-	3.81	40	42
					32	4.88	5.99	7.25	8.68	10.28	12.05	-				
					38	4.33	5.33	6.48	7.78	9.26	10.90	-				
					43	3.85	4.76	5.81	7.00	8.36	9.89	-				
OP-MPXM080ML	114X4321	P00	A1	G	27	6.11	7.52	9.10	10.83	12.70	14.69	-	-	3.38	45	42
					32	5.55	6.85	8.32	9.95	11.71	13.60	-				
					38	4.86	6.03	7.36	8.84	10.46	12.21	-				
					43	4.29	5.34	6.54	7.89	9.39	11.02	-				
OP-MPIM080ML	114X4312	P00	A1+A2L	G	27	6.11	7.52	9.10	10.83	12.70	14.69	-	-	3.43	45	42
					32	5.55	6.85	8.32	9.95	11.71	13.60	-				
					38	4.86	6.03	7.36	8.84	10.46	12.21	-				
					43	4.29	5.34	6.54	7.89	9.39	11.02	-				
OP-MPXM080ML	114X4324	P00	A1	E	27	6.28	7.62	9.14	10.85	12.76	14.84	-	-	3.77	20	42
					32	5.75	6.99	8.40	9.99	11.76	13.72	-				
					38	5.06	6.18	7.45	8.89	10.50	12.29	-				
					43	4.46	5.46	6.62	7.92	9.38	11.03	-				
OP-MPIM080ML	114X4309	P00	A1+A2L	E	27	6.28	7.62	9.14	10.85	12.76	14.84	-	-	3.85	20	42
					32	5.75	6.99	8.40	9.99	11.76	13.72	-				
					38	5.06	6.18	7.45	8.89	10.50	12.29	-				
					43	4.46	5.46	6.62	7.92	9.38	11.03	-				

This table continues on the next page

MBP

(1) G - Compressor 230V/1~/50Hz, fan 230V/1~/50Hz

E - Compressor 400V/3~/50Hz, fan 230V/1~/50Hz

(2) Nominal conditions (EN13215), Evaporating temperatures at Mid point, Superheat 10K, Subcooling 0K

(3) Rated conditions (EN13215), Evaporating temperature (Mid point) -10°C, Ambient air temperature +32°C, Return Gas Temperature 20°C, Subcooling 0K



For regular updates and detailed capacities, please refer to **Coolselector®2** software



Model	Code	Version	Refrigerant group	Electrical code (1)	Tamb [°C]	Cooling capacity Q [kW] (2)							EcoDesign (3)		Min Fuse rating gL/gG (A)	Sound pressure level 10 m dB(A)
						Evaporating Temperature (Mid point) [°C]							COP	SEPR		
						-20°C	-15°C	-10°C	-5°C	0°C	5°C	10°C				
OP-MPXM108ML	114X4344	P00	A1	E	27	7.91	9.55	11.37	13.38	15.59	18.02	-	-	3.35	20	43
					32	7.19	8.70	10.37	12.23	14.27	16.53	-				
					38	6.28	7.64	9.13	10.79	12.63	14.68	-				
					43	5.49	6.70	8.05	9.54	11.21	13.09	-				
OP-MPIM108ML	114X4314	P00	A1+A2L	E	27	7.91	9.55	11.37	13.38	15.59	18.02	-	-	3.40	20	43
					32	7.19	8.70	10.37	12.23	14.27	16.53	-				
					38	6.28	7.64	9.13	10.79	12.63	14.68	-				
					43	5.49	6.70	8.05	9.54	11.21	13.09	-				
OP-MPXM125ML	114X4414	P00	A1	E	27	9.48	11.66	14.09	16.79	19.77	22.99	-	-	3.50	32	46
					32	8.58	10.62	12.90	15.41	18.21	21.24	-				
					38	7.44	9.32	11.40	13.70	16.23	19.03	-				
					43	6.46	8.17	10.09	12.20	14.53	17.10	-				
OP-MPXM162ML	114X4434	P00	A1	E	27	12.60	15.10	17.82	20.79	24.04	27.58	-	-	3.24	32	46
					32	11.47	13.69	16.11	18.76	21.68	24.89	-				
					38	10.08	11.94	13.97	16.22	18.73	21.54	-				
					43	8.92	10.44	12.12	14.03	16.18	18.64	-				
OP-MPIM125ML	114X4409	P00	A1 + A2L	E	27	9.48	11.66	14.09	16.79	19.77	22.99	-	-	3.50	32	46
					32	8.58	10.62	12.90	15.41	18.21	21.24	-				
					38	7.44	9.32	11.40	13.70	16.23	19.03	-				
					43	6.46	8.17	10.09	12.20	14.53	17.10	-				
OP-MPIM162ML	114X4410	P00	A1 + A2L	E	27	12.60	15.10	17.82	20.79	24.04	27.58	-	-	3.24	40	46
					32	11.47	13.69	16.11	18.76	21.68	24.89	-				
					38	10.08	11.94	13.97	16.22	18.73	21.54	-				
					43	8.92	10.44	12.12	14.03	16.18	18.64	-				

MBP

(1) G - Compressor 230V/1~/50Hz, fan 230V/1~/50Hz

E - Compressor 400V/3~/50Hz, fan 230V/1~/50Hz

(2) Nominal conditions (EN13215), Evaporating temperatures at Mid point, Superheat 10K, Subcooling 0K

(3) Rated conditions (EN13215), Evaporating temperature (Mid point) -10°C, Ambient air temperature +32°C, Return Gas Temperature 20°C, Subcooling 0K



For regular updates and detailed capacities, please refer to **Coolselector®2** software



Model	Code	Version	Refrigerant group	Electrical code (1)	Tamb [°C]	Cooling capacity Q [kW] (2)							EcoDesign (3)		Min Fuse rating gL/gG (A)	Sound pressure level @ 10m dB(A)
						Evaporating Temperature (Mid point) [°C]							COP	SEPR		
						-20°C	-15°C	-10°C	-5°C	0°C	5°C	10°C				
OP-MPTM008DY	114X4107	P00	A1 + A2L	G	27	-	0.61	0.77	0.93	1.10	1.27	-	1.88	-	6	31
					32	-	0.54	0.68	0.83	0.98	1.15	-				
					38	-	0.45	0.57	0.71	0.85	1.00	-				
					43	-	-	0.49	0.61	0.74	0.88	-				
OP-MPTM009DY	114X4111	P00	A1 + A2L	G	27	-	0.73	0.89	1.06	1.25	1.44	-	1.89	-	8	31
					32	-	0.67	0.82	0.98	1.16	1.34	-				
					38	-	0.60	0.73	0.88	1.03	1.20	-				
					43	-	-	0.66	0.78	0.92	1.07	-				
OP-MPTM012DP	114X4113	P00	A1 + A2L	G	27	-	1.14	1.38	1.63	1.90	2.18	-	1.88	-	8	31
					32	-	1.02	1.24	1.48	1.72	1.99	-				
					38	-	0.89	1.08	1.29	1.52	1.76	-				
					43	-	-	0.95	1.14	1.35	1.57	-				
OP-MPTM014DP	114X4114	P00	A1 + A2L	G	27	-	1.20	1.45	1.72	2.00	2.30	-	1.80	-	8	31
					32	-	1.08	1.31	1.56	1.83	2.11	-				
					38	-	0.94	1.15	1.37	1.62	1.88	-				
					43	-	-	1.01	1.22	1.45	1.70	-				
OP-MPTM018DX	114X4115	P00	A1 + A2L	G	27	-	1.34	1.62	1.92	2.24	2.56	-	1.70	-	10	39
					32	-	1.21	1.46	1.74	2.03	2.34	-				
					38	-	1.04	1.28	1.53	1.80	2.08	-				
					43	-	-	1.12	1.35	1.60	1.87	-				
OP-MPTM021DX*	114X4217	P00	A1 + A2L	G	27	1.10	1.44	1.78	2.13	2.49	2.85	-	1.61	-	10	39
					32	0.99	1.29	1.61	1.93	2.26	2.60	-				
					38	0.85	1.12	1.40	1.70	2.00	2.31	-				
					43	0.74	0.98	1.24	1.51	1.78	2.07	-				
OP-MPTM022DS	114X4237	P00	A1 + A2L	G	27	-	1.81	2.21	2.65	3.14	3.67	-	1.89	-	10	40
					32	-	1.63	1.99	2.40	2.85	3.33	-				
					38	-	1.42	1.74	2.10	2.50	2.93	-				
					43	-	-	1.53	1.86	2.21	2.60	-				
OP-MPTM026DS	114X4238	P00	A1 + A2L	G	27	-	2.20	2.66	3.18	3.74	4.34	-	1.90	-	16	38
					32	-	1.98	2.41	2.88	3.39	3.93	-				
					38	-	1.73	2.10	2.52	2.97	3.46	-				
					43	-	-	1.85	2.22	2.63	3.06	-				
OP-MPTM026DS	114X4239	P00	A1 + A2L	E	27	-	2.22	2.69	3.21	3.77	4.38	-	1.95	-	6	38
					32	-	2.00	2.43	2.90	3.42	3.97	-				
					38	-	1.74	2.12	2.54	3.00	3.49	-				
					43	-	-	1.87	2.25	2.66	3.09	-				
OP-MPTM034DS	114X4241	P00	A1 + A2L	G	27	-	2.52	3.15	3.80	4.46	5.14	-	1.77	-	20	39
					32	-	2.27	2.84	3.43	4.04	4.67	-				
					38	-	1.97	2.47	3.00	3.54	4.12	-				
					43	-	-	2.17	2.64	3.13	3.66	-				
OP-MPTM034DS	114X4242	P00	A1 + A2L	E	27	-	2.54	3.17	3.82	4.49	5.17	-	1.82	-	8	39
					32	-	2.28	2.86	3.45	4.07	4.70	-				
					38	-	1.98	2.48	3.01	3.57	4.14	-				
					43	-	-	2.18	2.65	3.15	3.68	-				
OP-MPIM034ML	114X4205	P00	A1+A2L	G	27	2.67	3.29	4.00	4.81	5.71	6.70	-	2.46	-	20	38
					32	2.46	3.05	3.72	4.47	5.32	6.25	-				
					38	2.22	2.75	3.37	4.06	4.84	5.71	-				
					43	-	-	3.07	3.72	4.44	5.25	-				

*Preliminary data

This table continues on the next page

MBP

(1) G - Compressor 230V/1Ph/50Hz, fan 230V/1Ph/50Hz

E - Compressor 400V/3Ph/50Hz, fan 230V/1Ph/50Hz

(2) Nominal conditions (EN13215), Evaporating temperatures at Mid point, Superheat 10K, Subcooling 0K

(3) Rated conditions (EN13215), Evaporating temperature (Mid Point) -10°C, Ambient air temperature +32°C, Return Gas Temperature 20°C, Subcooling 0K



For regular updates and detailed capacities, please refer to **Coolselector®2** software



Model	Code	Version	Refrigerant group	Electrical code (1)	Tamb [°C]	Cooling capacity Q [kW] (2)							EcoDesign (3)		Min Fuse rating gL/gG (A)	Sound pressure level @ 10m dB(A)
						Evaporating Temperature (Mid point) [°C]							COP	SEPR		
						-20°C	-15°C	-10°C	-5°C	0°C	5°C	10°C				
OP-MPIM034ML	114X4204	P00	A1+A2L	E	27	2.69	3.31	4.02	4.83	5.74	6.75	-	2.54	-	20	38
					32	2.48	3.06	3.72	4.48	5.34	6.30	-				
					38	2.23	2.75	3.36	4.06	4.85	5.74	-				
					43	-	-	3.06	3.70	4.44	5.27	-				
OP-MPTM038DS*	114X4218	P00	A1+A2L	G	27	2.34	2.83	3.36	3.93	4.54	5.20	-	1.72	-	10	39
					32	2.12	2.58	3.09	3.64	4.23	4.87	-				
					38	1.87	2.30	2.77	3.29	3.86	4.47	-				
					43	1.66	2.06	2.51	3.01	3.55	4.14	-				
OP-MPIM046ML	114X4207	P00	A1+A2L	G	27	3.48	4.26	5.16	6.16	7.27	8.48	-	2.22	-	32	38
					32	3.20	3.94	4.77	5.71	6.75	7.90	-				
					38	2.87	3.54	4.30	5.16	6.12	7.18	-				
					43	-	-	3.90	4.69	5.58	6.57	-				
OP-MPIM046ML	114X4206	P00	A1+A2L	E	27	3.54	4.33	5.23	6.23	7.34	8.55	-	2.37	-	12	38
					32	3.24	3.98	4.82	5.76	6.80	7.93	-				
					38	2.89	3.56	4.32	5.18	6.13	7.18	-				
					43	-	-	3.90	4.69	5.57	6.54	-				
OP-MPIM057ML	114X4208	P00	A1+A2L	E	27	4.23	5.16	6.20	7.36	8.61	9.96	-	-	3.61	12	39
					32	3.85	4.72	5.69	6.76	7.93	9.20	-				
					38	3.40	4.18	5.06	6.03	7.11	8.27	-				
					43	-	-	4.53	5.42	6.40	7.48	-				
OP-MPIM057ML	114X4209	P00	A1+A2L	G	27	4.20	5.12	6.16	7.30	8.56	9.92	-	-	3.468	32	39
					32	3.85	4.70	5.66	6.73	7.90	9.18	-				
					38	3.43	4.19	5.06	6.02	7.09	8.25	-				
					43	-	-	4.54	5.42	6.39	7.46	-				
OP-MPIM068ML	114X4306	P00	A1+A2L	E	27	5.43	6.64	8.04	9.62	11.39	13.35	-	-	4.21	16	42
					32	4.99	6.13	7.43	8.92	10.59	12.44	-				
					38	4.47	5.50	6.70	8.06	9.60	11.33	-				
					43	-	-	6.07	7.33	8.76	10.37	-				
OP-MPIM068ML	114X4307	P00	A1+A2L	G	27	5.47	6.72	8.14	9.74	11.53	13.52	-	-	4.039	40	42
					32	5.04	6.20	7.53	9.04	10.72	12.60	-				
					38	4.51	5.58	6.80	8.18	9.75	11.50	-				
					43	-	-	6.18	7.46	8.92	10.56	-				
OP-MPIM080ML	114X4312	P00	A1+A2L	G	27	6.15	7.51	9.06	10.78	12.69	14.78	-	-	3.67	45	42
					32	5.70	6.97	8.41	10.02	11.81	13.77	-				
					38	5.15	6.31	7.62	9.10	10.74	12.54	-				
					43	-	-	6.96	8.31	9.83	11.50	-				
OP-MPIM080ML	114X4309	P00	A1+A2L	E	27	6.31	7.70	9.27	11.04	12.99	15.11	-	-	4.112	20	42
					32	5.80	7.09	8.56	10.21	12.05	14.05	-				
					38	5.18	6.35	7.69	9.21	10.90	12.76	-				
					43	-	-	6.96	8.36	9.93	11.66	-				
OP-MPIM108ML	114X4314	P00	A1+A2L	E	27	8.11	9.85	11.79	13.93	16.26	18.76	-	-	3.70	20	43
					32	7.41	9.02	10.83	12.82	14.99	17.33	-				
					38	6.56	8.02	9.65	11.45	13.43	15.58	-				
					43	-	-	8.65	10.30	12.11	14.09	-				
OP-MPIM125ML	114X4409	P00	A1 + A2L	E	27	10.06	12.21	14.63	17.29	20.25	23.43	-	-	3.94	32	46
					32	9.24	11.24	13.48	15.96	18.72	21.70	-				
					38	8.25	10.06	12.08	14.34	16.85	19.59	-				
					43	-	9.06	10.90	12.97	15.25	-	-				
OP-MPIM162ML	114X4410	P00	A1 + A2L	E	27	11.28	13.86	16.71	19.86	23.27	26.81	-	-	3.05	32	46
					32	10.17	12.55	15.20	18.13	21.30	24.63	-				
					38	8.82	10.96	13.36	15.98	18.88	22.00	-				
					43	7.69	9.62	11.79	14.18	16.82	19.69	-				

*Preliminary data

MBP

(1) **G** - Compressor 230V/1Ph/50Hz, fan 230V/1Ph/50Hz

E - Compressor 400V/3Ph/50Hz, fan 230V/1Ph/50Hz

(2) Nominal conditions (EN13215), Evaporating temperatures at Mid point, Superheat 10K, Subcooling 0K

(3) Rated conditions (EN13215), Evaporating temperature (Mid Point) -10°C, Ambient air temperature +32°C, Return Gas Temperature 20°C, Subcooling 0K



For regular updates and detailed capacities, please refer to **Coolselector®2** software



Model	Code	Version	Refrigerant group	Electrical code (1)	Tamb [°C]	Cooling capacity Q [kW] (2)							EcoDesign (3)		Min Fuse rating gL/gG (A)	Sound pressure level @ 10m dB(A)
						Evaporating Temperature (Mid point) [°C]							COP	SEPR		
						-20°C	-15°C	-10°C	-5°C	0°C	5°C	10°C				
OP-MPTM008DY	114X4107	P00	A1 + A2L	G	27	-	0.57	0.72	0.87	1.04	1.21	-	1.84	-	6	31
					32	-	0.50	0.63	0.78	0.93	1.09	-				
					38	-	0.42	0.54	0.67	0.80	0.95	-				
					43	-	-	0.46	0.57	0.70	0.84	-				
OP-MPTM009DY	114X4111	P00	A1 + A2L	G	27	-	0.63	0.78	0.95	1.11	1.29	-	1.82	-	8	31
					32	-	0.56	0.70	0.85	1.00	1.17	-				
					38	-	0.47	0.59	0.73	0.87	1.02	-				
					43	-	-	0.51	0.63	0.76	0.90	-				
OP-MPTM012DP	114X4113	P00	A1 + A2L	G	27	-	1.06	1.28	1.52	1.78	2.04	-	1.81	-	8	31
					32	-	0.95	1.16	1.38	1.61	1.86	-				
					38	-	0.83	1.01	1.21	1.42	1.65	-				
					43	-	-	0.89	1.07	1.26	1.47	-				
OP-MPTM014DP	114X4114	P00	A1 + A2L	G	27	-	1.09	1.33	1.58	1.85	2.13	-	1.71	-	8	31
					32	-	0.98	1.20	1.44	1.69	1.96	-				
					38	-	0.86	1.05	1.27	1.50	1.75	-				
					43	-	-	0.93	1.13	1.34	1.57	-				
OP-MPTM018DX	114X4115	P00	A1 + A2L	G	27	-	1.20	1.48	1.77	2.08	2.41	-	1.65	-	10	39
					32	-	1.07	1.32	1.59	1.88	2.19	-				
					38	-	0.92	1.14	1.38	1.64	1.92	-				
					43	-	-	0.99	1.20	1.44	1.70	-				
OP-MPTM021DX*	114X4217	P00	A1 + A2L	G	27	0.96	1.27	1.59	1.92	2.25	2.59	-	1.61	-	10	39
					32	0.86	1.14	1.44	1.74	2.05	2.37	-				
					38	0.75	1.00	1.26	1.53	1.82	2.11	-				
					43	0.65	0.88	1.11	1.36	1.62	1.90	-				
OP-MPTM022DS	114X4237	P00	A1 + A2L	G	27	-	1.61	2.05	2.56	3.14	3.77	-	1.97	-	10	40
					32	-	1.45	1.86	2.33	2.86	3.46	-				
					38	-	1.26	1.63	2.05	2.53	3.07	-				
					43	-	-	1.44	1.82	2.26	2.76	-				
OP-MPTM026DS	114X4238	P00	A1 + A2L	G	27	-	2.03	2.49	2.98	3.50	4.04	-	2.15	-	16	38
					32	-	1.80	2.22	2.68	3.16	3.67	-				
					38	-	1.53	1.91	2.32	2.76	3.23	-				
					43	-	-	1.65	2.02	2.42	2.86	-				
OP-MPTM026DS	114X4239	P00	A1 + A2L	E	27	-	2.04	2.50	2.99	3.51	4.06	-	2.20	-	6	38
					32	-	1.81	2.23	2.69	3.18	3.69	-				
					38	-	1.54	1.92	2.33	2.77	3.25	-				
					43	-	-	1.66	2.03	2.44	2.88	-				
OP-MPTM034DS	114X4241	P00	A1 + A2L	G	27	-	2.16	2.72	3.29	3.87	4.46	-	1.67	-	20	39
					32	-	1.95	2.45	2.97	3.51	4.06	-				
					38	-	1.69	2.13	2.59	3.07	3.57	-				
					43	-	-	1.87	2.28	2.71	3.17	-				
OP-MPTM034DS	114X4242	P00	A1 + A2L	E	27	-	2.18	2.73	3.31	3.89	4.49	-	1.71	-	8	39
					32	-	1.96	2.46	2.99	3.53	4.08	-				
					38	-	1.70	2.14	2.61	3.09	3.59	-				
					43	1.13	-	1.88	2.30	2.73	3.19	-				
OP-MPIM034ML	114X4204	P00	A1+A2L	E	27	2.44	3.01	3.67	4.42	5.27	6.21	-	2.50	-	10	38
					32	2.25	2.78	3.40	4.11	4.91	5.80	-				
					38	2.02	2.51	3.07	3.72	4.46	5.29	-				
					43	-	-	2.80	3.40	4.09	4.86	-				

*Preliminary data

This table continues on the next page

MBP

(1) **G** - Compressor 230V/1Ph/50Hz, fan 230V/1Ph/50Hz

E - Compressor 400V/3Ph/50Hz, fan 230V/1Ph/50Hz

(2) Nominal conditions (EN13215), Evaporating temperatures at Mid point, Superheat 10K, Subcooling 0K

(3) Rated conditions (EN13215), Evaporating temperature (Mid Point) -10°C, Ambient air temperature +32°C, Return Gas Temperature 20°C, Subcooling 0K



For regular updates and detailed capacities, please refer to **Coolselector®2** software



Model	Code	Version	Refrigerant group	Electrical code (1)	Tamb [°C]	Cooling capacity Q [kW] (2)							EcoDesign (3)		Min Fuse rating gL/gG (A)	Sound pressure level @ 10m dB(A)
						Evaporating Temperature (Mid point) [°C]							COP	SEPR		
						-20°C	-15°C	-10°C	-5°C	0°C	5°C	10°C				
OP-MPIM034ML	114X4205	P00	A1+A2L	G	27	2.48	3.07	3.74	4.50	5.36	6.31	-	2.42	-	20	38
					32	2.29	2.84	3.47	4.19	5.00	5.89	-				
					38	2.06	2.57	3.15	3.81	4.56	5.39	-				
					43	-	-	2.87	3.49	4.18	4.96	-				
OP-MPTM038DS*	114X4218	P00	A1+A2L	G	27	27	2.05	2.49	2.98	3.50	4.06	4.66	1.7	-	20	39
					32	32	1.87	2.28	2.74	3.24	3.79	4.37				
					38	38	1.64	2.03	2.46	2.94	3.46	4.02				
					43	43	1.46	1.82	2.23	2.69	3.18	3.73				
OP-MPIM046ML	114X4207	P00	A1+A2L	G	27	3.19	3.92	4.76	5.70	6.75	7.91	-	2.28	-	32	38
					32	2.94	3.62	4.40	5.29	6.27	7.37	-				
					38	2.64	3.26	3.97	4.78	5.69	6.71	-				
					43	-	-	3.61	4.36	5.20	6.15	-				
OP-MPIM046ML	114X4206	P00	A1+A2L	E	27	3.25	4.00	4.84	5.79	6.84	8.00	-	2.40	-	12	38
					32	2.99	3.68	4.47	5.35	6.34	7.43	-				
					38	2.67	3.29	4.01	4.82	5.73	6.74	-				
					43	-	-	3.62	4.37	5.21	6.15	-				
OP-MPIM057ML	114X4208	P00	A1+A2L	E	27	3.83	4.70	5.68	6.76	7.95	9.24	-	-	3.73	12	39
					32	3.49	4.30	5.21	6.23	7.34	8.55	-				
					38	3.08	3.82	4.65	5.57	6.59	7.71	-				
					43	-	-	4.17	5.02	5.96	6.99	-				
OP-MPIM057ML	114X4209	P00	A1+A2L	G	27	3.83	4.69	5.66	6.75	7.94	9.24	-	-	3.467	32	39
					32	3.52	4.32	5.22	6.23	7.34	8.56	-				
					38	3.15	3.86	4.67	5.59	6.60	7.71	-				
					43	-	-	4.21	5.04	5.97	6.99	-				
OP-MPIM068ML	114X4307	P00	A1+A2L	G	27	4.88	6.02	7.31	8.79	10.45	12.29	-	-	3.83	40	42
					32	4.50	5.56	6.78	8.16	9.73	11.47	-				
					38	4.03	5.00	6.12	7.40	8.84	10.47	-				
					43	-	-	5.57	6.75	8.10	9.62	-				
OP-MPIM068ML	114X4306	P00	A1+A2L	E	27	4.96	6.09	7.40	8.89	10.56	12.42	-	-	4.274	16	42
					32	4.57	5.63	6.85	8.25	9.82	11.58	-				
					38	4.10	5.06	6.18	7.46	8.92	10.56	-				
					43	-	-	5.61	6.79	8.15	9.69	-				
OP-MPIM080ML	114X4312	P00	A1+A2L	G	27	5.55	6.80	8.24	9.85	11.63	13.60	-	-	3.51	45	42
					32	5.14	6.32	7.66	9.17	10.85	12.70	-				
					38	4.65	5.73	6.95	8.34	9.88	11.59	-				
					43	-	-	6.35	7.63	9.05	10.64	-				
OP-MPIM080ML	114X4309	P00	A1+A2L	E	27	5.79	7.08	8.56	10.23	12.08	14.12	-	-	4.241	20	42
					32	5.32	6.53	7.91	9.48	11.22	13.14	-				
					38	4.76	5.86	7.12	8.56	10.17	11.95	-				
					43	-	-	6.45	7.77	9.27	10.93	-				
OP-MPIM108ML	114X4314	P00	A1+A2L	E	27	7.39	9.02	10.86	12.89	15.12	17.53	-	-	3.79	20	43
					32	6.77	8.29	9.99	11.88	13.96	16.23	-				
					38	6.02	7.38	8.93	10.65	12.55	14.63	-				
					43	-	-	8.03	9.60	11.35	13.27	-				
OP-MPIM125ML	114X4409	P00	A1 + A2L	E	27	8.75	10.69	12.88	15.33	18.04	21.00	-	-	3.86	32	46
					32	8.06	9.85	11.89	14.17	16.69	19.48	-				
					38	7.21	8.83	10.68	12.76	15.06	17.63	-				
					43	-	7.97	9.66	11.56	13.68	16.06	-				
OP-MPIM162ML	114X4410	P00	A1 + A2L	E	27	10.57	12.99	15.70	18.70	21.97	25.44	-	-	3.31	32	46
					32	9.57	11.82	14.33	17.13	20.19	23.50	-				
					38	8.36	10.38	12.66	15.19	17.99	21.04	-				
					43	-	9.17	11.24	13.55	16.12	18.93	-				

*Preliminary data

MBP

(1) **G** - Compressor 230V/1Ph/50Hz, fan 230V/1Ph/50Hz

E - Compressor 400V/3Ph/50Hz, fan 230V/1Ph/50Hz

(2) Nominal conditions (EN13215), Evaporating temperatures at Mid point, Superheat 10K, Subcooling 0K

(3) Rated conditions (EN13215), Evaporating temperature (Mid Point) -10°C, Ambient air temperature +32°C, Return Gas Temperature 20°C, Subcooling 0K



For regular updates and detailed capacities, please refer to **Coolselector®2** software



Application	Code number	Model number	Compressor Model	Electrical Code (1)	Refrigerant (2)	Condenser Coil			Fan		Receiver	Dimensions				Connection		Weight	
						Type	Airflow	Internal Volume	Number	Blade ø	Volume	Housing	Height	Width	Length	Suction valve	Liquid valve	Gross	Net
LBP	114X3118	OP-LPQM017DPP00G	DPT16LA	G	Q	A7	2200	0.39	1	365	1.3	H1	650	941	406	3/8"	3/8"	65	49
LBP	114X3225	OP-LPQM048NTP00G	NTZ048-5	G	Q	D7	3300	0.58	1	450	3.4	H2	813	1090	480	5/8"	3/8"	102	80
LBP	114X3233	OP-LPQM048NTP00E	NTZ048-4	E	Q	D7	3300	0.58	1	450	3.4	H2	813	1090	480	5/8"	3/8"	102	80
LBP	114X3241	OP-LPQM068NTP00G	NTZ068-5	G	Q	D7	3300	0.58	1	450	3.4	H2	813	1090	480	5/8"	3/8"	102	80
LBP	114X3249	OP-LPQM068NTP00E	NTZ068-4	E	Q	D7	3300	0.58	1	450	3.4	H2	813	1090	480	5/8"	3/8"	102	80
LBP	114X3357	OP-LPQM096NTP00E	NTZ096-4	E	Q	G7	5200	1.62	1	500	6.2	H3	965	1441	531	7/8"	1/2"	129	107
LBP	114X3371	OP-LPOM067LLP02E	LLZ013T4A	E	O	G7	5200	1.62	1	500	6.2	H3	965	1441	531	3/4"	1/2"	161	135
LBP	114X3372	OP-LPOM084LLP02E	LLZ015T4A	E	O	G7	5200	1.62	1	500	6.2	H3	965	1441	531	3/4"	1/2"	161	135
LBP	114X3373	OP-LPOM098LLP02E	LLZ018T4A	E	O	G7	5200	1.62	1	500	6.2	H3	965	1441	531	3/4"	1/2"	162	136
LBP	114X3485	OP-LPOM120LLP02E	LLZ024T4A	E	O	J7	9500	1.97	2	500	10	H4	966	1835	650	1 1/8"	3/4"	212	161
LBP	114X3486	OP-LPOM168LLP02E	LLZ034T4A	E	O	J7	9500	1.97	2	500	10	H4	966	1835	650	1 1/8"	3/4"	217	166
MBP	114X4119	OP-MPBM008DYP00G	DLY80RAb	G	B	A7	2200	0.39	1	365	1.3	H1	650	941	406	3/8"	1/4"	65	49
MBP	114X4120	OP-MPBM009DYP00G	DLY90RAb	G	B	A7	2200	0.39	1	365	1.3	H1	650	941	406	3/8"	1/4"	65	49
MBP	114X4121	OP-MPBM012DPP00G	DPT12RA	G	B	A7	2200	0.39	1	365	1.3	H1	650	941	406	3/8"	3/8"	65	49
MBP	114X4122	OP-MPBM014DPP00G	DPT14RA	G	B	A7	2200	0.39	1	365	1.3	H1	650	941	406	3/8"	3/8"	65	49
MBP	114X4261	OP-MPXM034MLP00G	MLZ015T5	G	X	D7	3300	0.58	1	450	3.4	H2	813	1090	480	3/4"	1/2"	109	87
MBP	114X4264	OP-MPXM034MLP00E	MLZ015T4	E	X	D7	3300	0.58	1	450	3.4	H2	813	1090	480	3/4"	1/2"	109	87
MBP	114X4281	OP-MPXM046MLP00G	MLZ021T5	G	X	D7	3300	0.58	1	450	3.4	H2	813	1090	480	3/4"	1/2"	109	87
MBP	114X4284	OP-MPXM046MLP00E	MLZ021T4	E	X	D7	3300	0.58	1	450	3.4	H2	813	1090	480	3/4"	1/2"	109	87
MBP	114X4290	OP-MPXM057MLP00G	MLZ026T5	G	X	D7	3300	0.58	1	450	3.4	H2	813	1090	480	3/4"	1/2"	109	87
MBP	114X4293	OP-MPXM057MLP00E	MLZ026T4	E	X	D7	3300	0.58	1	450	3.4	H2	813	1090	480	3/4"	1/2"	109	87
MBP	114X4308	OP-MPXM068MLP00G	MLZ030T5	G	X	G7	5200	1.62	1	500	6.2	H3	965	1441	531	7/8"	5/8"	137	101
MBP	114X4311	OP-MPXM068MLP00E	MLZ030T4	E	X	G7	5200	1.62	1	500	6.2	H3	965	1441	531	7/8"	5/8"	137	101
MBP	114X4321	OP-MPXM080MLP00G	MLZ038T5	G	X	G7	5200	1.62	1	500	6.2	H3	965	1441	531	7/8"	5/8"	137	101
MBP	114X4324	OP-MPXM080MLP00E	MLZ038T4	E	X	G7	5200	1.62	1	500	6.2	H3	965	1441	531	7/8"	5/8"	137	101
MBP	114X4344	OP-MPXM108MLP00E	MLZ048T4	E	X	G7	5200	1.62	1	500	6.2	H3	965	1441	531	7/8"	5/8"	137	101
MBP	114X4414	OP-MPXM125MLP00E	MLZ058T4	E	X	J7	9500	1.97	2	500	10	H4	966	1835	650	1 1/8"	3/4"	218	169
MBP	114X4434	OP-MPXM162MLP00E	MLZ076T4	E	X	J7	9500	1.97	2	500	10	H4	966	1835	650	1 1/8"	3/4"	218	169

- (1) G - Compressor 230V/1~/50Hz, fan 230V/1~/50Hz
 E - Compressor 400V/3~/50Hz, fan 230V/1~/50Hz
 (2) G - R134a, R513A
 X - R134a, R404A/R507, R407A, R407F, R449A, R448A, R513A, R452A
 B - R404A/R507, R448A, R449A, R452A
 Q - R404A/R507, R452A
 O - R404A/R507, R452A, R448A, R449A

Optyma™ Plus

Application	Code number	Model number	Compressor Model	Electrical Code (1)		Refrigerant (2)	Condenser Coil			Fan		Receiver	Dimensions				Connection		Weight	
				Type	Airflow		Internal Volume	Number	Blade ø	Volume	Housing	Height	Width	Length	Suction valve	Liquid valve	Gross	Net		
																			(m ² /h)	(dm ³)
LBP	114X3110	OP-LPVM016DPP00G	DPT16LA	G	V	A7	2200	0.39	1	365	1.3	H1	650	941	406	3/8"	3/8"	75	64	
LBP	114X3201	OP-LPVM026DSP00G	DST26NA	G	V	D7	3300	0.58	1	450	3.4	H2	813	1090	480	1/2"	3/8"	78	67	
LBP	114X3202	OP-LPVM034DSP00G	DST34LA	G	V	D7	3300	0.58	1	450	3.4	H2	813	1090	480	1/2"	3/8"	80	70	
LBP	114X3204	OP-LPVM048NTP00G	NTZ048-5	G	V	D7	3300	0.58	1	450	3.4	H2	813	1090	480	5/8"	3/8"	102	80	
LBP	114X3205	OP-LPVM048NTP00E	NTZ048-4	E	V	D7	3300	0.58	1	450	3.4	H2	813	1090	480	5/8"	3/8"	102	80	
LBP	114X3207	OP-LPVM068NTP00E	NTZ068-4	E	V	D7	3300	0.58	1	450	3.4	H2	813	1090	480	5/8"	3/8"	102	80	
LBP	114X3304	OP-LPKM067LLP02E	LLZ013T4B	E	K	G7	5200	1.62	1	560	6.2	H3	965	1441	531	3/4"	1/2"	161	135	
LBP	114X3305	OP-LPKM084LLP02E	LLZ015T4B	E	K	G7	5200	1.62	1	560	6.2	H3	965	1441	531	3/4"	1/2"	161	135	
LBP	114X3306	OP-LPKM098LLP02E	LLZ018T4B	E	K	G7	5200	1.62	1	560	6.2	H3	965	1441	531	3/4"	1/2"	162	136	
LBP	114X3405	OP-LPKM120LLP02E	LLZ024T4B	E	K	G7	9500	1.97	2	560	5+5	H4	966	1835	650	1 1/8"	3/4"	212	161	
LBP	114X3406	OP-LPKM168LLP02E	LLZ034T4B	E	K	G7	9500	1.97	2	560	5+5	H4	966	1835	650	1 1/8"	3/4"	217	166	
MBP	114X4107	OP-MPTM008DYP00G	DLY80Rab	G	T	A7	2200	0.39	1	365	1.3	H1	650	941	406	3/8"	3/8"	66	55	
MBP	114X4111	OP-MPTM009DYP00G	DLY90Rab	G	T	A7	2200	0.39	1	365	1.3	H1	650	941	406	3/8"	3/8"	66	55	
MBP	114X4113	OP-MPTM012DPP00G	DPT12RA	G	T	A7	2200	0.39	1	365	1.3	H1	650	941	406	3/8"	3/8"	66	55	
MBP	114X4114	OP-MPTM014DPP00G	DPT14RA	G	T	A7	2200	0.39	1	365	1.3	H1	650	941	406	3/8"	3/8"	66	55	
MBP	114X4115	OP-MPTM018DXP00G	DX18Tba	G	T	A7	2200	0.39	1	365	1.3	H1	650	941	406	1/2"	1/2"	66	55	
MBP	114X4217	OP-MPTM021DXP00G	DX21Tba	G	T	D7	3,300	0.58	1	450	3.4	H2	813	1090	480	1/2"	3/8"	78	67	
MBP	114X4237	OP-MPTM022DSP00G	DS22TB	G	T	D7	3300	0.58	1	450	3.4	H2	813	1090	480	1/2"	1/2"	78	67	
MBP	114X4238	OP-MPTM026DSP00G	DS26TB	G	T	D7	3300	0.58	1	450	3.4	H2	813	1090	480	1/2"	1/2"	78	67	
MBP	114X4239	OP-MPTM026DSP00E	DS26T3	E	T	D7	3300	0.58	1	450	3.4	H2	813	1090	480	1/2"	1/2"	78	67	
MBP	114X4243	OP-MPSM026CSP00G	CS26TB	G	S	D7	3300	0.58	1	450	3.4	H2	813	1090	480	1/2"	1/2"	78	67	
MBP	114X4244	OP-MPSM030CSP00G	CS30TB	G	S	D7	3300	0.58	1	450	3.4	H2	813	1090	480	1/2"	1/2"	80	70	
MBP	114X4241	OP-MPTM034DSP00G	DS34TB	G	T	D7	3300	0.58	1	450	3.4	H2	813	1090	480	1/2"	1/2"	80	70	
MBP	114X4242	OP-MPTM034DSP00E	DS34T3	E	T	D7	3300	0.58	1	450	3.4	H2	813	1090	480	1/2"	1/2"	80	70	
MBP	114X4204	OP-MPIM034MLP00E	MLZ015T4	E	I	D7	3300	0.58	1	450	3.4	H2	813	1090	480	3/4"	1/2"	109	87	
MBP	114X4205	OP-MPIM034MLP00G	MLZ015T5	G	I	D7	3300	0.58	1	450	3.4	H2	813	1090	480	3/4"	1/2"	109	87	
MBP	114X4218	OP-MPTM038DSP00G	DST38NA	G	T	D7	3,300	0.58	1	450	3.4	H2	813	1090	480	1/2"	3/8"	80	70	
MBP	114X4206	OP-MPIM046MLP00E	MLZ021T4	E	I	D7	3300	0.58	1	450	3.4	H2	813	1090	480	3/4"	1/2"	109	87	
MBP	114X4207	OP-MPIM046MLP00G	MLZ021T5	G	I	D7	3300	0.58	1	450	3.4	H2	813	1090	480	3/4"	1/2"	109	87	
MBP	114X4208	OP-MPIM057MLP00E	MLZ026T4	E	I	D7	3300	0.58	1	450	3.4	H2	813	1090	480	3/4"	1/2"	109	87	
MBP	114X4209	OP-MPIM057MLP00G	MLZ026T5	G	I	D7	3300	0.58	1	450	3.4	H2	813	1090	480	3/4"	1/2"	109	87	
MBP	114X4306	OP-MPIM068MLP00E	MLZ030T4	E	I	G7	5200	1.62	1	560	6.2	H3	965	1441	531	3/4"	5/8"	140	105	
MBP	114X4307	OP-MPIM068MLP00G	MLZ030T5	G	I	G7	5200	1.62	1	560	6.2	H3	965	1441	531	3/4"	5/8"	140	105	
MBP	114X4309	OP-MPIM080MLP00E	MLZ038T4	E	I	G7	5200	1.62	1	560	6.2	H3	965	1441	531	3/4"	5/8"	140	105	
MBP	114X4312	OP-MPIM080MLP00G	MLZ038T5	G	I	G7	5200	1.62	1	560	6.2	H3	965	1441	531	3/4"	5/8"	140	105	
MBP	114X4314	OP-MPIM108MLP00E	MLZ048T4	E	I	G7	5200	1.62	1	560	6.2	H3	965	1441	531	3/4"	5/8"	140	105	
MBP	114X4409	OP-MPIM125MLP00E	MLZ058T4	E	I	J7	9500	1.97	2	560	5+5	H4	966	1835	650	1 1/8"	3/4"	218	169	
MBP	114X4410	OP-MPIM162MLP00E	MLZ076T4	E	I	J7	9500	1.97	2	560	5+5	H4	966	1835	650	1 1/8"	3/4"	218	169	

- (1) G - Compressor 230V/1~/50Hz, fan 230V/1~/50Hz
- E - Compressor 400V/3~/50Hz, fan 230V/1~/50Hz
- (2) S - R134a, R513A & R1234yf
- T - R404A/R507, R455A, R454C, R448A/R449A, R452A ;
- V - R454C, R455A, R452A, R404A/R507;
- I - R404A / R507, R134a, R407A, R407F, R448A, R513A, R449A, R452A, R454C, R455A

Designation	LPQM017DP	LPQM026AJ	LPQM048NT	LPQM048NT	LPQM068NT	LPQM068NT	LPQM074FH	LPQM074FH
Code Number	114X3118	114X3216	114X3225	114X3233	114X3241	114X3249	114X3252	114X3253
Compressor Description	DPT16LA	CAJ2446Z	NTZ048-5	NTZ048-4	NTZ068-5	NTZ068-4	FH2511Z-XC	FH2511Z-XG
Oil (reference)	POE32	RL32HA/HT	175PZ-POE	175PZ-POE	175PZ-POE	175PZ-POE	RL32HA/HT	RL32HA/HT
Housing	H1	H2	H2	H2	H2	H2	H2	H2
Spare Parts								
Compressor single pack	123B6014	118U3992	120F0228	120F0226	120F0232	120F0230	118U5335	118U5336
Condenser	118U5217	118U5218	118U5218	118U5218	118U5218	118U5218	118U5218	118U5218
Discharge pressure sensor	118U4021	118U4021	118U4021	118U4021	118U4021	118U4021	118U4021	118U4021
Fan assembly	-	-	-	-	-	-	-	-
Fan blade	118U3480	118U3481	118U3481	118U3481	118U3481	118U3481	118U3481	118U3481
Fan capacitor	118U3296	118U3297	118U3297	118U3297	118U3297	118U3297	118U3297	118U3297
Fan cowl/grill	118U3483	118U3484	118U3484	118U3484	118U3484	118U3484	118U3484	118U3484
Fan motor	118U3477	118U3823	118U3823	118U3823	118U3823	118U3823	118U3823	118U3823
Filter drier	023Z5039	023Z5040	023Z5040	023Z5040	023Z5040	023Z5040	023Z5040	023Z5040
High-pressure switch	118U3718	118U3718	118U3718	118U3718	118U3718	118U3718	118U3718	118U3718
Liquid valve	009L7051	009L7051	009L7051	009L7051	009L7051	009L7051	009L7051	009L7051
Low-pressure switch	118U3720	118U3720	118U3720	118U3720	118U3720	118U3720	118U3720	118U3720
Receiver	118U4020	118U4012	118U4012	118U4012	118U4012	118U4012	118U4012	118U4012
Sight glass	014L0182	014L0172	014L0172	014L0172	014L0172	014L0172	014L0172	014L0172
Suction pressure sensor	118U4025	118U4025	118U4025	118U4025	118U4025	118U4025	118U4025	118U4025
Suction valve	009L7051	009L7051	009L7053	009L7053	009L7053	009L7053	009L7053	009L7053
Brass plug (3/8" NPT)	118U4037	118U4037	118U4037	118U4037	118U4037	118U4037	118U4037	118U4037
Electrical Spare Parts								
Crankcase heater	118U0051	118U0051	120Z0459	120Z0459	120Z0459	120Z0459	120Z0459	120Z0459
EMI Filter (Controller)	118U3974	118U3974	118U3974	118U3974	118U3974	118U3974	118U3974	118U3974
Optyma™ Plus Controller	118U3465	118U3465	118U3465	118U3465	118U3465	118U3465	118U3465	118U3465
Discharge temperature sensor	084N2007	084N2007	084N2007	084N2007	084N2007	084N2007	084N2007	084N2007
Ambient/Suction temperature sensor	084N0003	084N0003	084N0003	084N0003	084N0003	084N0003	084N0003	084N0003
Contact kit	118U3845	118U3845	118U3846	118U3845	118U3848	118U3845	118U3845	118U3845
Door handle + Shaft	118U3858	118U3858	118U3858	118U3858	118U3858	118U3858	118U3858	118U3858
Main switch kit	118U3853	118U3851	118U3852	118U3853	118U3854	118U3851	118U3853	118U3855
Module B+	-	-	-	-	-	-	-	-
Run capacitor	123B9219	-	8173041	-	8173041	-	-	-
Starting capacitor	123B9316	118U5191*	120Z0400	-	120Z0400	-	118U5199*	-
Starting relay	123B9151	-	8173022	-	8173022	-	-	-
Accessories (Not Premounted)								
Acoustic hood	-	-	120Z0575	120Z0575	120Z0575	120Z0575	-	-
Pressure Relief Valve	118U5304	118U5304	118U5304	118U5304	118U5304	118U5304	118U5304	118U5304
Fusible Plug(1/4")	118U5170	118U5170	118U5170	118U5170	118U5170	118U5170	118U5170	118U5170
Adap-Kool Accessories								
External Display & settings	084B8575	084B8575	084B8575	084B8575	084B8575	084B8575	084B8575	084B8575
Cable for EKA Displays 6 m	084B7299	084B7299	084B7299	084B7299	084B7299	084B7299	084B7299	084B7299
Mounting kit for EKA Display	084B8584	084B8584	084B8584	084B8584	084B8584	084B8584	084B8584	084B8584
MODBUS Communication Module	084B8571	084B8571	084B8571	084B8571	084B8571	084B8571	084B8571	084B8571
Lon-Bus Communication Module	084B8579	084B8579	084B8579	084B8579	084B8579	084B8579	084B8579	084B8579
Programming Key	084B8582	084B8582	084B8582	084B8582	084B8582	084B8582	084B8582	084B8582
Sheet Metal								
Top Panel	118U5121	118U5126	118U5126	118U5126	118U5126	118U5126	118U5126	118U5126
Fan Panel	118U5122	118U5127	118U5127	118U5127	118U5127	118U5127	118U5127	118U5127
Back Panel	118U5123	118U5128	118U5128	118U5128	118U5128	118U5128	118U5128	118U5128
Front Panel	118U5124	118U5129	118U5129	118U5129	118U5129	118U5129	118U5129	118U5129
Access Panel	118U5125	118U5130	118U5130	118U5130	118U5130	118U5130	118U5130	118U5130
Left side Panel	118U5163	118U5164	118U5164	118U5164	118U5164	118U5164	118U5164	118U5164
Fan Panel (LH)	-	-	-	-	-	-	-	-
Fan Panel (RH)	-	-	-	-	-	-	-	-

MCA - Minimum Circuit Ampacity
MCC - Max Continuous Current
LRA - Locked Rotor Amps
* - Spare part, Starting Kit

Designation	LPQM096NT	LPQM136NT	LPQM120LL	LPQM168LL	LPOM067LL	LPOM084LL	LPOM098LL	LPOM120LL	LPOM168LL
Code Number	114X3357	114X3365	114X3476	114X3482	114X3371	114X3372	114X3373	114X3485	114X3486
Compressor Description	NTZ096-4	NTZ136-4	LLZ024T4	LLZ034T4	LLZ013T4A	LLZ015T4A	LLZ018T4A	LLZ024T4A	LLZ034T4A
Oil (reference)	175PZ-POE	175PZ-POE	215PZ-POE46	215PZ-POE46	120Z0648	120Z0648	120Z0648	120Z0648	120Z0648
Housing	H3	H3	H4	H4	H3	H3	H3	H4	H4
Spare Parts									
Compressor single pack	120F0234	120F0236	121L9541	121L9543	121L9535	121L9537	121L9539	121L9541	121L9543
Condenser	118U5219	118U5219	118U5220	118U5220	118U5219	118U5219	118U5219	118U5220	118U5220
Discharge pressure sensor	118U4021	118U4021	118U4021	118U4021	118U4021	118U4021	118U4021	118U4021	118U4021
Fan assembly	118U3829	118U3829	118U3829	118U3829	118U3829	118U3829	118U3829	118U3829	118U3829
Fan blade	-	-	-	-	-	-	-	-	-
Fan capacitor	-	-	-	-	-	-	-	-	-
Fan cowl/grill	118U3485	118U3485	118U3485	118U3485	118U3485	118U3485	118U3485	118U3485	118U3485
Fan motor	-	-	-	-	-	-	-	-	-
Filter drier	023Z5044	023Z5044	023Z5046	023Z5046	023Z5044	023Z5044	023Z5044	023Z5046	023Z5046
High-pressure switch	118U3718	118U3718	118U3718	118U3718	118U3718	118U3718	118U3718	118U3718	118U3718
Liquid valve	009L7052	009L7052	009L7054	009L7054	009L7052	009L7052	009L7052	009L7054	009L7054
Low-pressure switch	118U3720	118U3720	118U3720	118U3720	118U3720	118U3720	118U3720	118U3720	118U3720
Receiver	118U4014	118U4014	118U4017	118U4017	118U4014	118U4014	118U4014	118U4017	118U4017
Sight glass	014L0173	014L0173	014L0175	014L0175	014L0173	014L0173	014L0173	014L0175	014L0175
Suction pressure sensor	118U4025	118U4025	118U4025	118U4025	118U4025	118U4025	118U4025	118U4025	118U4025
Suction valve	009L7055	009L7056	009L7056	009L7056	009L7054	009L7054	009L7054	009L7056	009L7056
Brass plug (3/8" NPT)	118U4037	118U4037	118U4037	118U4037	118U4037	118U4037	118U4037	118U4037	118U4037
Electrical Spare Parts									
Crankcase heater	120Z0459	120Z0459	120Z5040	120Z5040	120Z5040	120Z5040	120Z5040	120Z5040	120Z5040
EMI Filter (Controller)	118U3974	118U3974	118U3974	118U3974	118U3974	118U3974	118U3974	118U3974	118U3974
Optyma™ Plus Controller	118U3465	118U3465	118U3465	118U3465	118U3465	118U3465	118U3465	118U3465	118U3465
Discharge temperature sensor	084N2007	084N2007	084N2007	084N2007	084N2007	084N2007	084N2007	084N2007	084N2007
Ambient/Suction temperature sensor	084N0003	084N0003	084N0003	084N0003	084N0003	084N0003	084N0003	084N0003	084N0003
Contact kit	118U3846	118U3847	118U3848	118U3848	118U3846	118U3847	118U3847	118U3848	118U3849
Door handle + Shaft	118U3858	118U3858	118U3858	118U3858	118U3858	118U3858	118U3858	118U3858	118U3858
Main switch kit	118U3851	118U3852	118U3855	118U3856	118U3852	118U3852	118U3852	118U3855	118U3856
Module B+	-	-	-	-	118U4010	118U4010	118U4010	118U4010	118U4010
Run capacitor	-	-	-	-	-	-	-	-	-
Starting capacitor	-	-	-	-	-	-	-	-	-
Starting relay	-	-	-	-	-	-	-	-	-
Accessories (Not Premounted)									
Acoustic hood	120Z0575	120Z0575	120Z5053	120Z5055	120Z5052	120Z5052	120Z5052	120Z5053	120Z5055
Pressure Relief Valve	118U5304	118U5304	118U5304	118U5304	118U5304	118U5304	118U5304	118U5304	118U5304
Fusible Plug(1/4")	118U5170	118U5170	118U5170	118U5170	118U5170	118U5170	118U5170	118U5170	118U5170
Adap-Kool Accessories									
External Display & settings	084B8575	084B8575	084B8575	084B8575	084B8575	084B8575	084B8575	084B8575	084B8575
Cable for EKA Displays 6 m	084B7299	084B7299	084B7299	084B7299	084B7299	084B7299	084B7299	084B7299	084B7299
Mounting kit for EKA Display	084B8584	084B8584	084B8584	084B8584	084B8584	084B8584	084B8584	084B8584	084B8584
MODBUS Communication Module	084B8571	084B8571	084B8571	084B8571	084B8571	084B8571	084B8571	084B8571	084B8571
Lon-Bus Communication Module	084B8579	084B8579	084B8579	084B8579	084B8579	084B8579	084B8579	084B8579	084B8579
Programming Key	084B8582	084B8582	084B8582	084B8582	084B8582	084B8582	084B8582	084B8582	084B8582
Sheet Metal									
Top Panel	118U5131	118U5131	118U5136	118U5136	118U5131	118U5131	118U5131	118U5136	118U5136
Fan Panel	118U5132	118U5132	-	-	118U5132	118U5132	118U5132	-	-
Back Panel	118U5133	118U5133	118U5139	118U5139	118U5133	118U5133	118U5133	118U5139	118U5139
Front Panel	118U5134	118U5134	-	-	118U5134	118U5134	118U5134	-	-
Access Panel	118U5135	118U5135	118U5140	118U5140	118U5135	118U5135	118U5135	118U5140	118U5140
Left side Panel	118U5165	118U5165	118U5166	118U5166	118U5165	118U5165	118U5165	118U5166	118U5166
Fan Panel (LH)	-	-	118U5137	118U5137	-	-	-	118U5137	118U5137
Fan Panel (RH)	-	-	118U5138	118U5138	-	-	-	118U5138	118U5138

MCA - Minimum Circuit Ampacity
MCC - Max Continuous Current
LRA - Locked Rotor Amps
* - Spare part, Starting Kit

Designation	LPVM016MP	LPVM026MS	LPVM034MS	LPVM048NT	LPVM048NT	LPVM068NT
Code Number	114X3110	114X3201	114X3202	114X3204	114X3205	114X3207
Compressor Description	DPT16LA	DST26NA	DST34LA	NTZ048-5	NTZ048-4	NTZ068-4
Oil (reference)	POE 32	POE 46	POE 46	175PZ-POE	175PZ-POE	175PZ-POE
Housing	H1	H2	H2	H2	H2	H2
Spare Parts						
Compressor single pack	123B6014	123B6015	123B6016	120F0228	120F0226	120F0230
Condenser	118U5217	118U5218	118U5218	118U5218	118U5218	118U5218
Discharge pressure sensor	118U4021	118U4021	118U4021	118U4021	118U4021	118U4021
E-box Cable gland	118U5258	118U5258	118U5258	118U5258	118U5258	118U5258
Fan assembly	-	-	-	-	-	-
Fan blade	118U3480	118U3481	118U3481	118U3481	118U3481	118U3481
Fan capacitor	118U3296	118U3297	118U3297	118U3297	118U3297	118U3297
Fan cowl/grill	118U3483	118U3484	118U3484	118U3484	118U3484	118U3484
Fan motor	118U3477	118U3823	118U3823	118U3823	118U3823	118U3823
Filter drier	023Z5039	023Z5040	023Z5040	023Z5041	023Z5041	023Z5041
High-pressure switch	118U3718	118U3718	118U3718	118U3718	118U3718	118U3718
Liquid valve	009L7051	009L7051	009L7051	009L7051	009L7051	009L7051
Low-pressure switch	118U3720	118U3720	118U3720	118U3720	118U3720	118U3720
Non-Return Valve (Discharge line)	-	-	-	-	-	-
Receiver	118U5297	118U5298	118U5298	118U5298	118U5298	118U5298
Sight glass	014L0182	014L0172	014L0172	014L0173	014L0173	014L0173
Suction pressure sensor	118U4025	118U4025	118U4025	118U4025	118U4025	118U4025
Suction valve	009L7051	009L7052	009L7052	009L7053	009L7053	009L7053
Brass plug (3/8" NPT)	118U4037	118U4037	118U4037	118U4037	118U4037	118U4037
Electrical Spare Parts						
Crankcase heater	120Z0057	120Z0057	120Z0057	120Z0459	120Z0459	120Z0459
EMI Filter (Controller)	118U3974	118U3974	118U3974	118U3974	118U3974	118U3974
Optyma™ Plus Controller	118U3465	118U3465	118U3465	118U3465	118U3465	118U3465
Discharge temperature sensor	084N2007	084N2007	084N2007	084N2007	084N2007	084N2007
Ambient/Suction temperature sensor	084N0003	084N0003	084N0003	084N0003	084N0003	084N0003
Contactorkit	118U3845	118U3846	118U3858	118U3847	118U3845	118U3846
Door handle + Shaft	118U3858	118U3858	118U3858	118U3858	118U3858	118U3858
Main switch kit	118U3853	118U3851	118U3851	118U3852	118U3853	118U3851
Run capacitor	123B9219	123B9215	123B9226	8173041	-	-
Starting capacitor	123B9316	123B9304	123B9304	120Z0400	-	-
Starting relay	123B9151	123B9154	123B9154	8173022	-	-
Pressure Relief Valve	118U5304	118U5304	118U5304	118U5304	118U5304	118U5304
Acoustic hood	-	-	-	-	-	-
Adap-Kool Accessories						
External Display & settings	084B8575	084B8575	084B8575	084B8575	084B8575	084B8575
Cable for EKA Displays 6 m	084B7299	084B7299	084B7299	084B7299	084B7299	084B7299
Mounting kit for EKA Display	084B8584	084B8584	084B8584	084B8584	084B8584	084B8584
MODBUS Communication Module	084B8571	084B8571	084B8571	084B8571	084B8571	084B8571
Lon-Bus Communication Module	084B8579	084B8579	084B8579	084B8579	084B8579	084B8579
Programming Key	084B8582	084B8582	084B8582	084B8582	084B8582	084B8582
Sheet Metal						
Top Panel	118U5121	118U5126	118U5126	118U5126	118U5126	118U5126
Fan Panel	118U5122	118U5127	118U5127	118U5127	118U5127	118U5127
Back Panel	118U5123	118U5128	118U5128	118U5128	118U5128	118U5128
Front Panel	118U5283	118U5285	118U5285	118U5129	118U5129	118U5129
Access Panel	118U5284	118U5286	118U5286	118U5130	118U5130	118U5130
Left side Panel	118U5163	118U5164	118U5164	118U5164	118U5164	118U5164
Fan Panel (LH)	-	-	-	-	-	-
Fan Panel (RH)	-	-	-	-	-	-

MCA - Minimum Circuit Ampacity
MCC - Max Continuous Current
LRA - Locked Rotor Amps
* - Spare part, Starting Kit

Designation	LPKM067LL	LPKM084LL	LPKM098LL	LPOM120LL	LPOM168LL
Code Number	114X3304	114X3305	114X3306	114X3405	114X3406
Compressor Description	LLZ013T4B	LLZ015T4B	LLZ018T4B	LLZ024T4B	LLZ034T4B
Oil (reference)	120Z0648	120Z0648	120Z0648	120Z0648	120Z0648
Housing	H3	H3	H3	H4	H4
Spare Parts					
Compressor single pack	121L8455	121L8457	121L8459	121L8461	121L8463
Condenser	118U5219	118U5219	118U5219	118U5220	118U5220
Discharge pressure sensor	118U4021	118U4021	118U4021	118U4021	118U4021
E-box Cable gland	118U5258	118U5258	118U5258	118U5258	118U5258
Fan assembly	118U5296	118U5296	118U5296	118U5296	118U5296
Fan blade	-	-	-	-	-
Fan capacitor	-	-	-	-	-
Fan cowl/grill	118U3485	118U3485	118U3485	118U3485	118U3485
Fan motor	-	-	-	-	-
Filter drier	023Z5044	023Z5044	023Z5044	023Z5046	023Z5046
High-pressure switch	118U3718	118U3718	118U3718	118U3718	118U3718
Liquid valve	009L7052	009L7052	009L7052	009L7054	009L7054
Low-pressure switch	118U3720	118U3720	118U3720	118U3720	118U3720
Non-Return Valve (Discharge line)	-	-	-	020B1059	020B1059
Receiver	118U5299	118U5299	118U5299	118U5505 118U5514	118U5505 118U5514
Sight glass	014L0173	014L0173	014L0173	014L0175	014L0175
Suction pressure sensor	118U4025	118U4025	118U4025	118U4025	118U4025
Suction valve	009L7054	009L7054	009L7054	009L7056	009L7056
Brass plug (3/8" NPT)	118U4037	118U4037	118U4037	118U4037	118U4037
Electrical Spare Parts					
Crankcase heater	120Z5040	120Z5040	120Z5040	120Z5040	120Z5040
EMI Filter (Controller)	-	-	-	-	-
Optyma™ Plus Controller	118U3465	118U3465	118U3465	118U3465	118U3465
Discharge temperature sensor	084N2007	084N2007	084N2007	084N2007	084N2007
Ambient/Suction temperature sensor	084N0003	084N0003	084N0003	084N0003	084N0003
Contact kit	118U3846	118U3847	118U3847	118U3848	118U3895
Door handle + Shaft	118U3858	118U3858	118U3858	118U3858	118U3858
Main switch kit	118U3852	118U3852	118U3852	118U3852	118U3852
Run capacitor	-	-	-	-	-
Starting capacitor	-	-	-	-	-
Starting relay	-	-	-	-	-
Pressure Relief Valve	118U5304	118U5304	118U5304	118U5304	118U5304
Acoustic hood	120Z5052	120Z5052	120Z5052	120Z5053	120Z5055
Adap-Kool Accessories					
External Display & settings	084B8575	084B8575	084B8575	084B8575	084B8575
Cable for EKA Displays 6 m	084B7299	084B7299	084B7299	084B7299	084B7299
Mounting kit for EKA Display	084B8584	084B8584	084B8584	084B8584	084B8584
MODBUS Communication Module	084B8571	084B8571	084B8571	084B8571	084B8571
Lon-Bus Communication Module	084B8579	084B8579	084B8579	084B8579	084B8579
Programming Key	084B8582	084B8582	084B8582	084B8582	084B8582
Sheet Metal					
Top Panel	118U5131	118U5131	118U5131	118U5136	118U5136
Fan Panel	118U5332	118U5332	118U5332	-	-
Back Panel	118U5333	118U5333	118U5333	118U5139	118U5139
Front Panel	118U5328	118U5328	118U5328	-	-
Access Panel	-	-	-	118U5140	118U5140
Left side Panel	118U5165	118U5165	118U5165	118U5166	118U5166
Fan Panel (LH)	-	-	-	118U5137	118U5137
Fan Panel (RH)	-	-	-	118U5138	118U5138

MCA - Minimum Circuit Ampacity
MCC - Max Continuous Current
LRA - Locked Rotor Amps
* - Spare part, Starting Kit

Designation	DPYM008MY	DPYM009MY	DPYM012MP	DPYM014MP	MPOM024AJ	MPOM026AJ	MPOM026AJ	MPGM033AJ	MPOM034AJ
Code Number	114X4119	114X4120	114X4121	114X4122	114X4200	114X4212	114X4213	114X4220	114X4226
Compressor Description	DLY80RAB	DLY90RAB	DPT12RA	DPT14RA	CAJ9513Z	CAJ4517Z	TAJ4517Z	CAJ4511Y	CAJ4519Z
Oil (reference)	POE32	POE32	POE32	POE32	RL32HA/HT	RL32HA/HT	RL32HA/HT	RL32HA/HT	RL32HA/HT
Housing	H1	H1	H1	H1	H2	H2	H2	H2	H2
Spare Parts									
Compressor single pack	123B6003	123B6004	123B6005	123B6006	118U3995	118U3993	118U3991	118U3996	118U3994
Condenser	118U5217	118U5217	118U5217	118U5217	118U5218	118U5218	118U5218	118U5218	118U5218
Discharge pressure sensor	118U4021	118U4021	118U4021	118U4021	118U4021	118U4021	118U4021	118U4021	118U4021
Fan assembly	-	-	-	-	-	-	-	-	-
Fan blade	118U3480	118U3480	118U3480	118U3480	118U3481	118U3481	118U3481	118U3481	118U3481
Fan capacitor	118U3296	118U3296	118U3296	118U3296	118U3297	118U3297	118U3297	118U3297	118U3297
Fan cowling/grill	118U3483	118U3483	118U3483	118U3483	118U3484	118U3484	118U3484	118U3484	118U3484
Fan motor	118U3477	118U3477	118U3477	118U3477	118U3823	118U3823	118U3823	118U3823	118U3823
Filter drier	023Z5039	023Z5039	023Z5040	023Z5040	023Z5040	023Z5040	023Z5040	023Z5040	023Z5040
High-pressure switch	118U3718	118U3718	118U3718	118U3718	118U3718	118U3718	118U3718	118U3718	118U3718
Liquid valve	009L7050	009L7050	009L7051	009L7051	009L7022	009L7022	009L7022	009L7022	009L7022
Low-pressure switch	118U3720	118U3720	118U3720	118U3720	118U3720	118U3720	118U3720	118U3720	118U3720
Receiver	118U4020	118U4020	118U4020	118U4020	118U4012	118U4012	118U4012	118U4012	118U4012
Sight glass	014L0181	014L0181	014L0182	014L0182	014L0172	014L0172	014L0172	014L0172	014L0172
Suction pressure sensor	118U4025	118U4025	118U4025	118U4025	118U4025	118U4025	118U4025	118U4025	118U4025
Suction valve	009L7051	009L7051	009L7051	009L7051	009L7021	009L7021	009L7021	009L7021	009L7021
Brass plug (3/8" NPT)	118U4037	118U4037	118U4037	118U4037	118U4037	118U4037	118U4037	118U4037	118U4037
Electrical Spare Parts									
Crankcase heater	118U0051	118U0051	118U0051	118U0051	118U0051	118U0051	118U0051	118U0051	118U0051
EMI Filter (Controller)	118U3974	118U3974	118U3974	118U3974	118U3974	118U3974	118U3974	118U3974	118U3974
Optyma™ Plus Controller	118U3465	118U3465	118U3465	118U3465	118U3465	118U3465	118U3465	118U3465	118U3465
Discharge temperature sensor	084N2007	084N2007	084N2007	084N2007	084N2007	084N2007	084N2007	084N2007	084N2007
Ambient/Suction temperature sensor	084N0003	084N0003	084N0003	084N0003	084N0003	084N0003	084N0003	084N0003	084N0003
Contact kit	118U3845	118U3845	118U3845	118U3845	118U3846	118U3847	118U3845	118U3845	118U3847
Door handle + Shaft	118U3858	118U3858	118U3858	118U3858	118U3858	118U3858	118U3858	118U3858	118U3858
Main switch kit	118U3853	118U3853	118U3853	118U3851	118U3852	118U3852	118U3853	118U3851	118U3852
Run capacitor	123B9222*	123B9222*	123B9215	123B9226			-		
Starting capacitor	123B9315*	123B9315*	123B9315	123B9315	118U5198*	118U5195*	-	118U5194*	118U5196*
Starting relay	123B9133	123B9133	123B9151	123B9139			-		
Accessories (Not Premounted)									
Acoustic hood	-	-	-	-	-	-	-	-	-
Fusible Plug(1/4")	118U5170	118U5170	118U5170	118U5170	118U5170	118U5170	118U5170	118U5170	118U5170
Pressure Relief Valve	118U5304	118U5304	118U5304	118U5304	118U5304	118U5304	118U5304	118U5304	118U5304
Adap-Kool Accessories									
External Display & settings	084B8575	084B8575	084B8575	084B8575	084B8575	084B8575	084B8575	084B8575	084B8575
Cable for EKA Displays 6 m	084B7299	084B7299	084B7299	084B7299	084B7299	084B7299	084B7299	084B7299	084B7299
Mounting kit for EKA Display	084B8584	084B8584	084B8584	084B8584	084B8584	084B8584	084B8584	084B8584	084B8584
MODBUS Communication Module	084B8571	084B8571	084B8571	084B8571	084B8571	084B8571	084B8571	084B8571	084B8571
Lon-Bus Communication Module	084B8579	084B8579	084B8579	084B8579	084B8579	084B8579	084B8579	084B8579	084B8579
Programming Key	084B8582	084B8582	084B8582	084B8582	084B8582	084B8582	084B8582	084B8582	084B8582
Sheet Metal									
Top Panel	118U5121	118U5121	118U5121	118U5121	118U5126	118U5126	118U5126	118U5126	118U5126
Fan Panel	118U5122	118U5122	118U5122	118U5122	118U5127	118U5127	118U5127	118U5127	118U5127
Back Panel	118U5123	118U5123	118U5123	118U5123	118U5128	118U5128	118U5128	118U5128	118U5128
Front Panel	118U5124	118U5124	118U5124	118U5124	118U5129	118U5129	118U5129	118U5129	118U5129
Access Panel	118U5125	118U5125	118U5125	118U5125	118U5130	118U5130	118U5130	118U5130	118U5130
Left side Panel	118U5163	118U5163	118U5163	118U5163	118U5164	118U5164	118U5164	118U5164	118U5164
Fan Panel (LH)	-	-	-	-	-	-	-	-	-
Fan Panel (RH)	-	-	-	-	-	-	-	-	-

MCA - Minimum Circuit Ampacity
MCC - Max Continuous Current
LRA - Locked Rotor Amps
* - Spare part, Starting Kit

Designation	MPOM034AJ	MPOM018AJ	MPXM034ML	MPXM034ML	MPXM046ML	MPXM046ML	MPXM057ML	MPXM057ML	MPXM068ML
Code Number	114X4227	114X4230	114X4261	114X4264	114X4281	114X4284	114X4290	114X4293	114X4308
Compressor Description	TAJ4519Z	CAJ9510Z	MLZ015T5	MLZ015T4	MLZ021T5	MLZ021T4	MLZ026T5	MLZ026T4	MLZ030T5
Oil (reference)	RL32HA/HT	RL32HA/HT	215PZ-POE46	215PZ-POE46	215PZ-POE46	215PZ-POE46	215PZ-POE46	215PZ-POE46	215PZ-POE46
Housing	H2	H2	H2	H2	H2	H2	H2	H2	H3
Spare Parts									
Compressor single pack	118U3989	118U3988	121L8631	121L8629	121L8635	121L8633	121L8639	121L8637	121L8643
Condenser	118U5218	118U5218	118U5218	118U5218	118U5218	118U5218	118U5218	118U5218	118U5219
Discharge pressure sensor	118U4021	118U4021	118U4021	118U4021	118U4021	118U4021	118U4021	118U4021	118U4021
Fan assembly	-	-	-	-	-	-	-	-	118U3829
Fan blade	118U3481	118U3481	118U3481	118U3481	118U3481	118U3481	118U3481	118U3481	-
Fan capacitor	118U3297	118U3297	118U3297	118U3297	118U3297	118U3297	118U3297	118U3297	-
Fan cowl/grill	118U3484	118U3484	118U3484	118U3484	118U3484	118U3484	118U3484	118U3484	118U3485
Fan motor	118U3823	118U3823	118U3823	118U3823	118U3823	118U3823	118U3823	118U3823	-
Filter drier	023Z5040	023Z5040	023Z5041	023Z5041	023Z5041	023Z5041	023Z5041	023Z5041	023Z5045
High-pressure switch	118U3718	118U3718	118U3718	118U3718	118U3718	118U3718	118U3718	118U3718	118U3718
Liquid valve	009L7022	009L7022	009L7052	009L7052	009L7052	009L7052	009L7052	009L7052	009L7053
Low-pressure switch	118U3720	118U3720	118U3720	118U3720	118U3720	118U3720	118U3720	118U3720	118U3720
Receiver	118U4012	118U4012	118U4012	118U4012	118U4012	118U4012	118U4012	118U4012	118U4014
Sight glass	014L0172	014L0172	014L0173	014L0173	014L0173	014L0173	014L0173	014L0173	014L0174
Suction pressure sensor	118U4025	118U4025	118U4025	118U4025	118U4025	118U4025	118U4025	118U4025	118U4025
Suction valve	009L7021	009L7021	009L7054	009L7054	009L7054	009L7054	009L7054	009L7054	009L7055
Brass plug (3/8" NPT)	118U4037	118U4037	118U4037	118U4037	118U4037	118U4037	118U4037	118U4037	118U4037
Electrical Spare Parts									
Crankcase heater	118U0051	118U0051	120Z5040	120Z5040	120Z5040	120Z5040	120Z5040	120Z5040	120Z5040
EMI Filter (Controller)	118U3974	118U3974	118U3974	118U3974	118U3974	118U3974	118U3974	118U3974	118U3974
Optyma™ Plus Controller	118U3465	118U3465	118U3465	118U3465	118U3465	118U3465	118U3465	118U3465	118U3465
Discharge temperature sensor	084N2007	084N2007	084N2007	084N2007	084N2007	084N2007	084N2007	084N2007	084N2007
Ambient/Suction temperature sensor	084N0003	084N0003	084N0003	084N0003	084N0003	084N0003	084N0003	084N0003	084N0003
Contact kit	118U3845	118U3846	118U3848	118U3845	118U3848	118U3846	118U3849	118U3846	118U3849
Door handle + Shaft	118U3858	118U3858	118U3858	118U3858	118U3858	118U3858	118U3858	118U3858	118U3858
Main switch kit	118U3853	118U3851	118U3854	118U3851	118U3856	118U3852	118U3856	118U3852	118U3857
Run capacitor	-	-	8173231	-	120Z0051	-	120Z0051	-	8173233
Starting capacitor	-	118U5197*	120Z0399	-	120Z0399	-	120Z0399	-	120Z0040
Starting relay	-	-	120Z0394	-	120Z0394	-	120Z0394	-	120Z0394
Accessories (Not Premounted)									
Acoustic hood	-	-	120Z5083	120Z5043	120Z5043	120Z5043	120Z5043	120Z5043	120Z5044
Fusible Plug(1/4")	118U5170	118U5170	118U5170	118U5170	118U5170	118U5170	118U5170	118U5170	118U5170
Pressure Relief Valve	118U5304	118U5304	118U5304	118U5304	118U5304	118U5304	118U5304	118U5304	118U5304
Adap-Kool Accessories									
External Display & settings	084B8575	084B8575	084B8575	084B8575	084B8575	084B8575	084B8575	084B8575	084B8575
Cable for EKA Displays 6 m	084B7299	084B7299	084B7299	084B7299	084B7299	084B7299	084B7299	084B7299	084B7299
Mounting kit for EKA Display	084B8584	084B8584	084B8584	084B8584	084B8584	084B8584	084B8584	084B8584	084B8584
MODBUS Communication Module	084B8571	084B8571	084B8571	084B8571	084B8571	084B8571	084B8571	084B8571	084B8571
Lon-Bus Communication Module	084B8579	084B8579	084B8579	084B8579	084B8579	084B8579	084B8579	084B8579	084B8579
Programming Key	084B8582	084B8582	084B8582	084B8582	084B8582	084B8582	084B8582	084B8582	084B8582
Sheet Metal									
Top Panel	118U5126	118U5126	118U5126	118U5126	118U5126	118U5126	118U5126	118U5126	118U5131
Fan Panel	118U5127	118U5127	118U5127	118U5127	118U5127	118U5127	118U5127	118U5127	118U5132
Back Panel	118U5128	118U5128	118U5128	118U5128	118U5128	118U5128	118U5128	118U5128	118U5133
Front Panel	118U5129	118U5129	118U5129	118U5129	118U5129	118U5129	118U5129	118U5129	118U5134
Access Panel	118U5130	118U5130	118U5130	118U5130	118U5130	118U5130	118U5130	118U5130	118U5135
Left side Panel	118U5164	118U5164	118U5164	118U5164	118U5164	118U5164	118U5164	118U5164	118U5165
Fan Panel (LH)	-	-	-	-	-	-	-	-	-
Fan Panel (RH)	-	-	-	-	-	-	-	-	-

MCA - Minimum Circuit Ampacity
MCC - Max Continuous Current
LRA - Locked Rotor Amps
* - Spare part, Starting Kit

Designation	MPXM068ML	MPXM080ML	MPXM080ML	MPXM108ML	MPXM125ML	MPXM162ML
Code Number	114X4311	114X4321	114X4324	114X4344	114X4414	114X4434
Compressor Description	MLZ030T4	MLZ038T5	MLZ038T4	MLZ048T4	MLZ058T4	MLZ076T4
Oil (reference)	215PZ-POE46	215PZ-POE46	215PZ-POE46	215PZ-POE46	215PZ-POE46	215PZ-POE46
Housing	H3	H3	H3	H3	H4	H4
Spare Parts						
Compressor single pack	121L8641	121L8647	121L8645	121L8651	121L8653	121L8655
Condenser	118U5219	118U5219	118U5219	118U5219	118U5220	118U5220
Discharge pressure sensor	118U4021	118U4021	118U4021	118U4021	118U4021	118U4021
Fan assembly	118U3829	118U3829	118U3829	118U3829	118U3829	118U3829
Fan blade	-	-	-	-	-	-
Fan capacitor	-	-	-	-	-	-
Fan cowl/grill	118U3485	118U3485	118U3485	118U3485	118U3485	118U3485
Fan motor	-	-	-	-	-	-
Filter drier	023Z5045	023Z5045	023Z5045	023Z5045	023Z5046	023Z5046
High-pressure switch	118U3718	118U3718	118U3718	118U3718	118U3718	118U3718
Liquid valve	009L7053	009L7053	009L7053	009L7053	009L7054	009L7054
Low-pressure switch	118U3720	118U3720	118U3720	118U3720	118U3720	118U3720
Receiver	118U4014	118U4014	118U4014	118U4014	118U4017	118U4017
Sight glass	014L0174	014L0174	014L0174	014L0174	014L0175	014L0175
Suction pressure sensor	118U4025	118U4025	118U4025	118U4025	118U4025	118U4025
Suction valve	009L7055	009L7055	009L7055	009L7055	009L7056	009L7056
Brass plug (3/8" NPT)	118U4037	118U4037	118U4037	118U4037	118U4037	118U4037
Electrical Spare Parts						
Crankcase heater	120Z5040	120Z5040	120Z5040	120Z5040	120Z5040	120Z5040
EMI Filter (Controller)	118U3974	118U3974	118U3974	118U3974	118U3974	118U3974
Optyma™ Plus Controller	118U3465	118U3465	118U3465	118U3465	118U3465	118U3465
Discharge temperature sensor	084N2007	084N2007	084N2007	084N2007	084N2007	084N2007
Ambient/Suction temperature sensor	084N0003	084N0003	084N0003	084N0003	084N0003	084N0003
Contact kit	118U3847	118U3850	118U3847	118U3848	118U3847	118U3848
Door handle + Shaft	118U3858	118U3858	118U3858	118U3858	118U3858	118U3858
Main switch kit	118U3852	118U3857	118U3852	118U3854	118U3855	118U3856
Run capacitor	-	8173234	-	-	-	-
Starting capacitor	-	8173001	-	-	-	-
Starting relay	-	120Z0395	-	-	-	-
Accessories (Not Premounted)						
Acoustic hood	120Z5044	120Z5044	120Z5044	120Z5044	120Z5085	120Z5085
Fusible Plug(1/4")	118U5170	118U5170	118U5170	118U5170	118U5170	118U5170
Pressure Relief Valve	118U5304	118U5304	118U5304	118U5304	118U5304	118U5304
Adap-Kool Accessories						
External Display & settings	084B8575	084B8575	084B8575	084B8575	084B8575	084B8575
Cable for EKA Displays 6 m	084B7299	084B7299	084B7299	084B7299	084B7299	084B7299
Mounting kit for EKA Display	084B8584	084B8584	084B8584	084B8584	084B8584	084B8584
MODBUS Communication Module	084B8571	084B8571	084B8571	084B8571	084B8571	084B8571
Lon-Bus Communication Module	084B8579	084B8579	084B8579	084B8579	084B8579	084B8579
Programming Key	084B8582	084B8582	084B8582	084B8582	084B8582	084B8582
Sheet Metal						
Top Panel	118U5131	118U5131	118U5131	118U5131	118U5136	118U5136
Fan Panel	118U5132	118U5132	118U5132	118U5132	-	-
Back Panel	118U5133	118U5133	118U5133	118U5133	118U5139	118U5139
Front Panel	118U5134	118U5134	118U5134	118U5134	-	-
Access Panel	118U5135	118U5135	118U5135	118U5135	118U5140	118U5140
Left side Panel	118U5165	118U5165	118U5165	118U5165	118U5166	118U5166
Fan Panel (LH)	-	-	-	-	118U5137	118U5137
Fan Panel (RH)	-	-	-	-	118U5138	118U5138

MCA - Minimum Circuit Ampacity
MCC - Max Continuous Current
LRA - Locked Rotor Amps
* - Spare part, Starting Kit

Designation	MPIM034ML	MPIM034ML	MPIM046ML	MPIM046ML	MPIM057ML	MPIM057ML	MPIM068ML	MPIM068ML	MPIM080ML
Code Number	114X4204	114X4205	114X4206	114X4207	114X4208	114X4209	114X4306	114X4307	114X4309
Compressor Description	MLZ015T4	MLZ015T5	MLZ021T4	MLZ021T5	MLZ026T4	MLZ026T5	MLZ030T4	MLZ030T5	MLZ038T4
Oil (reference)	215PZ-POE46	215PZ-POE46	215PZ-POE46	215PZ-POE46	215PZ-POE46	215PZ-POE46	215PZ-POE46	215PZ-POE46	215PZ-POE46
Housing	H2	H2	H2	H2	H2	H2	H3	H3	H3
Spare Parts									
Compressor single pack	121L8421	121L8423	121L8429	121L8431	121L8433	121L8435	121L8437	121L8439	121L8441
Condenser	118U5218	118U5218	118U5218	118U5218	118U5218	118U5218	118U5219	118U5219	118U5219
Discharge pressure sensor	118U4021	118U4021	118U4021	118U4021	118U4021	118U4021	118U4021	118U4021	118U4021
E-box Cable gland	118U5258	118U5258	118U5258	118U5258	118U5258	118U5258	118U5258	118U5258	118U5258
Fan assembly	-	-	-	-	-	-	118U5296	118U5296	118U5296
Fan blade	118U3481	118U3481	118U3481	118U3481	118U3481	118U3481	-	-	-
Fan capacitor	118U3297	118U3297	118U3297	118U3297	118U3297	118U3297	-	-	-
Fan cowl/grill	118U3484	118U3484	118U3484	118U3484	118U3484	118U3484	118U3485	118U3485	118U3485
Fan motor	118U3823	118U3823	118U3823	118U3823	118U3823	118U3823	-	-	-
Filter drier	023Z5041	023Z5041	023Z5041	023Z5041	023Z5041	023Z5041	023Z5045	023Z5045	023Z5045
High-pressure switch	118U3718	118U3718	118U3718	118U3718	118U3718	118U3718	118U3718	118U3718	118U3718
Liquid valve	009L7052	009L7052	009L7052	009L7052	009L7052	009L7052	009L7053	009L7053	009L7053
Low-pressure switch	118U3720	118U3720	118U3720	118U3720	118U3720	118U3720	118U3720	118U3720	118U3720
Non-Return Valve (Discharge line)	-	-	-	-	-	-	-	-	-
Receiver	118U5298	118U5298	118U5298	118U5298	118U5298	118U5298	118U5299	118U5299	118U5299
Sight glass	014L0173	014L0173	014L0173	014L0173	014L0173	014L0173	014L0174	014L0174	014L0174
Suction pressure sensor	118U4025	118U4025	118U4025	118U4025	118U4025	118U4025	118U4025	118U4025	118U4025
Suction valve	009L7054	009L7054	009L7054	009L7054	009L7054	009L7054	009L7055	009L7055	009L7055
Brass plug (3/8" NPT)	118U4037	118U4037	118U4037	118U4037	118U4037	118U4037	118U4037	118U4037	118U4037
Electrical Spare Parts									
Crankcase heater	120Z5040	120Z5040	120Z5040	120Z5040	120Z5040	120Z5040	120Z5040	120Z5040	120Z5040
EMI Filter (Controller)	118U3974	118U3974	118U3974	118U3974	118U3974	118U3974	-	-	-
Optyma™ Plus Controller	118U3465	118U3465	118U3465	118U3465	118U3465	118U3465	118U3465	118U3465	118U3465
Discharge temperature sensor	084N2007	084N2007	084N2007	084N2007	084N2007	084N2007	084N2007	084N2007	084N2007
Ambient/Suction temperature sensor	084N2003	084N2003	084N2003	084N2003	084N2003	084N2003	084N0003	084N0003	084N0003
Contact kit	118U3845	118U3848	118U3846	118U3848	118U3846	118U3895	118U3847	118U3895	118U3847
Door handle + Shaft	118U3858	118U3858	118U3858	118U3858	118U3858	118U3858	118U3858	118U3858	118U3858
Main switch kit	118U3851	118U3854	118U3851	118U3856	118U3852	118U3856	118U3852	118U3587	118U3854
Run capacitor	-	8173231	-	120Z0051	-	120Z0051	-	8173233	-
Starting capacitor	-	120Z0399	-	120Z0399	-	120Z0399	-	120Z0400	-
Starting relay	-	120Z0394	-	120Z0394	-	120Z0394	-	120Z0394	-
Accessories (Not Premounted)									
Acoustic hood	120Z5043	120Z5043	120Z5043	120Z5043	120Z5043	120Z5043	120Z5084	120Z5084	120Z5084
Pressure Relief Valve	118U5304	118U5304	118U5304	118U5304	118U5304	118U5304	118U5304	118U5304	118U5304
Adap-Kool Accessories									
External Display & settings	084B8575	084B8575	084B8575	084B8575	084B8575	084B8575	084B8575	084B8575	084B8575
Cable for EKA Displays 6 m	084B7299	084B7299	084B7299	084B7299	084B7299	084B7299	084B7299	084B7299	084B7299
Mounting kit for EKA Display	084B8584	084B8584	084B8584	084B8584	084B8584	084B8584	084B8584	084B8584	084B8584
MODBUS Communication Module	084B8571	084B8571	084B8571	084B8571	084B8571	084B8571	084B8571	084B8571	084B8571
Lon-Bus Communication Module	084B8579	084B8579	084B8579	084B8579	084B8579	084B8579	084B8579	084B8579	084B8579
Programming Key	084B8582	084B8582	084B8582	084B8582	084B8582	084B8582	084B8582	084B8582	084B8582
Sheet Metal									
Top Panel	118U5126	118U5126	118U5126	118U5126	118U5126	118U5126	118U5131	118U5131	118U5131
Fan Panel	118U5127	118U5127	118U5127	118U5127	118U5127	118U5127	118U5332	118U5332	118U5332
Back Panel	118U5128	118U5128	118U5128	118U5128	118U5128	118U5128	118U5133	118U5133	118U5133
Front Panel	118U5129	118U5129	118U5129	118U5129	118U5129	118U5129	118U5134	118U5134	118U5134
Access Panel	118U5130	118U5130	118U5130	118U5130	118U5130	118U5130	118U5329	118U5329	118U5329
Left side Panel	118U5164	118U5164	118U5164	118U5164	118U5164	118U5164	118U5328	118U5328	118U5328
Fan Panel (LH)	-	-	-	-	-	-	-	-	-
Fan Panel (RH)	-	-	-	-	-	-	-	-	-

MCA - Minimum Circuit Ampacity
MCC - Max Continuous Current
LRA - Locked Rotor Amps
* - Spare part, Starting Kit

Designation	MPIM080ML	MPIM108ML	MPIM125ML	MPSM026CS	MPSM030CS	MPTM008DY	MPTM009DY	MPTM012DP	MPTM014DP
Code Number	114X4312	114X4314	114X4409	114X4243	114X4244	114X4107	114X4111	114X4113	114X4114
Compressor Description	MLZ038T5	MLZ048T4	MLZ058T4B	CS26TB	CS30TB	DLY80RAb	DLY90RAb	DPT12RA	DPT14RA
Oil (reference)	215PZ-POE46	215PZ-POE46	215PZ-POE46	POE 32	POE 32	POE32	POE32	POE32	POE32
Housing	H3	H3	H4	H2	H2	H1	H1	H1	H1
Spare Parts									
Compressor single pack	121L8443	121L8447	121L8449	123B6001	123B6002	123B6003	123B6004	123B6005	123B6006
Condenser	118U5219	118U5219	118U5220	118U5218	118U5218	118U5217	118U5217	118U5217	118U5217
Discharge pressure sensor	118U4021	118U4021	118U4021	118U4021	118U4021	118U4021	118U4021	118U4021	118U4021
E-box Cable gland	118U5258	118U5258	118U5258	118U5258	118U5258	118U5258	118U5258	118U5258	118U5258
Fan assembly	118U5296	118U5296	118U5296	-	-	-	-	-	-
Fan blade	-	-	-	118U3481	118U3481	118U3480	118U3480	118U3480	118U3480
Fan capacitor	-	-	-	118U3297	118U3297	118U3296	118U3296	118U3296	118U3296
Fan cowl/grill	118U3485	118U3485	118U3485	118U3484	118U3484	118U3483	118U3483	118U3483	118U3483
Fan motor	-	-	-	118U3823	118U3823	118U3477	118U3477	118U3477	118U3477
Filter drier	023Z5045	023Z5045	023Z5046	023Z5040	023Z5040	023Z5039	023Z5039	023Z5040	023Z5040
High-pressure switch	118U3718	118U3718	118U3718	118U3718	118U3718	118U3718	118U3718	118U3718	118U3718
Liquid valve	009L7053	009L7053	009L7054	009L7051	009L7051	009L7050	009L7050	009L7051	009L7051
Low-pressure switch	118U3720	118U3720	118U3720	118U3720	118U3720	118U3720	118U3720	118U3720	118U3720
Non-Return Valve (Discharge line)	-	-	120Z5046	-	-	-	-	-	-
Receiver	118U5299	118U5299	118U5505 118U5514	118U5298	118U5298	118U4069	118U4069	118U4069	118U4069
Sight glass	014L0174	014L0174	014L0175	014L0182	014L0182	014L0181	014L0181	014L0182	014L0182
Suction pressure sensor	118U4025	118U4025	118U4025	118U4025	118U4025	118U4025	118U4025	118U4025	118U4025
Suction valve	009L7055	009L7055	009L7056	009L7052	009L7052	009L7051	009L7051	009L7051	009L7051
Brass plug (3/8" NPT)	118U4037	118U4037	118U4037	118U4037	118U4037	118U4037	118U4037	118U4037	118U4037
Electrical Spare Parts									
Crankcase heater	120Z5040	120Z5040	120Z5040	-	118U0051	120Z0057	120Z0057	120Z0057	120Z0057
EMI Filter (Controller)	-	-	-	118U3974	118U3974	118U3974	118U3974	118U3974	118U3974
Optyma™ Plus Controller	118U3465	118U3465	118U3465	118U3465	118U3465	118U3465	118U3465	118U3465	118U3465
Discharge temperature sensor	084N2007	084N2007	084N2007	084N2007	084N2007	084N2007	084N2007	084N2007	084N2007
Ambient/Suction temperature sensor	084N0003	084N0003	084N0003	084N0003	084N0003	084N0003	084N0003	084N0003	084N0003
Contact kit	118U3868	118U3848	118U3847	118U3846	118U3846	118U3845	118U3845	118U3845	118U3845
Door handle + Shaft	118U3858	118U3858	118U3858	118U3858	118U3858	118U3858	118U3858	118U3858	118U3858
Main switch kit	118U3587	118U3854	118U3855	118U3851	118U3851	118U3853	118U3853	118U3853	118U3851
Run capacitor	8173234	-	-	-	123B9302	123B9222	123B9222	123B9215	123B9226
Starting capacitor	8173001	-	-	123B9304	123B9146	123B9315	123B9315	123B9315	123B9315
Starting relay	120Z0395	-	-	123B9146	-	123B9133	123B9133	123B9151	123B9151
Accessories (Not Premounted)									
Acoustic hood	120Z5084	120Z5084	120Z5085	-	-	-	-	-	-
Pressure Relief Valve	118U5304	118U5304	118U5304	118U5304	118U5304	118U5304	118U5304	118U5304	118U5304
Adap-Kool Accessories									
External Display & settings	084B8575	084B8575	084B8575	084B8575	084B8575	084B8575	084B8575	084B8575	084B8575
Cable for EKA Displays 6 m	084B7299	084B7299	084B7299	084B7299	084B7299	084B7299	084B7299	084B7299	084B7299
Mounting kit for EKA Display	084B8584	084B8584	084B8584	084B8584	084B8584	084B8584	084B8584	084B8584	084B8584
MODBUS Communication Module	084B8571	084B8571	084B8571	084B8571	084B8571	084B8571	084B8571	084B8571	084B8571
Lon-Bus Communication Module	084B8579	084B8579	084B8579	084B8579	084B8579	084B8579	084B8579	084B8579	084B8579
Programming Key	084B8582	084B8582	084B8582	084B8582	084B8582	084B8582	084B8582	084B8582	084B8582
Sheet Metal									
Top Panel	118U5131	118U5131	118U5131	118U5126	118U5126	118U5121	118U5121	118U5121	118U5121
Fan Panel	118U5332	118U5332	118U5332	118U5127	118U5127	118U5122	118U5122	118U5122	118U5122
Back Panel	118U5133	118U5133	118U5133	118U5128	118U5128	118U5123	118U5123	118U5123	118U5123
Front Panel	118U5134	118U5134	118U5134	118U5129	118U5129	118U5124	118U5124	118U5124	118U5124
Access Panel	118U5329	118U5329	118U5329	118U5286	118U5286	118U5284	118U5284	118U5284	118U5284
Left side Panel	118U5328	118U5328	118U5328	118U5164	118U5164	118U5163	118U5163	118U5163	118U5163
Fan Panel (LH)	-	-	-	-	-	-	-	-	-
Fan Panel (RH)	-	-	-	-	-	-	-	-	-

MCA - Minimum Circuit Ampacity
MCC - Max Continuous Current
LRA - Locked Rotor Amps
* - Spare part, Starting Kit

Designation	MPTM018DX	MPTM021DX	MPTM022DS	MPTM026DS	MPTM026DS	MPTM034DS	MPTM034DS	MPTM038DS	MPXM162ML
Code Number	114X4115	114X4217	114X4237	114X4238	114X4239	114X4241	114X4242	114X4218	114X4434
Compressor Description	DX18Tba	Dx21Tba	DS22TB	DS26TB	DS26T3	DS34TB	DS34T3	DST38NA	MLZ076T4B
Oil (reference)	POE32	POE 46	POE 46	POE 46	POE 46	POE 46	POE 46	POE 46	215PZ-POE46
Housing	H1	H2	H2	H2	H2	H2	H2	H2	H4
Spare Parts									
Compressor single pack	123B6007	123B6019	123B6008	123B6009	123B6011	123B6010	123B6012	123B6017	121L8453
Condenser	118U5217	118U5218	118U5218	118U5218	118U5218	118U5218	118U5218	118U5218	118U5220
Discharge pressure sensor	118U4021	118U4021	118U4021	118U4021	118U4021	118U4021	118U4021	118U4021	118U4021
E-box Cable gland	118U5258	118U5258	118U5258	118U5258	118U5258	118U5258	118U5258	118U5258	118U5258
Fan assembly	-	-	-	-	-	-	-	-	118U5296
Fan blade	118U3480	118U3481	118U3481	118U3481	118U3481	118U3481	118U3481	118U3481	-
Fan capacitor	118U3296	118U3297	118U3297	118U3297	118U3297	118U3297	118U3297	118U3297	-
Fan cowl/grill	118U3483	118U3484	118U3484	118U3484	118U3484	118U3484	118U3484	118U3484	118U3485
Fan motor	118U3477	118U3823	118U3823	118U3823	118U3823	118U3823	118U3823	118U3823	-
Filter drier	023Z5040	023Z5040	023Z5040	023Z5040	023Z5040	023Z5040	023Z5040	023Z5040	023Z5046
High-pressure switch	118U3718	118U3718	118U3718	118U3718	118U3718	118U3718	118U3718	118U3718	118U3718
Liquid valve	009L7051	009L7052	009L7051	009L7051	009L7051	009L7051	009L7051	009L7052	009L7054
Low-pressure switch	118U3720	118U3720	118U3720	118U3720	118U3720	118U3720	118U3720	118U3720	118U3720
Non-Return Valve (Discharge line)	-	-	-	-	-	-	-	-	120Z5046
Receiver	118U4069	118U5251	118U5298	118U5298	118U5298	118U5298	118U5298	118U5251	118U5505 118U5514
Sight glass	014L0182	014L0182	014L0182	014L0182	014L0182	014L0182	014L0182	014L0182	014L0175
Suction pressure sensor	118U4025	118U4025	118U4025	118U4025	118U4025	118U4025	118U4025	118U4025	118U4025
Suction valve	009L7051	009L7052	009L7052	009L7052	009L7052	009L7052	009L7052	009L7052	009L7056
Brass plug (3/8" NPT)	118U4037	118U4037	118U4037	118U4037	118U4037	118U4037	118U4037	118U4037	118U4037
Electrical Spare Parts									
Crankcase heater	120Z0057	120Z0057	120Z0057	120Z0057	120Z0057	120Z0057	120Z0057	120Z0057	120Z5040
EMI Filter (Controller)	118U3974	118U3974	118U3974	118U3974	118U3974	118U3974	118U3974	118U3974	-
Optyma™ Plus Controller	118U3465	118U3465	118U3465	118U3465	118U3465	118U3465	118U3465	118U3465	118U3465
Discharge temperature sensor	084N2007	084N2007	084N2007	084N2007	084N2007	084N2007	084N2007	084N2007	084N2007
Ambient/Suction temperature sensor	084N0003	084N0003	084N0003	084N0003	084N0003	084N0003	084N0003	084N0003	084N0003
Contact kit	118U3846	118U3846	118U3846	118U3847	118U3845	118U3848	118U3845	118U3845	118U3848
Door handle + Shaft	118U3858	118U3858	118U3858	118U3858	118U3858	118U3858	118U3858	118U3858	118U3858
Main switch kit	118U3851	118U3851	118U3851	118U3852	118U3853	118U3854	118U3851	118U3851	118U3856
Run capacitor	123B9219	123B9215	123B9215	123B9215	123B9215	123B9226	-	123B9226	-
Starting capacitor	123B9321	123B9302	123B9302	123B9304	123B9304	123B9304	-	123B9304	-
Starting relay	123B9159	123B9154	123B9154	123B9154	123B9154	123B9154	-	123B9154	-
Accessories (Not Premounted)									
Acoustic hood	-	-	-	-	-	-	-	-	120Z5085
Pressure Relief Valve	118U5304	118U5304	118U5304	118U5304	118U5304	118U5304	118U5304	118U5304	118U5304
Adap-Kool Accessories									
External Display & settings	084B8575	084B8575	084B8575	084B8575	084B8575	084B8575	084B8575	084B8575	084B8575
Cable for EKA Displays 6 m	084B7299	084B7299	084B7299	084B7299	084B7299	084B7299	084B7299	084B7299	084B7299
Mounting kit for EKA Display	084B8584	084B8584	084B8584	084B8584	084B8584	084B8584	084B8584	084B8584	084B8584
MODBUS Communication Module	084B8571	084B8571	084B8571	084B8571	084B8571	084B8571	084B8571	084B8571	084B8571
Lon-Bus Communication Module	084B8579	084B8579	084B8579	084B8579	084B8579	084B8579	084B8579	084B8579	084B8579
Programming Key	084B8582	084B8582	084B8582	084B8582	084B8582	084B8582	084B8582	084B8582	084B8582
Sheet Metal									
Top Panel	118U5121	118U5126	118U5126	118U5126	118U5126	118U5126	118U5126	118U5126	118U5131
Fan Panel	118U5122	118U5127	118U5127	118U5127	118U5127	118U5127	118U5127	118U5127	118U5332
Back Panel	118U5123	118U5128	118U5128	118U5128	118U5128	118U5128	118U5128	118U5128	118U5133
Front Panel	118U5124	118U5129	118U5129	118U5129	118U5129	118U5129	118U5129	118U5129	118U5134
Access Panel	118U5284	118U5286	118U5286	118U5286	118U5286	118U5286	118U5286	118U5286	118U5329
Left side Panel	118U5163	118U5164	118U5164	118U5164	118U5164	118U5164	118U5164	118U5164	118U5328
Fan Panel (LH)	-	-	-	-	-	-	-	-	-
Fan Panel (RH)	-	-	-	-	-	-	-	-	-

MCA - Minimum Circuit Ampacity
MCC - Max Continuous Current
LRA - Locked Rotor Amps
* - Spare part, Starting Kit

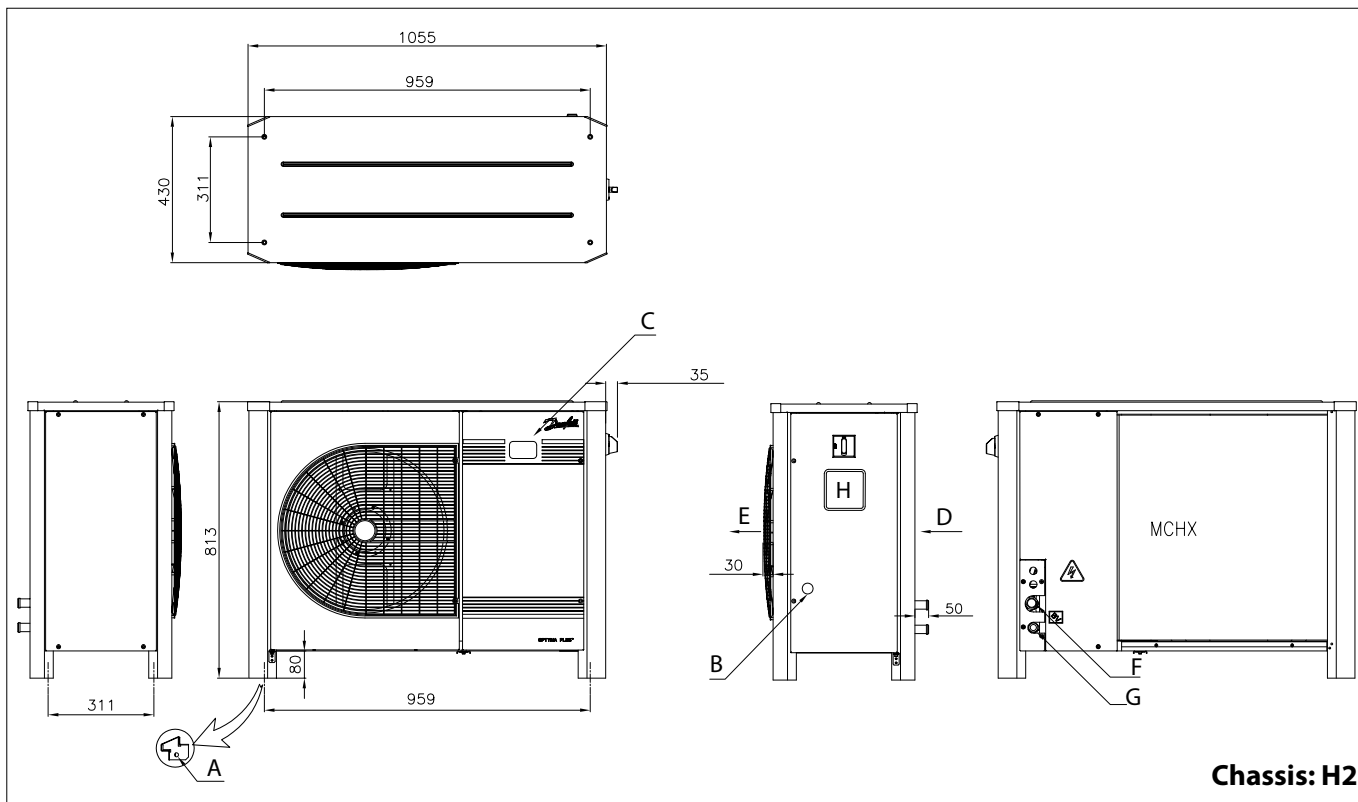
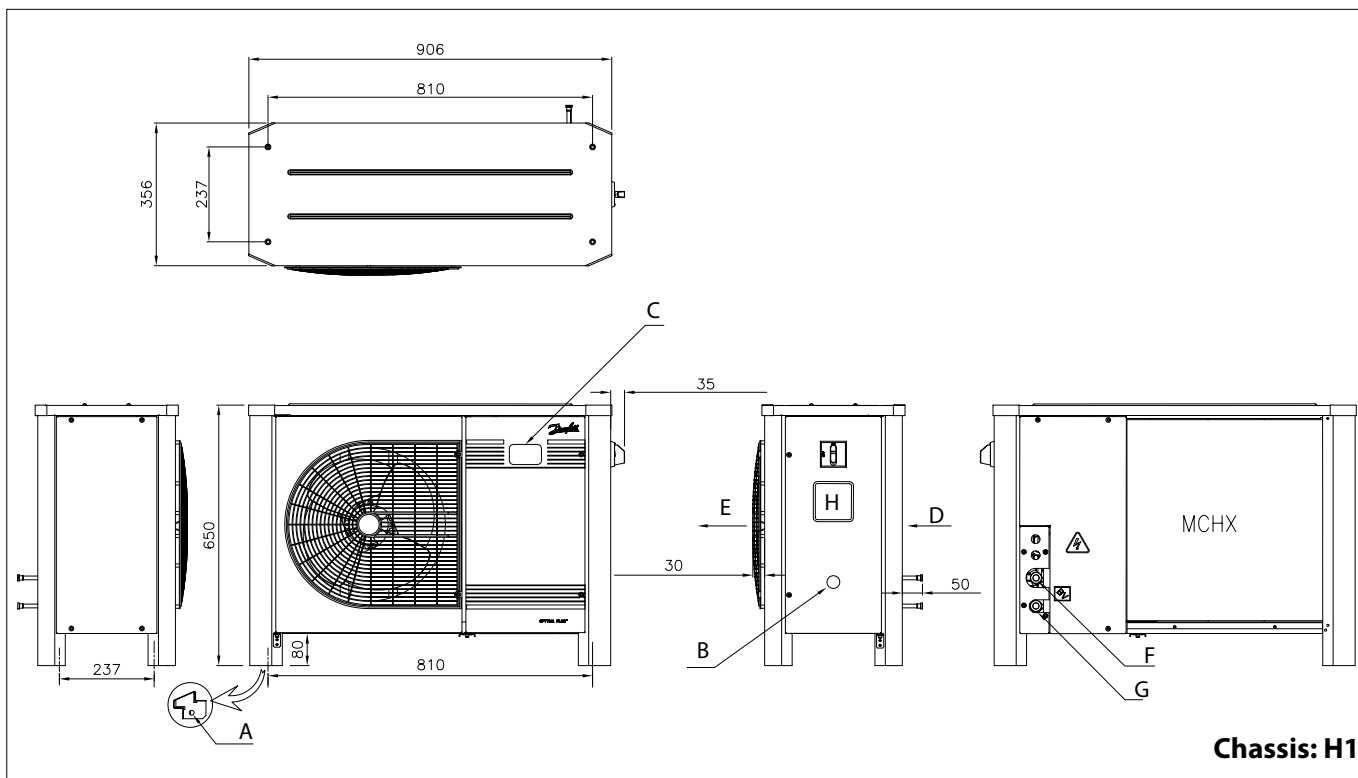
Optyma™ Plus

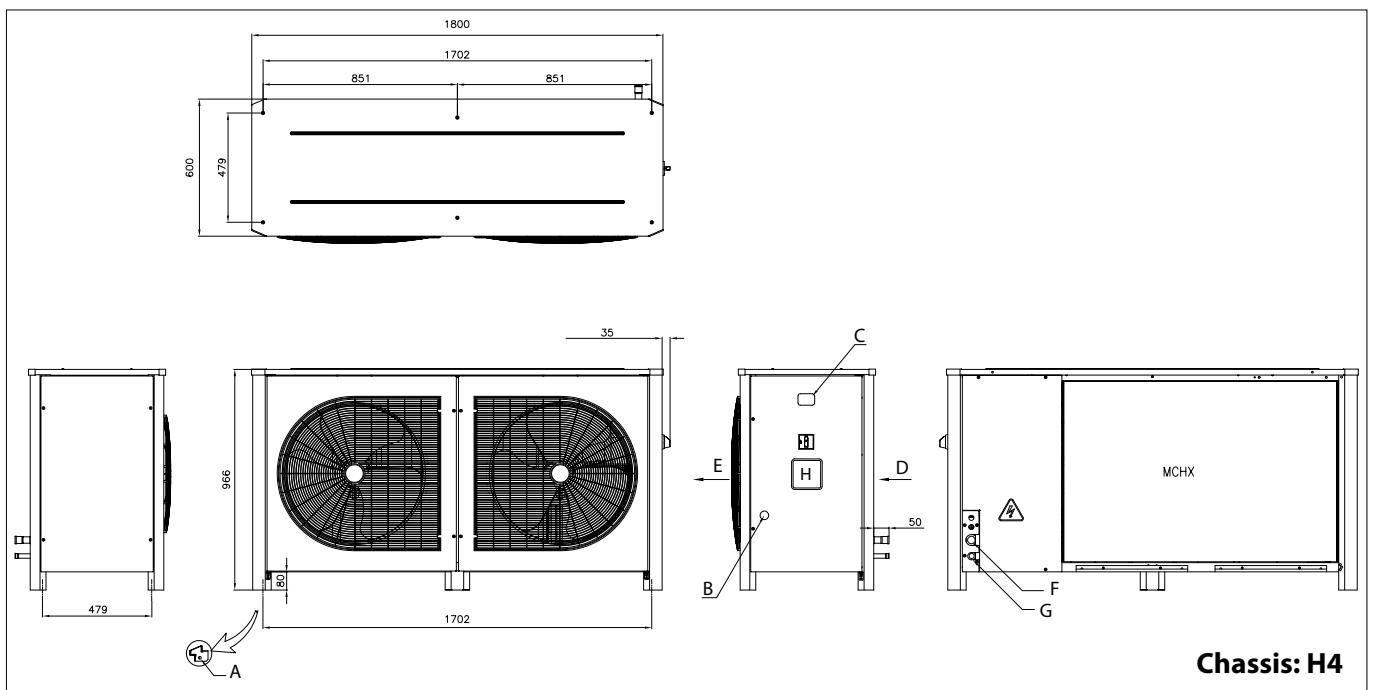
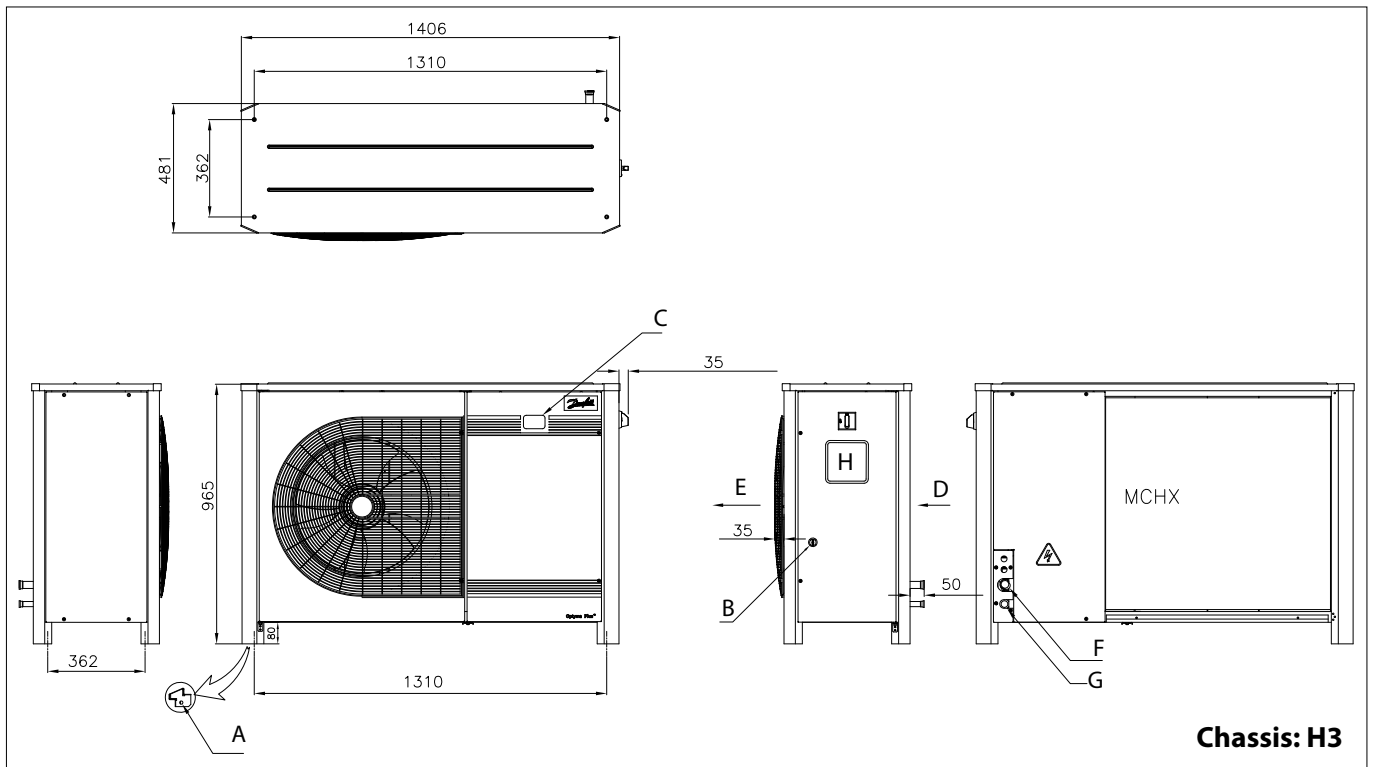
Component type	Component code	Component description	Additional informations
Access Panel H1	118U5125	SPARE PART, SHEET METAL ACCESS H1	
Access Panel H1	118U5284	SPARE PART, SERVICE DOOR H1 (A2L)	
Access Panel H2	118U5130	SPARE PART, SHEET METAL ACCESS H2	
Access Panel H2	118U5286	SPARE PART, SERVICE DOOR H2 (A2L)	
Access Panel H3	118U5135	SPARE PART, SHEET METAL ACCESS H3	
Access Panel H4	118U5140	SPARE PART, SHEET METAL ACCESS H4	
Acoustic Hood	120Z0575	ACOUSTIC HOOD COMP 1CYL	
Acoustic Hood	120Z5043	ACCOUSTIC HOOD - SMALL FRAME	
Acoustic Hood	120Z5044	Acoustic hood for Scroll MLZ compressor	
Acoustic Hood	120Z5045	ACCOUSTIC HOOD, LARGE FRAME	
Acoustic Hood	120Z5052	Sound Cover, LLZ013-018	
Acoustic Hood	120Z5084	ACCOUSTIC HOOD	
Ambient/Suction temperature sensor	084N0003	Sensor, AKS11	
Back Panel H1	118U5123	SPARE PART, SHEET METAL BACK H1	
Back Panel H2	118U5128	SPARE PART, SHEET METAL BACK H2	
Back Panel H3	118U5133	SPARE PART, SHEET METAL BACK H3	
Back Panel H4	118U5139	SPARE PART, SHEET METAL BACK H4	
Brass plug (3/8" NPT)	118U4037	SPARE PART, 3/8" BRASS PLUG	
Cable for EKA Displays 6 m	084B7299	EKA Accessory	
Capacitor	8173001	CAPACITOR 100µF 330V+R	
Capacitor	8173041	CAPACITOR 30µF 450V	
Compressor Single Pack	118U5335	SPARE PART COM FH2511 1P FH2 PLUS	
Compressor Single Pack	118U5336	SPARE PART COM FH2511 3P FH2 PLUS	
Compressor Single Pack	118U3988	CAJ9510Z - AJ2 range	
Compressor Single Pack	118U3989	TAJ4519Z - AJ2 range	
Compressor Single Pack	118U3991	TAJ4517Z - AJ2 range	
Compressor Single Pack	118U3992	CAJ2446Z - AJ2 range	
Compressor Single Pack	118U3993	CAJ4517Z - AJ2 range	
Compressor Single Pack	118U3994	CAJ4519Z - AJ2 range	
Compressor Single Pack	118U3995	CAJ9513Z - AJ2 range	
Compressor Single Pack	118U3996	CAJ4511Y - AJ2 range	
Compressor Single Pack	120F0226	NTZ048-4LR1B	
Compressor Single Pack	120F0228	NTZ048-5LR1B	
Compressor Single Pack	120F0230	NTZ068-4LR1B	
Compressor Single Pack	120F0232	NTZ068-5LR1B	
Compressor Single Pack	120F0234	NTZ096A4LR1B	
Compressor Single Pack	120F0236	NTZ136A4LR1B	
Compressor Single Pack	121L8629	MLZ015T4LP9A	
Compressor Single Pack	121L8631	MLZ015T5LP9A	
Compressor Single Pack	121L8633	MLZ021T4LP9A	
Compressor Single Pack	121L8635	MLZ021T5LP9A	
Compressor Single Pack	121L8637	MLZ026T4LP9A	
Compressor Single Pack	121L8639	MLZ026T5LP9A	
Compressor Single Pack	121L8641	MLZ030T4LC9A	
Compressor Single Pack	121L8643	MLZ030T5LC9A	
Compressor Single Pack	121L8645	MLZ038T4LC9A	
Compressor Single Pack	121L8647	MLZ038T5LC9A	
Compressor Single Pack	121L8651	MLZ048T4LC9A	
Compressor Single Pack	121L8653	MLZ058T4LC9A	
Compressor Single Pack	121L8655	MLZ076T4LC9A	
Compressor Single Pack	121L9541	LLZ024T4LQ9A	
Compressor Single Pack	121L9543	LLZ034T4LQ9A	
Compressor Single Pack	123B2127	MPT16LA	
Compressor Single Pack	123B2510	MLY80RAb	
Compressor Single Pack	123B2514	MLY90RAb	
Compressor Single Pack	123B2518	MPT12RA	
Compressor Single Pack	123B2704	MPT14RA	
Compressor Single Pack	195B0323	SC12MLX	CU phased out but spare part still available
Compressor Single Pack	195B0332	SC18CLX.2	CU phased out but spare part still available
Compressor Single Pack	195B0345	SC10MLX	CU phased out but spare part still available
Compressor Single Pack	195B0391	SC15MLX	CU phased out but spare part still available
Compressor Single Pack	195B0427	GS26CLX	CU phased out but spare part still available
Compressor Single Pack	195B0435	GS34MFX	CU phased out but spare part still available

Component type	Component code	Component description	Additional informations
Compressor Single Pack	195B0438	GS34MLX	CU phased out but spare part still available
Compressor Single Pack	195B0443	NF7MLX	CU phased out but spare part still available
Compressor Single Pack	195B0624	SC18MLX	CU phased out but spare part still available
Compressor Single Pack	123B6001	CS26TB; 220-240V 50Hz ~1; I Pack	
Compressor Single Pack	123B6002	CS30TB; 220-240V 50Hz ~1; I Pack	
Compressor Single Pack	123B6003	DLY80RAB; 220-240V 50Hz ~1; I Pack	
Compressor Single Pack	123B6004	DLY90RAB; 220-240V 50Hz ~1; I Pack	
Compressor Single Pack	123B6005	DPT12RA; 220-240V 50Hz ~1; I Pack	
Compressor Single Pack	123B6006	DPT14RA; 220-240V 50Hz ~1; I Pack	
Compressor Single Pack	123B6007	DX18TBa; 220-240V 50Hz ~1; I Pack	
Compressor Single Pack	123B6008	DS22TB; 220-240V 50Hz ~1; I Pack	
Compressor Single Pack	123B6009	DS26TB; 220-240V 50Hz ~1; I Pack	
Compressor Single Pack	123B6010	DS34TB; 220-240V 50Hz ~1; I Pack	
Compressor Single Pack	123B6011	DS26T3; 400/440V 50/60Hz ~3; I Pack	
Compressor Single Pack	123B6012	DS34T3; 400/440V 50/60Hz ~3; I Pack	
Compressor Single Pack	123B6013	DPT14LA; 220-240V 50Hz ~1; I Pack	
Compressor Single Pack	123B6014	DPT16LA; 220-240V 50Hz ~1; I Pack	
Compressor Single Pack	123B6015	DST26NA; 220-240V 50Hz; I Pack	
Compressor Single Pack	123B6016	DST34LA; 220-240V 50Hz ~1; I Pac	
Compressor Single Pack	121L8421	MLZ015T4; 220-240V 50Hz	
Compressor Single Pack	121L8423	MLZ015T5; 220-240V 50Hz	
Compressor Single Pack	121L8429	MLZ021T4; 220-240V 50Hz	
Compressor Single Pack	121L8431	MLZ021T5; 220-240V 50Hz	
Compressor Single Pack	121L8433	MLZ026T4; 220-240V 50Hz	
Compressor Single Pack	121L8435	MLZ026T5; 220-240V 50Hz	
Compressor Single Pack	121L8437	MLZ030T4; 220-240V 50Hz	
Compressor Single Pack	121L8439	MLZ030T5; 220-240V 50Hz	
Compressor Single Pack	121L8441	MLZ038T4; 220-240V 50Hz	
Compressor Single Pack	121L8443	MLZ038T5; 220-240V 50Hz	
Compressor Single Pack	121L8447	MLZ048T4; 220-240V 50Hz	
Condenser	118U3492	Spare part, A7 MCHX	Phased out & replaced by 118U5217 from SN: -096147CG0419
Condenser	118U3493	Spare part, D7 MCHX	Phased out & replaced by 118U5218 from SN: -096147CG0419
Condenser	118U3494	Spare part, G7 MCHX	Phased out & replaced by 118U5219 from SN: -096147CG0419
Condenser	118U3717	Spare part, J7 MCHX	Phased out & replaced by 118U5220 from SN: -096147CG0420
Condenser	118U5218	Spare part, D7 MCHX	
Condenser	118U5219	Spare part, G7 MCHX	
Contact kit	118U3845	A 9-30-01-80, DILM07-01, DILM09-01	
Contact kit	118U3846	A12-30-01-80, DILM12-01	
Contact kit	118U3847	A 16-30-01-80, DILM15-01	
Contact kit	118U3848	A 26-30-01-80, DILM17-01	
Contact kit	118U3849	A 30-30-01-80, DILM25-01	
Contact kit	118U3850	A 50-30-00-80, DILM32-01	
Crankcase heater	120Z0057	Belt type, 50 W, 230 V, CE mark, UL	
Crankcase heater	120Z0459	PTC heater 27 W, CE mark, UL	
Crankcase heater	120Z5040	Belt type, 70 W, 240 V, CE mark, UL	
Crankcase heater	118U0051	CRANKCASE HEATER 55W	
Discharge pressure sensor	075G1036	Sensor DST P110 (0 to 32 bar SG)	
Discharge pressure sensor	118U4021	AKS 32R 0...32 bar	
Discharge temperature sensor	084N2007	AKS 21 A -70 TIL 160	
Door handle	118U3858	Door handle, ABB-OHB2AJM,MSMN,OXS5X131	
E-box Cable gland	118U5258	SPARE PART, CABLE GLAND (A2L)	
Electric expansion valve	034G5015	ETS 6-14 Electric expansion valve	
Electric expansion valve coil	034G5145	ETS 6 coil for Ele expansion valve	
Electric expansion valve coil	034G5185	ETS 6 coil for Ele expansion valve	
EMI Filter (Controller)	118U3974	CONTROLLER EMC/RFI FILTER OPTYMA PLUS	
External Display & settings	084B8575	EKA 164B, Display, Remote setting	
Fan assembly	118U3829	FAN ASSEMBLIES, EBM, ERP2015	
Fan blade	118U3480	FAN BLADE 14"	
Fan blade	118U3481	FAN BLADE 18"	
Fan capacitor	118U3296	CAPACITOR 1,8 µF	
Fan capacitor	118U3297	CAPACITOR 3,5 µF	
Fan cowl/grill	118U3483	FAN GRILL HOUSING Ø356 mm	

Component type	Component code	Component description	Additional informations
Fan cowl/grill	118U3484	FAN GRILL HOUSING Ø457 mm	
Fan cowl/grill	118U3485	FAN GRILL HOUSING Ø609 mm	
Fan LH panel H4	118U5137	SPARE PART, SHEET METAL FAN LH H4	
Fan motor (Capacitor not included)	118U3477	FAN MOTOR 25W	
Fan motor (Capacitor not included)	118U3823	FAN MOTOR 68 W	
Fan motor (Capacitor not included)	118U3478	FAN MOTOR 75W	
Fan panel H1	118U5122	SPARE PART, SHEET METAL FAN H1	
Fan panel H2	118U5127	SPARE PART, SHEET METAL FAN H2	
Fan panel H3	118U5132	SPARE PART, SHEET METAL FAN H3	
Fan RH panel H4	118U5138	SPARE PART, SHEET METAL FAN RH H4	
Filter drier	023Z5039	Filter drier DML 082	
Filter drier	023Z5040	Filter drier DML083	
Filter drier	023Z5041	Filter drier DML084	
Filter drier	023Z5044	Filter drier DML164	
Filter drier	023Z5045	Filter drier DML165	
Filter drier	023Z5046	Filter drier DML166	
Front Panel H1	118U5124	SPARE PART, SHEET METAL FRONT H1	
Front Panel H1	118U5283	SPARE PART, FRONT DOOR H1 (A2L)	
Front Panel H2	118U5129	SPARE PART, SHEET METAL FRONT H2	
Front Panel H2	118U5285	SPARE PART, FRONT DOOR H2 (A2L)	
Front Panel H3	118U5134	SPARE PART, SHEET METAL FRONT H3	
Fusible plug (1/4")	118U5170	SPARE PART, FUSIBLE PLUG	
High-pressure switch	118U3718	ACB-2UB463W	
Left Side Panel H1	118U5163	SPARE PART, SHEET METAL LEFT SIDE H1	
Left Side Panel H2	118U5164	SPARE PART, SHEET METAL LEFT SIDE H2	
Left Side Panel H3	118U5165	SPARE PART, SHEET METAL LEFT SIDE H3	
Left Side Panel H4	118U5166	SPARE PART, SHEET METAL LEFT SIDE H4	
Liquid injection controller	118U4010	Spare Part, Module B Plus	
Lon-Bus COM Module	084B8579	EKA175, LON-module	
Low-pressure switch	118U3720	ACB-2UA418W	
Main switch kit	118U3855	MPCB,MS132-25+HK1-12	
Main switch kit	118U3856	MPCB,MS132-32+HK1-12	
Main switch kit	118U3857	MPCB,MS450-40+HKS4-21	
Main switch kit	118U5237	MPCB,MS116-12	
MODBUS COM Module	084B8571	EKA 178B, Modbus Module	
Module B+	118U4010	SPARE PART, MODULE B PLUS LLZ LI	
Mounting kit for EKA Display	084B8584	Mounting kit, EKA display	
MPCB	118U3851	MPCB,MS116-10+HK1-12	
MPCB	118U3852	MPCB,MS116-16+HK1-12	
MPCB	118U3853	MPCB,MS116-6.3+HK1-12	
MPCB	118U3854	MPCB,MS132-20+HK1-12	
Oil	-	POE32 for Light Commercial (MLY / MPT)	
Oil	-	RL32HA/HT for light Commercial (CAJ/FH/TAJ/TFH)	
Oil	120Z0638	1 litre can of 175PZ - POE (NTZ Platform)	CU with a SN above 051220CG3016
Oil	120Z0639	2,5 litre can of 175PZ - POE (NTZ Platform)	CU with a SN above 051220CG3016
Oil	120Z0648	1 litre can of 215PZ - POE46 (MLZ & LLZ Platform)	CU with a SN above 051220CG3016
Optyma Plus Controller	118U3465	OPTYMA PLUS CONTROLLER-084B8080	
Programming Key	084B8582	AKA183A	
Receiver	118U4020	LIQUID RECEIVER 1,3 L	
Receiver	118U4012	LIQUID RECEIVER 3,4 L	
Receiver	118U4014	LIQUID RECEIVER 6,2 L	
Receiver	118U3716	LIQUID RECEIVER 10 L	
Receiver	118U4069	SPARE PART, RCVR 1.3L, 1/4x3/8	
Receiver	118U5298	SPARE PART, RCVR 3.4L, 1/2x1/2	
Receiver	118U5298	SPARE PART, RCVR 3.4L, 1/2x1/2	
Receiver	118U5299	SPARE PART, RCVR 6.2L	
Relay	117-7027	SC-RELAY	
Relay	123B9133	RELAY + CON. BOARD 1149-8 BDG 149S+ NTC	
Relay	123B9139	RELAY + CON. BOARD 1166-8 BDG 166S+ NTC	
Relay	123B9151	RELAY + CON. BOARD 1158-8 BDG 158S+ NTC	
Run C capacitor	123B9219	RUN CAPACITOR 16µF/420V, REF. 321	
Run C capacitor	123B9222	RUN CAPACITOR 10µF/420V, REF. 326	
Run C capacitor	123B9226	RUN CAPACITOR 25µF/420V, REF. 310 MET.	
Run capacitor	7701035	PSC starting kit, 30 µF, 15 µF	
Run capacitor	8173231	Run capacitor 440V, 40 µF	

Component type	Component code	Component description	Additional informations
Run capacitor	8173233	Run capacitor 440V, 50 µF	
Run capacitor	8173234	Run capacitor 440V, 55 µF	
Run capacitor	120Z0051	Run capacitor 70 µF	
Run capacitor	123B9215	Run capacitor 420V, 20 µF	
Run capacitor	123B9219	RUN CAPACITOR 16µF/420V, REF. 321	
Service valve	009G7050	GBC 6s Ball Valve M/25	
Service valve	009G7051	GBC 10s Ball Valve M/25	
Service valve	009G7052	GBC 12s Ball Valve M/25	
Service valve	009G7053	GBC 16s Ball Valve M/25	
Service valve	009G7054	GBC 18s Ball Valve M/25	
Service valve	009G7055	GBC 22s Ball Valve M/25	
Service valve	009G7056	GBC 28s Ball Valve M/5	
Sight glass	014L0172	Sight Glass, SGP 10 N	
Sight glass	014L0173	Sight Glass, SGP 12 N	
Sight glass	014L0174	Sight Glass, SGP 16 N	
Sight glass	014L0175	Sight Glass, SGP 19 N	
Sight glass	014L0181	Sight Glass, SGP 6s N	
Sight glass	014L0182	Sight Glass, SGP 10s N	
Start capacitor	123B9302	Start capacitor 72-88 µF, 330 V	
Start capacitor	123B9316	STARTING CAPACITOR+CC 72-88µF/330V R216	
Start capacitor	123B9315	STARTING CAPACITOR+CC 64-77µF/330V R205	
Start capacitor	117U5373	START CAPACITOR 80 mfd	
Starting capacitor	123B9215	CAPACITOR 20µF/420V, REF. 309 MET	
Starting capacitor	117U5012	Start capacitor 125 µF, 220V - SC	
Starting capacitor	117U5017	Start capacitor 80 µF, 220V - SC	
Starting capacitor	117U5018	Start capacitor 125 µF, 220V - NF,NL	
Starting capacitor	120Z0040	Start capacitor 161-193 µF	
Starting capacitor	120Z0399	Start capacitor 145-175 µF	
Starting capacitor	123B9321	Start capacitor 88-108 µF, 330V+Cover+Cable	
Starting capacitor	123B9302	Start capacitor 72-88 µF, 330 V	
Starting capacitor	123B9304	Start capacitor 88-108 µF, 330V	
Starting capacitor	120Z0399	Start capacitor 145-175 µF, 250V	
Starting KIT	118U5191	CAJ2446Z _ F1 KIT Capacitor and relay	
Starting KIT	118U5192	CAJ2464Z _ F1 KIT Capacitor and relay	
Starting KIT	118U5193	CAJ4492Y _ F1 KIT Capacitor and relay	
Starting KIT	118U5194	CAJ4511Y _ F1KIT Capacitor and relay	
Starting KIT	118U5195	CAJ4517Z _ F1 KIT Capacitor and relay	
Starting KIT	118U5196	CAJ4519Z _ F1 KIT Capacitor and relay	
Starting KIT	118U5197	CAJ9510Z _ F1 KIT Capacitor and relay	
Starting KIT	118U5198	CAJ9513Z _ F1KIT Capacitor and relay	
Starting KIT	118U5199	FH2511Z _ F1KIT Capacitor and relay	
Starting relay	123B9146	Tension Relay 9004	
Starting relay	8173022	Starting relay type RVA-6AMKL/3ARR3J4A4	
Starting relay	117U4139	RELAY ASSY. HST - "MRP56EN-6; 117U2121	
Starting relay	120Z0393	Starting relay type RVA9CKL/3ARR3J4A4	
Starting relay	120Z0394	Starting relay type RVA3EKL/3ARR3J24P4	
Starting relay	120Z0395	Starting relay type RVA4GKL/3ARR3J25S4	
Starting relay	123B9159	Relay + Con. Board R.1180	
Starting relay	123B9146	Tension Relay 9004	
Starting relay	123B9154	Tension Relay 9002	
Suction pressure sensor	075G1013	Sensor DST P110 (-1 to 12 bar SG)	
Suction pressure sensor	118U4025	AKS 32R -1...12 bar	
Top Panel H1	118U5121	SPARE PART, SHEET METAL TOP H1	
Top Panel H2	118U5126	SPARE PART, SHEET METAL TOP H2	
Top Panel H3	118U5131	SPARE PART, SHEET METAL TOP H3	
Top Panel H4	118U5136	SPARE PART, SHEET METAL TOP H4	





- A Ø12 Hole for Mounting
- B Sight Glass
- C Controller Display

- D Air in
- E Air out
- F Suction Port

- G Liquid Port
 - ⚠ Electrical Cables
- Note: all dimension are in mm



For electrical wiring diagrams refer to installation guide AN18658643414603-xxxxxx

Optyma™ Plus INVERTER

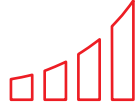
Capacity modulation in a simple and adaptive package

Combines our market-leading expertise in condensing unit design with the unique benefits of stepless inverter scroll technology. The result is energy consumption reduced by up to 30% with better food preservation.



Quick and safe installation and service

Preset parameters and Modbus communication makes start-up and maintenance of the condensing unit effortlessly quick and easy.



High SEPR*: 3.84 – certified by ASERCOM

All models in the range are highly efficient and well above EcoDesign 2018 thresholds, contributing to a reduction in energy costs. *SEPR: Seasonal Energy Performance Ratio.



Accurate temperature control

Accurate temperature control and low in-rush current result in a more stable storage temperature and longer product shelf life.



Extended capacity

Stepless compressor modulation - able to slow down and speed up from 30 to 100 RPS to save energy and match load fluctuations very accurately. The inverter drive incorporates smart logic to increase reliability during operation.



Designed for ultimate efficiency

Stepless capacity modulation

From 30 to 100 rps modulation leads to 20-30% higher energy efficiency compared to fixed-speed condensing units.

Simple commissioning

Preset drive parameters with dedicated refrigeration software.

Future-proof

Working with lower GWP refrigerants such as R448A and R449. Also compatible with R407A/F and R404A.



Danfoss compressor and drive package

Dedicated to refrigeration with years of market application and validation.

Simple plug-and-play installation

Safe, simple and hassle-free installation with tried-and-tested components.

Full intelligent control through the Optyma™ Plus Controller

Control, alarm management, day & night operation, can connect to ADAP-KOOL® software, etc.

Model	Code	Version	Compressor	Electrical code (1)	Compressor speed, rps	T _{amb} [°C]	Cooling capacity Q [kW] (2)					EcoDesign (3)		Sound power level dB(A)	Sound pressure level 10 m dB(A)
							Evaporating Temperature (Mid point) [°C]					COP	SEPR		
							-15 °C	-10 °C	-5 °C	0 °C	5 °C				
OP-MPPM028VVV	114X4302	P01	VLZ028TGA	E	30	27	1.61	2.01	2.49	3.03	-	-	-	72	41
						32	1.52	1.90	2.35	2.87	-				
						38	-	-	-	-	-				
						43	-	-	-	-	-				
					50	27	2.74	3.39	4.16	5.02	-	-	-	73	41
						32	2.58	3.20	3.93	4.75	-				
						38	-	2.96	3.65	4.42	-				
						43	-	2.75	3.40	4.13	-				
					75	27	4.01	4.94	6.04	7.27	-	-	-	73	42
						32	3.78	4.66	5.70	6.87	-				
						38	-	4.32	5.29	6.38	-				
						43	-	4.02	4.93	5.96	-				
					100	27	5.14	6.30	7.68	9.24	-	-	3.75	74	43
						32	4.85	5.95	7.26	8.73	-				
						38	-	5.53	6.74	8.11	-				
						43	-	5.16	6.31	7.59	-				
OP-MPPM035VVV	114X4316	P01	VLZ035TGA	E	30	27	2.02	2.52	3.11	3.79	-	-	-	72	41
						32	1.90	2.37	2.94	3.58	-				
						38	-	-	-	-	-				
						43	-	-	-	-	-				
					50	27	3.40	4.20	5.14	6.19	-	-	-	72	41
						32	3.19	3.96	4.85	5.85	-				
						38	-	3.65	4.49	5.42	-				
						43	-	3.38	4.18	5.06	-				
					75	27	4.95	6.09	7.42	8.90	-	-	-	74	43
						32	4.66	5.73	6.99	8.40	-				
						38	-	5.30	6.47	7.78	-				
						43	-	4.923	6.02	7.25	-				
					100	27	6.34	7.76	9.43	11.31	-	-	3.63	74	43
						32	5.98	7.32	8.90	10.67	-				
						38	-	6.79	8.25	9.90	-				
						43	-	6.34	7.71	9.25	-				
OP-MPPM044VVV	114X4334	P01	VLZ044TGA	E	30	27	2.60	3.23	3.97	4.80	-	-	-	72	41
						32	2.44	3.04	3.75	4.54	-				
						38	-	-	-	-	-				
						43	-	-	-	-	-				
					50	27	4.27	5.27	6.44	7.74	-	-	-	74	43
						32	4.01	4.96	6.07	7.30	-				
						38	-	4.57	5.61	6.77	-				
						43	-	4.24	5.22	6.31	-				
					75	27	6.22	7.62	9.25	11.04	-	-	-	74	43
						32	5.83	7.16	8.70	10.40	-				
						38	-	6.59	8.03	9.61	-				
						43	-	6.10	7.45	8.94	-				
					100	27	7.99	9.75	11.76	13.95	-	-	4.12	74	43
						32	7.46	9.13	11.05	13.12	-				
						38	-	8.36	10.14	12.08	-				
						43	-	7.68	9.35	11.18	-				

MBP

(1) E - Compressor 400V/3~/50Hz, fan 230V/1~/50Hz

(2) Nominal conditions (EN13215), Evaporating temperatures at Mid point, Superheat 10K, Subcooling 0K

(3) Rated conditions (EN13215), Evaporating temperature (Mid point) -10°C, Ambient air temperature +32°C, Return Gas Temperature 20°C, Subcooling 0K

SEPR, Seasonal Energy Performance Ratio

Q [kW], Cooling Capacity

P [kW], Power Input



For regular updates and detailed capacities, please refer to **Coolselector®2** software

Model	Code	Version	Compressor	Electrical code (1)	Compressor speed, rps	Tamb [°C]	Cooling capacity Q [kW] (2)					EcoDesign (3)		Sound power level dB(A)	Sound pressure level 10 m dB(A)
							Evaporating Temperature (Mid point) [°C]					COP	SEPR		
							-15 °C	-10 °C	-5 °C	0 °C	5 °C				
OP-MPPM028VVV	114X4302	P01	VLZ028TGA	E	30	27	1.61	2.00	2.46	2.99	-	-	-	72	41
						32	1.49	1.87	2.30	2.80	-				
						38	-	-	-	-	-				
						43	-	-	-	-	-				
					50	27	2.72	3.36	4.11	4.96	-	-	-	72	41
						32	2.52	3.13	3.83	4.63	-				
						38	-	2.84	3.49	4.23	-				
						43	-	2.60	3.19	3.88	-				
					75	27	4.03	4.96	6.02	7.24	-	-	-	73	42
						32	3.74	4.61	5.61	6.76	-				
						38	-	4.19	5.11	6.16	-				
						43	-	3.82	4.68	5.65	-				
100	27	5.25	6.44	7.79	9.32	-	-	3.56	74	43					
	32	4.88	6.00	7.27	8.70	-									
	38	-	5.44	6.61	7.92	-									
	43	-	4.96	6.03	7.25	-									
OP-MPPM035VVV	114X4316	P01	VLZ035TGA	E	30	27	2.04	2.53	3.11	3.76	-	-	-	72	41
						32	1.89	2.36	2.89	3.52	-				
						38	-	-	-	-	-				
						43	-	-	-	-	-				
					50	27	3.43	4.22	5.14	6.20	-	-	-	72	41
						32	3.18	3.93	4.79	5.78	-				
						38	-	3.56	4.35	5.25	-				
						43	-	3.24	3.97	4.80	-				
					75	27	5.01	6.14	7.44	8.93	-	-	-	74	43
						32	4.65	5.71	6.93	8.31	-				
						38	-	5.17	6.28	7.55	-				
						43	-	4.71	5.73	6.90	-				
100	27	6.42	7.85	9.48	11.34	-	-	3.87	74	43					
	32	5.96	7.29	8.82	10.55	-									
	38	-	6.60	7.99	9.57	-									
	43	-	6.00	7.27	8.72	-									
OP-MPPM044VVV	114X4334	P01	VLZ044TGA	E	30	27	2.64	3.26	3.98	4.80	-	-	-	72	41
						32	2.44	3.03	3.71	4.48	-				
						38	-	-	-	-	-				
						43	-	-	-	-	-				
					50	27	4.36	5.34	6.47	7.75	-	-	-	74	43
						32	4.04	4.97	6.03	7.24	-				
						38	-	4.51	5.49	6.60	-				
						43	-	4.10	5.01	6.04	-				
					75	27	6.32	7.72	9.31	11.10	-	-	-	74	43
						32	5.87	7.18	8.67	10.34	-				
						38	-	6.50	7.87	9.40	-				
						43	-	5.91	7.17	8.59	-				
100	27	8.09	9.86	11.85	14.06	-	-	3.89	74	43					
	32	7.49	9.14	11.00	13.06	-									
	38	-	8.23	9.93	11.82	-									
	43	-	7.45	9.01	10.75	-									

MBP

(1) E - Compressor 400V/3~/50Hz, fan 230V/1~/50Hz

(2) Nominal conditions (EN13215), Evaporating temperatures at Mid point, Superheat 10K, Subcooling 0K

(3) Rated conditions (EN13215), Evaporating temperature (Mid point) -10°C, Ambient air temperature +32°C, Return Gas Temperature 20°C, Subcooling 0K

SEPR, Seasonal Energy Performance Ratio

Q [kW], Cooling Capacity

P [kW], Power Input



For regular updates and detailed capacities, please refer to **Coolselector®2** software

Optyma™ Plus INVERTER - Technical data

Application	Code number	Model number	Compressor Model	Electrical Code (1)	Refrigerant (2)	Condenser Coil			Fan		Receiver	Dimensions			Connection		Weight		
						Type	Airflow	Internal Volume	Number	Blade ø	Volume	Housing	Height	Width	Length	Suction valve	Liquid valve	Gross	Net
	P01	(m³/h)	(dm³)	(mm)	(L)	mm	mm	mm	inch	inch	Kg	Kg							
MBP	114X4302	OP-MPPM028VVLP01E	VLZ028TGA	E	P	G7	5200	1.62	1	500	6.2	H3	965	1406	481	3/4"	5/8"	150	124
MBP	114X4316	OP-MPPM035VVLP01E	VLZ035TGA	E	P	G7	5200	1.62	1	500	6.2	H3	965	1406	481	3/4"	5/8"	151	125
MBP	114X4334	OP-MPPM044VVLP01E	VLZ044TGA	E	P	G7	5200	1.62	1	500	6.2	H3	965	1406	481	3/4"	5/8"	151	125

(1) E - Compressor 400V/3~/50Hz, fan 230V/1~/50Hz
 (2) P - R448A, R449A, R407A, R407F, R404A

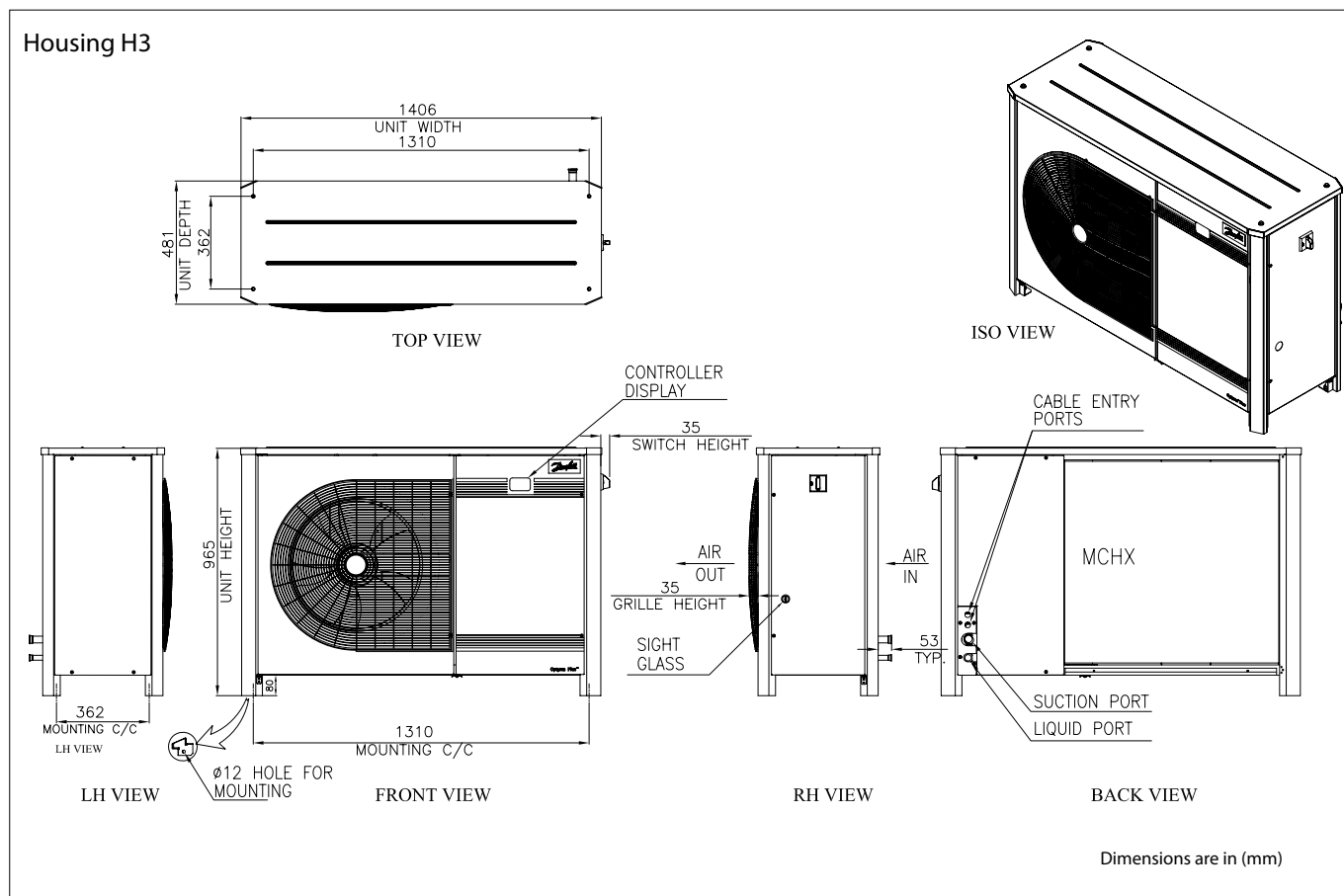
Optyma™ Plus INVERTER - Spare parts & accessories - MBP

Designation	OP-MPPM028	OP-MPPM035	OP-MPPM044
Code Number	114X4302	114X4316	114X4334
Compressor Description	VLZ028TGA	VLZ035TGA	VLZ044TGA
Compressor oil	120Z0648	120Z0648	120Z0648
Spare Parts			
Compressor	120G0162	120G0159	120G0156
Condenser	118U5219	118U5219	118U5219
Discharge pressure sensor	118U4021	118U4021	118U4021
Oil separator	118U3981	118U3981	118U3982
Fan assembly	118U3829	118U3829	118U3829
Fan cowl/grill	118U3485	118U3485	118U3485
Filter Drier	023Z5045	023Z5045	023Z5045
High-pressure switch	118U3718	118U3718	118U3718
Low-pressure switch	118U3720	118U3720	118U3720
Receiver	118U4015	118U4015	118U4015
Sight glass	014L0174	014L0174	014L0174
Suction pressure sensor	118U4025	118U4025	118U4025
Suction line valve	009L7054	009L7054	009L7054
Liquid line valve	009L7053	009L7053	009L7053
Electrical Spare Parts			
Crankcase heater (Compressor)	120Z5040	120Z5040	120Z5040
Crankcase heater (Oil separator)	120Z0460	120Z0460	120Z0460
Optyma Controller	118U3465	118U3465	118U3465
Discharge temperature sensor	084N2007	084N2007	084N2007
Ambient/Suction temperature sensor	084N0003	084N0003	084N0003
Compressor contact	118U3847	118U3847	118U3847
Door handle	118U3858	118U3858	118U3858
Main switch	118U3854	118U3854	118U3854
Compressor drive CDS803	118U5518	118U5519	118U5520
EMI filter (Drive)	118U4079	118U4079	118U4079
EMI filter (Controller)	118U3974	118U3974	118U3974
Accessories (Not Premounted)			
Acoustic hood	120Z5083	120Z5083	120Z5083
Adapter Plug (Receiver)	118U4037	118U4037	118U4037
Sheet Metal			
Top panel	118U5131	118U5131	118U5131
Fan Panel	118U5132	118U5132	118U5132
Back panel	118U5133	118U5133	118U5133
Front panel	118U5134	118U5134	118U5134
Access panel	118U5135	118U5135	118U5135
Left side panel	118U5165	118U5165	118U5165

NOTICE For service purpose original components (spare parts) recommended by Danfoss should be used.

Component type	Component code	Component description	Additional informations
Access Panel	118U5135	SPARE PART, SHEET METAL ACCESS H3	
Acoustic hood	120Z5043	ACCOUSTIC HOOD SMALL now use (120Z5083)	
Adapter Plug	118U4037	Adapter Plug	
Ambient/Suction temperature sensor	084N0003	Sensor AKS 11 3.5m	
Back panel	118U5133	SPARE PART, SHEET METAL BACK H3	
Compressor contact	118U3847	CONT, ABB-A16-30-01-80+CA5-11	
Compressor drive CDS803	118U3973	Drive CDS803 7,5kW H OPTYMA INVERTER	
Compressor Single pack	120G0162	Compressor VLZ028TGNE9A/M	
Compressor Single pack	120G0159	Compressor VLZ035TGNE9A/M	
Compressor Single pack	120G0156	Compressor VLZ044TGNE9A/M	
Condenser	118U5219	SPare part, 9513 B3, H3, G7 MCHX	
Controller	118U3465	OPTYMA PLUS CONTROLLER-084B8080	
Crankcase heater	120Z5040	CRANKCASE HEATER, 240V 70W	
Discharge temperature sensor	084N2007	Sensor AKS 21 A 2.5m	
Door handle	118U3858	HANDLE, ABB-OHB2AJM,MSMN,OXS5X131	
EMI filter (Controller)	118U3974	CONTROLLER EMC/RFI FILTER OPTYMA PLUS	
EMI filter (Drive)	118U4079	SPARE PART, EMC/RFI FILTER FN3288-16-44-C17-R65	For prior unit upto SN XXXXXXCG3820, follow instruction manual to replace 118U3972 to 118U4079
Fan assembly	118U3829	FAN ASSEMBLIES, EBM, ERP2015	
Fan cowl/grill	118U3485	FAN GRILL HOUSING 3 OP PLUS	
Fan panel	118U5132	SPARE PART, SHEET METAL FAN H3	
Filter	023Z5045	Filter drier DML 165 M/12	
Front Panel	118U5134	SPARE PART, SHEET METAL FRONT H3	
High-pressure switch	118U3718	HIGH PR SWITCH ACB-2UB463W	
High-pressure transmitter	075G1036	Sensor DST P110 (0 to 32 bar SG)	For prior units upto SNXXXXXXXXX0120, Use 118U4021 to replace AKS pressure transmitter to DST P110.
Left Side panel	118U5165	SPARE PART, SHEET METAL LEFT SIDE H3	
Liquid valve	009G7053	GBC 16s Ball Valve M/25	
Low-pressure switch	118U3720	LOW PR SWITCH ACB-2UA418W	
Low-pressure transmitter	075G1013	Sensor DST P110 (-1 to 12 bar SG)	For prior units upto SNXXXXXXXXX0120, Use 118U4025 to replace AKS pressure transmitter to DST P110.
Main switch	118U3852	MPCB, ABB-MS116-16+HK1-12	
Main switch	118U3854	MPCB, ABB-MS132-20+HK1-12	
Oil Separator	118U3981	SEPARATEUR HUILE SO/ER-31 OPTYMA INVERT	
Oil separator	118U3982	SEPARATEUR HUILE SO/ER16101 OPTYMA INVER	
Receiver	118U4015	Receiver 6.2L, 3/8 NPT (Ods 5/8" - Dia 16.2 Rotor Lock)	
Sight glass	014F0174	Del-SGN+ 16 Sight Glass M/36	
Suction valve	009G7054	GBC 18s Ball Valve M/25	
Top Panel	118U5131	SPARE PART, SHEET METAL TOP H3	

OP-MPLM028-035-044, OP-MPPM028-035-044



Optyma™ Plus INVERTER - Housing spare parts



For electrical wiring diagrams refer to installation guide AN18718642524202-xxxxxx

Optyma™ iCO₂

Features and benefits

MBP - 1.5 to 4.6 kW



Danfoss GBC service valves



Night mode operation



PED class 1



Danfoss MMILDS display



Microchannel condenser



2.5 L Suction accumulator



Danfoss filter drier



Sight glass



2 X 2.5 L Receiver



Stacking up to 2 units



2 doors for servicing



Integrated controller and drive



Gas By Pass Valve



Variable speed scroll compressor: 37 Hz to 117 Hz



Main switch



Connectable to Danfoss System Managers



DC fan



Charge indication

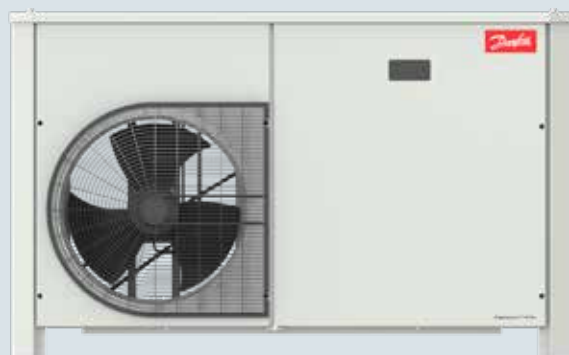


Relief valve

Remote monitoring & management and integration into DES thanks to connectivity to Danfoss System Managers

Better food preservation by continuously matching the load fluctuations with variable speed compressor and drive

Reduce operational costs as one unit can handle multiple cold rooms or e.g., 1.5 to 5 meters of display cabinets



Reduce disruption with a fast setup, commissioning and servicing (2 service doors, preset controller, remote control)

Reduce commissioning costs with a PED class 1 unit avoiding check by certified body

Reduce footprint and installation time with stack mounting units (up to 2)

Silent operation, thanks to best-in-class BLDC compressor, high performance sound insulation and low noise level fan this unit don't exceed 35dB(A) at 10 meter and decrease by nearly two noise level from other variable load systems

Model	Code	Version	Electrical code (1)	Compressor load	Tamb [°C]	Cooling capacity Q [kW] (preliminary) (2)					EcoDesign (3)		Min Fuse rating gL/gG (A)	Sound pressure level @ 10m dB(A)
						Evaporating Temperature (Mid point) [°C]					COP	SEPR		
						-15	-10	-5	0	5				
OP-MPAM005CO	114X6001	P04	G	Max. speed	38	3.14	3.82	4.20	4.61	4.81	-	3.2	16	35
					32	3.89	4.58	5.11	5.59	5.90				
					27	4.46	5.16	5.76	6.30	6.84				
				Min. speed	38	1.02	1.24	1.40	1.50	1.56				
					32	1.26	1.49	1.66	1.79	1.96				
					27	1.45	1.68	1.87	2.05	2.22				

(1) G - Compressor 230V/1~/50Hz, fan 230V/1~/50Hz

(2) Nominal conditions (EN13215), Evaporating temperatures at Mid point, Superheat 10K, Subcooling 0K



For regular updates and detailed capacities, please refer to **Coolselector®2** software



Application	Code number	Model number	Compressor Model	Electrical Code (1)	Refrigerant (2)	Condenser Coil			Fan		Receiver	Dimensions			Connection		Weight		
						Type	Airflow	Internal Volume	Number	Blade ø	Volume	Housing	Height	Width	Length	Suction valve	Liquid valve	Gross	Net
							(m ² /h)												
MBP	114X6001	OP-MPAM005COP04G	Scroll	G	R744	D1	2500	0.27	1	400	2 x 2.5	TBC	800	480	1290	3/8'	3/8'	136	116

Component type	Component code	Component description	Additional informations
Compressor	118U4105	SPARE PART COMPRESSOR 005CO	
Circuit breaker	118U4131	ABB EP8864	No safety stocks
Contactore	118U4134	ABB AF16301013	No safety stocks
Controller	080G0233	MMILDS Elect.Control Panel I/25	
EMI Filter	118U4120	SPARE PART NOISE FILTER (Type: EMI FILTER)	
Fan assembly	118U4129	SPARE PART FAN ASSEMBLY (D 415)	
Filter drier	023Z8409	Filter drier DMT 083S I/12	
Gas cooler	118U4112	SPARE PART First GAS COOLER D1	
Gas cooler	118U4116	SPARE PART second GAS COOLER D1	
Gateway	118U4119	SAPRE PART GATEWAY D1	
Main switch	118U4130	ABB MSHDLTB main switch	No safety stocks
Main switch bracket	118U4132	ABB OXS6X085	No safety stocks
Main switch plastic conection	118U4133	ABB MSMNO	No safety stocks
Oil	118U4144	SPARE PART OIL TANK (1 can, 250 ml)	
Optyma Controller	118U4126	SPART PART CONTROLLER D1	
Pressure sensore	118U4108	SPARE PART PRESSUR SENSOR (0-10 MPa Ratiometric 0.5-4-5 VDC)	
Pressure sensore	118U4109	SPARE PART HIGH PR SWITCH (14 MPa)	
Pressure sensore	118U4110	SPARE PART HIGH PR SWITCH (0-19.6 MPa Ratiometric 0.5-4-5 VDC)	
Reactor	118U4124	SPARE PART REACTOR (Type VFD, Drive)	
Reactor	118U4125	SPARE PART REACTOR (Type VFD, Drive)	
Service valve	118U4106	SPARE PART RELEIF VALVE 80B (15.6 mm2)	
Service valve	118U4107	SPARE PART EXP VALVE (3/8")	
Service valve	118U4117	SPARE PART EXP VALVE (3/8")	
Service valve	118U4118	SPARE PART EXP VALVE (3/8")	
Service valve	009L7555	GBC 10s CO2 45bar BallValve With AP M/25	
Sight glass	118U4111	SPARE PART SIGHT GLASS	
Temperatur sensore	118U4121	SPARE PART THERMAL SWITCH KIT	
Temperatur sensore	118U4122	SPARE PART REACTOR THERMAL KIT	
Temperatur sensore	118U4123	SPARE PART THERMISTOR KIT	

Updates

Release date (Year/Month)	Guideline codification number	List of changes	Reason for change
2022/12	AF283343213825en-010802	Added new codes 114X3405, 114X3406, 114X4409 and 114X4410	Model addition, Spare part and Performance addition
		Min fuse rating and sound pressure values updated for OP Slim Pack and OP Plus range	
		1. Performance data and Spare parts updated for Slim Pack and OP Plus range 2. DX21Tba and DST38NA added	

Danfoss Cooling

is a worldwide manufacturer of compressors and condensing units for refrigeration and HVAC applications. With a wide range of high quality and innovative products we help your company to find the best possible energy efficient solution that respects the environment and reduces total life cycle costs.

We have 40 years of experience within the development of hermetic compressors which has brought us amongst the global leaders in our business, and positioned us as distinct variable speed technology specialists. Today we operate from engineering and manufacturing facilities spanning across three continents.



Our products can be found in a variety of applications such as rooftops, chillers, residential air conditioners, heatpumps, coldrooms, supermarkets, milk tank cooling and industrial cooling processes.



Danfoss A/S
Climate Solutions • danfoss.com • +45 7488 2222

Any information, including, but not limited to information on selection of product, its application or use, product design, weight, dimensions, capacity or any other technical data in product manuals, catalogues descriptions, advertisements, etc. and whether made available in writing, orally, electronically, online or via download, shall be considered informative, and is only binding if and to the extent, explicit reference is made in a quotation or order confirmation. Danfoss cannot accept any responsibility for possible errors in catalogues, brochures, videos and other material. Danfoss reserves the right to alter its products without notice. This also applies to products ordered but not delivered provided that such alterations can be made without changes to form, fit or function of the product.
All trademarks in this material are property of Danfoss A/S or Danfoss group companies. Danfoss and the Danfoss logo are trademarks of Danfoss A/S. All rights reserved.