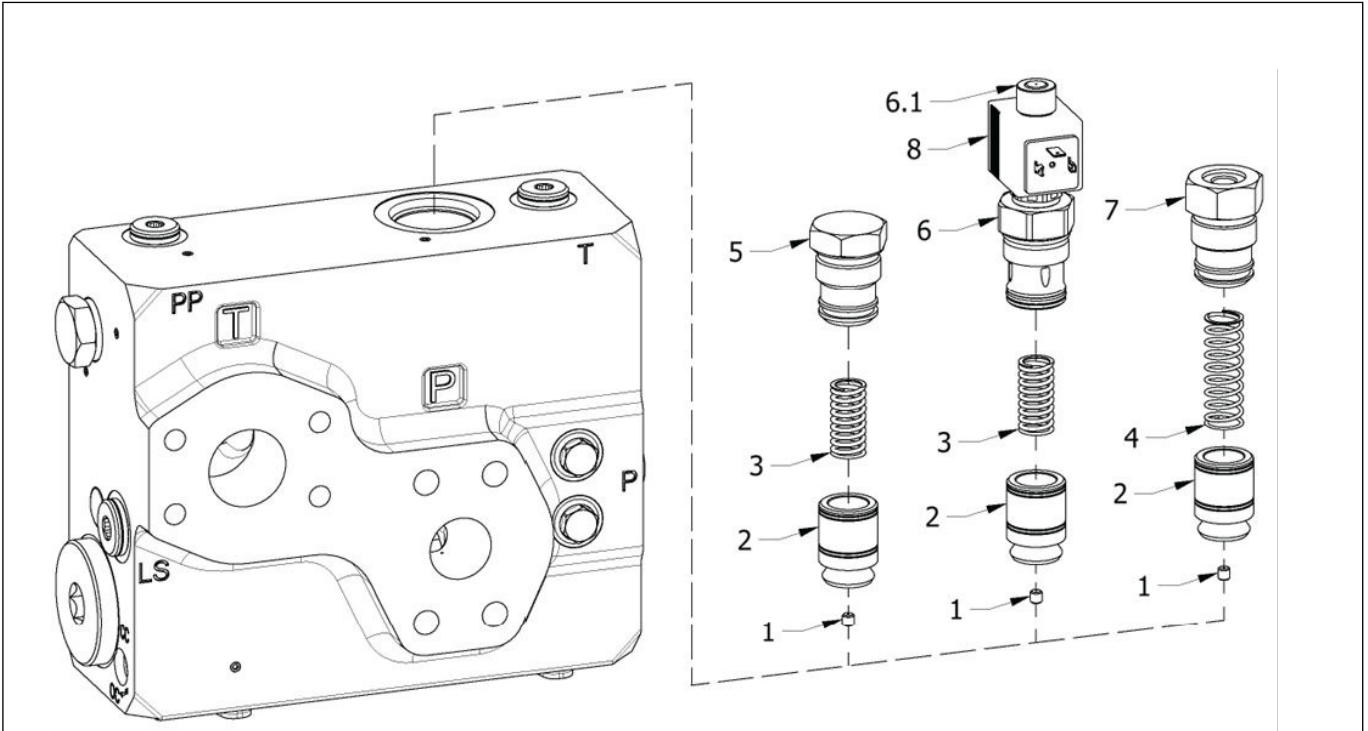


Installation Guide

Relief Valves for PVG 128/256 Type PVPD, PVPE, PVPH



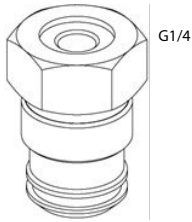
Relief valves shown are applicable to PVP128 OC/CC (shown) & OC256 only.

Component	Tool Size	Max. Tightening Torque
1	3 mm [.118] (internal hex)	5 Nm [44 lbf-in]
5, 6, & 7	36 mm [1.42 in] (external hex)	85 Nm [750 lbf-in]
6.1	None (knurled)	Finger Tight

Relief Valve Types

Type	Description
PVPD	Dummy – Must be specified when no relief valve is needed
PVPE	Electrical Activation – standard normally-open variant relieves pump flow to tank when no voltage signal is applied, reducing P>T pressure drop compared to standard unloader spool
PVPH	Hydraulic Activation – standard normally-open variant relieves pump flow to tank when no hydraulic pressure is applied to PVPH port, reducing P>T pressure drop compared to standard unloader spool; pressure of 55 bar required to pilot PVPH closed

PVPH Connections



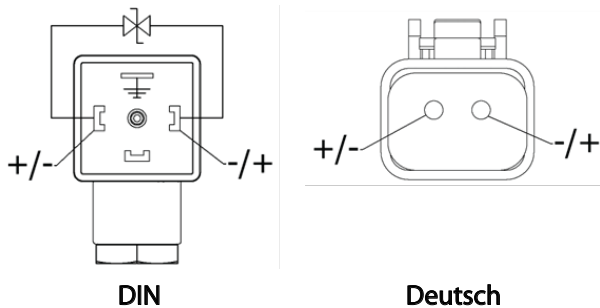
G1/4 Sealing Type	Steel Washer	Copper Washer	Aluminum Washer	Cutting Face
Max. tightening torque	40 Nm [350 lbf-in]	20 Nm [180 lbf-in]	30 Nm [270 lbf-in]	40 Nm [350 lbf-in]

PVPE Technical Data

Max. operating pressure	350 bar [5085 psi]	
Max. pressure drop at a flow of 0.20 l/min [.053 US gal/min]	1.2 bar [17 psi]	
Oil temperature (recommended range)	30 to 60°C [86 to 140°F]	
Oil temperature (maximum range)	-30 to 90°C [-22°F to 194°F]	
Max coil surface temperature	155°C [311°F]	
Ambient temperature	-30 to 60°C [-22 to 140°F]	
Oil viscosity (recommended range)	12 to 75 mm ² /s [65 to 347 SUS]	
Oil viscosity (maximum range)	4 to 460 mm ² /s [39 to 2128 SUS]	
Response time for pressure relief to tank	600 ms	
Enclosure Rating (IEC 529)	IP 65 (DIN) / IP67 (Deutsch)	
Rated Voltage	12 V	24 V
Max. permissible deviation from rated voltage	±10%	±10%
Current consumption at rated voltage at 22°C [72°F]	1.55 A	0.78 A
Current consumption at rated voltage at 85°C [230°F]	1.00 A	0.50 A
Power consumption at rated voltage at 22°C [72°F]	19 W	19 W
Power consumption at rated voltage at 85°C [230°F]	12 W	12 W

PVPE Connection

For DIN type, remember to connect the built-in protection diode as shown. For Deutsch type, circuit protection must be installed externally, possibly by means of a 36V suppressor diode (BZW04) in the terminal block.



Danfoss can accept no responsibility for possible errors in catalogues, brochures and other printed material. Danfoss reserves the right to alter its products without notice. This also applies to products already on order provided that such alterations can be made without subsequent changes being necessary in specifications already agreed. All trademarks in this material are property of the respective companies. Danfoss and the Danfoss logotype are trademarks of Danfoss A/S. All rights reserved.