

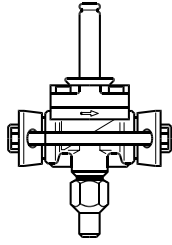
Installation Guide

# Solenoid valves

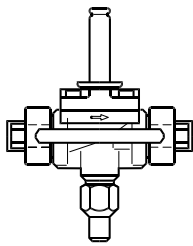
## EV RAT 10, 15, 20

032R9669

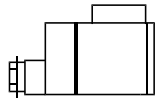
032R9669



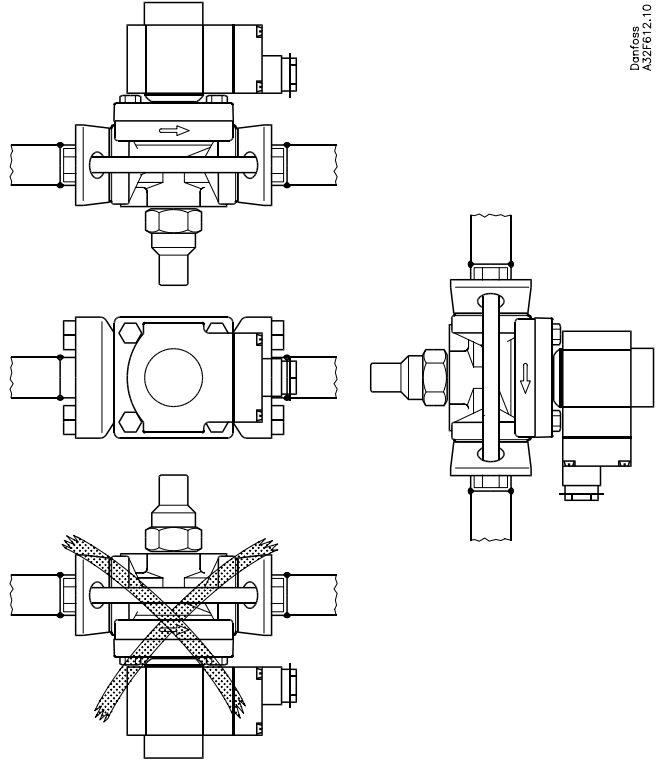
EV RAT 10



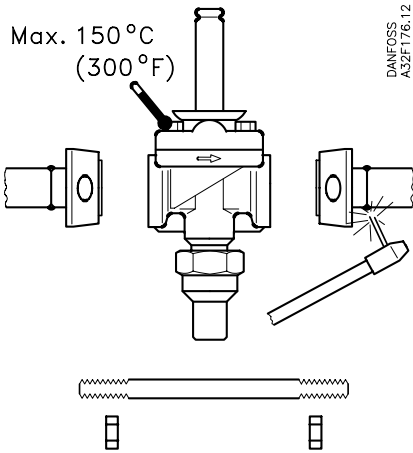
EV RAT 15, 20



12 V a.c.



Danfoss  
A32F6.12.10

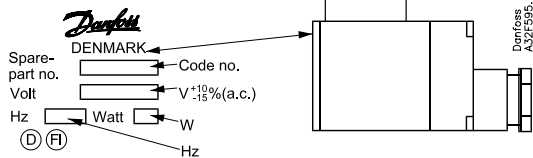


DANFOSS  
A32F176.12

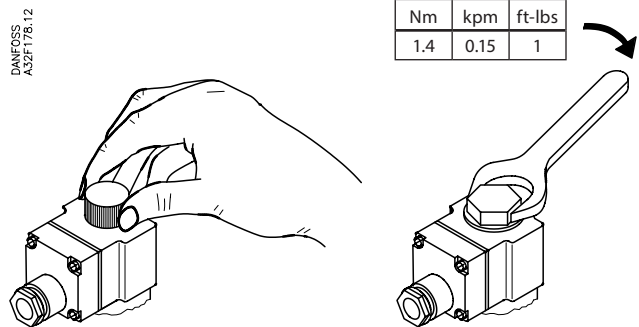
12 W d.c. t max. 50 °C (120 °F)  
t min. -40 °C (-40 °F)

Min. medium temperature: EV RAT -40 °C (-40 °F)  
Max. medium temperature: EV RAT 105 °C (221 °F)  
Max. working pressure: PB=28 bar/ MWP 405 psig

Max. opening diff. pressure (MOPD): 21 bar (300psig) Danfoss  
A32F6.13.10

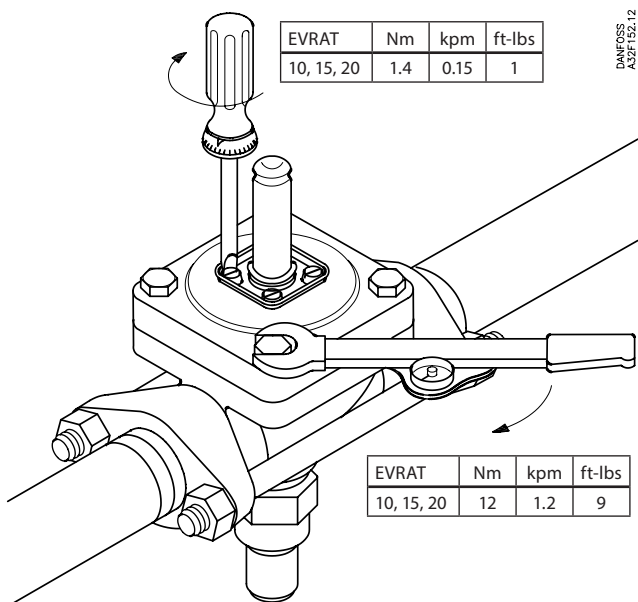


Danfoss  
A32F595.10



DANFOSS  
A32F176.12

Nm	kpm	ft-lbs
1.4	0.15	1



The manual opener of EVRAT 10, 15 and 20 is intended to be activated only during initial pressure testing of the refrigeration system.

After pressure testing or service-related manual forced opening of the manual opener the spindle **must** be turned fully back to back-seated position to avoid any packing gland leakage.

Furthermore it is essential that the sealing cap is properly reinstalled. This will eliminate any risk of leakage from the manual opener.

