

Datasheet

Operator Replacement Series Type **RA / RAV to RA2000**

Selection:



Identifiable mounting:
Large silver threaded nut

| RA Series | RA2000 | Choose any of the compatible operators below: | |
|---|---|---|---------------------------------|
| | | | 015G4292 |
| Valve mounted dial 013-7001 RA-6 013-7101 RA-6 "Armored" | 013G8070 Required adapter (For RA valve to RA2000) | | 013G8564 |
| | | | 013G8562 (6' cap. tube) |
| | | | 013G8565 (16' cap. tube) |
| | | | 013G8568 (26' cap. tube) |

| RA Series | RA2000 | Choose any of the compatible operators below: | |
|--|---|---|---------------------------------|
| | | | 013G8564 |
| Remote mounted dial 013-7002 RA33 013-7003 RA-36 013-7004 RA-66 | 013G8070 Required adapter (For RA valve to RA2000) | | 013G8562 (6' cap. tube) |
| | | | 013G8565 (16' cap. tube) |
| | | | 013G8568 (26' cap. tube) |

Identifiable mounting:
Black or grey metal band w/ flat screw holding the operator to the valve

| RAV Series | RA2000 | Choose any of the compatible operators below: | |
|---|--|---|--|
| | | | 015G4290 |
| Valve mounted dial/sensor 013U8200 RAV "Built-in" 013U1100 RAVN "Built-in" | 013G8072 Required adapter (For RAV valve to RA2000) | | 015G4240 (tamper proof) |
| RAV Series | | | 015G4292 or 015G4042 (tamper proof) |
| Valve mounted dial/sensor 013U8202 RAV "Remote" 013U1102 RAVN "Remote" | 013G8072 Required adapter (For RAV valve to RA2000) | | |



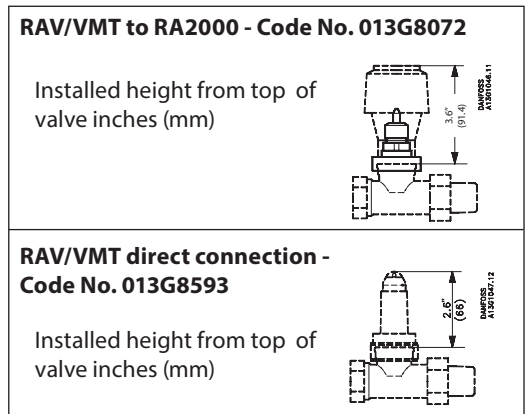
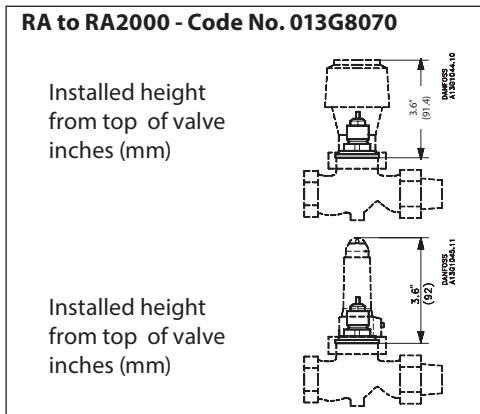
| | | | |
|------------------------------------|------------------------|--|---|
| RAV/VMT Series | | RA2000 | |
| | | | |
| Separate remote sensor/dial | | 013G8593 Required adapter (For RAV/VMT valve to RA2000) | 013G8564 (6' + 6' cap. tube) |
| 013U2241 | 013U7151 RAV-33 | | |
| 013U2211 (BRAVO) | 013G8222 | | |
| RAV/VMT Series | | RA2000 | Choose any of the compatible operators below: |
| | | | |
| Separate remote sensor/dial | | 013G8593 Required adapter (For RAV/VMT valve to RA2000) | 013G8562 (6' cap. tube) |
| 013U2241 | 013U7151 RAV-33 | | 013G8565 (16' cap. tube) |
| 013U2211 (BRAVO) | 013G8222 | | 013G8568 (26' cap. tube) |

Ordering Information:

| Code No. | Type | Description |
|-----------------|-------------------------|---|
| 013G8070 | RA service adapter | RA valve to RA 2000 operator adapter |
| 013G8072 | RAV/VMT service adapter | RAV/VMT valve to RA 2000 operator adapter |
| 013G8593 | RAV/VMT adapter | RA2000 wall mount RAV/VMT socket adapter |

Note: Consult RA2000 Datasheet or website for additional technical information.

Dimensions:



Danfoss

Tel.: 1-888-DANFOSS (326-3677) | Fax: 416-352-5981 | www.heating.danfoss.us

Danfoss can accept no responsibility for possible errors in printed materials and reserves the right to alter its products without notice. All trademarks in this material are property of the respective companies. Danfoss and Danfoss logotype are trademarks of Danfoss A/S. All rights reserved.