

Installation Guide

AK-CC 460

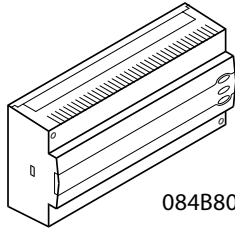


084R8052



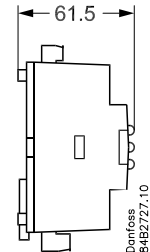
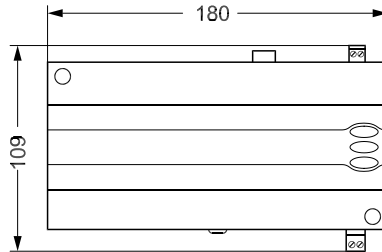
AN234086440123en-000301

Identification



084B8016

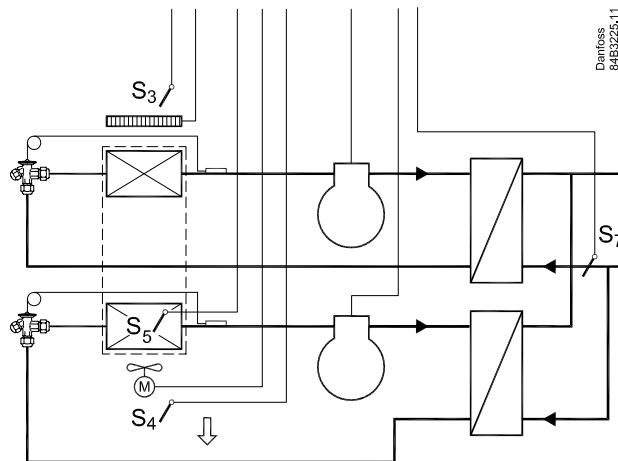
Dimensions



Principle

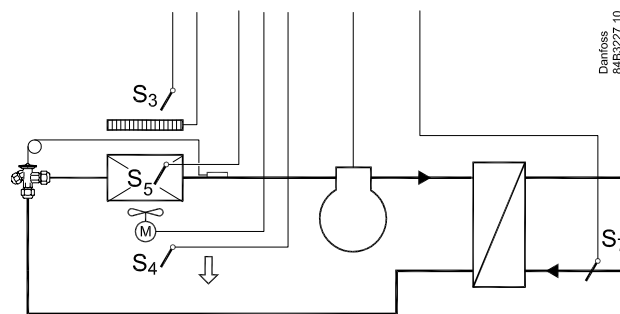
Application 1, 3

- 1: Sequential operation
- 3: Cyclic operation



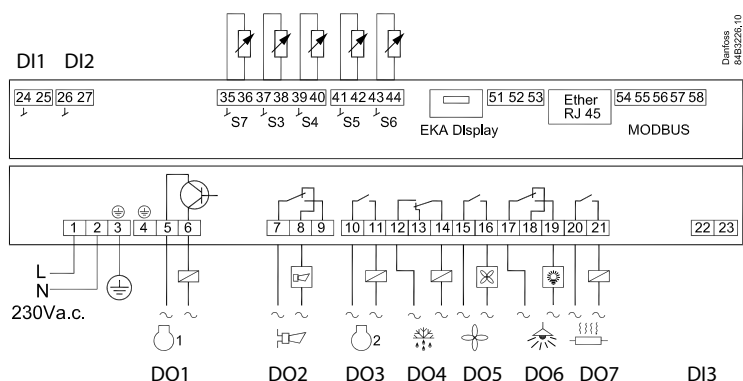
Application 2

Speed control



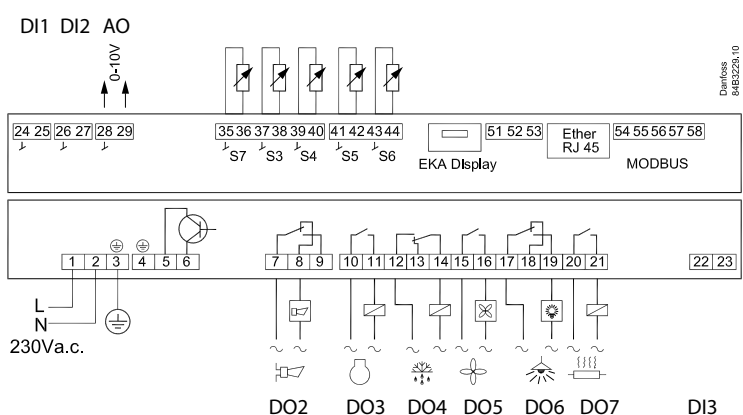
Connections

Application 1 and 3



Solid state output	DO1 (for coil)	Max. 240 V AC , Min. 28 V AC Max. 0.5 A Leak < 1 mA Max. 1 pcs. coil
	DO3, DO4	CE (250 V AC) IBExU approved
Relays	DO2, DO5, DO6, DO7	4 (3) A

Application 2



Overview of outputs and applications

Application	DO1	DO2	DO3	DO4	DO5	DO6	DO7	DI1	DI2	DI3	AI1	AI2	AI3	AI4	AI5	AI6	AO	
1 and 3								●	●	●			S7	S3	S4	S5	S6	
2								●	●	●			S7	S3	S4	S5	S6	0-10V

DI1

Digital input signal.
The defined function is active when the input is short-circuited/ opened. The function is defined in o02.

DI2

Digital input signal.
The defined function is active when the input is short-circuited/ opened. The function is defined in o37.

AO

Analogue output (only application 2)
0 - 10 V signal for compressor speed control.

S7, S3, S4, S5, S6

Pt 1000 ohm
S7, brine sensor, placed in the cold inlet before the heat exchanger
S3, air sensor, placed in the warm air before the evaporator
S4, air sensor, placed in the cold air after the evaporator
(the need for either S3 or S4 can be deselected in the configuration)
S5, defrost sensor, placed on the evaporator
S6, product sensor

EKA Display

If there is a need for external reading/operation of the controller, display type EKA 163B or EKA 164B can be connected.

RS485 (terminal 51, 52, 53)

For data communication, but only if a data communication module is inserted in the controller. The module can be a LON RS485, DANBUSS or a MODBUS.

Terminal 51 = screen
Terminal 52 = A (A+)
Terminal 53 = B (B-)
(For LON RS485 and gateway type AKA 245, the gateway must be version 6.20 or higher.)

RJ45

For data communication, but only if a TCP/IP module is inserted in the controller. (OEM)

MODBUS

For data communication.
Terminal 56 = screen
Terminal 57 = A+
Terminal 58 = B-
(Alternatively the terminals can be connected to an external display type EKA 163A or 164A, but then they cannot be used)

for data communication. Any data communication must then be carried out by one of the other methods.)

Supply voltage

230 V AC, 50/60 Hz

DO1

Compressor 1 (only application 1 and 3)

Connection of relay. The coil must be a 230 V AC coil.

DO2

Alarm

There is a connection between terminal 7 and 8 in alarm situations and when the controller is without power.

DO3

Compressor 2

There is connection between terminal 10 and 11 when the compressor is on.

DO4

Defrost

There is connection between terminal 12 and 14 when defrosting takes place.

DO5

Fan

There is connection between terminal 15 and 16 when the fan is on.

DO6

Light relay

There is connection between terminal 17 and 18 when the light must be on.

DO7

Rail heat

There is connection between terminal 20 and 21 when the rail heat is on.

DI3

Digital input signal

Safety circuits compressor 1 and 2

The signal must have a voltage of 0 / 230 V AC

Data communication

If data communication is used, it is important that the installation of the data communication cable is performed correctly.

See separate literature No. RC8AC...

Electric noise

Cables for sensors, DI inputs and data communication **must** be kept separate from other electric cables:

- Use separate cable trays
- Keep a distance between cables of at least 10 cm
- Long cables at the DI input should be avoided

Installation considerations

Accidental damage, poor installation, or site conditions, can give rise to malfunctions of the control system, and ultimately lead to a plant breakdown.

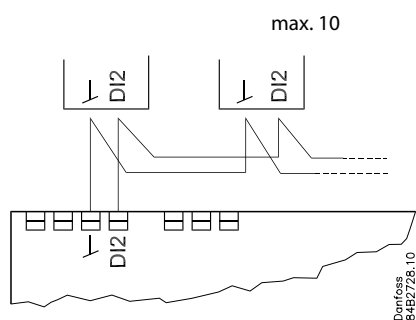
Every possible safeguard is incorporated into our products to prevent this. However, a wrong installation, for example, could still present problems. Electronic controls are no substitute for normal, good engineering practice.

Danfoss will not be responsible for any goods, or plant components, damaged as a result of the above defects. It is the installer's responsibility to check the installation thoroughly, and to fit the necessary safety devices.

Special reference is made to the necessity of signals to the controller when the compressor is stopped and to the need of liquid receivers before the compressors.

Your local Danfoss agent will be pleased to assist with further advice, etc.

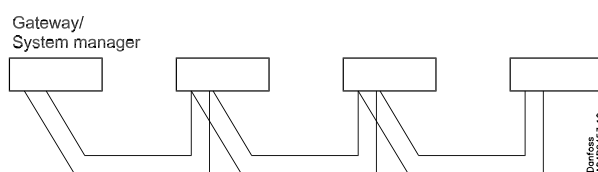
Coordinated defrost via cable connections



The following controllers can be connected up in this way:
EKC 204A, AK-CC 210, AK-CC 250,
AK-CC 450, AK-CC 460, AK-CC 550, AK-CC 55.

Refrigeration is resumed when all controllers have "released" the signal for defrost.

Coordinated defrost via data communication

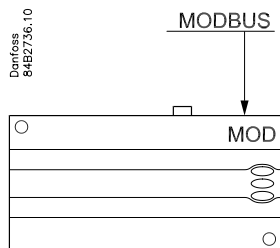


The setting of controllers to coordinate their defrosting takes place in the gateway/system manager.

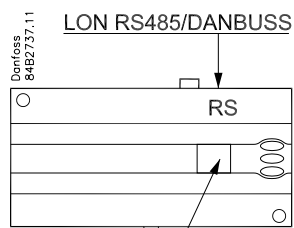
Refrigeration is resumed when all controllers have "released" the signal for defrost.

Data communication

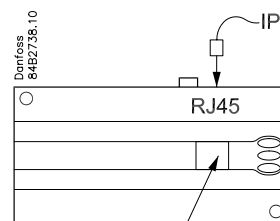
Important All connections to the data communication MODBUS, RS 485 and DANBUSS must comply with the requirements for data communication cables. See literature: RC8AC.



AK-SM....



AKA 245 version 6.20+ / AK-SM...

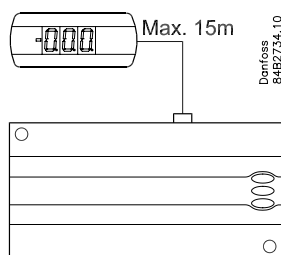


OEM

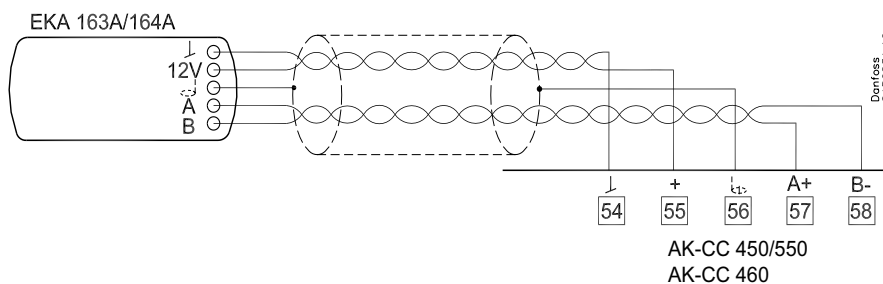
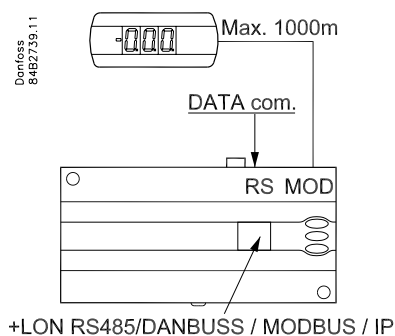
System manager / Gateway

Display EKA 163 / 164

L < 15 m



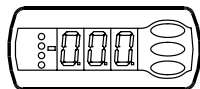
L > 15 m



Operation

Controller/Display

The values will be shown with three digits, and with a setting you can determine whether the temperature is to be shown in °C or °F.



Light-emitting diodes (LED) on front panel

The LEDs on the front panel will light up when the relevant relay is activated.

= Refrigeration

= Defrost

= Fan running

The light-emitting diodes will flash when there is an alarm. In this situation you can download the error code to the display and cancel/accept the alarm by giving the top button a brief push.

The buttons

When you want to change a setting, the upper and the lower buttons will give you a higher or lower value depending on the button you are pushing. But before you change the value, you must have access to the menu. You obtain this by pushing the upper button for a couple of seconds - you will then enter the column with parameter codes. Find the parameter code you want to change and push the middle button until value for the parameter is shown. When you have changed the value, save the new value by once more pushing the middle button.

Examples

Set menu

1. Push the upper button until a parameter r01 is shown
2. Push the upper or the lower button and find the parameter you want to change
3. Push the middle button until the parameter value is shown
4. Push the upper or the lower button and select the new value
5. Push the middle button again to set the value.

Cut-out alarm relay / receipt alarm/see alarm code

- A short press of the upper button.
If there are several alarm codes they are found in a rolling stack. Push the uppermost or lowermost button to scan the rolling stack.

Set temperature

1. Push the middle button until the temperature value is shown
2. Push the upper or the lower button and select the new value
3. Push the middle button again to conclude the setting.

Reading the temperature at defrost sensor (or product sensor, if selected in o92.)

- A short press of the lower button.

Manual start or stop of a defrost

- Push the lower button for four seconds.

Get a good start

With the following procedure you can start regulation very quickly:

- 1 Open parameter r12 and stop the regulation (in a new and not previously set unit, r12 will already be set to 0 which means stopped regulation).
- 2 Select electrical connection based on the drawings on page 2.
- 3 Open parameter o61 and set the electric connection number.
- 4 Open parameter r12 and start the regulation.
- 5 Go through the survey of factory settings. Make any necessary changes in the respective parameters.
- 6 For network. Set the address in o03.
- 7 Send address to system unit:
 - MODBUS: Activate scan function in system unit
 - If another data communication card is used in the controller:
 - LON RS485: Activate the function o04

Menu survey

SW = 1.2x

Function	Parameter	Code	wiring diagram		Min. value	Max. value	Factory setting	Actual setting
			1 & 3	2				
Normal operation								
Temperature (setpoint)		---	1	1	-50 °C	50 °C	2	
Thermostat								
Differential		r01	1	1	0.1 K	20 K	2	
Max. limitation of setpoint setting		r02	1	1	-49 °C	50 °C	50	
Min. limitation of setpoint setting		r03	1	1	-50 °C	49 °C	-50	
Adjustment of temperature indication		r04	1	1	-10	10	0	
Temperature unit (°C/°F)		r05	1	1	0/°C	1/F	0/°C	
Correction of the signal from S4		r09	1	1	-10 K	10 K	0	
Correction of the signal from S3		r10	1	1	-10 K	10 K	0	
Manual service, stop regulation, start regulation (-1, 0, 1)		r12	1	1	-1	1	0	
Displacement of reference during night operation		r13	1	1	-50 K	50 K	0	
Thermostat function (readout) 1= ON/OFF, 2=modulating		r14	1	1	—	—	—	
Definition and weighting, if applicable, of thermostat sensors - S4% (100%=S4, 0%=S3)		r15	1	1	0 %	100 %	100	
Time between melt periods		r16	1	1	0 hrs	10 hrs	1	
Duration of melt periods		r17	1	1	0 min.	30 min.	5	
Temperature setting for thermostat band 2 . As differential r01 is used		r21	1	1	-50 °C	50 °C	2	
Correction of the signal from S6		r59	1	1	-10 K	10 K	0	
Definition and weighting, if applicable, of thermostat sensors when night cover is on. (100%=S4, 0%=S3)		r61	1	1	0 %	100 %	100	
S4 min. limit, frost protection. Cooling is stopped.		r98	1	1	-50 °C	20 °C	-50 °C	
Alarm settings								
Delay for temperature alarm		A03	1	1	0 min.	240 min.	30	
Delay for door alarm		A04	1	1	0 min.	240 min.	60	
Delay for temperature alarm after defrost		A12	1	1	0 min.	240 min.	90	
High alarm limit for thermostat 1		A13	1	1	-50 °C	50 °C	8	
Low alarm limit for thermostat 1		A14	1	1	-50 °C	50 °C	-30	
High alarm limit for thermostat 2		A20	1	1	-50 °C	50 °C	8	
Low alarm limit for thermostat 2		A21	1	1	-50 °C	50 °C	-30	
High alarm limit for sensor S6 at thermostat 1		A22	1	1	-50 °C	50 °C	8	
Low alarm limit for sensor S6 at thermostat 1		A23	1	1	-50 °C	50 °C	-30	
High alarm limit for sensor S6 at thermostat 2		A24	1	1	-50 °C	50 °C	8	
Low alarm limit for sensor S6 at thermostat 2		A25	1	1	-50 °C	50 °C	-30	
S6 alarm time delay With setting = 240 the S6 alarm will be omitted		A26	1	1	0 min.	240 min.	240	
Alarm time delay or signal on the DI1 input		A27	1	1	0 min.	240 min.	30	
Alarm time delay or signal on the DI2 input		A28	1	1	0 min.	240 min.	30	
Signal for alarm thermostat. S4% (100%=S4, 0%=S3)		A36	1	1	0 %	100 %	100	
Delay for S6 (product sensor alarm) after defrost		A52	1	1	0 min.	240 min.	90	
Alarm limit for max. S7 brine temperature		A76	1	1	-50 °C	50 °C	8 °C	
Differential for S7 brine alarm		A77	1	1	0.1 K	10 K	3.0 K	
Compressor								
Min. ON-time		c01	1	1	0 min.	30 min.	0	
Min. OFF-time		c02	1	1	0 min.	30 min.	0	
Time delay for cut-in of comp.2		c05	1		0 sec.	999 sec.	5	
Compressor min. speed		c46		1	25 Hz	70 Hz	30	
Compressor start speed. Must be set higher than "Min. speed"		c47		1	30 Hz	70 Hz	50	
Compressor max. speed		c48		1	50 Hz	100 Hz	100	
KP for compressor PI control		c82		1	3	30	20	
Tn for compressor PI control		c83		1	30 sec.	360 sec.	60	

Continued	Code	wiring diagram	Min.	Max.	Fac.	Actual
Compressor on time when sensor fault	c86	1	0 min	240 min	15	
Compressor off time when sensor fault	c87	1	0 min.	240 min.	15	
Compressor speed at sensor error	c93	1	25 Hz	100 Hz	60	
Max. sloperate (max. allowed change of speed per sec..)	c96	1	0.1 Hz/s	5 Hz/s	1	
Max Proportional factor Kp for PI control	n95	1	5	50	20	
Defrost						
Defrost method: 0=none, 1= EL	d01	1	1	0/No	1/EL	1/EL
Defrost stop temperature	d02	1	1	0 °C	50 °C	6
Interval between defrost starts	d03	1	1	0 hrs/ Off	240 hrs	8
Max. defrost duration	d04	1	1	0 min.	360 min.	45
Displacement of time on cut-in of defrost at start-up	d05	1	1	0 min.	240 min.	0
Drip off time	d06	1	1	0 min.	60 min.	0
Delay for fan start after defrost	d07	1	1	0 min.	60 min.	0
Fan start temperature	d08	1	1	-50 °C	0 °C	-5
Fan cut-in during defrost 0: stopped 1 & 2: Running	d09	1	1	0	2	1
Defrost sensor: 0 =Stop on time, 1=S5, 2=S4, 3=S5 and S6	d10	1	1	0	3	0
Pump down delay	d16		1	0 min.	60 min.	0
Max. aggregate refrigeration time between two defrosts	d18	1	1	0 hrs	48 hrs	0/OFF
Rail heat during defrost 0: off 1: on 2: pulsing	d27	1	1	0	2	2
Max. duration of -d- in display	d40	1	1	5 min.	240 min.	30
Fan						
Fan stop temperature (S5)	F04	1	1	-50 °C	50 °C	50
Pulse operation on fans: 0=No pulse operation, 1=At thermostat cut outs only, 2= Only at thermostat cut-outs during night operation	F05	1	1	0	2	0
Cycle time for fan pulsation (on-time + off-time)	F06	1	1	1 min.	30 min.	5
On-time in % of cycle time	F07	1	1	0 %	100 %	100
Real time clock						
Six start times for defrost. Setting of hours. 0=OFF	t01 - t06	1	1	0 hrs	23 hrs	0
Six start times for defrost. Setting of minutes. 0=OFF	t11 - t16	1	1	0 min.	59 min.	0
Clock - Setting of hours	t07	1	1	0 hrs	23 hrs	0
Clock - Setting of minutes	t08	1	1	0 min.	59 min.	0
Clock - Setting of date	t45	1	1	1 day	31 days	1
Clock - Setting of months	t46	1	1	1 mon.	12 mon.	1
Clock - Setting of years	t47	1	1	0 year	99 years	0
Miscellaneous						
Delay of output signals after power failure	o01	1	1	0 sec.	600 sec.	5
Input signal on DI1. Function: 0=not used. 1=status on DI1. 2=door function with alarm when open. 3=door alarm when open. 4=defrost start (pulse signal). 5=ext.main switch. 6=night operation 7=thermostat band changeover (activate r21). 8=alarm function when closed. 9=alarm function when open. 10=case cleaning (pulse signal). 12=night cover. 15=appliance shutdown	o02	1	1	0	15	0
Network address (0= off)	o03	1	1	0	240	0
On/Off switch (Service Pin message) IMPORTANT! o61 must be set prior to o04 (used at LON 485 only)	o04	1	1	0/Off	1/On	0/Off

Continued		Code	wiring diagram	Min.	Max.	Fac.	Actual
Access code 1 (all settings)		o05	1 1	0	100	0	
Software Version		o08	1 1				
Mains frequency		o12	1	50 Hz	60 Hz	50	
Max. hold time after coordinated defrost		o16	1 1	0 min.	360 min.	20	
Select signal for display view. S4% (100%=S4, 0%=S3)		o17	1 1	0 %	100 %	100	
Input signal on DI2. Function: 0=not used. 1=status on DI2. 2=door function with alarm when open. 3=door alarm when open. 4=defrost start (pulse signal). 5=ext. main switch 6=night operation 7=thermostat band changeover (activate r21). 8=alarm function when closed. 9=alarm function when open. 10=case cleaning (pulse signal). 12=night cover, 13=coordinated defrost. 15=appliance shutdown		o37	1 1	0	15	0	
Configuration of light function: 1=light follows day /night operation, 2=light control via data communication via 'o39', 3=light control with a DI-input, 4=as "2", but light switches on and night cover will open if the network cuts out for more than 15 minutes.		o38	1 1	1	4	1	
Activation of light relay (only if o38=2) On=light		o39	1 1	0/Off	1/On	0/Off	
Rail heat On time during day operations		o41	1 1	0 %	100 %	100	
Rail heat On time during night operations		o42	1 1	0 %	100 %	100	
Rail heat cycle time (On time + Off time)		o43	1 1	6 min.	60 min.	10	
Case cleaning. 0=no case cleaning. 1=fans only. 2=all output Off.	***	o46	1 1	0	2	0	
Selection of wiring diagram. See overview page 2. 1=Two compressors controlled sequentially 2= One compressor speed controlled 3= Two compressors controlled cyclic	*	o61	1 1	1	3	1	
Access code 2 (partial access)	***	o64	1 1	0	100	0	
Replace the controller's factory settings with the present settings		o67	1 1	0/Off	1/On	0/Off	
Rail heat control 0=not used, 1=pulse control with timer function (o41 and o42), 2=pulse control with dew point function		o85	1 1	0	2	0	
Dew point value where the rail heat is minimum		o86	1 1	-10 °C	50 °C	8	
Dew point value where the rail heat is 100% on		o87	1 1	-9 °C	50 °C	17	
Lowest permitted rail heat effect in %		o88	1 1	0 %	100 %	30	
Time delay from "open door" refrigeration is started		o89	1 1	0 min.	240 min.	30	
Definition of readings on lower button: 1=defrost stop sensor, 2=S6 sensor		o92	1 1	1	2	1	
Display of temperature 1= u56 air temperature 2= u36 product temperature		o97	1 1	1	2	1	
Light and night blinds defined: 0: Light is switched off and night blind is opened when the main switch is off 1: Light and night blind are independent of main switch		o98	1 1	0	1	0	
Configuration of alarm relay The alarm relay will be activated upon an alarm signal from the following groups: 1 - High temperature alarms 2 - Low temperature alarms 4 - Sensor error 8 - Digital input is activated for alarm 16 - Defrost alarms 32 - Miscellaneous The groups that are to activate the alarm relay must be set by using a numerical value which is the sum of the groups that must be activated. (E.g. a value of 5 will activate all high temperature alarms and all sensor errors). 0 = Cancel relay function		P41	1 1	0	63	47	
Stop time for fan while night blind rolls down		P65	1 1	0 min.	5 min.	0 min.	

Service				
Temperature measured with S5 sensor		u09	1	1
Status on DI1 input. on/1=closed		u10	1	1
Actual defrost time (minutes)		u11	1	1
Temperature measured with S3 sensor		u12	1	1
Status on night operation (on or off) 1=on		u13	1	1
Temperature measured with S4 sensor		u16	1	1
Thermostat temperature		u17	1	1
Run time of thermostat (cooling time) in minutes		u18	1	1
Temperature measured with S6 sensor (product temperature)		u36	1	1
Status on DI2 output. on/1=closed		u37	1	1
Readout the compressor capacity in %		U52		1
Display air temperature. Weighted S3 + S4 (o17)		u56	1	1
Measured temperature for alarm thermostat. Weighted S3 + S4 (A36)		u57	1	1
Status on relay for compressor 1	**	u58	1	
Status on relay for fan	**	u59	1	1
Status on relay for defrost	**	u60	1	1
Status on relay for rail heat	**	u61	1	1
Status on relay for alarm	**	u62	1	1
Status on relay for light	**	u63	1	1
Status on relay for compressor 2	**	u67	1	1
Readout of the actual rail heat effect		u85	1	1
1: Thermostat 1 operating, 2: Thermostat 2 operating		u86	1	1
Status on high voltage input DI3		u87	1	1
Readout of thermostat's actual cut-in value		u90	1	1
Readout of thermostat's actual cut-out value		u91	1	1
Readout of brine temperature S7		u98	1	1
Readout of voltage on AO output		U44		1

*) Can only be set when regulation is stopped (r12=0)

**) Can be controlled manually, but only when r12=-1

***) With access code 2 the access to these menus will be limited

Forced control

If you need to force-control an output, you should set r12 to -1 (manual mode). You should then select the relevant relay function, e.g. u58. Go to the function by pressing the middle button. Select On.

Factory setting

If you need to return to the factory-set values, it can be done in this way:

- Cut out the supply voltage to the controller.
- Keep upper and lower button depressed at the same time as you reconnect the supply voltage.

Factory settings are indicated for standard units. Other code numbers have customized settings.

Fault message		
<p>In an error situation the LEDs on the front will flash and the alarm relay will be activated. If you push the top button in this situation you can see the alarm report in the display.</p> <p>There are two kinds of error reports - it can either be an alarm occurring during the daily operation, or there may be a defect in the installation. A-alarms will not become visible until the set time delay has expired. E-alarms, on the other hand, will become visible the moment the error occurs.</p> <p>(An A alarm will not be visible as long as there is an active E alarm). Here are the messages that may appear:</p>		
Code / Alarm text via data communication	Description	Alarm relay groups (P41)
A1/--- High t.alarm	High temperature alarm	1
A2/--- Low t. alarm	Low temperature alarm	2
A4/--- Door alarm	Door alarm	8
A5/--- Max hold time	The "o16" function is activated during a coordinated defrost	16
A13/--- High temp S6	Temperature alarm. High S6	1
A14/--- Low temp S6	Temperature alarm. Low S6	2
A15/--- DI1 alarm	DI1 alarm	8
A16/--- DI2 alarm	DI2 alarm	8
A45/--- Standby mode	Standby position (stopped refrigeration via r12 or DI input)	-
A59/--- Case clean	Case cleaning. Signal from DI input	-
A97/--- Comp. Safety	Compressor safety. Signal from DI3 input	8
AA3/---High brine temp.	High brine temperature alarm	8
E1/--- Ctrl. error	Faults in the controller	32
E6/--- RTC error	Check clock	32
E25/--- S3 error	Error on S3 sensor	4
E26/--- S4 error	Error on S4 sensor	4
E27/--- S5 error	Error on S5 sensor	4
E28/--- S6 error	Error on S6 sensor	4
E50/--- S7 error	Error on S7 sensor	4
---/--- Max Def.Time	Defrost stopped based on time instead of, as wanted, on temperature	16
Data communication		
<p>The importance of individual alarms can be defined with a setting. The setting must be carried out in the group "Alarm destinations"</p>		
Settings from System manager AK-SM	Settings from AKM (AKM destination)	Send via Network
High	1	X
Middle	2	X
Low	3	X
Log only		
Disabled		

Operating status		(Measurement)
The controller goes through some regulating situations where it is just waiting for the next point of the regulation. To make these "why is nothing happening" situations visible, you can see an operating status on the display. Push briefly (1s) the upper button. If there is a status code, it will be shown on the display. The individual status codes have the following meanings:		Ctrl. state: (Shown in all menu displays)
Normal regulation	S0	0
Waiting for end of the coordinated defrost	S1	1
When the compressor is operating it must run for at least x minutes.	S2	2
When the compressor is stopped, it must remain stopped for at least x minutes.	S3	3
The evaporator drips off and waits for the time to run out	S4	4
Refrigeration stopped by main switch. Either with r12 or a DI-input	S10	10
Refrigeration stopped by thermostat	S11	11
Defrost sequence. Defrost in progress	S14	14
Defrost sequence. Fan delay — water attaches to the evaporator	S15	15
Door is open. DI input is open	S17	17
Melt function in progress. Refrigeration is interrupted	S18	18
Modulating thermostat control	S19	19
Emergency cooling due to sensor error *)	S20	20
Manual control of outputs	S25	25
Case cleaning	S29	29
Delay on outputs during start-up	S32	32
Case shutdown	S45	45
<i>Other displays:</i>		
The defrost temperature cannot be displayed. There is stop based on time	non	
Defrost in progress / First cooling after defrost	-d-	
Password required. Set password	PS	
Regulation is stopped via main switch	OFF	

*) Emergency cooling will take effect when there is lack of signal from a defined S3 or S4 sensor. The regulation will continue with a registered average cut-in frequency. There are two registered values – one for day operation and one for night operation.

Additional information:
Manual RS8HS...