

Data sheet

Micro Plate Heat Exchanger (MPHE): XB06

Description



Micro Plate Heat Exchangers - a revolutionary technology from Danfoss.

Characterized by their unique plate pattern, MPHEs enable heat to be transferred more efficient than any previous model of heat exchangers.

Benefits:

- Energy and cost savings
- Better heat transfer
- Lower pressure loss
- More flexible design
- Longer life time

more on:
store.danfoss.com

XB06 is brazed heat exchanger, designed and configured for District Heating, District Cooling and other Heating applications.

Approval:
Pressure Equipment Directive (PED).

Ordering

1-pass heat exchanger **XB06 Cu**

Picture	No. of plates, n	Connection	XB06L-1	XB06H-1	XB06H+-1
			Code No.		
	10	Thread G 3/4	004B2025	004B2037	004B1207
	16		004B2026	004B2038	004B1209
	20		004B2027	004B2039	004B1211
	26		004B2028	004B2041	004B1212
	30		004B2029	004B2042	004B1214
	36		004B2030	004B2043	004B1216
	40		004B2031	004B2044	004B1217
	50		004B2032	004B2046	004B1219
	60		004B2033	004B2047	004B1221
	70		004B2034	004B2048	004B1222
	80		-	-	004B1223

1-pass heat exchanger **XB06 Cu + ¹⁾**

Picture	No. of plates, n	Connection	XB06L-1	XB06H-1
			Code No.	
	10	Thread G 3/4	004H4705	004H4693
	16		004H4706	004H4694
	20		004H4707	004H4695
	26		004H4709	004H4697
	30		004H4710	004H4698
	36		004H4711	004H4699
	40		004H4712	004H4700
	50		004H4713	004H4701
	60		004H4714	004H4702
	70		004H4715	004H4703

¹⁾ Available on request

Ordering (continued)

1-pass heat exchanger **XB06 StS** ¹⁾

Picture	No. of plates, n	Connection	XB06L-1	XB06H-1
			Code No.	
	10	Thread G 3/4	004H4613	004H4601
	16		004H4614	004H4602
	20		004H4615	004H4603
	26		004H4617	004H4605
	30		004H4618	004H4606
	36		004H4619	004H4607
	40		004H4620	004H4608
	50		004H4621	004H4609
	60		004H4622	004H4610
	70		004H4623	004H4611

¹⁾ Available on request

Accessories-Tailpieces

Picture	Description	Connection	Code No. ¹⁾
	Solder tailpieces	G 3/4/15 mm	004B2945
	Weld-on tailpieces	G 3/4/DN 15	003H6908 ²⁾
		G 3/4/DN 20	004B2944
	Threaded tailpieces	G 3/4/G 3/4	004B2947
		G 3/4/G 1	004B2953

¹⁾ One set contains 2 tailpieces with union nuts and gaskets

²⁾ PL08 to be contacted for further details

Accessories-PU Insulation set **XB06-1**

Picture	No. of plates, n	Code No.
	L: 10-26 H: 10-26 H+: 10-40"	004B1191
	L: 30-48 H: 30-48 H+: 50-80	004B1192
	L: 50-70 H: 50-70	004B1193

Accessories-EPP Insulation set **XB06-1**

Picture	No. of plates, n	Code No.
	L: 10-20 H: 10-26 H+: 10-36	079G1287
	H: 30 H+: 40	079G1288
	L: 26-30 H: 36-40 H+: 50	079G1289

Accessories-Bracket

Picture	Code No.
	004B2948

Technical data

Type		XB06L-1	XB06H-1	XB06H+
Max. working pressure Cu	bar	25		
Max. working pressure Cu+		25	-	
Max. working pressure StS		16	-	
Min. / Max. temperature	°C	-196/180		
Flow medium	DH: Circulation water / glycolic water up to 50% DC: ethylene-, propylene-glycolic water, ethanol-water solutions and other suitable heat transfer media. (Please contact your Danfoss representative).			
Volume / Channel	Ltr	0,025	0,017	0,018
Connection type	Cylindrical external thread acc. to DIN ISO 228/1			
Connection size	G 3/4			
Weight	kg	0,67 + 0,08 × n		0,6 + 0,07 × n
Materials				
Plate	Stainless steel, mat. no. 1.4404			
Brazing	Copper (Cu); CoResist (Cu+) ¹⁾ ; Stainless steel (StS) ¹⁾			

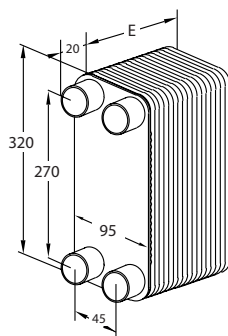
¹⁾ Available on request

Insulation

Type		PU (Polyurethane)	EPP (Expanded polypropylen insulation)
Wall thickness	mm	20	20
Heat conductivity, λ	W/mK	0,035	0,036
Max temperature	Permanent	130	110 (60) ¹⁾
	Short term peak	160	

¹⁾ Contact surface up to 60°C.

Dimension

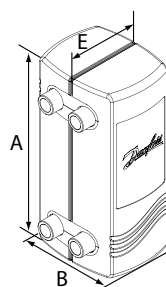
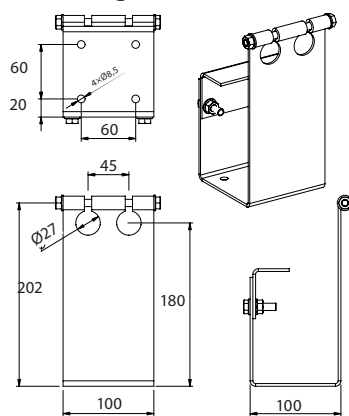


Type	Connection	E (mm)	Weight empty (kg)
XB06 L-...	G ¾ ¹⁾	7 + 1,6 × n	0,67 + n × 0,08
XB06 H-...		7 + 1,25 × n	
XB06H+ ...		7 + 0,95 × n	

n = number of plates

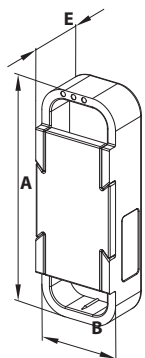
¹⁾ Cylindrical external thread acc. to DIN ISO 228/1

Mounting brackets



PU Insulation XB06-1

No. of plates	A B E			Code No.
	mm			
L: 10-26 H: 10-26 H+: 10-40	368	138	98	004B1191
L: 30-48 H: 30-48 H+: 50-80		142	138	004B1192
L: 50-70 H: 50-70		149	168	004B1193



EPP Insulation XB06-1

No. of plates	A B E			Code No.
	mm			
L: 10-20 H: 10-26 H+: 10-36	353	128	77	079G1287
H: 30 H+: 40			82	079G1288
L: 26-30 H: 36-40 H+: 50			94	079G1289

Tailpieces

Picture	Description	Connection	a	b	SW ¹⁾	Code No.
			mm			
	Solder tailpieces	G ¾ / 15 mm	15	35	32	004B2945
		G ¾ / 18 mm	18	35	32	004B2946
	Weld-on tailpieces	G ¾ / DN 20	21,2	35	32	004B2944
	Threaded tailpieces	G ¾ / G ¾	¾"	40	32	004B2947
		G ¾ / G 1	1"	22	32	004B2953

¹⁾ Union nut, width across flats



Danfoss A/S

Climate Solutions • danfoss.com • +45 7488 2222

Any information, including, but not limited to information on selection of product, its application or use, product design, weight, dimensions, capacity or any other technical data in product manuals, catalogues descriptions, advertisements, etc. and whether made available in writing, orally, electronically, online or via download, shall be considered informative, and is only binding if and to the extent, explicit reference is made in a quotation or order confirmation. Danfoss cannot accept any responsibility for possible errors in catalogues, brochures, videos and other material. Danfoss reserves the right to alter its products without notice. This also applies to products ordered but not delivered provided that such alterations can be made without changes to form, fit or function of the product.

All trademarks in this material are property of Danfoss A/S or Danfoss group companies. Danfoss and the Danfoss logo are trademarks of Danfoss A/S. All rights reserved.