

Installation Guide

en AKS 4100 / AKS 4100U Liquid Level Sensor - Cable version

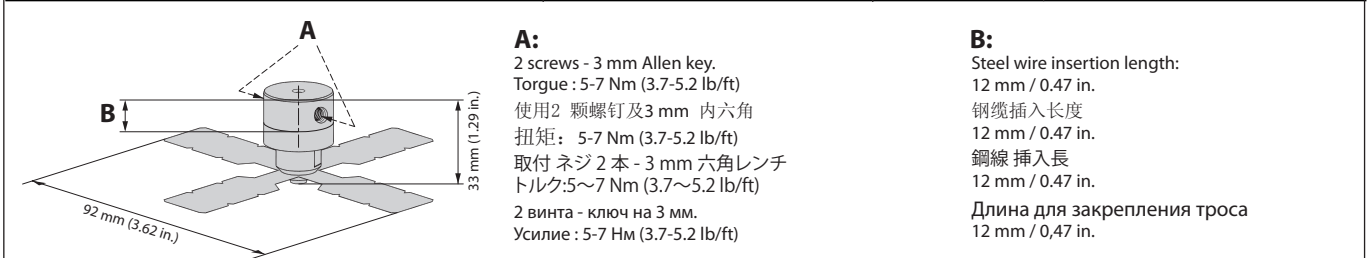
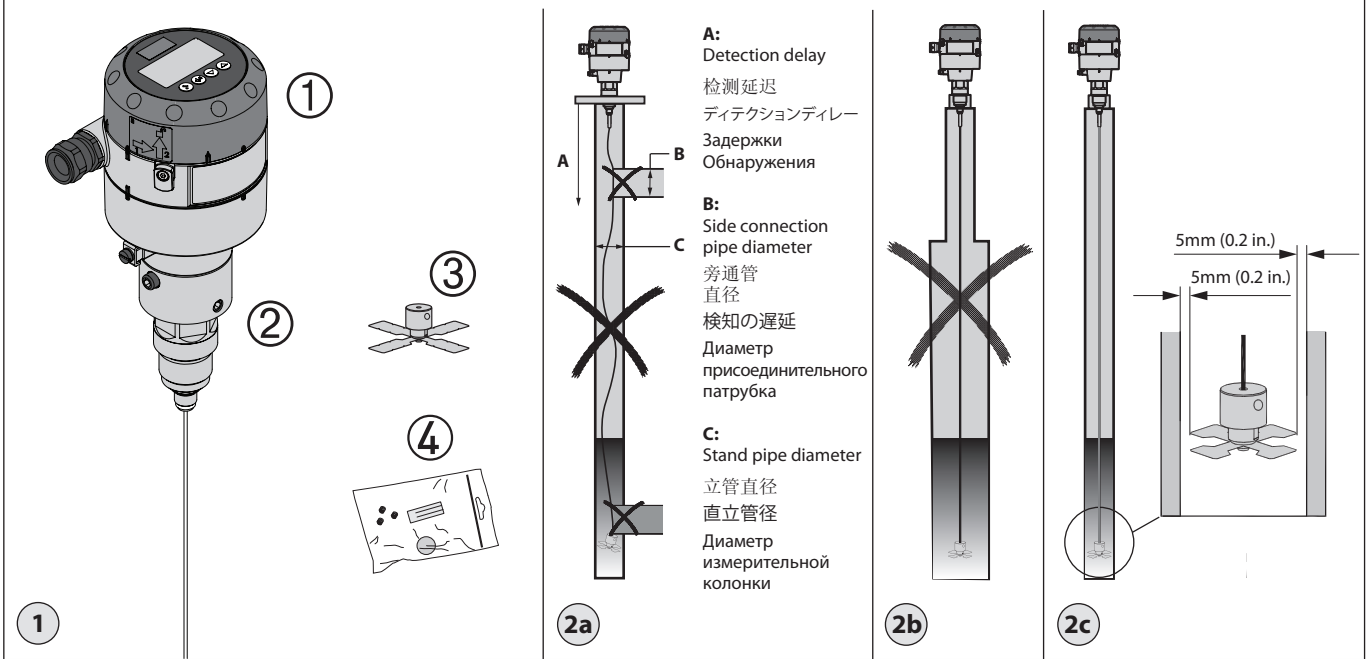
zh 液位传感器 AKS 4100 / AKS 4100U - 电缆版本

jp タイプ AKS 4100 / 4100U ケーブルバージョン

ru Уровнимер AKS 4100 Тросовая версия

148R9621

148R9621



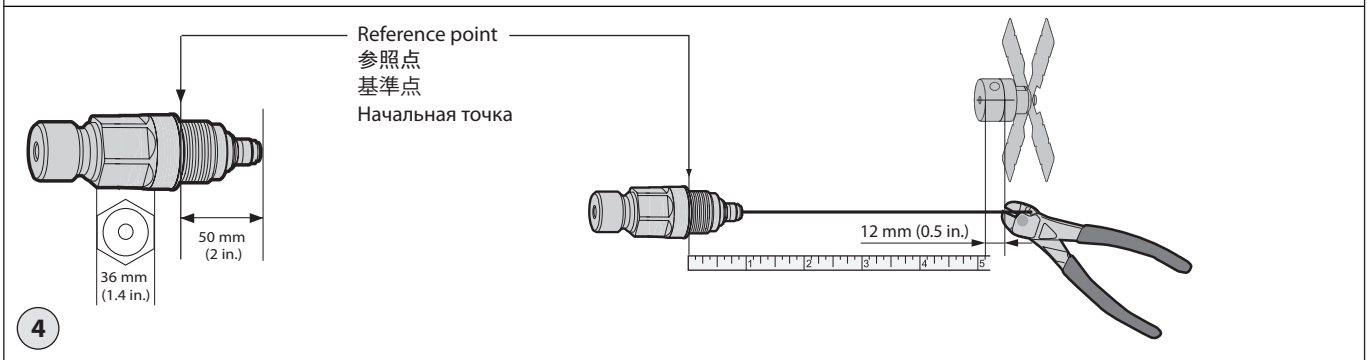
Standpipe/Column 立管/豎管 直立管/柱 Измерительная колонка

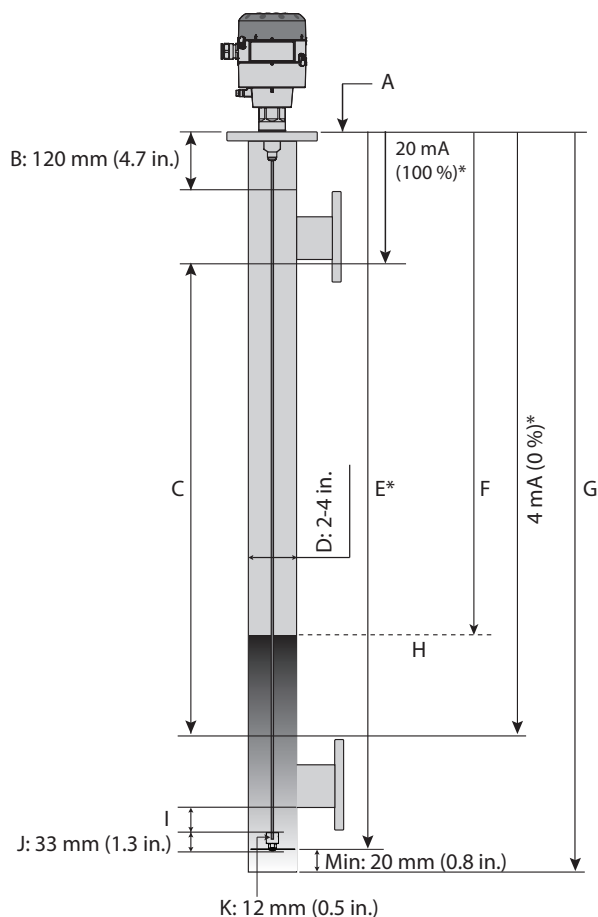
C 2 in. Pipe / 管道 / インチ管 / Труба		D 3 in. Pipe / 管道 / インチ管 / Труба		E 4 in. Pipe / 管道 / インチ管 / Труба	
Inner diameter / 內徑 / 內徑 / Внутренний диаметр :					
[mm]	[in.]	[mm]	[in.]	[mm]	[in.]
52	2.05	78	3.07	102*	4.02*

Total length of guided blades after cutting / 切断后导叶的总长度 / 切断後のガイド付き羽根の全長 / Длина лопастей груза после обрезки :

[mm]	[in.]	[mm]	[in.]	[mm]	[in.]
45	1.77	70	2.76	92*	3.62*

* No need to cut guided blades / 无需切断导叶 / Гайд付きブレードは切断不要 / Нет необходимости в обрезке лопастей груза





	en	zh	jp	ru
A	Reference point	参照点	基準点	Точка отсчета
B	Top dead zone	顶端死区	上部デッドゾーン	Верхние мертвые зоны
C	Measuring range	測量范围	計測範囲	Диапазон измерения
D	Stand pipe diameter	立管直径	直立管径	Диаметр стояка
E	Probe length	探头长度	プローブ長	Длина датчика
F	Distance	距离	距離	Расстояние
G	Inner length of stand pipe	立管内部长度	直立管の内部長さ	Внутренняя длина стояка
H	Surface level	液位	液面レベル	Поверхностный уровень
I	Buttom dead zone (see tables)	底端死区 (参见表格)	下部デッドゾーン (表を参照)	Нижняя мертвая зона (см. таблицы)
J	Counter weight	平衡重	釣り合いおもり	Противовес
K	Steel wire insertion length	钢线插入长度	鋼線挿入長	Длина прокладки стального провода

5

* Values to be entered into HMI Quick Setup menu and recorded on the setting label. Stick the setting label onto the Signal Converter either inside or outside.

将数值输入到 HMI 快速设置菜单，并在设置标签上标明。
将设置标签粘贴到信号转换器上，内侧或外侧均可。

HMI クイックセットアップメニュー及び設定ラベルに記録された値で登録されます。信号変換器の内部または外部のどちらかに設定ラベルを貼り付けます。

Значения должны быть введены в меню «Быстрая настройка» интерфейса «человек-машина» и записаны на бирке уровнемера. Закрепите бирку на преобразователе сигналов.

Bottom deadzone values based on the factory setting of dielectric constant

底端死区值取决于出厂时设定的介电常数

下部デッドゾーンの値は工場出荷時の誘電率設定に基づきます

Заводская настройка уровнемера AKS 4100 тросовая версия

Refrigerant 制冷剂 冷媒 Хладагент	Probe length range 探头长度范围 プローブ長範囲 Длина троса		Bottom dead zone 底端死区 下部デッドゾーン Нижняя мертвая зона	
	[mm]	[in.]	[mm]	[in.]
Ammonia 氨 アンモニア Аммиак HFC, HCFC	800	31.5	115	4.2
	801 - 999	31.5 - 39	120	4.7
	1000 - 1999	39 - 79	150	5.9
	2000 - 2999	79 - 118	180	7.1
	3000 - 3999	118 - 157	210	8.3
	4000 - 5000	157 - 197	240	9.4

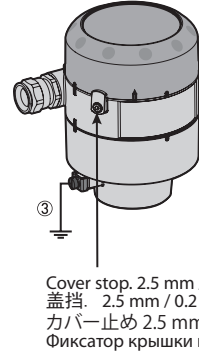
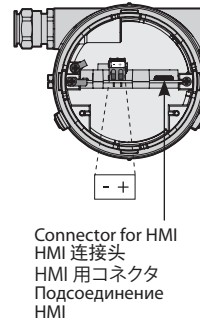
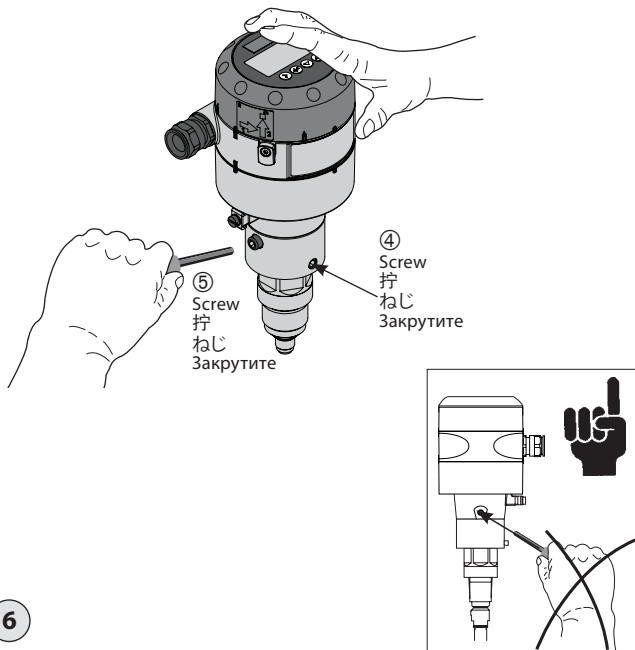
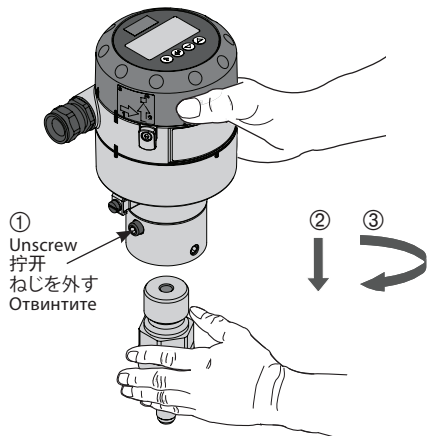
Improved Bottom dead zone values after the adjustment of dielectric constant

调整介电常数后，底端死区值有所改善

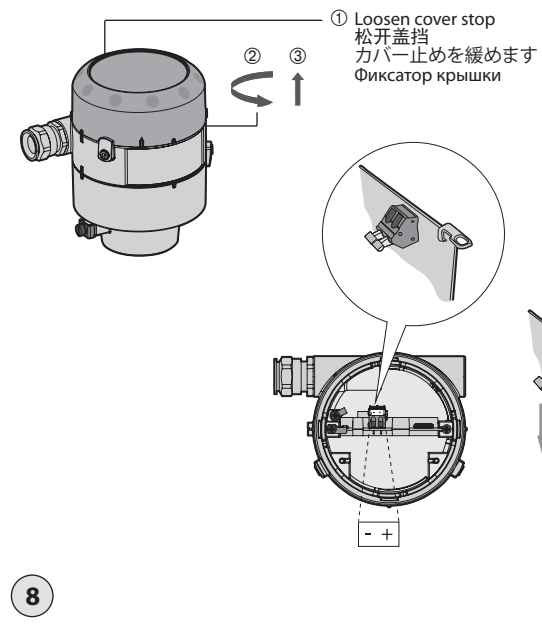
誘電率調整後の改良された下部デッドゾーンの値

Оптимизированные значения мертвой зоны после введения значения диэлектрической проницаемости

Ammonia 氨 アンモニア Аммиак HFC, HCFC	800 - 5000	31.5 - 197	90	3.5
--	------------	------------	----	-----



7



6

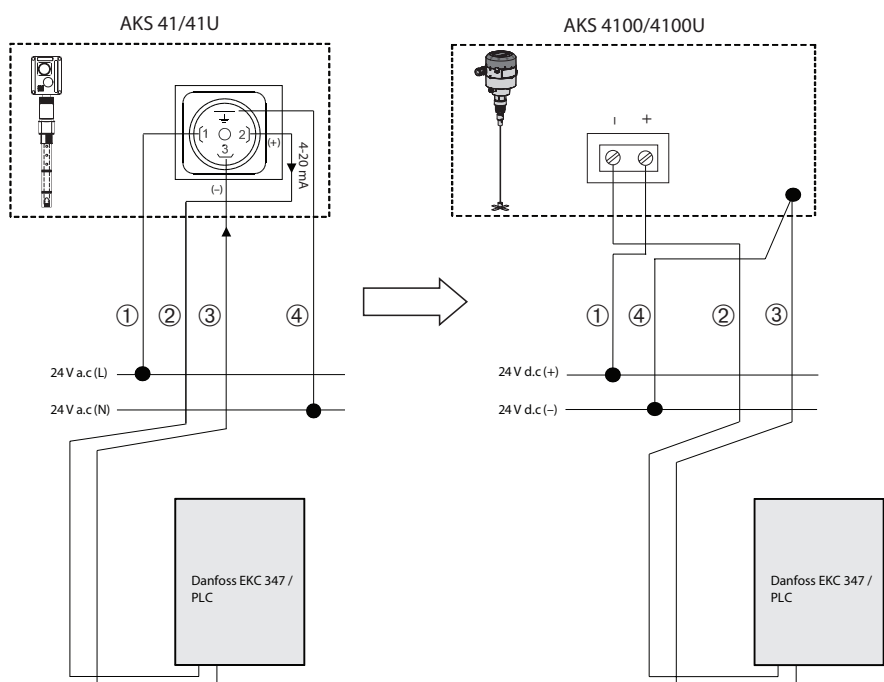
8

AKS 41/41U with a.c supply to
AKS 4100/4100U with d.c supply.

AKS 41/41U (交流電源) 至
AKS 4100/4100U (直流電源)

AKS 41/41U から AKS 4100/4100U
AC 電源 AKS 41/41U から DC 電源
AKS 4100/4100U へ

Замена AKS 41 на AKS 4100
AKS 41/41U перененный ток на
AKS 4100/4100U постоянный ток

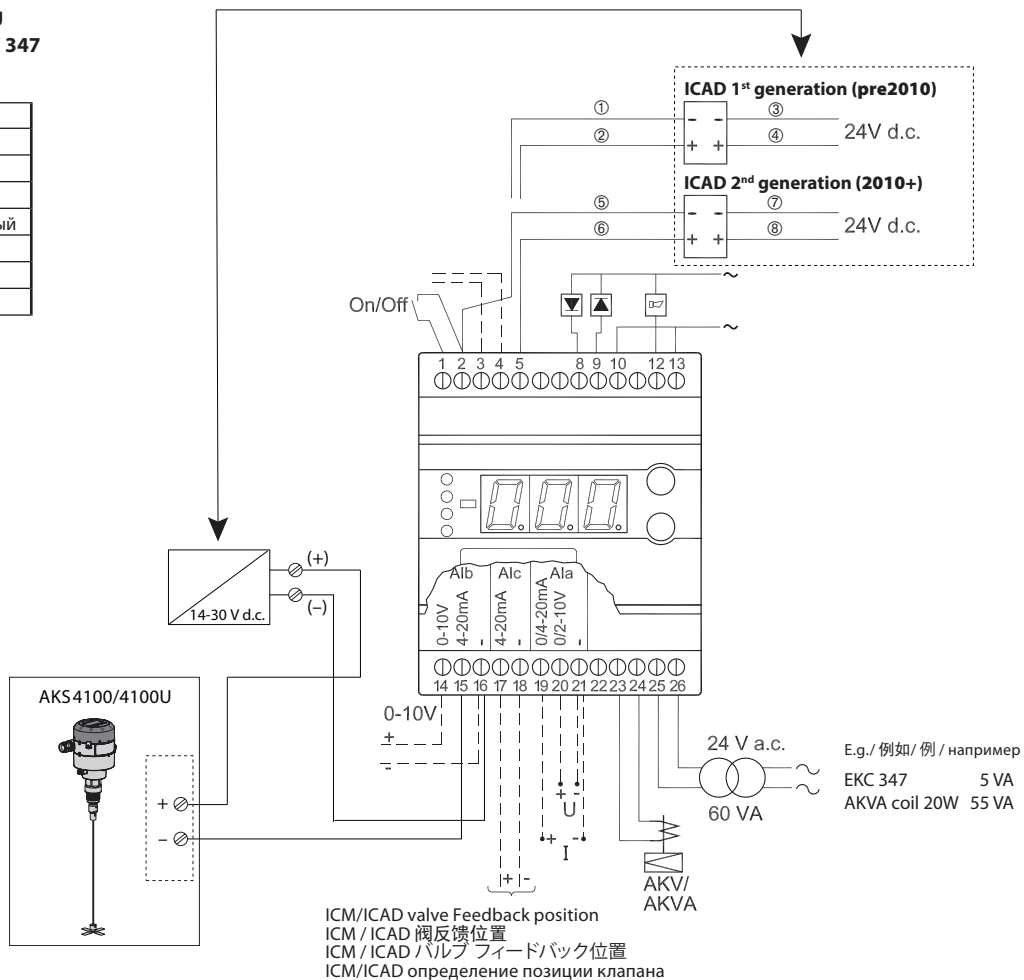


9

AKS 4100/4100U connected to EKC 347
 AKS 4100/4100U 连接到 EKC 347
 EKC 347 に接続した AKS 4100/4100U
 AKS 4100 подключение к EKC 347

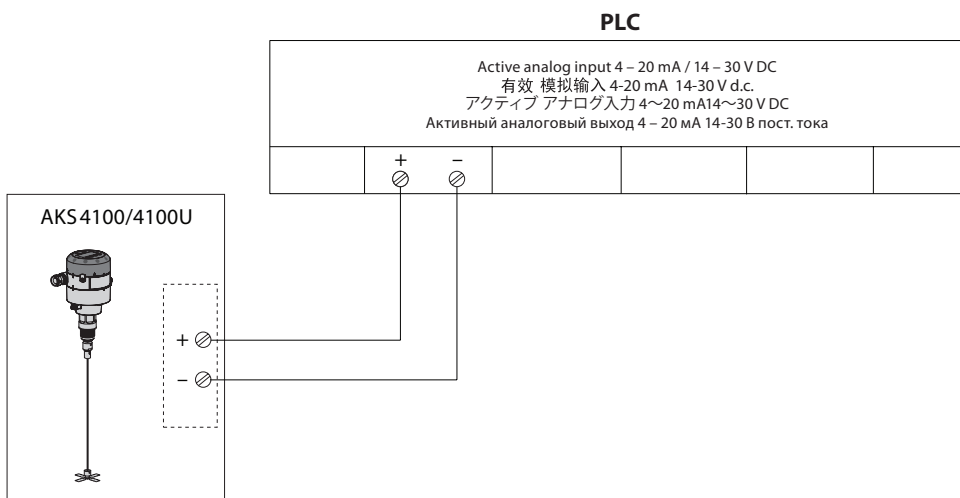
24 V DC from ICAD can also be used / 也可使用来自 ICAD 的 24 V DC /
 ICAD からの 24 V DC も使用可能 / Может использовать питание 24 в пост. тока от ICAD

①	2. yellow / 黄 / 黄色 / желтый
②	1. grey / 灰色 / グレー / серый
③	green / 绿色 / 緑 / зеленый
④	brown / 棕色 / 茶 / коричневый
⑤	orange / 橙 / オレンジ / оранжевый
⑥	yellow / 黄 / 黄色 / желтый
⑦	brown / 棕色 / 茶 / коричневый
⑧	white / 白 / 白 / белый



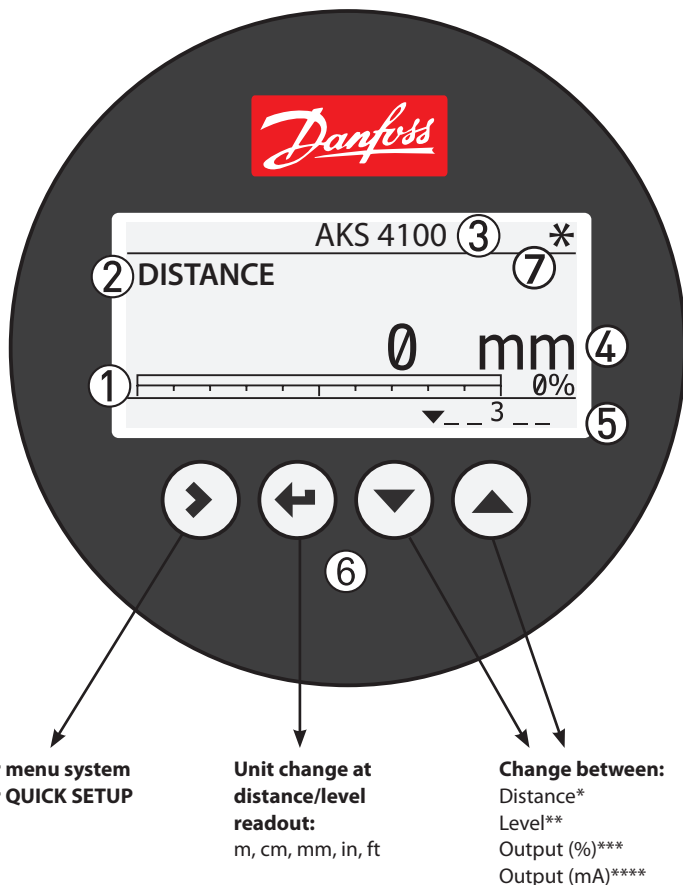
10

AKS 4100/4100U connected to PLC
 AKS 4100/4100U 连接到 PLC
 PLC に接続した AKS 4100/4100U
 AKS 4100 подключение к PLC



11

en



Enter menu system
Enter QUICK SETUP

Unit change at
distance/level
readout:
m, cm, mm, in, ft

Change between:
Distance*
Level**
Output (%)***
Output (mA)****

- ① 4 - 20 mA output displayed as bar graph and in percentage [%]
- ② Measurement name (in this example, DISTANCE)
- ③ Device tag name
- ④ Measurement reading and unit
- ⑤ Device status (markers)
- Marker 1, 2 and 3 (Error)**
Hardware problem; the Signal Converter hardware is defective. Contact Danfoss.
- Marker 4 and 5 (Notification)**
Depending on the level, the marker is ON or OFF. Used for Danfoss service information only.
- ⑥ Keypad buttons
- ⑦ Flashing star indicating unit in operation.

* DISTANCE is a display option.
If the display is set to "DISTANCE" the displayed value will be the distance from the Reference point to the top surface of the liquid refrigerant (see fig. 5).

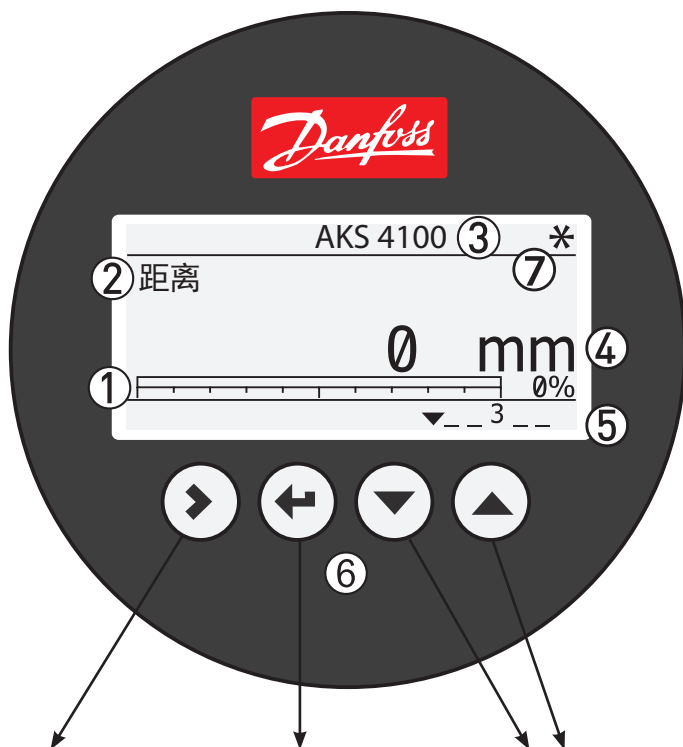
** LEVEL is display option.
If the display is set to "LEVEL" then the value displayed will be:
PROBE LENGTH (entered in QUICK SETUP)
- DISTANCE (see fig. 5).

*** OUTPUT (%) is display option.
Will represent the level of refrigerant, in percent, scaled (entered in QUICK SETUP) according to: SCALE 4 mA (0%), SCALE 20 mA (100%) (see fig. 5).

**** OUTPUT I (mA) is display option.
Will represent the level of refrigerant, in 4-20 milliamperes, scaled (entered in QUICK SETUP) according to: SCALE 4 mA (4 mA), SCALE 20 mA (20 mA) (see fig. 5).

12

zh



进入Menue system (菜单系统) 距离/液位读数的单位设置:
进入 QUICK SETUP (快速设置) m, cm, mm, in, ft

切换选项:
Distance (距离) *
Level (液位) 液位**
Output (输出) (%)***
Output (输出) (mA)****

- ① 4 - 20 mA 输出 (以柱状图和百分比 [%] 显示)
- ② 测量值名称 (本例中为距离)
- ③ 设备名称
- ④ 测量读数和单位
- ⑤ 设备状态 (标记)
标记1、2和3 (错误)
硬件问题; 信号转换器硬件有缺陷。请联系丹佛斯。
标记4和5 (通知)
根据不同的液位, 标记为开或关。只用于丹佛斯服务信息。
- ⑥ 按键
- ⑦ 闪烁的星星, 表示设备正在工作。

* "Distance (距离)" 是一个显示选项。
若将显示设为 "Distance", 则显示的值是参照点至制冷剂液面顶部的距离 (参考图 5)。

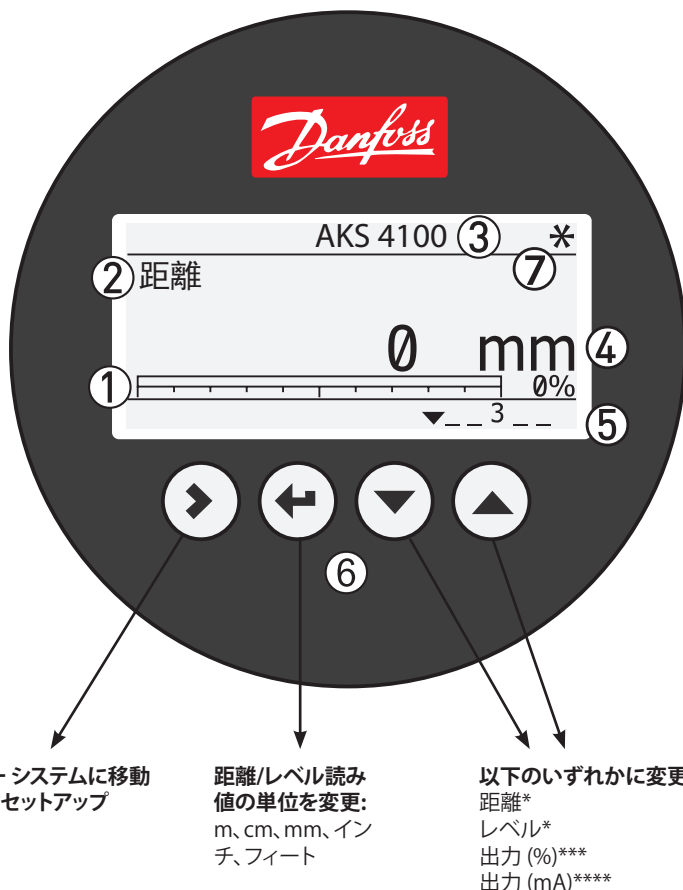
** "Level (液位)" 是一个显示选项。
若将显示设为 "Level", 则显示的值:
探头长度 (在快速设置中输入) - Level (参考图 5)。

*** "Output (输出) (%)" 是一个显示选项。
将以百分比形式显示制冷剂的液位, 根据下列条件确定标度 (在快速设置中输入):
SCALE 4 mA (0%), SCALE 20 mA (100%) (参考图 5)。

**** "Output (输出) (mA)" 是一个显示选项。
将以 4-20 毫安显示制冷剂的液位, 根据下列条件确定标度 (在快速设置中输入):
SCALE 4 mA (4 mA), SCALE 20 mA (20 mA) (参考图 5)。

12

jp



メニュー システムに移動
クイックセットアップ
に移動

距離/レベル読み
値の単位を変更:
m, cm, mm, イン
チ, フィート

以下のいずれかに変更:
距離*
レベル*
出力 (%)***
出力 (mA)****

- ① 4 - 20 mA 出力をバーグラフとパーセンテージ [%] で表示
- ② 計測名 (この例では 距離)
- ③ 装置タグ名
- ④ 計測読み値と単位
- ⑤ 装置ステータス (数値)
数値 1, 2, 3 (エラー)
ハードウェアの問題; 信号変換器 ハードウェアが故障。
Danfoss にご連絡ください。
数値 4 および 5 (通知)
レベルに応じて数値がオンまたはオフになります。
Danfos のサービス情報としてのみ使用します。
- ⑥ キーパッド ボタン
- ⑦ 点滅する星印は装置が動作中であることを示します。

* 「距離」は表示オプションです。
表示が「距離」に設定されている場合、表示される値は基準
点から液体冷媒の上面までの距離になります (図 5 を参照)

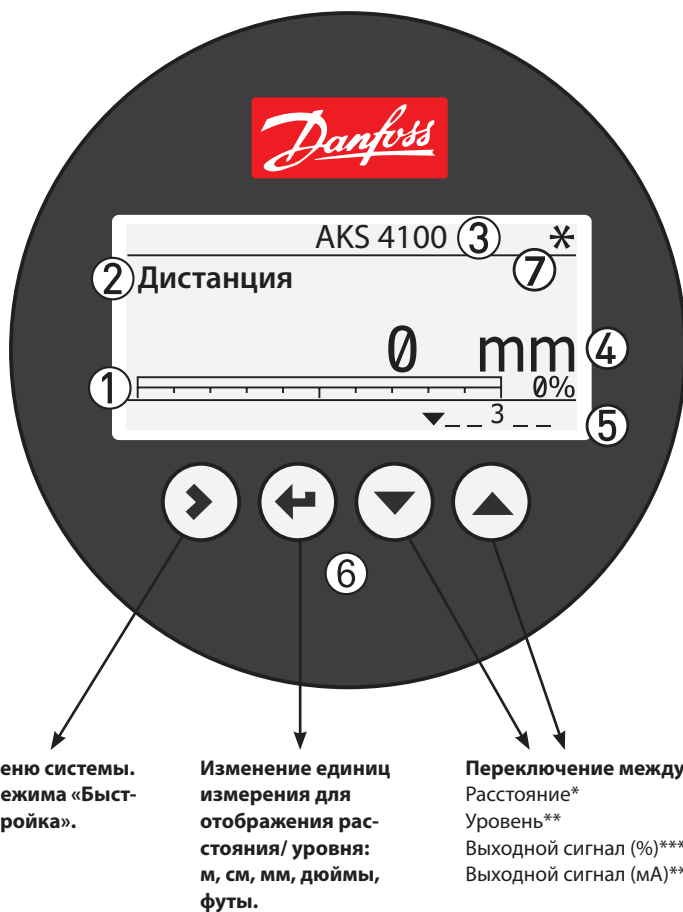
** 「LEVEL "レベル"」は表示オプションです。
表示が「LEVEL "レベル"」に設定されている場合には、
表示される値は以下ようになります:プローブ長 (高速
設置で入力) - 距離 (図 5 を参照)。

*** 「OUTPUT (%) "出力 (%)"」は表示オプションです。冷媒
のレベルを (クイックセットアップで入力した) 以
下のスケールを基準としたパーセント単位で表示します:
4mA位置 (0%)、20mA位置 (100%) (図 5 を参照)。

**** 「OUTPUTI (mA) "出力 (mA)"」は表示オプションです。
冷媒のレベルを (クイックセットアップで入力した) 以
下のスケールを基準として 4~20mA の範囲で表
示します:4mA位置 (4 mA)、20mA位置 (20 mA) (図 5
を参照)。

12

ru



Вход в меню системы.
Запуск режима «Быст-
рая настройка».

Изменение единиц
измерения для
отображения рас-
стояния/ уровня:
м, см, мм, дюймы,
футы.

Переключение между:
Расстояние*
Уровень**
Выходной сигнал (%)***
Выходной сигнал (mA)****

- ① Выходной сигнал 4 - 20 mA отображается на дисплее
в виде графической шкалы и виде процентов (%).
- ② Наименование измеряемого параметра
(в данном примере это расстояние).
- ③ Модель уровнимера.
- ④ Единицы измерения.
- ⑤ Состояние прибора (в виде цифр):
Цифры 1, 2 и 3 (Ошибка)
Проблема с оборудованием; Отсутствие сигнала;
Низкое напряжение. Обратитесь в Danfoss.
Цифры 4 и 5 (Уведомления)
В зависимости от значения уровня.
- ⑥ Кнопки панели управления
- ⑦ Мигающая звездочка, показывает, что
прибор работает.

* РАССТОЯНИЕ.
В случае отображения на дисплее параметра
"РАССТОЯНИЕ", измеряемой величиной будет являться
расстояние между нулевой точкой и поверхностью
жидкого холодильного агента (см. Рис. 5).

** УРОВЕНЬ.
В случае отображения на дисплее параметра
"УРОВЕНЬ", измеряемой величиной будет являться
разница значений "ДЛИНА ТРОСА" (вводится при
"БЫСТРОЙ НАСТРОЙКЕ") - РАССТОЯНИЕ (см. Рис. 5).

*** Выходной сигнал (%).
Указывает процент заполнения сосуда холодильным
агентом в зависимости от значения:
Точки 4 mA (0%) и Точки 20 mA (100%)
(см. Рис. 5) (указываются при "БЫСТРОЙ
НАСТРОЙКЕ").

**** Выходной сигнал (mA).
Указывает уровень холодильного агента в сосуде, в
соответствии с диапазоном
4 - 20 mA, в зависимости от значения:
Точки 4 mA (0%) и Точки 20 mA (100%)
(см. Рис. 5) (указываются при "БЫСТРОЙ
НАСТРОЙКЕ").

12

ENGLISH



Please observe that AKS 4100/4100U is intended to always be installed in a standpipe (column / bypass / stilling well). A Standpipe is commonly used when:

- Servicing the AKS 4100
- There is highly conductive foam in the tank.
- The liquid is very turbulent or agitated.

Refrigerants

AKS 4100/4100U is designed specifically to measure liquid level in the most commonly used refrigerants, including R717 (ammonia), HCFC, HFC and non corrosive gases / liquids.

AKS 4100/4100U can also be used with R744 (CO₂) in the coaxial version. Please see the technical brochure for further details.

Basic data

AKS 4100/4100U is a passive 2-wired 4 – 20 mA sensor that is loop powered.

Supply Voltage

14 – 30 V DC Min/Max. value for a max. output of 22 mA at the terminal

Load

- RL [Ω] ≤ ((U_{ext} - 14 V) / 20 mA).
- Default (Error output set to 3.6 mA)
- RL [Ω] ≤ ((U_{ext} - 14 V) / 22 mA).
- (Error output set to 22 mA)

Cable gland

- AKS 4100 PG 13, M20×1.5 ; (cable diameter: 6-8 mm (0.24-0.31 in.)
- AKS 4100U ½ in. NPT

Terminals (spring loaded)
0.5-1.5 mm² (~20-15 AWG)

Enclosure

IP 67 (~NEMA type 4X)

Refrigerant temperature

-60 – 100 °C / -76 – 212 °F

Refrigerants

The listed refrigerants are qualified and approved by Danfoss:

R717 / NH₃: -40 – 50 °C / -40 – 122 °F

R744 / CO₂: -50 – 15 °C / -58 – 59 °F

HCFC:

R22: -50 – 48 °C / -58 – 118 °F

HFC:

R404A: -50 – 15 °C / -58 – 59 °F

R410A: -50 – 15 °C / -58 – 59 °F

R134A -40 – 50 °C / -40 – 122 °F

(Further details in the Technical Brochure)

Ambient temperature

-40 – 80 °C / -40 – 175 °F

For HMI : -20 – 60 °C / -4 – 140 °F

Process pressure

-1 – 100 barg / -14.5 – 1450 psig

Mechanical process connection with 5 m / 197 in.

Ø2 mm / 0.08 in. stainless cable:

AKS 4100 G1 inch pipe thread.

AKS 4100U Aluminium gasket included

AKS 4100U ¾ in. NPT

(Further details in the Technical Brochure)

Mechanical Installation

Preparations prior to Mechanical Installation

Disassemble the Signal Converter from the Mechanical process connection (use 5 mm hex key, see fig. 6). Fit the red protection cover on top of the Mechanical process connection to protect it against any moisture or dirt particles.

Content supplied (fig. 1)

- ① Signal Converter (with or without HMI)
- ② Mechanical process connection with 5 m / 197 in. Ø2 mm / 0.08 in. stainless wire
- ③ Counterweight
- ④ Accessory bag comprising: 3 mm set screws. Red cover to protect mechanical process connection ② prior to mounting Signal converter. Setting label.

Note:

Stand pipe design guidelines:

The side connection pipes must NOT penetrate into the stand pipe (fig. 2a) Recommended diameter of the side connection pipe: 0.5 x stand pipe diameter (e.g. if stand pipe has diameter DN100, the side connection must be diameter DN50 or smaller) (fig. 2a).

If above design guidelines for side connection are not fulfilled, one of the following options are recommended:

1. Increase Detection Delay. Parameter 2.3.6. We recommend to increase the Detection Delay (parameter 2.3.6) from the standard 0 mm to a value below the lowest point of the top side connection plus 50 mm (fig. 2a).

Changing the Detection Delay (parameter 2.3.6) does not require changing the (0%) 4mA and (100%) 20mA settings in the AKS 4100/4100U Within the Detection Delay zone, no measuring will take place.

2. Exchange from Cable to Coaxial version.

The stand pipe must have the SAME diameter through out the entire length. If standpipe diameter differs in width (fig. 2b) the Cable version is not recommended. Coaxial version should be used.

Adjustment of the counterweight blades

Allow 5 mm space between the guided blades and the inner wall of the pipe (see fig. 2c). Use side cutters to trim the guided blades to fit the actual standpipe diameter (see fig. 3).

Adjustment of the cable probe



Please observe that the stainless steel wire is not permanently creased or kinked.

Always use the reference point, at the **Mechanical Process Connection** (see fig. 4), as a starting point for all measuring to determine:

- Where to cut the cable.
- Probe length (see fig. 5)
- Scale 4 mA (see fig. 5)
- Scale 20 mA (see fig. 5)

Note the probe length, Scale 4 mA and Scale 20 mA for use later when programming the HMI (Human Machine Interface) on the AKS 4100/4100U.

Follow these instructions and see fig. 4 & 5:

1. Measure the inner length of the Standpipe.

2. Preparation before cutting the cable

Known data:

Space below counterweight: 20 mm / 0.8 in.

Steel wire insertion length in counterweight: 12 mm / 0.5 in.

counterweight height: 33 mm / 1.3 in.

Max Probe length =

Standpipe inner length
– **Space below counterweight (20 mm / 0.8 in.)**

The cable length =

Max probe length

+ Steel wire insertion

length in counterweight (12 mm / 0.5 in.)

– Counterweight height (33 mm / 1.3 in.)

3. Measure out the cutting point of the cable.

Measure from the reference point (fig. 4) and cut the cable.

4. Fit the counterweight on the cable and secure the two set screws with a 3 mm Allen Key (fig. 3).

5. Lower the counterweight down through the threaded hole. **Make sure that the counterweight is gliding down through the pipe without any resistance and that the cable is straight (not touching the inner walls of the stand pipe or any incoming piping (see fig. 2a)).**

6. Use a torque wrench to tighten the mechanical process connection (fig. 1, item 2) to 120 Nm (89 lb/ft).

Calculating the measuring range

4 mA setting for max. measuring range:

- = Max probe length
- Counterweight height (33 mm / 1.3 in.)
- Bottom dead zone (see fig. 5)

20 mA setting for max. measuring range:
= Top dead zone (see fig. 5)

Example

Known data:

Space below counterweight: 20 mm / 0.8 in.

Steel wire insertion length in counterweight: 12 mm / 0.5 in.

counterweight height: 33 mm / 1.3 in.

Preconditions:

Factory setting is used

Refrigerant = Ammonia

Standpipe inner length = 3100 mm / 122 in.

Max probe length =

3100 mm – 20 mm = 3080 mm

(122 in. – 0.8 in. = 121.3 in.)

The cable length:

Max probe length =

+ Steel wire insertion length in counterweight (12 mm / 0.5 in.)

– Counterweight height (33 mm / 1.3 in.)

3080 mm + 12 mm – 33 mm = **3059 mm**

(121.3 in. + 0.5 in. – 1.3 in. = **120.4 in.**)

4 mA Setting for Max. Measuring Range:

Max probe length (3080 mm / 121.3 in.)

– Counterweight height (33 mm / 1.3 in.)

– Bottom dead zone (see fig. 5)

(210 mm / 8.3 in.) = **2837 mm / 111.7 in.**

20 mA Setting for Max. Measuring Range:

= Top dead zone (see fig. 5) = 120 mm / 4.7 in.

How to mount the AKS 4100/4100U Converter (see fig. 6)

1. Unscrew the set and ventilation screws with a 5 mm Hexagon key in the Signal converter.
2. Push the Signal Converter downwards to stop on the Mechanical process connection
3. Turn the Signal Converter to the wanted position.
4. Screw the set screw with a 5 mm Hexagon key.
5. Screw the ventilation screw with a 5 mm Hexagon key.

Electrical installation/connection

Output terminals (fig. 7 and 8):

1. Current output –
2. Current output +
3. Grounding terminal

Electrical installation procedure

1. Use a 2.5 mm Allen wrench to loosen the cover stop.
2. Remove the terminal compartment cover from the housing.
3. Do not disconnect the wire from the terminal compartment cover. Put the terminal compartment cover adjacent to the housing.
4. Connect the wires to the device. Tighten the cable entry glands.
5. Attach the terminal compartment cover to the housing.
6. Use a 2.5 mm Allen wrench to tighten the cover stop.

Start up:

- Connect the converter to the power supply.
- Energize the converter.

Devices with the HMI display option only: After 10 seconds the screen will display "Starting up". After 20 seconds the screen will display the software version numbers. After 30 seconds the default screen (fig. 12) will appear.

Precautions when changing from AKS 41/41U to AKS 4100/4100U

Note:

AKS 41/41U supports both AC and DC supply whereas the AKS 4100/4100U is using DC supply only. Follow the instructions in fig. 9.

Connecting to controller or PLC

Follow the instructions in fig. 10 or 11.



The current output will be set to 3.6 mA whenever the AKS 4100/4100 detects an error like Marker 1, 2 or 3 (see page 4).

Quick Setup →

Note:

The signal converter can be programmed with or without mechanical process connector assembled.

Quick Setup (all values below are only examples)

- Connect the device to the power supply (see the section "Electrical installation/connection").

- Press 3 times.

```
AKS 4100
QUICK SETUP?
YES      NO
```

- Press

```
AKS 4100
PROBETYPE
SINGLECABLE
```

- Press or to select between SINGLE, COAXIAL D14 and COAXIAL D22. Choose **SINGLE** and press to confirm.

```
AKS 4100
PROBE LENGTH
05000 mm
```

- Press to change the PROBE LENGTH. Press to change the position of the cursor. Press to decrease the value or to increase the value. Press to confirm.

```
AKS 4100
SCALE 4mA
04946 mm
```

- Press to change of SCALE 4 mA. Press to change the cursor position. Press to decrease the value or to increase the value. Press to confirm.

```
AKS 4100
SCALE 20mA
00070 mm
```

- Press to change of SCALE 20 mA. Press to change the cursor position. Press to decrease the value or to increase the value. Press to confirm.

```
AKS 4100
QUICK SETUP
COMPLETED IN 8
```

- Wait for QUICK SETUP to complete 8-second timeout

```
AKS 4100
1.0.0
QUICK SETUP
```

- Press to confirm.

```
AKS 4100
1.0.0
STORE NO
```

- Press or to select either STORE NO or STORE YES. Press to confirm.

Default screen appears:

```
AKS 4100
DISTANCE
5000 mm
```

Quick Setup completed

You have the possibility of checking your settings by pressing twice.

```
AKS 4100
SINGLE CABLE      5000 mm
(0%) 4 mA        4877 mm
(100%) 20 mA     120 mm
```

Press to return to default screen.

How to force mA output (all values below are only examples)

Default screen

```
AKS 4100
DISTANCE
5000 mm
```

- Press

```
AKS 4100
1.0.0
QUICK SETUP
```

- Press

```
AKS 4100
2.0.0
SUPERVISOR
```

- Press

```
AKS 4100
2.0.0
_____
```

Enter password:

```
AKS 4100
2.1.0
INFORMATION
```

- Press

```
AKS 4100
2.2.0
TESTS
```

- Press

```
AKS 4100
2.2.1
SET OUTPUT
```

- Press

```
AKS 4100
SET OUTPUT
3.5 mA
```

- Press to decrease the value or to increase the value. Press to confirm.

```
AKS 4100
SET OUTPUT
8 mA
```

- Press 4 times to return to default screen.

Default screen appears:

```
AKS 4100
DISTANCE
5000 mm
```

Force mA completed and disabled

Optional Procedure

If the temperature condition in the stand pipe is known, a constant (dielectric constant of the refrigerant gas) **can be** entered (parameter 2.5.3 GAS EPS.R), in order to obtain lower Top and Bottom Dead Zone values (**see fig. 5**).

How to enter dielectric constant of refrigerant gas (all values below are only examples)

<p>Default screen</p> <div style="border: 1px solid black; padding: 5px; margin-bottom: 10px;">AKS 4100 DISTANCE 5000 mm</div> <ul style="list-style-type: none"> Press <div style="border: 1px solid black; padding: 5px; margin-bottom: 10px;">AKS 4100 1.0.0 QUICK SETUP</div> <ul style="list-style-type: none"> Press <div style="border: 1px solid black; padding: 5px; margin-bottom: 10px;">AKS 4100 2.0.0 SUPERVISOR</div> <ul style="list-style-type: none"> Press <div style="border: 1px solid black; padding: 5px; margin-bottom: 10px;">AKS 4100 2.0.0</div> <p>Enter password:</p> <div style="display: flex; justify-content: space-around; margin-bottom: 10px;"> </div> <div style="border: 1px solid black; padding: 5px;">AKS 4100 2.1.0 INFORMATION</div>	<ul style="list-style-type: none"> Press 4 times. <div style="border: 1px solid black; padding: 5px; margin-bottom: 10px;">AKS 4100 2.5.0 APPLICATION</div> <ul style="list-style-type: none"> Press <div style="border: 1px solid black; padding: 5px; margin-bottom: 10px;">AKS 4100 2.5.1 TRACING VEL.</div> <ul style="list-style-type: none"> Press 2 times. <div style="border: 1px solid black; padding: 5px; margin-bottom: 10px;">AKS 4100 2.5.3 GAS EPS. R</div> <ul style="list-style-type: none"> Press to check/change GAS EPS.R. (Select the correct value from the tables below and on page 8) Press to change cursor-position. Press to decrease the value or to increase the value. <div style="border: 1px solid black; padding: 5px;">AKS 4100 GAS EPS. R 1.066</div>	<ul style="list-style-type: none"> Press to confirm. <div style="border: 1px solid black; padding: 5px; margin-bottom: 10px;">AKS 4100 2.5.3 GAS EPS. R</div> <ul style="list-style-type: none"> Press 3 times. <div style="border: 1px solid black; padding: 5px; margin-bottom: 10px;">AKS 4100 1.0.0 STORE NO</div> <ul style="list-style-type: none"> Press or to select between STORE NO or STORE YES. Select STORE YES by pressing <p>Default screen appears:</p> <div style="border: 1px solid black; padding: 5px; margin-bottom: 10px;">AKS 4100 DISTANCE 5000 mm</div> <p>Entering the dielectric constant of refrigerant gas completed</p>
--	---	--

Saturated vapour dielectric constant (default value: 1.066)

R717 (NH₃)

Temperature range:
-60 – 50 °C / -76 – 122 °F

Temperature [°C]	Temperature [°F]	Dielectric constant of refrigerant gas Parameter 2.5.3 GAS EPS.R
-60 – -42	-76 – -43	1.00
-41 – -18	42 – 0	1.01
-17 – -5	1 – 23	1.02
-4 – 4	24 – 39	1.03
5 – 12	40 – 54	1.04
13 – 18	55 – 64	1.05
19 – 24	65 – 75	1.06
25 – 28	76 – 82	1.07
29 – 33	83 – 91	1.08
34 – 37	92 – 99	1.09
38 – 40	100 – 104	1.10
41 – 44	105 – 111	1.11
45 – 47	112 – 117	1.12
48 – 50	118 – 122	1.13

R22

Temperature range:
-60 – 48 °C / -76 – 118 °F

Temperature [°C]	Temperature [°F]	Dielectric constant of refrigerant gas Parameter 2.5.3 GAS EPS.R
-60 – -50	-76 – -58	1.00
-49 – -25	57 – -13	1.01
-24 – -10	-12 – 14	1.02
-9 – 0	15 – 32	1.03
1 – 8	33 – 46	1.04
9 – 15	47 – 59	1.05
16 – 21	60 – 70	1.06
22 – 26	71 – 79	1.07
27 – 31	80 – 88	1.08
32 – 35	89 – 95	1.09
36 – 39	96 – 102	1.10
40 – 42	103 – 108	1.11
43 – 45	109 – 113	1.12
46 – 48	114 – 118	1.13

R744 (CO₂)

Temperature range:
-56 – 15 °C / -69 – 59 °F

Temperature [°C]	Temperature [°F]	Dielectric constant of refrigerant gas Parameter 2.5.3 GAS EPS.R
-56.0 – -42.0	-69 – -43	1.01
-41.0 – -28.0	-42 – -18	1.02
-27.0 – -17.0	-17 – 2	1.03
-16.0 – -9.0	3 – 16	1.04
-8.0 – -3.0	17 – 27	1.05
-2.0 – 2	28 – 36	1.06
3 – 7	37 – 45	1.07
8 – 11	46 – 52	1.08
12 – 14	53 – 58	1.09
15	59	1.10

R134a

Temperature range:
-60 – 50 °C / -76 – 122 °F

Temperature [°C]	Temperature [°F]	Dielectric constant of refrigerant gas Parameter 2.5.3 GAS EPS.R
-60 – -42	-76 – -43	1.00
-41 – -18	-42 – 0	1.01
-17 – -4	1 – 25	1.02
-3 – 5	26 – 41	1.03
6 – 13	42 – 56	1.04
14 – 20	57 – 68	1.05
21 – 25	69 – 77	1.06
26 – 30	78 – 86	1.07
31 – 34	87 – 94	1.08
35 – 38	95 – 100	1.09
39 – 42	101 – 108	1.10
43 – 45	109 – 113	1.11
46 – 48	114 – 119	1.12
49 – 50	120 – 122	1.13

Saturated vapour dielectric constant

R410A

Temperature range:
-65 – 15 °C / -85 – 59 °F

Temperature [°C]	Temperature [°F]	Dielectric constant of refrigerant gas Parameter 2.5.3 GAS EPS.R
-65 – -47	-85 – -52	1.01
-46 – -35	-51 – -31	1.02
-34 – -26	-30 – -14	1.03
-25 – -19	-13 – -2	1.04
-18 – -13	-1 – 9	1.05
-12 – -8	10 – 18	1.06
-7 – -4	19 – 25	1.07
-3 – 0	26 – 32	1.08
1 – 4	33 – 40	1.09
5 – 7	41 – 45	1.10
8 – 10	46 – 50	1.11
11 – 12	51 – 54	1.12
13 – 15	55 – 59	1.13

R404A

Temperature range:
-60 – 15 °C / -76 – 59 °F

Temperature [°C]	Temperature [°F]	Dielectric constant of refrigerant gas Parameter 2.5.3 GAS EPS.R
-60 – -47	-76 – -52	1.01
-46 – -35	-51 – -31	1.02
-34 – -26	-30 – -14	1.03
-25 – -19	-13 – -2	1.04
-18 – -14	-1 – 7	1.05
-13 – -9	8 – 16	1.06
-8 – -4	17 – 25	1.07
-3 – 0	26 – 32	1.08
1 – 3	33 – 38	1.09
4 – 6	39 – 43	1.10
7 – 9	44 – 49	1.11
10 – 12	50 – 54	1.12
13 – 15	55 – 59	1.13

R507

Temperature range:
-60 – 15 °C / -76 – 59 °F

Temperature [°C]	Temperature [°F]	Dielectric constant of refrigerant gas Parameter 2.5.3 GAS EPS.R
-60 – -48	-76 – -54	1.01
-47 – -36	-53 – -32	1.02
-35 – -28	-31 – -18	1.03
-27 – -21	-17 – -6	1.04
-20 – -15	-17 – -5	1.05
-14 – -10	-4 – 14	1.06
-9 – -6	13 – 22	1.07
-5 – -2	23 – 29	1.08
-1 – 2	30 – 36	1.09
3 – 5	37 – 41	1.10
6 – 8	42 – 47	1.11
9 – 11	48 – 52	1.12
12 – 13	53 – 56	1.13
14 – 15	57 – 59	1.14

How to change the language setting (Default: English)

Default screen

AKS 4100
DISTANCE
5000 mm

- Press

AKS 4100
1.0.0
QUICK SETUP

- Press

AKS 4100
2.0.0
SUPERVISOR

- Press

AKS 4100
2.0.0

Enter password:

AKS 4100
2.1.0
INFORMATION

- Press 6 times

AKS 4100
2.7.0
DISPLAY

- Press

AKS 4100
2.7.1
LANGUAGE

- Press

AKS 4100
LANGUAGE
ENGLISH

- Press or to see the language possibilities

Press to confirm.

AKS 4100
2.7.1
LANGUAGE

- Press 3 times

AKS 4100
1.0.0
STORE NO

- Press or to select between STORE NO or STORE YES. Select STORE YES by pressing

Default screen appears:

AKS 4100
DISTANCE
5000 mm

Language setup completed

Reset to factory setting

- Go to SUPERVISOR menu (see page 7).
- Go to parameter 2.9.4 Reset Factory.
- Select RESET FACTORY YES
- Press 3 times to return to default screen.

Factory reset completed.

中文



请注意, AKS 4100/4100U 总是安装在立管中。立管通常应用于下列情况:

- 检修 AKS 4100
- 容器中存在高传导泡沫
- 液体处于紊流或翻腾状态

制冷剂

AKS 4100/4100U 专用于测量常用制冷剂的液位, 包括氨、HCFC、HFC 和非腐蚀性气体/液体。

同轴版本的 AKS 4100/4100U 还适用于 R744 (二氧化碳)。详情请参考技术手册。

基本参数

AKS 4100/4100U 是一款回路供电的无源二线制 4 - 20 mA 传感器。

供电电压

14 - 30 V DC 最小/最大值
端子最大输出为 22 mA

负载

RL [Ω] ≤ ((Uext - 14 V) / 20 mA)
- 默认 (差错输出设为 3.6 mA)
RL [Ω] ≤ ((Uext - 14 V) / 22 mA)
- 默认 (差错输出设为 22 mA)

电缆封套

AKS 4100 PG 13, M20 × 1.5;
(电缆直径: 6-8 mm (0.24-0.31 in.))
AKS 4100U 1/2 in. NPT

接线端子 (弹簧承载)

0.5-1.5 mm² (20-15 AWG)

外壳

IP 67 (NEMA 4X)
制冷剂温度
-60 - 100°C / -76 - 212°F

制冷剂

丹佛斯认可适用的制冷剂:
R717 / NH₃: -40 - 50°C / -40 - 122°F
R744 / CO₂: -50 - 15°C / -58 - 59°F
HCFC:
R22: -50 - 48°C / -58 - 118°F
HFC:
R404A: -50 - 15°C / -58 - 59°F
R410A: -50 - 15°C / -58 - 59°F
R134A: -40 - 50°C / -40 - 122°F
(详情请参阅《技术手册》)

环境温度

-40 - 80°C / -40 - 175°F
HMI: -20 - 60°C / -4 - 140°F

操作压力

-1 - 100 barg / -14.5 - 1450 psig
机械连接件, 带 5 m / 197 in. Ø2 mm / 0.08 in.
不锈钢缆:
AKS 4100 1" G 螺纹
自带铝制垫圈
AKS 4100U 3/4 in. NPT

(详情请参阅《技术手册》)

机械安装

机械安装前的准备

从机械连接件上卸下信号转换器 (用 5" 六角扳手, 参阅图6)。将红色保护盖安装到机械连接件的顶部, 使之免受潮气或污垢的影响。

装箱清单 (图1)

- ① 信号转换器 (搭配/不搭配 HMI)
- ② 机械连接件, 带 5 m / 197 in. Ø2 mm / 0.08 in. 不锈钢线

- ③ 平衡坠子
- ④ 附件袋内有:
3 mm 固定螺钉
安装信号转换器前用于保护机械连接件②的红色保护盖设置标签

注意:
立管设计指导:



旁通管不能穿透到立管 (如图2a)。推荐旁通管直径: 0.5倍立管直径 (例如: 如果立管直径为DN100, 旁通管直径必须小于或等于DN50) (如图2a)。

如果上述旁通管设计指导不能满足, 推荐以下选项之一:

- 1、增加检测延迟——参数2.3.6
建议增加检测延迟 (参数2.3.6) 从标准 0 mm 到低于上部旁通管最低点加 50 mm 的某个值 (如图2)。
改变检测延迟 (参数2.3.6) 不需要改变 AKS 4100/4100U 关于 (0%) 4 mA 和 (100%) 20 mA 的参数设置。在检测延迟区, 没有测量发生。
- 2、更换为同轴版本
整条立管必须保持相同的直径。如果立管直径变化 (如图2b) 不推荐使用线缆版本, 建议使用同轴版本。

调整平衡叶片

导叶与管道内壁之间应有 5 mm 间距 (参阅图2c)。剪切导叶, 使之与立管的实际直径相吻合 (参阅图3)。

调整电缆探头



切勿让不锈钢丝出现永久性折痕或扭结。

开始任何测量时, 应当利用机械连接件 (参阅图4) 上的参照点, 以便确定:

- 从何处切割线缆
 - 探头长度 (参阅图5)
 - 标度 4 mA (参阅图5)
 - 标度 20 mA (参阅图5)
- 注意探头长度, 标度 4 mA 和标度 20 mA 用于稍后对 AKS 4100/4100U 上的 HMI (人机界面) 进行编程。

按照下列说明操作, 同时参阅图4和5:

1. 测量立管内部长度
2. 切割线缆前的准备
已知数据:
平衡坠子下方空间: 20 mm / 0.8 in.
钢缆插入平衡重的长度: 12 mm / 0.5 in.
平衡坠子高度: 33 mm / 1.3 in.
最大探头长度 = 立管内部长度
- 平衡坠子下方空间
20 mm / 0.8 in.
线缆长度 = 最大探头长度 + 钢缆插入平衡坠子的长度 12 mm / 0.5 in.
- 平衡坠子高度 33 mm / 1.3 in.
3. 测得线缆的切割点
从参照点开始测量 (图4) 并切割线缆
4. 将平衡坠子安装到线缆上, 并用 3 mm 内六角扳手拧紧两颗固定螺钉 (图3)
5. 通过螺纹孔调低平衡坠子的位置。确保平衡坠子沿着管道无阻力下滑, 同时线缆保持平直 (不接触内管或接入管道的内壁参阅图 2a)
6. 用扭力扳手拧紧机械连接件 (图1, 第2项), 力矩为 120 Nm (89 lb/ft)

计算测量范围

4 mA 设置最大测量范围:

- = 最大探头长度
- 平衡重高度 33 mm (1.3 in.)
- 底端死区 (参阅图5)

20 mA 设置最大测量范围:
= 顶端死区 (参阅图5)

示例

已知数据:
平衡坠子下方空间: 20 mm (0.8 in.)
钢缆插入平衡坠子的长度: 12 mm (0.5 in.)
平衡坠子高度: 33 mm (1.3 in.)
前提条件:
使用出厂设定值
制冷剂 = 氨立管内部长度 = 3100 mm (122 in.)
最大探头长度 = 3100 mm - 20 mm = 3080 mm
*122 in. - 0.8 in. = 121.3 in.)

线缆长度:

最大探头长度 =
+ 钢缆插入平衡坠子的长度 12 mm / 0.5 in.
- 平衡坠子高度 33 mm (1.3 in.)
3080 mm + 12 mm - 33 mm = 3059 mm
(121.3 in. + 0.5 in. - 1.3 in. = 120.4 in.)

4 mA 设置最大测量范围:

最大探头长度 3080 mm (121.3 in.)
- 平衡坠子高度 (33 mm (1.3 in.))
- 底端死区 (参阅图 5)
(210 mm (8.3 in.) = 2837 mm (111.7 in.))

20 mA 设置 (最大测量范围):

= 顶端死区 (参阅图 5) = 120 mm (4.7 in.)

如何安装 AKS 4100/4100U 转换器 (参阅图 6)

1. 使用信号转换器里面的 5mm 内六角扳手拧开固定螺栓与通风螺栓。
2. 向下推动信号转换器, 直至它停在机械连接件上。
3. 转动信号转换器至想要的位置。
4. 用 5 mm 内六角扳手拧紧固定螺栓。
5. 用 5 mm 内六角扳手拧紧通风螺栓。

电气安装/连接

输出端子 (图 7 和 8):

1. 电流输出 -
2. 电流输出 +
3. 接地端

电气安装步骤

1. 用 2.5 mm 内六角扳手松开盖挡。
2. 从机壳上取下端子舱盖。
3. 不要断开钢缆与端子舱盖的连接。将端子舱盖放在机壳旁边。
4. 将钢缆连接到设备。上紧线缆入口封套。
5. 将端子舱盖安装到机壳上。
6. 用 2.5 mm 内六角扳手拧紧盖挡。

启动

- 将转换器连接到电源。
- 将转换器通电。

若设备带选配的 HMI 显示屏则仅在: 10秒后屏幕将显示“Starting up (启动)”。20秒后屏幕将显示软件版本号。30秒后显示默认屏幕 (图12)。

将 AKS 41/41U 改为 AKS 4100/4100U 时需要注意。

注意:

AKS 41/41U 支持交流和直流电源, 而 AKS 4100/4100U 只能使用直流电源。按照图9的说明进行操作。

连接到控制器或 PLC
按照图10或11的说明进行操作。



注意:
AKS 4100/4100 检测到错误, 电流输出就会被设置为 3.6 mA, 设备状态将标记为 1、2、3

注意：
无论是否装有机械连接件，均可对信号转换器进行编程。

快速设置（下面所有数值均为举例）

- 将设备连接到电源（参阅“电气安装/连接”）。
- 连接 \odot 3 次。

AKS 4100
快速设置
是 否

- 按下 \odot

AKS 4100
探头类型
线缆式

- 按下 \odot 或 \triangleleft ，，在 SINGLE（电缆形式），COAXIAL（同轴形式）D14 或 COAXIAL（同轴形式）D22 之间选择一项。
按下 \odot 以示确认。

AKS 4100
探头长度
05000 mm

- 按下 \odot 更改探头长度。
按下 \odot 更改游标位置。
按下 \odot 调低数值，或者按下 \triangleleft 调高数值。
按下 \odot 以示确认。

AKS 4100
4mA 对应量程
04946 mm

- 按下 \odot 更改 SCALE（标度）4 mA。
按下 \odot 更改游标位置。
按下 \odot 调低数值，或者按 \triangleleft 调高数值。
按下 \odot 以示确认。

AKS 4100
20mA 对应量程
00070 mm

- 按下 \odot 更改 SCALE（标度）20 mA。
按下 \odot 更改游标位置。
按下 \odot 调低数值，或者按 \triangleleft 调高数值。
按下 \odot 以示确认。

AKS 4100
快速设置
完成 8

- 等待 8 秒，快速设置完成

AKS 4100
1.0.0
快速设置

- 按下 \odot 以示确认。

AKS 4100
1.0.0
保存设置 NO

- 按下 \triangleleft 或 \triangleright ，在 STORE NO（保存否）和 STORE YES（保存是）中选择一项。
按下 \odot 以示确认。

显示默认屏幕：

AKS 4100
距离
5000 mm

快速设置完成

您可以检查
您的设置，方法是连接两次 \odot 。

AKS 4100
线缆式 5000 mm
(0%) 4 mA 4877 mm
(100%) 20 mA 120 mm

按下 \odot \triangleleft \triangleright 返回默认屏幕。

强制 mA 输出（下面所有数值均为举例）

默认屏幕

AKS 4100
距离
5000 mm

- 按下 \odot

AKS 4100
1.0.0
快速设置

- 按下 \triangleleft

AKS 4100
2.0.0
操作员

- 按下 \odot

AKS 4100
2.0.0

输入密码：

\odot \triangleleft \triangleright \triangleleft \triangleright \odot

AKS 4100
2.1.0
信息

- 按下 \triangleleft

AKS 4100
2.2.0
测试

- 按下 \odot

AKS 4100
2.2.1
测试电流

- 按下 \odot

AKS 4100
测试电流
3.5 mA

- 按下 \triangleleft 调高数值，或者按下 \odot 调低数值。
按下 \odot 以示确认。

AKS 4100
测试电流
8 mA

- 连接 4 次 \odot 返回默认屏幕。

默认屏幕

AKS 4100
距离
5000 mm

强制 mA 完成并禁用

可选步骤

若已知立管的温度条件，可以输入一个常数（制冷剂气体的介电常数）（参数 2.5.3 GAS EPS.R），以降低顶端和底端死区的数值（参阅图5）。

如何输入制冷剂气体的介电常数（以下所有数值均为举例）

默认屏幕

AKS 4100
距离
5000 mm

• 按下 \odot

AKS 4100
1.00
快速设置

• 按下 \odot

AKS 4100
2.00
操作员

• 按下 \odot

AKS 4100
2.00

输入密码:

\odot \odot \odot \odot \odot

AKS 4100
2.1.0
信息

• 按下 \odot 4次

AKS 4100
2.5.0
工况参数

• 按下 \odot

AKS 4100
2.5.1
追従速度

• 按下 \odot 2次

AKS 4100
2.5.3
气相Er

• 按下 \odot ，以便检查/修改 GASEPS.R（气体介电常数）（从下表和第8页的表格中选择正确的数值）

按下 \odot 更改游标位置。

按下 \odot 调低数值，或者按下 \odot 调高数值。

AKS 4100
气相Er
1.066

• 按下 \odot 以示确认。

AKS 4100
2.5.3
气相Er

• 按下 \odot 3次。

AKS 4100
1.00
保存设置 NO

• 按下 \odot 或 \odot ，在 STORE NO（保存 否）和 STORE NO（保存 是）之间进行选择。按下 \odot 选择 STORE NO（保存 是）

默认屏幕

AKS 4100
距离
5000 mm

介电常数输入完成。

饱和蒸气的介电常数（默认值：1.066）

R717（氨）

温度范围:

-60 - 50 °C / -76 - 122 °F

温度 [°C]	温度 [°F]	制冷剂气体的介电常数 参数 2.5.3 GAS EPS.R
-60 - -42	-76 - -43	1.00
-41 - -18	42 - 0	1.01
-17 - -5	1 - 23	1.02
-4 - 4	24 - 39	1.03
5 - 12	40 - 54	1.04
13 - 18	55 - 64	1.05
19 - 24	65 - 75	1.06
25 - 28	76 - 82	1.07
29 - 33	83 - 91	1.08
34 - 37	92 - 99	1.09
38 - 40	100 - 104	1.10
41 - 44	105 - 111	1.11
45 - 47	112 - 117	1.12
48 - 50	118 - 122	1.13

R744（二氧化碳）

温度范围:

-56 - 15 °C / -69 - 59 °F

温度 [°C]	温度 [°F]	制冷剂气体的介电常数 参数 2.5.3 GAS EPS.R
-56.0 - -42.0	-69 - -43	1.01
-41.0 - -28.0	-42 - -18	1.02
-27.0 - -17.0	-17 - 2	1.03
-16.0 - -9.0	3 - 16	1.04
-8.0 - -3.0	17 - 27	1.05
-2.0 - 2	28 - 36	1.06
3 - 7	37 - 45	1.07
8 - 11	46 - 52	1.08
12 - 14	53 - 58	1.09
15	59	1.10

R22

温度范围:

-60 - 48 °C / -76 - 118 °F

温度 [°C]	温度 [°F]	制冷剂气体的介电常数 参数 2.5.3 GAS EPS.R
-60 - 50	-76 - 58	1.00
-49 - -25	57 - -13	1.01
-24 - -10	-12 - 14	1.02
-9 - 0	15 - 32	1.03
1 - 8	33 - 46	1.04
9 - 15	47 - 59	1.05
16 - 21	60 - 70	1.06
22 - 26	71 - 79	1.07
27 - 31	80 - 88	1.08
32 - 35	89 - 95	1.09
36 - 39	96 - 102	1.10
40 - 42	103 - 108	1.11
43 - 45	109 - 113	1.12
46 - 48	114 - 118	1.13

R134a

温度范围:

-60 - 50 °C / -76 - 122 °F

温度 [°C]	温度 [°F]	制冷剂气体的介电常数 参数 2.5.3 GAS EPS.R
-60 - -42	-76 - -43	1.00
-41 - -18	-42 - 0	1.01
-17 - -4	1 - 25	1.02
-3 - 5	26 - 41	1.03
6 - 13	42 - 56	1.04
14 - 20	57 - 68	1.05
21 - 25	69 - 77	1.06
26 - 30	78 - 86	1.07
31 - 34	87 - 94	1.08
35 - 38	95 - 100	1.09
39 - 42	101 - 108	1.10
43 - 45	109 - 113	1.11
46 - 48	114 - 119	1.12
49 - 50	120 - 122	1.13

饱和蒸气的介电常数

R410A
温度范围：
-65 – 15 °C / -85 – 59 °F

温度 [°C]	温度 [°F]	制冷剂气体的介电常数 参数 2.5.3 GAS EPS. R
-65 - -47	-85 - -52	1.01
-46 - -35	-51 - -31	1.02
-34 - -26	-30 - -14	1.03
-25 - -19	-13 - -2	1.04
-18 - -13	-1 - 9	1.05
-12 - -8	10 - 18	1.06
-7 - -4	19 - 25	1.07
-3 - 0	26 - 32	1.08
1 - 4	33 - 40	1.09
5 - 7	41 - 45	1.10
8 - 10	46 - 50	1.11
11 - 12	51 - 54	1.12
13 - 15	55 - 59	1.13

R404A
温度范围：
-60 – 15 °C / -76 – 59 °F

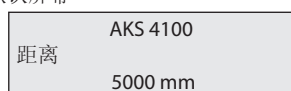
温度 [°C]	温度 [°F]	制冷剂气体的介电常数 参数 2.5.3 GAS EPS. R
-60 - -47	-76 - -52	1.01
-46 - -35	-51 - -31	1.02
-34 - -26	-30 - -14	1.03
-25 - -19	-13 - -2	1.04
-18 - -14	-1 - 7	1.05
-13 - -9	8 - 16	1.06
-8 - -4	17 - 25	1.07
-3 - 0	26 - 32	1.08
1 - 3	33 - 38	1.09
4 - 6	39 - 43	1.10
7 - 9	44 - 49	1.11
10 - 12	50 - 54	1.12
13 - 15	55 - 59	1.13

R507
温度范围：
-60 – 15 °C / -76 – 59 °F

温度 [°C]	温度 [°F]	制冷剂气体的介电常数 参数 2.5.3 GAS EPS. R
-60 - -48	-76 - -54	1.01
-47 - -36	-53 - -32	1.02
-35 - -28	-31 - -18	1.03
-27 - -21	-17 - -6	1.04
-20 - -15	-17 - -5	1.05
-14 - -10	-4 - 14	1.06
-9 - -6	13 - 22	1.07
-5 - -2	23 - 29	1.08
-1 - 2	30 - 36	1.09
3 - 5	37 - 41	1.10
6 - 8	42 - 47	1.11
9 - 11	48 - 52	1.12
12 - 13	53 - 56	1.13
14 - 15	57 - 59	1.14

语言设置 (默认语言: 英语)

默认屏幕



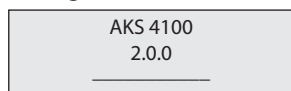
• 按下



• 按下



• 按下



输入密码:



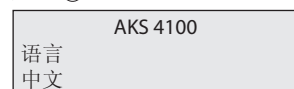
• 按下 6次



• 按下



• 按下



• 按下 或 查看语言选项
按下 以示确认。

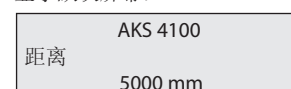


• 连接 3次



• 按下 或 , 在 STORE NO (保存 否) 和 STORE YES (保存 是) 之间进行选择。
按下 选择 STORE YES (保存 是)

显示默认屏幕:



语言设置完成

恢复出厂设置

- 进入操作员 (查看) 菜单 (参见第7页)
- 进入参数 2.9.4 恢复出厂设置
- 选择恢复出厂设置 是 (恢复出厂设置: 是)
- 按下 三次, 返回默认屏幕

恢复出厂完成

日本語



AKS 4100/4100U は必ず直立管 (柱/パイプ/静止筒) に設置するようにしてください。直立管は以下の場合に使用されます:

- AKS 4100用の整備
- タンク内にアワが多くある場合
- 液体が非常に激しく乱れている場合

冷媒

AKS 4100/4100U は、特に R717 (アンモニア)、HCFC、HFC といった最も広く使用されている冷媒や非腐食性ガス/液体のレベルを計測するために設計されています。

AKS 4100/4100U は、同軸バージョンでは R744 (CO₂) にも使用できます。詳細については技術カタログをご覧ください。

基本データ

AKS 4100/4100U は、ループ給電のパッシブ 2 線 4 ~ 20 mA センサーです。

供給電圧

14 ~ 30 V DC 最大出力 22 mA

負荷

RL [Ω] ≤ ((Uext - 14 V) / 20 mA).

- デフォルト (エラー出力は 3.6 mA に設定)

RL [Ω] ≤ ((Uext - 14 V) / 22 mA).

- (エラー出力は 22 mA に設定)

ケーブルグラウンド

AKS 4100 PG 13, M20 × 1.5;

(ケーブル径:

6 ~ 8 mm (0.24 ~ 0.31 インチ))

AKS 4100U ½ インチ NPT

端子 (バネ懸架式)

0.5 ~ 1.5 mm² (~ 20-15 AWG)

保護構造

IP 67 (~ NEMA タイプ 4X)

冷媒温度

-60 ~ 100 °C / -76 ~ 212 °F

冷媒

リストにある冷媒は Danfoss が認定したものです:

R717 / NH₃: -40 ~ 50 °C / -40 ~ 122 °F

R744 / CO₂: -50 ~ 15 °C / -58 ~ 59 °F

HCFC:

R22: -50 ~ 48 °C / -58 ~ 118 °F

HFC:

R404A: -50 ~ 15 °C / -58 ~ 59 °F

R410A: -50 ~ 15 °C / -58 ~ 59 °F

R134A: -40 ~ 50 °C / -40 ~ 122 °F

(詳細は技術カタログを参照)

周囲温度

-40 ~ 80 °C / -40 ~ 175 °F

HMI の場合: -20 ~ 60 °C / -4 ~ 140 °F

処理圧力

-1 ~ 100 barg / -14.5 ~ 1450 psig

5 m (197 インチ) Ø2 mm (0.08 インチ) ステンレス

ケーブルによる機械プロセス接続部:

AKS 4100 G1 インチ管ネジ。

アルミニウム製ガスケット付属

AKS 4100U ¾ インチ NPT

(詳細は技術カタログを参照)

機械設置

機械設置前の準備

信号変換器を機械プロセス接続部から外します (5 mm 六角レンチを使用。図 6 を参照)。赤色の保護カバーを機械プロセス接続部に取り付けて湿気やほこりから保護します。

付属品の内容 (図 1)

- ① 信号変換器 (HMI がある場合とない場合があります)
- ② 5 m (197 インチ) Ø2 mm (0.08 インチ) ステンレスケーブルによる機械プロセス接続部
- ③ 釣り合いおもり
- ④ アクセサリバッグ:
3 mm ネジ (釣り合いおもり取付用)
信号変換器を取り付ける前に機械プロセス接続部②を保護するための赤色のカバー
設定ラベル

注:

直立管の設計ガイドライン:



側面接続管は、直立管内部に出っ張ってはなりません (図 2a)。

側面接続管の推奨径: 直立管径 × 0.5 (たとえば直立管の径が DN100 の場合には、側面接続管の径は DN50 以下でなければなりません) (図 2a)。

側面接続管についての上記の設計ガイドラインが守られない場合には、以下のいずれかの方法を推奨します。

1. ディテクションディレーを長くする。パラメータ 2.3.6 ディテクションディレー (パラメータ 2.3.6) を標準の 0 mm から側面上部の接続部の最下点プラス 50 mm まで延ばすことを推奨します (図 2a)。

ディテクションディレー (パラメータ 2.3.6) を変更しても、AKS 4100/4100U の (0%) 4mA および (100%) 20mA 設定を変更する必要はありません。ディテクションディレー内では、計測は行われません。

2. ケーブルを同軸バージョンに交換する。

直立管は、その全長にわたって同じ直径でなければなりません。直立管の直径が変化する場合 (図 2b)、ケーブルバージョンはお勧めできません。同軸バージョンを使用してください。

釣り合いおもり羽根の調整
ガイド付き羽根と管の内壁との間に 5 mm の空間が空くようにします (図 2c 参照)。サイドカッターを使用してガイド付き羽根の形を整え、実際の直立管の直径に合わせます (図 3 を参照)。

ケーブルプローブの調整



ステンレスケーブルが折れたりよじれたりしないように注意してください。

すべての計測の開始点を決定する際には、必ず機械プロセス接続部の基準点 (図 4 を参照) を参照してください:

- ケーブルの切断箇所。
- プローブ長 (図 5 を参照)
- スケール 4 mA (図 5 を参照)
- スケール 20 mA (図 5 を参照)

AKS 4100/4100U の HMI (ヒューマン マシン インターフェイス) をプログラミングする際には、プローブ長、スケール 4 mA、スケール 20 mA を使用します。

図 4 および 5 を参照し、以下の説明に従ってください:

1. 直立管の内側の長さを測定します。
2. ケーブル切断前の準備
既知のデータ:
釣り合いおもり下の空間: 20 mm (0.8 インチ)
釣り合いおもり内の鋼線挿入長: 12 mm (0.5 インチ)
釣り合いおもりの高さ: 33 mm (1.3 インチ)
最大プローブ長 =
直立管の内部長さ
- 釣り合いおもり下の空間 (20 mm (0.8 インチ))
ケーブル長 =
最大プローブ長
+ 釣り合いおもり内の鋼線挿入長さ
長 (12 mm (0.5 インチ))
- 釣り合いおもりの高さ (33 mm (1.3 インチ))
3. ケーブルの切断ポイントを測定します。
基準ポイント (図 4) から計測してケーブルを切断します。
4. 釣り合いおもりをケーブルに取り付け、2 本の取り付けネジと 3 mm 六角レンチを使用して固定します (図 3)。
5. ネジ切りされた穴を通して釣り合いおもりを下げます。釣り合いおもりが抵抗なく管を通して下がっているとき、ケーブルが直立管または流入管の内壁に触れることなく真っ直ぐになっていることを確認します (図 2a を参照)。
6. トルクレンチを使用して、機械プロセス接続部 (図 1 の項目 2) を 120 Nm (89 lb/ft) まで締め付けます。

計測範囲の計算

4 mA 設定の最大計測範囲:

- = 最大プローブ長
- 釣り合いおもりの高さ (33 mm (1.3 インチ))
- 下部デッドゾーン (図 5 を参照)

20 mA 設定の最大計測範囲:

- = 上部デッドゾーン (図 5 を参照)

例

既知のデータ:

釣り合いおもり下の空間: 20 mm (0.8 インチ)

釣り合いおもり内の鋼線挿入長: 12 mm (0.5 インチ)

釣り合いおもりの高さ: 33 mm (1.3 インチ)

条件:

工場出荷時の設定を使用

冷媒 = アンモニア

直立管の内部長さ = 3100 mm (122 インチ)

最大プローブ長 = 3100 mm - 20 mm = 3080 mm

(122 インチ - 0.8 インチ = 121.3 インチ)

ケーブル長:

最大プローブ長 =

+ 釣り合いおもりの鋼線挿入長 (12 mm (0.5 インチ))

- 釣り合いおもりの高さ (33 mm (1.3 インチ))

3080 mm + 12 mm - 33 mm = **3059 mm**

(121.3 インチ + 0.5 インチ - 1.3 インチ = **120.4**

インチ)

4 mA 設定の最大計測範囲:

最大プローブ長 (3080 mm (121.3 インチ))

- 釣り合いおもりの高さ (33 mm (1.3 インチ))

- 下部デッドゾーン (図 5 を参照)

(210 mm (8.3 インチ)) = **2837 mm (111.7**

インチ)

20 mA 設定の最大計測範囲:

= 上部デッドゾーン (図 5 を参照) = 120 mm (4.7

インチ)

AKS 4100/4100U コンバータの取り付け方法

(図 6 を参照)

1. 信号変換器の位置決めネジと通気ネジを 5 mm の六角レンチで外してください。
2. 信号変換器を下方方向に止まるまで押し込み、機械プロセス接続部と確実に吻合させます。
3. 信号変換器を希望する向きに回します。
4. 位置決めネジを 5 mm の六角レンチで締め付けてください。
5. 通気ネジを 5 mm の六角レンチで締め付けてください。

電気接続

出力端子 (図 7 および 8)

1. 電流出力 -
2. 電流出力 +
3. 接地端子

電気接続の手順

1. 2.5 mm 六角レンチを使用してカバー止めを緩めます。
2. 筐体から端子部品カバーを取り外します。
3. ワイヤは端子部品カバーから外してはなりません。筐体の横に端子部品カバーを置きます。
4. ワイヤを装置に接続します。ケーブル入口金物を締め付けます。
5. 端子部品カバーを筐体に取り付けます。
6. 2.5 mm 六角レンチを使用してカバー止めを緩めます。

起動:

- 変換器を電源に接続します。
- 変換器に通電します。

HMI ディスプレイオプションのある装置のみ: 10 秒後に「Starting up」と画面に表示されます。20 秒後にソフトウェアのバージョン番号が画面に表示されます。30 秒後にデフォルト画面 (図 12) が表示されます。

変更時の注意点

AKS 41/41U から AKS 4100/4100U

注:

AKS 41/41U は交流と直流の両方の電源に対応していますが、AKS 4100/4100U は直流電源のみで使用します。図 9 の説明に従ってください。

コントローラまたは PLC への接続 図 10 または 11 の説明に従ってください。



AKS 4100/4100 がマーカー 1、2、3 のようなエラーを検知した場合には、電流出力は 3.6 mA に設定されます (4 ページ参照)。

クイックセットアップ →

注:
信号変換器は、機械プロセスコネクタ付き、またはなしでプログラムすることができます。

クイックセットアップ (以下の値はすべて一例です)

- 装置を電源に接続します (「電気接続」のセクションを参照してください)。

- ➡ を 3 回押します。

AKS 4100
クイックセットアップ?
はい いいえ

- ➡ を押します。

AKS 4100
プローブタイプ
ケーブル式

- ⬇ または ⬆ を押して、「シングルケーブル式」、「同軸式 D14」、または「同軸式 D22」を選択します
「ケーブル式」を選択し、⬅ を押して確定します。

AKS 4100
プローブ長さ
05000 mm

- ➡ を押して「プローブ長さ」を変更します
- ➡ を押してカーソルの位置を変更します。
- ⬇ を押して値を減らすか、⬆ を押して値を増やします。
- ⬅ を押して確定します。

AKS 4100
4mA位置
04946 mm

- ➡ を押して「4mA位置」に変更します。
- ➡ を押してカーソルの位置を変更します。
- ⬇ を押して値を減らすか、⬆ を押して値を増やします。
- ⬅ を押して確定します。

AKS 4100
20mA位置
00070 mm

- ➡ を押して「20mA位置」に変更します。
- ➡ を押してカーソルの位置を変更します。
- ⬇ を押して値を減らすか、⬆ を押して値を増やします。
- ⬅ を押して確定します。

AKS 4100
クイックセットアップ
コンプリート8

- 高速設置が完了するまで 8 秒間待ちます。

AKS 4100
1.0.0
クイックセットアップ?

- ⬅ を押して確定します。

AKS 4100
1.0.0
保存中止

- ⬇ または ⬆ を押して「保存中止」または「保存」のいずれかを選択します。
- ⬅ を押して確定します。

デフォルト画面が表示されます:

AKS 4100
距離
5000 mm

クイックセットアップ完了

- ➡ を 2 回押して設定を確認することができます。

AKS 4100
ケーブル式 5000 mm
(0%) 4 mA 4877 mm
(100%) 20 mA 120 mm

- ⬅ ⬆ ⬅ を押してデフォルト画面に戻ります。

強制的に mA 出力にするには (以下の値はすべて一例です)

デフォルト画面

AKS 4100
距離
5000 mm

- ➡ を押します。

AKS 4100
1.0.0
クイックセットアップ

- ⬆ を押します。

AKS 4100
2.0.0
スーパーバイザー

- ➡ を押します。

AKS 4100
2.0.0

パスワードを入力します:

➡ ⬅ ⬇ ⬆ ⬅

AKS 4100
2.1.0
インフォメーション

- ⬆ を押します。

AKS 4100
2.2.0
テスト

- ➡ を押します。

AKS 4100
2.2.1
出力設定

- ➡ を押します。

AKS 4100
出力設定
3.5 mA

- ⬇ を押して値を減らすか、⬆ を押して値を増やします。
- ⬅ を押して確定します。

AKS 4100
出力設定
8 mA

- ⬅ を 4 回押してデフォルト画面に戻ります。

デフォルト画面が表示されます:

AKS 4100
距離
5000 mm

オプションの手順

直立管の温度条件を理解している場合には、定数 (冷媒ガスの誘電率) を入力 (パラメータ 2.5.3 ガス誘電率) して、上部および下部デッドゾーンの下限值を得ることができます (図 5 を参照)。

冷媒ガスの誘電率の入力方法 (以下の値はすべて一例です)

<p>デフォルト画面</p> <div style="border: 1px solid black; padding: 5px; margin-bottom: 10px;">AKS 4100 距離 5000 mm</div> <ul style="list-style-type: none"> ➡ を押します。 <div style="border: 1px solid black; padding: 5px; margin-bottom: 10px;">AKS 4100 1.0.0 クイックセットアップ</div> <ul style="list-style-type: none"> ⬆ を押します。 <div style="border: 1px solid black; padding: 5px; margin-bottom: 10px;">AKS 4100 2.0.0 スーパーバイザー</div> <ul style="list-style-type: none"> ➡ を押します。 <div style="border: 1px solid black; padding: 5px; margin-bottom: 10px;">AKS 4100 2.0.0</div> <p>パスワードを入力します:</p> <p>➡ ⬆ ⬇ ⬆ ⬇ ⬆</p> <div style="border: 1px solid black; padding: 5px; margin-bottom: 10px;">AKS 4100 2.1.0 インフォメーション</div>	<ul style="list-style-type: none"> ⬆ を 4 回押します。 <div style="border: 1px solid black; padding: 5px; margin-bottom: 10px;">AKS 4100 2.5.0 アプリケーション</div> <ul style="list-style-type: none"> ➡ を押します。 <div style="border: 1px solid black; padding: 5px; margin-bottom: 10px;">AKS 4100 2.5.1 追従速度</div> <ul style="list-style-type: none"> ⬆ を 2 回押します。 <div style="border: 1px solid black; padding: 5px; margin-bottom: 10px;">AKS 4100 2.5.3 ガス誘電率</div> <ul style="list-style-type: none"> ➡ を押して「ガス誘電率」を確認/変更します。 (以下の表および 8 ページの表から正しい値を選択します) ➡ を押してカーソルの位置を変更します。 ⬇ を押して値を減らすか、⬆ を押して値を増やします。 <div style="border: 1px solid black; padding: 5px; margin-bottom: 10px;">AKS 4100 ガス誘電率 1.066</div>	<ul style="list-style-type: none"> ⬆ を押して確定します。 <div style="border: 1px solid black; padding: 5px; margin-bottom: 10px;">AKS 4100 2.5.3 ガス誘電率</div> <ul style="list-style-type: none"> ⬆ を 3 回押します。 <div style="border: 1px solid black; padding: 5px; margin-bottom: 10px;">AKS 4100 1.0.0 保存中止</div> <ul style="list-style-type: none"> ⬇ または ⬆ を押して「保存中止」または「保存」を選択します。 ➡ を押して「保存」を選択します。 <p>デフォルト画面が表示されます:</p> <div style="border: 1px solid black; padding: 5px; margin-bottom: 10px;">AKS 4100 距離 5000 mm</div> <p>冷媒ガスの誘電率の入力完了</p>
---	---	--

飽和蒸気誘電率 (デフォルト値:1.066)

R717 (NH₃)

温度範囲:

-60 – 50 °C / -76 – 122 °F

温度 [°C]	温度 [°F]	誘電率 冷媒ガスの パラメータ 2.5.3 GAS EPS.R
-60 – -42	-76 – -43	1.00
-41 – -18	42 – 0	1.01
-17 – -5	1 – 23	1.02
-4 – 4	24 – 39	1.03
5 – 12	40 – 54	1.04
13 – 18	55 – 64	1.05
19 – 24	65 – 75	1.06
25 – 28	76 – 82	1.07
29 – 33	83 – 91	1.08
34 – 37	92 – 99	1.09
38 – 40	100 – 104	1.10
41 – 44	105 – 111	1.11
45 – 47	112 – 117	1.12
48 – 50	118 – 122	1.13

R22

温度範囲:

-60 – 48 °C / -76 – 118 °F

温度 [°C]	温度 [°F]	誘電率 冷媒ガスの パラメータ 2.5.3 GAS EPS.R
-60 – -50	-76 – -58	1.00
-49 – -25	57 – 13	1.01
-24 – -10	-12 – 14	1.02
-9 – 0	15 – 32	1.03
1 – 8	33 – 46	1.04
9 – 15	47 – 59	1.05
16 – 21	60 – 70	1.06
22 – 26	71 – 79	1.07
27 – 31	80 – 88	1.08
32 – 35	89 – 95	1.09
36 – 39	96 – 102	1.10
40 – 42	103 – 108	1.11
43 – 45	109 – 113	1.12
46 – 48	114 – 118	1.13

R744 (CO₂)

温度範囲:

-56 – 15 °C / -69 – 59 °F

温度 [°C]	温度 [°F]	誘電率 冷媒ガスの パラメータ 2.5.3 GAS EPS.R
-56.0 – -42.0	-69 – -43	1.01
-41.0 – -28.0	-42 – -18	1.02
-27.0 – -17.0	-17 – 2	1.03
-16.0 – -9.0	3 – 16	1.04
-8.0 – -3.0	17 – 27	1.05
-2.0 – 2	28 – 36	1.06
3 – 7	37 – 45	1.07
8 – 11	46 – 52	1.08
12 – 14	53 – 58	1.09
15	59	1.10

R134a

温度範囲:

-60 – 50 °C / -76 – 122 °F

温度 [°C]	温度 [°F]	誘電率 冷媒ガスの パラメータ 2.5.3 GAS EPS.R
-60 – -42	-76 – -43	1.00
-41 – -18	-42 – 0	1.01
-17 – -4	1 – 25	1.02
-3 – 5	26 – 41	1.03
6 – 13	42 – 56	1.04
14 – 20	57 – 68	1.05
21 – 25	69 – 77	1.06
26 – 30	78 – 86	1.07
31 – 34	87 – 94	1.08
35 – 38	95 – 100	1.09
39 – 42	101 – 108	1.10
43 – 45	109 – 113	1.11
46 – 48	114 – 119	1.12
49 – 50	120 – 122	1.13

飽和蒸気誘電率

R410A

温度範囲:
-65 – 15 °C / -85 – 59 °F

温度 [°C]	温度 [°F]	誘電率 冷媒ガスの パラメータ 2.5.3 GAS EPS.R
-65 – -47	-85 – -52	1.01
-46 – -35	-51 – -31	1.02
-34 – -26	-30 – -14	1.03
-25 – -19	-13 – -2	1.04
-18 – -13	-1 – 9	1.05
-12 – -8	10 – 18	1.06
-7 – -4	19 – 25	1.07
-3 – 0	26 – 32	1.08
1 – 4	33 – 40	1.09
5 – 7	41 – 45	1.10
8 – 10	46 – 50	1.11
11 – 12	51 – 54	1.12
13 – 15	55 – 59	1.13

R404A

温度範囲:
-60 – 15 °C / -76 – 59 °F

温度 [°C]	温度 [°F]	誘電率 冷媒ガスの パラメータ 2.5.3 GAS EPS.R
-60 – -47	-76 – -52	1.01
-46 – -35	-51 – -31	1.02
-34 – -26	-30 – -14	1.03
-25 – -19	-13 – -2	1.04
-18 – -14	-1 – 7	1.05
-13 – -9	8 – 16	1.06
-8 – -4	17 – 25	1.07
-3 – 0	26 – 32	1.08
1 – 3	33 – 38	1.09
4 – 6	39 – 43	1.10
7 – 9	44 – 49	1.11
10 – 12	50 – 54	1.12
13 – 15	55 – 59	1.13

R507

温度範囲:
-60 – 15 °C / -76 – 59 °F

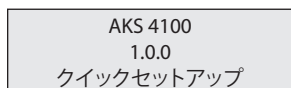
温度 [°C]	温度 [°F]	誘電率 冷媒ガスの パラメータ 2.5.3 GAS EPS.R
-60 – -48	-76 – -54	1.01
-47 – -36	-53 – -32	1.02
-35 – -28	-31 – -18	1.03
-27 – -21	-17 – -6	1.04
-20 – -15	-17 – -5	1.05
-14 – -10	-4 – 14	1.06
-9 – -6	13 – 22	1.07
-5 – -2	23 – 29	1.08
-1 – 2	30 – 36	1.09
3 – 5	37 – 41	1.10
6 – 8	42 – 47	1.11
9 – 11	48 – 52	1.12
12 – 13	53 – 56	1.13
14 – 15	57 – 59	1.14

言語設定の変更方法 (デフォルト:日本語)

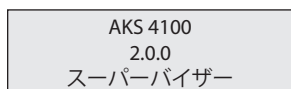
デフォルト画面



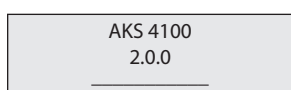
- **▶** を押します。



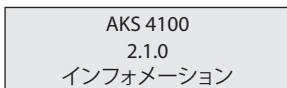
- **▲** を押します。



- **▶** を押します。



パスワードを入力します:



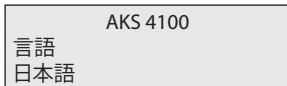
- **▲** を 6 回押します。



- **▶** を押します。

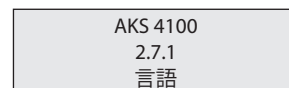


- **▶** を押します。



- **▼** または **▲** を押して言語の選択肢を表示します。

◀ を押して確定します。



- **◀** を 3 回押します。



- **▼** または **▲** を押して「保存中止」または「保存」を選択します。

◀ を押して「保存実行」を選択します。デフォルト画面が表示されます:



言語設定完了

工場出荷時の設定にリセットする

- 「スーパーバイザー」メニューに移動します (7 ページを参照)。
- パラメータ 2.9.4 の工場設定リセットに移動します。
- 「工場設定リセット」を選択します。
- **◀** を 3 回押してデフォルト画面に戻ります。

工場出荷時状態へのリセットが完了します。

РУССКИЙ



Уровнемер AKS 4100/4100U тросовой версии, всегда устанавливается на вертикальной трубе (измерительной колонке и т.д.). Коаксиальная версия уровнемера AKS 4100/4100U допускает установку непосредственно на сасуд.

Хладагенты

AKS 4100/4100U тросовой версии, специально разработан для применения со всеми широко распространёнными хладагентами, включая R717 (аммиак), HCFC, HFC, а также неагрессивными газами и жидкостями (кроме CO₂). Для CO₂ необходимо применять коаксиальную версию уровнемера.

Основные тех. характеристики

AKS 4100/4100U это пассивный 2-проводной, уровнемер.

Питающее напряжение

14-30 В постоянного тока (мин./макс. величина) для тока

22 мА на выходе.

Нагрузка

RL [Ω] ≤ ((Uвнеш. - 14 В) / 20 мА).

– По умолчанию (значение выходного сигнала, при котором выдаётся сообщение об ошибке, установлено на 3,6 мА)

RL [Ω] ≤ ((Uвнеш. - 14 В) / 22 мА).

– (значение выходного сигнала, при котором выдаётся сообщение об ошибке, установлено на 22 мА)

Кабельный ввод

AKS 4100PG 13, M20x1.5;
(диаметр кабеля: 6-8 мм (0.24-0.31"))
AKS 4100U ½". NPT

Клеммы (с подпружиненными зажимами)
0.5-1.5 мм² (~20-15 AWG)

Степень защиты

IP 67 (~NEMA тип 4X)

Refrigerant temperature

-60 – 100 °C / -76 – 212 °F

Хладагенты

Использование данных датчиков с перечисленными далее хладагентами опробовано и одобрено компанией

«Danfoss»:

R717 / NH₃: -40 – 50 °C / -40 – 122 °F

R744 / CO₂: -50 – 15 °C / -58 – 59 °F

HCFC:

R22: -50 – 48 °C / -58 – 118 °F

HFC:

R404A: -50 – 15 °C / -58 – 59 °F

R410A: -50 – 15 °C / -58 – 59 °F

R134A: -40 – 50 °C / -40 – 122 °F

(Более подробно см. в Техническом описании)

Температура окружающей среды:

-40 – 80 °C / -40 – 175 °F

Для NMI: -20 – 60 °C / -4 – 140 °F

Рабочее давление:

от -1 изб. до 100 изб. (от -14.5 фунт/дюйм² до 1450 фунт/дюйм²)

Механическое соединение тросовой модификации 5 м (197") ∅2 (0.08")

- для датчика AKS 4100: резьбовое соединение с трубной резьбой G 1". В комплект поставки входит алюминиевая прокладка.

- для датчика AKS 4100U: резьбовое соединение с трубной резьбой ¾" NPT.

Монтаж устройства

Подготовка к монтажу уровнемера

Отсоедините преобразователь сигнала от штуцера (используйте ключ на 5 мм, см. Рис. 6). Штуцер закройте заглушкой, поставляемой в комплекте. Это позволит избежать загрязнения электрических контактов.

Комплектность (Рис. 1)

① Преобразователь сигнала (с или без NMI)

② Штуцер с 5 метровым тросом (5 м (197") ∅2 мм (0.08")) из нержавеющей стали

③ Центровочный груз

④ Дополнительные принадлежности:

– комплект винтов, размер 3 мм;

– красная крышка, служащая для защиты соединительного штуцера до того момента, пока к нему не будет присоединён преобразователь сигналов;

– бирка с данными по настройке датчика.

Внимание:



Рекомендации по конструкции измерительных колонок:

Подсоединительные патрубки **не должны** находиться внутри колонок (Рис. 2а)

Для изготовления присоединительных патрубков, рекомендуется применять трубы диаметр которых равен 0,5 x диаметра измерительной колонки, или меньше (те для Ду 100 присоединительный патрубок должен быть Ду 50 или меньше) (Рис. 2а).

В случае не выполнения, приведенных выше рекомендаций, необходимо выбрать одно из приведенных ниже решений:

1. Увеличить Задержку Обнаружения. Параметр 2.3.6. Мы рекомендуем изменить параметр (по умолчанию 0 мм) на значение равное расстоянию до нижнего края верхнего присоединительного патрубка плюс 50 мм. (Рис. 2а).

После увеличения Задержки Обнаружения (параметр 2.3.6), нет необходимости в изменении значений 4мА (0%) и 20мА (100%) предварительно настроенных. Так как в данной зоне не будут производиться измерения.

2. Замена тросовой версии на коаксиальную. В измерительная колонка **ДОЛЖНА** иметь один и тот же диаметр по всей своей длине. Если же диаметр различается (Рис. 2б), то тросовую версию применять не рекомендуется, следует применить коаксиальную версию уровнемера.

Обрезка лопастей центровочного груза

Необходимо оставить зазор, равный 5 мм, между лопастями центровочного груза и внутренней стенкой колонки (см. Рис. 2с). Используя бокорезы обрежьте лопасти до необходимого размера (см. Рис. 3).

Подготовка троса к установке



Обратите внимание что трос не должен и меть замятостей и перегибов, по всей своей длине.

Всегда в качестве начальной точки измерений используйте конец резьбы **Штуцера**, как показано на Рис. 4:

- Обрезка троса.
- Длина троса (см. Рис. 5)
- Точка 4 мА (см. Рис. 5)
- Точка 20 мА (см. Рис. 5)

Обратите внимание, что длина троса, значе- ния верхней точки 20 мА и нижней 4 мА точки. Необходимы при программировании уровне-мера по средствам HIM

Следуйте инструкции и см. Рис. 4 и 5:

1. Измерьте внутреннюю длину колонки.

2. Перед обрезкой троса

Дано:

Расстояние от груза до дна колонки: 20 мм (0.8")

Длина троса зажимаемого в грузе: (12 мм (0.5"))

Высота центровочного груза: 33 мм (1.3")

Максимальная измеряемая длина =

Внутренняя длина колонки

– **Расстояние от груза до дна колонки**

(20 мм (0.8"))

Длина троса =

Максимальная измеряемая длина

+ Длина троса зажимаемого в грузе

(12 мм (0.5"))

– **Высота центровочного груза: 33 мм**

(1.3")

3. Вычислите необходимую длину кабеля.

Отмерьте необходимое значение от начальной точки (Рис. 4) и отрежьте трос.

4. Установите центровочный груз на тросе, закрепите при помощи 2х винтов на 3 мм.

5. Пропустите груз через штуцер измерительной колонки. **Убедитесь что груз проходит по колонке без сопротивления и трос полностью натяннут (не касается стенок колонки)**(см. Рис. 2а).

6. Используя манометрический ключ затените штуцер (Рис. 1, поз.2) с усилием 120 Нм.

Расчет диапазона измерения

4 мА определение значения точки =

Максимальная измеряемая длина

– Высота центровочного груза: 33 мм

(1.3")

– Нижняя мертвая зона (см. Рис. 5)

20 мА определение значения точки =

Верхняя мертвая зона (см. Рис. 5)

Пример

Дано:

Расстояние от груза до дна колонки: 20 мм (0.8")

Длина троса зажимаемого в грузе: 12 мм (0.5")

Высота центровочного груза: 33 мм (1.3")

Используется заводская настройка

Хладагент = Аммиак

Внутренняя длина колонки = 3100 мм (122")

Максимальная измеряемая длина =

3100 мм – 20 мм = 3080 мм

(122" – 0.8" = 121.3")

Длина троса =

Максимальная измеряемая длина

+ Длина троса зажимаемого в грузе

(12 мм (0.5"))

– Высота центровочного груза: 33 мм

(1.3")

3080 мм + 12 мм – 33 = **3059 мм**

(121.3" + 0.5" – 1.3" = **120.4"**)

4 мА определение значения точки =

Максимальная измеряемая длина

(3080 мм (121.3"))

– Высота центровочного груза

(33 мм (1.3"))

– Нижняя мертвая зона (см. Рис. 5)

(210 мм (8.3"))

= **2837 мм (111.7")**

20 мА определение значения точки =

Верхняя мертвая точка (см. Рис. 5)

= **120 мм (4.7")**

Установка преобразователя сигнала

AKS 4100/4100U (см. Рис. 6)

1. Откройте крестовый и вентиляционный винты на преобразователе сигнала при помощи шестигранного ключа 5 мм.
2. Прижмите преобразователь сигнала, чтобы он плотно сидел на штуцере волновода.
3. Поверните преобразователь сигнала в требуемое положение.
4. Затяните крепежный винт шестигранным ключом 5 мм.
5. Затяните вентиляционный винт шестигранным ключом 5 мм.

Электрическое подключения

Выходные клеммы (Рис. 7 и 8):

1. Выходной ток –
2. Выходной ток +
3. Клема заземления

Порядок электрического подключения

1. Ослабьте стопорный винт крышки при помощи ключа-шестигранника, имеющего размер 2,5 мм.
2. Снимите крышку от клеммной коробки. Положите крышку клеммной коробки рядом с корпусом.
3. Подключите провода к прибору. Затяните кабельный ввод.
4. Подключите провода к прибору. Затяните кабельный ввод.
5. Установите крышку клеммной коробки на корпус.
6. Затяните стопорный винт при помощи ключа-шестигранника, имеющего размер 2.5 мм

Включение:

- Подсоедините питание.

Только для уровнемеров с NMI: После 10 секунд на дисплее отобразится "Starting up". А после 20 секунд на дисплее отобразится версия прошивки уровнемера. Через 30 секунд дисплей перейдет в рабочий режим (Рис. 12).

При замене AKS 41/41U на AKS 4100/4100U

Внимание:

AKS 41/41U мог работать от двух типов питания AC и DC в свою очередь AKS 4100/4100U использует только тип DC

Пример подключения см. Рис. 9.

Подключение к контроллеру или PLC

Следуйте инструкции на Рис. 10 и 11.



В случае если AKS 4100/4100U во время работы обнаружит ошибку и отобразит 1, 2 или 3 (см. стр. 4 пункт №5). То выходной сигнал будет равен 3.6 мА.

БЫСТРАЯ НАСТРОЙКА →

Дополнительная настройка

Если известны температурные условия в трубе, то может быть введена величина диэлектрической проницаемости хладагента (параметр 2.5.3 GAS EPS.R). Это поможет сократить размеры верхней и нижней мёртвых зон

Введение величины диэлектрической проницаемости (все величины приведены ниже только в качестве примера)

Начальное меню

AKS 4100
Дистанция
5000 mm

• Нажмите

AKS 4100
1.0.0
БЫСТРАЯ НАСТРОЙКА

• Нажмите

AKS 4100
2.0.0
Супервизор

• Нажмите

AKS 4100
2.0.0

Введите пароль:

AKS 4100
2.1.0
Информация

• Нажмите 4 раза

AKS 4100
2.5.0
Применение

• Нажмите

AKS 4100
2.5.1
Скор.слежения

• Нажмите 2 раза

AKS 4100
2.5.3
Er газа

• Нажмите чтобы изменить величину диэлектрической проницаемости (Er газа). Выберите соответствующую величину из таблиц на стр. 7 и 8. Нажмите для изменения положения курсора. Нажмите или для изменения значения.

AKS 4100
Er газа
1.066

• Нажмите для подтверждения

AKS 4100
2.5.3
Er газа

• Нажмите 3 раза

AKS 4100
1.0.0
Сохранить HET

• Нажмите или для выбора Сохранить HET или Сохранить ДА. Нажмите для подтверждения .

Появится экран со значениями по умолчанию:

AKS 4100
Дистанция
5000 mm

Введение величины диэлектрической проницаемости закончено.

Диэлектрическая проницаемость насыщенного пара (величина, принятая по умолчанию: 1,006)

R717 (NH₃)

Температурный диапазон:
-60 – 50 °C / -76 – 122 °F

Температура [°C]	Температура [°F]	Диэлектрическая проницаемость. Параметр 2.5.3 GAS EPS.R
-60 – -42	-76 – -43	1.00
-41 – -18	42 – 0	1.01
-17 – -5	1 – 23	1.02
-4 – 4	24 – 39	1.03
5 – 12	40 – 54	1.04
13 – 18	55 – 64	1.05
19 – 24	65 – 75	1.06
25 – 28	76 – 82	1.07
29 – 33	83 – 91	1.08
34 – 37	92 – 99	1.09
38 – 40	100 – 104	1.10
41 – 44	105 – 111	1.11
45 – 47	112 – 117	1.12
48 – 50	118 – 122	1.13

R22

Температурный диапазон:
-60 – 48 °C / -76 – 118 °F

Температура [°C]	Температура [°F]	Диэлектрическая проницаемость. Параметр 2.5.3 GAS EPS.R
-60 – -50	-76 – -58	1.00
-49 – -25	57 – -13	1.01
-24 – -10	-12 – 14	1.02
-9 – 0	15 – 32	1.03
1 – 8	33 – 46	1.04
9 – 15	47 – 59	1.05
16 – 21	60 – 70	1.06
22 – 26	71 – 79	1.07
27 – 31	80 – 88	1.08
32 – 35	89 – 95	1.09
36 – 39	96 – 102	1.10
40 – 42	103 – 108	1.11
43 – 45	109 – 113	1.12
46 – 48	114 – 118	1.13

R744 (CO₂)

Температурный диапазон:
-56 – 15 °C / -69 – 59 °F

Температура [°C]	Температура [°F]	Диэлектрическая проницаемость. Параметр 2.5.3 GAS EPS.R
-56.0 – -42.0	-69 – -43	1.01
-41.0 – -28.0	-42 – -18	1.02
-27.0 – -17.0	-17 – 2	1.03
-16.0 – -9.0	3 – 16	1.04
-8.0 – -3.0	17 – 27	1.05
-2.0 – 2	28 – 36	1.06
3 – 7	37 – 45	1.07
8 – 11	46 – 52	1.08
12 – 14	53 – 58	1.09
15	59	1.10

R134a

Температурный диапазон:
-60 – 50 °C / -76 – 122 °F

Температура [°C]	Температура [°F]	Диэлектрическая проницаемость. Параметр 2.5.3 GAS EPS.R
-60 – -42	-76 – -43	1.00
-41 – -18	-42 – 0	1.01
-17 – -4	1 – 25	1.02
-3 – 5	26 – 41	1.03
6 – 13	42 – 56	1.04
14 – 20	57 – 68	1.05
21 – 25	69 – 77	1.06
26 – 30	78 – 86	1.07
31 – 34	87 – 94	1.08
35 – 38	95 – 100	1.09
39 – 42	101 – 108	1.10
43 – 45	109 – 113	1.11
46 – 48	114 – 119	1.12
49 – 50	120 – 122	1.13

Диэлектрическая проницаемость насыщенного пара (величина, принятая по умолчанию: 1,006)

R410A

Температурный диапазон:
-65 – 15 °C / -85 – 59 °F

Температура [°C]	Температура [°F]	Диэлектрическая проницаемость. Параметр 2.5.3 GAS EPS.R
-65 – -47	-85 – -52	1.01
-46 – -35	-51 – -31	1.02
-34 – -26	-30 – -14	1.03
-25 – -19	-13 – -2	1.04
-18 – -13	-1 – 9	1.05
-12 – -8	10 – 18	1.06
-7 – -4	19 – 25	1.07
-3 – 0	26 – 32	1.08
1 – 4	33 – 40	1.09
5 – 7	41 – 45	1.10
8 – 10	46 – 50	1.11
11 – 12	51 – 54	1.12
13 – 15	55 – 59	1.13

R507

Температурный диапазон:
-60 – 15 °C / -76 – 59 °F

Температура [°C]	Температура [°F]	Dielectric constant of refrigerant gas Parameter 2.5.3 GAS EPS.R
-60 – -48	-76 – -54	1.01
-47 – -36	-53 – -32	1.02
-35 – -28	-31 – -18	1.03
-27 – -21	-17 – -6	1.04
-20 – -15	-17 – -5	1.05
-14 – -10	-4 – 14	1.06
-9 – -6	13 – 22	1.07
-5 – -2	23 – 29	1.08
-1 – 2	30 – 36	1.09
3 – 5	37 – 41	1.10
6 – 8	42 – 47	1.11
9 – 11	48 – 52	1.12
12 – 13	53 – 56	1.13
14 – 15	57 – 59	1.14

R404A

Температурный диапазон:
-60 – 15 °C / -76 – 59 °F

Температура [°C]	Температура [°F]	Диэлектрическая проницаемость. Параметр 2.5.3 GAS EPS.R
-60 – -47	-76 – -52	1.01
-46 – -35	-51 – -31	1.02
-34 – -26	-30 – -14	1.03
-25 – -19	-13 – -2	1.04
-18 – -14	-1 – 7	1.05
-13 – -9	8 – 16	1.06
-8 – -4	17 – 25	1.07
-3 – 0	26 – 32	1.08
1 – 3	33 – 38	1.09
4 – 6	39 – 43	1.10
7 – 9	44 – 49	1.11
10 – 12	50 – 54	1.12
13 – 15	55 – 59	1.13

Как изменить язык вывода информации на экран (по умолчанию задан английский язык)

Начальное меню

AKS 4100
Дистанция
5000 mm

• Нажмите

AKS 4100
1.0.0
БЫСТРАЯ НАСТРОЙКА

• Нажмите

AKS 4100
2.0.0
Супервизор

• Нажмите

AKS 4100
2.0.0

Enter password:

AKS 4100
2.1.0
Информация

• Нажмите 6 раз

AKS 4100
2.7.0
Изображение

• Нажмите

AKS 4100
2.7.1
LANGUAGE

• Нажмите

AKS 4100
Язык
Русский

• Нажмите или для выбора языка
Нажмите для подтверждения

AKS 4100
2.7.1
Язык

• Нажмите 3 раза

AKS 4100
1.0.0
Сохранить НЕТ

• Нажмите или для выбора
Сохранить НЕТ или Сохранить ДА.
Нажмите для подтверждения

AKS 4100
Дистанция
5000 mm

Изменение языка закончено.

Возврат к заводским настройкам

- Войдите в меню **Супервизор** (см. стр. 7).
- Выберите параметр 2.9.4 завод.настр.
- Выберите завод.настр. ДА
- Нажмите 3 раза

Возврат к заводским настройкам закончен.

