

Fan Replacement

iC2-Micro Frequency Converters

1 Overview

1.1 Description

This installation guide explains how to replace the cooling fan for iC2-Micro Frequency Converters.

1.2 Items Supplied

Use these instructions with the following items.

Table 1: Items Supplied

Code number	Item description
132G0215	Cooling fan, MA02c
132G0216	Cooling fan, MA01a
132G0217	Cooling fan, MA02a
132G0218	Cooling fan, MA03a
132G0219	Cooling fan, MA04a
132G0220	Cooling fan, MA05a

1.3 Safety Information

Only qualified personnel are allowed to replace the cooling fan described in this installation guide.

For important information about safety precautions for installation, refer to the drive's operating guide.

⚠ W A R N I N G ⚠

DISCHARGE TIME

The drive contains DC-link capacitors, which can remain charged even when the drive is not powered. High voltage can be present even when the warning indicator lights are off.

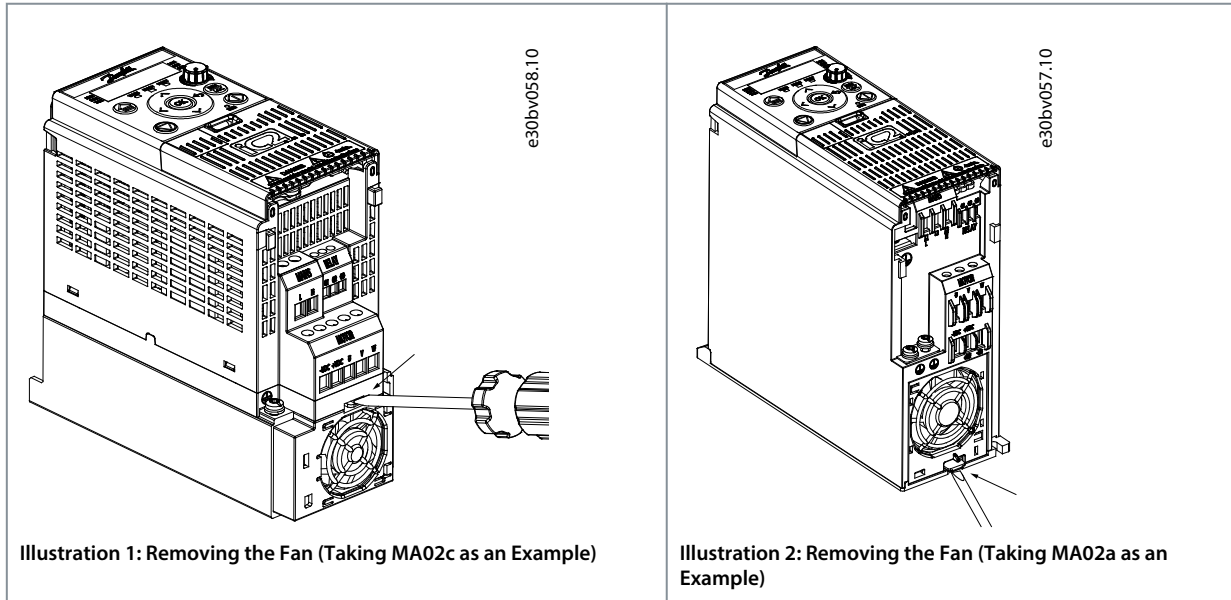
- Stop the motor, disconnect AC mains and permanent magnet type motors, and remove DC-link supplies, including battery back-ups, UPS, and DC-link connections to other drives.
- Wait for the capacitors to discharge fully and measure it before performing any service or repair work.
- The minimum waiting time is 4 minutes for MA02c and MA01a–MA03a drives, and 15 minutes for MA04a–MA05a drives.

2 Installation

2.1 Replacing the Cooling Fan

Procedure

1. Use a flat-edged screwdriver to release the retaining lever.



2. Unplug the fan cable.

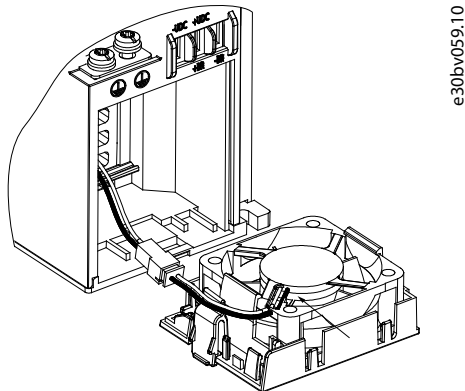


Illustration 3: Fan Cable Plug (Plug Location Depends on Fan Type)

3. Connect the new fan cable and click the new fan into place.

Danfoss A/S
 Ulsnaes 1
 DK-6300 Graasten
drives.danfoss.com

Danfoss can accept no responsibility for possible errors in catalogs, brochures, and other printed material. Danfoss reserves the right to alter its products without notice. This also applies to products already on order provided that such alterations can be made without subsequential changes being necessary in specifications already agreed. All trademarks in this material are property of the respective companies. Danfoss and the Danfoss logotype are trademarks of Danfoss A/S. All rights reserved.

M0035301

