

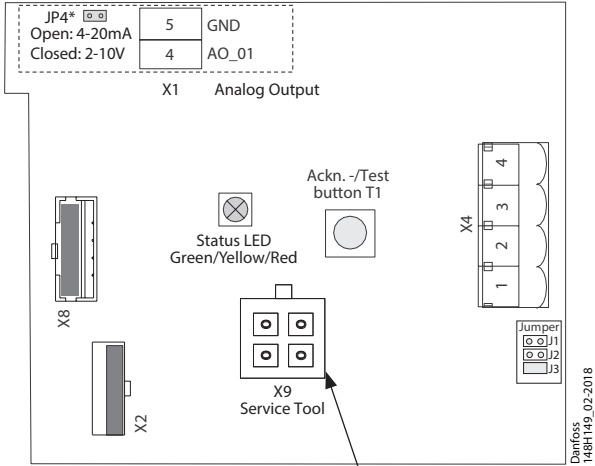
Installation Guide

Gas detection PC Tool for configuration of Basic, Premium, Heavy Duty and Controller Expansion modules

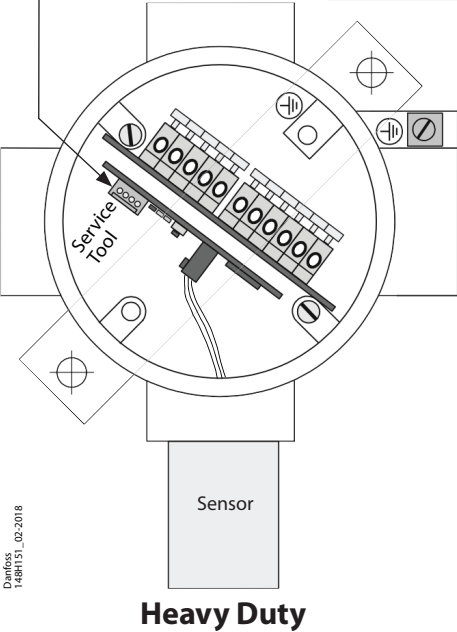
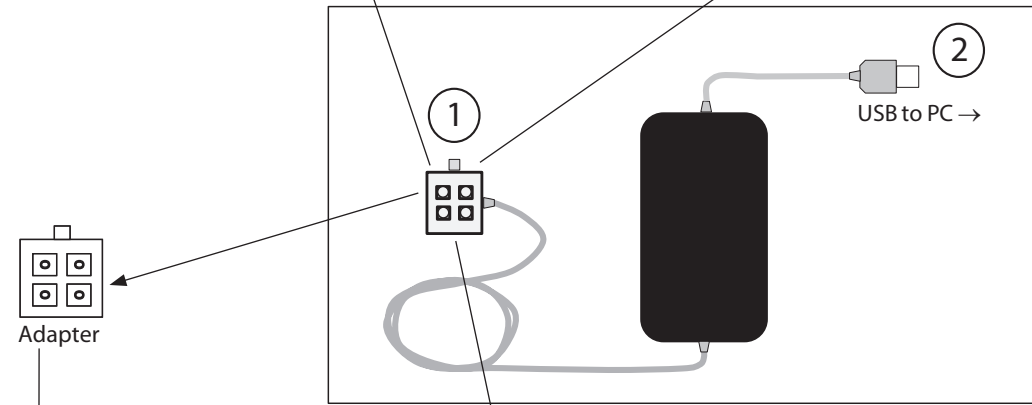
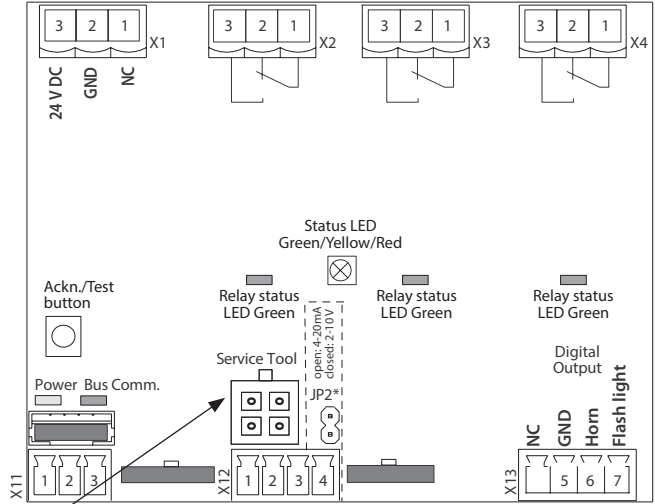
148R9640

148R9640

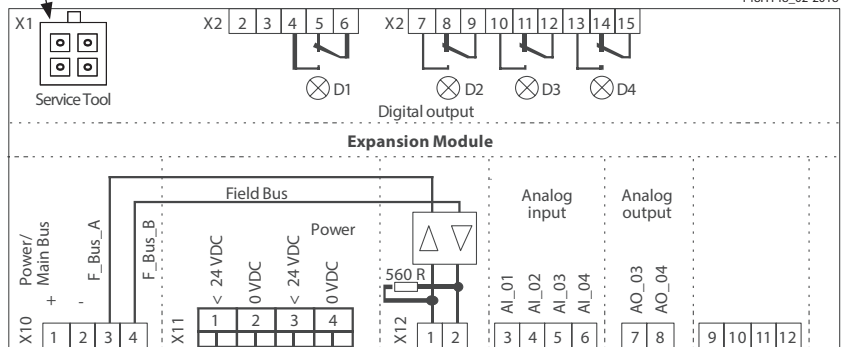
Basic



Premium



Heavy Duty



Controller expansion module

1. Plug-in Service tool plug
2. Plug-in USB to Computer
3. Allow Software installation (see section Installation)

ENGLISH

Software features:

- Addressing of the Basic, Premium and Heavy Duty devices
- Calibration of the Basic, Premium and Heavy Duty devices
- Configuration of application parameters of the Basic, Premium and Heavy Duty devices
- Monitoring of all measuring values at a glance, live
- Printing of calibration report

Installation:

Connect to your PC via the USB cable on the PC tool. Once connected, it will automatically ask you to start the installation of the driver for the USB-RS485 adapter.

A virtual COM port will be generated and this new port number is required later for configuring the PCTool Software.

The PCTool is approved for the following Windows versions: WINDOWS 7, 8 & 10.

For connection to the GD controller unit, the PC tool includes a modular connector adapter.

To access the PC tool user guide, please go to further documentation.

Further documentation:

