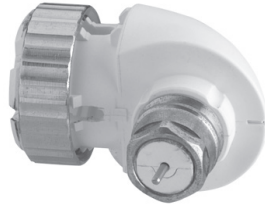


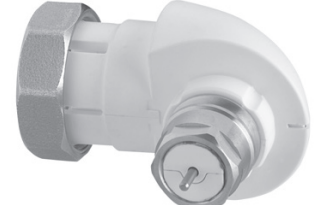
Datasheet

Adapters for thermostatic sensors

Application



Angle adapter
013G1350



Angle adapter
013G1360

Angle adapter

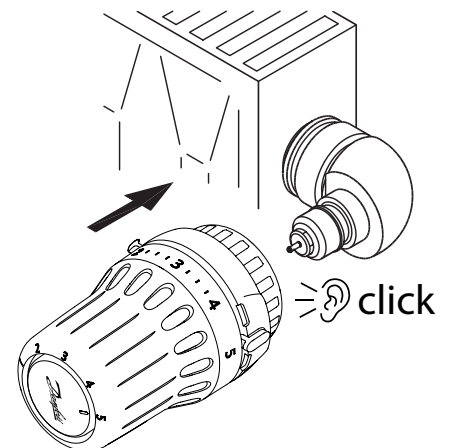
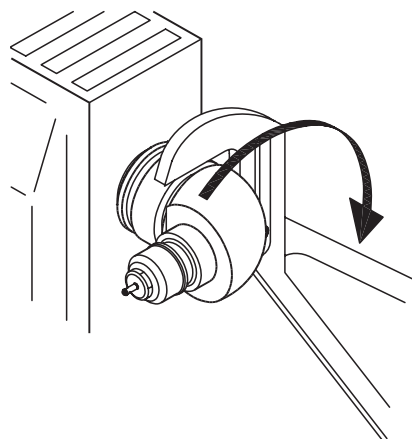
Danfoss angle adapters are used in situations like

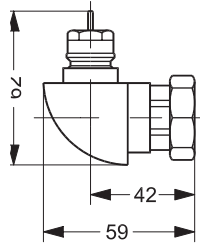
- not adequate space for normal mounting
- angle mounting enables easier operation of the sensor

Danfoss angle adapters are available in two versions:

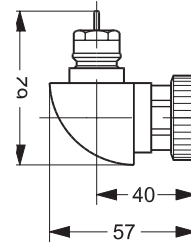
- with pressure connection for the radiator valve and snap-lock for Danfoss thermostatic sensors in RA-series.
- **Code no. 013G1350**
- with M30 x 1.5 connection for the radiator valve and snap-lock for Danfoss thermostatic sensors in RA-series.
- **Code no. 013G1360**

Mounting



Dimensions

*Angle adapter
013G1360
for M30 x 1.5 connection*



*Angle adapter
013G1350
for Danfoss RA sensors*

Danfoss A/S

Climate Solutions • danfoss.com • +45 7488 2222

Any information, including, but not limited to information on selection of product, its application or use, product design, weight, dimensions, capacity or any other technical data in product manuals, catalogues descriptions, advertisements, etc. and whether made available in writing, orally, electronically, online or via download, shall be considered informative, and is only binding if and to the extent, explicit reference is made in a quotation or order confirmation. Danfoss cannot accept any responsibility for possible errors in catalogues, brochures, videos and other material. Danfoss reserves the right to alter its products without notice. This also applies to products ordered but not delivered provided that such alterations can be made without changes to form, fit or function of the product.

All trademarks in this material are property of Danfoss A/S or Danfoss group companies. Danfoss and the Danfoss logo are trademarks of Danfoss A/S. All rights reserved.