



Valve Assembly



www.esbe.eu



SERIES ARD100/ARD200



NO.1 IN HYDRONIC SYSTEM CONTROL

Series ARD100
Series ARD200

CE

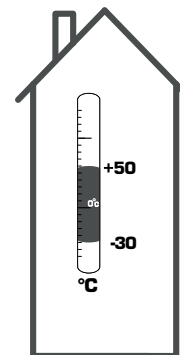
LVD 2006/95/EC valid until April 19th 2016

LVD 2014/35/EU valid from April 20th 2016

EMC 2004/108/EC valid until April 19th 2016

EMC 2014/30/EU valid from April 20th 2016

RoHS 2011/65/EU



Series ARD100

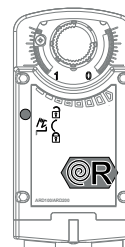
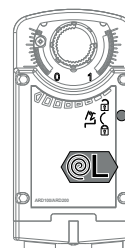
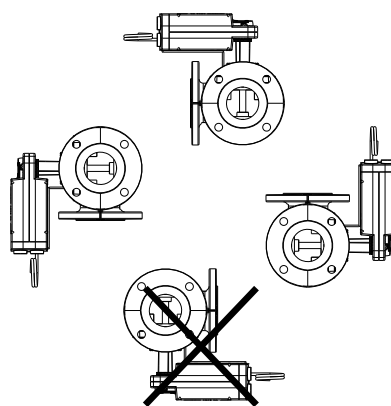
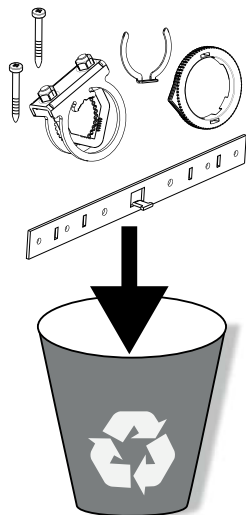
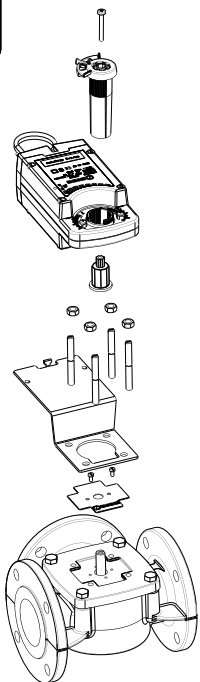


Series ARD200



Series 3F, 4F

Mtrl.nr: 9814 09 62 • Ritn.nr 8473 vers. A • Rev 1512



R/CW



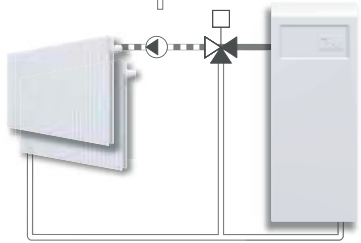
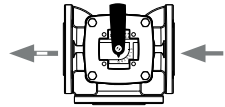
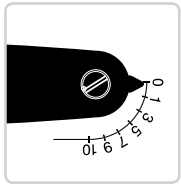
L/CCW



Valve settings

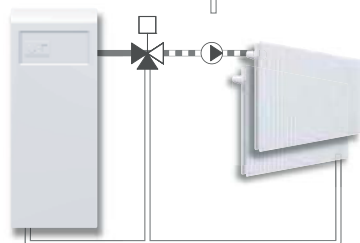
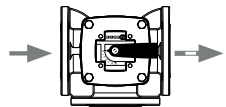
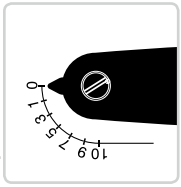
V 1A

R/CW



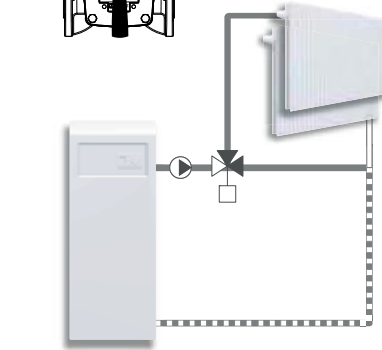
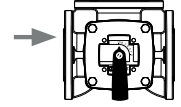
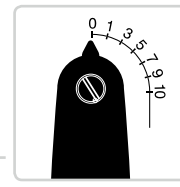
V 1B

L/CCW



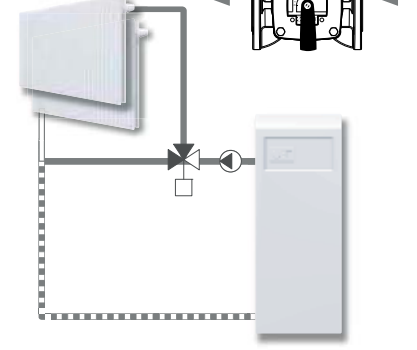
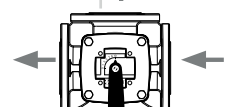
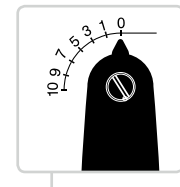
V 2A

R/CW



V 2B

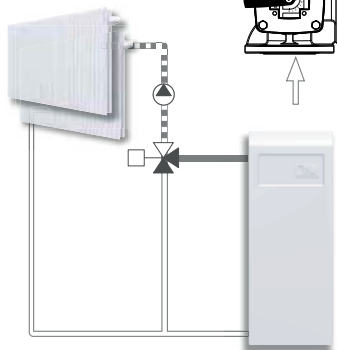
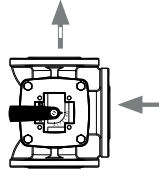
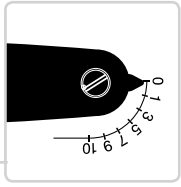
L/CCW



Valve settings

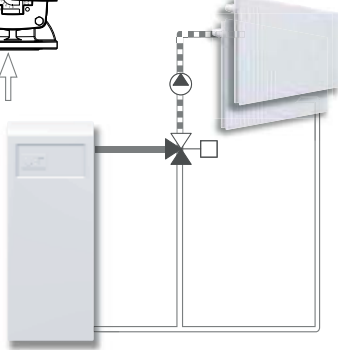
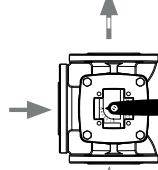
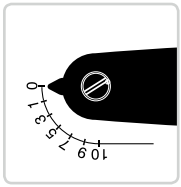
V 3A

R/CW



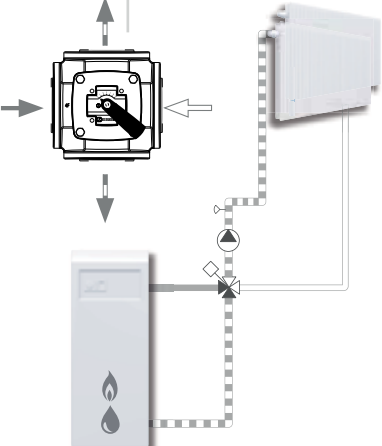
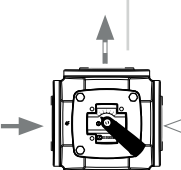
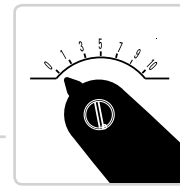
V 3B

L/CCW



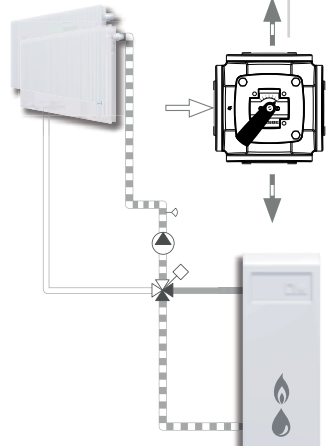
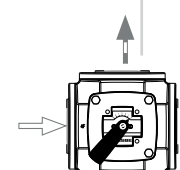
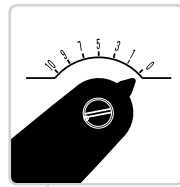
V 4A

R/CW



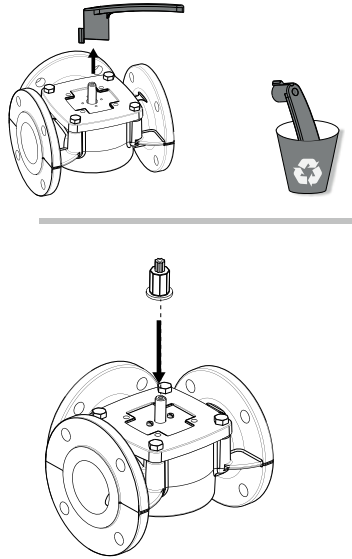
V 4B

L/CCW

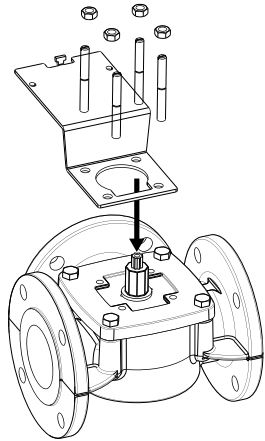


Valve Assembly

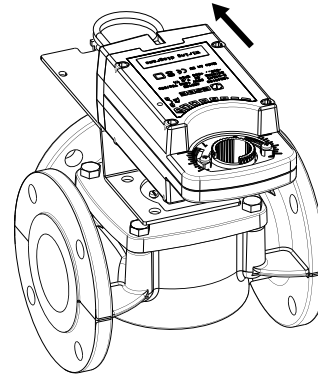
V 5



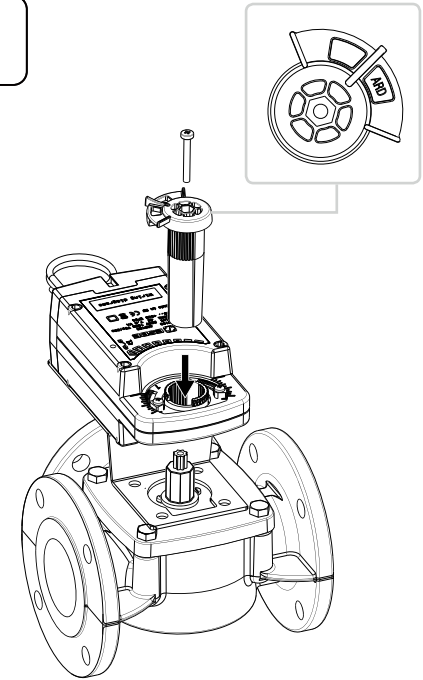
V 6



V 7

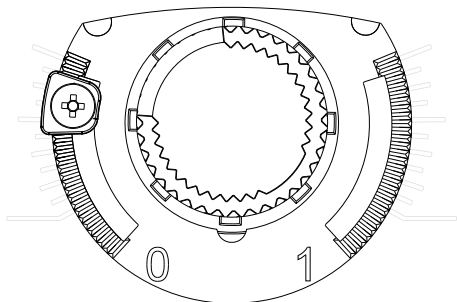
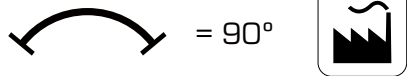


V 8



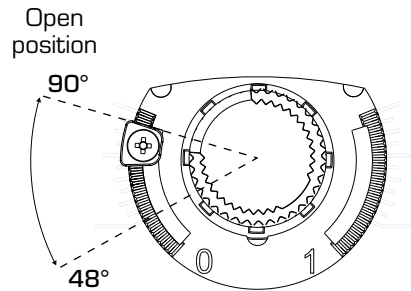
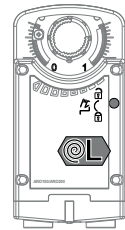
Actuator Settings Valve Assembly

V 9A

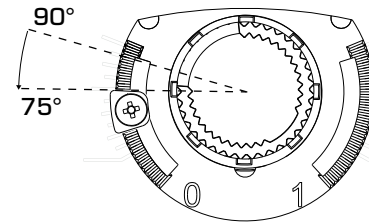


V 9B

Limiting working range • Clockwise working direction (R/CW)



Exampel R/CW working range 0°- 75°



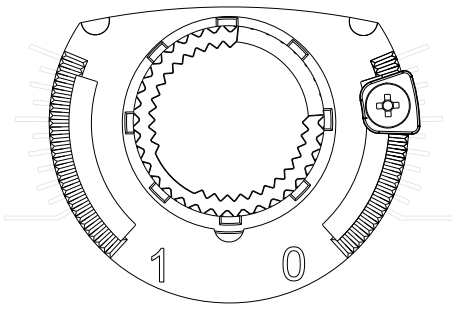
i

ARD169/
ARD269
Dip Switch 4



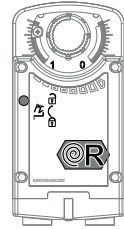
V
9C

Limiting working range • Counter clockwise working direction (L/CCW)

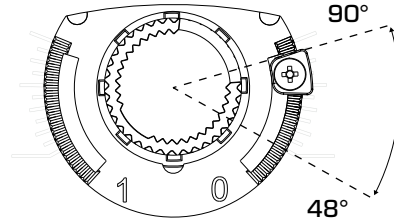


Max working range
0° - 90°

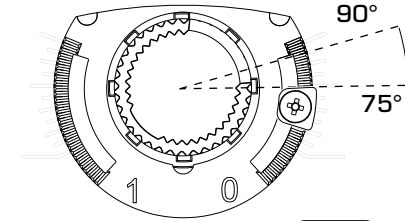
Min working range
0° - 48°



Open
position



Exempel L/CCW working range 0° - 75°



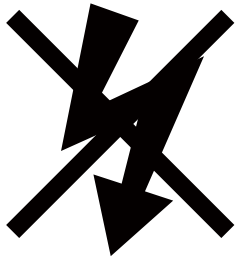
i

ARD169/
ARD269
Dip Switch 4

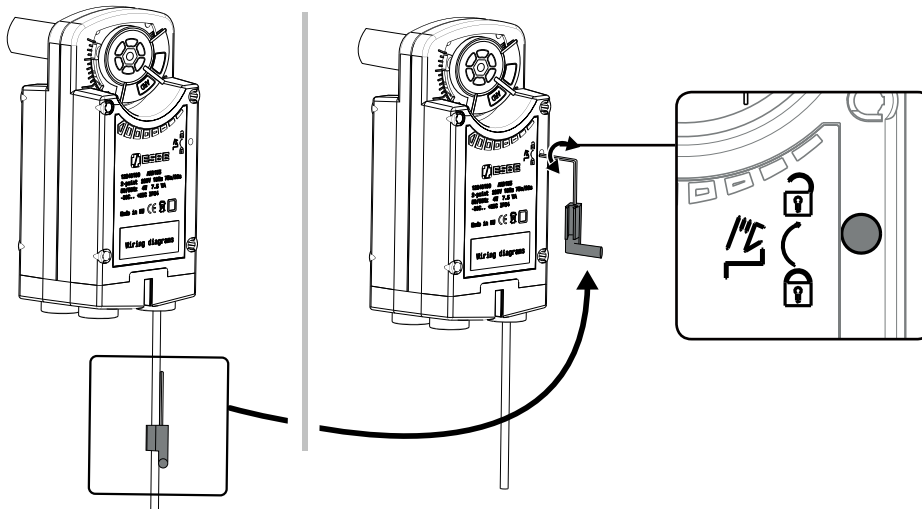


Manual operation

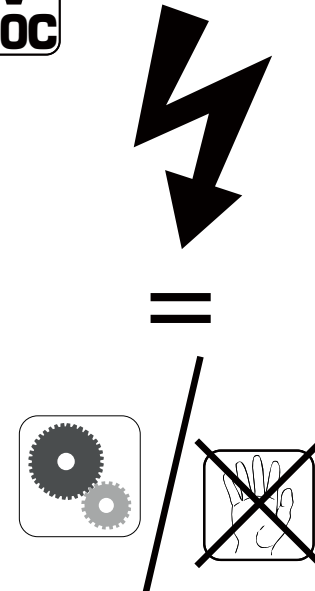
V
10A



V
10B



V
10C



V
11



i

ARD100/ARD200
Electrical
Settings

