

# Installation guide

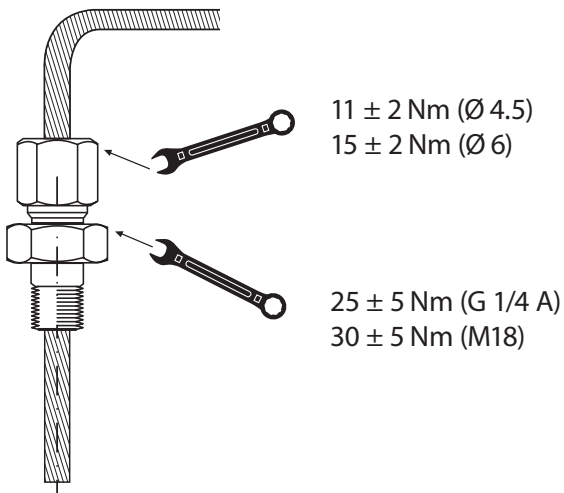
## Mounting instruction for MBT 5111 and MBT 5114



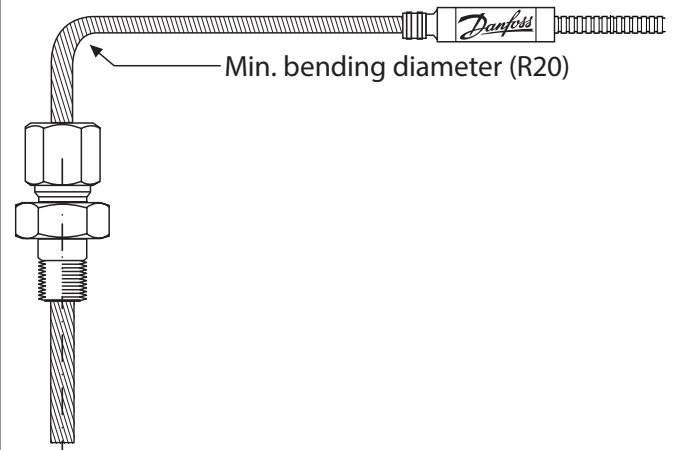
087R0011

087R0011

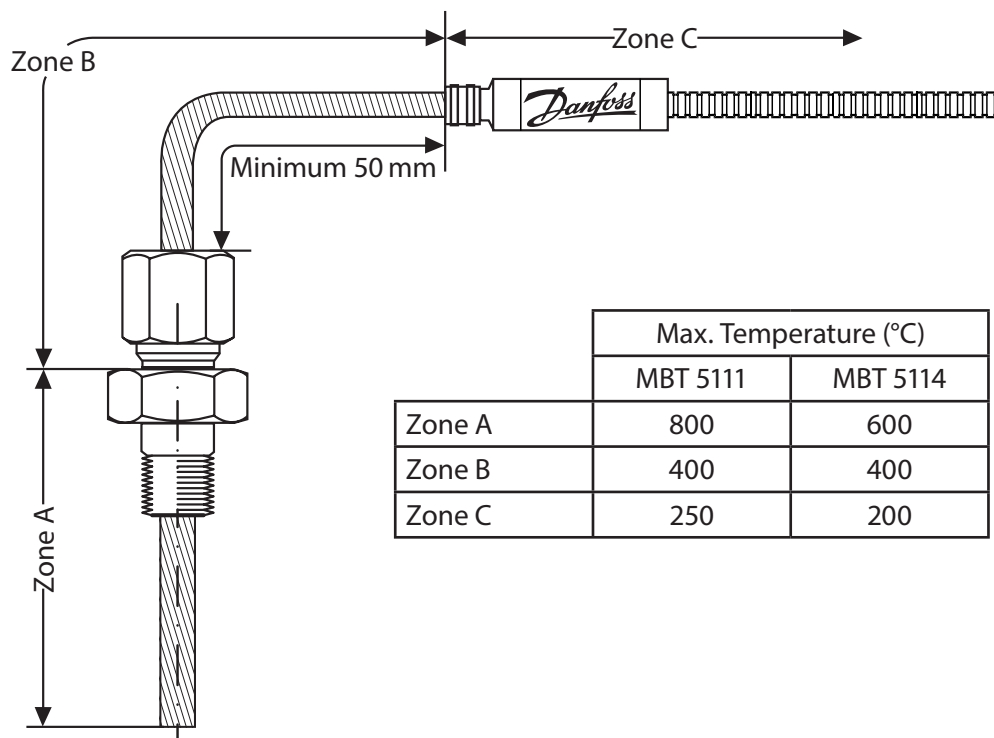
### Tightening torque



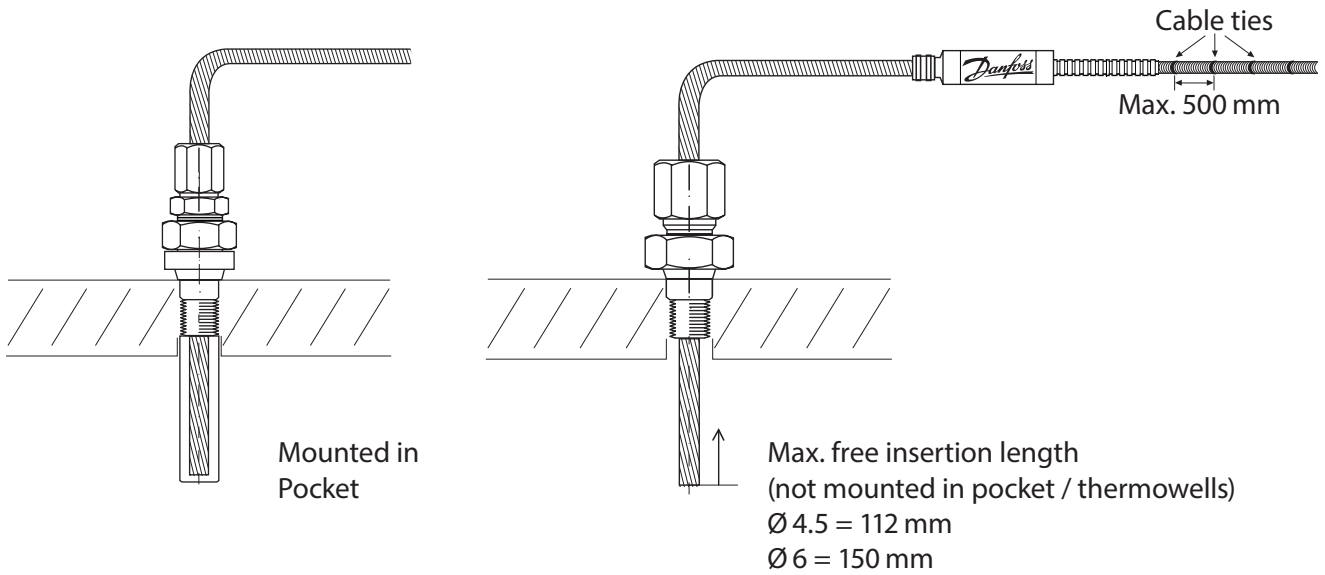
### Bending instruction



### Temperature zones



**Mounting thread version**



**Mounting clamp version**

