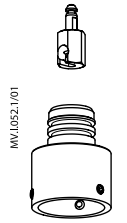


Installation Guide

Adapter AMV(E) 335, 435 / VRB, VRG, VF, VL (old valves); AB-QM (DN 40-100)

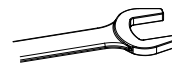


MV.M.029.1/01

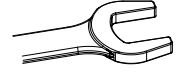
065Z0313



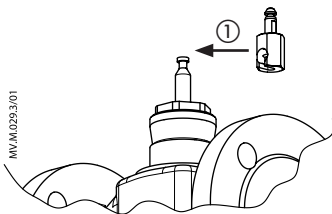
2.5 mm



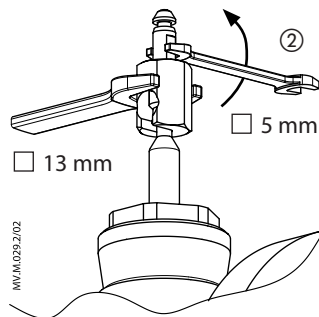
5 mm



13 mm

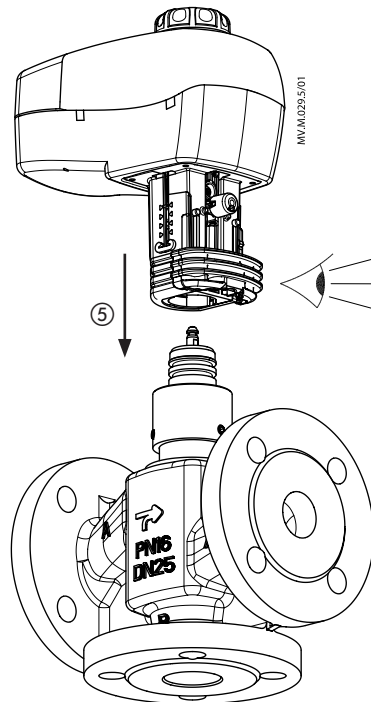


MV.M.029.3/01

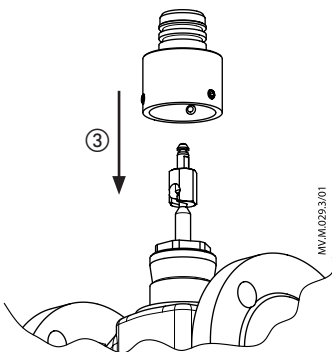
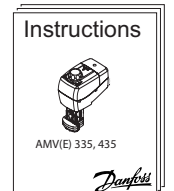


13 mm

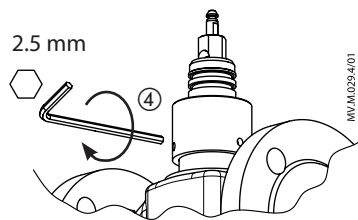
MV.M.029.2/02



MV.M.029.5/01



MV.M.029.3/01



2.5 mm

MV.M.029.4/01

