

ENGINEERING
TOMORROW

Danfoss

Danfoss Waltech tube fitting systems

Danfoss Waltech® tube fitting systems

General overview

Guardian
Seal Plating
Technology -
1000+
hours resistance
to red corrosion



General information	A
Technical information	B
Assembly instructions	C
Tube connecting parts	D
Male studs, connecting studs, bulkhead studs, weldable studs	E
Adjustable studs	F
Check valves, shuttle valves, high-pressure ball valves	G
Reducer studs, flange studs, female studs, gauge couplings	H
37° flared flanges to SAE J518 / ISO6162	I
Blanking plugs, blanking ends, tube inserts, welding nipples, O-rings	J
Machines and tools	K

System components (tube connecting parts)



Chapter **D**

Blanking plugs / ends



Chapter **J**

Male fittings



Weld fittings

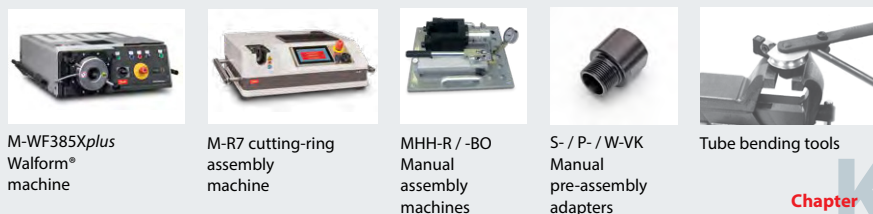


Tube connectors



Chapter **E**

Machines and tools



Chapter **K**

37° flared flanges



Chapter **I**

Adjustable fittings



RSWS ... R / M P-RSWV ... R / M RSWS ... R-WD / M-WD P-RSWV ... R-WD / M-WD RSTS ... R / M P-RSTV ... R / M RSTS ... R-WD / M-WD P-RSTV ... R-WD / M-WD

EWSD / P-EWS ... -SV P-EWVD / P-EWV ... -SV ETSV / P-ETS ... -SV P-ETVD / P-ETV ... -SV ELSD / P-ELS ... SV P-ELVD / P-ELV ... -SV EWSD 45 P-EWVD 45

EGESD ... R-WD / M-WD P-EGES ... R-WD-SV / M-WD-SV EGESD ... NPT DAS P-DAV SNV SNV .../... L SNV .../... S SNV .../... S

Chapter **F**

Shuttle valves



TWS P-TWV

Swivels



DGWES ... R-WD / M-WD P-DGWEV ... R-WD / M-WD DGWS P-DGWV

Check valves



Valve inserts RS P-RV RSV...R-WD / M-WD P-RVV...R-WD / M-WD RSZ ... R-WD / M-WD P-RVZ ... R-WD / M-WD

Ball valves



KH-R KHS P-KHV KH3KS ... -L/-T P-KH3KV ... -L/-T KH3KS-R ... -L/-T KH3S-R ... -L/-T

Chapter **G**

Flange studs



GFS P-GFV WFS P-WFV

Female fittings



GAS ... R / M P-GAV ... R / M

Reducer fittings



REDSDN / P-REDS ... -SV P-REDVDN / P-REDV ... -SV RED...WD/R

Gauge couplings



EMASD MAS ... R P-MAV ... R

Chapter **H**

Left hand side - information about complete fittings with nut and profile ring (Walpro®)

Designation of the fitting
Steel (black) / stainless steel (red)

Standards / details of the fittings and studs

Nominal pressure ratings of the steel version

Series

Designation and weight of the fitting

Article numbers of the Fittings Steel (black) / stainless steel (red)

Dimensions of the fitting and stud

Supplementary information

Straight male fittings

P-GEV ... M
P-GEV ... M-1.4571
Metric stud type B to DIN EN ISO 9974-3

Drawing + image of the fitting

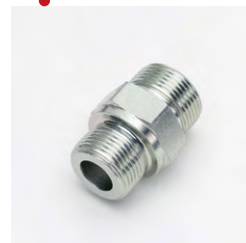
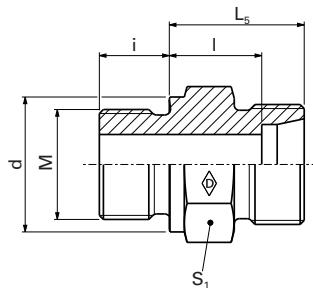
Series	PN bar (psi)	Tube outer diameter	Model	kg/100 pc.	M	L ₂	L ₅	l	i	d	S ₁	S ₂	Art. no.	Art. no.
LL	100 (1450)	4	S-GEV 4 LLM	1.8	M 8 x 1	19	13.5	9.5	8	12	12	10	WAL038302	WAL623050
		6	S-GEV 6 LLM	1.9	M 10 x 1	19.5	13.5	8	8	14	14	12	WAL038304	WAL623052
		8	S-GEV 8 LLM	2.3	M 10 x 1	20.5	14.5	9	8	14	14	14	WAL038305	WAL371486
		6	P-GEV 6 LM	2.5	M 10 x 1	23	15.5	8.5	8	14	14	14	WAL373087	WAL620023
		6	P-GEV 6 L/M 12 x 1.5	4.0	M 12 x 1.5	24.5	17	10	12	17	17	14	WAL373088	WAL623054
		8	P-GEV 8 LM	4.0	M 12 x 1.5	25	17	10	12	17	17	17	WAL373089	WAL620024
		8	P-GEV 8 L/M 18 x 1.5	6.8	M 18 x 1.5	26	18.5	11.5	12	23	24	17	WAL373090	WAL623056
		10	P-GEV 10 LM	4.7	M 14 x 1.5	26	18	11	12	19	19	19	WAL373091	WAL620025
		10	P-GEV 10 L/M 16 x 1.5	6.2	M 16 x 1.5	27	19.5	12.5	12	21	22	19	WAL602652	WAL623057
		10	P-GEV 10 L/M 18 x 1.5	7.6	M 18 x 1.5	27	19.5	12.5	12	22	24	10	WAL373092	WAL623059
L	400 (5801)	10	P-GEV 10 L/M 22 x 1.5	8.3	M 22 x 1.5	27.5	20	13	14	27	27	19	WAL373093	WAL623060
		12	P-GEV 12 LM	6.3	M 16 x 1.5	27	19.5	12.5	12	21	22	22	WAL373094	WAL620026
		12	P-GEV 12 L/M 18 x 1.5	7.8	M 18 x 1.5	27	19.5	12.5	12	23	24	22	WAL373095	WAL623062
		12	P-GEV 12 L/M 22 x 1.5	9.5	M 22 x 1.5	27.5	20	13	14	27	27	22	WAL373096	WAL623063
		15	P-GEV 15 LM	9.5	M 18 x 1.5	29	20.5	13.5	12	23	24	27	WAL373097	WAL620027
		15	P-GEV 15 L/M 22 x 1.5	11.5	M 22 x 1.5	29	21	14	14	27	27	27	WAL373098	WAL620816
		18	P-GEV 18 L/M 18 x 1.5	12.2	M 18 x 1.5	31	21.5	14	12	23	27	32	WAL373099	WAL623065
		18	P-GEV 18 LM	12.9	M 22 x 1.5	31	22	14.5	14	27	27	32	WAL373100	WAL620028
		22	P-GEV 22 LM	17.6	M 26 x 1.5	33	24	16.5	16	31	32	36	WAL373101	WAL620424
		28	P-GEV 28 LM	24.7	M 33 x 2	34	25	17.5	18	39	41	41	WAL373102	WAL620029
(3626)	250	35	P-GEV 35 LM	40.7	M 42 x 2	39	28	17.5	20	49	50	50	WAL373103	WAL620452
		42	P-GEV 42 LM	45.6	M 48 x 2	42	30	19	22	55	55	60	WAL373104	WAL620995
		6	P-GEV 6 SM	4.5	M 12 x 1.5	28	20	13	12	17	17	17	WAL373105	WAL620030
		8	P-GEV 8 SM	5.5	M 14 x 1.5	30	22	15	12	19	19	19	WAL373106	WAL620031
(9137)	630	10	P-GEV 10 SM	8.2	M 16 x 1.5	31	22.5	15	12	21	22	22	WAL373107	WAL620032
		12	P-GEV 12 SM	10.5	M 18 x 1.5	33	24.5	17	12	23	24	24	WAL373108	WAL620033
		14	P-GEV 14 SM	14.8	M 20 x 1.5	37	27	19	14	25	27	27	WAL373109	WAL621510
		16	P-GEV 16 SM	15.4	M 22 x 1.5	37	27	18.5	14	27	27	30	WAL373110	WAL620661
(5801)	400	20	P-GEV 20 SM	25.3	M 27 x 2	42	31	20.5	16	32	32	36	WAL373111	WAL620503
		35	P-GEV 35 SM	46.5	M 33 x 2	47	35	22	18	30	41	46	WAL373112	WAL620887

Right hand side - information about the studs

Designation of the stud
Steel (black) /
stainless steel (blue)



GES ... M
GES ... M-1.4571



E

Straight male studs

Drawing + image of the stud

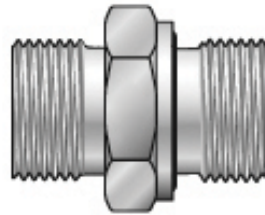
System nuts for supplementing the stud
(for technical data, see part D of this catalog)

Series	PN bar (psi)	Tube outer diameter	Model	kg/100 pc.	M	Art. no.	Stud Stainless steel GES ... -1.4571*	Walring W-R ... VI	Walform WF-M ... VI	Walform stainless steel WF-M ... VI-1.4571*	
LL	100 (1450)	4	GES 4 LL	0.9	M 8 x 1	WAL03789	WAL62051				
		6	GES 6 LL	1.1	M 10 x 1	WAL03791	WAL62053				
		8	GES 8 LL	1.2	M 10 x 1	WAL03792	WAL37485				
	L	400 (5801)	6	GES 6 LM	1.4	M 10 x 1	WAL03793	WAL02498	WAL624607	WAL625940	WAL625980
			6	GES 6 L/M 12 x 1.5	2.6	M 12 x 1.5	WAL03794	WAL62055	WAL624607	WAL625940	WAL625980
			8	GES 8 LM	2.3	M 12 x 1.5	WAL03795	WAL02499	WAL624608	WAL625941	WAL625981
			8	GES 8 L/M 18 x 1.5	5.1	M 18 x 1.5	WAL02482	WAL37571	WAL624608	WAL625941	WAL625981
			10	GES 10 LM	2.9	M 14 x 1.5	WAL03796	WAL02500	WAL624609	WAL625942	WAL625982
			10	GES 10 L/M 16 x 1.5	4.0	M 16 x 1.5	WAL06390	WAL623058	WAL624609	WAL625942	WAL625982
			10	GES 10 L/M 18 x 1.5	5.0	M 18 x 1.5	WAL02587	WAL372883	WAL624609	WAL625942	WAL625982
10			GES 10 L/M 22 x 1.5	7.6	M 22 x 1.5	WAL028692	WAL623061	WAL624609	WAL625942	WAL625982	
12			GES 12 LM	4.0	M 16 x 1.5	WAL037597	WAL025501	WAL624610	WAL625943	WAL625983	
12			GES 12 L/M 18 x 1.5	4.7	M 18 x 1.5	WAL037598	WAL602783	WAL624610	WAL625943	WAL625983	
L	400 (5801)	12	GES 12 L/M 22 x 1.5	7.3	M 22 x 1.5	WAL028695	WAL623064	WAL624610	WAL625943	WAL625983	
		15	GES 15 LM	5.2	M 18 x 1.5	WAL037599	WAL025502	WAL624611	WAL625944	WAL625984	
		15	GES 15 L/M 22 x 1.5	7.4	M 22 x 1.5	WAL028117	WAL604968	WAL624611	WAL625944	WAL625984	
		18	GES 18 LM 18 x 1.5	6.4	M 18 x 1.5	WAL029643	WAL623066	WAL624612	WAL625945	WAL625985	
		18	GES 18 LM	7.6	M 22 x 1.5	WAL037600	WAL025503	WAL624612	WAL625945	WAL625985	
		22	GES 22 LM	10.1	M 26 x 1.5	WAL037601	WAL604218	WAL624613	WAL625946	WAL625986	
		250 (3626)	28	GES 28 LM	16.7	M 33 x 2	WAL037602	WAL025505	WAL624614	WAL625947	WAL625987
			35	GES 35 LM	28.2	M 42 x 2	WAL037603	WAL025506	WAL624615	WAL625948	WAL625988
			42	GES 42 LM	35.8	M 48 x 2	WAL037604	WAL617435	WAL624616	WAL625949	WAL625989
			6	GES 6 SM	3.0	M 12 x 1.5	WAL037605	WAL028656	WAL624617	WAL625950	WAL625990
630 (9137)	8	GES 8 SM	4.3	M 14 x 1.5	WAL037606	WAL025508	WAL624618	WAL625951	WAL625991		
	10	GES 10 SM	5.5	M 16 x 1.5	WAL037607	WAL025509	WAL624619	WAL625952	WAL625992		
	12	GES 12 SM	7.2	M 18 x 1.5	WAL037608	WAL025510	WAL624620	WAL625953	WAL625993		
	14	GES 14 SM	9.4	M 20 x 1.5	WAL037609	WAL025511					
S	400 (5801)	16	GES 16 SM	9.8	M 22 x 1.5	WAL037610	WAL025512	WAL624621	WAL625954	WAL625994	
		20	GES 20 SM	15.3	M 27 x 2	WAL037611	WAL025513	WAL624622	WAL625955	WAL625995	
		25	GES 25 SM	26.0	M 33 x 2	WAL037612	WAL025514	WAL624623	WAL625956	WAL625996	

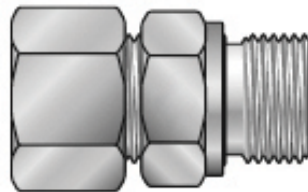
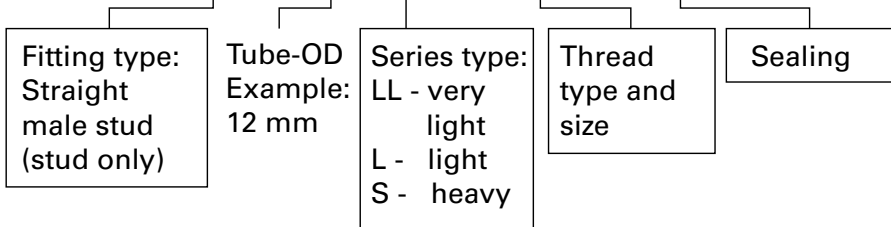
Article numbers of supplementary
Walring®, Walform,
Walform stainless steel
system nuts

Article numbers of the
studs Steel (black) /
stainless steel (red)

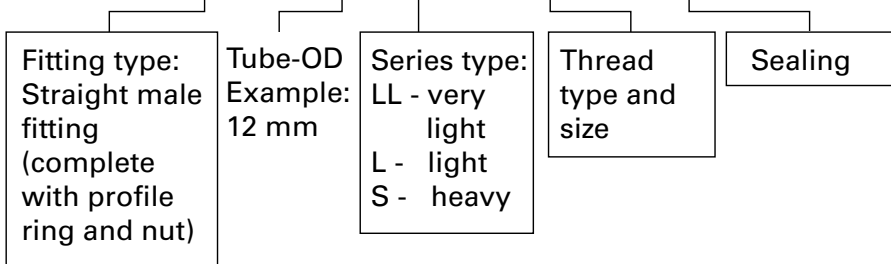
Designation and weight
of the stud



GES 12 L / R 1/2 -WD



P-GEV 12 L / R 1/2 -WD



Customized special solutions

Danfoss Waltech offers customers an extensive portfolio of customized special fittings, regardless of the quantity involved. We are able to produce any quantity, from very small batches to regular bulk shipments, at competitive prices thanks to our flexible machinery and the option of minimum purchase quantities.

We offer a wide range of different options, from jump sizes and various bore types (throttle bores) to special fitting and thread lengths as well as customized standard fittings. All of these options are available in both steel and stainless steel (1.4571). Alternative sealing materials are also available on request.

The Danfoss Waltech special steel fittings also feature the proven Danfoss Guardian Seal finish. In addition to reliable and reproducible assembly performance, they thus offer exceptionally high corrosion protection, including more than 1,000 hours against red rust.

We are happy to advise you on the design of special fittings to help you optimize your application and to analyze the technical implementation options in collaboration with you.

The advantages of special fittings:

- Reduction in the number of required components
- Elimination of fitting chains and leakage paths
- Space savings
- Improved assembly options
- Elimination of leakage paths and thus reduction in follow-up costs
- Prevention of tube adjustments
- Flow reduction (throttling effect)
- Lower warehousing costs

Examples of special fittings

Different lengths



Jump sizes



Throttle bores



Additional special fittings



A

General information



Welcome to Waltech	3
Functional characteristics – Guardian Seal	5
Functional characteristics – Tube-fitting systems	6
Functional characteristics – Profile-ring tube fittings	9
Functional characteristics – Walring tube fittings	21
Functional characteristics – WalformPlus® reshaping system	25
Functional characteristics – WalformPlus-M reshaping system	30
Functional characteristics – WalformPlus-SR reshaping system	34
Functional characteristics – 37° flare fittings	38
Functional characteristics – 37° flared flanges	43
Functional characteristics – Danfoss Waltech ABF grease (anti-block grease)	45

A



Welcome to Waltech

Are you looking for the perfect fitting system?

When it comes to tube-fitting systems, reliable and leak-proof performance is crucial.

This depends on the quality of the tube fitting itself and on how well it performs as part of an assembly – for example, on the pressure resistance, load capacity and safety it delivers. Tube fittings require a high level of corrosion resistance (without compromising the performance of the assembly), and a user-friendly, replicable installation process that is easy to understand, even for untrained personnel.

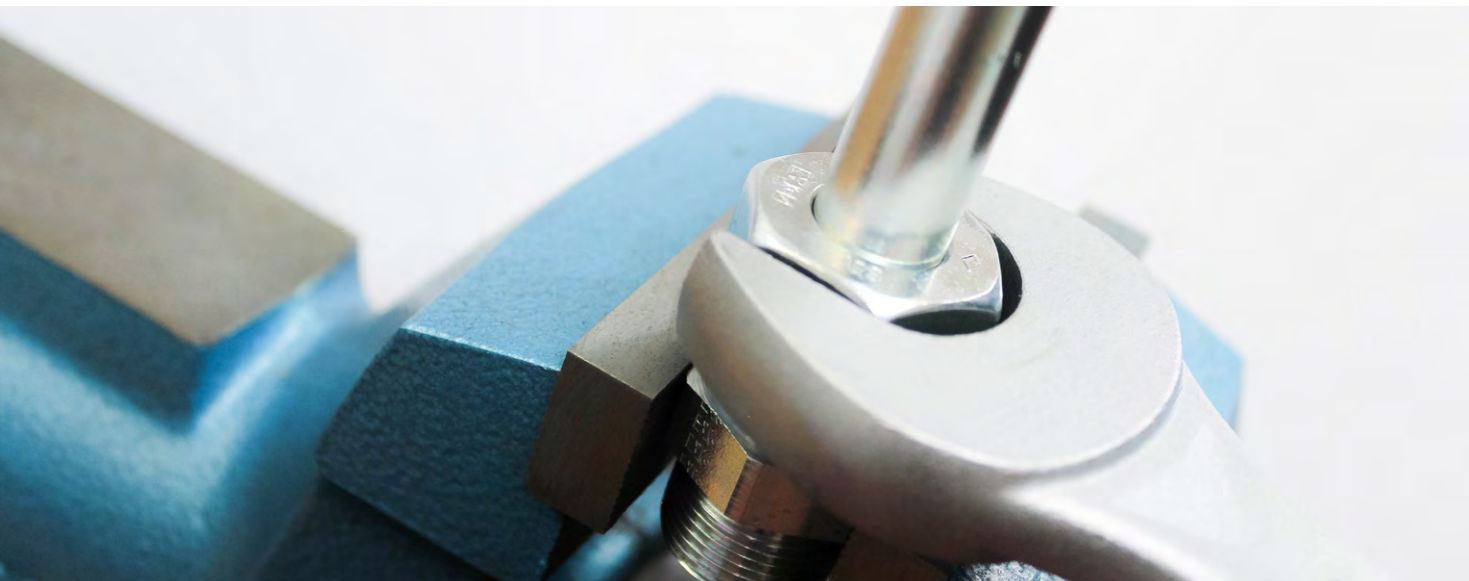
Ideally, you should also have access to a comprehensive tube-fitting portfolio from a single source, along with customer success stories and certifications that demonstrate reliability across a wide range of applications.

Why choose Waltech?

Simply put, our Waltech tube connection systems have more to offer. Our tube fittings provide outstanding performance thanks to their leak-proof design and high bending and pressure-impulse strength. We offer complete solutions for all your tube-fitting needs with various connection options. And the manual assembly of our fittings is easy, safe and replicable thanks to the reduced number of components, the consistent assembly torque and the controlled final assembly of the cutting rings.

Our innovative machine technology for cutting-ring assembly and tube reshaping ensures excellent performance, reduces malfunctions and avoids human error while also providing for faster and easier installation. Our unique Guardian Seal coating also improves safety by reducing variance in the installation process.

What's more, our products also come with excellent customer references, multiple approvals from certification bodies and OEM organizations, and an extensive library of successful application examples. Thanks to our large rental portfolio and our in-house machine development and production capabilities, we are able to tackle any tube-fitting challenge.



The Waltech trilogy

Our main product is the **Walpro cutting-ring system**, which enables the manual assembly of tube fittings. But the Waltech capabilities go far beyond simple cutting-ring systems, in line with our commitment to deliver superior performance and leak-proof operation.



We have thus expanded our core portfolio to meet the demands of various applications:

- Our **Walring cutting-ring system** with additional soft seal
- Our **WalformPlus tube-fitting system** (based on the Walform machine) is designed to support even the most demanding high-pressure, high-vibration applications where safety is critical



Key benefits

- Superior performance and leak-proof design
- Compatible with a wide range of application requirements
- Proven system reliability thanks to our end-to-end Waltech tube fittings
- The Guardian Seal coating ensures high corrosion resistance without compromising assembly strength
- A choice of system options to meet different requirements – from simple manual assembly to safety-critical applications
- Properties that make installation simple, fast and safe – including short tightening rotation, lower tightening torque, a unique pressure point to avoid excessive or insufficient tightening and an unlimited number of repeat installations without any loss of performance
- A comprehensive range of services – including machine rental and maintenance as well as staff training on site
- The combined strength of the Danfoss brand in terms of manufacturing quality, global presence, regulatory and OEM approvals and customer success stories



A

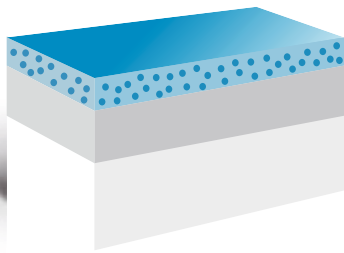
Guardian Seal coating

Added benefits in terms of performance, health and the environment

Guardian Seal is a unique zinc-based, electroplated finish, which not only provides excellent, durable corrosion protection, but also protects your health and the environment.

By means of a special process, the zinc layer is passivated to give it an open-pore structure. In the next step, organic micro-particles are incorporated into this structure using a dipping process that is matched to the chemical properties of the material. An optimized drying process causes the top layer to polymerize, so that the molecules on its surface become cross-linked.

This produces a long-lasting, highly corrosion-resistant finish that complies with the EN ISO 9227 standard while also being easy to install, safe, healthy and environmentally friendly.



Guardian Seal passivation / micro-impregnation

Zinc layer

Base metal

Key features:

- Corrosion protection: > 360 hours resistance to white rust / > 1,000 hours resistance to red rust
- Nickel-free
- Same torque values as chrome-3
- Premium silver finish
- Zinc base layer of 11-15 µm
- Resistant to standard hydraulic fluids



0 hours

720 hours

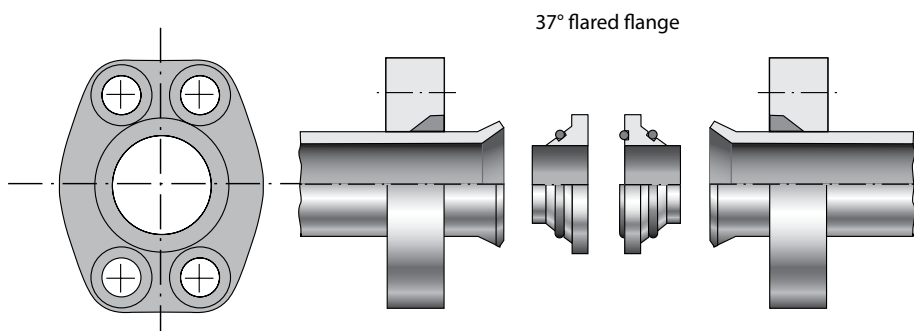
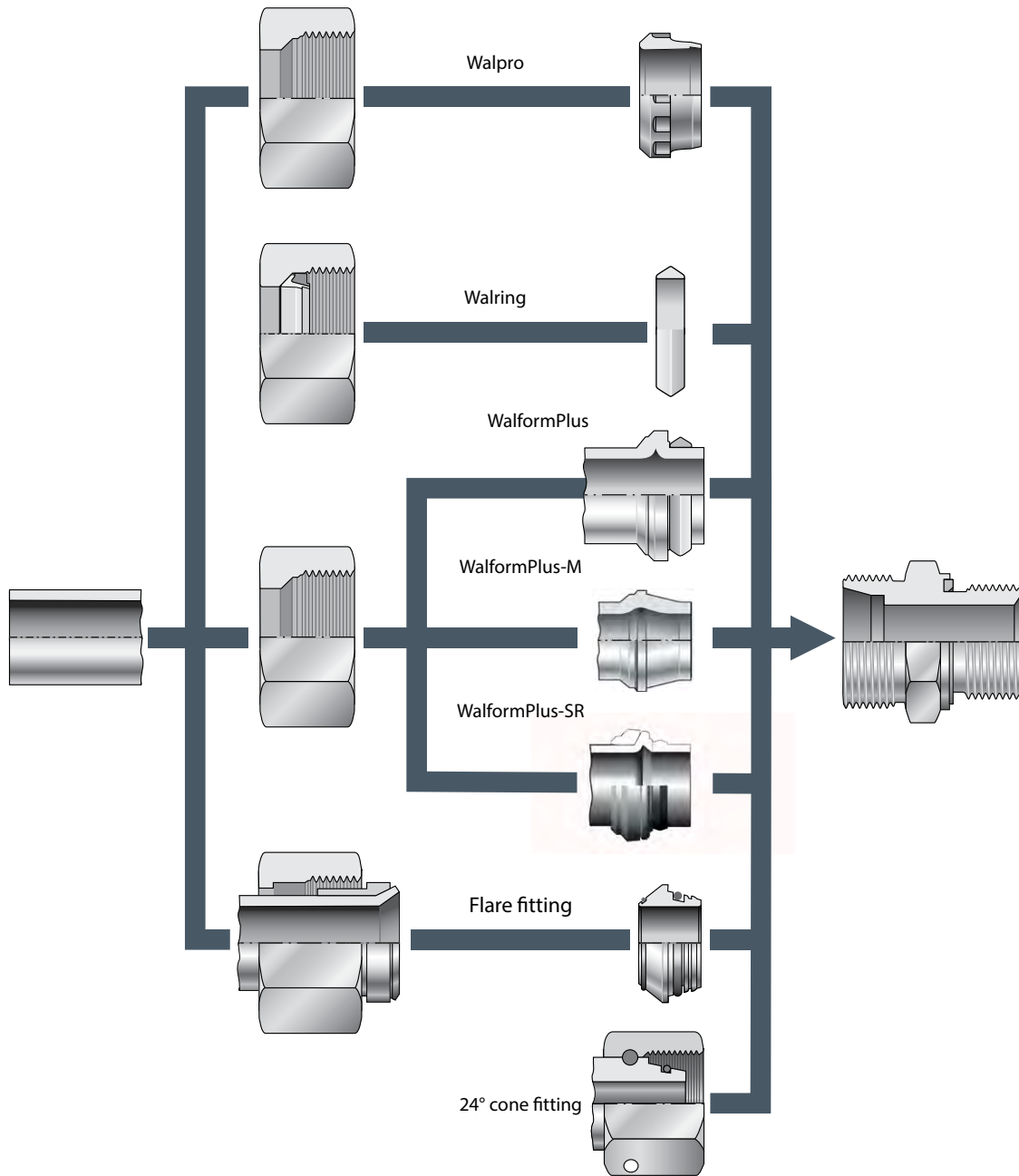
1,000 hours

Key benefits

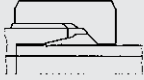
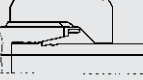
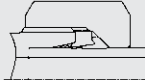
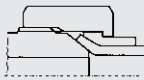
- Superior and durable corrosion protection
- Can be painted with commercially available coatings
- Superior resistance to red rust
- No risk of nickel dust during assembly and handling
- No risk of contact allergies
- Low assembly and disassembly torque to ensure safe connections and easy installation
- The waste water from the electroplating process requires less treatment

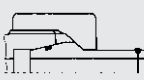
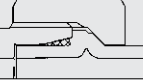
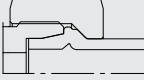
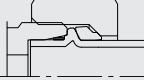
A cost-effective solution for every type of connection problem

A



A
System comparison

	 Z-R	 P-R	 Walring	 B
	Two-edge cutting ring	Profile ring Two-edge cutting ring	Walring Two-edge cutting ring + soft seal	Flare fitting with O-ring
Standard Parts to standard	DIN 2353 EN ISO 8434-1 All components	DIN 2353 EN ISO 8434-1 All components	DIN 2353 EN ISO 8434-1 Stud and nut	DIN 3949 All components
System characteristics	Combined sealing/supporting function	Combined sealing/supporting function	Separate sealing/supporting function	Separate sealing/supporting function
Number of components	3	3	3	4 (6 if O-rings are included)
Number of leakage paths Seal type	2 metal-to-metal	2 metal-to-metal	2 elastomer + metal-to-metal	2 elastomer
Tightening rotation*	360° (180° after pre-assembly)	360° (180° after pre-assembly) (30° controlled final assembly)	360° (60° after pre-assembly)	90° or 180°
Risk of assembly errors	High	Medium, low for controlled final assembly	Low	Low
Repair / servicing usually with	Z-R, P-R	Z-R, P-R	S-R + WD Z-R, P-R, Walring	BO often with Z-R, P-R = new nut

	 SN	 WFplus	 WFplus-M	 WFplus-SR
	Welding nipple	WalformPlus	WalformPlus-M	WalformPlus-SR
Standard Parts to standard	DIN 3865, Form A ISO 8434-4 All components	DIN 2353 EN ISO 8434-1 Stud and nut	DIN 2353 EN ISO 8434-1 Stud and nut	DIN 2353 EN ISO 8434-1 Stud and nut
System characteristics	Separate sealing/ supporting function	Separate sealing/ supporting function	Separate sealing/ supporting function	Separate sealing/ supporting function
Number of components	3 (4 if O-ring is included)	3	2	4
Number of leakage paths Sealing type	1 elastomer	1 elastomer + metal-to-metal	1 metal-to-metal seal	1 elastomer + metal-to-metal
Tightening rotation*	120°	Point of resistance	Point of resistance	Point of resistance
Risk of assembly errors	Medium	Very low	Very low	Very low
Repair / servicing usually with	SN WF-WD / Wfplus	WFplus, WF-WD, S-R + WD, SN, Z-R, P-R	WFplus-M, P-R	WFplus-SR, S-R + WD, P-R

*See also the manufacturer's instructions

Z-R = two-edge cutting ring

P-R = profile ring

S-R / Z-R + WD = cutting ring + soft seal

B = flare fitting

BO = flare fitting with O-ring

SN = welding nipple

WFplus = WalformPlus

WFplus-M = WalformPlus-M (with metal-to-metal seal)

WFplus-SR = WalformPlus-SR (with support ring)

The Danfoss Waltech service organization

The right partner in every situation

Danfoss's Waltech products offer high-quality service, especially when it comes to flexibility and tailor-made offers. Danfoss Waltech customers know that they can rely on our trusted team for advice and assistance, be it by phone or directly on site.



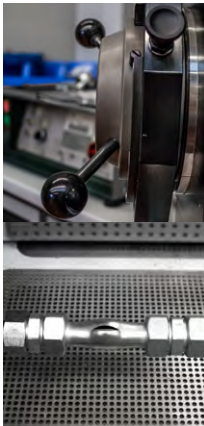
Danfoss Waltech service checks

- Qualified instructions for use
- Service checks for machines and tools
- Repair and replacement of machines



Danfoss Waltech trainings

- Product trainings and
- courses on how to assemble the various tube-fitting systems



Danfoss Waltech leasing

- Leasing offers for all common machine and tool types are available on request

Danfoss Waltech project consulting

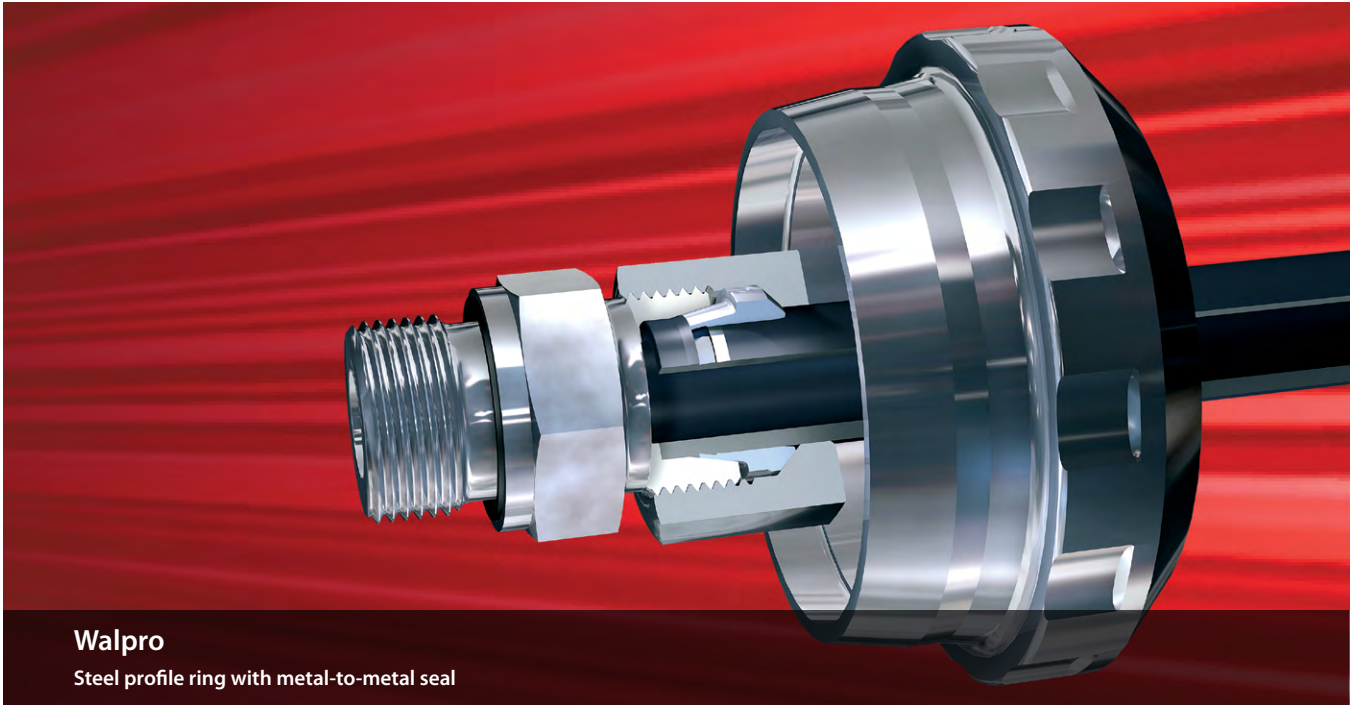
- Solutions for critical installation conditions
- Designs for applications with stringent safety requirements
- Answers to all questions concerning the selection and installation of tube assemblies
- Support with sample tube assemblies
- Comprehensive logistics services
- Comprehensive testing on our test stands



Danfoss Waltech – a global partner

Quality transcends national borders, which is why the Danfoss Waltech product innovations have successfully established themselves on the international market. Waltech tube fittings are sold all over Europe and beyond, and our global distribution network and regional warehouses ensure fast delivery anywhere.

A



Walpro

Steel profile ring with metal-to-metal seal

Functional characteristics: Profile-ring tube fittings

Thanks to their ideal shape, Walpro fittings provide a secure and leak-proof tube connection.

During installation, the two cutting edges of the Walpro ring cut into the tube to create a positive-locking connection. At the same time, the union nut taper will radially deform the contoured shoulder of the cutting ring in such a way that the tube will become tightly clamped to absorb bending loads.

For leak-proof radial sealing, the ring is wedged between the tube and the fitting stud.

The progressive increase in tightening torque at the end of the assembly process ensures a high degree of safety.

Walpro fittings can be removed and re-assembled as often as required.

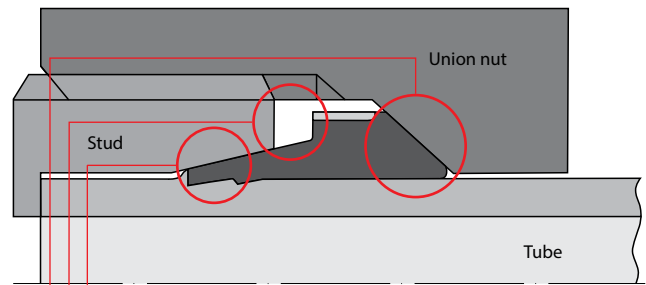
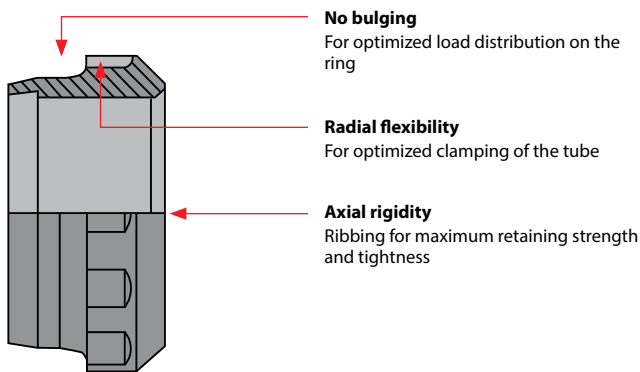
The specified performance of Walpro fittings can only be achieved if original Walpro parts are used and the assembly is carried out in accordance with the installation instructions.

Computer-optimized tube-connection technology

The Walpro tube-fitting system has been fully optimized to meet current and future market requirements. With the help of the latest calculation methods, we have been able to significantly improve performance and increase installation safety. The design is based on an axially rigid ring with a shoulder section that has been radially weakened by means of a contoured profile. We have also implemented a novel design for the cutting edges to achieve leak-proof sealing and eliminate subsequent penetration.

Clear advantages for users:

- Greater functional reliability
- Lower installation costs
- Lower reworking costs
- Lower operating costs



A

Optimized cutting edges

- Optimized cutting-edge angle
- Wedge-shaped cutting-edge flank
- Groove for chips
- Stable cutting edge

Optimized central section

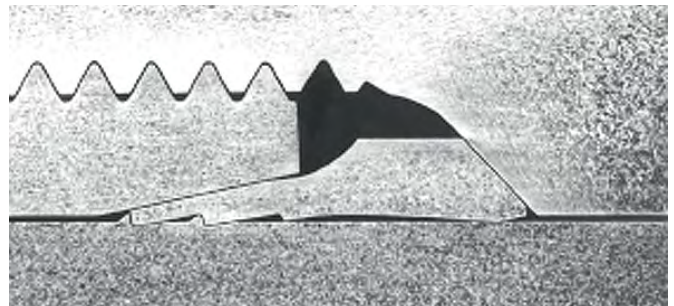
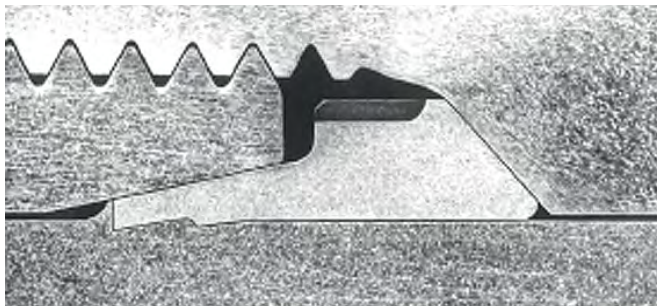
- Ideal contact angle
- Mechanical stop to prevent excessive tightening

Optimized shoulder section

- Contoured profile for greater rigidity
- Large ring-nut contact surface
- End radius

Maximum tightness thanks to:

- 100 % positive locking of the cutting edges
- High sealing strength (preload)
- No settling or subsequent penetration



Cross section of the profile ring

- Profile system: rigid ring, no settling
- Compression of chips: no subsequent penetration
- Negative clearance angle: additional sealing surface, significantly higher sealing pressure

Cross section of a two-edge cutting ring

- Ring with thin cross section: settling of the connection
- Partially exposed cutting edges: subsequent penetration, settling
- Zero clearance at the cutting edge: only the tube face is sealed, poor sealing on the stud side

A

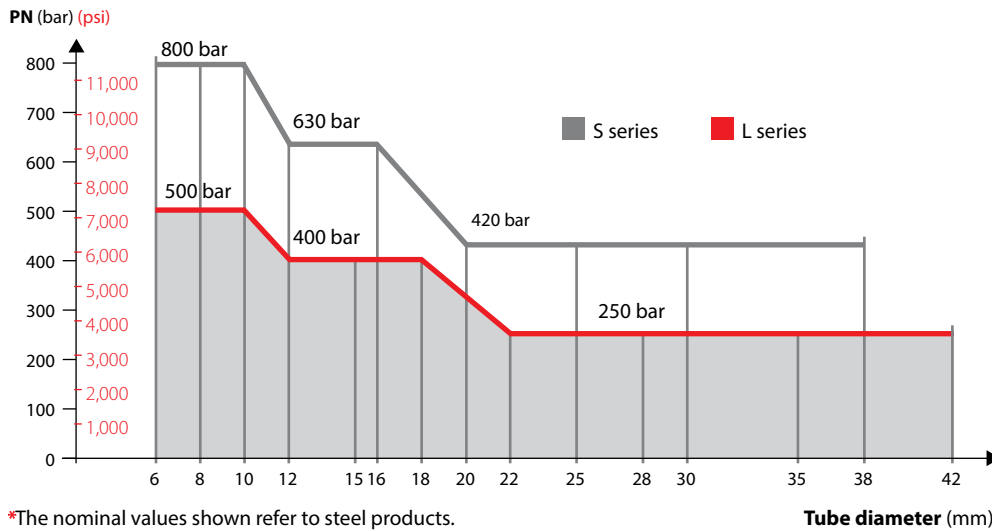
High nominal pressure ratings

PN – nominal pressure

Nominal pressure is an approximate pressure rating that is commonly used. Load tests for burst pressure must be carried out at no less than four times the nominal pressure of the fitting. Pressure-impulse tests must be carried out at no less than 1.33 times the nominal pressure of the fitting at one million load cycles.

- L series for nominal pressure up to 500 bar
- S series for nominal pressure up to 800 bar
- Only Waltech original parts should be used for high nominal pressure ratings

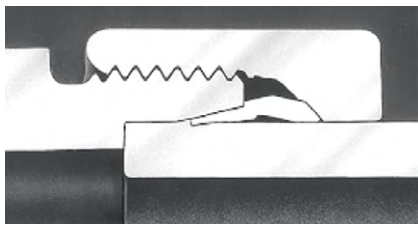
Nominal pressure ratings* of Walpro fittings



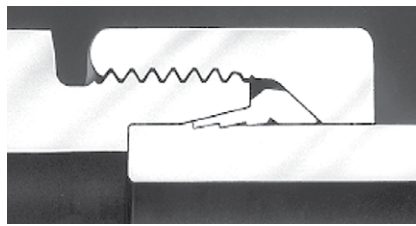
*The nominal values shown refer to steel products.

Safe installation

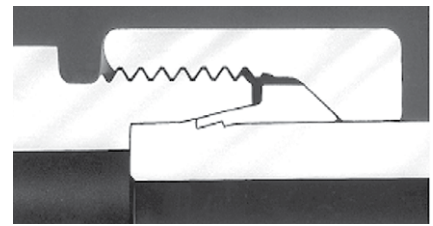
- Safe initial assembly with mechanical stop to limit tightening
- Safe re-assembly
- Work-hardening and compression of chips in the cut



Cutting ring – deformation due to excessive tightening



Two-edge cutting ring – deformation due to excessive tightening



Profile ring – no deformation due to excessive tightening

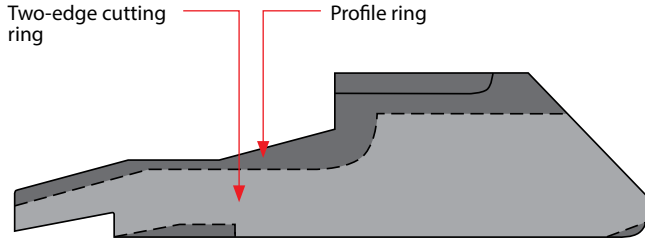
High fatigue strength

- Reliable tube retention
- Notch-free tube clamping

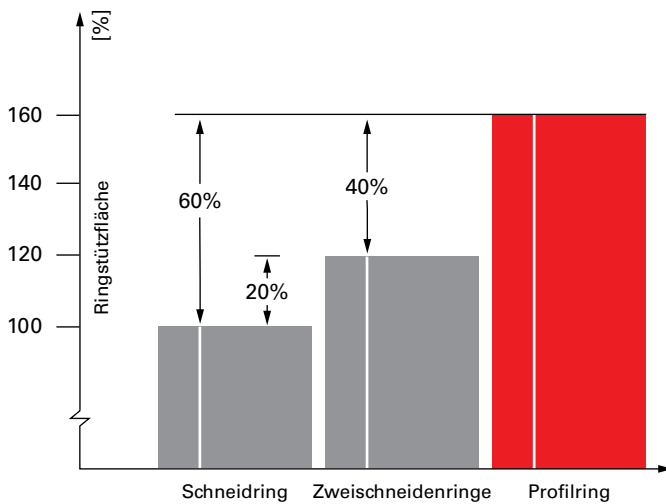
Behavior of cutting ring and profile ring in the event of excessive tightening	
Cutting ring – two-edge cutting ring	Profile ring
No significant torque increase	+ Significant torque increase
Loss of travel during assembly due to compression of the ring	+ No loss of travel, no compression of the ring
Reduced preload due to compression of the ring	+ High preload to accommodate the operating load The stable, optimized ring design prevents compression
Increased stress concentration on the tube	+ No stress concentration on the tube

Reliable tube retention

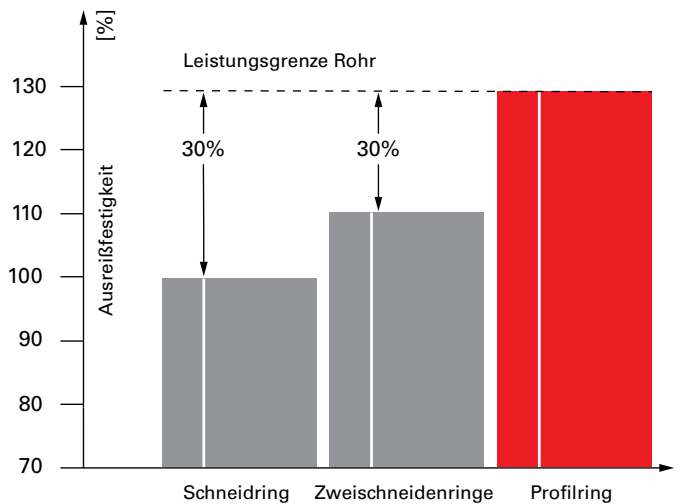
- Large ring contact area
- Rigid, profile-shaped ring
- High tensile strength



Optimized ring contact area (mean values)

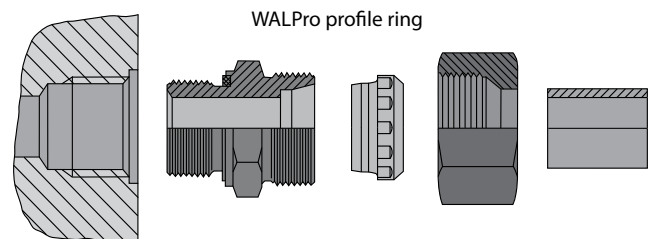


Tensile strength of the tube connections (mean values)



A universal, standardized solution

- All fitting components comply with DIN 2353 / EN ISO 8434-1
- Can be used with all standard tube materials
- Interchangeable with cutting ring and two-edge cutting ring



All fitting components comply with DIN 2353 / EN ISO 8434-1

Approvals and test certificates

- American Bureau of Shipping
- Bureau Veritas
- DNV-GL
- Lloyd's Register of Shipping
- Registro Italiano Navale
- Polish Register of Shipping

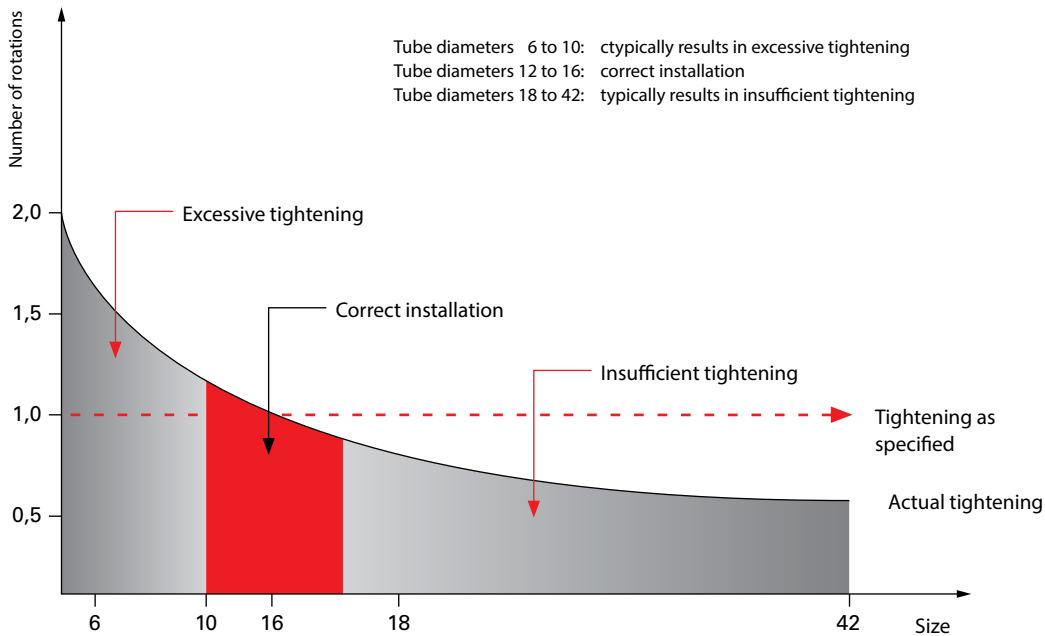
A

Controlled final assembly of profile-ring fittings

The right choice for a completely dry hydraulic system. The Danfoss Waltech profile ring relies on controlled final assembly, a new type of assembly technology that eliminates the most common errors that occur during installation.

Typical installation errors include:	The result:
<ul style="list-style-type: none"> • Incorrect pre-assembly • Failure to complete the assembly process • Excessive tightening • Insufficient tightening 	<ul style="list-style-type: none"> • Risk of accidents • Downtime • Maintenance costs • Leakage • Reputational damage

Field test: Comparison of target and actual values in case of intuitive installation

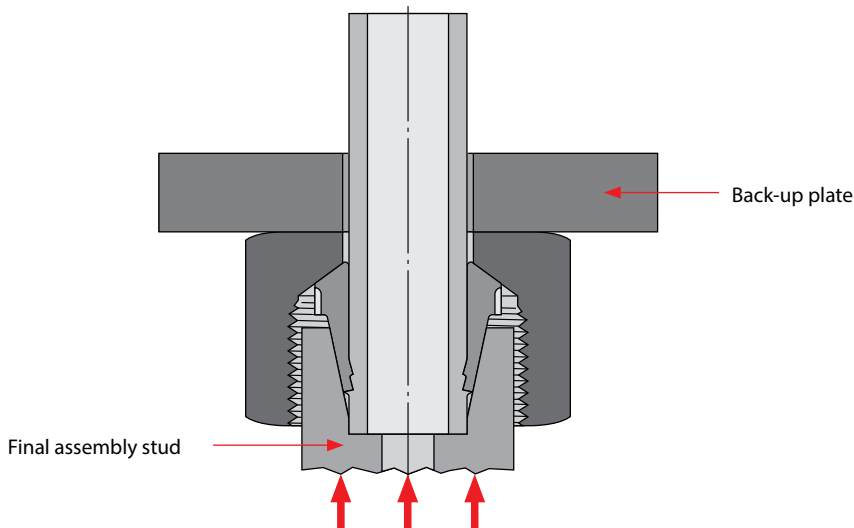


Possible errors during standard installation

A

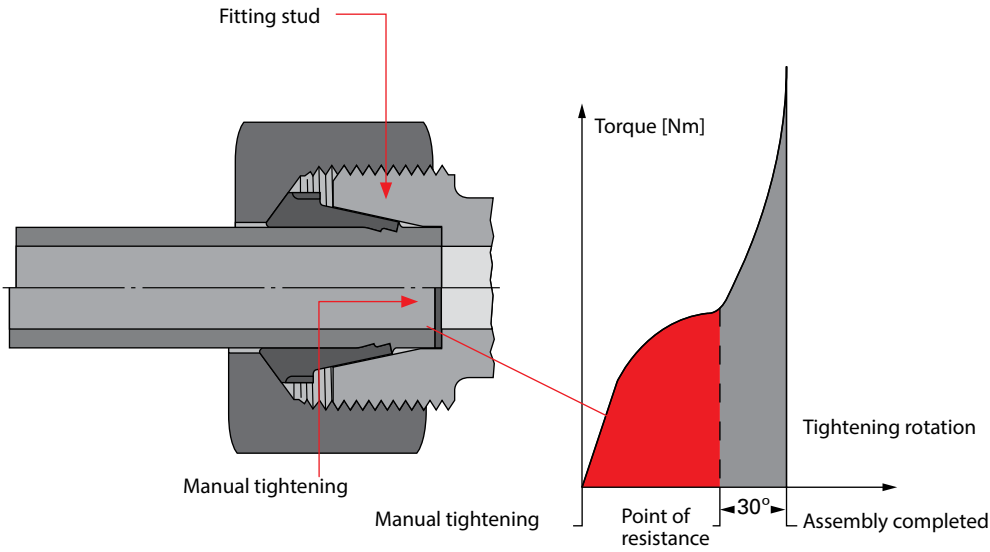
The consequences of excessive tightening	The result:
<p>Constriction of the tube</p> <ul style="list-style-type: none"> • Fatigue failure <p>Deformation of the fitting components</p> <ul style="list-style-type: none"> • Leakage • Retightening is not possible • Risk of breaking • Performance loss 	<p>Insufficient cutting depth</p> <ul style="list-style-type: none"> • Reduced pressure load • Leakage • Insufficient clamping of the tube • Cutting area at risk (fatigue failure) • Reduced flexural fatigue strength

Controlled final assembly with Danfoss assembly machine = the ring is cut to 100 %



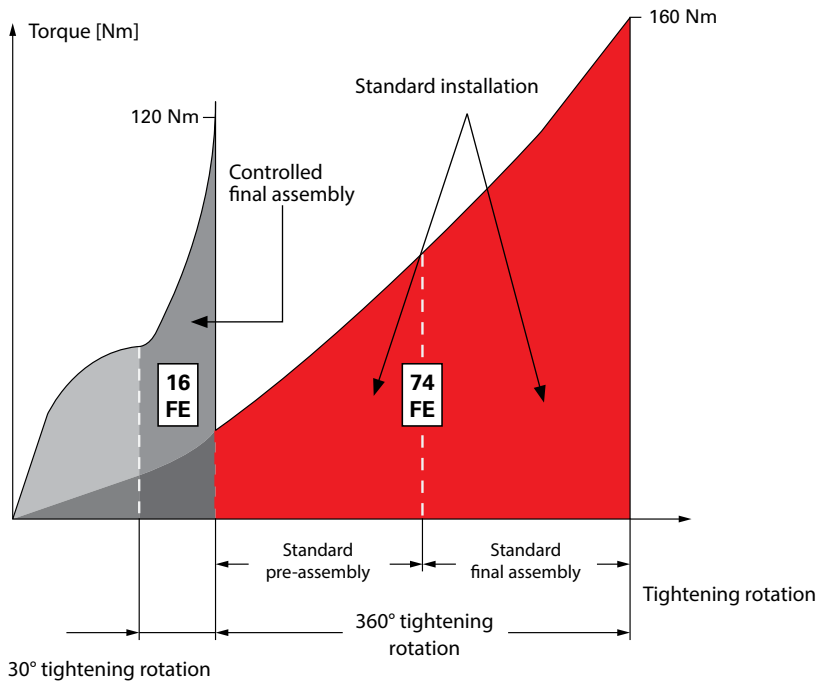
A

Controlled final assembly = 30° tightening rotation after the point of resistance



Point of resistance = tube at mechanical limit

Comparison of assembly types, size 16 S

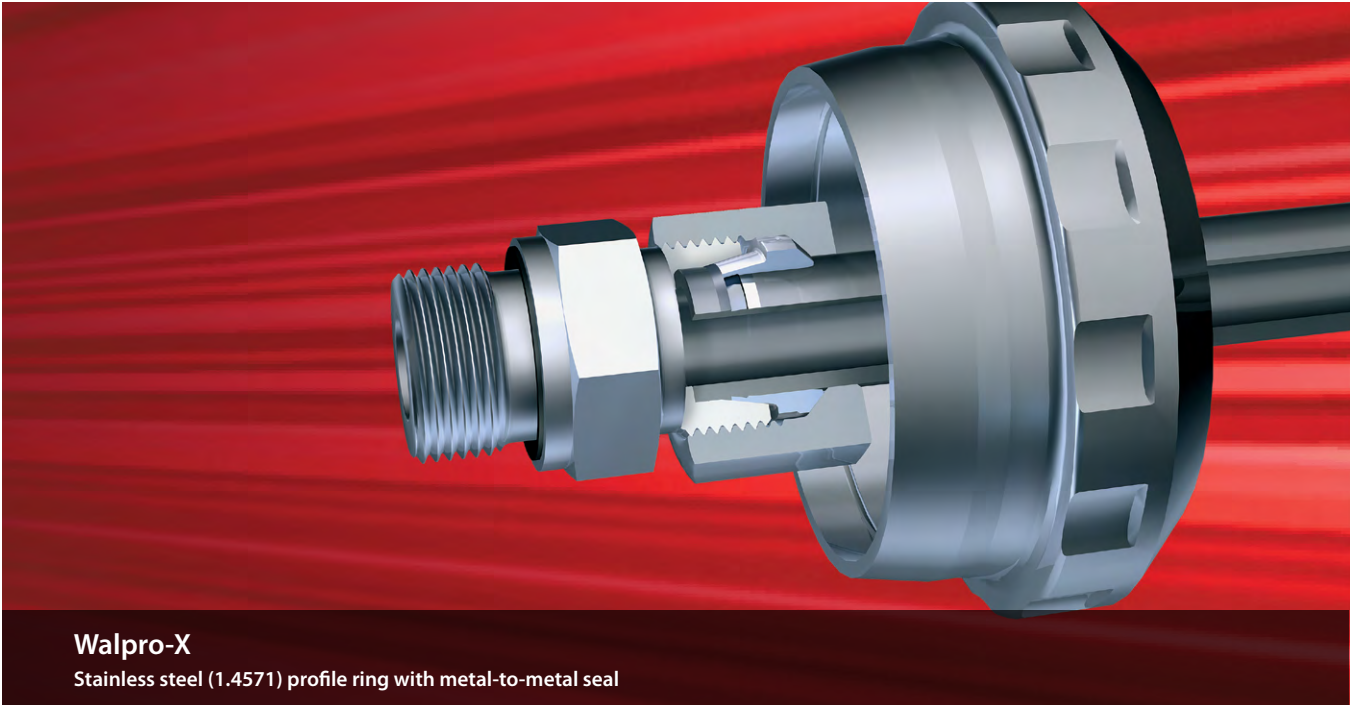


FE = units of area, the amount of work required for assembly

The most important features and benefits for customers

- The assembly machine cuts the ring to 100 %
- Short tightening rotation for final assembly (30°), meaning less force is required (-30 %)
- A steep increase in torque clearly signals the completion of the assembly process
- Components according to DIN 2353 / EN ISO 8434-1
- Assembly time reduced by up to 50 %
- The assembly machine ensures consistent quality
- Controlled final assembly options: based on the tightening rotation or torque-controlled
- Easy to assemble even where space is limited
- A significant reduction in installation costs
- The controlled final assembly eliminates sources of error and thus ensures the reliable operation of your product
- Can also be mounted on stainless steel tubes

A



Functional characteristics – Profile-ring tube fittings

Protecting people and the environment: the tried and tested Danfoss Waltech technology is also available in stainless steel (1.4571).

Aggressive media and extreme operating environments require special solutions. Walpro-X has been specially developed for use in highly sensitive areas – wherever safety and the environmental protection are at stake.

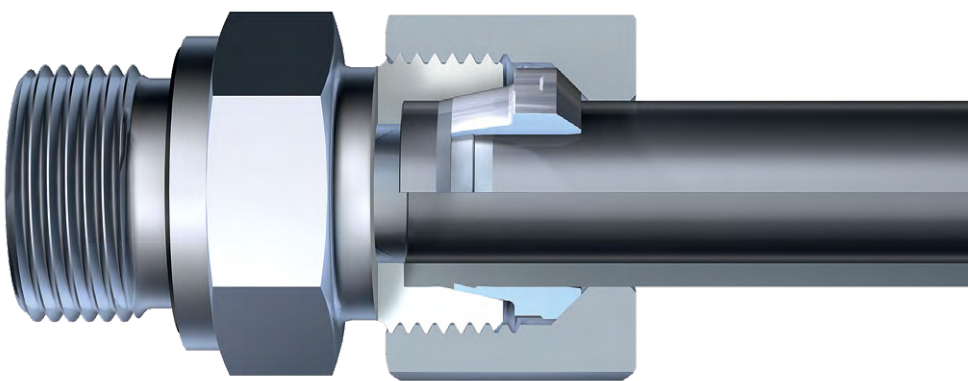
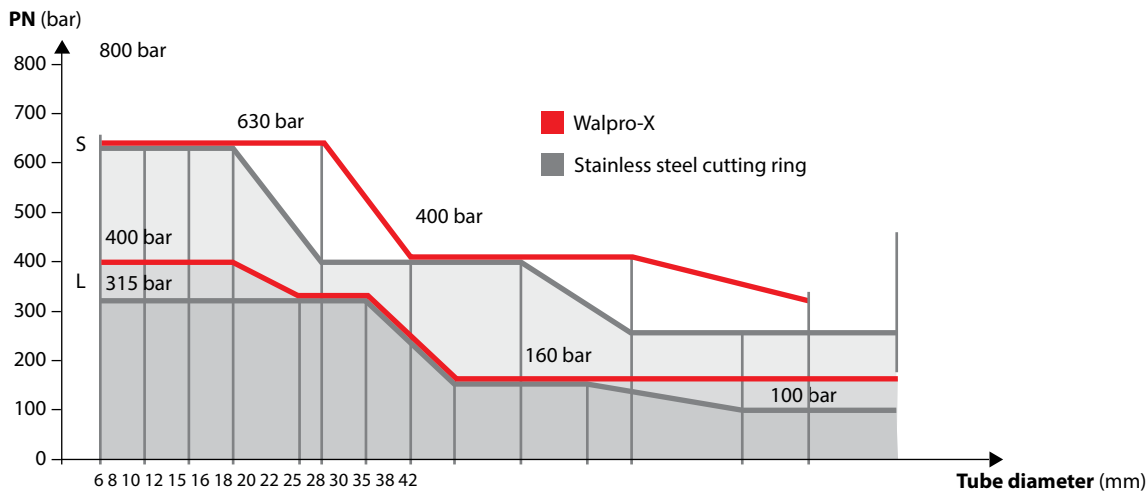
High nominal pressure ratings

PN – nominal pressure

Nominal pressure is an approximate pressure rating that is commonly used. Burst-pressure tests must be carried out at no less than four times the nominal pressure of the fitting. Pressure-impulse tests must be carried out at no less than 1.33 times the nominal pressure of the fitting at one million load cycles.

- L series for nominal pressure up to 400 bar
- S series for nominal pressure up to 630 bar
- Only Waltech original parts should be used for high nominal pressure ratings

Nominal pressure ratings* of Walpro-X fittings

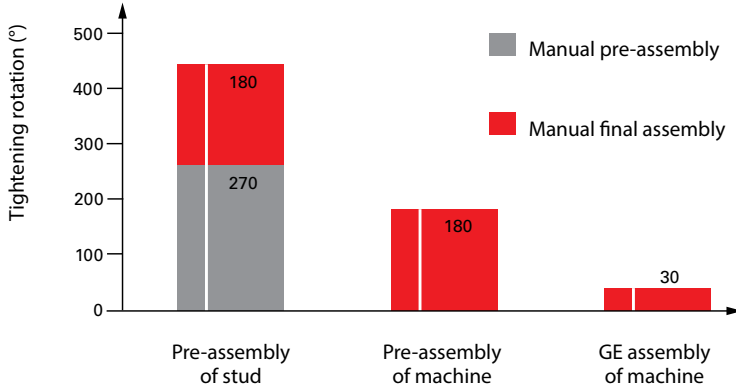


A A revolutionary assembly system

Machine-controlled final assembly is also available for Walpro-X.

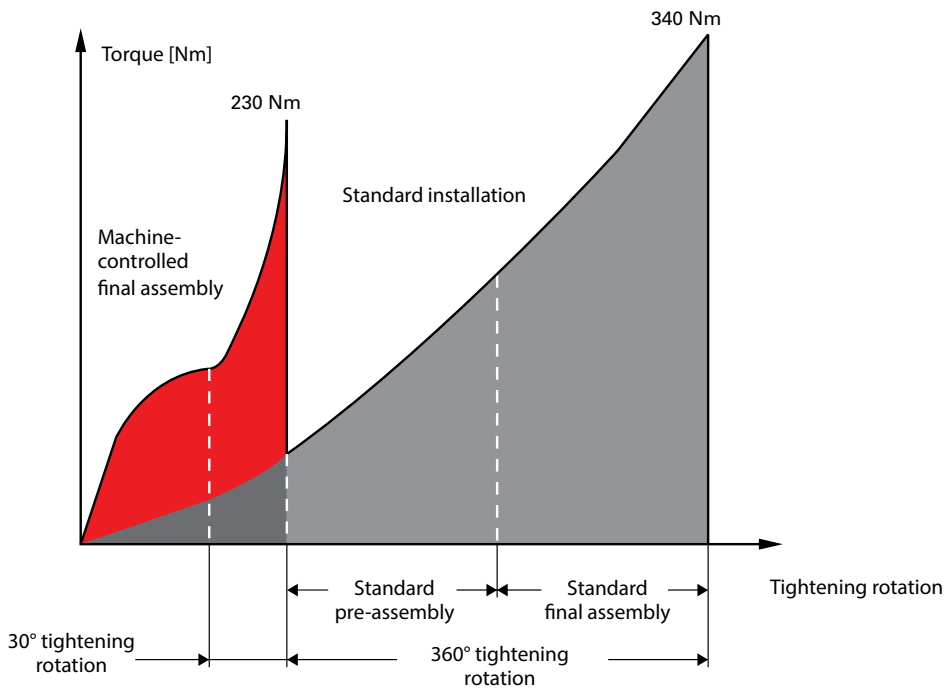
This reduces the required tightening rotation after the point of resistance to only 30°, thereby minimizing the necessary tightening force. This in turn reduces the installation time by up to 50 %.

Tightening rotation comparison for Walpro-X



Comparison of assembly types

Size 16 S

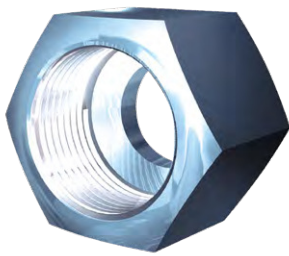
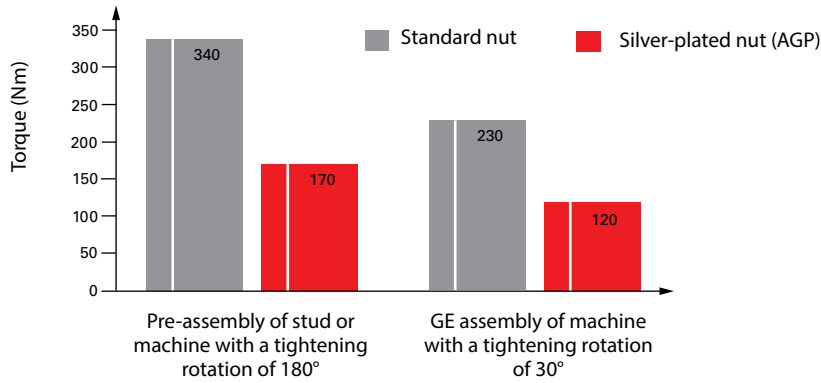


Future-proof features

Special nuts with silver-plated threads (AG/AGP, recommended from size 15L/12S and above) reduce the assembly and release torques to a minimum, which also makes disassembly and re-assembly significantly easier.

Walpro-X final assembly torques

Size 16 S



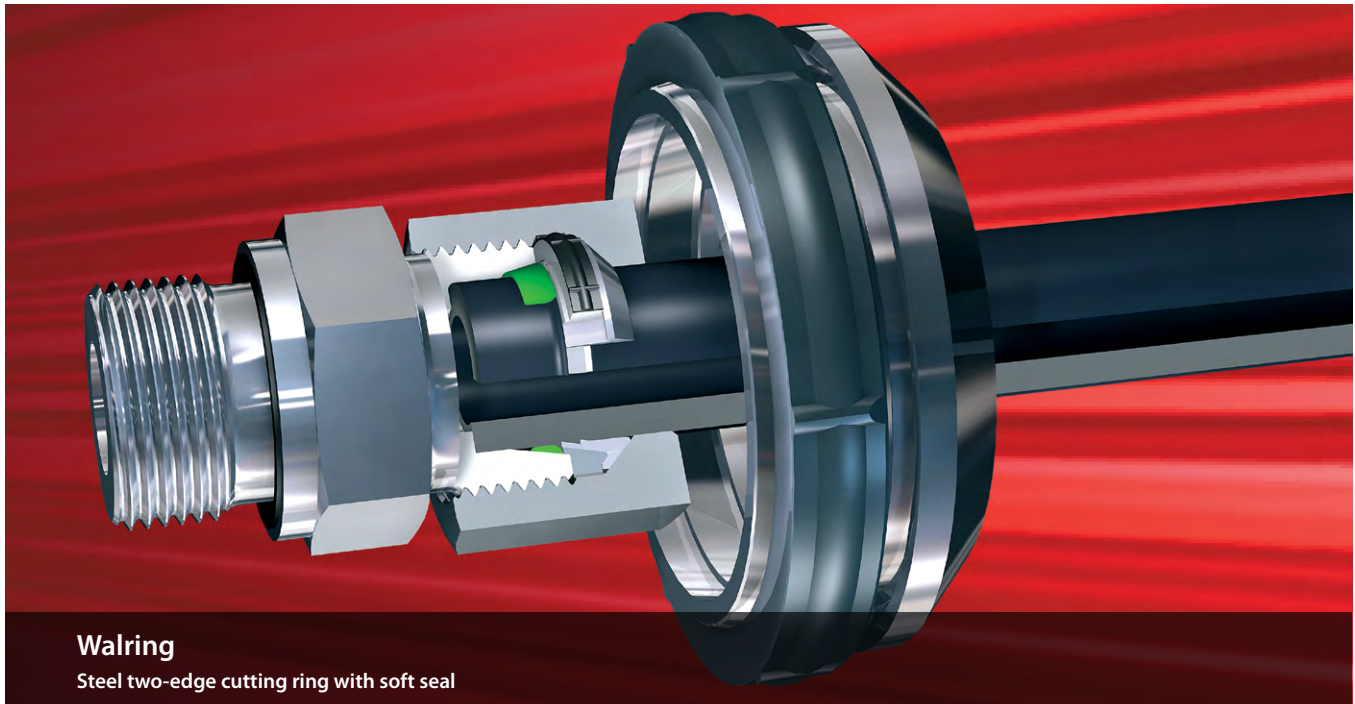
The benefits at a glance

- Unrivaled maximum nominal pressure of 400 bar for the L series / maximum nominal pressure of 630 bar for the S series
- The Danfoss Waltech final assembly machines ensure that the assembly process is 100 % reproducible
- Special silver-plated nuts (AG/AGP)
- Components according to DIN 2353, EN ISO 8434-1

Approvals and test certificates

- American Bureau of Shipping
- Bureau Veritas
- DNV-GL
- Lloyd's Register of Shipping
- Registro Italiano Navale
- Polish Register of Shipping

A

**Waling**

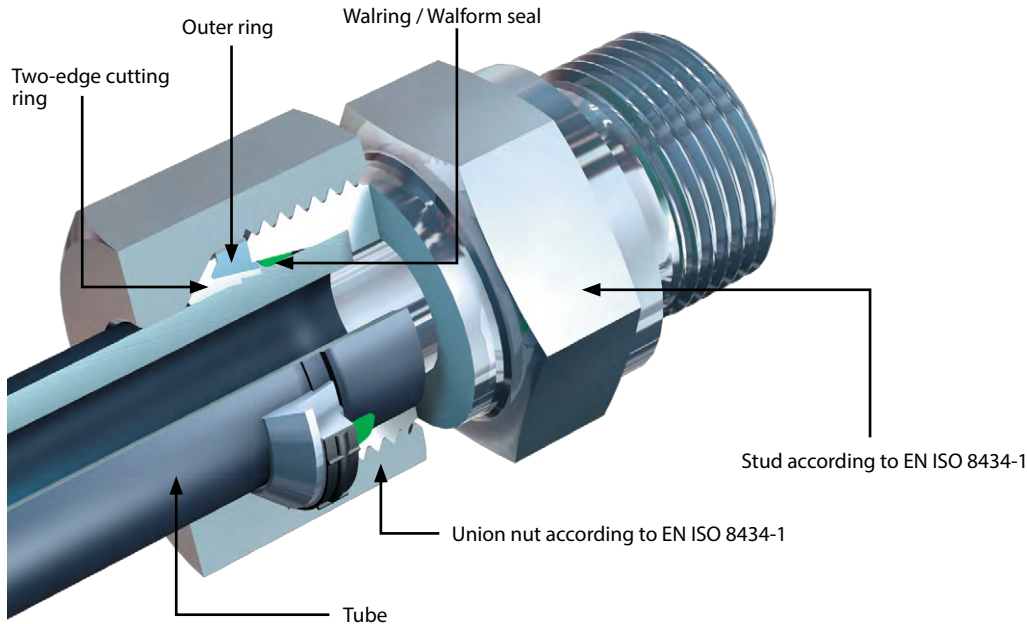
Steel two-edge cutting ring with soft seal

Functional characteristics: Waling tube fittings

Waling fittings combine all the advantages of two-edge cutting rings with the tried and tested WalformPlus soft-seal system and the user-friendly block assembly function. The contoured shoulder provides precisely calibrated support for the hydraulic tube behind the two cutting edges, ensuring the long-term functional safety of the fitting even in the face of high dynamic pressure impulses and reversed bending stress. The clearly detectable increase in the necessary tightening force at the end of the assembly process prevents insufficient and excessive tightening, the most common types of faults. And since the outer ring is fixed in place, the correct assembly of the connection can be easily verified.

Cutting-ring system with soft seal

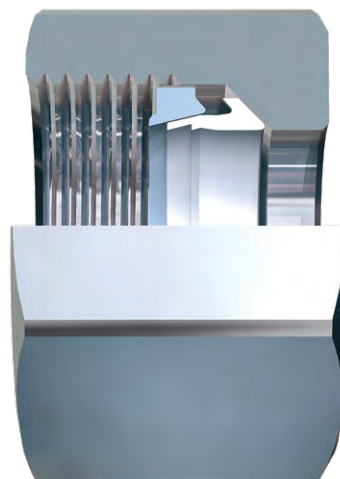
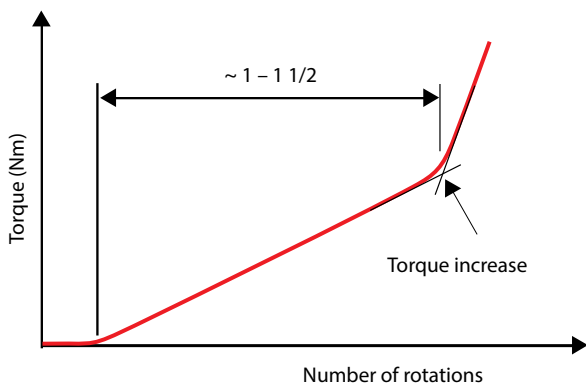
The Walring system consists of a DIN EN ISO union nut with an integrated two-edge cutting ring and outer ring, a Walform soft seal (system nut) and a DIN EN ISO fitting stud.



No need to worry about incorrect installation

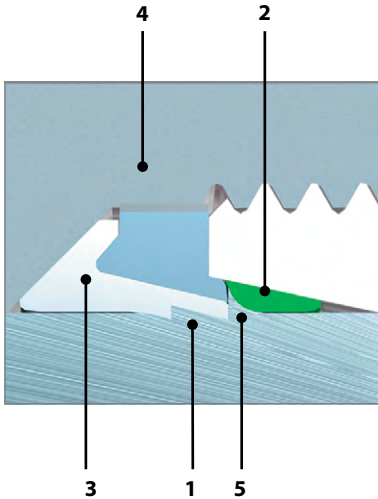
Danfoss's Walring sets new standards in terms of installation safety: During manual assembly, there is a clearly detectable increase in the amount of tightening force required after one to one and a half rotations (depending on the model), thereby enabling users to identify the exact point when the fitting has been correctly assembled. The next generation of process safety.

Tightening torque



A

The benefits in detail



1 Two equal cutting edges

- Due to the reduced cutting depth, the fittings can also be used with very thin-walled tubes
- Maximum burst-pressure and pressure-impulse performance, due to the distribution of the relevant forces across two equal cutting edges

2 The tried and tested Walform seal

- The fittings are user-friendly and save costs, as they can simply be re-assembled or replaced in the event of damage
- There is no risk of damage during pre-assembly, as the seal is only fitted afterwards
- Standard material: Viton; alternative sealing materials are also available (FKM, NBR, EPDM)

3 Interlocking of two-edge cutting ring and outer ring

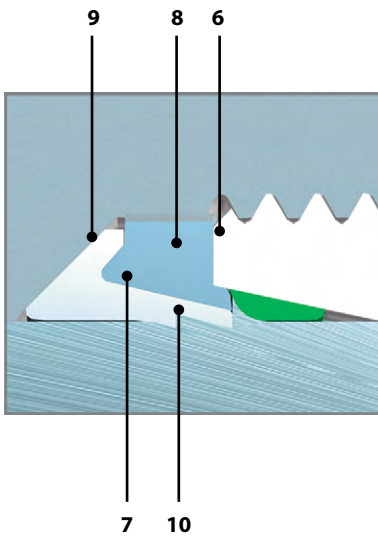
- The precision-engineered shoulder clasp increases flexural fatigue strength
- Reduced constriction of the shoulder area in the event of excessive tightening
- In the event of excessive tightening, the two-edged cutting ring is radially supported against expansion by the outer ring

4 Pre-assembled Walring system nut

- The Walring fitting already comes pre-assembled: The cutting ring and the outer ring are integrated in the DIN union nut (system nut).

5 Precision cutting

- The raised collar that secures the outer ring on the tube will only form if the ring is cut correctly. This means that the Walring system comes with a direct control feature to ensure correct cutting.



6 The outer ring is secured inside the fitting

- The outer ring is secured inside the fitting to prevent it from expanding radially, thereby ensuring that the connection can withstand even very high nominal pressures.
- This also prevents the tube from rotating during assembly.

7 Parallel 45° contact surface

- The completion of the assembly process can be easily detected thanks to the parallel contact surfaces, which ensure a significant increase in the required tightening force.
- This also prevents radial movement of the cutting ring and the outer ring.

8 Hardened outer ring

- The cutting ring does not cut into the outer ring.
- Closer tolerances ensure more precise cutting and prevent deformation.

9 Large shoulder surface

- The large shoulder surface prevents the fitting from settling and thus avoids loss of preload force.

10 Optimized taper angle

- At the end of the assembly process, the optimized taper angle causes a noticeable increase in the required tightening force after one to one and a half rotations, depending on the model.

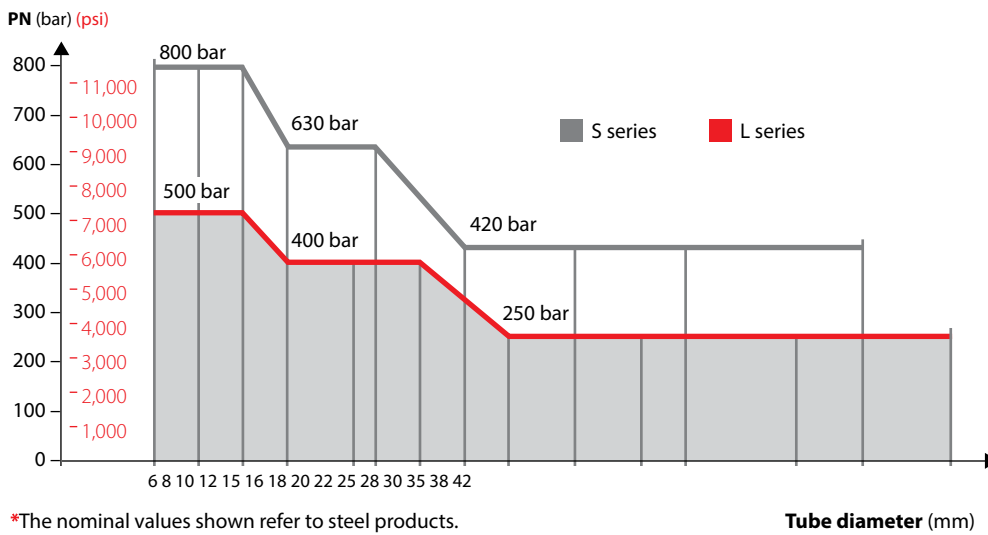
High nominal pressure ratings

PN – nominal pressure

Nominal pressure is an approximate pressure rating that is commonly used. Burst-pressure tests must be carried out at no less than four times the nominal pressure of the fitting. Pressure-impulse tests must be carried out at no less than 1.33 times the nominal pressure of the fitting at one million load cycles.

- L series for nominal pressure up to 500 bar
- S series for nominal pressure up to 800 bar
- Only Waltech original parts should be used for high nominal pressure ratings

Nominal pressure ratings* of Wairing fittings

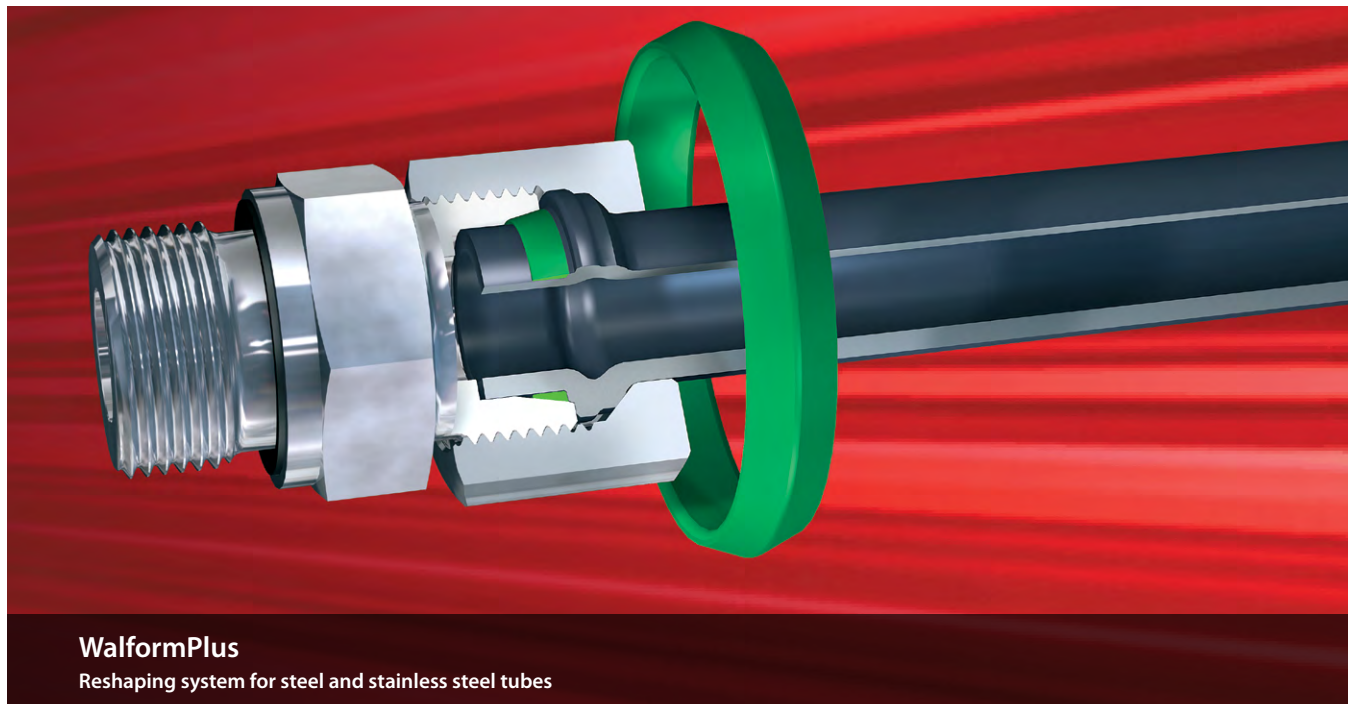


*The nominal values shown refer to steel products.

Approvals and test certificates

- DNV-GL

A



WalformPlus

Reshaping system for steel and stainless steel tubes

Functional characteristics: WalformPlus tube fittings

WalformPlus is a positive-locking fitting system for steel and stainless steel tubes that consists of only three components. The mechanically reshaped tube end is screwed together using a conventional DIN/ISO stud and a DIN/ISO union nut, and the only possibly leakage path is sealed off by means of an elastomer ring. A characteristic feature of the plus series is the shoulder on the flat surface of the reshaped tube, which is inserted into the 24° cone of the stud. This makes assembling the fittings significantly easier and prevents excessive tightening.

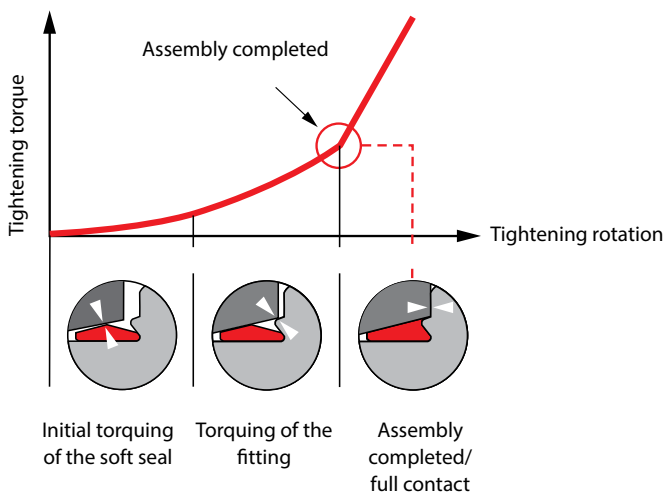
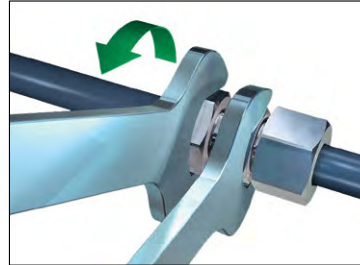
Thanks to the positive-locking connection, WalformPlus ensures secure tube retention, even under high dynamic loads. The assembly process is so easy and user-friendly that no special training is required, which enables a significant reduction in costs. Moreover, the system also facilitates additional savings by eliminating the need for pre-assembly and other auxiliary operations, while the small number of components reduces the costs for equipment and logistics.

Fully leak-proof

The only possible leakage path is sealed off in two ways: first by the WalformPlus soft seal and secondly by means of the metal-to-metal seal between the patented WalformPlus shoulder and the fitting stud.

Assembly made easy

- A clear increase in the tightening force
- Significantly lower tightening torque
- Clearly noticeable torque increase
- Short tightening rotation
- Effective protection against excessive tightening
- Can be re-assembled as often as necessary



Reliable tube retention

Thanks to the positive-locking connection, the system provides absolute safety even under the most extreme loads. This ensures reliable tube retention even in the event of insufficient or excessive tightening and prevents the tube from slipping out.

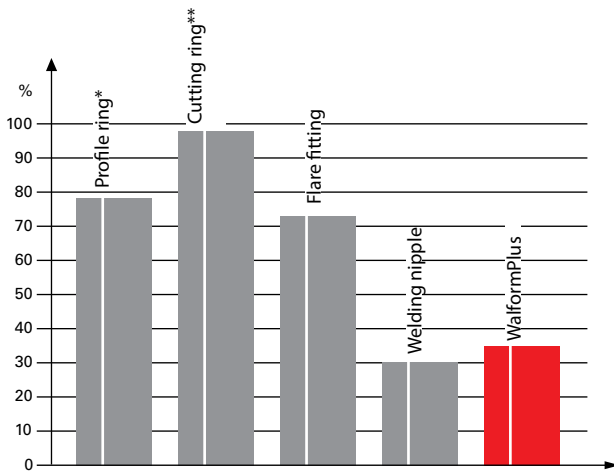
A

Ease of assembly

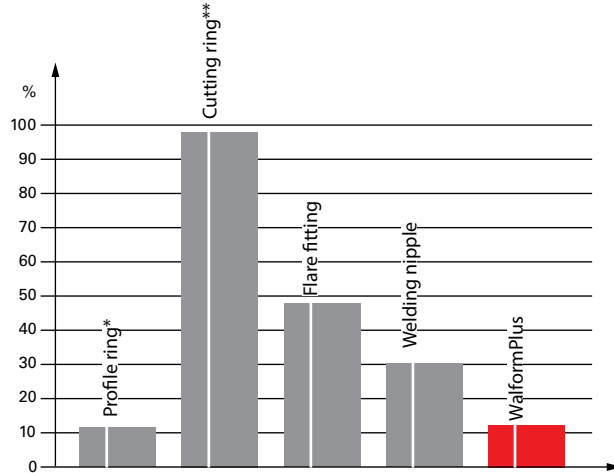
Installation made easy, with reproducible results

Thanks to its unique geometry, the assembly of the WalformPlus system is easy and user-friendly, and a noticeable increase in the required tightening force indicates that the process has been completed. Due to the short tightening rotation and the low torque, the installation process only takes a fraction of the time required for conventional tube-fitting systems. There is thus no need to comply with specific angles or to look for other signs that the process has been completed. Torque-based assembly is also possible.

Comparison of the required torque



Comparison of the required tightening rotation



*after controlled final assembly **with and without soft seal

High dynamic load capacity

Thanks to the computer-optimized geometry of the reshaped tube, we are able to achieve excellent performance under dynamic loads, such as high resistance to reversed bending stress and dynamic pressure impulses. The WalformPlus system has been tried and tested many times over, both in practice and through extensive testing.

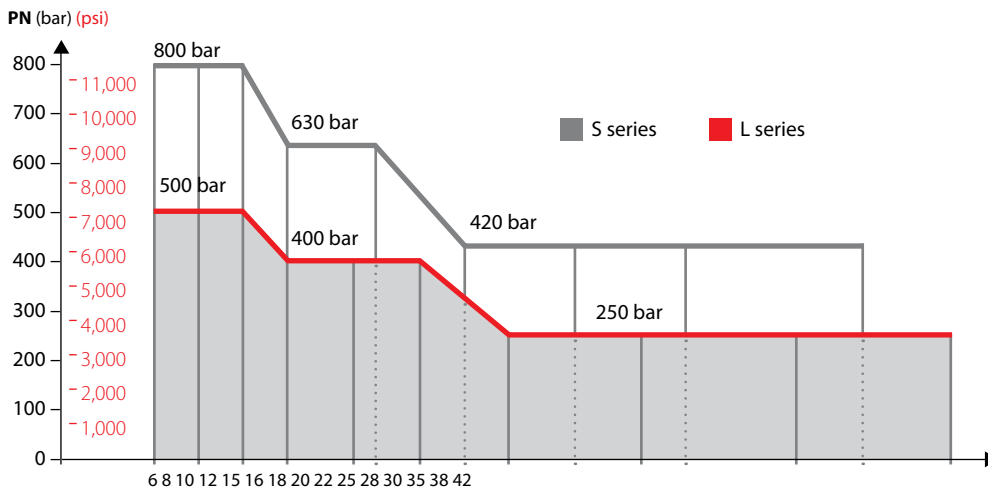
High nominal pressure ratings

PN – nominal pressure

Nominal pressure is an approximate pressure rating that is commonly used. Burst-pressure tests must be carried out at no less than four times the nominal pressure of the fitting. Pressure-impulse tests must be carried out at no less than 1.33 times the nominal pressure of the fitting at one million load cycles.

- L series for nominal pressure up to 500 bar
- S series for nominal pressure up to 800 bar
- Only Waltech original parts should be used for high nominal pressure ratings

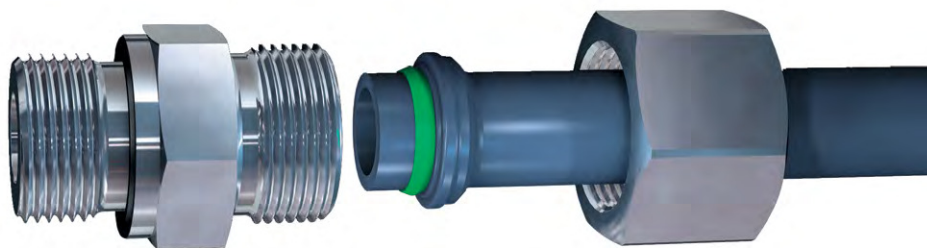
Nominal pressure ratings of the WalformPlus fittings



*The nominal values shown refer to steel products.

A

WalformPlus tube fittings



A more cost-effective system

- Fewer parts (which reduces the costs for material and logistics)
- Lower cost
- Compared to welding, no preparatory or finishing work required

Increased safety thanks to the positive-locking connection

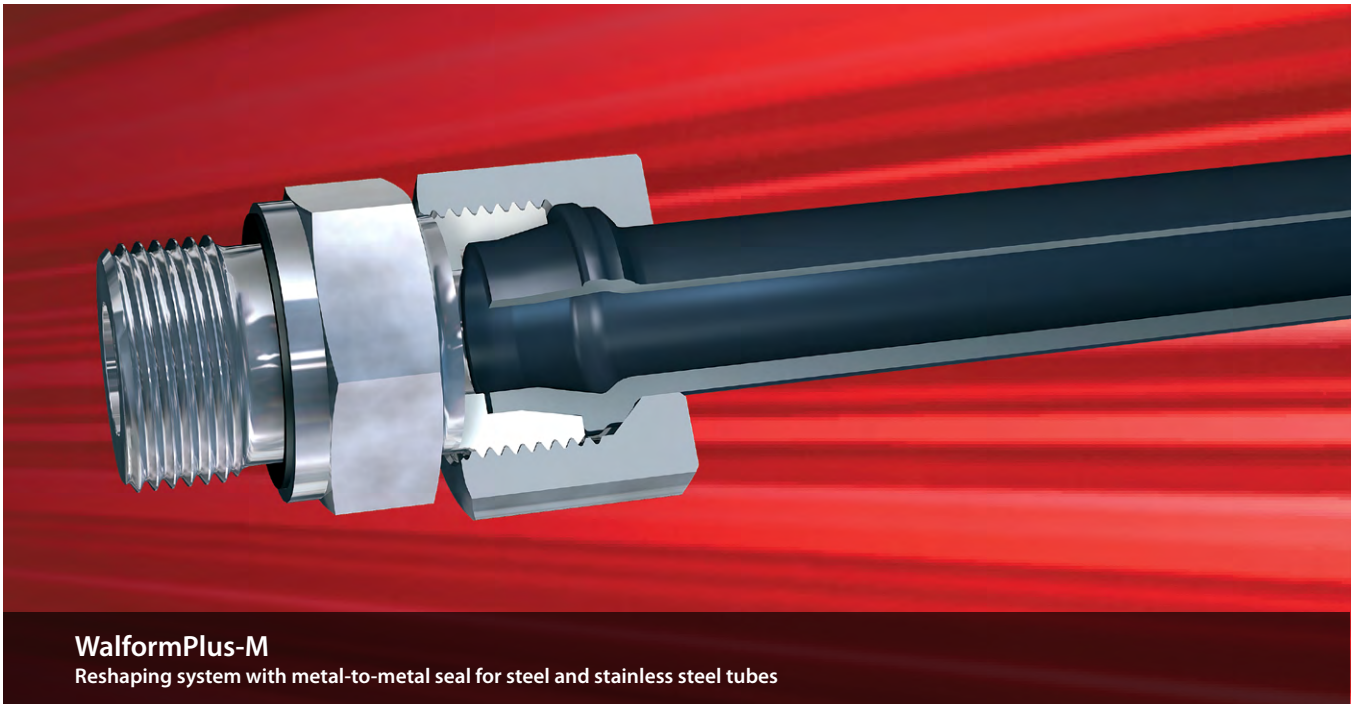
- High compressive strength
- Fully leak-proof
- Approved for use in safety-related applications
- High tolerance for assembly errors

Ease of assembly

- Only one separation/sealing point
- Easy assembly/clear indication when the assembly is completed
- Short installation time, low torque
- Extremely easy to assemble
- Significantly lower tightening torque compared to conventional cutting-ring fittings

Approvals and test certificates

- American Bureau of Shipping
- Bureau Veritas
- DNV-GL
- Lloyd's Register of Shipping
- Polish Register of Shipping



WalformPlus-M
Reshaping system with metal-to-metal seal for steel and stainless steel tubes

Functional characteristics: WalformPlus-M tube fittings

WalformPlus-M – an innovative alternative to ring-based systems

WalformPlus-M is a positive-locking fitting system for steel and stainless steel tubes that consists of only two components. The mechanically reshaped tube end is screwed together using a conventional DIN/ISO stud and a DIN/ISO union nut, and the only possibly leakage path is sealed off by means of the 24° taper of the tube. A characteristic feature of this series is the metal-to-metal seal, which certain types of applications require.

Thanks to the positive-locking connection, WalformPlus-M ensures secure tube retention even under high dynamic loads. The assembly process is so simple and user-friendly that no special training is required, which enables a significant reduction in costs. Moreover, the system also facilitates additional savings by eliminating the need for pre-assembly and other auxiliary operations, while the small number of components reduces the costs for equipment and logistics.

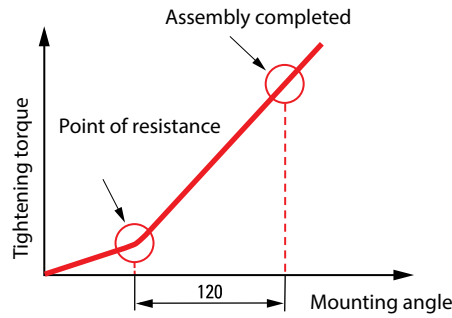
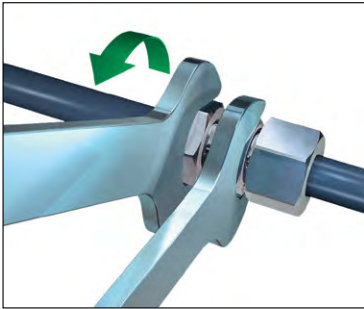
A

Fully leak-proof

A metal-to-metal seal between the contoured WalformPlus-M profile and the inner 24° taper of the fitting stud ensures that the only possible leakage path is sealed off.

Assembly made easy

- Low tightening torque
- Short tightening rotation
- Clearly noticeable torque increase
- Protection against excessive tightening
- Can be re-assembled as often as required



Reliable tube retention

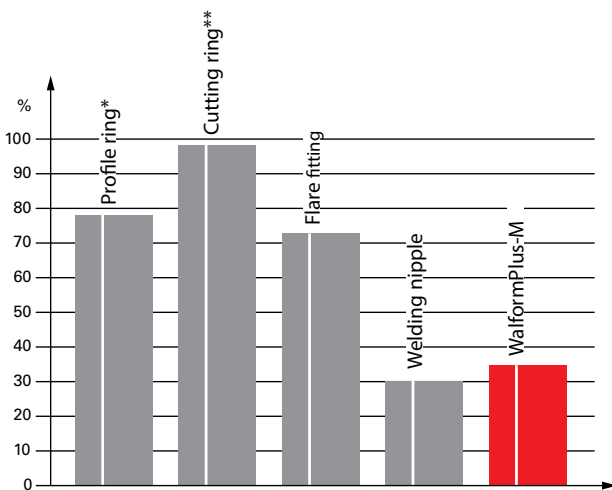
Thanks to the positive-locking connection, the system provides absolute safety even under the most extreme loads. This ensures reliable tube retention even in the event of insufficient or excessive tightening and prevents the tube from slipping out.

Easy to assemble

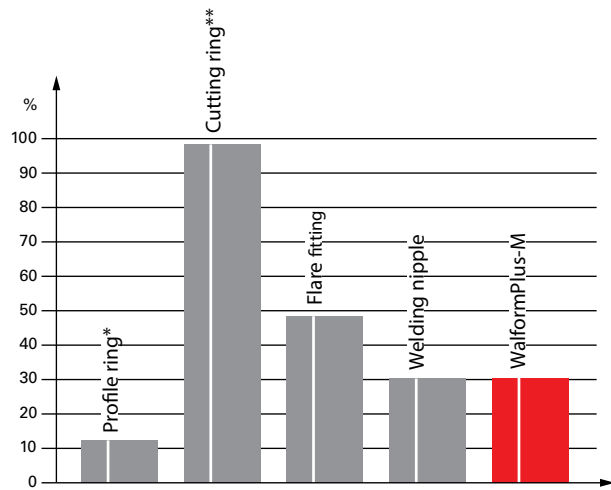
Installation made easy, with reproducible results.

Thanks to its unique geometry, the assembly of the WalformPlus-M system is user-friendly and offers effective protection against excessive tightening.

Comparison of the required torque



Comparison of the required tightening rotation



*after controlled final assembly **with and without soft seal

High dynamic load capacity

The WalformPlus-M geometry of the reshaped tube ensures excellent performance under dynamic loads, such as reversed bending stress and dynamic pressure impulses. The WalformPlus-M system has been tried and tested many times over, both in practice and through extensive testing.

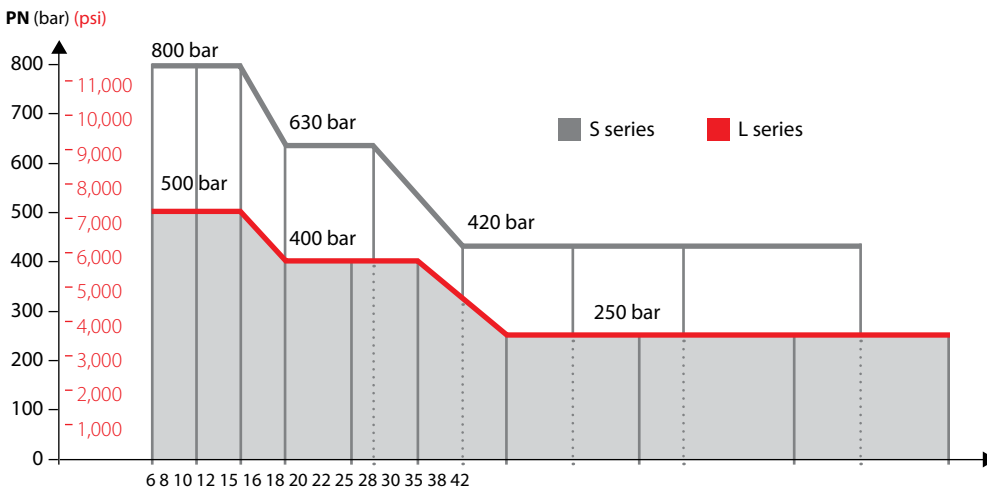
High nominal pressure ratings

PN – nominal pressure

Nominal pressure is an approximate pressure rating that is commonly used. Burst-pressure tests must be carried out at no less than four times the nominal pressure of the fitting. Pressure-impulse tests must be carried out at no less than 1.33 times the nominal pressure of the fitting at one million load cycles.

- L series for nominal pressure up to 500 bar
- S series for nominal pressure up to 800 bar
- Only Waltech original parts should be used for high nominal pressure ratings

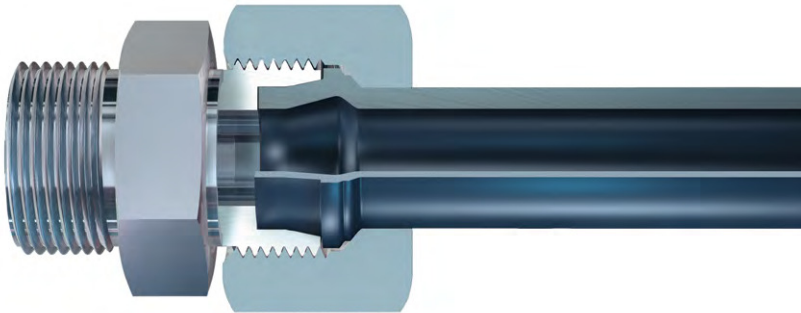
Nominal pressure ratings of the WalformPlus-M fittings*



*The nominal values shown refer to steel products.

A

WalformPlus-M tube fittings



Highly cost-effective

- Only two components (which reduces the costs for material and logistics)
- Much lower costs
- Compared to welding, no preparatory or finishing work required

The positive-locking connection and the metal-to-metal seal ensure a high degree of safety

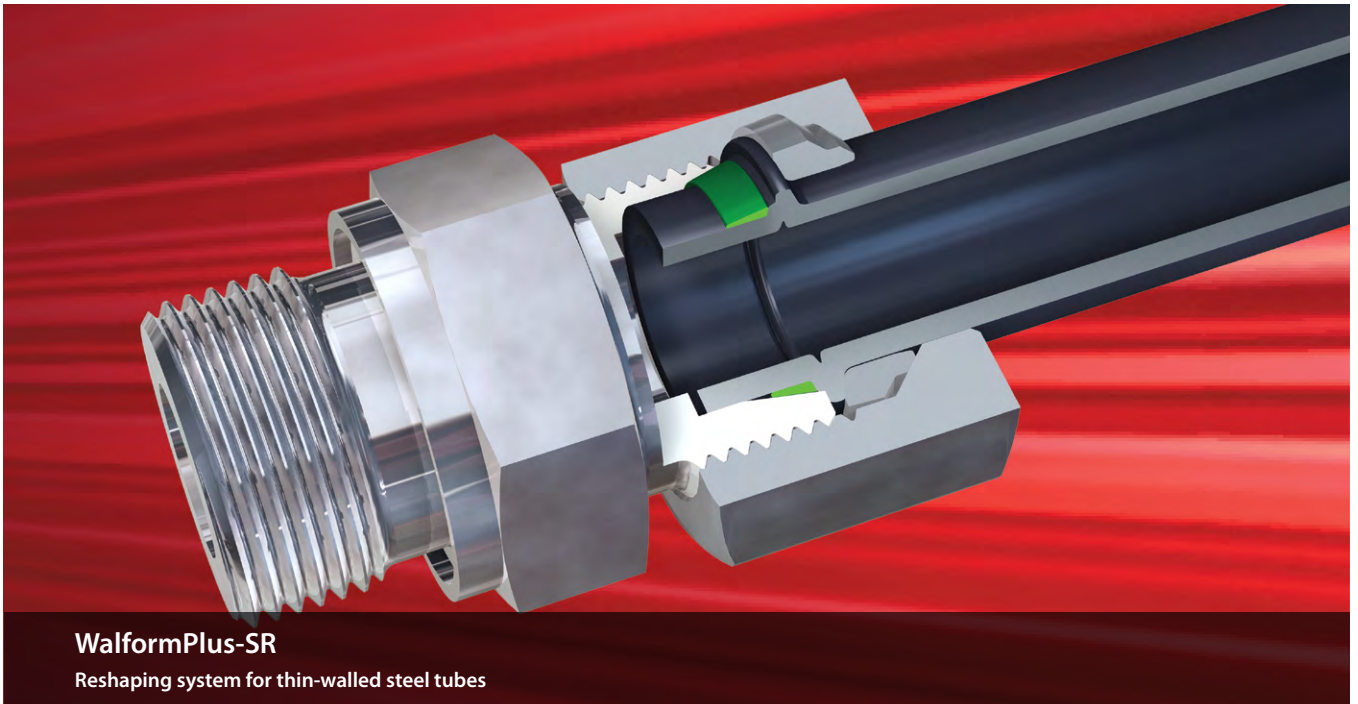
- Rugged metal-to-metal seal
- Fully leak-proof
- Approved for use in safety-related applications
- Avoids the side effects of elastomer seals

Very easy to assemble

- Only one separation/sealing point
- Short installation time, low torque
- Extremely easy to assemble
- Significantly lower tightening torque compared to conventional cutting-ring fittings

Approvals and test certificates

- American Bureau of Shipping
- DNV-GL
- Lloyd's Register of Shipping
- Polish Register of Shipping



WalformPlus-SR

Reshaping system for thin-walled steel tubes

Functional characteristics: WalformPlus-SR tube fittings

WalformPlus-SR – the ideal connection system for thin-walled tubes

WalformPlus-SR is a positive-locking fitting system for thin-walled steel tubes. The mechanically reshaped tube end is screwed together using an additional support ring as well as a conventional DIN/ISO stud and a DIN/ISO union nut, while the only possibly leakage path is sealed off by means of an elastomer ring. A characteristic feature of this series is the additional support ring, which allows the proven WalformPlus system to be used even on thin-walled tubes.

Thanks to the positive-locking connection and the additional support ring, WalformPlus-SR ensures secure retention as well as greater resistance to dynamic loads.

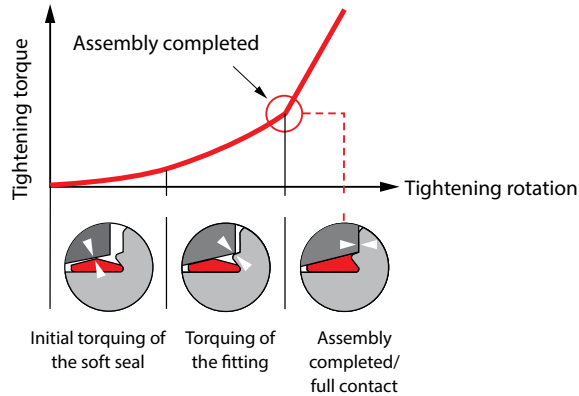
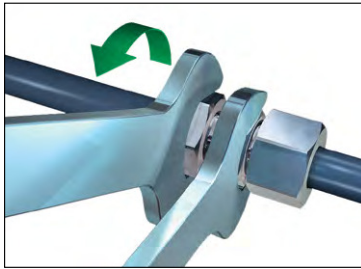
A

Fully leak-proof

The only possible leakage path is sealed off in two ways: first by the WalformPlus soft seal and secondly by means of the metal-to-metal seal between the patented WalformPlus shoulder and the fitting stud.

Assembly made easy

- A clear increase in the required tightening force
- Significantly lower tightening torque
- Clearly noticeable torque increase
- Short tightening rotation
- Effective protection against excessive tightening Can be re-assembled as often as required



Reliable tube retention

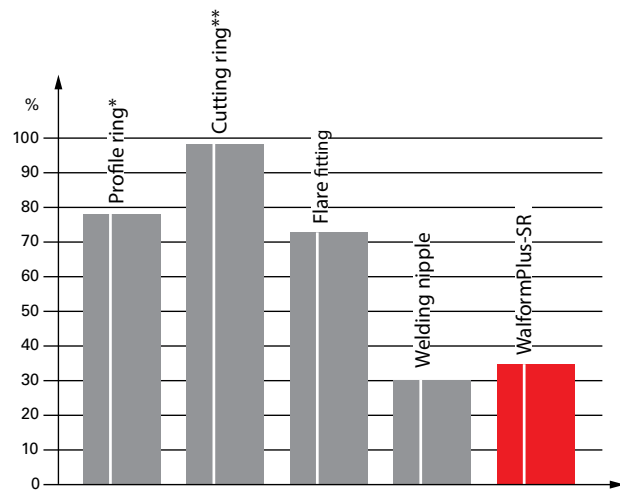
Thanks to the positive-locking connection, the system provides absolute safety even under the most extreme loads. This ensures reliable tube retention even in the event of insufficient or excessive tightening and prevents the tube from slipping out.

Easy to assemble

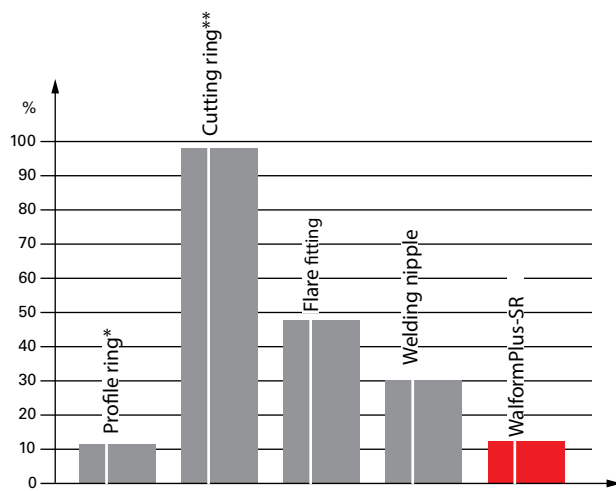
Installation made easy, with reproducible results.

Thanks to its unique geometry, the assembly of the WalformPlus-SR fittings is easy and user-friendly, and a noticeable increase in the required tightening force indicates that the process has been completed. Due to the short tightening rotation and the low torque, the installation process only takes a fraction of the time required for conventional tube-fitting systems. There is thus no need to comply with specific angles or to look for other signs that the process has been completed. Torque-based assembly is also possible.

Comparison of the required torque



Comparison of the required tightening rotation



*after controlled final assembly **with and without soft seal

High dynamic load capacity

The WalformPlus-SR geometry of the reshaped tube ensures excellent performance under dynamic loads, such as reversed bending stress and dynamic pressure impulses. The WalformPlus-M system has been tried and tested many times over, both in practice and through extensive testing.

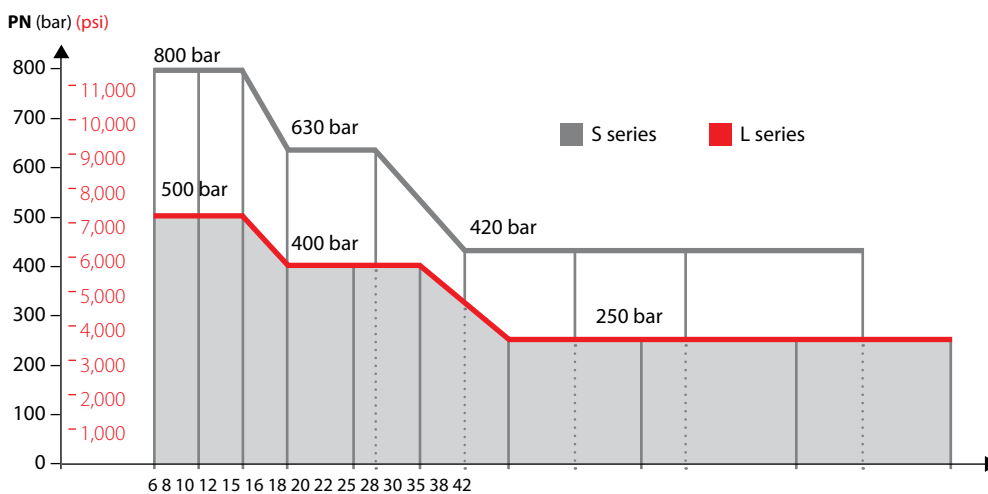
High nominal pressure ratings

PN – nominal pressure

Nominal pressure is an approximate pressure rating that is commonly used. Burst-pressure tests must be carried out at no less than four times the nominal pressure of the fitting. Pressure-impulse tests must be carried out at no less than 1.33 times the nominal pressure of the fitting at one million load cycles.

- L series for nominal pressure up to 500 bar
- S series for nominal pressure up to 800 bar
- Only Waltech original parts should be used for high nominal pressure ratings

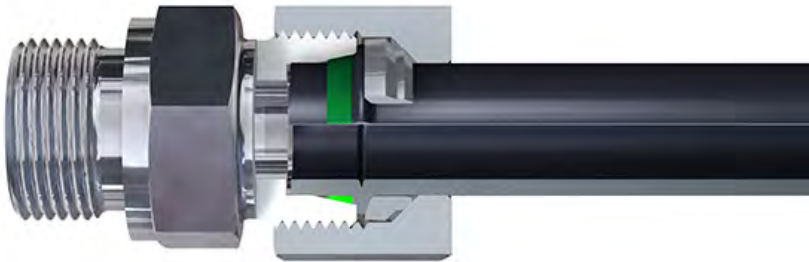
Nominal pressure ratings of the WalformPlus-SR fittings*



*The nominal values shown refer to steel products.

A

WalformPlus-SR tube fittings



Highly cost-effective

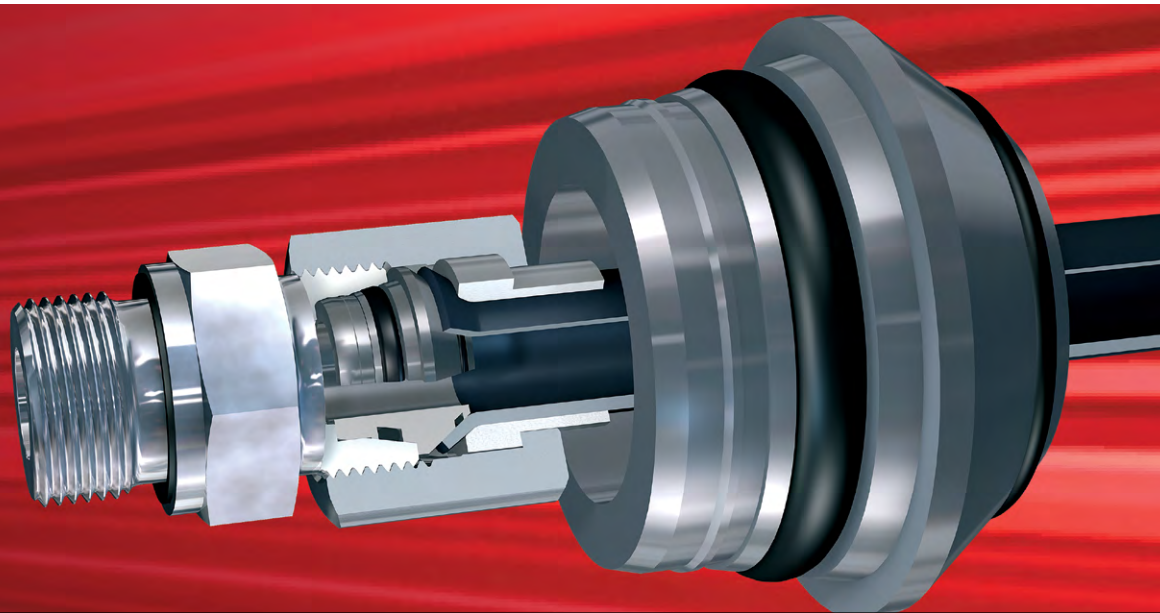
- Enables the use of the WalformPlus system on thin-walled tubes
- Lower cost
- Compared to welding, no preparatory or finishing work required

Increased safety thanks to the positive-locking connection

- High compressive strength
- Fully leak-proof
- Approved for use in safety-related applications
- High tolerance for assembly errors

Very easy to assemble

- Only one separation/sealing point
- Short installation time, low torque
- Extremely easy to assemble
- Significantly lower tightening torque compared to conventional cutting-ring fittings
- Easy assembly/clear indication when the assembly is completed



37° flare fittings

Steel or stainless steel (1.4571)

Functional characteristics: 37° flare fittings

Thanks to its ideal design, the four-component Danfoss Waltech flare fitting system enables the safe and leak-proof connection of flared tubes to standardized fitting studs according to DIN2353 / ISO 8434-1.

The fitting consists of the following parts:

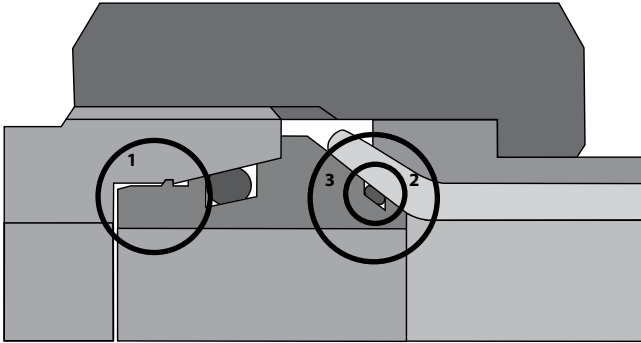
- Fitting stud according to DIN2353 / ISO 8434-1
- Intermediate ring with 2 elastomer seals and retaining collar
- Sleeve
- Flared union nut

The central component – the intermediate ring – forms the transition from the 24° cone of the fitting stud to the SAE-compliant 37° flare connection. Two O-rings are used to seal the stud cone and the flare connection, which ensures excellent sealing properties even in the event of pressure impulses. When the union nut is tightened, the intermediate ring is pressed into the fitting taper and deforms the retaining collar until it comes into contact with the intermediate ring and thus limits any further penetration. This prevents any detrimental expansion of the fitting stud. After tightening, the intermediate ring will be permanently connected to the fitting stud, which makes it significantly easier to re-assemble the fitting. The fitting can be removed and re-assembled as often as required. The sleeve ensures safe and notch-free tube clamping and thus guarantees high fatigue strength.

A

Computer-optimized technology for flare tube fittings

The Danfoss Waltech 37° flare tube-fitting system has been fully optimized to meet current and future market requirements. We have used state-of-the-art calculation methods to achieve high performance and installation safety, which is largely based on the optimized geometry of the individual parts. Two elastomer seals ensure excellent sealing properties, while the retaining collar on the intermediate ring facilitates safe handling.



1 Retaining collar on the intermediate ring

2 Additional elastomer seal

3 Optimized part geometry

- Large flare
- Optimized sleeve
- Notch-free tube clamping

Intermediate ring with two elastomer seals



High precision sealing

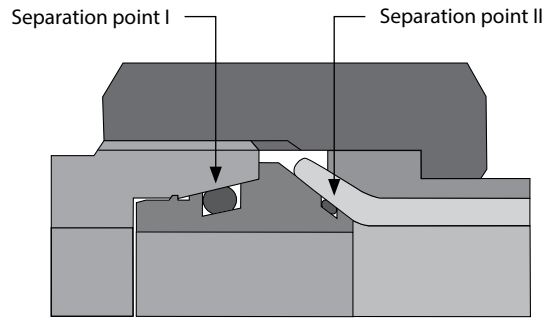
- Elastomer seals for both separation points
- No settling of the connection

Elastomer seals for both separation points

- Separation point I:
Fitting stud – intermediate ring
- Separation point II:
Intermediate ring – tube

No settling of the connection

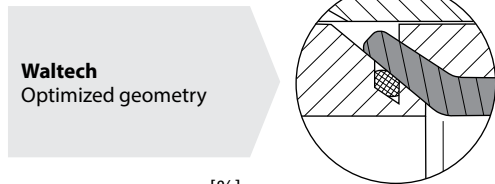
- Positive-locking connection between intermediate ring and fitting stud
- Positive-locking connection between sleeve and tube



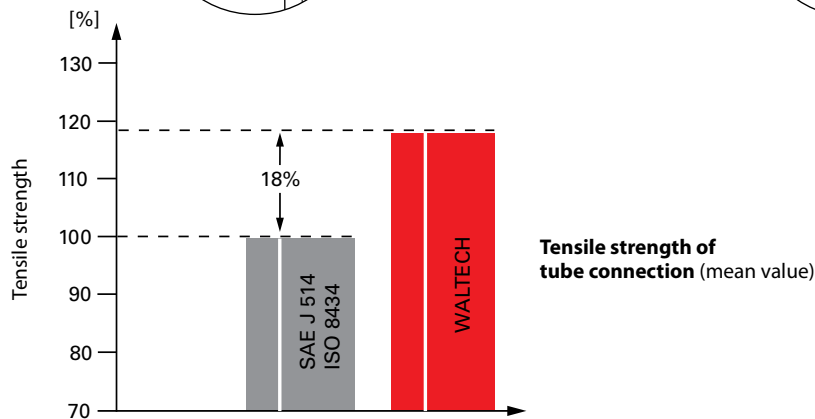
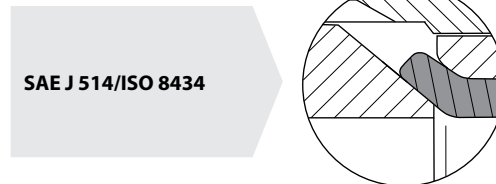
Reliable tube retention

- Large flare and optimized sleeve design
- High tensile strength
- No risk of disconnection in the event of insufficient tightening

Danfoss Waltech version



SAE version



A

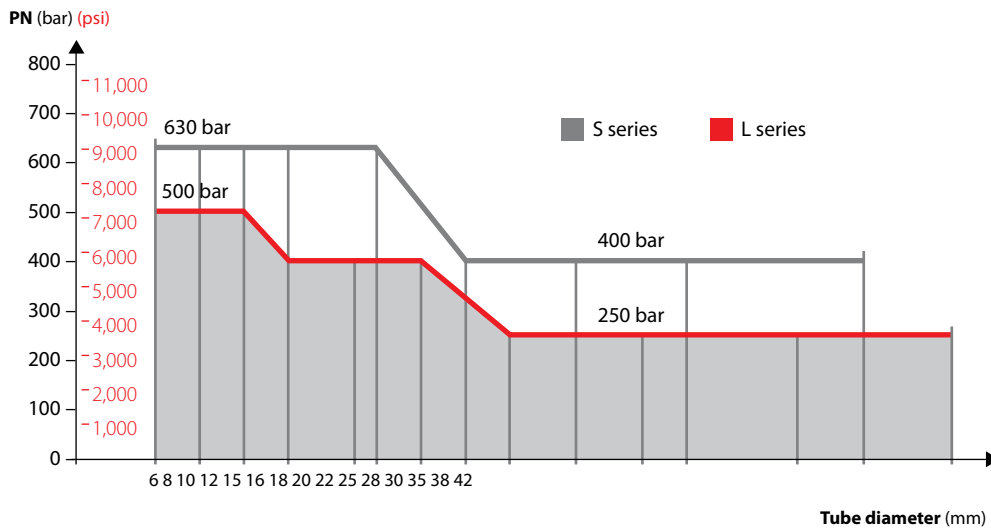
High nominal pressure ratings

PN – nominal pressure

Nominal pressure is an approximate pressure rating that is commonly used. Burst-pressure tests must be carried out at no less than four times the nominal pressure of the fitting. Pressure-impulse tests must be carried out at no less than 1.33 times the nominal pressure of the fitting at one million load cycles.

- L series for nominal pressure up to 500 bar
- S series for nominal pressure up to 630 bar
- Only Waltech original parts should be used for high nominal pressure ratings

Nominal pressure ratings of the 37° flare fittings*

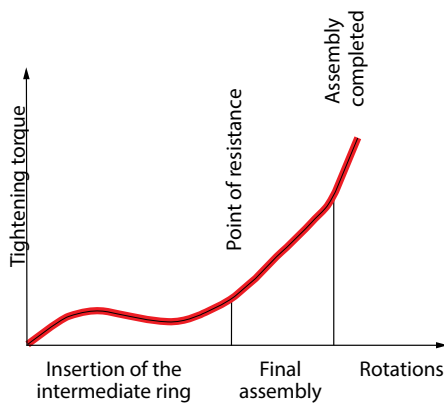


*The nominal values shown refer to steel products.

Safe installation

- Noticeable torque increase during initial assembly
- The retaining collar of the intermediate ring ensures safe re-assembly

Tightening torque curve



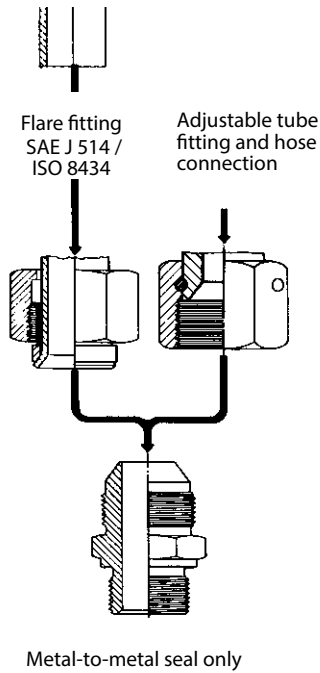
High fatigue strength

- Safe tube clamping
- Notch-free tube clamping

Standard solution

- Fitting studs according to DIN 2353 / ISO 8434-1

Connection in accordance with SAE J 514/ISO 8434



The Danfoss Waltech flare fitting (DIN 3949) as compared to flare fittings according to SAE J 514/ISO 8434

Compared to SAE J 514/ISO 8434 flare fittings, the fitting stud to DIN 2353 allows for a larger tube flare, so that tubes with greater wall thickness can be used. In addition, this also enables the use of elastomer seals on the tube side.

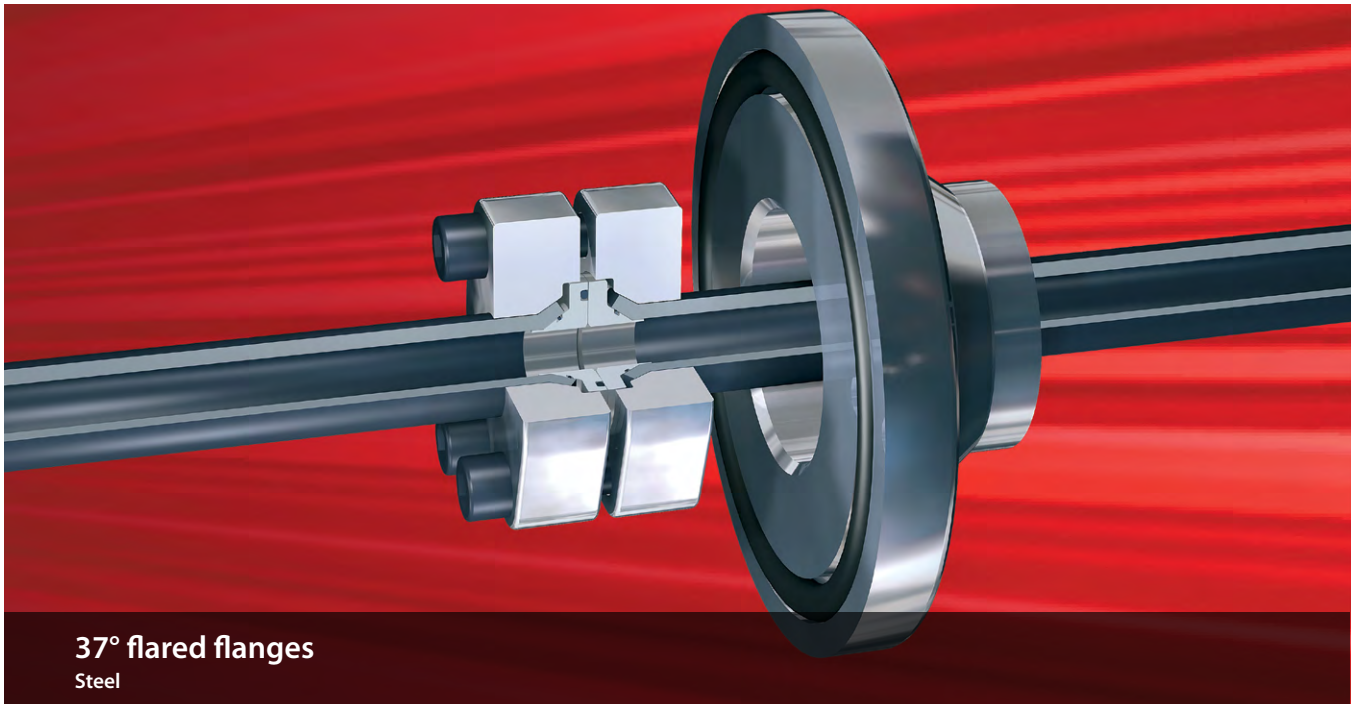
The Danfoss Waltech flare tube fittings are also perfectly matched to the various tube fitting and hose connection options of the L and S series: cutting ring/ profile ring, welding nipple and taper with O-ring. The use of standard studs, hoses and fittings reduces the number of components and thus simplifies warehousing.

SAE J 514/ ISO 8434 flare fittings require separate studs and hose connections.

Approvals and test certificates

- American Bureau of Shipping
- Bureau Veritas
- DNV-GL
- Lloyd’s Register of Shipping

A



37° flared flanges
Steel

Functional characteristics: 37° flared flanges

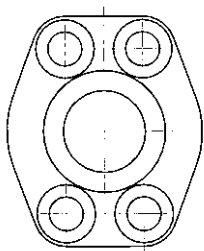
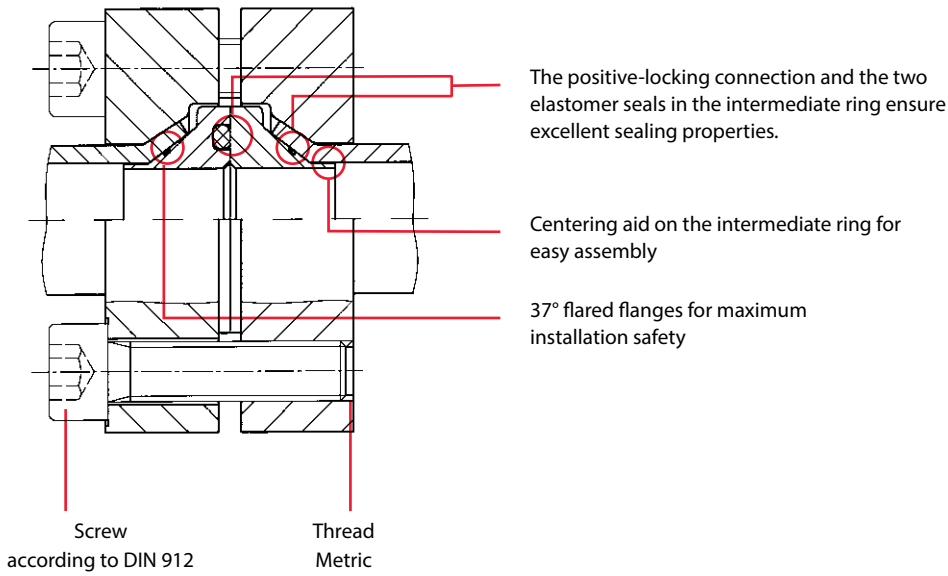
to SAE J518/ISO 6162

The "SAE 37°" flared-flange product line is a cost-effective alternative to tube connections that previously had to be welded.

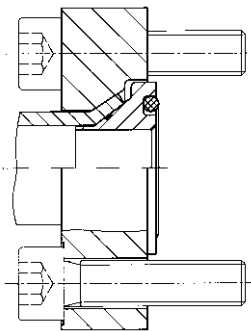
No tack welding, welding or pickling, which translates into dramatically lower investment costs for the necessary production equipment.

And Danfoss Waltech also offers electronically controlled reshaping machines for flaring from 16 mm and up. This ensures streamlined production with a high and consistent level of quality – both in the factory and in the field.

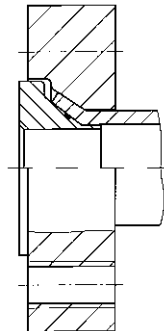
Connections without welding



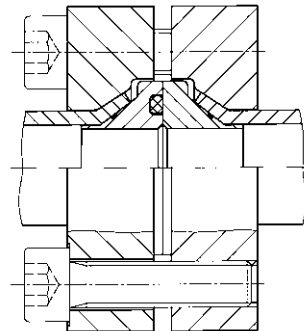
The external dimensions, the distances between the holes (hole pattern) and the dimensions of the flange connection correspond to SAE J 518 and ISO 6162:1994 (E).



BO-FK
Flange assembly



BO-FGK
Flange counterpart assembly



BO-FVK
Flange connector assembly

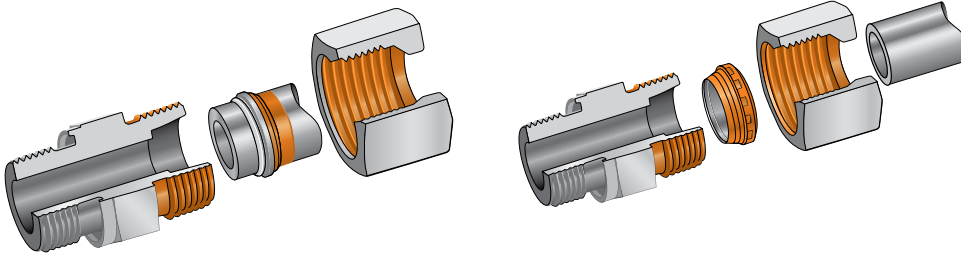
A

Danfoss Waltech ABF grease (anti-block grease)

Special grease for the installation of stainless steel couplings (1.4571)

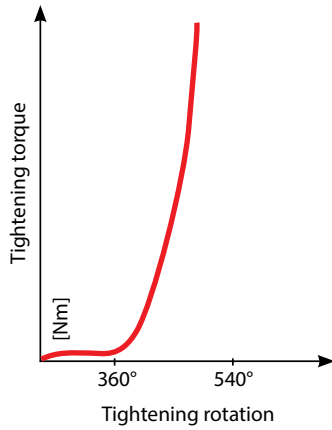
- Prevents gripping
- Reduces the friction coefficient

Application examples



Before assembly, the fittings must be thoroughly cleaned and all contact surfaces must be coated with a sufficient quantity of anti-block grease using a brush or lint-free cloth. After greasing, the fittings must be immediately assembled to prevent contamination. The assembly instructions of the respective tube-fitting systems must be observed.

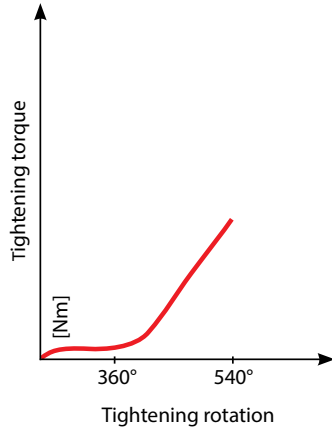
Assembly tests with Danfoss Waltech ABF grease (anti-block grease)



Assembly without Danfoss Waltech ABF grease (anti-block grease)

Gripping may occur

- High tightening torque due to friction, which results in a loss of tightening force
- Insufficient preload of the connection



Assembly with Danfoss Waltech ABF grease (anti-block grease)

- Reduced friction and elimination of gripping
- Simplified assembly thanks to a reduction in the tightening torque of up to 70 %
- Reduced torsional stress on the fitting body
- Strong grease adhesion on the contact surfaces

Note: For best results, use silver-plated stainless steel nuts (AG/AGP) plus Danfoss Waltech ABF grease (anti-block grease). For applications at temperature ranges from 110°C to 400°C, we recommend our ABF-HT anti-block grease for high temperatures. Please consult us for more information.
 Note: Not approved for use in drinking water applications!

Available quantities:

Can of 1000 g

Order no. WAL371741

Tube of 100 g

Order no. WAL624320

B

Technical information



Materials and finishes 3

Pressure strength and temperature resistance 5

Calculated pressures and tolerances of seamless precision-steel tubes 11

Stud and port types 14

Stud connection dimensions 16

Table for length correction 17

Overview of the applicable standards 18



Technical information

Materials and finishes

Fitting materials

B

Danfoss Waltech fittings are made from drawn or forged steel. The materials used are in accordance with DIN 3859-1 (Technical specifications for tube fittings). Union nuts are either cold- or hot-pressed. Our fittings are also available in stainless steel type 1.4571 (X6CrNiMoTi17122) as per DIN EN 10088-3 and DIN EN 10222-5, respectively. Special materials on request.

Sealing materials

Fitting material		Sealing materials*	
Steel	Stainless steel (1.4571)	As standard	On request
●		NBR	FPM
	●	FPM	NBR
WalringPlus soft seal		FPM	NBR / EPDM
Walring soft seal		FPM	NBR / EPDM

*NBR (e.g. Perbunan®); FPM (e.g. Viton®)

Finishes

All steel product lines are galvanized with the unique Danfoss Guardian Seal™ finish and are chrome-6-free. The silver finish lends the tube fittings an attractive appearance. The Guardian Seal™ finish offers significant advantages in terms of occupational safety and environmental protection, and it meets the latest EU legislative requirements (e.g. Directive 2000/53/EC). The finish can be easily painted over with standard industry paints (please make sure to follow the manufacturer's instructions). The steel union nuts are anti-friction coated to reduce torque. All welded fittings are phosphated.

Media

Danfoss Waltech fittings are designed for use with commercially available hydraulic oils. When using special media, such as flame-retardant fluids or native oils, please consult our application support team.

⚠ Caution: DIN 7716 applies to all fittings with elastomer seals (Elastomers: storage, cleaning, maintenance). Store in a dry, cool place (below 25 °C) and away from drafts and protect from sunlight, ozone and strong artificial light.

Special care must be taken with pre-assembled NBR O-rings, which are particularly sensitive to drafts and ozone exposure. Brittle fracture will occur if stored in open areas that are not protected from light and drafts! Recommendation: Use O-rings made of Viton (not sensitive to drafts and ozone).

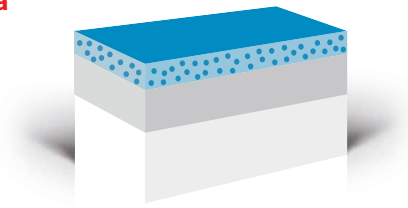
Material	Description	Surface protection/finish		
		A4GS/A2GS	A4GS/A2GS + anti-friction coating	Znphr5f
Steel	Fitting body	●		
	Union nuts		●	
	Profile rings	●		
	Welded socket			●

- Danfoss Guardian Seal™ technical data sheet
- Znphr5f to DIN EN ISO 3892 and DIN 50942

Material	Description	Surface protection/finish	
		Untreated	Silver-plated
Stainless steel (1.4571)	Fitting body	●	
	Union nuts Up to size 12L/10S	●	
	Union nuts From size 15L/12S	●	●
	Profile rings	●	
	Welded socket	●	

Guardian Seal™ technical data
Layer structure:

- Zinc base layer
- Micro-passivation
- Micro-impregnation


Layer thickness:

- | | |
|-----------------------|------------------------------------------------------------|
| • Zinc layer: 1 | 10-15 μm (for some products 5-7 μm) |
| • Micro-passivation: | 0.3 μm |
| • Micro-impregnation: | < 2 μm |

Corrosion resistance to DIN EN ISO 9227:

- Danfoss Waltech Products: 360 hours to white rust 1,000 hours to red rust

Coloring:

- The Guardian Seal coating gives the Danfoss Waltech tube fittings a consistent silver finish.

Paintable:

- The Guardian Seal coating can be painted with commercially available paints. If necessary, paint adhesion can be checked by means of a cross cut (DIN ISO 2409).

Resistance to fluids:

- Guardian Seal is resistant to standard hydraulic fluids.

Environmental compatibility:

- Guardian Seal complies with the EU End-of-Life Vehicle Directive (ELV 2000/53/EC).

Friction coefficients / installation behavior:

- No change in the installation and disassembly behavior/torques compared to Cr (III)-coated Danfoss Waltech fittings.

Combining Guardian Seal fittings with Cr (III)- or ZnNi-coated fittings:

- It is possible to combine Guardian Seal-coated fittings and chrome (III)- and zinc-nickel-coated fittings.

Technical information

Pressure strength and temperature resistance

Pressure strength

PB – operating pressure

B

The allowable operating pressure of a component is the maximum permissible positive pressure inside that component at the permissible operating temperature (TB) during fault-free operation, based on the material in question and the relevant formulas.

PN – nominal pressure

Nominal pressure is an approximate pressure rating that is commonly used.

Pressure ranges

Series	Steel – profile ring + Walring + Walform			Stainless steel – profile ring + Walform (1.4571)				
	Tube outer diameter	Nominal pressure		Tube outer diameter	Nominal pressure of profile ring 1.4571		Nominal pressure Walform 1.4571	
		bar	psi		bar	psi	bar	psi
LL (very light, cutting ring only)	4-8	100	1,450	4-8	100	1,450	-	-
L (light)	6-10	500	7,252	6-12	400	5,801	400	5,801
	12-18	400	5,801	15-18	315	4,569	315	4,569
	22-42	250	3,626	22-42	160	2,321	250	3,626
S (heavy)	6-10	800	11,603	6-16	630	9,137	630	9,137
	12-16	630	9,137	20-30	400	5,801	400	5,801
	20-38	420	6,091	38	315	4,569	330	4,786

Series	Steel – flare fitting			Stainless steel – flare fitting		
	Tube outer diameter	Nominal pressure		Tube outer diameter	Nominal pressure	
		bar	psi		bar	psi
L (light)	6-10	500	7,252	6-12	400	5,801
	12-18	400	5,801	15-18	315	4,569
	22-42	250	3,626	22-42	160	2,321
S (heavy)	6-10	630	9,137	6-16	630	9,137
	20-38	420	6,091	20-30	400	5,801
				38	315	4,569

⚠ Caution: Some models have different nominal pressure ratings. Please refer to the respective nominal pressure ratings of each model. The nominal pressure ratings are also available on request.

Temperature range

Fitting and sealing materials must be selected in accordance with the operating temperature

B

Material	Permissible operating temperature TB °C												
	-60	-40	-35	-25	+20	+50	+80	+100	+120	+175	+200	+250	+400
Steel fittings*		●	●	●	●	●	●	●	●				
Stainless steel fittings (1.4571)	●	●	●	●	●	●	●	●	●	●	●	●	●
Sealing material NBR (e.g. Perbunan [®])			●	●	●	●	●	●					
Sealing material FPM (e.g. Viton [®])				●	●	●	●	●	●	●	●		
Sealing material POM (e.g. Delrin [®])		●	●	●	●	●	●						

● Permissible operating temperature

- If different fitting and sealing materials are used, the lowest specified temperature applies!
- Registered trademarks: Perbunan (Bayer), Viton (Chemours), Delrin (DuPont)
- Special materials on request.

At present, the manufacturers of the materials 11SMnPb30, 11SMn30, 11SMnPb30+C (or equivalent) according to DIN EN 10087 and DIN EN 10277-3 do not confirm cold resistance at temperatures of -40 °C. However, the practical experience of hose and tube-fitting manufacturers to date has not indicated any negative consequences.

Safety

The nominal pressure (PN) and operating pressure (PB) ratings of the fittings indicate the maximum permissible operating pressures, including pressure peaks. The information given under the "temperatures" and "pressure reductions" headings must be observed.

Under static load (up to 120 °C), the functional safety of fittings with PN ratings is 4-fold, and that of fittings with PB ratings is 2.5-fold or 1.5-fold. For ball valves, banjo fittings and swivel banjos, the specified safety properties must be taken into account. Strong pressure surges and mechanical stresses, such as vibrations, require special consideration.

The specified pressure and safety ratings are dependent on compliance with the Danfoss Waltech assembly instructions. An additional prerequisite is the stress-free installation of the tube assembly systems (a sufficient number of tube clamps must be used).

Note

At temperatures < -20 °C, the use of fittings made from free-cutting steel is at the discretion of the user.

Pressure reductions

Stainless steel 1.4571 can accommodate pressure reductions, depending on the temperature.
(DIN EN 10088-3, DIN EN 10216-5)

⚠ Caution: If different fitting and sealing materials are used, the lowest specified temperature applies!

Temperature	Pressure reduction
-60 °C to +20 °C	-
+50 °C	4.5 %
+100 °C	11 %
+200 °C	20 %
+300 °C	29 %
+400 °C	33 %

Technical information

Resistance to different media

B

The following table shows the compatibility of different elastomers and metals depending on the hydraulic fluid being used. This table is intended for use with Danfoss fittings and should not be used to determine compatibility with other products. It is intended for reference purposes only and does not constitute any warranty. The definitive selection of the correct materials for the seals and metal components depends on many additional factors, including pressure, ambient temperature, concentration, exposure time, etc.

How to use this table

1. When determining the suitability of a combination of materials for a fitting, both the elastomer and the metal must be considered.
2. Identify the hydraulic fluid and determine the suitability of the elastomer and metal components in accordance with the specified resistance ratings.
3. For the dimensions and operating data of each fitting component, please refer to the relevant catalog pages.
4. For information on the various sealing options for fittings and how to select them, see the relevant sections of this catalog.
5. Use the table above to determine the maximum operating temperature range of the elastomer you intend to use.
6. For more information on the products listed in this catalog and their applications, contact your Danfoss sales representative or Danfoss's Technical Support.

Resistance ratings

E = excellent - fluid has little or no effect

G = good - fluid has low to moderate effect

C = conditional - please consult Danfoss regarding the operating conditions to determine suitability for your application

U = unsatisfactory

The difference between the "E" and "G" ratings is relative, as both indicate satisfactory performance. Where there is a choice, the materials rated "E" can be expected to offer better or longer performance than those rated "G".

The following tables are for reference purposes only. This table contains information on material compatibility only and is not intended as an application guide.

Fluid Seal Metal	Elastomer		Metal	
	NBR (e.g. Perbunan®)	FPM (e.g. Viton®)	Steel	Stainless steel
Acetaldehyde	U	U	G	E
Acetic acid, 10 %	U	G	U	C
Acetic acid, glacial acetic acid	U	U	U	C
Acetone	U	U	E	E
Acetophenone	U	U	E	E
Acetyl acetone	U	U	U	C
Acetyl chloride	U	E	C	C
Acetylene (1)	G	E	E	E
Air, hot (up to +160 °F)	E	E	E	E
Air, hot (161 °F - 200 °F)	C	E	E	E
Air, hot (201 °F - 300 °F)	U	E	E	E
Air, wet (below 160 °F)	E	E	U	E
Aluminum chloride, 10 % aqueous	E	E	U	U
Aluminum fluoride, 10 % aqueous	E	E	U	U
Aluminum nitrate, 10 % aqueous	E	E	U	C

Fluid Seal Metal	Elastomer		Metal	
	NBR (e.g. Perbunan®)	FPM (e.g. Viton®)	Steel	Stainless steel
Aluminum sulfate, 10 % aqueous	E	E	U	C
Alums, 10 % aqueous	E	E	U	C
Ammonia, cold	E	U	E	E
Ammonia, hot	U	U	E	E
Ammonia, anhydrous	G	U	E	E
Ammonia, aqueous	E	U	E	E
Ammonium carbonate, 10 % aqueous	U	U	C	C
Ammonium chloride, 10 % aqueous	G	U	U	U
Ammonium hydroxide, 10 % aqueous	C	C	G	C
Ammonium nitrate, 10 % aqueous	E	U	G	G
Ammonium phosphate, 10 % aqueous	E	-	U	E
Ammonium sulfate/sulfide, 10 % aqueous	E	U	U	U
Amyl acetate	U	U	E	E
Amyl alcohol	G	G	G	U
Aniline, aniline oil	U	U	E	E

E = excellent
G = good
C = conditional
U = unsatisfactory

Fluid Seal Metal	NBR (e.g. Perbunan®)	FPM (e.g. Viton®)	Steel	Stainless steel
Aniline dyes	U	G	U	G
Asphalt, < 200 °F	G	E	E	E
IRM 901 oil	E	E	E	E
IRM 902 oil	E	E	E	E
IRM 903 oil	E	E	E	E
Automatic transmission fluid	E	E	E	E
Barium chloride, 10 % aqueous	E	E	U	G
Barium hydroxide, 10 % aqueous	E	E	G	G
Barium sulfide, 10 % aqueous	E	E	C	G
Benzene	U	E	G	E
Benzoic acid	U	E	U	G
Benzyl alcohol	U	E	E	E
Biodiesel (< B20)	G	E		
Biodiesel (> B20)	G	E		
Black sulfate liquor	C	E	E	E
Blast furnace gas	U	E	E	E
Borax, 10 % aqueous	G	E	E	E
Boric acid, 10 % aqueous	G	E	U	C
Brine	E	E	U	G
Bromine, dry	U	E	U	U
Butane	E	E	E	E
Butyl acetate	U	U	E	E
Butyl alcohol	E	E	G	G
Butyl Cellosolve	U	U	E	E
Butylene	C	E	E	E
Butyl stearate	G	E	G	G
Butyraldehyde	U	U	E	E
Calcium acetate, 10 % aqueous	G	U	G	G
Calcium bisulfate, 10 % aqueous	E	E	U	C
Calcium hydroxide, 10 % aqueous	E	E	G	G
Calcium hydroxide, 10 % aqueous	E	E	G	G
Calcium hypochlorite, 10 % aqueous	U	E	U	C
Calcium nitrate, 10 % aqueous	E	E	G	G
Carbitol	G	G	E	E
Carbolic acid	U	E	U	E
Carbonic acid	G	E	U	E
Carbon dioxide, dry	G	E	E	E
Carbon disulfide	U	E	G	G
Carbon monoxide	G	E	E	E
Carbon tetrachloride	U	E	U	G
Castor oil	E	E	E	E
Cellosolve acetate	U	U	U	E
China wood oil (tung oil)	G	E	E	E
Chlorine, dry	U	G	C	C
Chloroacetic acid	U	U	U	U
Chloroacetone	U	U	G	G
Chlorobenzene	U	G	G	G
Chloroform	U	E	G	G
O-chlorophenol	U	E	G	G
Chlosulfonic acid	U	U	G	G
Chrome plating solution	U	E	C	U

Fluid Seal Metal	NBR (e.g. Perbunan®)	FPM (e.g. Viton®)	Steel	Stainless steel
Chromic acid	U	E	C	U
Citric acid	E	E	C	C
Coke oven gas	U	E	E	E
Copper chloride, 10 % aqueous	E	E	U	U
Copper cyanide, 10 % aqueous	E	E	E	G
Copper sulfate, 10 % aqueous	E	E	U	G
Cotton seed oil	E	E	E	E
Creosote (coal tar)	G	E	E	E
Crude oil	E	E	G	G
Cyclohexanol	E	E	E	E
Cyclohexanone	U	U	E	E
Detergent/water solution	E	E	G	E
Diacetone alcohol (acetol)	U	U	E	E
Dibenzyl ether	U	U	G	G
Diesel oil	E	E	E	E
Diethylamine	G	U	E	E
Diethyl phthalate (DOP)	U	G	E	E
DOT #3/#4 brake fluid	C	U	E	E
Dowtherm A&E	U	E	G	E
Ethyl alcohol (ethanol)	E	E	E	E
Ethyl acetate	U	U	E	E
Ethyl benzene	U	E	E	G
Ethyl cellulose	G	U	E	G
Ethyl chloride	U	E	E	E
Ethylene dichloride	U	G	E	G
Ethylene glycol	E	E	U	E
Ferric chloride, 10 % aqueous	E	E	U	U
Ferric nitrate, 10 % aqueous	E	E	U	G
Ferric sulfate, 10 % aqueous	G	E	U	E
Formaldehyde	C	G	E	E
Formic acid	C	U	U	C
Fuel oil	E	E	E	E
Furfural	C	U	G	G
Gallic acid, solution	G	E	U	G
Gasoline	E	E	E	E
Gasohol	G	E	E	E
Glycerin/glycerol	E	E	E	E
Green sulfate liquor	G	E	U	E
Helium (1)	E	E	E	E
Heptane	E	E	E	E
Hexaldehyde	U	U	G	E
Hexane	E	E	E	E
Hydraulic oils, petroleum base	G	E	E	E
Ester blend	E	E	E	E
Phosphate ester/petroleum blend	U	C	E	E
Silicon oils	E	E	E	E
Straight petroleum base	E	E	E	E
Straight phosphate ester	U	C	E	E
Water glycol	E	E	E	E
Water-petroleum emulsion	E	E	C	E
Hydrobromic acid	U	E	E	E

Technical information

Resistance to different media

B

E = excellent
G = good
C = conditional
U = unsatisfactory

Fluid Seal Metal	NBR (e.g. Perbunan®)	FPM (e.g. Viton®)	Steel	Stainless steel
Hydrochloric acid, cold	U	E	U	U
Hydrocyanic acid	C	E	E	G
Hydrofluoric acid	U	U	U	U
Hydrofluorosilic acid	G	E	U	U
Hydrogen	E	E	E	E
Hydrogen peroxide	G	E	U	G
Hydrogen sulfide, dry	U	U	E	G
Isocyanate	U	E	G	G
Iso-octane	E	E	E	E
Isopropyl acetate	U	U	E	E
Isopropyl alcohol	G	E	E	E
Isopropyl ether	G	U	G	G
JP-4, JP-5	E	E	E	E
Kerosene	E	E	E	E
Lacquer/lacquer solvents	U	U	U	E
Lime sulfur	U	E	G	G
Linseed oil	E	E	E	E
LPG	E	E	E	E
Magnesium chloride, 10 % aqueous	E	E	E	C
Magnesium hydroxide, 10 % aqueous	G	E	E	E
Magnesium sulfate, 10 % aqueous	E	E	E	E
Maleic acid	U	E	E	G
Maleic anhydride	U	E	G	E
Malic acid	G	G	U	E
Mercury chloride	E	E	U	U
Mercury	E	E	E	E
Methanol	G	U	G	E
Methyl bromide	G	E	E	G
Methyl chloride	U	E	E	E
Methyl butyl ketone	U	U	E	E
Methyl ethyl ketone	U	U	G	G
Methylene chloride	U	G	G	G
Methyl isobutyl ketone	U	U	G	G
Methyl isopropyl ketone	U	U	G	G
Methyl salicylate	U	U	E	G
MIL-L-2104	E	E	E	E
MIL-H-5606	E	E	E	E
MIL-H-6083	E	E	E	E
MIL-L-7808	G	E	G	E
MIL-L-23699	G	E	E	E
MIL-H-46170	E	E	E	E
MIL-H-83282	E	E	E	E
Mineral oils	E	E	E	E
Naphtha	C	E	-	-
Naphthalene	U	E	E	E
Naphthenic acid	C	E	-	E
Natural gas	E	E	G	G
Nickel acetate, 10 % aqueous	C	G	G	E
Nickel chloride, 10 % aqueous	E	E	U	G
Nickel sulfate, 10 % aqueous	E	E	U	G
Nitric acid, up to 10 %	U	E	U	E

Fluid Seal Metal	NBR (e.g. Perbunan®)	FPM (e.g. Viton®)	Steel	Stainless steel
Nitric acid, above 10 %	U	E	U	E
Nitro benzene	U	G	E	E
Nitrogen	E	E	E	E
Octyl alcohol	E	E	E	E
Oleic acid	U	G	C	G
Oleum, fuming sulfuric acid	U	E	E	E
Ortho-dichlorobenzene	U	E	G	G
Oxalic acid, 10 % aqueous	G	E	U	C
Oxygen	-	E	G	G
Palmitic acid	E	E	G	E
Para-dichlorobenzene	U	E	G	G
Pentane	E	E	G	G
Perchloric acid	E	E	U	U
Perchloroethylene	U	E	C	G
Petroleum base oils	E	E	E	E
Phenol (carbolic acid)	U	E	U	E
Phosphate ester	U	C	E	E
Phosphoric acid, 20 %	U	E	U	U
Phosphorus trichloride	U	E	C	C
Potassium acetate, 10 % aqueous	G	U	C	C
Potassium chloride, 10 % aqueous	E	E	E	E
Potassium cyanide, 10 % aqueous	E	E	C	G
Potassium dichromate, 10 % aqueous	E	E	C	C
Potassium hydroxide, up to 10 %	G	G	G	G
Potassium hydroxide, above 10 %	C	U	G	G
Potassium nitrate, 10 % aqueous	E	E	G	E
Potassium sulfate, 10 % aqueous	E	E	-	-
Propane (liquefied)	C	E	E	E
Propyl acetate	U	U	E	E
Propyl alcohol	E	E	E	E
Propylene	U	E	E	E
Rapeseed oil (B100)	G	E		
Refrigerant R-12	G	E	E	E
Refrigerant R-13	G	E	E	E
Refrigerant R-22	U	U	E	E
Refrigerant R-134a	E	U	E	E
Sewage	E	E	G	G
Silicon oils	E	E	E	E
Soap (water solutions)	E	E	E	E
Sodium acetate, 10 % aqueous	G	U	E	G
Sodium bicarbonate, 10 % aqueous	E	E	G	E
Sodium borate, 10 % aqueous	E	E	E	E
Sodium carbonate, 10 % aqueous	E	E	E	E
Sodium chloride, 10 % aqueous	E	E	U	C
Sodium cyanide, 10 % aqueous	E	E	E	C
Sodium hydroxide, up to 10 %	U	E	C	C
Sodium hydroxide, above 10 %	U	E	C	C
Sodium hypochlorite, 10 % aqueous	C	C	U	U
Sodium metaphosphate, 10 % aqueous	E	E	E	G
Sodium nitrate, 10 % aqueous	G	-	E	E
Sodium perborate, 10 % aqueous	G	E	C	C

E = excellent
 G = good
 C = conditional
 U = unsatisfactory

Fluid Seal Metal	NBR (e.g. Perbunan®)	FPM (e.g. Viton®)	Steel	Stainless steel
Sodium peroxide, 10 % aqueous	G	E	U	C
Sodium phosphates, 10 % aqueous	E	E	U	G
Sodium silicate, 10 % aqueous	E	E	E	E
Sodium sulfate, 10 % aqueous	E	E	C	G
Sodium sulfide, 10 % aqueous	E	E	C	C
Sodium thiosulfate, 10 % aqueous	G	E	U	C
Soy bean oil (B100)	E	E	E	E
Stannic chloride	E	E	U	U
Steam (up to 388 °F)	U	C	E	E
Stearic acid	G	E	C	E
Stoddard solvent	E	E	E	E
Styrene	U	G	E	E
Sulfur, slurry	U	E	E	G
Sulfur chloride, wet	U	E	G	G
Sulfur dioxide, dry	U	E	E	G
Sulfur trioxide	U	E	G	G
Sulfuric acid, up to 10 %	U	E	U	C
Sulfuric acid, above 10 %	U	G	C	G
Sulfurous acid	C	G	U	C
Tannic acid	G	E	E	E
Tar (bituminous)	G	E	E	E

Fluid Seal Metal	NBR (e.g. Perbunan®)	FPM (e.g. Viton®)	Steel	Stainless steel
Tartaric acid	E	E	U	C
Tertiary butyl alcohol	G	E	G	G
Titanium tetrachloride	C	E	E	G
Toluene (toluol)	U	E	E	E
Trichloroethylene	U	E	E	E
Tricresyl phosphate	U	G	E	C
Triethanolamine	E	U	E	E
Tung oil	G	E	E	E
Turpentine	G	E	G	G
Varnish	G	E	E	E
Vinyl chloride	U	E	E	C
Water (up to +150 °F)	E	E	C	E
Water (+151 °F to +200 °F)	E	E	C	E
Water (+201 °F to +350 °F)	U	G	C	E
Water glycol	E	E	E	E
Water-petroleum emulsion	E	E	C	E
Xylene	U	E	E	E
Zinc chloride, 10 % aqueous	E	E	E	U
Zinc sulfate, 10 % aqueous	E	E	U	G

Technical information

Calculated pressures and tolerances of seamless precision-steel tubes

The use of tube inserts is recommended for thin-walled tube assemblies that are subject to severe stress.

B

Calculation to DIN 2413, scope of application I, for primarily static load conditions at temperatures up to 120 °C		
Material	Steel St E235	Stainless steel 1.4571
Calculation to DIN 2413 (1993-10), scope of application I, for primarily static load conditions at temperatures up to 120 °C		
Yield point/Rp1.0:	235 N/mm ² (DIN EN 10305-4)	245 N/mm ² (DIN EN 10216-5)
Design factor:	1.5	1.5
Allowance factor c1:	10 % of wall thickness	10 % of wall thickness
Allowance factor c2:	0 (no corrosion allowance)	0 (no corrosion allowance)
Calculation to DIN 2413, scope of application III, pulsating load conditions at temperatures up to 120 °C		
Pulsating fatigue limit:	225 N/mm ² see DIN 2413, 4.2.3	190 N/mm ² Assumed value
Allowance factor c1:	10 % of wall thickness	10 % of wall thickness

In case of problems or where other tube materials are involved, please consult our application engineers and the tube manufacturer.

⚠ Caution: At temperatures above 20 °C, the pressure reductions for tube material 1.4571 indicated on page B6 apply.

Calculated pressures and tolerances of seamless precision-steel tubes

We recommend the use of seamless precision-steel tubes according to DIN EN 10305-4, materials E235 and E355. For stainless steel tubes, we recommend the use of seamless, cold-drawn, bright-annealed tube made of X6CrNiMoTi17-12-2 (1.4571), type CFA according to DIN EN ISO 10216-5, with dimensions and tolerances according to DIN EN ISO 10305-4.

B

Outer diameter	Tolerance	Wall thickness	E235		Stainless steel 1.4571	
			*Calculated pressure I	Calculated pressure III	Calculated pressure I	Calculated pressure III
mm	mm	mm	bar	bar	bar	bar
6	±0.08	1.0	409	391	426	330
6	±0.08	1.5	576	551	600	465
8	±0.08	1.0	353	303	368	256
8	±0.08	1.5	452	433	472	366
8	±0.08	2.0	576	551	600	465
10	±0.08	1.0	282	248	294	209
10	±0.08	1.5	373	357	389	301
10	±0.08	2.0	478	458	498	386
10	±0.08	2.5	576	551	600	465
10	±0.08	3.0	666	638	694	539
12	±0.08	1.0	235	209	245	177
12	±0.08	1.5	353	303	368	256
12	±0.08	2.0	409	391	426	330
12	±0.08	2.5	495	474	516	400
12	±0.08	3.0	576	551	600	465
12	±0.08	3.5	651	624	679	527
15	±0.08	1.5	282	248	294	209
15	±0.08	2.0	336	321	350	271
15	±0.08	2.5	409	391	426	330
15	±0.08	3.0	478	458	498	386
16	±0.08	2.0	353	303	368	256
16	±0.08	2.5	386	370	403	312
16	±0.08	3.0	452	433	472	366
16	±0.08	3.5	515	493	537	417
16	±0.08	4.0	576	551	600	465
18	±0.08	1.5	235	209	245	177
18	±0.08	2.0	313	273	327	230
18	±0.08	2.5	348	333	363	281
18	±0.08	3.0	409	391	426	330
20	±0.08	2.0	282	248	294	209
20	±0.08	2.5	353	303	368	256
20	±0.08	3.0	373	357	389	301
20	±0.08	3.5	426	408	444	345
20	±0.08	4.0	478	458	498	386
22	±0.08	1.5	192	173	200	146
22	±0.08	2.0	256	227	267	192
22	±0.08	2.5	320	278	334	235
22	±0.08	3.0	343	328	357	277
22	±0.08	3.5	392	376	409	317
25	±0.08	2.0	226	201	235	170
25	±0.08	2.5	282	248	294	209
25	±0.08	3.0	338	292	353	247
25	±0.08	4.0	394	378	411	319
25	±0.08	4.5	437	418	455	353
25	±0.08	5.0	478	458	498	386
28	±0.08	2.0	201	181	210	153
28	±0.08	2.5	252	223	263	188
28	±0.08	3.0	302	264	315	223
28	±0.08	3.5	353	303	368	256
28	±0.08	4.0	357	342	372	289
28	±0.08	5.0	434	415	452	351

Technical information

Calculated pressures and tolerances of seamless precision-steel tubes

B

Outer diameter	Tolerance	Wall thickness	E235		Stainless steel 1.4571	
			*Calculated pressure I	Calculated pressure III	Calculated pressure I	Calculated pressure III
mm	mm	mm	bar	bar	bar	bar
30	±0.08	2.0	188	170	196	143
30	±0.08	2.5	235	209	245	177
30	±0.08	3.0	282	248	294	209
30	±0.08	3.5	329	285	343	241
30	±0.08	4.0	336	321	350	271
30	±0.08	5.0	409	391	426	330
30	±0.08	6.0	478	458	498	386
35	±0.15	2.0	161	147	168	124
35	±0.15	2.5	201	181	210	153
35	±0.15	3.0	242	215	252	181
35	±0.15	3.5	282	248	294	209
35	±0.15	4.0	322	280	336	236
35	±0.15	5.0	357	342	372	289
35	±0.15	6.0	419	401	437	339
38	±0.15	2.5	186	168	193	142
38	±0.15	3.0	223	199	232	168
38	±0.15	3.5	260	230	271	194
38	±0.15	4.0	297	260	309	219
38	±0.15	5.0	332	318	346	268
38	±0.15	6.0	390	373	406	315
38	±0.15	7.0	446	427	465	360
42	±0.20	2.0	134	123	140	104
42	±0.20	2.5	168	153	175	129
42	±0.20	3.0	201	181	210	153
42	±0.20	3.5	235	209	245	177
42	±0.20	4.0	269	237	280	200
48.3	±0.20	3.2	187	169		
50	±0.20	2.5	141	129		
50	±0.20	3.0	169	154		
50	±0.20	5.0	282	248		
50	±0.20	6.0	338	292		
50	±0.20	8.0	394	378		
60	±0.25	3.0	141	129		
60	±0.25	6.0	282	248		
60	±0.25	8.0	336	321		
60	±0.25	10.0	409	391		
60.3	±0.25	3.6	168	153		
60.3	±0.25	5.6	262	231		
60.3	±0.25	8.0	334	320		
60.3	±0.25	10.0	407	390		

*Calculated pressure I = static load *Calculated pressure III = pulsating load

Metric ISO thread (parallel) DIN 13
Stud type B

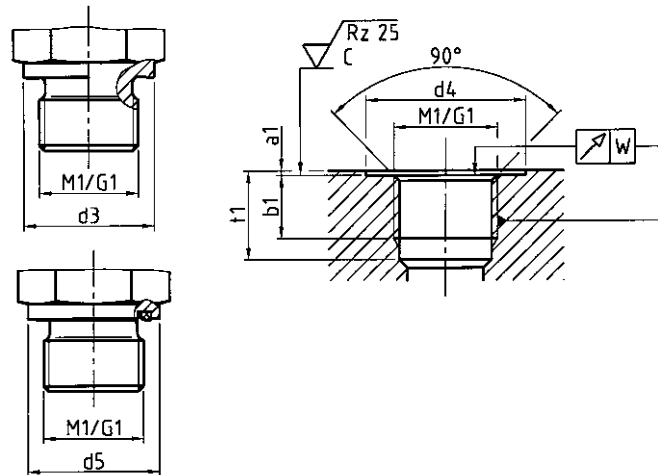
- DIN EN ISO 9974-3 (metric)
- DIN EN ISO 1179-3 (BSP thread)
- With metal-to-metal seal

Stud type E

- ISO 9974-2 (metric)
- DIN EN ISO 1179-2 (BSP thread)
- With soft seal (WD)

Port type X, Y

- DIN 3852-1 / ISO 9974-1 (metric)
- DIN 3852-2 / DIN EN ISO 1179-1 (BSP thread)
- (For parallel threads)


B

M ₁	d ₃	d ₄ ^{+0.4}	d ⁵	a _{1 max.}	b _{1 min.}	t _{1 min.}	Ø* LL	Ø* L	Ø* S	W
M 8 x 1	12	13	12	1	8	13.5	3.5	-	-	0.1
M 10 x 1	14	15	13.9	1	8	13.5	5	4	-	0.1
M 12 x 1.5	17	18	16.9	1.5	12	18.5	-	6	4	0.1
M 14 x 1.5	19	20	18.9	1.5	12	18.5	-	7	5	0.1
M 16 x 1.5	21	22	21.9	1.5	12	18.5	-	9	7	0.1
M 18 x 1.5	23	24	23.9	2	12	18.5	-	11	8	0.1
M 20 x 1.5	25	26	25.9	2	14	20.5	-	-	10	0.1
M 22 x 1.5	27	28	26.9	2.5	14	20.5	-	14	12	0.1
M 26 x 1.5	31	32	31.9	2.5	16	22.5	-	18	-	0.2
M 27 x 2	32	33	31.9	2.5	16	24	-	-	16	0.2
M 33 x 2	39	40	39.9	2.5	18	26	-	23	20	0.2
M 42 x 2	49	50	49.9	2.5	20	28	-	30	25	0.2
M 48 x 2	55	56	54.9	2.5	22	30	-	36	32	0.2

M ₁	d ₃	d ₄ ^{+0.4}	d ⁵	a _{1 max.}	b _{1 min.}	t _{1 min.}	Ø* LL	Ø* L	Ø* S	W
G 1/8A**	14	15	13.9	1	8	13	5	4	-	0.1
G 1/4A**	18	19	18.9	1.5	12	18.5	-	7	5	0.1
G 3/8A**	22	23	21.9	2	12	18.5	-	9	8	0.1
G 1/2A**	26	27	26.9	2.5	14	22	-	14	12	0.1
G 3/4A**	32	33	31.9	2.5	16	24	-	18	16	0.2
G 1A**	39	40	39.9	2.5	18	27	-	23	20	0.2
G 1 1/4A**	49	50	49.9	2.5	20	29	-	30	25	0.2
G 1 1/2A**	55	56	54.9	2.5	22	31	-	36	32	0.2

*Stud hole. Special designs may have different holes.

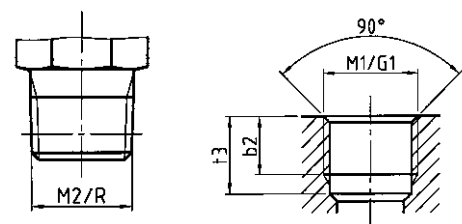
**A does not apply to female threads.

Metric ISO thread (parallel) DIN 13
Stud type C

- DIN 3852-1 (metric)
- DIN 3852-2 (BSP thread)
- With taper thread seal

Port type Z

- DIN 3852-1 (metric)
- DIN 3852-2 (BSP thread)
- (Only for taper threads)**



M ₂	b _{2 min.}	t _{3 min.}
M 8 x 1 taper	5.5	10
M 10 x 1 taper	5.5	10
M 12 x 1.5 taper	8.5	13.5
M 14 x 1.5 taper	8.5	13.5
M 16 x 1.5 taper	8.5	13.5
M 18 x 1.5 taper	8.5	13.5
M 20 x 1.5 taper	10.5	15.5
M 22 x 1.5 taper	10.5	15.5

R	b _{2 min.}	t _{3 min.}
R 1/8 taper	5.5	9.5
R 1/4 taper	8.5	13.5
R 3/8 taper	8.5	13.5
R 1/2 taper	10.5	16.5

***Caution: Additional sealing material required!

Technical information

Stud and port types

Metric ISO thread (parallel) DIN 13 UNF/UN thread ISO 725 / ANSI B1.1-1974

B

Stud (metric)

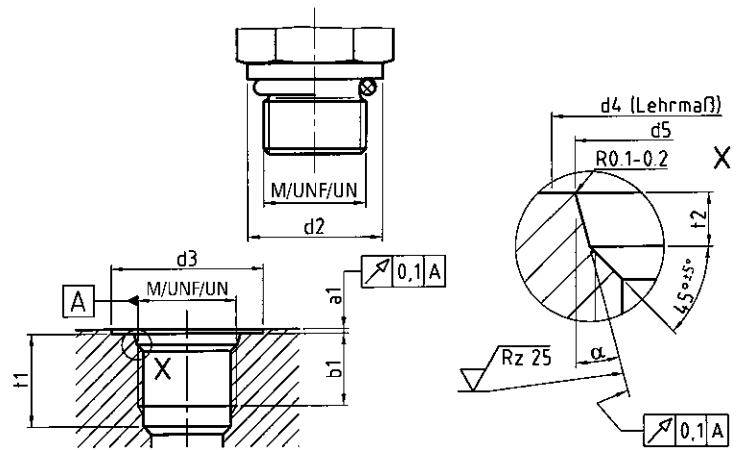
- With O-ring seal
- DIN EN ISO 6149-2 and -3

UST stud

- With O-ring seal
- ISO 11926-2 and -3

Port (metric)

- For O-ring seal
DIN EN ISO 6149-1
- ISO 11926-1 (UST)



M	d ₂	d _{3 min.}	d ₄	d _{5+0.4}	a _{1 max.}	t ₂	t _{1 min.}	b _{1 min.}	a _{±1°}
M 8 x 1	10.9	17	11	9.1	1	1.6	11.5	10	12°
M 10 x 1	12.9	20	13	11.1	1	1.6	11.5	10	12°
M 12 x 1.5	16.9	22	16	13.8	1.5	2.4	14	11.5	15°
M 14 x 1.5	18.9	25	18	15.8	1.5	2.4	14	11.5	15°
M 16 x 1.5	20.9	27	20	17.8	1.5	2.4	15.5	13	15°
M 18 x 1.5	22.9	29	22	19.8	2	2.4	16.5	14.5	15°
M 20 x 1.5	24.9	32	24	21.8	2	2.4	16.5	14	15°
M 22 x 1.5	26.9	34	26	23.8	2	2.4	18	15.5	15°
M 26 x 1.5	30.9	37	31	29.05	2	3.1	18.5	16	15°
M 27 x 2	31.9	40	32	29.4	2	3.1	22	19	15°
M 33 x 2	37.9	46	38	35.4	2.5	3.1	22	19	15°
M 42 x 2	47.9	56	47	44.4	2.5	3.1	22.5	19.5	15°
M 48 x 2	54.9	64	53	50.4	2.5	3.1	25	22	15°

UNF/UN	d ₂	d _{3 min.}	d ₄	d _{5+0.4}	a _{1 max.}	t ₂	t _{1 min.}	b _{1 min.}	a _{±1°}
7/16 - 20 UNF	14.4	21	15	12.4	1.6	2.4	14	11.5	12°
9/16 - 18 UNF	17.6	25	18	15.6	1.6	2.5	15.5	12.7	12°
3/4 - 16 UNF	22.3	30	23	20.6	2.4	2.5	17.5	14.3	15°
7/8 - 14 UNF	25.5	34	26	23.9	2.4	2.5	20	16.7	15°
11/16 - 12 UN	31.9	41	32	29.2	2.4	3.3	23	19	15°
15/16 - 12 UN	38.2	49	39	35.5	3.2	3.3	23	19	15°
15/8 - 12 UN	47.7	58	48	43.5	3.2	3.3	23	19	15°
M 48 x 2	54.9	64	53	50.4	2.5	3.1	25	22	15°

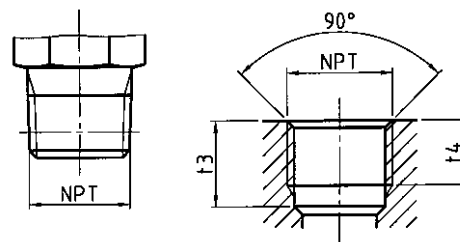
NPT thread = ANSI/ASME B1.20.1 - 1983

Stud

- NPT
- ANSI/ASME
- B1.20.1-1983

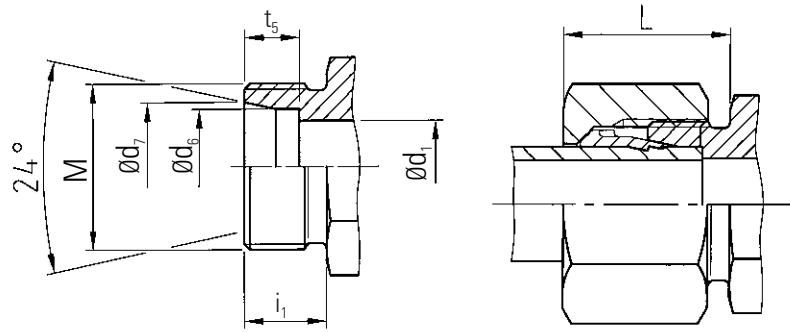
Port

- NPT
- ANSI/ASME
- B1.20.1-1983



d _{1 NPT}	t _{3 min.}	t _{4 min.}
1/8 - 27 NPT	11.6	6.9
1/4 - 18 NPT	16.4	10.0
3/8 - 18 NPT	17.4	10.3
1/2 - 14 NPT	22.6	13.6
3/4 - 14 NPT	23.1	14.1
1 - 11.5 NPT	27.8	16.8
1 1/4 - 11.5 NPT	28.3	17.3
1 1/2 - 11.5 NPT	28.3	17.3

Stud and tube connection according to DIN EN ISO 8434-1


B

Series	Tube outer diameter	M	Ød ₁	Ød ₆	Ød ₇	i ₁	L	t ₅
LL	4	M 8 x 1	3	4	5	8	14	4
	6	M 10 x 1	4.5	6	7.5	8	14	5.5
	8	M 12 x 1	6	8	9.5	9	15	5.5
L	6	M 12 x 1.5	4	6	8.1	10	18	7
	8	M 14 x 1.5	6	8	10.1	10	18	7
	10	M 16 x 1.5	8	10	12.3	11	19	7
	12	M 18 x 1.5	10	12	14.3	11	19	7
	15	M 22 x 1.5	12	15	17.3	12	20	7
	18	M 26 x 1.5	15	18	20.3	12	21	7.5
	22	M 30 x 2	19	22	24.3	14	23	7.5
	28	M 36 x 2	24	28	30.3	14	23	7.5
	35	M 45 x 2	30	35.3	38	16	27	10.5
42	M 52 x 2	36	42.3	45	16	28	11	
S	6	M 14 x 1.5	4	6	8.1	12	20	7
	8	M 16 x 1.5	5	8	10.1	12	20	7
	10	M 18 x 1.5	7	10	12.3	12	21	7.5
	12	M 20 x 1.5	8	12	14.3	12	21	7.5
	14	M 22 x 1.5	10	14	16.3	14	24	8
	16	M 24 x 1.5	12	16	18.3	14	24	8.5
	20	M 30 x 2	16	20	22.9	16	27	10.5
	25	M 36 x 2	20	25	27.9	18	30	12
	30	M 42 x 2	25	30	33	20	33	13.5
38	M 52 x 2	32	38.3	41	22	37	16	

Technical information

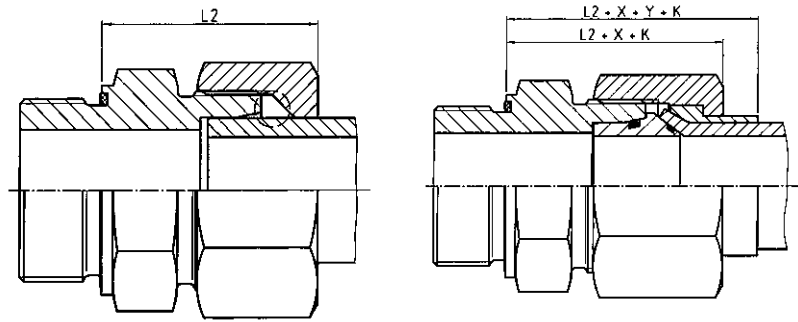
Length correction table

For all parts, L2 indicates the approximate length if the union nut is tightened. In the catalog, this value always refers to an assembled profile-ring or Walform fitting.

B

Lengths of BO tube assemblies

For flare fittings, L2 must be calculated for each size by adding the X value (see table 1: X/Y value) and the correction factor K (see table 2: correction factor), which depends on the wall thickness of the tube. To determine the linear length until the end of the sleeve, the Y value also has to be added.



Example: GES 15 LM-WD with tube 15x2 correction factor = +1

$$L2 + X + K = 29 + 6.5 + 1 = 36.5$$

$$L2 + X + Y + K = 29 + 6.5 + 4 + 1 = 40.5$$

The dimensions marked • in the following length correction table indicate the tube wall thickness on which the lengths in the lists of dimensions are based. For other tube wall thicknesses, the overall lengths must be modified by means of the correction factor specified in the table.

Table 1

X/Y values

Series	Tube outer diameter	X value	Y value
L	6	3	3
	8	3.5	3
	10	5	4.5
	12	5.5	4.5
	15	6.5	4
	18	7	3.5
	22	8	6.5
	28	9.5	5.5
	35	8.5	6
	42	11.5	6
S	6	2.5	3
	8	3.5	3
	10	4	5.5
	12	4.5	5.5
	14	5	4.5
	16	6.5	6
	20	6	5.5
	25	7	7.5
	30	6.5	8.5
	38	6.5	10.5

Table 2

Tube wall thickness correction factor

Series	Tube outer diameter	1	1.5	2	2.5	3	3.5	4	5	6
L	6	•	+1							
	8	•	+1	+1.5						
	10	-1	•	+1						
	12	-1	•	+1						
	15		•	+1	+2					
	18		-1	•	+1					
	22		-1	•	+1	+1.5				
	28			-1.5	-0.5	•				
	35			-1.5	-1	•		+1.5		
	42			-1.5		•				
S	6	•	+1							
	8	•	+1	+1.5						
	10	-1	•	+1						
	12	-1	•	+1						
	14		-0.5	•	+1	+2				
	16		-1	•	+0.5	+1.5				
	20			•	+1	+2	+3			
	25			-1.5	-1	•		+1.5		
	30			-2	-1	•		+2	+3.5	
	38				0.5	•		+1.5	+3.5	+5

Overview of the applicable standards for tube fitting systems

	Profile-ring fittings	37° flare fittings	Taper seal/welding nipple fittings
Fitting body	DIN 2353 DIN EN ISO 8434-1		DIN EN ISO 8434-1, DIN 3946
Components	DIN 3861, DIN 3870, DIN EN ISO 8434-1	DIN 3949	DIN EN ISO 8434-4
Tube connection	DIN 3861 DIN EN ISO 8434-1		
Stud	Metric	DIN 3852-1 DIN EN ISO 9974-2 and -3 DIN ISO 6149-2 and -3	
	In inches	DIN 3852-2 DIN EN ISO 1179-2 and -4	
	UN/UNF	ISO 11926-2 and -3	
	NPT	ANSI/ASME B 1.20.1-1983	
Technical specifications	DIN 3859-1		
Tests	DIN EN ISO 8434-1, DIN EN ISO 19879		
Assembly	DIN 3859-2		

B

	SAE 37° flared-flange system
Version	Hole pattern to SAE J518 ISO 6162

Tube specification

Seamless, cold-drawn, normalized (+N or NBK) hydraulic tubes, calculated pressure to DIN 2413

Material	Specifications	Dimensions/tolerances	Compatibility with tube-fitting systems								
			Walpro	Walpro-X	Walform	Walform-M	WalringPlus®	WalringPlus-SR	WalringPlus-M	37° flare fittings	37° flared flange
St37.4 (1.0255) to DIN 1630 (1984-10)*	DIN 2391-1 (1994-09) C		●	●	●	●	●	●	●	●	●
St52.4 (1.0581) to DIN 1630 (1984-10)*	DIN 2391-1 (1994-09) C		●	●	●	●	●	●	●	●	●
E235 (1.0308)	DIN EN 10305-4		●	●	●	●	●	●	●	●	●
E355 (1.0580)	DIN EN 10305-4		●	●	●	●	●	●	●	●	●
X6CrNiMoTi17-12-2-(1.4571) cold- finished*	DIN 17458 (1985-07) version m	DIN 2391-1 (1994-09)	●	●	●	●	●		●	●	●
X6CrNiMoTi17-12-2-(1.4571) cold- finished	DIN EN 10216-5 Version CFA	DIN EN 10305-4	●	●	●	●	●		●	●	●

*The dated standards have been withdrawn. This ordering information is therefore obsolete.

C

Assembly instructions



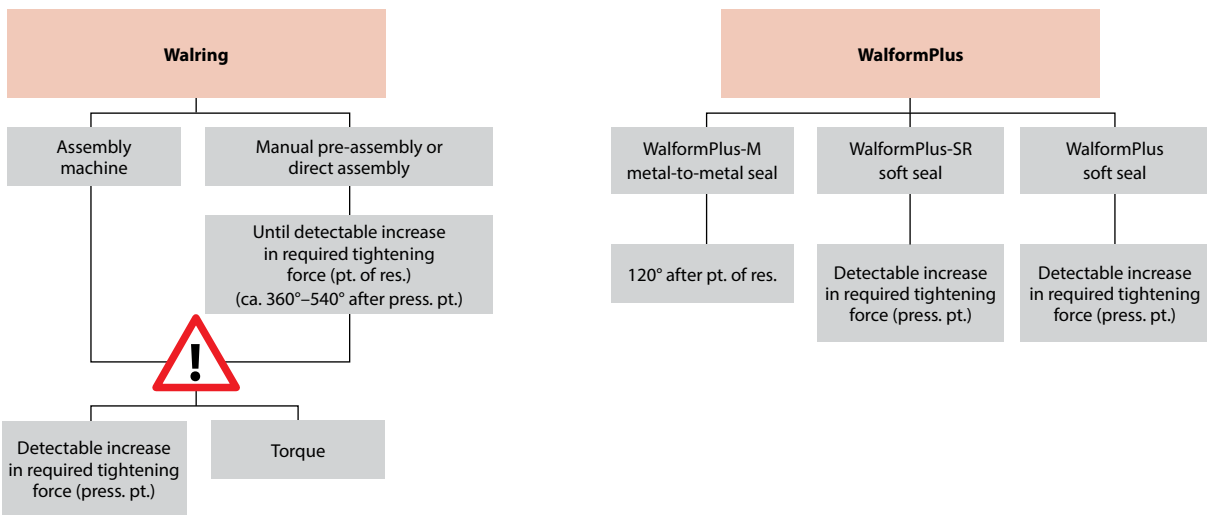
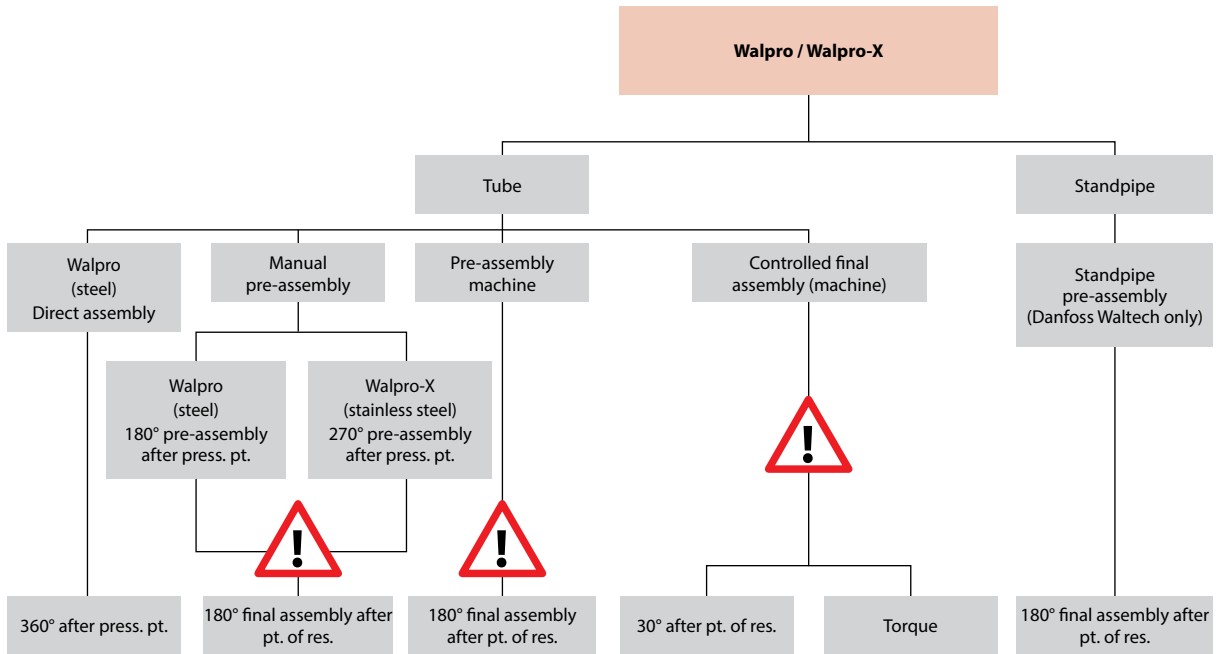
Assembly types	3
Safety instructions	5
Assembly instructions for Danfoss Waltech Walpro	6
Assembly instructions for Danfoss Waltech Walring	12
Assembly instructions for Danfoss Waltech WalformPlus	18
Assembly instructions for Danfoss Waltech WalformPlus-SR	23
Assembly instructions for Danfoss Waltech WalformPlus-M	27
Assembly instructions for 37° flare tube fittings	31
Assembly instructions for 37° flared-flanges to SAE J518 / ISO 6162	37
Assembly instructions for welding-nipple fittings to DIN 3865	43
Assembly instructions for taper-seal fittings	45
Assembly instructions for standpipe fittings	46
Assembly instructions for adjustable fittings	47
Tightening torques for steel studs to DIN 3852	48
Instructions for tube bending	49
Installation guidelines for tube assemblies	54



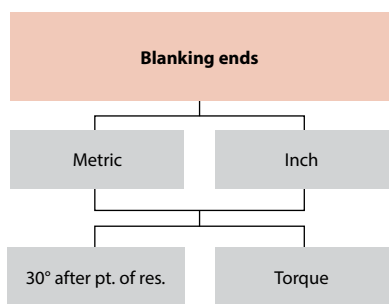
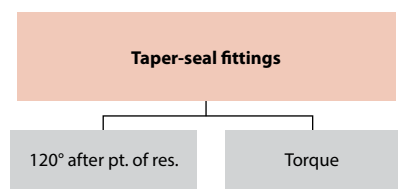
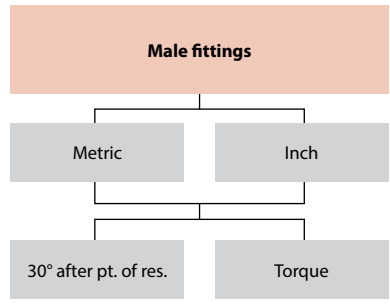
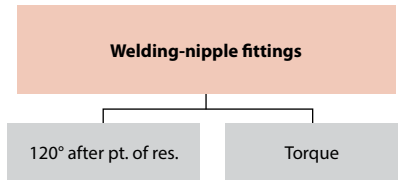
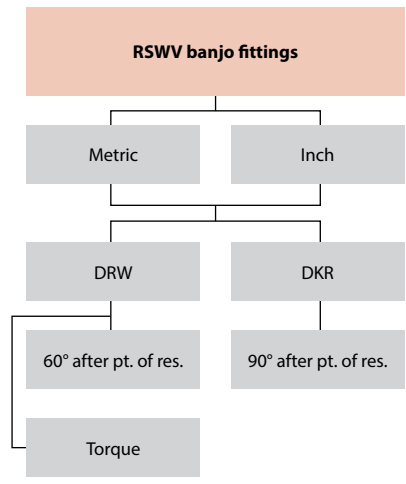
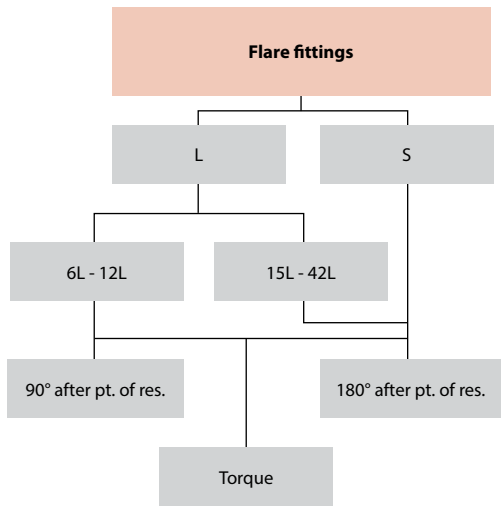
C



In the case of cutting-ring fittings, the cut must always be checked (a clearly visible raised collar should form in front of the first cutting edge).



after press. pt. = after pressure point
 after pt. of res. = after point of resistance
 after man. tight. = after manual tightening



after pt. of res. = rotation after point of resistance
 after press. pt. = rotation after pressure point

Safety instructions

To ensure a permanent, secure and leakage-free connection, the following safety instructions must be observed.

C

General safety instructions

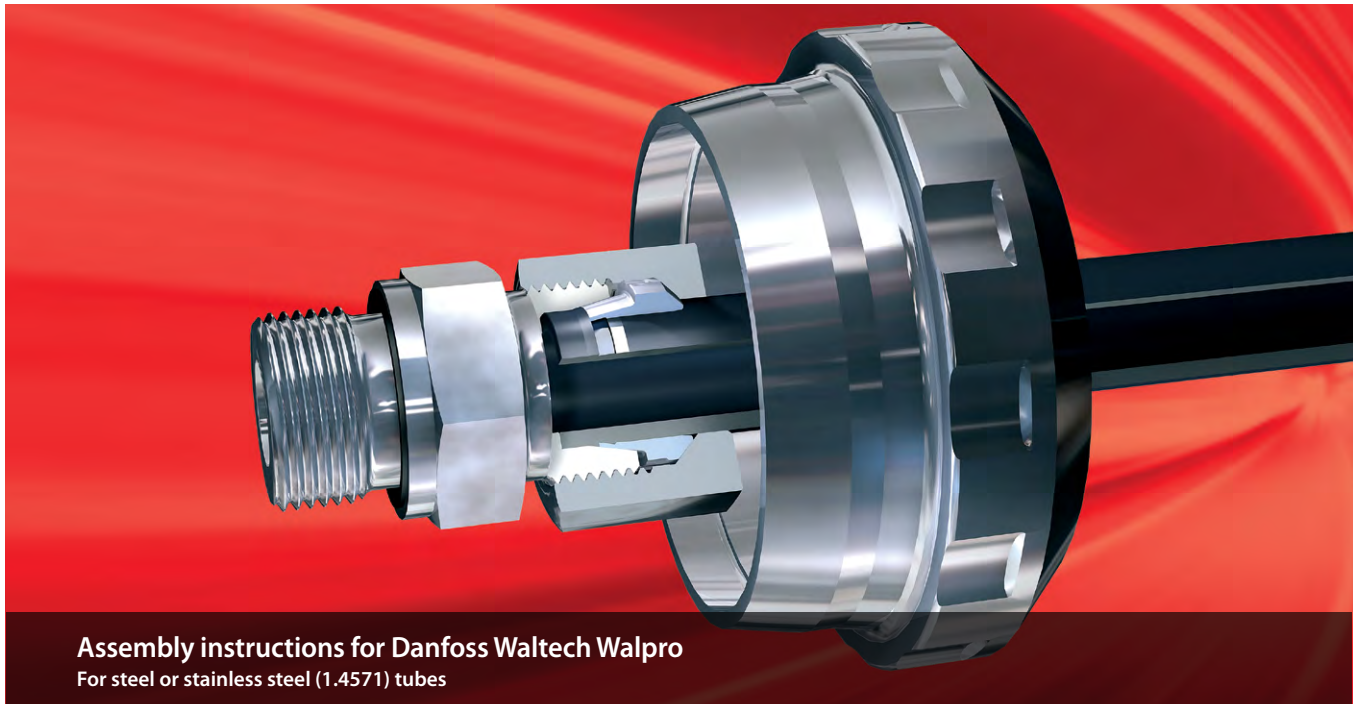
- 1 Danfoss Waltech tube fittings are designed for fluid applications.
- 2 The permissible pressure and temperature ranges and other operating conditions must be observed.
- 3 Materials or tolerances that deviate from the recommended tube specifications may result in incorrect installation or total failure of the fitting.
- 4 Only fittings that have been correctly installed are able to sustain continuous pressure and vibration loads. Incorrect installation may result in leakage or failure.
- 5 Fittings that are under pressure must never be bled, loosened or retightened. There is a danger to life.
- 6 Tubes may only be attached at suitable fixed points and not to one another. Cable ties or steel clamps are not suitable for this purpose. Tubes may not be used as supports for filters, fans, valve blocks, etc.
- 7 Vibrations must be absorbed by means of suitable tube supports. Systems that vibrate independently of one another must be isolated by means of hoses. Otherwise, tube breaks may occur.
- 8 If tube assemblies are dismantled, transported and re-assembled, care must be taken to protect the fittings against dirt. Threads and seals must not be damaged and the tubes must not be bent. Care must be taken to prevent the seals from being lost or damaged, for example by means of suitable protective caps.
- 9 Disassembled fittings must be checked for dimensional accuracy and damage and replaced if necessary.
- 10 Hand-held cut-off saws or other inappropriate tools must not be used for cutting tubes.
- 11 Dirt and chips may lead to system malfunctions or leakage.
- 12 Flow velocities > 8m/s will exert excessive forces on bent tube assemblies and can cause damage. Such velocities should therefore be avoided.
- 13 The relevant guidelines (BG, TÜV, DIN etc.) must always be followed.
- 14 Only weld fittings are made of weldable material.
- 15 Tube fittings must not be handled like bulk material.
- 16 The prescribed tools and machines must be used to reshape the flare fittings and the Walform tube fittings. These must be suitable for the respective materials and dimensions! Failure to do so may damage the machines, cause tools or tubes to break or lead to leakage.
- 17 The control diameters of flare and Walform fittings must be true to size and the sealing surfaces must be in perfect condition.



Safe assembly

- 1 When installing Walpro / Walpro-X and Walring fittings, the face end of the tube must always be in contact with the tool or the tube stop of the fitting stud. Otherwise the ring will not cut properly into the tube, which may cause the tube to slip out unexpectedly if exposed to stress.
- 2 The final assembly of pre-assembled Walpro / Walpro-X and Walring fittings must be carried out according to the instructions.
- 3 After each time the fitting is disassembled, the union nut must be retightened with the same amount of force as during initial assembly. Incorrect assembly may significantly reduce the pressure strength and vibration resistance of the fitting or lead to total failure.
- 4 Once assembled, tube connections and fitting bodies form a single unit. Fitting bodies should only be used for pre-assembly once.
- 5 During assembly, the tube assemblies must not be subjected to any stress. The union nut must always be easy to turn. Otherwise, leakage or tube breaks may occur.
- 6 The tools, equipment and lubricants recommended by Danfoss Waltech ensure safe assembly. Before using other manufacturers' products, their suitability must first be checked.
- 7 The specified torque values are only valid under the conditions stated in the assembly instructions. If parts have been damaged or the tubes are subjected to stress during installation, the torque values may vary considerably.
- 8 The threads and possible contact surfaces of stainless steel fittings must be sufficiently lubricated using Danfoss Waltech ABF grease (anti-block grease). Failure to do so will normally increase the amount of tightening force required, which may cause leakage or even sudden failure.
- 9 Stainless steel cutting rings must be pre-assembled using hardened pre-assembly tools. Failure to do so may cause sudden failure.
- 10 If pre-assembly tools are used to pre-assemble the Walpro / Walpro-X or Walring fittings, the appropriately marked Danfoss Waltech original tools must be used.
- 11 The respective operating instructions of the assembly/reshaping machines or hand-held tools must be observed.

If you are in any doubt, please contact an Danfoss Waltech tube fittings representative.



Assembly instructions for Danfoss Waltech Walpro For steel or stainless steel (1.4571) tubes

Tube selection

The pressure strength specifications refer to the following tube grades:

Steel

Material: E235 / E355, to EN 10305-4 (formerly St. 37.4 / 52.4 to DIN 1630). Type: Seamless cold-drawn, normalized bright annealed steel, designation NBK as per DIN EN 10305-4.

Stainless steel

Material: X6CrNiMoti17122 (1.4571) to DIN EN 102165 Type: Seamless cold-drawn, scale-free, heat-treated stainless steel, designation CFA as per DIN EN 10216-5 (formerly DIN 17458). Dimensions and tolerances to DIN EN 10305-4 (formerly DIN 2391-1). Additional stainless steel grades are available on request.

Calculated pressures: DIN 2413

⚠ Caution: Materials or tolerances that deviate from the recommended tube specifications may result in incorrect installation, tool break or total failure of the fitting.

⚠ Caution: The specified nominal pressure ratings always refer to the fitting. For tube pressure ratings, see the specifications of the respective manufacturers.

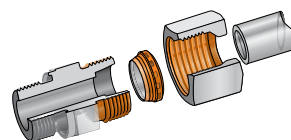
Note: In order to ensure the proper functioning of the assembly process, Walpro fittings (steel) should always be pre-assembled using an oiled pre-assembly stud, and Walpro-X fittings (stainless steel 1.4571) should always be pre-assembled using a pre-assembly stud lubricated with Danfoss Waltech ABF grease (anti-block grease). Direct assembly is only possible in the case of Walpro steel fittings.

Controlled final assembly can only be carried out using original Danfoss Waltech parts. Assembly can only be carried out with final assembly studs marked "GE".



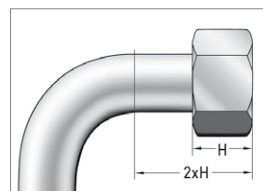
Danfoss Waltech ABF grease (anti-block grease) Stainless steel (1.4571)

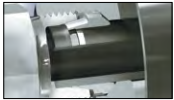
Application: Prior to assembly, the fittings must be thoroughly cleaned and the threads in particular checked for damage. All contact surfaces must be sufficiently coated with Danfoss Waltech ABF grease (anti-block grease) using a brush or a lint-free cloth. After greasing, the fittings must be immediately assembled to prevent contamination. For best results, use Danfoss Waltech stainless steel nuts with silver-plated threads (AG/AGP) plus Danfoss Waltech ABF grease (anti-block grease).



Minimum length of straight tube ends in the case of tube bends

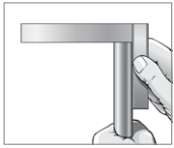
In the case of tube bends, the straight tube end up to the beginning of the bending radius must be at least twice the height of the union nut (depending on the machine type).





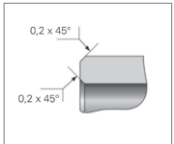
Direct assembly
inside the fitting stud (only for the Walpro steel version)

C



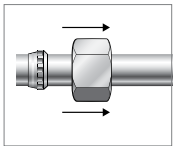
1. Cut the tube at a right angle

Cut off the tube at least 10 mm from the manufacturer's cut-off (this is a common source of error due to delivery conditions). Cut the tube at a right angle; an angular deviation of 1/2° from the tube axis is permissible. Do not use pipe cutters or cut-off saws, as these will result in pronounced burring or diagonal cuts. Use a sawing machine or similar equipment.

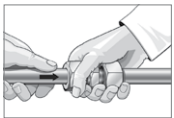


2. Gently deburr the tube ends and clean the tube

Deburr the inside and outside of the tube (max. 0.2 x 45°) and clean it. The part of the tube where the fitting will be assembled (at least twice the height of the union nut) must be free of chips, dirt and paint! If the tube end is greasy or oily, use an environmentally friendly solvent.



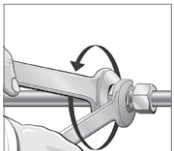
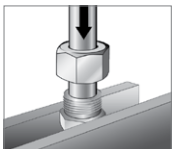
3. Slide the union nut and the profile ring onto the tube



4. Pretightening

Press the tube against the tube stop inside the fitting stud. Tighten the union nut until the profile ring engages the tube, which can be clearly detected by the increase in torque (pressure point).

△ Caution: In case of unfavorable assembly conditions and with large tube sizes, direct assembly must be carried out using a vice. Use the same fitting stud (see above) for this purpose.

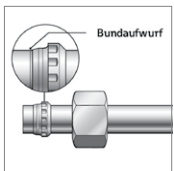
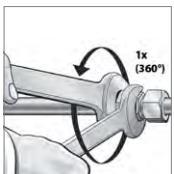


5. Direct assembly

Next, complete the direct assembly by means of 1 full rotation (360°)

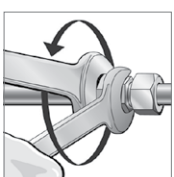
Important: Hold the fitting stud in place by means of a wrench.

△ Caution: Any deviation from the specified tightening rotation will reduce the nominal pressure rating and the service life of the fitting. This may cause the fitting to leak or the tube to slip out.



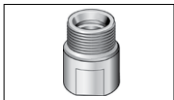
6. Assembly verification

Check the penetration of the cutting edge. A visibly raised collar should fill the space in front of the profile-ring end face. The profile ring may rotate, but it should not be possible to move it axially.



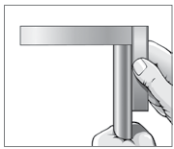
7. Re-assembly

After each time the fitting is disassembled, the union nut must be retightened (same torque as during final assembly).



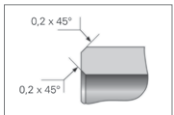
Rotation-based pre-assembly using the manual pre-assembly stud

C



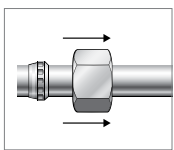
1. Cut the tube at a right angle

Cut off the tube at least 10 mm from the manufacturer's cut-off (this is a common source of error due to delivery conditions). Cut the tube at a right angle; an angular deviation of $1/2^\circ$ from the tube axis is permissible. Do not use pipe cutters or cut-off saws, as these will result in pronounced burring or diagonal cuts. Use a sawing machine or similar equipment.



2. Gently deburr the tube ends and clean the tube

Deburr the inside and outside of the tube (max. $0.2 \times 45^\circ$) and clean it. The part of the tube where the fitting will be assembled (at least twice the height of the union nut) must be free of chips, dirt and paint! If the tube end is greasy or oily, use an environmentally friendly solvent.



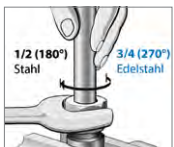
3. Slide the union nut and the profile ring onto the tube

Important: In the case of stainless steel (1.4571) fittings, please refer to the instructions for using Danfoss Waltech ABF grease (anti-block grease).



4. Pretightening

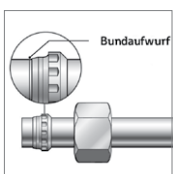
Use a vice to secure the manual pre-assembly stud in place. Press the tube against the tube stop inside the manual pre-assembly stud. Tighten the union nut until the profile ring has engaged the tube, which can be clearly detected by the increase in torque (pressure point).



5. Pre-assembly

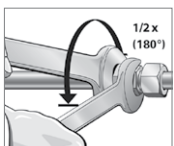
After reaching the pressure point, tighten the union nut by $1/2$ a rotation (180°) in the case of steel and a $3/4$ rotation (270°) in the case of stainless steel (1.4571) fittings.

⚠ Caution: Any deviation from the specified tightening rotation will reduce the nominal pressure rating and the service life of the fitting. This may cause the fitting to leak or the tube to slip out.



6. Assembly verification

Check the penetration of the cutting edge. A visibly raised collar should fill the space in front of the profile-ring cutting edge. The profile ring may rotate, but it should not be possible to move it axially.



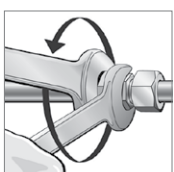
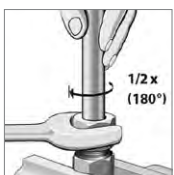
7. Final assembly inside the fitting stud

Tighten the union nut until there is a noticeable increase in the required force (point of resistance), then complete the assembly process by means of $1/2$ a rotation (180°).

⚠ Caution: Any deviation from the specified tightening rotation will reduce the nominal pressure rating and the service life of the fitting. This may cause the fitting to leak.

Important: Hold the fitting stud in place by means of a wrench.

Note: In case of unfavorable assembly conditions and with large tube sizes, final assembly must be carried out using a vice. Use the same fitting stud (see above) for this purpose.



8. Re-assembly

After each time the fitting is disassembled, the union nut must be retightened (same torque as during final assembly).

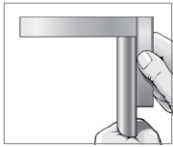
Important: In the case of stainless steel (1.4571) fittings, please refer to the instructions for using Danfoss Waltech ABF grease (anti-block grease).



Controlled final assembly using

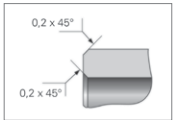
the Danfoss Waltech M-R7 assembly machine (please also see the operating instructions for the M-R7 assembly machine).

C



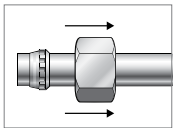
1. Cut the tube at a right angle

Cut off the tube at least 10 mm from the manufacturer's cut-off (this is a common source of error due to delivery conditions). Cut the tube at a right angle; an angular deviation of 1/2° from the tube axis is permissible. Do not use pipe cutters or cut-off saws, as these will result in pronounced burring or diagonal cuts. Use a sawing machine or similar equipment.



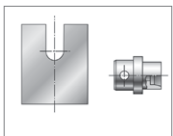
2. Gently deburr the tube ends and clean the tube

Deburr the inside and outside of the tube (max. 0.2 x 45°) and clean it. The part of the tube where the fitting will be assembled (at least twice the height of the union nut) must be free of chips, dirt and paint! If the tube end is greasy or oily, use an environmentally friendly solvent.



3. Slide the union nut and the profile ring onto the tube

Important: In the case of stainless steel (1.4571) fittings, please refer to the instructions for using Danfoss Waltech ABF grease (anti-block grease).



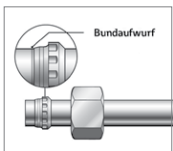
4. Place the tools inside the machine

Switch on the assembly machine and insert the backing plate and the GE stud. Only use Danfoss Waltech studs marked "GE".



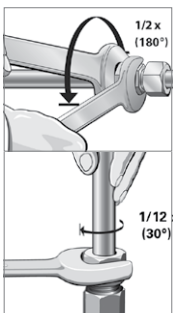
5. Insert the tube into the machine, together with the union nut and the profile ring

Push the union nut and profile ring onto the tube and start the assembly process. To do so, press the tube against the cylinder until the mechanical stop is reached and hold it in place until the assembly process is complete. The assembly process will be completed automatically.



6. Assembly verification

Check the penetration of the cutting edge. A visibly raised collar should fill the space in front of the profile-ring cutting edge. The profile ring may rotate, but it should not be possible to move it axially.



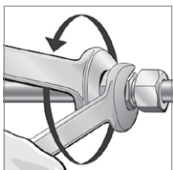
7. Final assembly inside the fitting stud

Tighten the union nut until there is a noticeable increase in the required force (point of resistance), then complete the assembly process by means of a 1/12 rotation (30°). Alternatively, torque-based assembly is also possible, by tightening the union nut using a torque wrench (see the "tightening torque" table).

△ Caution: Any deviation from the specified tightening rotation will reduce the nominal pressure rating and the service life of the fitting. This may cause the fitting to leak.

Important: Hold the fitting stud in place by means of a wrench.

Note: In case of unfavorable assembly conditions and with large tube sizes, final assembly must be carried out using a vice. Use the same fitting stud (see above) for this purpose.



8. Re-assembly

After each time the fitting is disassembled, the union nut must be retightened (same torque as during final assembly).

Important: In the case of stainless steel (1.4571) fittings, please refer to the instructions for using Danfoss Waltech ABF grease (anti-block grease).

Note: If the pre-assembly and the controlled final assembly are carried out using older machine models (MEG-R4/5/6), the relevant Danfoss Waltech assembly instructions must be observed.

The use and assembly of tube inserts with profile-ring fittings

Tube inserts are generally required when using plastic tubes. As a rule, this also applies to tubes made of non-ferrous metals such as copper, brass and aluminum. Tube inserts are also recommended if thin-walled steel tubes are used, as is usually the case with low pressures.

The material strength, wall thickness and thus the resistance of thin-walled tubes is often insufficient to withstand the radial forces exerted by the rings during assembly. This may cause the tubes to constrict and the fittings to leak.



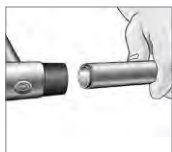
1. Tube inserts for safe assembly of plastic, non-ferrous metal and thin-walled steel tubes.



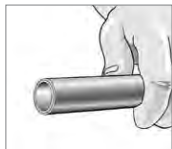
2. Cut off the tube at a right angle (do not use a pipe cutter). Gently deburr the tube ends on the inside and outside (do not chamfer!) and then clean them.



3. Push the tube insert into the tube (up to the knurled edge).



4. Use a plastic or hard rubber hammer to fully drive in the insert. The knurled edge will then be pressed into the inner wall of the tube and thereby prevents the insert from shifting or falling out.



5. The insert must be flush with the tube end.



6. If tube inserts are used, the tube must not be constricted after assembly. Continue the assembly process in line with the assembly instructions for profile-ring fittings.

Tube outer diameter (mm)	Wall thickness (mm)		
	1	1.5	2
12	●		
18	○	●	
22	○	○	●
25	○	○	●
28	○	○	●
35	○	○	●

● These sizes require functional testing. Please consult us for more information.

○ Tube inserts are recommended

The use of tube inserts is recommended for thin-walled tube assemblies that are subject to severe stress.

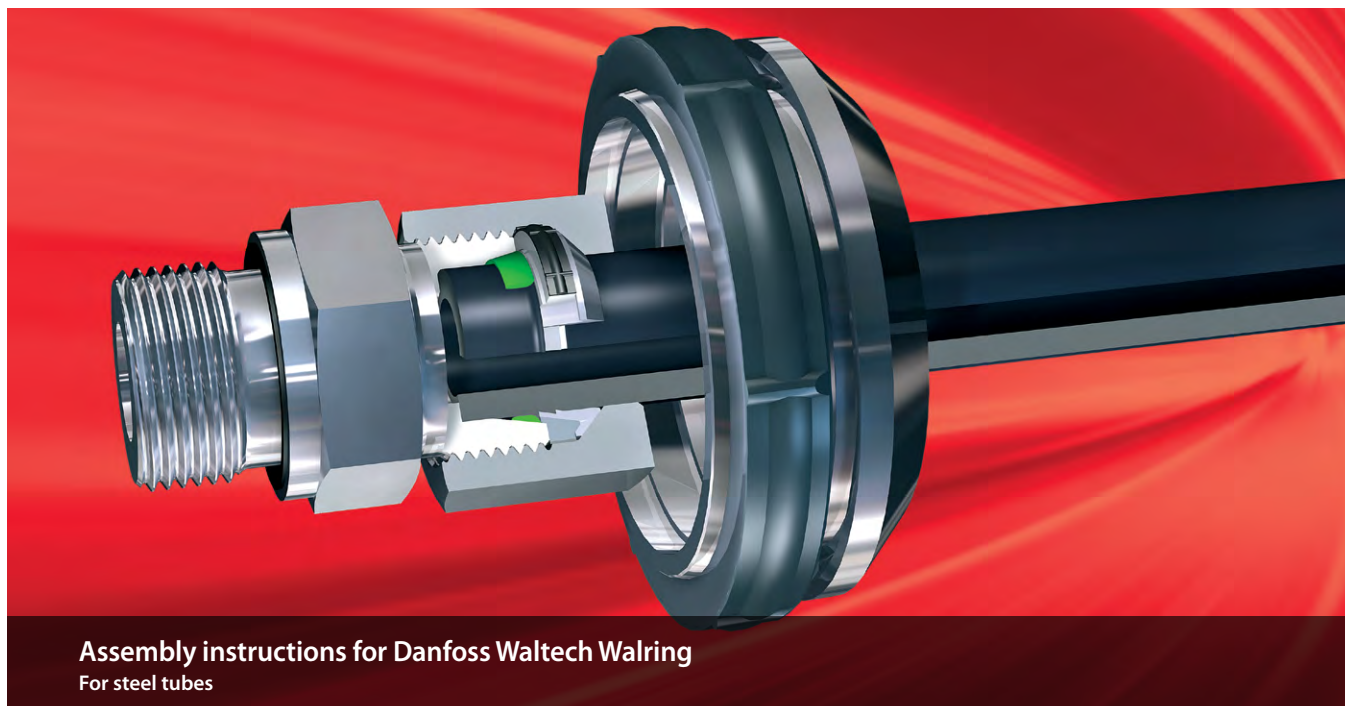
For steel (E235 / E355) or stainless steel (1.4571) tubes.

Tightening torque

C

Series	Tube outer diameter (mm)	Walpro steel (Nm)	Walpro-X stainless steel (1.4571) (Nm)
L	6	25	35
	8	40	50
	10	50	60
	12	70	90
	15	90	160
	18	115	200
	22	210	240
	28	310	420
	35	500	560
	42	600	700
S	6	35	50
	8	55	70
	10	70	110
	12	85	120
	14	110	200
	16	120	200
	20	200	300
	25	340	440
	30	480	660
	38	850	900

⚠ Caution: The specified torque values are only valid under the conditions stated in the assembly instructions. If parts have been damaged or the tubes have been subjected to stress during installation, the torque values may vary considerably.



Assembly instructions for Danfoss Waltech Waling For steel tubes

Tube selection

The pressure strength specifications refer to the following tube grades:

Steel

Material: E235 / E355, to EN 10305-4 (formerly St. 37.4 / 52.4 to DIN 1630). Type: Seamless cold-drawn, normalized bright annealed steel, designation NBK as per DIN EN 10305-4.

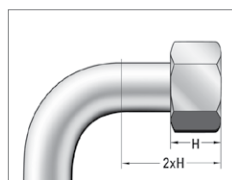
Calculated pressures: DIN 2413

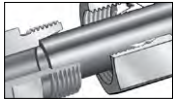
⚠ Caution: Materials or tolerances that deviate from the recommended tube specifications may result in tool break, incorrect installation or total failure of the fitting.

⚠ Caution: The specified nominal pressure ratings always refer to the fitting. For tube pressure ratings, see the specifications of the respective manufacturers.

Minimum length of straight tube ends in the case of tube bends

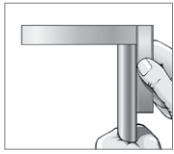
In the case of tube bends, the straight tube end up to the beginning of the bending radius must be at least twice the height of the union nut.





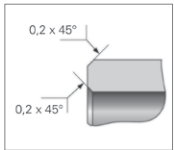
**Direct assembly
inside the fitting stud**

C



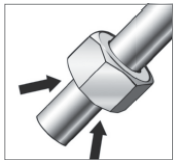
1. Cut the tube at a right angle

Cut off the tube at least 10 mm from the manufacturer's cut-off (this is a common source of error due to delivery conditions). Cut the tube at a right angle; an angular deviation of 1/2° from the tube axis is permissible. Do not use pipe cutters or cut-off saws, as these will result in pronounced burring or diagonal cuts. Use a sawing machine or similar equipment.

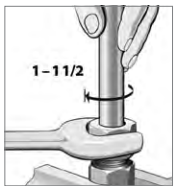


2. Gently deburr the tube ends and clean the tube

Deburr the inside and outside of the tube (max. 0.2 x 45°) and clean it. The part of the tube where the fitting will be assembled (at least twice the height of the union nut) must be free of chips, dirt and paint! If the tube end is greasy or oily, use an environmentally friendly solvent.



3. Slide the system nut onto the tube

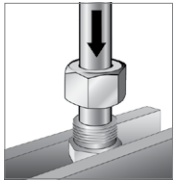


4. Direct assembly

Press the tube against the tube stop inside the fitting stud. Tighten the union nut by approximately 1 to 1 1/2 rotations until there is a clearly detectable increase in the required tightening force (point of resistance).

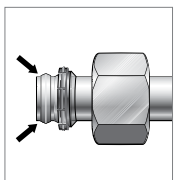
△ Caution: Any deviation from the specified tightening rotation will reduce the nominal pressure rating and the service life of the fitting. This may cause the fitting to leak.

△ Caution: In case of unfavorable assembly conditions and with large tube sizes, final assembly must be carried out using a vice. Use the same fitting stud (see above) for this purpose.



5. Assembly verification

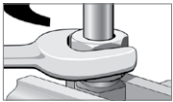
Loosen the system nut. A visibly raised collar should have formed in front of the outer ring. If this collar firmly secures the outer ring on the tube, the assembly process has been completed correctly. If not, the process has to be repeated. A slight axial movement and twisting of the outer ring are permissible.



6. Install the soft seal

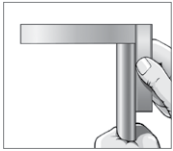
Pull the soft seal onto the tube until the mechanical stop is reached. Take care not to twist or damage the parts during installation. The proper function and safety of the fitting are only ensured if original Danfoss Waltech Walform soft seals are used!

Continue to step 8. Final assembly



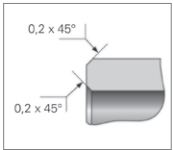
Direct assembly using the manual pre-assembly stud

C



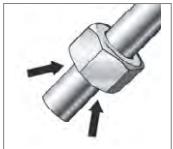
1. Cut the tube at a right angle

Cut off the tube at least 10 mm from the manufacturer's cut-off (this is a common source of error due to delivery conditions). Cut the tube at a right angle; an angular deviation of $1/2^\circ$ from the tube axis is permissible. Do not use pipe cutters or cut-off saws, as these will result in pronounced burring or diagonal cuts. Use a sawing machine or similar equipment.

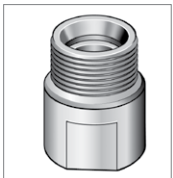


2. Gently deburr the tube ends and clean the tube

Deburr the inside and outside of the tube (max. $0.2 \times 45^\circ$) and clean it. The part of the tube where the fitting will be assembled (at least twice the height of the union nut) must be free of chips, dirt and paint! If the tube end is greasy or oily, use an environmentally friendly solvent.



3. Slide the system nut onto the tube

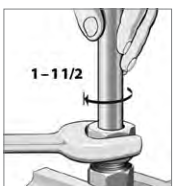
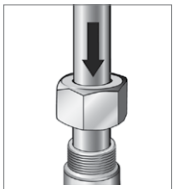


4. Direct assembly

Use a vice to secure the manual pre-assembly stud in place. Press the tube against the tube stop inside the Walring manual pre-assembly stud. Tighten the union nut by approximately 1 to $1\frac{1}{2}$ rotations until there is a clearly detectable increase in the required tightening force (point of resistance).

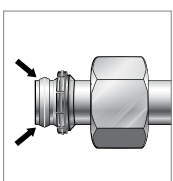
⚠ Caution: Only use Danfoss Waltech Walring manual pre-assembly studs marked "W-R".

⚠ Caution: Any deviation from the specified tightening rotation will reduce the nominal pressure rating and the service life of the fitting. This may cause the fitting to leak.



5. Assembly verification

Loosen the system nut. A visibly raised collar should have formed in front of the outer ring. If this collar firmly secures the outer ring on the tube, the assembly process has been completed correctly. If not, the process has to be repeated. A slight axial movement and twisting of the outer ring are permissible.



6. Install the soft seal

Pull the soft seal onto the tube until the mechanical stop is reached. Take care not to twist or damage the parts during installation. The proper function and safety of the fitting are only ensured if original Danfoss Waltech Walform soft seals are used!

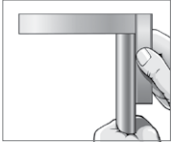
Continue to step 8. Final assembly



Controlled final assembly using

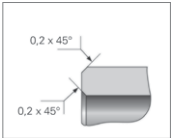
the Danfoss Waltech M-R7 assembly machine (please also see the operating instructions for the M-R7 assembly machine).

C



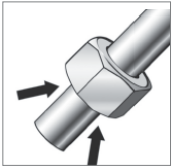
1. Cut the tube at a right angle

Cut off the tube at least 10 mm from the manufacturer's cut-off (this is a common source of error due to delivery conditions). Cut the tube at a right angle; an angular deviation of 1/2° from the tube axis is permissible. Do not use pipe cutters or cut-off saws, as these will result in pronounced burring or diagonal cuts. Use a sawing machine or similar equipment.

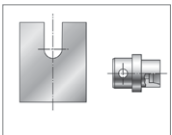


2. Gently deburr the tube ends and clean the tube

Deburr the inside and outside of the tube (max. 0.2 x 45°) and clean it. The part of the tube where the fitting will be assembled (at least twice the height of the union nut) must be free of chips, dirt and paint! If the tube end is greasy or oily, use an environmentally friendly solvent.

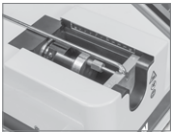


3. Slide the system nut onto the tube



4. Place the tools inside the machine

Switch on the assembly machine and insert the backing plate and the W-R stud. Only use W-R studs from Danfoss Waltech.



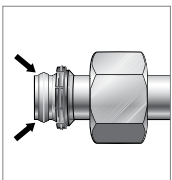
5. Insert the tube into the machine together with the system nut

Slide the Walring system nut over the tube and start the assembly process. To do so, press the tube against the cylinder until the mechanical stop is reached and hold it in place until the assembly process is complete. The assembly process will be completed automatically.



6. Assembly verification

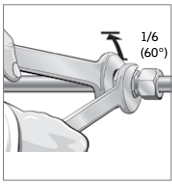
Loosen the system nut. A visibly raised collar should have formed in front of the outer ring. If this collar firmly secures the outer ring on the tube, the assembly process has been completed correctly. If not, the process has to be repeated. A slight axial movement and twisting of the outer ring are permissible.



7. Install the soft seal

Pull the soft seal onto the tube until the mechanical stop is reached. Take care not to twist or damage the parts during installation. The proper function and safety of the fitting are only ensured if original Danfoss Waltech Walform soft seals are used!

Note: If the pre-assembly and the controlled final assembly are carried out using older machine models (MEG-R4/5/6), the relevant Danfoss Waltech assembly instructions must be observed.



8. Final assembly

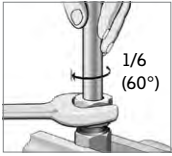
8.1 Rotation-based final assembly inside the fitting stud

Tighten the union nut until there is a clearly detectable increase in the required tightening force (without wrench extension) and then complete the assembly by means of a minimum rotation of 1/6 (60°).

⚠ Caution: Any deviation from the specified tightening rotation will reduce the nominal pressure rating and the service life of the fitting. This may cause the fitting to leak.

Important: Hold the fitting stud in place by means of a wrench.

Note: In case of unfavorable assembly conditions and with large tube sizes, final assembly must be carried out using a vice. Use the same fitting stud (see above) for this purpose.

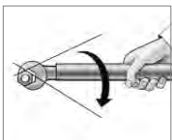
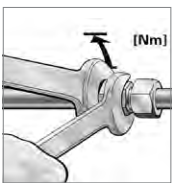


8.2 Torque-based final assembly inside the fitting stud

Tighten the union nut using a torque wrench (see the “tightening torque” table).

⚠ Caution: Any deviation from the specified torque will reduce the nominal pressure rating and the service life of the fitting. This may cause the fitting to leak.

Important: Hold the fitting stud in place by means of a wrench.

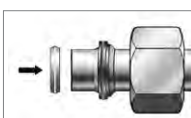


Tightening torque

Series	Tube outer diameter (mm)	Walring Final assembly (Nm)
L	6	30
	8	40
	10	50
	12	60
	15	95
	18	160
	22	210
	28	240
	35	520
S	42	800
	6	35
	8	60
	10	70
	12	95
	16	160
	20	260
	25	420
30	540	
	38	850

⚠ Caution: The specified torque values are only valid under the conditions stated in the assembly instructions. If parts have been damaged or the tubes have been subjected to stress during installation, the torque values may vary considerably.

Replacing the soft seal/re-assembly



- The soft seal can easily be replaced separately.
- If damaged, remove the soft seal and replace it with a new one.
- Complete the assembly process until the clearly detectable increase in the required tightening force (without wrench extension)
- Next, tighten by a minimum rotation of 1/6 (60°)
- **Alternatively,** torque-based final assembly is also possible (see table)

The use and assembly of tube inserts with Waling fittings

Tube inserts are generally required when using plastic tubes. As a rule, this also applies to tubes made of non-ferrous metals such as copper, brass and aluminum. Tube inserts are also recommended if thin-walled steel tubes are used, as is usually the case with low pressures.

C

The material strength, wall thickness and thus the resistance of tin-walled tubes is often insufficient to withstand the radial forces exerted by the rings during assembly. This may cause the tubes to constrict and the fittings to leak.



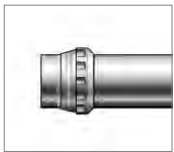
1. Tube inserts for safe assembly of plastic, non-ferrous metal and thin-walled steel tubes.



2. Cut off the tube at a right angle (do not use a pipe cutter). Gently deburr the tube ends on the inside and outside (do not chamfer!) and then clean them.



3. Push the tube insert into the tube (up to the knurled edge).



4. Use a plastic or hard rubber hammer to fully drive in the insert. The knurled edge will then be pressed into the inner wall of the tube and thereby prevents the insert from shifting or falling out.



5. The insert must be flush with the tube end.



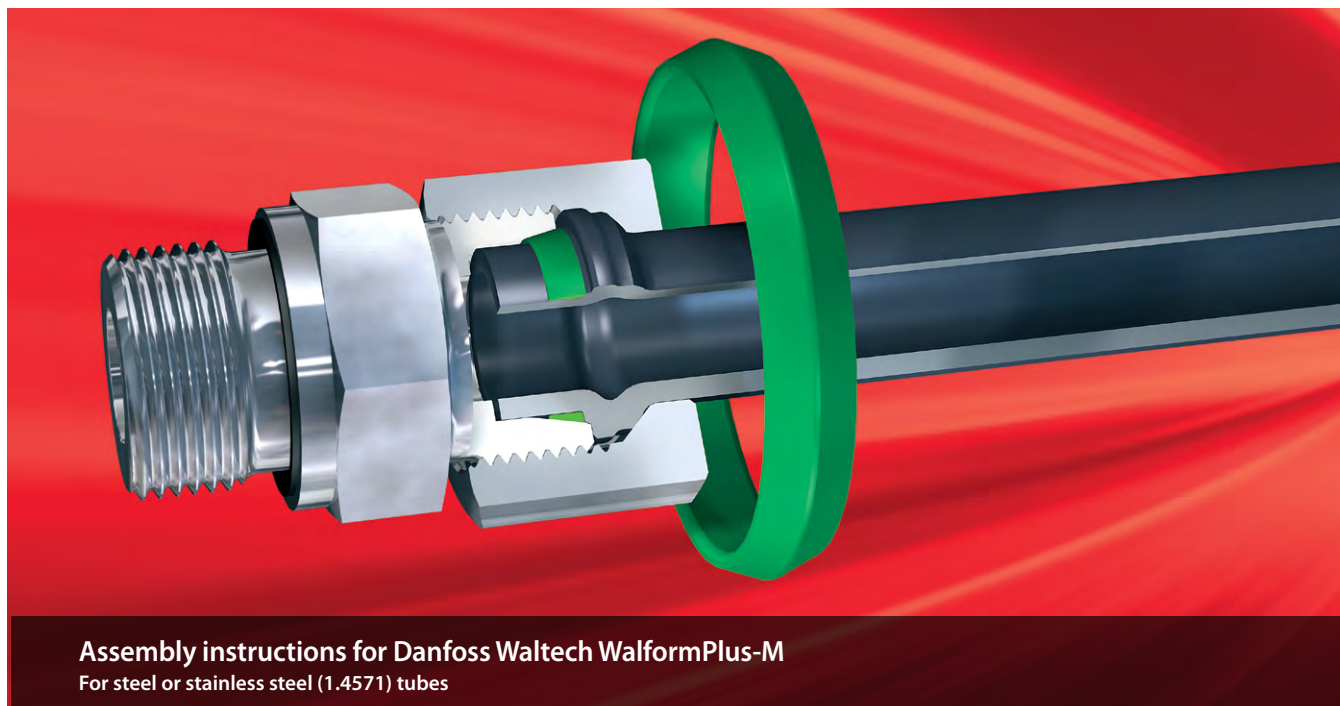
6. If tube inserts are used, the tube must not be constricted after assembly. Continue the assembly process in line with the assembly instructions for profile-ring fittings.

Series	Tube outer diameter (mm)	Wall thickness (mm)			
		1	1.5	2	2.5
L	18	●			
	22	●			
	28	○			
	35	○	○		
	42	●	○		
S	16	○			
	20	○			
	25	○	○		
	30	○	○		
	38	○	○	○	○

● These sizes require functional testing. Please consult us for more information.

○ Tube inserts are recommended

The use of tube inserts is recommended for thin-walled tube assemblies that are subject to severe stress.
For steel tubes (St 37.4 / St 52.4)



Assembly instructions for Danfoss Waltech WalformPlus-M
For steel or stainless steel (1.4571) tubes

Tube selection

The pressure strength specifications refer to the following tube grades:

Steel

Material: E235 / E355, to EN 10305-4 (formerly St. 37.4 / 52.4 to DIN 1630). Type: Seamless cold-drawn, normalized bright annealed steel, designation NBK as per DIN EN 10305-4.

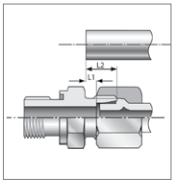
Stainless steel

Material: X6CrNiMoti17122 (1.4571) to DIN EN 10216-5 Type: Seamless cold-drawn, scale-free, heat-treated stainless steel, designation CFA as per DIN EN 10216-5 (formerly DIN 17458). Dimensions and tolerances to DIN EN 10305-4 (formerly DIN 2391-1). Additional stainless steel grades are available on request.

Calculated pressures: DIN 2413

⚠ Caution: Materials or tolerances that deviate from the recommended tube specifications may result in incorrect installation, tool break or total failure of the fitting.

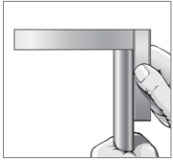
⚠ Caution: The specified nominal pressure ratings always refer to the fitting. For tube pressure ratings, see the specifications of the respective manufacturers.


1. Determine the tube length

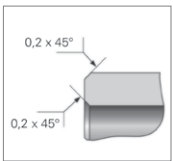
a) By measuring the distance between the tube stops of two studs.
The length L1 must be added to the measured length of each tube connection (see the "tube length determination" table).

b) By measuring the distance between the face ends of two studs.
The length L2 must be added to the measured length of each tube connection (see the "tube length determination" table).

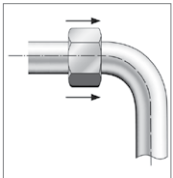
⚠ Caution: Steel and stainless steel (1.4571) have different tube determination lengths L1 and L2 (see the "tube length determination" table).


2. Cut the tube at a right angle

Cut off the tube at least 10 mm from the manufacturer's cut-off (this is a common source of error due to delivery conditions). Cut the tube at a right angle; an angular deviation of 1/2° from the tube axis is permissible. Do not use pipe cutters or cut-off saws, as these will result in pronounced burring or diagonal cuts. Use a sawing machine or similar equipment.


3. Gently deburr the tube ends and clean the tube

Deburr the inside and outside of the tube (max. 0.2 x 45°) and clean it. The clamping and reshaping area must be free of chips, dirt and paint! The clamping area should be free of grease and oil. If the tube end is greasy or oily, use an environmentally friendly solvent.

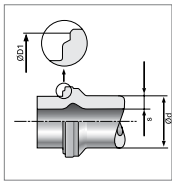

4. Slide the union nut onto the tube

Important: In the case of stainless steel (1.4571) fittings, please refer to the instructions for using Danfoss Waltech ABF grease (anti-block grease).

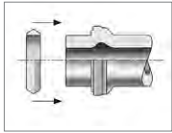

5. Reshape the tube ends using an Danfoss Waltech Walform machine

To do so, insert the tools into the machine and move them into the insertion position. Insert the tube end into the machine until the clearly detectable mechanical stop in the base of the forming tool. Hold it in place to start the reshaping process. The reshaping process takes place automatically. Follow the operating instructions of the Walform machine.

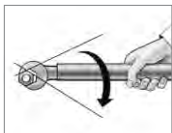
⚠ Caution: Make sure to select the correct tool, in line with the tube dimensions, the tube material and the selected WalformPlus system.


6. Verification of the reshaped tube

Check the diameter D1 of the reshaped tube for dimensional accuracy (see the “minimum tube lengths” table, column “D1 min Ø”). The outside of the reshaped tube must be clean. Proper reshaping is a prerequisite for a long service life of the connection.


7. Install the soft seal

Pull the soft seal onto the tube until the mechanical stop is reached. Take care not to twist or damage the parts during installation. The proper functioning and safety of the fitting are only guaranteed if original Danfoss Waltech Walform soft seals are used!

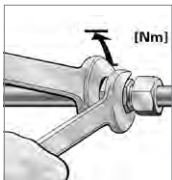

8. Final assembly inside the fitting stud

Using an appropriate wrench, tighten the union nut until there is a clearly detectable increase in the required force (point of resistance). The torque values for the required increase in tightening force can be found in the corresponding table (see the “tightening torque” table).

Important: In the case of stainless steel (1.4571) fittings, please refer to the instructions for using Danfoss Waltech ABF grease (anti-block grease).

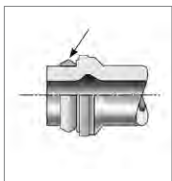
△ Caution: Any deviation from the specified tightening rotation will reduce the nominal pressure rating and the service life of the fitting. This may cause leakage or other malfunctions.

Important: Hold the fitting stud in place by means of a wrench.


9. Re-assembly

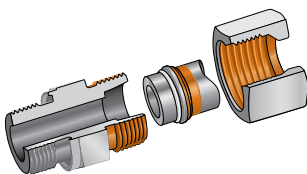
After each time the fitting is loosened, the soft seal must be checked for damage and replaced if necessary. Afterwards, firmly retighten the union nut. The torque during re-assembly must be the same as during initial assembly!

Important: In the case of stainless steel (1.4571) fittings, please refer to the instructions for using Danfoss Waltech ABF grease (anti-block grease).



Danfoss Waltech ABF grease
(anti-block grease)
Stainless steel (1.4571)

Application: Prior to assembly, the fittings must be thoroughly cleaned and the threads in particular checked for damage. All contact surfaces must be sufficiently coated with Danfoss Waltech ABF grease (anti-block grease) using a brush or a lint-free cloth. After greasing, the fittings must be immediately assembled to prevent contamination. For best results, use Danfoss Waltech stainless steel nuts with silver-plated threads (AG/AGP) plus Danfoss Waltech ABF grease (anti-block grease).




Tube length determination
Steel
Stainless steel (1.4571)
C
WalformPlus

d (mm)	s (mm)							
	1.5	2	2.5	3	3.5	4	5	6
6 L/S	6.5 / 13.5 6.5 / 13.5							
8 L/S	7.0 / 14.0 7.0 / 14.0	7.0 / 14.0 7.0 / 14.0	6.0 / 13.0**					
10 L	7.0 / 14.0 7.5 / 14.5	6.0 / 13.0 7.0 / 14.0	6.0 / 13.0**	5.5 / 12.5**				Steel L1 (mm) L2 (mm) Stainless steel (1.4571) L1 (mm) L2 (mm)
10 S	6.5 / 14.0 7.0 / 14.5	5.5 / 13.0 6.5 / 14.0						
12 L	7.0 / 14.0 7.0 / 14.0	6.5 / 13.5 6.5 / 13.5	6.0 / 13.0** 6.5 / 13.5	4.5 / 11.5** 6.0 / 13.0				
12 S	6.5 / 14.0 6.5 / 14.0	6.0 / 13.5 6.0 / 13.5	5.5 / 13.0** 6.0 / 13.5	4.0 / 11.5** 5.5 / 13.0				
15 L	6.5 / 13.5 7.5 / 14.5	6.5 / 13.5 7.0 / 14.0	6.0 / 13.0					
16 S		7.0 / 15.5 7.0 / 15.5	6.5 / 15.0 7.5 / 16.0	7.0 / 15.5 7.5 / 16.0		5.0 / 13.5**		
18 L		6.5 / 14.0 7.0 / 14.5	6.5 / 14.0** 7.0 / 14.5	6.5 / 13.5** 6.5 / 14.0				
20 S		8.5 / 19.0 9.5 / 20.0	8.0 / 18.5** 9.0 / 19.5	7.5 / 18.0* 8.5 / 19.5	7.5 / 18.0*	7.5 / 18.0*		
22 L		7.0 / 14.5 7.5 / 15.0	7.0 / 14.5** 7.0 / 14.5	6.5 / 14.0** 7.0 / 14.5				
25 S		9.0 / 21.0* 10.0 / 22.0	8.0 / 20.0* 10.0 / 22.0	8.0 / 20.0* 7.5 / 19.5	8.5 / 20.5*	8.0 / 20.0* 9.0 / 21.0	7.5 / 19.5*	
28 L		6.5 / 14.0 8.0 / 15.5	6.5 / 14.0** 8.0 / 15.5	6.5 / 14.0** 8.0 / 15.5	7.5 / 14.5**	7.5 / 14.5**		
30 S			8.5 / 22.0 9.0 / 22.5	9.0 / 22.5 10.5 / 24.0		9.0 / 22.5* 10.5 / 24.0	9.0 / 22.5* 10.0 / 23.5	8.5 / 22.0*
35 L			8.0 / 18.5**	8.0 / 18.5** 8.5 / 19.0		8.0 / 19.0** 9.5 / 20.0	8.0 / 18.5** 9.5 / 20.0	
38 S				9.5 / 25.5** 11.5 / 27.5		9.5 / 25.5** 11.0 / 27.0	10.0 / 26.0* 11.5 / 27.0	10.0 / 26.0*
42 L				8.0 / 19.0 10.0 / 21.0	8.0 / 19.0**	8.5 / 19.5**		

*For these dimensions, L1/L2 may vary for material E355 due to the different clamping jaws used

**These dimensions are currently not qualified for use with material E355. They can be qualified on request.

Note

Any tube length differences must be appropriately compensated, for example by installing tube bends. Tubes that are longer or shorter than the specified tube length may result in leakage. Prior to installation, short straight tube sections without length compensation between the installation ends must be checked for compliance with the final dimension and adapted, if necessary.

Tightening torque

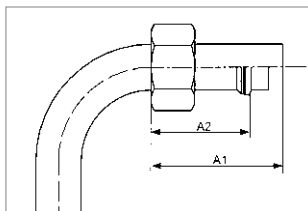
Series	Tube outer diameter (mm)	Steel (Nm)	Stainless steel (1.4571) (Nm)
L	6	30	30
	8	35	35
	10	40	40
	12	55	55
	15	80	80
	18	110	120
	22	140	170
	28	210	250
	35	300	380
	42	400	520
S	6	35	35
	8	40	40
	10	55	55
	12	70	70
	16	110	110
	20	150	170
	25	210	260
	30	280	370
	38	410	590

Important: The specified torques are reference values for identifying the point of resistance (completion of assembly), which are only valid under optimum conditions.

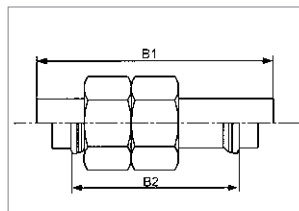
These torque values may deviate considerably due to differing tolerances, tubes that were subjected to stress during installation or improper lubrication of stainless steel parts (ABF grease). Care must be taken to prevent the occurrence of these factors when applying the torque values during initial assembly.

C

Minimum tube lengths for clamping straight and bent tubes



Minimum length of straight tube (A)

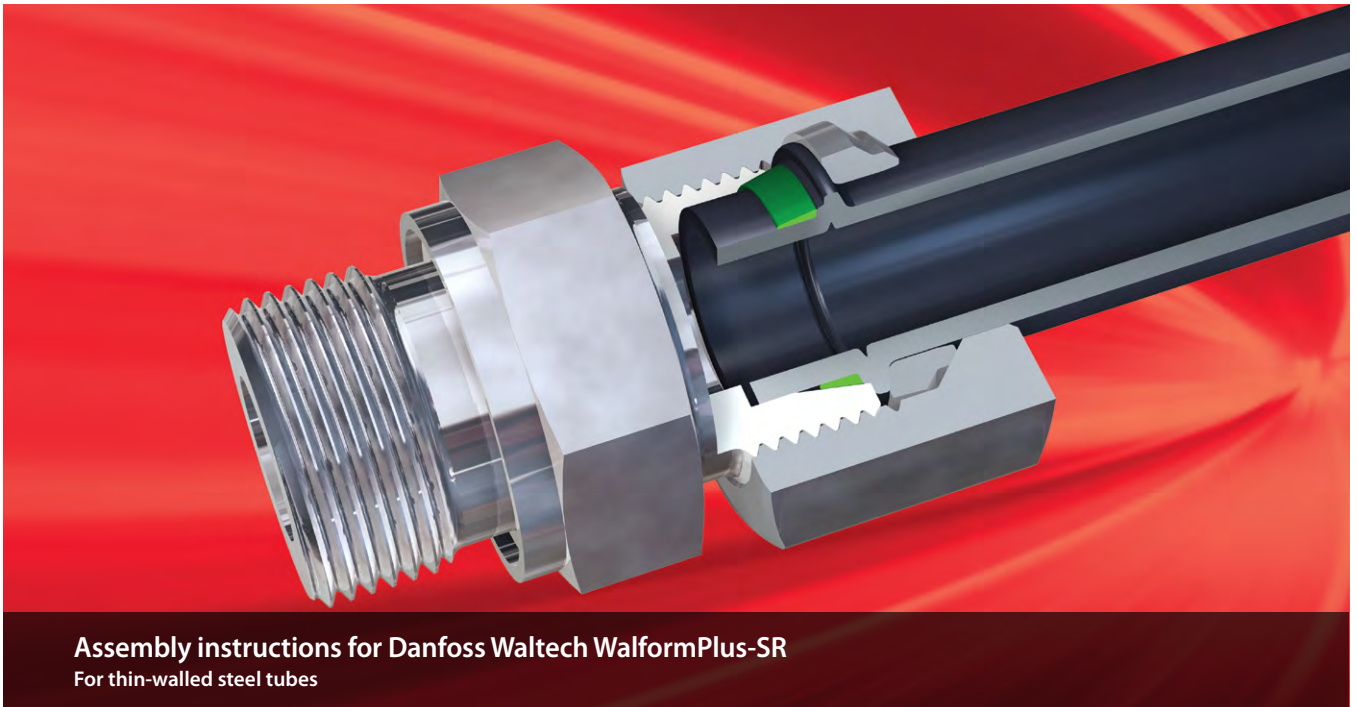


Length of straight tube (B)

d (mm)	A1* (mm)	A2* (mm)	B1 (mm)	B2 (mm)	D1 min Ø (mm)
6 L/S	69	56	90	64	9.2
8 L/S	66	52	88	60	11.3
10 L/S	62	48	84	57	13.6
12 L/S	62	48	85	57	15.8
15 L	69	56	90	64	18.6
16 S	73	58	99	68	19.8
18 L	79	65	102	74	21.6
20 S	85	66	115	77	24.5
22 L	87	72	112	83	25.6
25 S	114	93	148	106	29.6
28 L	103	87	129	98	31.6
30 S	121	98	157	112	34.7
35 L	112	93	144	106	39.2
38 S	127	102	169	116	42.8
42 L	114	94	146	107	46.2

*If the straight tube end needs to be shorter than indicated in the table due to installation difficulties, it must be bent after reshaping.

C



Assembly instructions for Danfoss Waltech WalformPlus-SR
For thin-walled steel tubes

Tube selection

The pressure strength specifications refer to the following tube grades:

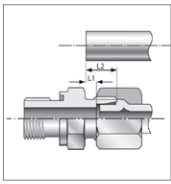
Steel

Material: E235 / E355, to EN 10305-4 (formerly St. 37.4 / 52.4 to DIN 1630). Type: Seamless cold-drawn, normalized bright annealed steel, designation NBK as per DIN EN 10305-4.

Calculated pressures: DIN 2413

⚠ Caution: Materials or tolerances that deviate from the recommended tube specifications may result in incorrect installation, tool break or total failure of the fitting.

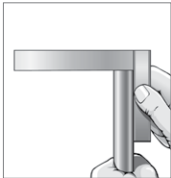
⚠ Caution: The specified nominal pressure ratings always refer to the fitting. For tube pressure ratings, see the specifications of the respective manufacturers.


1. Tube length determination

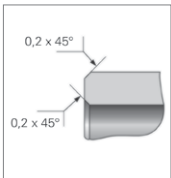
a) By measuring the distance between the tube stops of two studs.
The length L1 must be added to the measured length of each tube connection (see the "tube length determination" table).

b) By measuring the distance between the face ends of two studs.
The length L2 must be added to the measured length of each tube connection (see the "tube length determination" table).

⚠ Caution: Steel and stainless steel (1.4571) have different tube determination lengths L1 and L2 (see the "tube length determination" table).


2. Cut the tube at a right angle

Cut off the tube at least 10 mm from the manufacturer's cut-off (this is a common source of error due to delivery conditions). Cut the tube at a right angle; an angular deviation of 1/2° from the tube axis is permissible. Do not use pipe cutters or cut-off saws, as these will result in pronounced burring or diagonal cuts. Use a sawing machine or similar equipment.


3. Gently deburr the tube ends and clean the tube

Deburr the inside and outside of the tube (max. 0.2 x 45°) and clean it. The clamping and reshaping area must be free of chips, dirt and paint! The clamping area should be free of grease and oil. If the tube end is greasy or oily, use an environmentally friendly solvent.


4. Slide the union nut and the support ring onto the tube

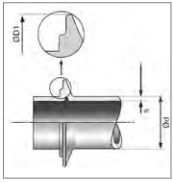
Important: Make sure that the installation direction of the support ring is correct. Incorrect assembly may significantly reduce the pressure strength and vibration resistance of the fitting.


5. Reshape the tube ends using an Danfoss Waltech Walform machine

To do so, insert the tools into the machine and move them into the insertion position. Insert the tube end into the machine until the clearly detectable mechanical stop in the base of the forming tool. Hold it in place to start the reshaping process. The reshaping process takes place automatically. Follow the operating instructions of the Walform machine.

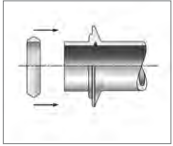
⚠ Caution: Make sure to select the correct tool, in line with the tube dimensions, the tube material and the selected WalformPlus system.

C



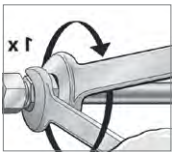
6. Verification of the reshaped tube

Check the diameter D1 of the reshaped tube for dimensional accuracy (see the “minimum tube lengths” table, column “D1 min ø”). The outside of the reshaped tube must be clean. Proper reshaping is a prerequisite for a long service life of the connection.



7. Install the soft seal

Pull the soft seal onto the tube until the mechanical stop is reached. Take care not to twist or damage the parts during installation. The proper functioning and safety of the fitting are only guaranteed if original Danfoss Waltech Walform soft seals are used!

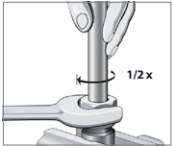


8. Final assembly inside the fitting stud

Using an appropriate wrench, tighten the union nut until there is a clearly detectable increase in the required force (point of resistance). The torque values for the required increase in tightening force can be found in the corresponding table (see the “tightening torque” table).

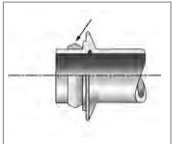
Caution: Any deviation from the specified tightening rotation will reduce the nominal pressure rating and the service life of the fitting. This may cause leakage or other malfunctions.

Important: Hold the fitting stud in place by means of a wrench.



9. Re-assembly

After each time the fitting is loosened, the soft seal must be checked for damage and replaced if necessary. Afterwards, firmly retighten the union nut. The torque during re-assembly must be the same as during initial assembly!



Tube length determination

WalformPlus-SR			
d (mm)	s (mm)		
	1	1.5	2
6 L	4.0 / 11.5		Steel L1 (mm) L2 (mm)
8 L	3.5 / 11.0		
10 L	3.5 / 11.0		
12 L	3.5 / 11.0		
15 L	3.5 / 11.0		
16 S	4.5 / 13.0		
18 L	4.5 / 12.0		
20 S			
22 L	4.5 / 12.0		
30 S	5.5 / 19.0		
35 L	6.5 / 17.0		
42 S	6.5 / 17.5		

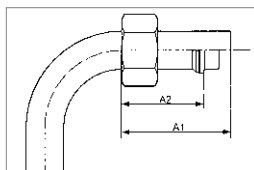

Steel E235
Note

Any tube length differences must be appropriately compensated, for example by installing tube bends. Tubes that are longer or shorter than the specified tube length may result in leakage. Prior to installation, short straight tube sections without length compensation between the installation ends must be checked for compliance with the final dimension and adapted, if necessary.

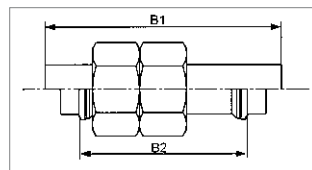
Tightening torque

Series	Tube outer diameter (mm)	WalformPlus-SR Steel (Nm)
L	6x1	25
	8x1	35
	10x1	40
	12x1	55
	15x1	80
	18x1.5	110
	22x1.5	140
	35x2	300
S	42x2	400
	16x1.5	110
	20x2	180
	30x2	280

Important: The specified torques are reference values for identifying the point of resistance (completion of assembly), which are only valid under optimum conditions.

Minimum tube lengths for clamping straight and bent tubes


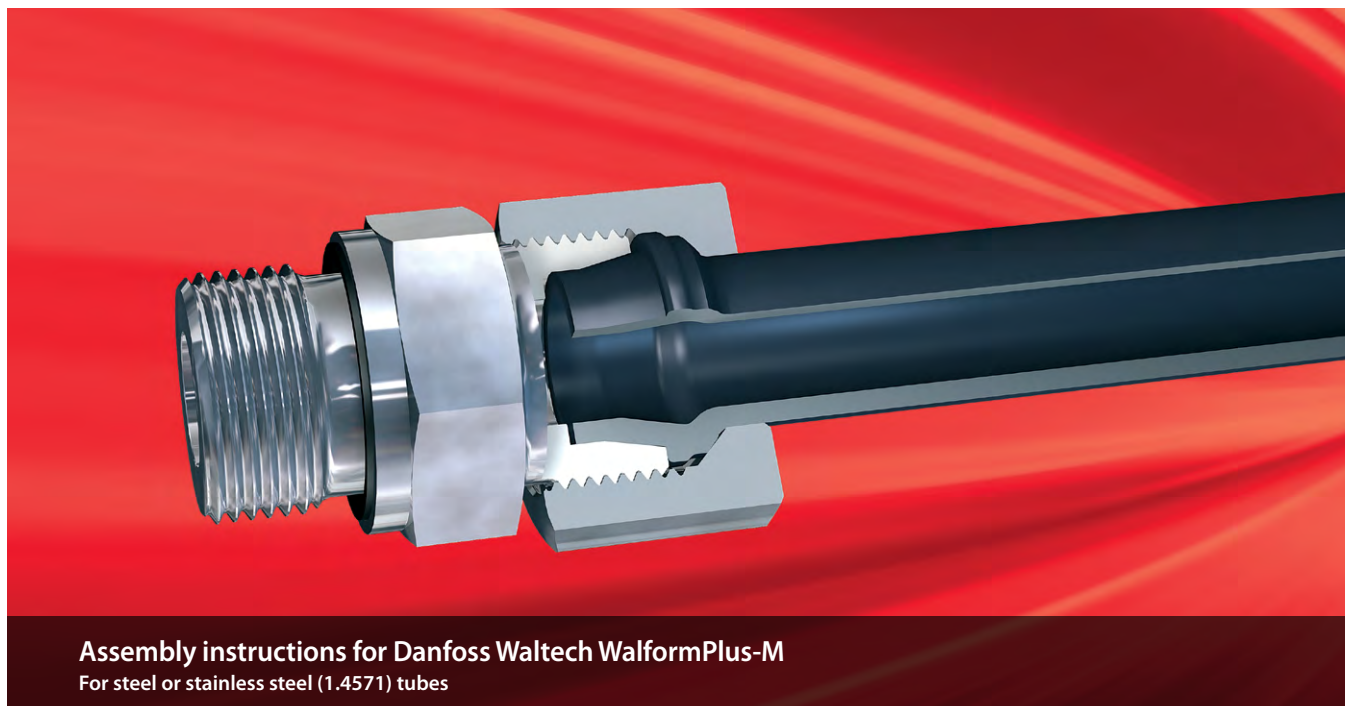
Minimum length of straight tube (A)



Length of straight tube (B)

d (mm)	A1* (mm)	A2* (mm)	B1 (mm)	B2 (mm)	D1 min Ø (mm)
6 L	65	54	84	61	9.1
8 L	61	50	79	58	11.6
10 L	57	46	75	53	13.1
12 L	56	46	74	51	15.3
15 L	64	56	83	62	18.5
16 S	69	53	92	66	19.8
18 L	75	63	97	72	22.2
20 S	78	62	108	73	25.3
22 L	83	70	105	81	25.9
30 S	119	100	153	115	37.0
35 L	112	96	142	108	41.3
42 L	116	98	145	110	48.9

*If the straight tube end needs to be shorter than indicated in the table due to installation difficulties, it must be bent after reshaping.



Assembly instructions for Danfoss Waltech WalformPlus-M
For steel or stainless steel (1.4571) tubes

Tube selection

The pressure strength specifications refer to the following tube grades:

Steel

Material: E235 / E355, to EN 10305-4 (formerly St. 37.4 / 52.4 to DIN 1630). Type: Seamless cold-drawn, normalized bright annealed steel, designation NBK as per DIN EN 10305-4.

Stainless steel

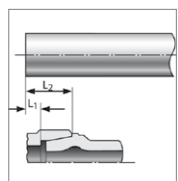
Material: X6CrNiMoti17122 (1.4571) to DIN EN 10216- 5 Type: Seamless cold-drawn, scale-free, heat-treated stainless steel, designation CFA as per DIN EN 10216-5 (formerly DIN 17458). Dimensions and tolerances to DIN EN 10305-4 (formerly DIN 2391-1). Additional stainless steel grades

are available on request.

Calculated pressures: DIN 2413

△ Caution: Materials or tolerances that deviate from the recommended tube specifications may result in tool break, incorrect installation or total failure of the fitting.

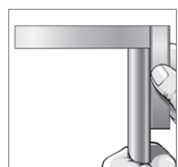
△ Caution: The specified nominal pressure ratings always refer to the fitting. For tube pressure ratings, see the specifications of the respective manufacturers!


1. Tube length determination

a) By measuring the distance between the tube stops of two studs. The length L1 must be added to the measured length of each tube connection.

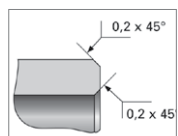
b) By measuring the distance between the face ends of two studs. The length L2 must be added to the measured length of each tube connection.

The lengths L1 and L2 as well as minimum lengths of straight tubes and the minimum lengths of straight tube ends in the case of tube bends can be found in the operating instructions and/or the corresponding tables.


2. Cut the tube at a right angle

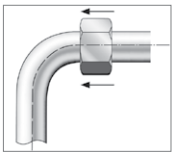
Cut off the tube at least 10 mm from the manufacturer's cut-off (this is a common source of error due to delivery conditions). Cut the tube at a right angle; an angular deviation of 1/2° from the tube axis is permissible. Do not use pipe cutters or cut-off saws, as these will result in pronounced burring or diagonal cuts. Use a sawing machine or similar equipment.

△ Caution: Deviations in the tube end shape, e.g. tubes that were cut at an angle or incorrectly deburred, will reduce the service life and the tightness of the fitting.


3. Gently deburr the tube ends and clean the tube

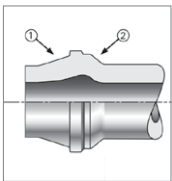
Deburr the inside and outside of the tube (max. 0.2 x 45°) and clean it. The clamping and reshaping area must be free of chips, dirt and paint! The clamping area should be free of grease and oil! If the tube end is greasy or oily, use an environmentally friendly solvent.

4. Slide the union nut onto the tube.


5. Reshape the tube ends using an Danfoss Waltech Walform machine

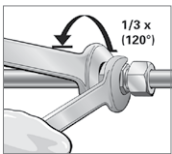
To do so, insert the tools into the machine and move them into the insertion position. Insert the tube end into the machine until the clearly detectable mechanical stop in the base of the forming tool. Hold it in place to start the reshaping process. The reshaping process takes place automatically. Follow the operating instructions of the Walform machine.

⚠ Caution: Make sure to select the correct tool, in line with the tube dimensions, the tube material and the selected WalformPlus system.


6. Verification of the reshaped tube

The two functional surfaces ① and ② must be shaped in such a way that a flat contact surface has formed. Care must therefore be taken to ensure that the tube sealing face ① is not damaged, especially not by axial scoring! Damage to the tube's sealing face will reduce the pressure strength and service life of the fitting.

- ① 12° taper for a positive fit inside the fitting stud
- ② 45° taper for fitting the union nut


7. Final assembly inside the fitting stud

Using an appropriate wrench, tighten the union nut until there is a clearly detectable increase in the required force (point of resistance). Next, complete the assembly by means of a 120° rotation (two wrench faces).

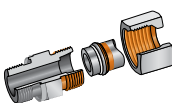
⚠ Caution: Any deviation from the specified tightening rotation will reduce the nominal pressure rating and the service life of the fitting. This may cause leakage or other malfunctions.

Important: Hold the fitting stud in place by means of a wrench.

8. Re-assembly

After each time the fitting is disassembled, the union nut must be retightened. Any re-assembly must be carried out in the same way as the final assembly!

Important: In the case of stainless steel fittings, the threads and the tube parts that will be reshaped must be sufficiently lubricated with Danfoss Waltech ABF grease (anti-block grease) prior to re-assembly.



Danfoss Waltech ABF grease
(anti-block grease)
Stainless steel (1.4571)

Application: Prior to assembly, the fittings must be thoroughly cleaned and the threads in particular checked for damage. All contact surfaces must be sufficiently coated with Danfoss Waltech ABF grease (anti-block grease) using a brush or a lint-free cloth. After greasing, the fittings must be immediately assembled to prevent contamination. For best results, use Danfoss Waltech stainless steel nuts with silver-plated threads (AG/AGP) plus Danfoss Waltech ABF grease (anti-block grease).

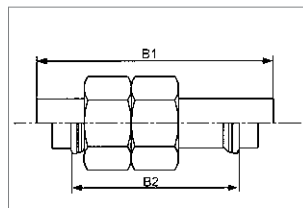
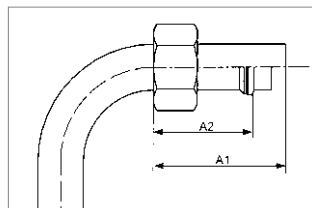

Tube length determination*
Steel
Stainless steel (1.4571)
C

WalformPlus-M							
d (mm)	s (mm)						
	2	2.5	3	3.5	4	5	6
8 L	8.5 / 15.5	7.5 / 15.0	8.0 / 15.0				
8 S	8.0 / 15.0	7.5 / 15.0	7.5 / 14.5			Steel L1 (mm) L2 (mm) Stainless steel (1.4571) L1 (mm) L2 (mm)	
10 L	8.0 / 15.0 6.5 / 14.0	6.5 / 14.0	7.0 / 14.0 6.5 / 14.0				
10 S	7.5 / 15.5 6.0 / 14.0	6.0 / 14.0	6.0 / 13.5 6.0 / 14.0				
12 L	6.0 / 13.5 7.0 / 14.0		6.5 / 13.5		5.5 / 12.5		
12 S	6.0 / 13.5 6.5 / 14.0		6.0 / 13.5		5.0 / 12.5		
15 L	6.0 / 13.5 6.5 / 14.0		6.0 / 13.0 6.5 / 13.5				
16 S	7.0 / 15.5 8.5 / 16.5	8.5 / 16.5	8.5 / 16.5			6.5 / 15.5 6.5 / 14.0	
18 L	8.5 / 16.5	5.5 / 13.0				5.5 / 13.0 8.5 / 16.5	
20 S		7.5 / 18.5 9.5 / 20.0				7.0 / 18.0 9.5 / 20.0	
22 L		7.0 / 14.5	6.0 / 13.5 7.5 / 15.0		6.5 / 14.0		
25 S		10.0 / 22.5	8.0 / 20.0 9.5 / 21.5			8.0 / 20.0 9.5 / 21.5	
28 L			6.0 / 13.5 7.5 / 15.0		6.5 / 14.0	7.0 / 15.0	
30 S			10.0 / 23.5		7.5 / 21.0	10.0 / 23.5	8.0 / 21.5
35 L						7.5 / 18.0 9.5 / 20.0	7.5 / 18.0
38 S			11.0 / 27.0		8.0 / 24.0 11.0 / 27.0	11.0 / 27.0	8.0 / 24.0 11.5 / 27.5
42 L						7.5 / 18.5	7.5 / 18.5

*The dimensions for determining the length of qualified tube lengths that are not given in the table are available on request.

Note

Any tube length differences must be appropriately compensated, for example by installing tube bends. Tubes that are longer or shorter than the specified tube length may result in leakage. Prior to installation, short straight tube sections without length compensation between the installation ends must be checked for compliance with the final dimension and adapted, if necessary.

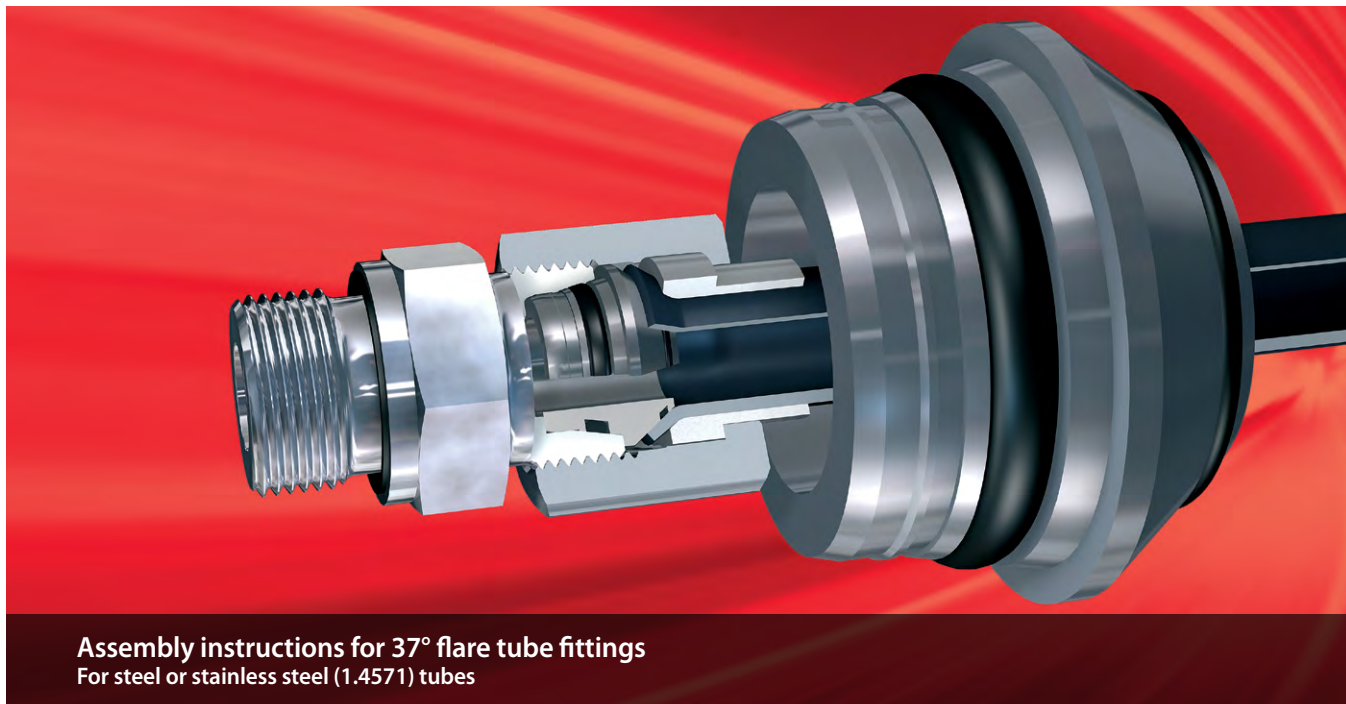

Minimum tube lengths for clamping straight and bent tubes
Steel
Stainless steel (1.4571)
C


Minimum length of straight tube (A)

Length of straight tube (B)

d (mm)	A1* (mm)	A2* (mm)	B1 (mm)	B2 (mm)
8 L	65 64	50 49	89 87	58 57
8 S	67 66	53 51	91 90	61 60
10 L	60 58	46 48	83 83	53 55
10 S	62 60	49 50	87 84	56 56
12 L	59 58	46 45	80 80	53 52
12 S	61 61	48 48	82 83	55 55
15 L	68 66	55 53	91 88	64 60
16 S	71 70	56 56	97 95	66 62
18 L	76 77	63 61	98 102	72 69
20 S	82 83	64 63	113 115	76 75
22 L	84 84	71 70	109 109	81 79
25 S	110 112	90 90	143 147	103 102
28 L	100 100	87 85	124 125	96 94
30 S	121 124	100 101	159 161	116 114
35 L	112 116	94 96	143 148	107 108
38 S	129 132	105 105	169 174	121 119
42 L	116	98	148	111

*If the straight tube end needs to be shorter than indicated in the table due to installation difficulties, it must be bent after reshaping.



Assembly instructions for 37° flare tube fittings
For steel or stainless steel (1.4571) tubes

Tube selection

The pressure strength specifications refer to the following tube grades:

Steel

Material: E235 / E355, to EN 10305-4 (formerly St. 37.4 / 52.4 to DIN 1630). Type: Seamless cold-drawn, normalized bright annealed steel, designation NBK as per DIN EN 10305-4.

Stainless steel

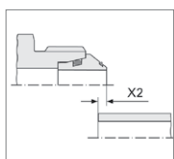
Material: X6CrNiMoti17122 (1.4571) to DIN EN 10216- 5 Type: Seamless cold-drawn, scale-free, heat-treated stainless steel, designation CFA as per DIN EN 10216-5 (formerly DIN 17458). Dimensions and tolerances to DIN EN 10305-4 (formerly DIN 2391-1). Additional stainless steel grades

are available on request.

Calculated pressures: DIN 2413.

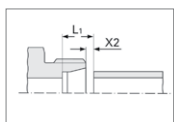
⚠ Caution: Materials or tolerances that deviate from the recommended tube specifications may result in tool break, incorrect installation or total failure of the fitting.

⚠ Caution: The specified nominal pressure ratings always refer to the fitting. For tube pressure ratings, see the specifications of the respective manufacturers!



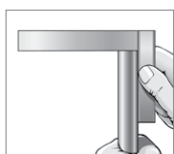
1. Determining the tube length if the intermediate ring is pressed in

The tube length is determined by measuring the distance between the face ends of two intermediate rings, to which the length X2 must then be added for each tube connection (see tables).



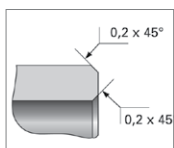
Determining the tube length without intermediate ring

The tube length is determined by measuring the distance between the face ends of two studs, from which the length X1 must then be subtracted for each tube connection (see tables). The length L1 corresponds to the difference in tube length compared to cutting-ring fittings to DIN 2353. When converting from a ring fitting (e.g. cutting ring) to flared fitting parts, the tube must be shortened by the length L1.



2. Cut the tube at a right angle

Cut off the tube at least 10 mm from the manufacturer's cut-off (this is a common source of error due to delivery conditions). Cut the tube at a right angle; an angular deviation of 1/2° from the tube axis is permissible. Do not use pipe cutters or cut-off saws, as these will result in pronounced burring or diagonal cuts. Use a sawing machine or similar equipment.

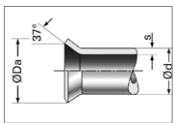


3. Gently deburr the tube ends and clean the tube

Deburr the inside and outside of the tube (max. 0.2 x 45°) and clean it. The clamping and reshaping area must be free of chips, dirt and paint! The clamping area should be free of grease and oil! If the tube end is greasy or oily, use an environmentally friendly solvent.


4. Tube flare

Slide the union nut and the sleeve onto the tube as shown. Flare the tube end using an Danfoss Waltech flaring machine (see the operating instructions for flaring machines).


5. Verification of the flared tube

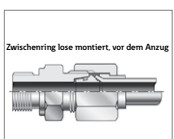
Verify the dimensional accuracy of the flare (see tables) and check for any contamination. The outer diameter of the flare should correspond to the verification diameter (Da). The flare must be at a right angle to the tube axis and concentric with the tube and the sleeve. Uneven and off-center flares indicate faulty tools or operating errors. The inner taper of the flared tube must be clean. Proper flaring is a prerequisite for a long service life of the connection.



Zwischenring im Schraubstock eingepreßt

6. Insertion of the intermediate ring

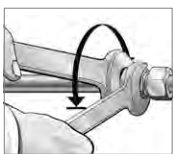
The intermediate ring should ideally be inserted using a vice. Protect the fitting parts from damage. Oil the O-rings before pressing them in.



Zwischenring lose montiert, vor dem Anzug

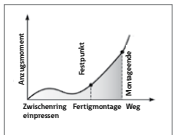
6.1 Alternatively, the intermediate ring can be loosely inserted into the fitting stud. Tighten the union nut manually.

Important: The threads of stainless steel fittings should be sufficiently greased with Danfoss Waltech ABF grease (anti-block grease) prior to assembly.


7. Final assembly with pressed-in intermediate ring (point 6)

Tighten the union nut until there is a clearly detectable increase in the required force (point of resistance).

Next, complete the final assembly: 1/2 rotation
1/4 rotation for sizes 6 L to 12 L


7.1 Final assembly with loosely mounted intermediate ring (point 6.1)

Tighten the union nut until there is a clearly detectable increase in the required force (point of resistance). Doing so will press the intermediate ring into the stud.

Next, complete the final assembly: 1/2 rotation
1/4 rotation for sizes 6 L to 12 L

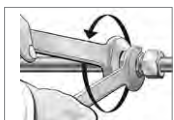
7.2 Final assembly using a torque wrench

The torque values for the required increase in tightening force can be found in the corresponding table (see the "tightening torque" table).

Important: Hold the fitting stud in place by means of a wrench

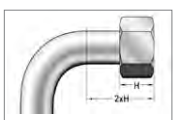
△ Caution: Any deviation from the specified torque/tightening rotation will reduce the nominal pressure rating and the service life of the fitting. This may cause the fitting to leak.

Important: In the case of stainless steel fittings, the threads and the contoured edge of the sleeve must be sufficiently lubricated with Danfoss Waltech ABF grease (anti-block grease) prior to re-assembly.


8. Re-assembly

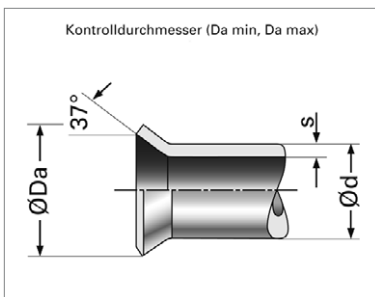
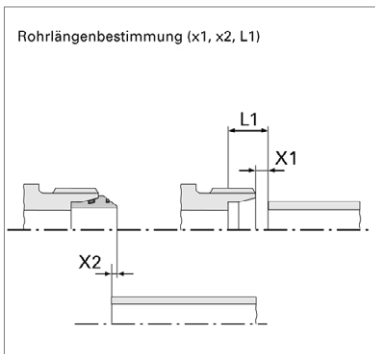
After each time the fitting is disassembled, the union nut must be retightened (same torque as during final assembly).

Important: In the case of stainless steel fittings, the threads and the contoured edge of the sleeve must be sufficiently lubricated with Danfoss Waltech ABF grease (anti-block grease) prior to re-assembly.


9. Minimum length of straight tube ends in the case of tube bends and minimum length of straight tubes (see tables).

Tightening torque

C	Series	Tube outer diameter (mm)	Steel (Nm)	Stainless steel (1.4571) (Nm)
L		6	20	30
		8	40	55
		10	45	65
		12	55	110
		15	70	190
		18	120	250
		22	200	400
		28	300	550
		35	600	900
		42	800	900
	S		6	30
		8	45	100
		10	55	130
		12	80	190
		14	90	260
		16	130	330
		20	250	350
		25	400	700
		30	500	900
	38	800	900	

Tube length and control diameter


d (mm)	s (mm)	X1 (mm)	X2 (mm)	L1 (mm)	Da min (mm)	Da max (mm)
6	1	1	3.5	8	9.1	10
	1.5	2	2.5	9		
8	1	1	4	8	11.3	12
	1.5	2	3	9		
10	1	1	4.5	8	13.1	14
	1.5	2	3.5	9		
12	1	1	4.5	8	15.3	16
	1.5	2	3.5	9		
14	2	3	2.5	10	18.6	19.6
	1.5	0.5	5.5	8.5		
15	2	1	5	9	19.1	20
	2.5	2	4	10		
16	3	3	3	11	20.6	22
	1.5	1	4.5	8		
18	2	2	3.5	9	23.2	24
	2.5	3	2.5	10		
20	1.5	0	6.5	8.5	25.6	26.8
	2	1	5.5	9.5		
22	2.5	1.5	5	10	26.5	27.5
	3	2.5	4	11		
25	1.5	1	5.7	8.5	31.1	33
	2	2	4.7	9.5		
28	2.5	3	3.7	10.5	32.7	33.3
	3	3.5	3.2	11		
30	2	1	7	13	37	38.7
	2.5	1.5	6.5	13.5		
35	3	2.5	5.5	14.5	41.8	42.7
	4	4	4	16		
38	2	1.5	6.5	12	46	47.2
	2.5	2	6	12.5		
42	3	3	5	13.5	48.8	49.8
	4	4.5	3.5	15		
42	2.5	0	10	16	46	48
	3	0.5	9.5	16.5		
42	4	2	8	18	46	48
	5	4	6	20		
42	6*	2.5	7.5	18.5	46	48
	2	1.5	7	12.5		
42	3	3	6.5	14	48.8	49.8
	4	4.5	5	15.5		

*Only with flaring machine MEG-BO2, MEG-WF1/BO2 and special flaring clamps.

Length of straight tube the until start of the bending radius

C

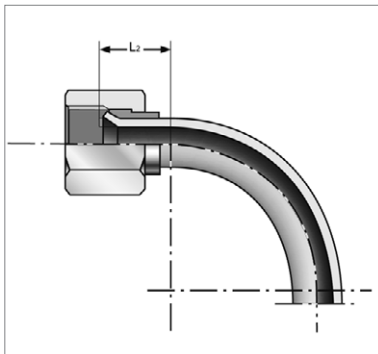


“Bend first, then flare”

Length of the straight tube end (**length L1**) until the start of the bending radius

- a) Manual flaring tool
- b) Flaring machine

Tube outer diameter (mm)	L1	
	Manual flaring tool	Flaring machine MEG-B02 MEG-WF1/B02 MHH-B0
6	36	43
8	37	44
10	39	46
12	45	47
14	46	50
15	46	50
16	48	52
18	46	58
20	50	58
22	50	60
25	72	60
28	70	60
30	73	62
35	72	62
38	78	70
42	73	70

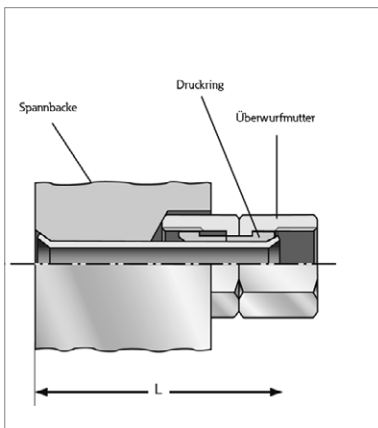


“Flare first, then bend”

If the straight tube end (**length L2**) needs to be shorter than indicated in the table due to installation difficulties, it must first be flared and then bent (see tube bending tools).

Tube outer diameter (mm)	L2
10	15
12	15
15	17
16	21
18	18

Tube diameters 6, 8 and 14 are available on request.



Minimum length of straight tube L

Tube outer diameter (mm)	L	
	Manual flaring tool	Flaring machine MEG-B02 MEG-WF1/B02 MHH-B0
6	52	59
8	54	62
10	55	64
12	63	67
15	67	75
18	67	76
22	71	81
28	93	88
35	100	92
42	110	130
<hr/>		
6	51	61
8	53	64
10	54	66
12	62	68
14	67	74
16	69	79
20	73	82
25	99	94
30	100	96
38	110	136

Pressure setting of the flaring machine M-WF385X/BO
M-WF385X/BO

Steel E235 / E355

Tube outer diameter (mm)	Wall thickness s (mm)	Potentiometer setting M-WF385X/BO	Flare diameter Da (mm)	
			min.	max.
16	2.0	20	20.6	22.0
	2.5	28		
	3.0	30		
20	2.0	25	25.6	26.8
	2.5	28		
	3.0	30		
	3.5	35		
22	2.0	25	25.6	27.5
	2.5	35		
25	3.0	32	31.1	33.0
	4.0	39		
28	3.0	30	32.7	33.3
	4.0	35		
30	5.0	40	37.0	38.7
	3.0	30		
35	5.0	50	41.8	42.7
	4.0	35		
38	5.0	50	46.0	47.2
	6.0	50		
42	3.0	55	48.8	49.8
	4.0	65		

Pressure setting of the flaring machine MHH-BO
MHH-BO

Steel E235 / E355

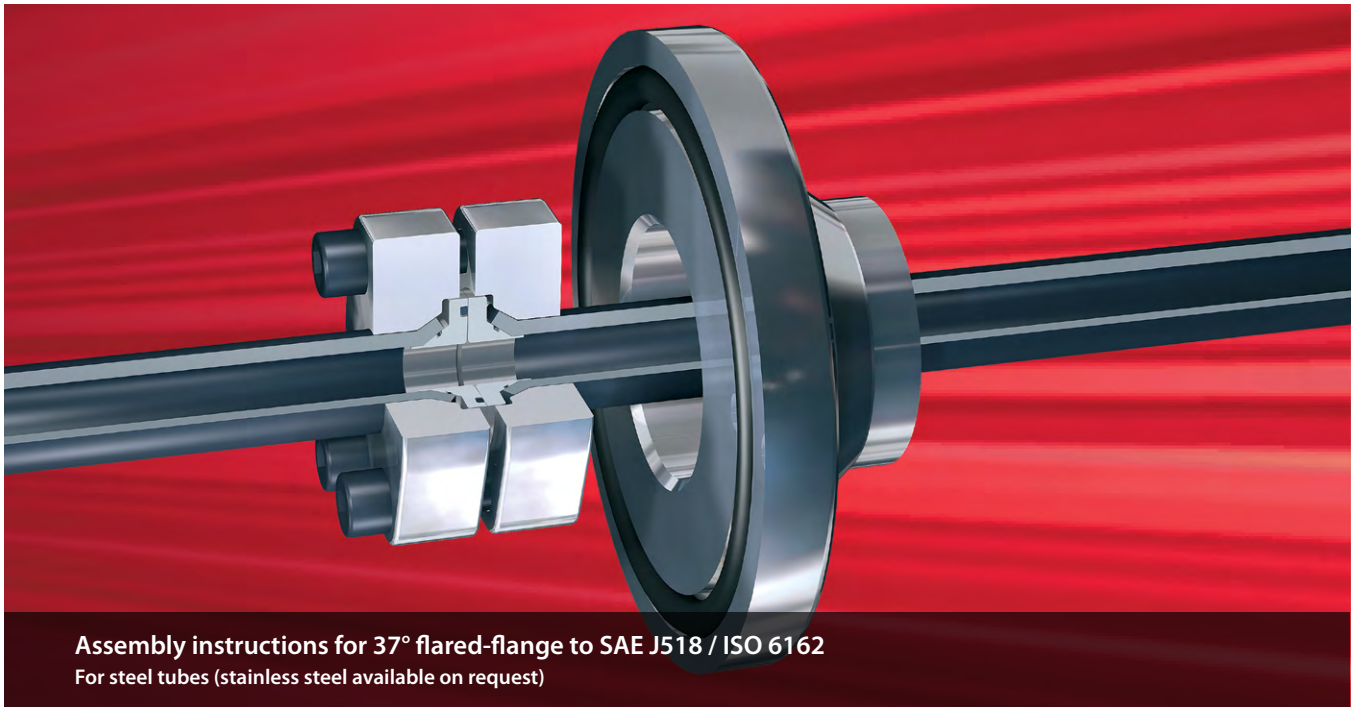
Tube outer diameter (mm)	Wall thickness s (mm)								
	1	1.5	2	2.5	3	3.5	4	5	6
6	110	160							
8	100	150	200						
10	90	140	180						
12	80	140	170						
14		140	160	270	370				
15		140	160	200					
16		140	140	250	370				
18		140	140	250					
20			150	250	350	440			
22		160	160	260	350				
25			200	280	360		500		
28			210	290	360				
30			230	300	370		500	600	
35			250	320	390		500		
38				360	410		600	600	620 ¹
42			280		420		500		

Special clamps are available on request.

¹For materials to the latest standards, see Chapter B.

**Danfoss Waltech ABF grease
(anti-block grease)
Stainless steel (1.4571)**

Application: Prior to assembly, the fittings must be thoroughly cleaned and the threads in particular checked for damage. All contact surfaces must be sufficiently coated with Danfoss Waltech ABF grease (anti-block grease) using a brush or a lint-free cloth. After greasing, the fittings must be immediately assembled to prevent contamination. For best results, use Danfoss Waltech stainless steel nuts with silver-plated threads (AG/AGP) plus Danfoss Waltech ABF grease (anti-block grease).



Tube selection

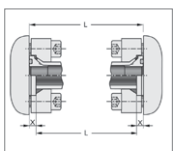
The pressure strength specifications refer to the following tube grades:

Steel Material: Steel E235 / E355, to EN 10305-4 (formerly St. 37.4 / 52.4 to DIN 1630). Type: Seamless cold-drawn, normalized bright annealed steel, designation NBK as per DIN EN 10305-4.

Calculated pressures: DIN 2413

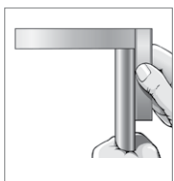
⚠ Caution: Materials or tolerances that deviate from the recommended tube specifications may result in tool break, incorrect installation or total failure of the fitting.

⚠ Caution: The specified nominal pressure ratings always refer to the fitting. For tube pressure ratings, see the specifications of the respective manufacturers!



1. Tube length determination

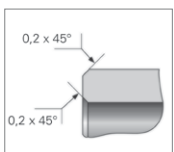
The tube length is determined by measuring the distance between the fittings (L1), from which the length X must be subtracted for each tube connection. The length X can be found in the operating instructions and/or in the corresponding tables.



2. Cut the tube at a right angle

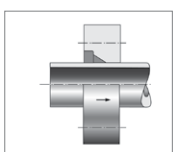
Cut off the tube at least 10 mm from the manufacturer's cut-off (this is a common source of error due to delivery conditions). Cut the tube at a right angle; an angular deviation of 1/2° from the tube axis is permissible. Do not use pipe cutters or cut-off saws, as these will result in pronounced burring or diagonal cuts. Use a sawing machine or similar equipment.

⚠ Caution: Deviations in the tube end shape, e.g. tubes that were cut at an angle or incorrectly deburred, will reduce the service life and the tightness of the fitting.



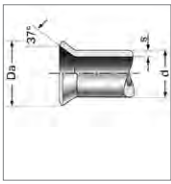
3. Gently deburr the tube ends and clean the tube

Deburr the inside and outside of the tube (max. 0.2 x 45°) and clean it. The clamping and reshaping area must be free of chips, dirt and paint! The clamping area should be free of grease and oil! If the tube end is greasy or oily, use an environmentally friendly solvent.

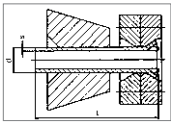
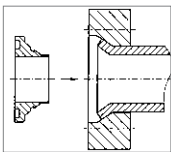


4. Tube flare

Slide the flange onto the tube as shown. Flare the tube end using an Danfoss Waltech flaring machine (see operating instructions for flaring machines).


5. Verification of the flared tube

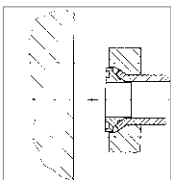
Check the diameter D_a of the flared tube for dimensional accuracy and any contamination. The control diameter (D_a) (see the "machine settings" table) corresponds to the outer diameter of the flared collar. The dimensions can be found in the operating instructions and/or the corresponding tables. The flare must be at a right angle to the tube axis and concentric with the tube and the flange. Uneven and off-center flares indicate faulty tools or operating errors. Proper flaring is a prerequisite for a long service life of the connection.


6. Minimum length of straight tube ends in the case of tube bends and minimum length of straight tubes (see tables)

7. Insert the intermediate ring into the flange

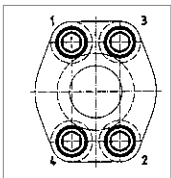
Make sure that the soft seals are properly positioned. Place the intermediate ring in the flared tube with the centering element first. Slide the flange over the intermediate ring. The centering element must not be used to secure the intermediate ring inside the tube!

8. Fit the screws

Insert four screws (hexagon head or hexagon socket head) into the clearance holes provided. Hexagon socket head screw (DIN EN ISO 4762) - hexagon head screw (DIN EN ISO 4014).


9. Fit the flange

Place the flange on the connection point. (If two tubes need to be connected, the flanges should be in contact with one another.) Manually screw in the screws.


10. Tighten the screws

The screws must be tightened based on torque (see below). Rotation-based assembly is not possible! Tighten the screws in crosswise (1-2-3-4) sequence and several torque steps until the maximum torque is reached.

⚠ Caution: Any deviation from the specified torque will reduce the nominal pressure rating and the service life of the fitting. This may cause the fitting to leak.

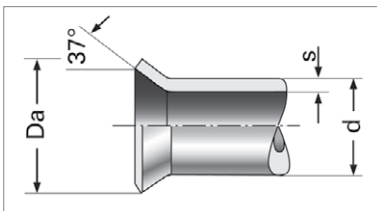
Screw tightening torque

Flange 3,000 PSI (")	Screw	Flange 6,000 PSI (")	Screw (mm) Ø	Torque M for 8.8 screw (Nm)
1/2	M8 x 30	1/2	M8 x 30	25
3/4	M10 x 35	3/4	M10 x 35	53
1	M10 x 35			
1 1/4	M10 x 40	1	M12 x 45	95
1 1/2	M12 x 40			
2	M12 x 45			
		1 1/4	M14 x 55	150
		1 1/2	M16 x 60	220
		2	M20 x 60	390

There is a safety margin of 2.5 in the case of 8.8 screws.

Machine settings / flare control diameter

C



Steel E235

Tube outer diameter (mm)	Wall thickness S (mm)	M-WF385X/B0	Flare diameter Da (mm)	
			min.	max.
16	2.0	20	20.6	22.0
	2.5	28		
	3.0	30		
20	2.0	25	25.6	26.8
	2.5	28		
	3.0	30		
	3.5	35		
	4.0	45		
22	2.0	25	26.5	27.5
	2.5	35		
25	3.0	32	31.1	33.0
	4.0	39		
	4.0	39		
28	3.0	30	32.7	33.3
	4.0	35		
30	5.0	40	37.0	38.7
	5.0	40		
35	3.0	30	41.8	42.7
	5.0	50		
38	4.0	35	46.0	47.2
	5.0	50		
	6.0	50		
42	3.0	55	48.8	49.8
	4.0	65		
48.3	3.2	50	58.0	59.0
	2.5	48		
	3.0	50		
50	5.0	55	59.0	60.5
	6.0	70		
	8.0	83		
	8.0	83		
60	3.0	40	70.0	71.0
60.3	3.6	50		
	5.6	-		
60	5.0	65		
	6.0	80		
60 / 60.3	8.0	95		
	10.0	-		

The settings indicated above are only valid for E235 steel tubes. Tubes made from stronger material require a higher pressure setting. The pressure setting must be increased until the specified collar diameter is reached and the flare geometry has fully formed (both inside and outside).

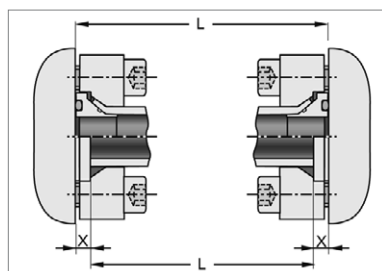
⚠ Caution: Do not attempt to determine the pressure setting by means of subsequent flaring; use a new piece of tube each time (test flaring). For materials to the latest standards, see section B12.

Correct



Incorrect

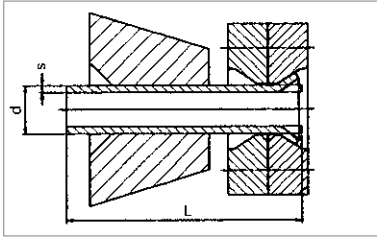


Length X ± 0-5 mm for determining the tube length

C

Tube outer diameter (mm)	Wall thickness S (mm)	1/2 "	3/4 "	1"	1 1/4"	1 1/2"	2"
16	2.0	5.4					
	2.5	5.7					
	3.0	5.9					
20	2.0	6.0	7.6				
	2.5	6.1	7.7				
	3.0	6.2	7.8				
	3.5	6.3	7.9				
	4.0	6.3	7.5				
22	2.0	6.2					
25	2.5		6.7	8.6			
	3.0		6.5	8.4			
	4.0		6.3	8.2			
28	3.0		6.6				
30	4.0			7.4			
	5.0			7.5	8.1		
35	3.0			6.9			
	5.0			6.5			
38	4.0				6.6	7.7	
	5.0			4.8	5.8	6.4	
	6.0				4.7	5.1	
42	3.0				7.0	9.1	
	4.0				6.8	9.2	
48.3	3.2					7.5	
50	2.5					8.1	
	3.0					7.9	
	5.0					7.7	
	6.0					7.5	
	8.0					7.3	
60	3.0						10.6
60.3	3.6						10.3
	5.6						9.6
60	5.0						9.2
	6.0						8.8
60 / 60.3	8.0						8.1
	10.0						7.5

Minimum length of straight tube L

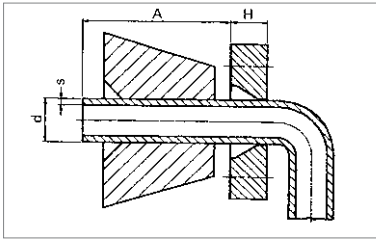
C



3,000 PSI (mm)	
Flange (")	M-WF385X/B0 (MEG-WF2/B0)
1/2	112
3/4	114
1	118
1 1/4	120
1 1/2	124
2	128

6,000 PSI (mm)	
Flange (")	M-WF385X/B0 (MEG-WF2/B0)
1/2	112
3/4	118
1	129
1 1/4	140
1 1/2	144
2	144

Minimum length of straight tube ends in the case of tube bends



C



Minimum tube length A for all sizes (mm)

M-WF385X/BO
(MEG-WF2/BO)

80

Flange (")	Flange height 3,000 PSI (mm)	Flange height 6,000 PSI (mm)
1/2	16	16
3/4	17	19
1	19	24,5
1 1/4	20	30
1 1/2	22	32
2	24	32

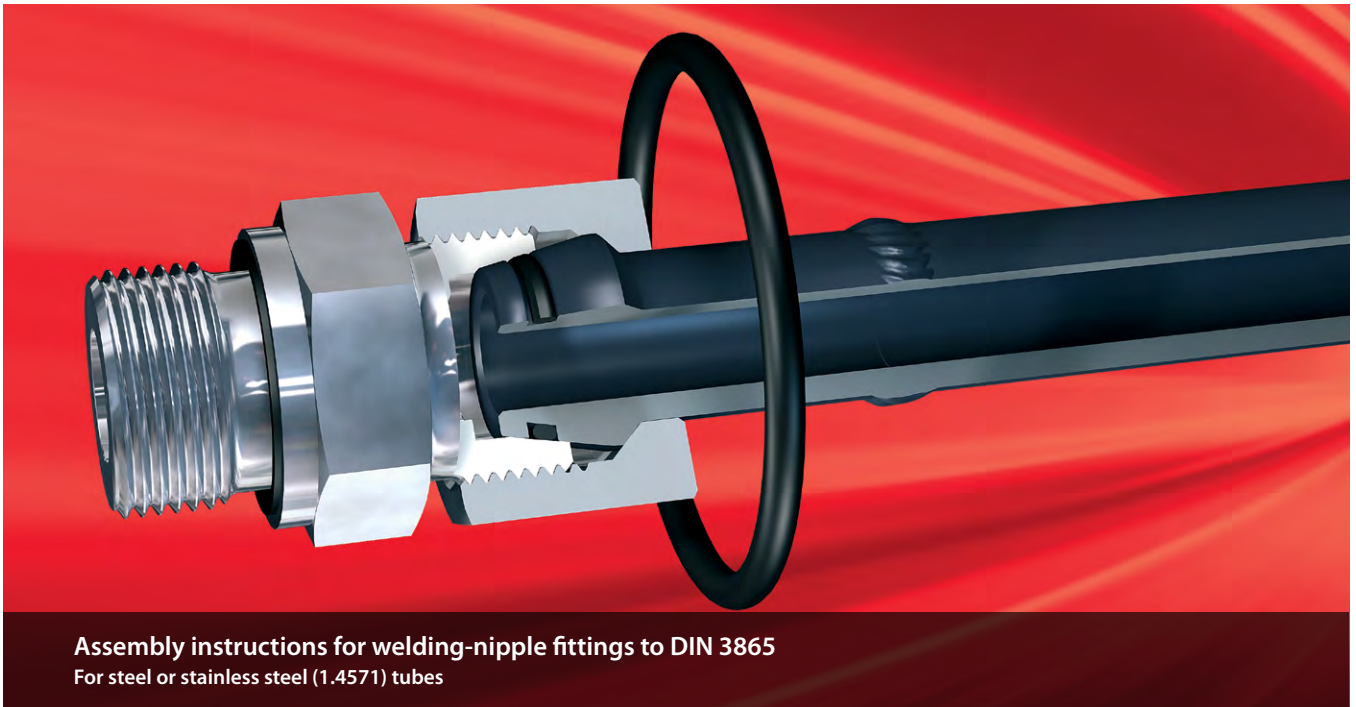


Danfoss Waltech ABF grease
(anti-block grease)

Stainless steel (1.4571)

Application: Prior to assembly, the fittings must be thoroughly cleaned and the threads in particular checked for damage. All contact surfaces must be sufficiently coated with Danfoss Waltech ABF grease (anti-block grease) using a brush or a lint-free cloth. After greasing, the fittings must be immediately assembled to prevent contamination. For best results, use Danfoss Waltech stainless steel nuts with silver-plated threads (AG/AGP) plus Danfoss Waltech ABF grease (anti-block grease).

C



Assembly instructions for welding-nipple fittings to DIN 3865
For steel or stainless steel (1.4571) tubes

Tube selection

The pressure strength specifications refer to the following tube grades:

Steel

Material: Steel E235 / E355, to EN 10305-4 (formerly St. 37.4 / 52.4 to DIN 1630). Type: Seamless cold-drawn, normalized bright annealed steel, designation NBK as per DIN EN 10305-4.

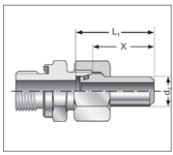
Stainless steel

Material: X6CrNiMoti17122 (1.4571) to DIN EN 10216- 5 Type: Seamless cold drawn, scale-free, heat-treated stainless steel, designation CFA as per DIN EN 10216-5 (formerly DIN 17458). Dimensions and tolerances to DIN EN 10305-4 (formerly DIN 2391-1).

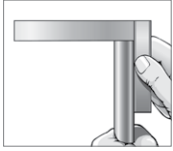
Calculated pressures: DIN 2413

⚠ Caution: Materials or tolerances that deviate from the recommended tube specifications may result in incorrect installation or total failure of the fitting.

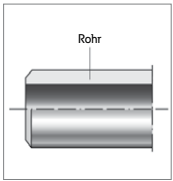
⚠ Caution: The specified nominal pressure ratings always refer to the fitting. For tube pressure ratings, see the specifications of the respective manufacturers!


1. Tube length determination

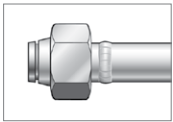
The tube length is determined by measuring the distance between the face ends of two fitting studs, from which the length X must then be subtracted for each tube connection. When converting from cutting ring to welding nipple fittings, the tube end must be shortened by the length L₁.


2. Cut the tube at a right angle

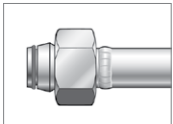
Cut off the tube at least 10 mm from the manufacturer's cut-off (this is a common source of error due to delivery conditions). Cut the tube at a right angle; an angular deviation of 1/2° from the tube axis is permissible. Do not use pipe cutters or cut-off saws, as these will result in pronounced burring or diagonal cuts. Use a sawing machine or similar equipment.


3. Before welding, chamfer the outside of the tube end, lightly deburr it and clean the inside

Deburr the inside and outside of the tube (max. 0.2 x 45°) and clean it. If the tube end is greasy or oily, use an environmentally friendly solvent.

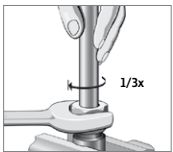

4. Slide the union nut onto the welding nipple and weld

Weld the welding nipple and the tube according to welding guidelines. Descal the welding point and clean the O-ring groove.


5. Mount the O-ring, which is supplied separately

Oil the thread and O-ring.

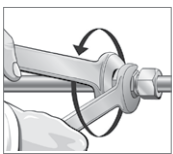
⚠ Caution: Make sure that the O-ring is not twisted.


6. Final assembly

Tighten the union nut manually. Tighten the union nut by a 1/3 rotation past the clearly detectable increase in the required tightening force. Hold the fitting stud in place by means of a wrench. The torque values for the required increase in tightening force can be found in the corresponding table (see the "tightening torque" table).

Note: When assembling welding nipples, tension on the tube must be avoided.

⚠ Caution: Any deviation from the specified tightening rotation will reduce the nominal pressure rating and the service life of the fitting. This may cause the fitting to leak.


7. Re-assembly

After each time the fitting is loosened, the soft seal must be checked for damage and replaced if necessary. Afterwards, firmly retighten the union nut. The torque during re-assembly must be the same as during initial assembly!

Tightening torque

Series	Tube outer diameter (mm)	Tightening torque (Nm)	Series	Tube outer diameter (mm)	Tightening torque (Nm)
L	6	20	S	6	20
	8	25		8	35
	10	45		10	50
	12	50		12	65
	15	60		14	70
	18	70		16	85
	22	130		20	135
	28	180		25	170
	35	300		30	280
	42	320		38	320

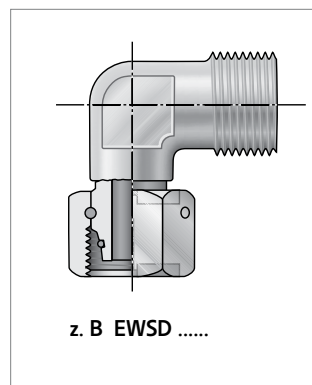
Tube length determination

Tube outer diameter (mm)	d ₂	L ₁	X
8	8	32	25
10	10	33.5	26
12	12	33.5	26
16	16	40.5	32
20	20	47	36.5
25	25	53.5	41.5
30	30	57.5	44
38	38	64.5	48.5

Note

Any tube length differences must be appropriately compensated, for example by installing tube bends. Tubes that are longer or shorter than the specified tube length may result in leakage. Prior to installation, short straight tube sections without length compensation between the installation ends must be checked for compliance with the final dimension and adapted, if necessary.

Assembly instructions for taper-seal fittings



Assembly of taper-seal fittings

Oil the O-ring. Align the tube connection in the required direction and tighten the union nut manually. Tighten the union nut by a 1/3 rotation past the clearly detectable increase in the tightening force (point of resistance).

Alternatively, in the case of steel fittings, tighten the union nut using a torque wrench (see the "tightening torque" table).

Important: Hold the fitting stud in place by means of a wrench. In case of unfavorable assembly conditions and with large tube sizes, final assembly must be carried out using a vice. Use the same fitting stud (see above) for this purpose.

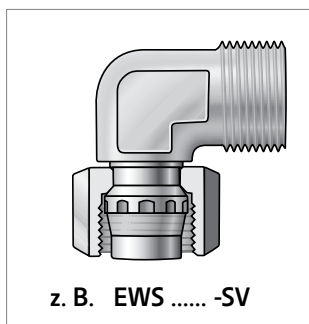
⚠ Caution: Any deviation from the specified torque/tightening rotation will reduce the nominal pressure rating and the service life of the fitting. This may cause the fitting to leak.

Important: The threads of stainless steel fittings must be cleaned and checked for damage prior to assembly. The fitting threads must be sufficiently lubricated using Danfoss Waltech ABF grease (anti-block grease). After greasing, the fittings must be immediately assembled to prevent any contamination.

Tightening torque

Series	Tube outer diameter (mm)	Tightening torque (Nm)	Series	Tube outer diameter (mm)	Tightening torque (Nm)
L	6	20	S	6	20
	8	25		8	35
	10	45		10	50
	12	50		12	65
	15	60		14	70
	18	70		16	85
	22	130		20	135
	28	180		25	170
	35	300		30	280
	42	320		38	320

Assembly instructions for standpipe fittings



Assembling the standpipe parts

Standpipe parts are always supplied with a pre-assembled profile ring. Final assembly: Align the tube connection in the required direction and tighten the union nut manually. Tighten the union nut by 1/2 a rotation past the detectable increase in the tightening force (point of resistance).

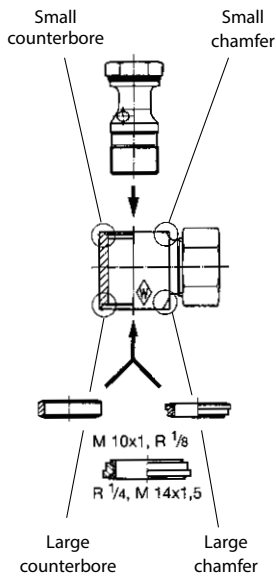
Important: Hold the fitting stud in place by means of a wrench. In case of unfavorable assembly conditions and with large tube sizes, final assembly must be carried out using a vice. Use the same fitting stud (see above) for this purpose.

Caution: Any deviation from the specified tightening rotation will reduce the nominal pressure rating and the service life of the fitting. This will cause the fitting to leak or the standpipe to slip out.

Important: The threads of stainless steel fittings must be cleaned and checked for damage prior to assembly. The fitting threads must be sufficiently lubricated using Danfoss Waltech ABF grease (anti-block grease). After greasing, the fittings must be immediately assembled to prevent any contamination.

Assembly instructions for adjustable fittings

C



Tightening torques of the soft-seal version (...-WD)

Tube outer diameter (mm)	LR series Md (Nm)	LM series Md (Nm)
6	25	25
8	50	60
10	50	60
12	80	85
15	140	100
18	140	140
22	210	215
28	1,400	400
35	600	600
42	850	850

	SR series Md (Nm)	SM series Md (Nm)
6	50	60
8	50	60
10	80	85
12	80	110
14	160	-
16	180	150
20	250	310
25	410	410
30	650	650
38	850	850

1. In the case of steel fittings, the port thread and the O-ring of the banjo bolt must be oiled.

1.1 In the case of stainless steel fittings, the port threads of the banjo bolts should be sufficiently greased with Danfoss Waltech ABF grease (anti-block grease). After greasing, the fittings must be immediately assembled to prevent any contamination. Oil the banjo-bolt O-ring.

2. Insert the banjo bolt through the banjo body (on the side that features a small counterbore).

3. Insert the sealing-edge ring or the soft-seal ring into the large counterbore in the body. The fitting is centered via the banjo bolt thread. If the soft-seal ring is used, the fitting is additionally centered via the counterbore in the body (there should be no clearance between the seal ring and the body; with thread sizes M 10x1, R 1/8, R 1/4 and M 14x1.5, only the smaller diameter of the seal ring will fit into the counterbore; with the remaining dimensions, only the larger one will fit).

4. Align the banjo body and tighten the banjo bolt using a wrench until there is a clearly detectable increase in the required torque (pressure point).

5.1 **With soft-seal ring:** While holding the body in place, use a wrench to tighten the banjo bolt by a 1/6 rotation (60°) past the pressure point (see the "tightening torque" table).

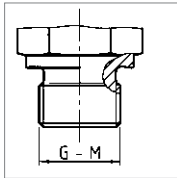
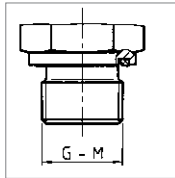
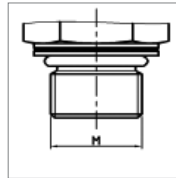
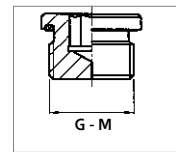
5.2 **With sealing-edge ring:** While holding the body in place, use a wrench to tighten the banjo bolt by a 1/4 rotation (90°) past the pressure point. The fitting is now fixed in place and sealed.

⚠ Caution: The tightening rotation of the soft-seal version is shorter and the tightening torque lower than for the banjo fitting with sealing-edge ring.

6. Re-assembly is possible. Check the O-ring and the soft seal for damage and replace if necessary.

Important: The threads of stainless steel fittings should be sufficiently greased with Danfoss Waltech ABF grease (anti-block grease) prior to re-assembly.

⚠ Caution: Any deviation from the specified tightening rotation will reduce the nominal pressure rating and the service life of the fitting. This may cause the fitting to leak.

Tightening torques for steel studs to DIN 3852
Type B

Type E

Type F

Blanking ends
VS-R ...-WD, VS-M ...-WD

C

Series	Tube outer diameter (mm)	Standard value				
		G-M	Type B Md (Nm)	Type E Md (Nm)	M	Type F Md (Nm)
L	6	M 10 x 1	18	18	M 10 x 1.5	15
	8	M 12 x 1.5	30	25	M 12 x 1.5	25
	10	M 14 x 1.5	45	45	M 14 x 1.5	35
	12	M 16 x 1.5	65	55	M 16 x 1.5	40
	15	M 18 x 1.5	80	70	M 18 x 1.5	45
	18	M 22 x 1.5	140	125	M 22 x 1.5	60
	22	M 26 x 1.5	190	180	M 27 x 2	100
	28	M 33 x 2	340	310	M 33 x 2	160
	35	M 42 x 2	500	450	M 42 x 2	210
	42	M 48 x 2	630	540	M 48 x 2	260
S	6	M 12 x 1.5	35	35	M 12 x 1.5	35
	8	M 14 x 1.5	55	55	M 14 x 1.5	45
	10	M 16 x 1.5	70	70	M 16 x 1.5	55
	12	M 18 x 1.5	110	90	M 18 x 1.5	70
	14	M 20 x 1.5	150	125		
	16	M 22 x 1.5	170	135	M 22 x 1.5	100
	20	M 27 x 2	270	180	M 27 x 2	170
	25	M 33 x 2	410	310	M 33 x 2	310
	30	M 42 x 2	540	450	M 42 x 2	330
	38	M 48 x 2	700	540	M 48 x 2	420
L	6	G 1/8 A	18	18		
	8	G 1/4 A	35	35		
	10	G 1/4 A	35	35		
	12	G 3/8 A	70	70		
	15	G 1/2 A	140	90		
	18	G 1/2 A	100	90		
	22	G 3/4 A	180	180		
	28	G 1 A	330	310		
	35	G 1 1/4 A	540	450		
	42	G 1 1/2 A	630	540		
S	6	G 1/4 A	55	55		
	8	G 1/4 A	55	55		
	10	G 3/8 A	90	80		
	12	G 3/8 A	90	80		
	14	G 1/2 A	130	115		
	16	G 1/2 A	130	115		
	20	G 3/4 A	270	180		
	25	G 1 A	340	310		
	30	G 1 1/4 A	540	450		
	38	G 1 1/2 A	700	540		

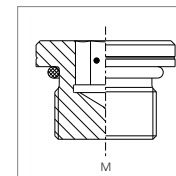
Note:

Oil the stud before screwing it in!

The tightening torques refer to counterparts made of steel.

The permissible tolerance of the values in the table is +10%

G-M	PN	Standard value Md (Nm)
G 1/8 A		10
G 1/4 A		30
G 3/8 A	400	40
G 1/2 A		80
G 3/4 A		120
G 1 A		200
G 1 1/4 A	250	350
G 1 1/2 A		400
G 1 1/4	400	400
G 1 1/2		500
M 10 x 1		10
M 12 x 1.5		20
M 14 x 1.5		30
M 16 x 1.5		40
M 18 x 1.5		50
M 20 x 1.5	400	60
M 22 x 1.5		80
M 26 x 1.5		100
M 27 x 2		120
M 33 x 2		200
M 42 x 2	250	350
M 48 x 2		400
M 42 x 2	400	400
M 48 x 2		500

VS... blanking ends M-OR


M	Standard value Md (Nm)
M 10 x 1.5	20
M 12 x 1.5	35
M 14 x 1.5	45
M 16 x 1.5	55
M 18 x 1.5	70
M 22 x 1.5	100
M 27 x 2	170
M 33 x 2	310
M 42 x 2	330
M 48 x 2	420

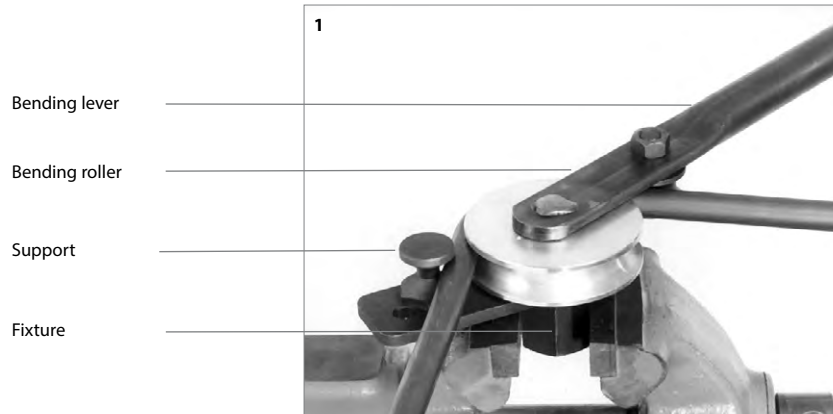
Instructions for tube bending

For tubes with an outer diameter of 6-18 mm

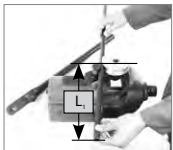


Tube outer diameter 6-12 mm
Art. no. WAL033012

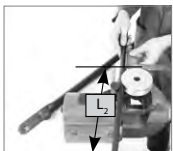
Tube outer diameter 10-18 mm
Art. no. WAL033020



2. Clamp the fixture and screw in the support. Attach a bending roller of the required size (the tube outer diameter is indicated on the bending roller).



3. **Determining the tube length L_1**
 Mark the desired distance between the straight tube end and the beginning of the tube bend. Insert the tube and align it so that the marking is at a right angle to the center of the bending roller.



4. **Determining the tube length L_2 (only for 90° bends)**
 Mark the required distance between the straight end of the tube and the beginning of the bend. Insert the tube and align it so that the marking is at a right angle to the outer edge of the bending roller.



5. Insert the bending lever and bend the tube quickly until the required final shape is almost reached. While bending, gently move the tube along manually.



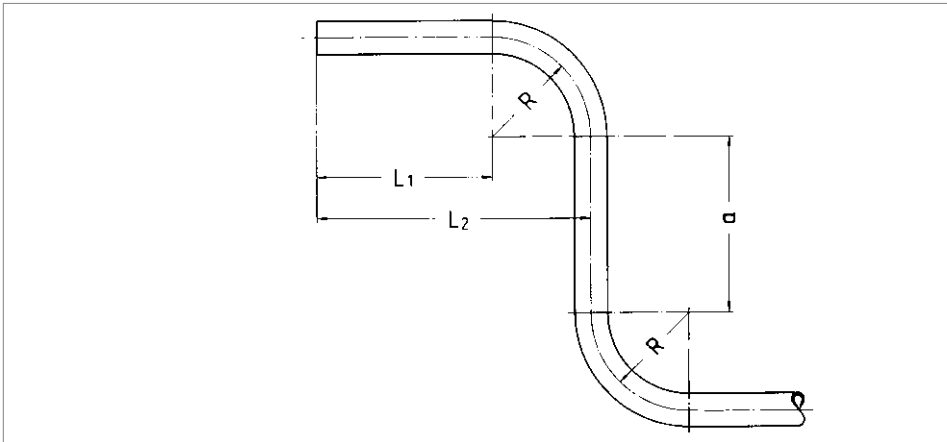
6. Slowly pull the bending lever until the required bending angle is reached.



7. Remove the bent tube. With complicated tube bends, it may also be necessary to remove the bending lever and the bending roller.

Determining the length and radius

For tubes with an outer diameter of 6-18 mm



C

Tube outer diameter (mm)	Tube outer diameter 6-12 mm		Tube outer diameter 10-18 mm	
	Art. no. WAL033012		Art. no. WAL033012	
	R	a / L1 min	R	a / L1 min
6	20	36	-	-
8	20	36	-	-
10	25	32	36	64
12	25	32	36	64
15	-	-	43	53
16	-	-	44	53
18	-	-	51	73

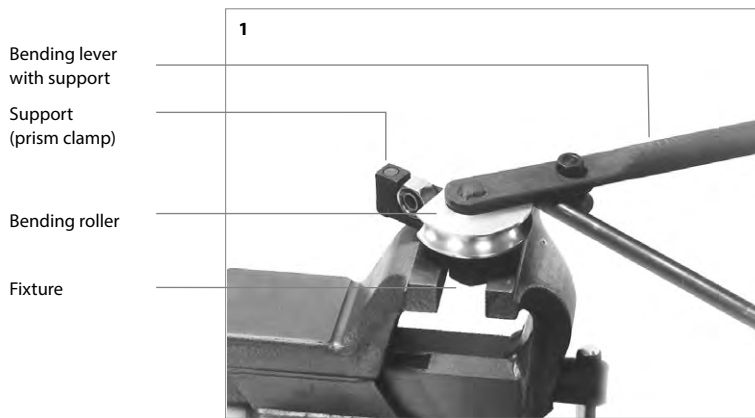
Instructions for tube bending

For tubes with an outer diameter of 10-18 mm

C

If the tube bending tool SA1 is used, tubes can be bent directly behind an already mounted nut.

Art. no. WAL063805



2. Clamp the fixture and attach the prism clamp (in accordance with the tube outer diameter). Attach a bending roller of the required size (the tube outer diameter is indicated on the bending roller).



3. Insert the tube together with the nut, so that the nut is positioned between the prism clamp and the bending roller. Attach the bending lever.

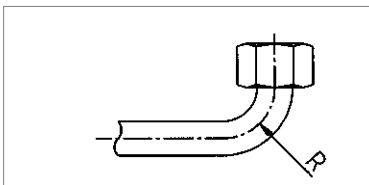


4. Quickly bend the tube until the required final shape is almost reached. While bending, gently move the tube along manually. Slowly pull the bending lever until the required bending angle is reached.



5. Remove the bent tube. With complicated tube bends, it may also be necessary to remove the bending lever and the bending roller.

Radius determination



Tube outer diameter 10-18 mm

Art. no. WAL063805

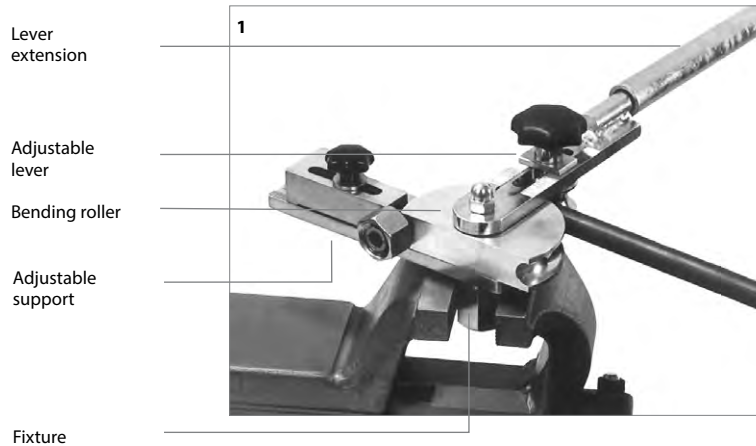
Tube outer diameter (mm)	R
10	36
12	36
15	44
16	44
18	52

Instructions for tube bending

For tubes with an outer diameter of 6-22 mm

If the tube bending tool SA2 is used, tubes can be bent 24 mm behind an already mounted nut.

Art. no. WAL615706



C



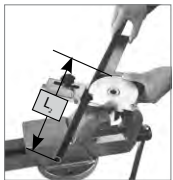
2. Bending 24 mm behind the nut

Clamp the fixture using the adjustable support. Attach a bending roller of the required size (the tube outer diameter is indicated on the bending roller). Insert the tube and fix the support in place in accordance with the tube outer diameter. The nut should rest on the flat surfaces of the support and the bending roller.



3. Bending after determining the tube length L_1

Clamp the fixture using the adjustable support. Attach a bending roller of the required size (the tube outer diameter is indicated on the bending roller). Turn the support, so that the broad surface points towards the bending roller. Mark the desired distance between the straight tube end and the beginning of the tube bend. Insert the tube and align it so that the marking is at a right angle to the center of the bending roller.



4. Bending after determining the tube length L_2 (only for 90° bends)

Clamp the fixture using the adjustable support. Attach a bending roller of the required size (the tube outer diameter is indicated on the bending roller). Turn the support, so that the broad surface points towards the bending roller. Mark the required distance between the straight end of the tube and the beginning of the bend. Insert the tube and align it so that the marking is at a right angle to the outer edge of the bending roller.



5. Attach the adjustable lever and lock it in position in accordance with the tube outer diameter.

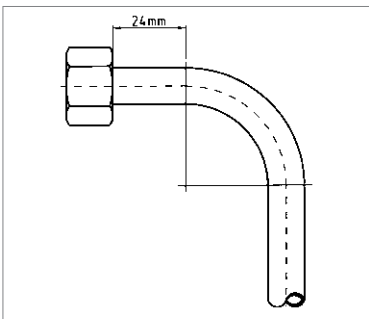


6. Attach the lever extension. Quickly bend the tube until the required final shape is almost reached. While bending, gently move the tube along manually. Slowly pull the bending lever until the required bending angle is reached.



7. Release the support to remove the tube bend. Remove the bent tube. With complicated tube bends, it may also be necessary to remove the lever and the bending roller.

Radius determination



Tube outer diameter 6-22 mm

Art. no. WAL615706

Tube outer diameter (mm)	R
6	36
8	36
10	36
12	36
14	36
15	44
16	44
18	52
20	64
22	63

Installation guidelines for tube assemblies

Installation guidelines:

- Any tube length differences and heat expansions must be appropriately compensated, for example by installing tube bends.
- Tubes that are longer or shorter than the specified tube length may cause leakage.
- Prior to installation, short straight tube sections without length compensation between the installation ends must be checked for compliance with the final dimension and adapted, if necessary.
- Straight connections between two fixed points should be avoided. Use tube bends for stress compensation.
- Aim for a clear tube arrangement.
- Allow easy access to the connection points and the components to simplify installation and maintenance.
- Make sure that the tubes are not assembled under stress and compensate for possible heat expansions while taking tube bends into account.
- System loads should be compensated as much as possible by means of vibration damping and vibration isolation.
- Aim for low pressure loss during installation.

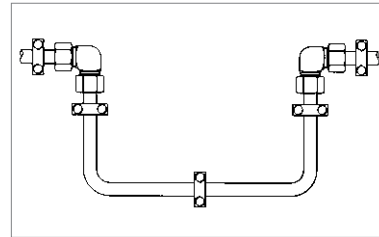
Fastening instructions:

Tube assemblies must be fastened in such a way that

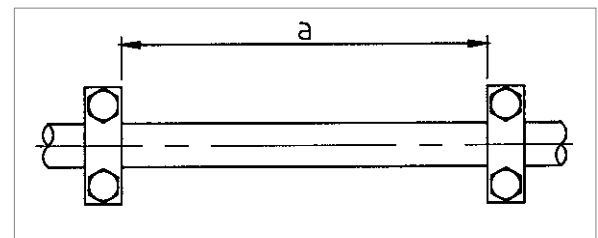
- They do not vibrate uncontrollably,
- They are not in direct contact with other parts,
- They are not in contact with one another,
- The fastening method ensures stress-free installation,
- They are not used to fasten other components.

Fastening locations:

- The first clamp should be fitted immediately after the fitting, as this will prevent the fitting from vibrating - Table 1.
- Tube bends must be supported directly before and after each bend.
- A minimum distance between the clamp and the union nut should be observed in order to ensure that union nuts/union bolts are able to move axially for disassembly - Table 2.



C



**Recommended fastening distances
(to DIN 24346)**

Tube outer diameter (mm)	Max. distance between clamps a (m)
6-10	1
10-25	1.5
Greater than 25	2.0

Table 1

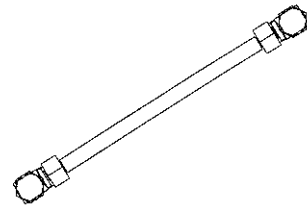
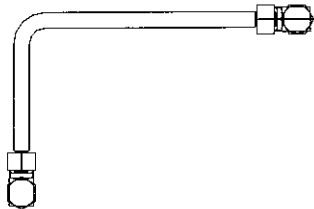
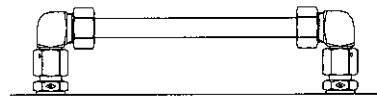
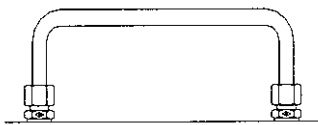
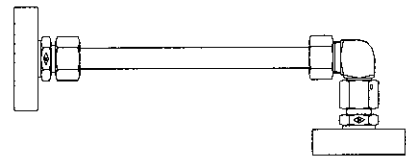
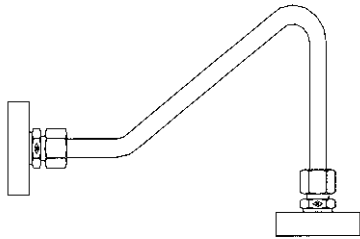
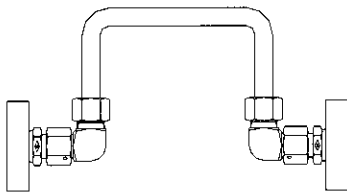
This information is intended for reference only; for more detailed information, see the specifications of the tube clamp manufacturer.

Tube installation examples

Advantageous

Disadvantageous

C



Min. axial clearance for union nut













Tube outer diameter (mm)	Distance between clamp and nut (mm)
6, 8	13
10, 12, 15	15
16	16.5
18	15.5
20	19.5
22, 25	22.5
28	17.5
30	25.5
35	22.5
38	31.5
42	26

Table 2

D

Tube connecting parts



		Figure	Model	Page
Tube connecting parts	Union nut		M ...	D3
Walring	System nut with integrated soft seal		W-R ...	D4
Tube connecting parts for profile-ring tube fittings	Walpro system nut		PR-M ...	D5
	Walpro profile ring		P-R ...	D6
Tube connecting parts for Walform tube fittings	Walform system nut		WF-M ...	D7
	Support ring		WF-PLUS-SR ...	D7
	Soft seal		WF-WD ...	D8
Flare connecting parts for flare tube fittings	Flare connecting parts		BO-A ...	D9
	Intermediate ring		BO-ZR ...	D10
	Sleeve		BO-DR ...	D11
	Union nut		BO-M ...	D12
	Protective cap for intermediate rings (tube end)		Cap M ...	D13

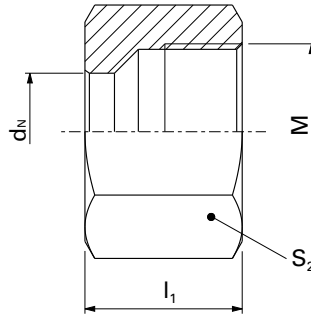
Union nut

M ...

M ... -1.4571

• Union nut

D



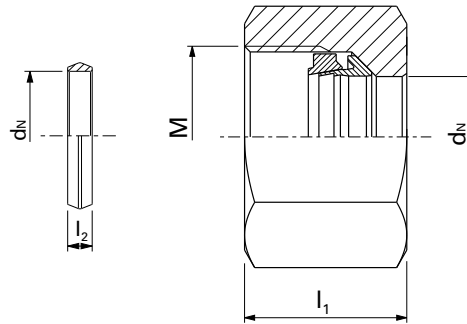
									Union nut Stainless steel (1.4571) M ... -1.4571*
									Union nut M ...
Series	PN bar (psi)	Tube outer diameter d _n	Model	kg/ 100 pc.	M	l ₁	S ₂	Art. no.	Art. no.
LL	100 (1450)	4	M 4 LL	0.4	M 8 x 1	11	10	WAL039838	WAL027923
		6	M 6 LL	0.5	M 10 x 1	11.5	12	WAL039840	WAL027925
		8	M 8 LL	0.7	M 12 x 1	12	14	WAL039841	WAL027926
L	500 (7252)	6	M 6 L	0.9	M 12 x 1.5	14.5	14	WAL039842	WAL027927
		8	M 8 L	1.4	M 14 x 1.5	14.5	17	WAL039843	WAL027928
		10	M 10 L	2.0	M 16 x 1.5	15.5	19	WAL039844	WAL027929
	400 (5801)	12	M 12 L	2.5	M 18 x 1.5	15.5	22	WAL039845	WAL027930
		15	M 15 L	4.0	M 22 x 1.5	17	27	WAL039846	WAL027931
		18	M 18 L	6.0	M 26 x 1.5	18	32	WAL039847	WAL027932
		22	M 22 L	8.0	M 30 x 2	20	36	WAL039848	WAL027933
250 (3626)	28	M 28 L	8.5	M 36 x 2	21	41	WAL039849	WAL027934	
	35	M 35 L	13.0	M 45 x 2	24	50	WAL039850	WAL027935	
S	800 (11603)	42	M 42 L	21.0	M 52 x 2	24	60	WAL039851	WAL027936
		6	M 6 S	1.5	M 14 x 1.5	16.5	17	WAL039852	WAL028649
		8	M 8 S	1.7	M 16 x 1.5	16.5	19	WAL039853	WAL027937
	630 (9137)	10	M 10 S	3.0	M 18 x 1.5	17.5	22	WAL039854	WAL027938
		12	M 12 S	3.5	M 20 x 1.5	17.5	24	WAL039855	WAL027939
		14	M 14 S	5.0	M 22 x 1.5	20.5	27	WAL039856	WAL027940
		16	M 16 S	6.0	M 24 x 1.5	20.5	30	WAL039857	WAL027941
	420 (6091)	20	M 20 S	9.5	M 30 x 2	24	36	WAL039858	WAL027942
		25	M 25 S	19.5	M 36 x 2	27	46	WAL039859	WAL027943
		30	M 30 S	21.5	M 42 x 2	29	50	WAL039860	WAL027944
		38	M 38 S	31.0	M 52 x 2	32.5	60	WAL039861	WAL027945

⚠ Caution: The pressure specifications refer to the steel version. For the stainless steel version (1.4571), please refer to the pressure specifications on page B5.

*Silver-plated stainless steel nut (AG/AGP), see price list

W-R...

- Waling system nut with integrated soft seal
- Walform soft seal made from FPM* (e.g. Viton)
- Alternative option: Walform soft seal made from NBR (e.g. Perbunan)



D

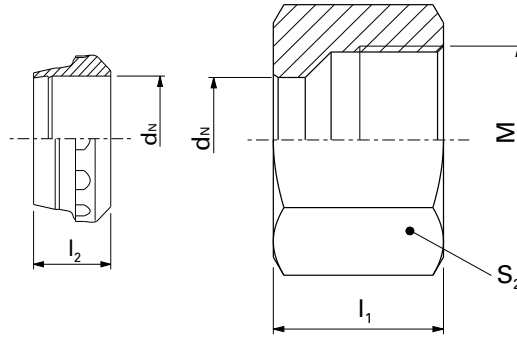
Series	PN bar (psi)	Tube outer diameter d _N	Model	kg/ 100 pc.	M	l ₁	l ₂	S ₂	Waling	Replacement	Alternative option: WF-WD
									W-R ... VI	soft seal WF-WD ... VI	made from NBR Replacement soft seal WF-WD...
			Art. no.	Art. no.	Art. no.						
L	500 (7252)	6	W-R 6 L VI	0.9	M 12 x 1.5	14.5	2.7	14	WAL624607	WAL610871	WAL612893
		8	W-R 8 L VI	1.4	M 14 x 1.5	14.5	2.7	17	WAL624608	WAL610872	WAL612894
		10	W-R 10 L VI	2.0	M 16 x 1.5	15.5	2.95	19	WAL624609	WAL610873	WAL612840
	400 (5801)	12	W-R 12 L VI	2.5	M 18 x 1.5	15.5	2.95	22	WAL624610	WAL610874	WAL612790
		15	W-R 15 L VI	4.0	M 22 x 1.5	17	2.95	27	WAL624611	WAL610875	WAL612479
		18	W-R 18 L VI	6.0	M 26 x 1.5	18	2.95	32	WAL624612	WAL610877	WAL612896
	250 (3626)	22	W-R 22 L VI	8.0	M 30 x 2	20	2.95	36	WAL624613	WAL610879	WAL612897
		28	W-R 28 L VI	8.5	M 36 x 2	21	2.95	41	WAL624614	WAL610881	WAL612898
		35	W-R 35 L VI	13.0	M 45 x 2	24	3.5	50	WAL624615	WAL610883	WAL612899
		42	W-R 42 L VI	21.0	M 52 x 2	24	3.5	60	WAL624616	WAL610885	WAL612900
S	800 (11603)	6	W-R 6 S VI	1.5	M 14 x 1.5	16.5	2.7	17	WAL624617	WAL610871	WAL612893
		8	W-R 8 S VI	1.7	M 16 x 1.5	16.5	2.7	19	WAL624618	WAL610872	WAL612894
		10	W-R 10 S VI	3.0	M 18 x 1.5	17.5	2.95	22	WAL624619	WAL610873	WAL612840
	630 (9137)	12	W-R 12 S VI	3.5	M 20 x 1.5	17.5	2.95	24	WAL624620	WAL610874	WAL612790
		16	W-R 16 S VI	6.0	M 24 x 1.5	20.5	2.95	30	WAL624621	WAL610876	WAL612895
	420 (6091)	20	W-R 20 S VI	9.5	M 30 x 2	24	3.7	36	WAL624622	WAL610878	WAL612480
		25	W-R 25 S VI	19.5	M 36 x 2	27	3.7	46	WAL624623	WAL610880	WAL612791
		30	W-R 30 S VI	21.5	M 42 x 2	29	3.85	50	WAL624624	WAL610882	WAL612481
		38	W-R 38 S VI	31.0	M 52 x 2	32.5	3.5	60	WAL624625	WAL610884	WAL612837

*EPDM available on request

PR-M ...

PR-M ... -1.4571

- Walpro system nut



D

										Walpro system nut stainless steel (1.4571) PR-M ... -1.4571*
										Walpro system nut PR-M ...
Series	PN bar (psi)	Tube outer diameter d _N	Model	kg/ 100 pc.	M	I ₁	S ₂	I ₂	Art. no.	Art. no.
LL	100 (1450)	4	SR-M 4 LL	0.5	M 8 x 1	11	10	6	WAL626000	WAL626100
		6	SR-M 6 LL	0.6	M 10 x 1	11.5	12	7	WAL626001	WAL626101
		8	SR-M 8 LL	0.8	M 12 x 1	12	14	7	WAL626002	WAL626102
L	500 (7252)	6	PR-M 6 L	1.1	M 12 x 1.5	14.5	14	9.8	WAL626003	WAL626103
		8	PR-M 8 L	1.7	M 14 x 1.5	14.5	17	9.5	WAL626004	WAL626104
		10	PR-M 10 L	2.4	M 16 x 1.5	15.5	19	10	WAL626005	WAL626105
	400 (5801)	12	PR-M 12 L	3.0	M 18 x 1.5	15.5	22	9.5	WAL626006	WAL626106
		15	PR-M 15 L	4.6	M 22 x 1.5	17	27	9.8	WAL626007	WAL626107
		18	PR-M 18 L	6.7	M 26 x 1.5	18	32	9.8	WAL626008	WAL626108
		22	PR-M 22 L	8.9	M 30 x 2	20	36	10.5	WAL626009	WAL626109
	250 (3626)	28	PR-M 28 L	9.7	M 36 x 2	21	41	11	WAL626010	WAL626110
		35	PR-M 35 L	15.3	M 45 x 2	24	50	13	WAL626011	WAL626111
		42	PR-M 42 L	23.8	M 52 x 2	24	60	13	WAL626012	WAL626112
S	800 (11603)	6	PR-M 6 S	1.7	M 14 x 1.5	16.5	17	9.8	WAL626013	WAL626113
		8	PR-M 8 S	2.0	M 16 x 1.5	16.5	19	9.5	WAL626014	WAL626114
		10	PR-M 10 S	3.4	M 18 x 1.5	17.5	22	10	WAL626015	WAL626115
	630 (9137)	12	PR-M 12 S	4.0	M 20 x 1.5	17.5	24	9.5	WAL626016	WAL626116
		14	PR-M 14 S	5.6	M 22 x 1.5	20.5	27	10	WAL626017	WAL626117
		16	PR-M 16 S	6.7	M 24 x 1.5	20.5	30	10.3	WAL626018	WAL626118
		20	PR-M 20 S	10.6	M 30 x 2	24	36	12	WAL626019	WAL626119
	420 (6091)	25	PR-M 25 S	21.0	M 36 x 2	27	46	12	WAL626020	WAL626120
		30	PR-M 30 S	23.6	M 42 x 2	29	50	13	WAL626021	WAL626121
		38	PR-M 38 S	33.6	M 52 x 2	32.5	60	13	WAL626022	WAL626122

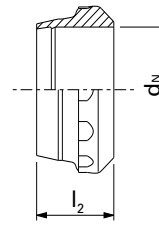
⚠ Caution: The pressure specifications refer to the steel version. For the stainless steel version (1.4571), please refer to the pressure specifications on page B5.

*Silver-plated stainless steel nut (AG/AGP), see price list

P-R ...

P-R ... -1.4571

- Walpro profile ring



D

						Profile ring P-R...	Profile ring stainless steel (1.4571) P-R... -1.4571*
Series	PN bar (psi)	Tube outer diameter d _N	Model	kg/ 100 pc.	l ₂	Art. no.	Art. no.
LL	100 (1450)	4	S-R 4 LL	0.05	6	WAL039862	WAL029780
		6	S-R 6 LL	0.09	7	WAL039864	WAL029782
		8	S-R 8 LL	0.1	7	WAL039865	WAL029783
L	500 (7252)	6	P-R 6 L/S	0.2	9.8	WAL372404	WAL618843
		8	P-R 8 L/S	0.29	9.5	WAL372405	WAL618844
		10	P-R 10 L/S	0.39	10	WAL372406	WAL618845
	400 (5801)	12	P-R 12 L/S	0.45	9.5	WAL372407	WAL618846
		15	P-R 15 L	0.58	9.8	WAL372408	WAL618847
		18	P-R 18 L	0.73	9.8	WAL372409	WAL618848
		22	P-R 22 L	0.86	10.5	WAL372410	WAL618849
	250 (3626)	28	P-R 28 L	1.17	11	WAL372411	WAL618850
		35	P-R 35 L	2.31	13	WAL372412	WAL618851
		42	P-R 42 L	2.83	13	WAL372413	WAL618852
S		800 (11603)	6	P-R 6 L/S	0.2	9.8	WAL372404
	8		P-R 8 L/S	0.29	9.5	WAL372405	WAL618844
	10		P-R 10 L/S	0.39	10	WAL372406	WAL618845
	630 (9137)	12	P-R 12 L/S	0.45	9.5	WAL372407	WAL618846
		14	P-R 14 S	0.61	10	WAL372414	WAL618853
		16	P-R 16 S	0.74	10.3	WAL372415	WAL618854
		20	P-R 20 S	1.13	12	WAL372416	WAL618855
	420 (6091)	25	P-R 25 S	1.53	12	WAL372417	WAL618856
		30	P-R 30 S	2.13	13	WAL372418	WAL618857
		38	P-R 38 S	2.55	13	WAL372419	WAL618858

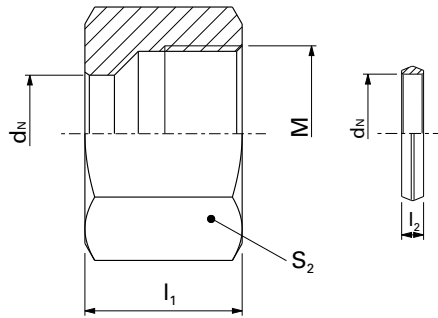
⚠ Caution: The pressure specifications refer to the steel version. For the stainless steel version (1.4571), please refer to the pressure specifications on page B5.

WF-M ... VI

WF-M ... VI-1.4571

- Walform system nut
- Walform soft seal made from FPM (e.g. Viton)

D

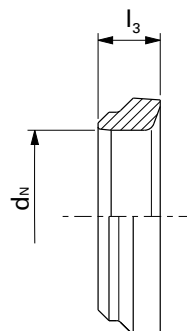


										Walform Stainless steel (1.4571) WF-M ... VI-1.4571
										Walform WF-M ... VI
Series	PN bar (psi)	Tube outer diameter d _N	Model	kg/ 100 pc.	M	I ₁	I ₂	S ₂	Art. no.	Art. no.
L	500 (7252)	6	WF-M 6 L VI	0.9	M 12 x 1.5	14.5	2.7	14	WAL625940	WAL625980
		8	WF-M 8 L VI	1.4	M 14 x 1.5	14.5	2.7	17	WAL625941	WAL625981
		10	WF-M 10 L VI	2.0	M 16 x 1.5	15.5	2.95	19	WAL625942	WAL625982
	400 (5801)	12	WF-M 12 L VI	2.5	M 18 x 1.5	15.5	2.95	22	WAL625943	WAL625983
		15	WF-M 15 L VI	4.0	M 22 x 1.5	17	2.95	27	WAL625944	WAL625984
		18	WF-M 18 L VI	6.0	M 26 x 1.5	18	2.95	32	WAL625945	WAL625985
	250 (3626)	22	WF-M 22 L VI	8.0	M 30 x 2	20	2.95	36	WAL625946	WAL625986
		28	WF-M 28 L VI	8.5	M 36 x 2	21	2.95	41	WAL625947	WAL625987
		35	WF-M 35 L VI	13.0	M 45 x 2	24	3.5	50	WAL625948	WAL625988
42		WF-M 42 L VI	21.0	M 52 x 2	24	3.5	60	WAL625949	WAL625989	
S	800 (11603)	6	WF-M 6 S VI	1.5	M 14 x 1.5	16.5	2.7	17	WAL625950	WAL625990
		8	WF-M 8 S VI	1.7	M 16 x 1.5	16.5	2.7	19	WAL625951	WAL625991
		10	WF-M 10 S VI	3.0	M 18 x 1.5	17.5	2.95	22	WAL625952	WAL625992
	630 (9137)	12	WF-M 12 S VI	3.5	M 20 x 1.5	17.5	2.95	24	WAL625953	WAL625993
		16	WF-M 16 S VI	6.0	M 24 x 1.5	20.5	2.95	30	WAL625954	WAL625994
		20	WF-M 20 S VI	9.5	M 30 x 2	24	3.7	36	WAL625955	WAL625995
	420 (6091)	25	WF-M 25 S VI	19.5	M 36 x 2	27	3.7	46	WAL625956	WAL625996
		30	WF-M 30 S VI	21.5	M 42 x 2	29	3.85	50	WAL625957	WAL625997
		38	WF-M 38 S VI	31.0	M 52 x 2	32.5	3.5	60	WAL625958	WAL625998

Caution: The pressure specifications refer to the steel version. For the stainless steel version (1.4571), please refer to the pressure specifications on page B5.

Support rings for WalformPlus-SR

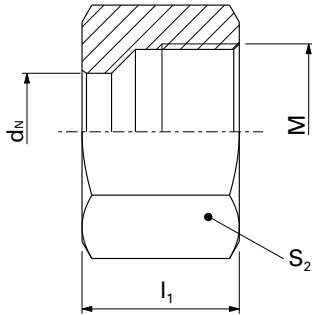
Dimensions	Tube outer diameter d _N	Model	Art. no.	I ₃
6 x 1.0	6	WF-PLUS-SR 6 L/S	WAL625132	5.3
8 x 1.0	8	WF-PLUS-SR 8 L/S	WAL625133	5.6
10 x 1.0	10	WF-PLUS-SR 10 L/S	WAL625134	5.8
12 x 1.0	12	WF-PLUS-SR 12 L/S	WAL625135	5.8
15 x 1.0	15	WF-PLUS-SR 15 L	WAL625136	5.7
16 x 1.5	16	WF-PLUS-SR 16 S	WAL625137	5.7
18 x 1.5	18	WF-PLUS-SR 18 L	WAL625138	6.0
22 x 1.5	22	WF-PLUS-SR 22 L	WAL625139	6.6
30 x 2.0	30	WF-PLUS-SR 30 S	WAL625140	7.6
35 x 2.0	35	WF-PLUS-SR 35 L	WAL625141	7.6



M ...

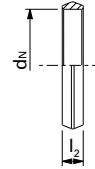
M ... -1.4571

- Union nut



WF-WD ... VI

- Walform soft seal made from FPM** (e.g. Viton)
- Alternative option: Walform soft seal made from NBR (e.g. Perbunan)



D

		Union nut		Union nut Stainless steel (1.4571) M ... -1.4571*		Walform soft seal WF-WD ... VI**		Alternative option: Replacement soft seal made from NBR WF-WD ...	
Series	PN bar (psi)	Tube outer diameter d _N	Model	kg/ 100 pc.	Art. no.	Art. no.	Model	Art. no.	Art. no.
L	500 (7252)	6	M 6 L	0.9	WAL039842	WAL027927	WF-WD 6 L/S VI	WAL610871	WAL612893
		8	M 8 L	1.4	WAL039843	WAL027928	WF-WD 8 L/S VI	WAL610872	WAL612894
		10	M 10 L	2.0	WAL039844	WAL027929	WF-WD 10 L/S VI	WAL610873	WAL612840
		12	M 12 L	2.5	WAL039845	WAL027930	WF-WD 12 L/S VI	WAL610874	WAL612790
		15	M 15 L	4.0	WAL039846	WAL027931	WF-WD 15 L VI	WAL610875	WAL612479
	250 (3626)	18	M 18 L	6.0	WAL039847	WAL027932	WF-WD 18 L VI	WAL610877	WAL612896
		22	M 22 L	8.0	WAL039848	WAL027933	WF-WD 22 L VI	WAL610879	WAL612897
		28	M 28 L	8.5	WAL039849	WAL027934	WF-WD 28 L VI	WAL610881	WAL612898
		35	M 35 L	13.0	WAL039850	WAL027935	WF-WD 35 L VI	WAL610883	WAL612899
		42	M 42 L	21.0	WAL039851	WAL027936	WF-WD 42 L VI	WAL610885	WAL612900
S	800 (11603)	6	M 6 S	1.5	WAL039852	WAL028649	WF-WD 6 L/S VI	WAL610871	WAL612893
		8	M 8 S	1.7	WAL039853	WAL027937	WF-WD 8 L/S VI	WAL610872	WAL612894
		10	M 10 S	3.0	WAL039854	WAL027938	WF-WD 10 L/S VI	WAL610873	WAL612840
	630 (9137)	12	M 12 S	3.5	WAL039855	WAL027939	WF-WD 12 L/S VI	WAL610874	WAL612790
		16	M 16 S	6.0	WAL039857	WAL027941	WF-WD 16 S VI	WAL610876	WAL612895
		20	M 20 S	9.5	WAL039858	WAL027942	WF-WD 20 S VI	WAL610878	WAL612480
	420 (6091)	25	M 25 S	19.5	WAL039859	WAL027943	WF-WD 25 S VI	WAL610880	WAL612791
		30	M 30 S	21.5	WAL039860	WAL027944	WF-WD 30 S VI	WAL610882	WAL612481
		38	M 38 S	31.0	WAL039861	WAL027945	WF-WD 38 S VI	WAL610884	WAL612837

⚠ Caution: The pressure specifications refer to the steel version. For the stainless steel version (1.4571), please refer to the pressure specifications on page B5.

*Silver-plated stainless steel nut (AG/AGP), see price list

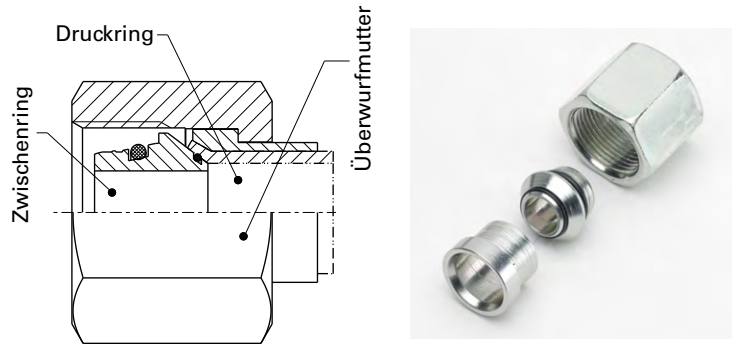
**EPDM available on request

Flare connecting parts for flare tube fittings

BO-A ...

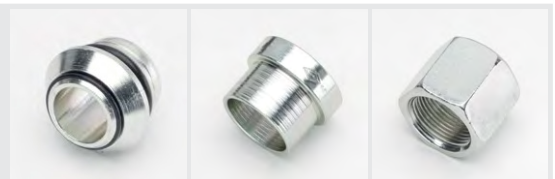
BO-A ...-1.4571

- Flare connecting parts for flare tube fittings, consisting of



Flare connecting parts
BO-A ...

Flare connecting parts
Stainless steel
(1.4571)
BO-A ...
VI-1.4571



Series	PN bar (psi)	Tube outer diameter d _N	Model	kg/ 100 pc.	Art. no.*	Art. no.	Intermediate ring with O-rings	Sleeve	Union nut	
L	500 (7252)	6	BO-A 6 L	1.6	WAL374800	WAL603919	BO-ZR 6 L/S	BO-DR 6 L/S	BO-M 6 L	
		8	BO-A 8 L	2.4	WAL374801	WAL603920	BO-ZR 8 L/S	BO-DR 8 L/S	BO-M 8 L	
		10	BO-A 10 L	3.2	WAL374802	WAL603921	BO-ZR 10 L/S	BO-DR 10 L/S	BO-M 10 L	
		12	BO-A 12 L	4.4	WAL374803	WAL603922	BO-ZR 12 L/S	BO-DR 12 L/S	BO-M 12 L	
	400 (5801)	15	BO-A 15 L	7.2	WAL374804	WAL603923	BO-ZR 15 L	BO-DR 15 L	BO-M 14 S/15 L	
		18	BO-A 18 L	10.1	WAL374805	WAL603924	BO-ZR 18 L	BO-DR 18 L	BO-M 18 L	
		22	BO-A 22 L	14.2	WAL374806	WAL603925	BO-ZR 22 L	BO-DR 22 L	BO-M 20 S/22 L	
		250 (3626)	28	BO-A 28 L	15.9	WAL374807	WAL603926	BO-ZR 28 L	BO-DR 28 L	BO-M 28 L
			35	BO-A 35 L	25.5	WAL374808	WAL603927	BO-ZR 35 L	BO-DR 35 L	BO-M 35 L
		42	BO-A 42 L	42.2	WAL374809	WAL603928	BO-ZR 42 L	BO-DR 42 L	BO-M 42 L	
S	630 (9137)	6	BO-A 6 S	2.4	WAL374810	WAL603929	BO-ZR 6 L/S	BO-DR 6 L/S	BO-M 6 S	
		8	BO-A 8 S	3.1	WAL374811	WAL603930	BO-ZR 8 L/S	BO-DR 8 L/S	BO-M 8 S	
		10	BO-A 10 S	4.5	WAL374812	WAL603931	BO-ZR 10 L/S	BO-DR 10 L/S	BO-M 10 S	
		12	BO-A 12 S	5.4	WAL374813	WAL603932	BO-ZR 12 L/S	BO-DR 12 L/S	BO-M 12 S	
		14	BO-A 14 S	7.6	WAL374814	WAL603933	BO-ZR 14 S	BO-DR 14 S	BO-M 14 S/15 L	
		16	BO-A 16 S	10.8	WAL374815	WAL603934	BO-ZR 16 S	BO-DR 16 S	BO-M 16 S	
	400 (5801)	20	BO-A 20 S	15.5	WAL374816	WAL603935	BO-ZR 20 S	BO-DR 20 S	BO-M 20 S/22 L	
		25	BO-A 25 S	26.7	WAL374817	WAL603936	BO-ZR 25 S	BO-DR 25 S	BO-M 25 S	
		30	BO-A 30 S	33.0	WAL374818	WAL603937	BO-ZR 30 S	BO-DR 30 S	BO-M 30 S	
		38	BO-A 38 S	51.5	WAL374819	WAL603938	BO-ZR 38 S	BO-DR 38 S	BO-M 38 S	

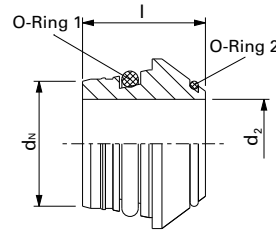
⚠ Caution: The pressure specifications refer to the steel version. For the stainless steel version (1.4571), please refer to the pressure specifications on page B5.

*Flare connecting parts with O-rings made from Viton, see price list

BO-ZR ...

BO-ZR ... VI-1.4571

- Intermediate ring with O-rings made from NBR* (e.g. Perbunan) for steel
- Intermediate ring with O-rings made from FKM (e.g. Viton) for stainless steel (1.4571)



D

										Intermediate ring with O-rings stainless steel (1.4571) BO-ZR ... VI-1.4571
										Intermediate ring with O-rings BO-ZR ...
Series	PN bar (psi)	Tube outer diameter d _N	Model	kg/ 100 pc.	d ₂	l	O-ring 1	O-ring 2	Art. no.*	Art. no.
L	500 (7252)	6	BO-ZR 6 L/S	0.3	3	11.5	4.5 x 1.5	4.4 x 0.8	WAL374408	WAL602957
		8	BO-ZR 8 L/S	0.4	5	12	6 x 1.5	6 x 0.8	WAL374409	WAL602958
		10	BO-ZR 10 L/S	0.6	6	12.5	8.5 x 1.5	7.5 x 0.8	WAL374410	WAL602959
		12	BO-ZR 12 L/S	0.8	8	12.5	10 x 1.5	9.5 x 0.8	WAL374411	WAL602960
	400 (5801)	15	BO-ZR 15 L	1.0	11	12.5	13 x 1.5	12.5 x 0.8	WAL374412	WAL602961
		18	BO-ZR 18 L	1.3	14	13	16 x 1.5	15 x 1	WAL374413	WAL602962
		22	BO-ZR 22 L	2.1	17	14.2	20 x 2	18 x 1	WAL374414	WAL602963
	250 (3626)	28	BO-ZR 28 L	2.7	23	14.7	26 x 2	23 x 1	WAL374415	WAL602964
		35	BO-ZR 35 L	5.4	28	18.5	32 x 2.5	30 x 1	WAL374416	WAL602965
		42	BO-ZR 42 L	7.3	35	20.5	38 x 2.5	37 x 1	WAL374417	WAL602966
S	630 (9137)	6	BO-ZR 6 L/S	0.3	3	11.5	4.5 x 1.5	4.4 x 0.8	WAL374408	WAL602957
		8	BO-ZR 8 L/S	0.4	5	12	6 x 1.5	6 x 0.8	WAL374409	WAL602958
		10	BO-ZR 10 L/S	0.6	6	12.5	8.5 x 1.5	7.5 x 0.8	WAL374410	WAL602959
		12	BO-ZR 12 L/S	0.8	8	12.5	10 x 1.5	9.5 x 0.8	WAL374411	WAL602960
	400 (5801)	14	BO-ZR 14 S	1.1	9	14	12 x 2	11 x 1	WAL374418	WAL602967
		16	BO-ZR 16 S	1.5	11	15	14 x 2	12.5 x 1	WAL374419	WAL602968
		20	BO-ZR 20 S	2.6	14	18.5	17.3 x 2.4	16 x 1	WAL374420	WAL602969
	400 (5801)	25	BO-ZR 25 S	3.7	19	20	22.3 x 2.4	20 x 1	WAL374421	WAL602970
		30	BO-ZR 30 S	5.7	23	22	27.3 x 2.4	25 x 1	WAL374422	WAL602971
		38	BO-ZR 38 S	8.8	30	26	35 x 2.5	32 x 1.78	WAL374423	WAL602972

⚠ Caution: The pressure specifications refer to the steel version. For the stainless steel version (1.4571), please refer to the pressure specifications on page B5.

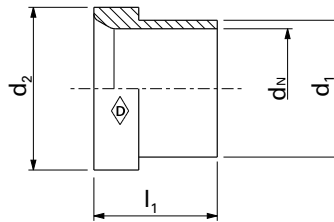
*Intermediate rings with O-rings made from Viton, see price list

BO-DR ...

BO-DR ... 1.4571

- Sleeve

D

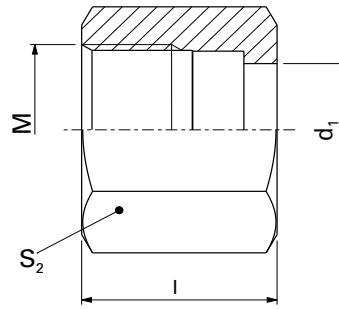


								Sleeve BO-DR ...	Sleeve stainless steel (1.4571) BO-DR ... -1.4571
Series	PN bar (psi)	Tube outer diameter d _N	Model	kg/ 100 pc.	d ₁	d ₂	l ₁	Art. no.	Art. no.
L	500 (7252)	6	BO-DR 6 L/S	0.2	7.6	10.2	10.5	WAL374376	WAL602973
		8	BO-DR 8 L/S	0.3	9.3	12.2	11.0	WAL374377	WAL602974
		10	BO-DR 10 L/S	0.4	11.5	14.2	12.5	WAL374378	WAL602975
	400 (5801)	12	BO-DR 12 L/S	0.5	13.6	16.2	13.0	WAL374379	WAL602976
		15	BO-DR 15 L	0.9	17.5	20.2	14.0	WAL374380	WAL602977
		18	BO-DR 18 L	1.4	21	24.2	14.5	WAL374381	WAL602978
		22	BO-DR 22 L	1.6	24.2	27.8	18.0	WAL374382	WAL602979
	250 (3626)	28	BO-DR 28 L	2.0	30.2	33.8	17.0	WAL374383	WAL602980
		35	BO-DR 35 L	3.7	38	42.7	19.0	WAL374384	WAL602981
		42	BO-DR 42 L	5.0	45	49.7	21.0	WAL374385	WAL602982
6		BO-DR 6 L/S	0.2	7.6	10.2	10.5	WAL374376	WAL602973	
S	630 (9137)	8	BO-DR 8 L/S	0.3	9.3	12.2	11.0	WAL374377	WAL602974
		10	BO-DR 10 L/S	0.4	11.5	14.2	12.5	WAL374378	WAL602975
		12	BO-DR 12 L/S	0.5	13.6	16.2	13.0	WAL374379	WAL602976
	400 (5801)	14	BO-DR 14 S	1.2	17.5	20.2	14.5	WAL374386	WAL602983
		16	BO-DR 16 S	1.3	18.5	22.0	17.0	WAL374387	WAL602984
		20	BO-DR 20 S	2.4	24.2	27.8	17.5	WAL374388	WAL602985
		25	BO-DR 25 S	3.1	28.5	32.8	20.0	WAL374389	WAL602986
	400 (5801)	30	BO-DR 30 S	4.5	34	39.0	21.5	WAL374390	WAL602987
		38	BO-DR 38 S	7.5	42	48.5	26.5	WAL374391	WAL602988

⚠ Caution: The pressure specifications refer to the steel version. For the stainless steel version (1.4571), please refer to the pressure specifications on page B5.

BO-M ...
BO-M ... 1.4571

- Union nut



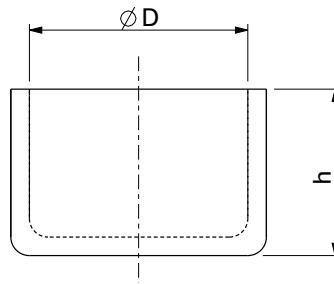
D

										Union nut stainless steel (1.4571) BO-M ... -1.4571
										Union nut BO-M ...
Series	PN bar (psi)	Tube outer diameter d _n	Model	kg/ 100 pc.	M	l	d ₁	S ₂	Art. no.	Art. no.
L	500 (7252)	6	BO-M 6 L	1.1	M 12 x 1.5	17	7.8	14	WAL374510	WAL603901
		8	BO-M 8 L	1.7	M 14 x 1.5	18	9.5	17	WAL374511	WAL603902
		10	BO-M 10 L	2.2	M 16 x 1.5	19.5	11.7	19	WAL374512	WAL603903
	400 (5801)	12	BO-M 12 L	3.1	M 18 x 1.5	20.5	13.8	22	WAL374513	WAL603904
		15	BO-M 14 S/15 L	5.3	M 22 x 1.5	23	17.7	27	WAL374522	WAL603905
		18	BO-M 18 L	7.4	M 26 x 1.5	23	21.2	32	WAL374514	WAL603906
	250 (3626)	22	BO-M 20 S/22 L	10.5	M 30 x 2	27.5	24.4	36	WAL374524	WAL603907
		28	BO-M 28 L	11.2	M 36 x 2	27.5	30.4	41	WAL374515	WAL603908
		35	BO-M 35 L	16.4	M 45 x 2	30	38.3	50	WAL374516	WAL603909
42		BO-M 42 L	29.9	M 52 x 2	34	45.3	60	WAL374517	WAL603910	
S	630 (9137)	6	BO-M 6 S	1.9	M 14 x 1.5	18	7.8	17	WAL374518	WAL603911
		8	BO-M 8 S	2.5	M 16 x 1.5	19	9.5	19	WAL374519	WAL603912
		10	BO-M 10 S	3.5	M 18 x 1.5	20.5	11.7	22	WAL374520	WAL603913
	400 (5801)	12	BO-M 12 S	4.1	M 20 x 1.5	21	13.8	24	WAL374521	WAL603914
		14	BO-M 14 S/15 L	5.3	M 22 x 1.5	23	17.7	27	WAL374522	WAL603905
		16	BO-M 16 S	8.0	M 24 x 1.5	26.5	18.7	30	WAL374523	WAL603915
	400 (5801)	20	BO-M 20 S/22 L	10.5	M 30 x 2	27.5	24.4	36	WAL374524	WAL603907
		25	BO-M 25 S	19.9	M 36 x 2	30.5	28.7	46	WAL374525	WAL603916
		30	BO-M 30 S	22.8	M 42 x 2	32	34.2	50	WAL374526	WAL603917
		38	BO-M 38	35.2	M 52 x 2	38	42.3	60	WAL374527	WAL603918

⚠ Caution: The pressure specifications refer to the steel version. For the stainless steel version (1.4571), please refer to the pressure specifications on page B5.

Cap M ...

- Protective cap for intermediate rings (tube end)
- Material: HD polyethylene



D

						Cap M ...
Series	Tube outer diameter d _n	Model	M	Ø D	h	Art. no.
L	6	Cap M 12	M 12 x 1.5	11.5	12	WAL050120
	8	Cap M 14	M 14 x 1.5	13.5	13.5	WAL050135
	10	Cap M 16	M 16 x 1.5	15.7	15	WAL050160
	12	Cap M 18	M 18 x 1.5	17.7	15	WAL050180
	15	Cap M 22	M 22 x 1.5	21.3	15.5	WAL050213
	18	Cap M 26	M 26 x 1.5	25.4	17.5	WAL064030
	22	Cap M 30	M 30 x 2	29.3	18	WAL050300
	28	Cap M 36 / H=25	M 36 x 2	34.8	25	WAL374826
	35	Cap M 45	M 45 x 2	44.5	35	WAL064031
	42	Cap M 52 / H=29	M 52 x 2	50.6	29	WAL374827
S	6	Cap M 14	M 14 x 1.5	13.5	13.5	WAL050135
	8	Cap M 16	M 16 x 1.5	15.7	15	WAL050160
	10	Cap M 18	M 18 x 1.5	17.7	15	WAL050180
	12	Cap M 20	M 20 x 1.5	19.7	14	WAL050200
	14	Cap M 22	M 22 x 1.5	21.3	15.5	WAL050213
	16	Cap M 24	M 24 x 1.5	23.5	18.5	WAL050240
	20	Cap M 30	M 30 x 2	29.3	18	WAL050300
	25	Cap M 36 / H=25	M 36 x 2	34.8	25	WAL374826
	30	Cap M 42	M 42 x 2	41.9	28	WAL050421
	38	Cap M 52 / H=29	M 52 x 2	50.6	29	WAL374827

E

**Male studs, connecting studs,
bulkhead studs, weldable studs**



	Figure Fitting	Figure Stud	Model	Page
Straight male fittings / straight male studs			P-GEV / GES ... RK	E3 / E4
			P-GEV / GES ... MK	E3 / E4
			P-GEV / GES ... NPT	E5 / E6
			P-GEV / GES ... R	E6 - E10
			P-GEV / GES ... M	E11 / E12
			P-GEV / GES ... R-WD	E13 / E14
			P-GEV / GES ... M-WD	E15 / E16
			P-GEV / GES ... UNF / UN	E17 / E18
Male elbow fittings / male elbow studs			P-WEV / WES ... RK	E21 / E22
			P-WEV / WES ... MK	E23 / E24
			P-WEV / WES ... NPT	E25 / E26
Straight fittings / straight studs			P-GV ... / GS ...	E27 / E28
Straight reducer fittings / straight reducer studs			P-GV.../... / GS.../....	E29 / E30
Elbow fittings / elbow studs			P-WV ... / WS ...	E31 / E32
T fittings / T studs			P-TV ... / TS ...	E33 / E34
T reducer fittings / T reducer studs			P-TV .../.../... / TS .../.../...	E35 - E38
Cross fittings / cross studs			P-KV ... / KS ...	E39 / E40
Straight bulkhead fittings / straight bulkhead studs			P-GSV ... / GSS ...	E41 / E42
Bulkhead elbow fittings / bulkhead elbow studs			P-WSV ... / WSS ...	E43 / E44
Weld-on fittings / weld-on studs			P-ASV ... / ASS ...	E45 / E46
Weld-in bulkhead fittings / weld-in bulkhead studs			P-ESV ... / ESS ...	E47 / E48

E

Straight male fittings

P-GEV ... RK

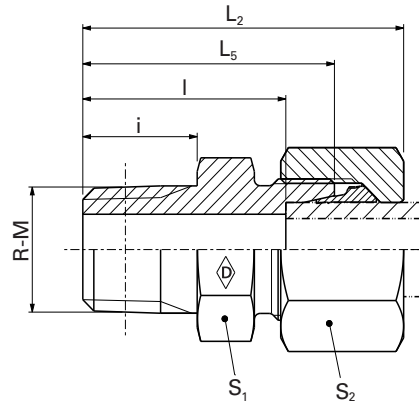
P-GEV ... RK-1.4571

P-GEV ... MK

P-GEV ... MK-1.4571

E

- Tapered studs, type C according to DIN 3852-2, with Whitworth thread
- Tapered studs, type C according to DIN 3852-1, with metric thread



Series	PN bar (psi)	Tube outer diameter	Model	kg/100 pc.	R-M	L ₂	L ₅	l	i	S ₁	S ₂	Walpro P-GEV ...	Walpro stainless steel P-GEV ...-1.4571*
LL	100 (1450)	4	S-GEV 4 LLRK	1.4	R 1/8 taper	25.5	20	16	8	10	10	WAL038218	WAL604569
		6	S-GEV 6 LLRK	1.6	R 1/8 taper	26.0	20	14.5	8	11	12	WAL038220	WAL060989
		8	S-GEV 8 LLRK	1.8	R 1/8 taper	28.0	22	16.5	8	12	14	WAL038221	WAL370813
L	250 (3626)	6	P-GEV 6 L/R 1/4 K	3.4	R 1/4 taper	34.5	27	20	12	14	14	WAL373003	WAL620527
		8	P-GEV 8 LRK	3.7	R 1/4 taper	34.5	27	20	12	14	17	WAL373004	WAL620492
		8	P-GEV 8 L/R 3/8 K	4.9	R 3/8 taper	34.5	27	20	12	17	17	WAL373005	WAL620539
		10	P-GEV 10 LRK	4.8	R 1/4 taper	35.5	28	21	12	17	19	WAL373006	WAL620131
		10	P-GEV 10 L/R 3/8 K	5.4	R 3/8 taper	35.5	28	21	12	17	19	WAL373007	WAL620132
		12	P-GEV 12 L/R 1/4 K	5.7	R 1/4 taper	36.5	29	22	12	19	22	WAL373008	WAL620350
		12	P-GEV 12 LRK	6.1	R 3/8 taper	36.5	29	22	12	19	22	WAL373009	WAL620354
		12	P-GEV 12 L/R 1/2 K	7.8	R 1/2 taper	38.5	31	24	14	22	22	WAL373010	WAL620553
LL	100 (1450)	4	S-GEV 4 LLMK	1.4	M 8 x 1 taper	25.5	20	16	8	10	10	WAL038230	WAL617077
		6	S-GEV 6 LLMK	1.6	M 10 x 1 taper	26.0	20	14.5	8	11	12	WAL038232	WAL616303
		8	S-GEV 8 LLMK	1.8	M 10 x 1 taper	28.0	22	16.5	8	12	14	WAL038233	WAL616304
L	250 (3626)	8	P-GEV 8 LMK	3.5	M 12 x 1.5 taper	34.5	27	20	12	14	17	WAL373016	WAL620514
		10	P-GEV 10 LMK	4.7	M 14 x 1.5 taper	35.5	28	21	12	17	19	WAL373018	WAL621151
		10	P-GEV 10 L/M 16 x 1.5 K	5.1	M 16 x 1.5 taper	35.5	28	21	12	17	19	WAL373019	WAL620859
		12	P-GEV 12 LMK	5.9	M 16 x 1.5 taper	36.5	29	22	12	19	22	WAL373020	WAL620916
		12	P-GEV 12 L/M 18 x 1.5 K	6.5	M 18 x 1.5 taper	36.5	29	22	12	19	22	WAL373021	WAL620917

⚠ Caution: The pressure specifications refer to the steel version. For the stainless steel version (1.4571), please refer to the pressure specifications on page B5.

*Complete stainless steel fittings (1.4571) with silver-plated nut (AG/AGP), see price list

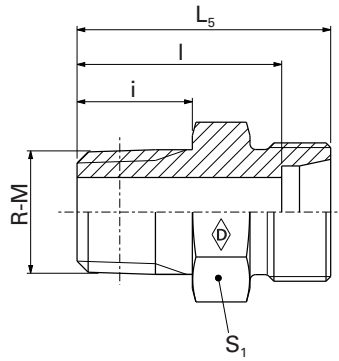
L₂= approximate dimension if the union nut is tightened

GES ... RK

GES ... RK-1.4571

GES ... MK

GES ... MK-1.4571



E

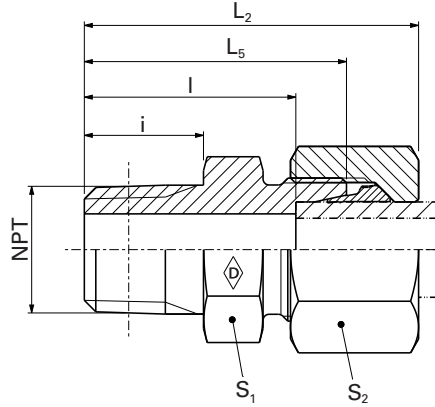
Series	PN bar (psi)	Tube outer diameter (Ø ext.)	Model	kg/100 pc.	R-M	Art. no.	Stud Stainless steel GES ... -1.4571*	System nuts for supplementing the stud (for technical data, see part D of this catalog)		
								Walring W-R ... VI	Walform WF-M ... VI	Walform stainless steel WF-M ... VI-1.4571*
LL	100 (1450)	4	GES 4 LLRK	0.8	R 1/8 taper	WAL037505	WAL604568			
		6	GES 6 LLRK	1.0	R 1/8 taper	WAL037507	WAL060990			
		8	GES 8 LLRK	1.0	R 1/8 taper	WAL037508	WAL061563			
L	250 (3626)	6	GES 6 L/R 1/4 K	2.0	R 1/4 taper	WAL037509	WAL372345	WAL624607	WAL625940	WAL625980
		8	GES 8 LRK	2.0	R 1/4 taper	WAL037510	WAL604014	WAL624608	WAL625941	WAL625981
		8	GES 8 L/R 3/8 K	3.0	R 3/8 taper	WAL037511	WAL605046	WAL624608	WAL625941	WAL625981
		10	GES 10 LRK	2.4	R 1/4 taper	WAL037512	WAL060086	WAL624609	WAL625942	WAL625982
		10	GES 10 L/R 3/8 K	2.9	R 3/8 taper	WAL037513	WAL060988	WAL624609	WAL625942	WAL625982
		12	GES 12 L/R 1/4 K	3.0	R 1/4 taper	WAL037514	WAL372151	WAL624610	WAL625943	WAL625983
		12	GES 12 LRK	3.4	R 3/8 taper	WAL037515	WAL372295	WAL624610	WAL625943	WAL625983
		12	GES 12 L/R 1/2 K	4.9	R 1/2 taper	WAL037516	WAL374441	WAL624610	WAL625943	WAL625983
LL	100 (1450)	4	GES 4 LLMK	0.6	M 8 x 1 taper	WAL037517	WAL617315			
		6	GES 6 LLMK	0.8	M 10 x 1 taper	WAL037519	WAL617316			
		8	GES 8 LLMK	1.0	M 10 x 1 taper	WAL037520	WAL061370			
L	250 (3626)	8	GES 8 LMK	1.7	M 12 x 1.5 taper	WAL037522	WAL604888	WAL624608	WAL625941	WAL625981
		10	GES 10 LMK	2.3	M 14 x 1.5 taper	WAL037524	WAL617319	WAL624609	WAL625942	WAL625982
		10	GES 10 L/M 16 x 1.5 K	2.7	M 16 x 1.5 taper	WAL037525	WAL617320	WAL624609	WAL625942	WAL625982
		12	GES 12 LMK	2.9	M 16 x 1.5 taper	WAL037526	WAL617321	WAL624610	WAL625943	WAL625983
		12	GES 12 L/M 18 x 1.5 K	4.7	M 18 x 1.5 taper	WAL037527	WAL617322	WAL624610	WAL625943	WAL625983

⚠ Caution: The pressure specifications refer to the steel version. For the stainless steel version (1.4571), please refer to the pressure specifications on page B5.

P-GEV ... NPT

P-GEV ... NPT-1.4571

- Stud with NPT thread to ANSI/ASME B1.20.1-1983



E

Series	PN bar (psi)	Tube outer diameter	Model	kg/100 pc.	NPT	L ₂	L ₅	L	i	S ₁	S ₂	Walpro P-GEV ... Art. no.	Walpro stainless steel P-GEV ...-1.4571* Art. no.
LL	100 (1450)	4	S-GEV 4 LL/1/8 NPT	1.5	1/8 NPT	28	22	18	10	11	10	WAL038241	WAL616310
		6	S-GEV 6 LL/1/8 NPT	1.5	1/8 NPT	28	22	16.5	10	11	12	WAL038243	WAL602723
		8	S-GEV 8 LL/1/8 NPT	2.0	1/8 NPT	30	24	18.5	10	12	14	WAL038244	WAL371302
L	315 (4569)	6	P-GEV 6 L/1/8 NPT	2.6	1/8 NPT	32	24	17	10	12	14	WAL373026	WAL620123
		6	P-GEV 6 L/1/4 NPT	3.9	1/4 NPT	38	30	23	15	17	14	WAL373027	WAL620124
		8	P-GEV 8 L/1/4 NPT	4.0	1/4 NPT	38	30	23	15	17	17	WAL373028	WAL620128
		10	P-GEV 10 L/1/4 NPT	4.8	1/4 NPT	39	31	24	15	17	19	WAL373029	WAL620147
		10	P-GEV 10 L/3/8 NPT	6.0	3/8 NPT	40	32	25	15	19	19	WAL373030	WAL620213
		12	P-GEV 12 L/1/4 NPT	6.0	1/4 NPT	40	32	25	15	19	22	WAL373031	WAL620203
	12	P-GEV 12 L/3/8 NPT	6.5	3/8 NPT	40	32	25	15	19	22	WAL373032	WAL620210	
	12	P-GEV 12 L/1/2 NPT	8.5	1/2 NPT	45	37	30	20	24	22	WAL373033	WAL620157	
	15	P-GEV 15 L/1/2 NPT	11.0	1/2 NPT	46	38	31	20	24	27	WAL373034	WAL620211	
	18	P-GEV 18 L/1/2 NPT	13.5	1/2 NPT	48	39	31.5	20	27	32	WAL373035	WAL620161	
	22	P-GEV 22 L/3/4 NPT	19.0	3/4 NPT	50	41	33.5	20	32	36	WAL373036	WAL620260	
	S	160 (2321)	28	P-GEV 28 L/1 NPT	27.5	1 NPT	56	47	39.5	25	41	41	WAL373037
35			P-GEV 35 L/1 1/4 NPT	40.5	1 1/4 NPT	62	51	40.5	26	46	50	WAL373038	WAL620262
42			P-GEV 42 L/1 1/2 NPT	57.0	1 1/2 NPT	65	53	42	26	55	60	WAL373039	WAL620422
S	630 (9137)	6	P-GEV 6 S/1/4 NPT	5.0	1/4 NPT	43	35	28	15	17	17	WAL373040	WAL620189
		8	P-GEV 8 S/1/4 NPT	5.5	1/4 NPT	43	35	28	15	17	19	WAL373041	WAL620523
		10	P-GEV 10 S/1/4 NPT	8.5	1/4 NPT	44	35	27.5	15	19	22	WAL373042	WAL620659
		10	P-GEV 10 S/3/8 NPT	8.0	3/8 NPT	44	35	27.5	15	19	22	WAL373043	WAL620370
		12	P-GEV 12 S/1/4 NPT	9.5	1/4 NPT	46	37	29.5	15	22	24	WAL373044	WAL620660
		12	P-GEV 12 S/3/8 NPT	10.0	3/8 NPT	46	37	29.5	15	22	24	WAL373045	WAL620491
S	400 (5801)	12	P-GEV 12 S/1/2 NPT	12.5	1/2 NPT	51	42	34.5	20	22	24	WAL373046	WAL620294
		14	P-GEV 14 S/1/2 NPT	15.5	1/2 NPT	54	44	36	20	24	27	WAL373047	WAL621499
		16	P-GEV 16 S/1/2 NPT	16.0	1/2 NPT	54	44	35.5	20	27	30	WAL373048	WAL620214
		20	P-GEV 20 S/3/4 NPT	25.0	3/4 NPT	59	48	37.5	20	32	36	WAL373049	WAL620212
		25	P-GEV 25 S/1 NPT	47.5	1 NPT	69	57	45	25	41	46	WAL373050	WAL620482
		30	P-GEV 30 S/1 1/4 NPT	62.0	1 1/4 NPT	73	60	46.5	26	46	50	WAL373051	WAL620497
S	315 (4569)	38	P-GEV 38 S/1 1/2 NPT	89.0	1 1/2 NPT	80	65	49	26	55	60	WAL373052	WAL620948

⚠ Caution: The pressure specifications refer to the steel version. For the stainless steel version (1.4571), please refer to the pressure specifications on page B5.

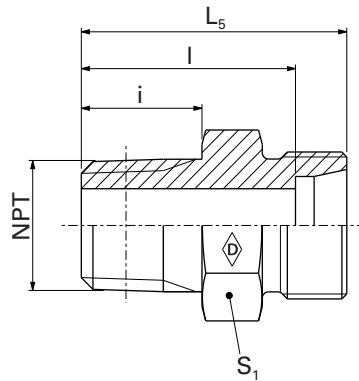
*Complete stainless steel fittings (1.4571) with silver-plated nut (AG/AGP), see price list

L₂= approximate dimension if the union nut is tightened

Special parts are available on request.

GES ... NPT

GES ... NPT-1.4571



E

								System nuts for supplementing the stud (for technical data, see part D of this catalog)				
								Stud GES ...	Stud Stainless steel GES ... -1.4571*	Walring W-R ... VI	Walform WF-M ... VI	Walform stainless steel WF-M ... VI-1.4571*
Series	PN bar (psi)	Tube outer diameter	Model	kg/ 100 pc.	NPT	Art. no.	Art. no.	Art. no.	Art. no.	Art. no.		
LL	100 (1450)	4	GES 4 LL/1/8 NPT	1.0	1/8 NPT	WAL037528	WAL617323					
		6	GES 6 LL/1/8 NPT	1.0	1/8 NPT	WAL037530	WAL602722					
		8	GES 8 LL/1/8 NPT	1.0	1/8 NPT	WAL037531	WAL371296					
L	315 (4569)	6	GES 6 L/1/8 NPT	1.2	1/8 NPT	WAL037532	WAL060038	WAL624607	WAL625940	WAL625980		
		6	GES 6 L/1/4 NPT	2.6	1/4 NPT	WAL037533	WAL060040	WAL624607	WAL625940	WAL625980		
		8	GES 8 L/1/4 NPT	2.6	1/4 NPT	WAL037534	WAL060234	WAL624608	WAL625941	WAL625981		
		10	GES 10 L/1/4 NPT	2.7	1/4 NPT	WAL037535	WAL061105	WAL624609	WAL625942	WAL625982		
		10	GES 10 L/3/8 NPT	3.7	3/8 NPT	WAL037536	WAL066871	WAL624609	WAL625942	WAL625982		
		12	GES 12 L/1/4 NPT	3.3	1/4 NPT	WAL037537	WAL061401	WAL624610	WAL625943	WAL625983		
		12	GES 12 L/3/8 NPT	3.6	3/8 NPT	WAL037538	WAL060294	WAL624610	WAL625943	WAL625983		
		12	GES 12 L/1/2 NPT	6.4	1/2 NPT	WAL037539	WAL061636	WAL624610	WAL625943	WAL625983		
		15	GES 15 L/1/2 NPT	6.3	1/2 NPT	WAL037540	WAL066642	WAL624611	WAL625944	WAL625984		
		18	GES 18 L/1/2 NPT	7.3	1/2 NPT	WAL037541	WAL027537	WAL624612	WAL625945	WAL625985		
		22	GES 22 L/3/4 NPT	10.1	3/4 NPT	WAL037542	WAL027539	WAL624613	WAL625946	WAL625986		
		L	160 (2321)	28	GES 28 L/1 NPT	17.9	1 NPT	WAL037543	WAL067862	WAL624614	WAL625947	WAL625987
35	GES 35 L/1 1/4 NPT			25.7	1 1/4 NPT	WAL037544	WAL067863	WAL624615	WAL625948	WAL625988		
42	GES 42 L/1 1/2 NPT			35.1	1 1/2 NPT	WAL037545	WAL604136	WAL624616	WAL625949	WAL625989		
S	630 (9137)	6	GES 6 S/1/4 NPT	3.6	1/4 NPT	WAL037546	WAL066587	WAL624617	WAL625950	WAL625990		
		8	GES 8 S/1/4 NPT	3.8	1/4 NPT	WAL037547	WAL370917	WAL624618	WAL625951	WAL625991		
		10	GES 10 S/1/4 NPT	4.2	1/4 NPT	WAL037548	WAL604274	WAL624619	WAL625952	WAL625992		
		10	GES 10 S/3/8 NPT	4.9	3/8 NPT	WAL037549	WAL372983	WAL624619	WAL625952	WAL625992		
		12	GES 12 S/1/4 NPT	5.8	1/4 NPT	WAL037550	WAL372802	WAL624620	WAL625953	WAL625993		
		12	GES 12 S/3/8 NPT	6.1	3/8 NPT	WAL037551	WAL372822	WAL624620	WAL625953	WAL625993		
		12	GES 12 S/1/2 NPT	8.4	1/2 NPT	WAL037552	WAL371154	WAL624620	WAL625953	WAL625993		
		14	GES 14 S/1/2 NPT	9.0	1/2 NPT	WAL037553	WAL060715					
		16	GES 16 S/1/2 NPT	9.3	1/2 NPT	WAL037554	WAL067067	WAL624621	WAL625954	WAL625994		
		20	GES 20 S/3/4 NPT	14.9	3/4 NPT	WAL037555	WAL061817	WAL624622	WAL625955	WAL625995		
		25	GES 25 S/1 NPT	27.6	1 NPT	WAL037556	WAL604630	WAL624623	WAL625956	WAL625996		
		30	GES 30 S/1 1/4 NPT	40.0	1 1/4 NPT	WAL037557	WAL604724	WAL624624	WAL625957	WAL625997		
315 (4569)	38	GES 38 S/1 1/2 NPT	57.4	1 1/2 NPT	WAL037558	WAL617363	WAL624625	WAL625958	WAL625998			

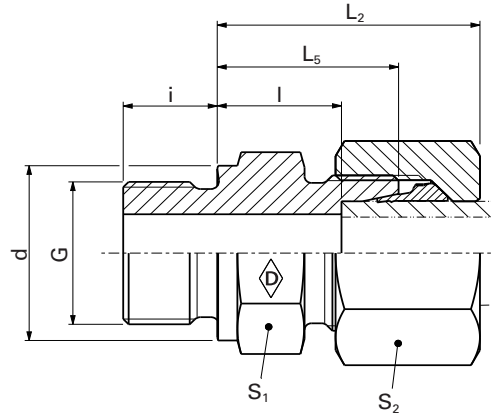
⚠ Caution: The pressure specifications refer to the steel version. For the stainless steel version (1.4571), please refer to the pressure specifications on page B5.

Special parts are available on request.

P-GEV ... R

P-GEV ... R-1.4571

- Inch studs type B to DIN EN ISO 1179-4



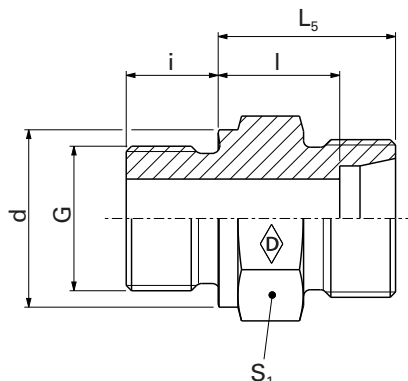
E

Series	PN bar (psi)	Tube outer diameter	Model	kg/100 pc.	DIN-ISO 228 (R ..., DIN 259) G	L ₂	L ₅	l	i	d	S ₁	S ₂	Walpro P-GEV ...	Walpro stainless steel P-GEV ...-1.4571*	
													Art. no.	Art. no.	
LL	100 (1450)	4	S-GEV 4 LLR	1.8	G 1/8 A	19	13.5	9.5	8	14	14	10	WAL038272	WAL604717	
		6	S-GEV 6 LLR	1.9	G 1/8 A	19.5	13.5	8	8	14	14	12	WAL038274	WAL061402	
		8	S-GEV 8 LLR	2.3	G 1/8 A	20.5	14.5	9	8	14	14	14	WAL038275	WAL068993	
L	400 (5801)	6	P-GEV 6 LR	2.5	G 1/8 A	23	15.5	8.5	14	14	14	14	WAL373056	WAL620004	
		6	P-GEV 6 L/R 1/4	4.1	G 1/4 A	24.5	17	10	12	18	19	14	WAL373057	WAL620140	
		6	P-GEV 6 L/R 3/8	6.0	G 3/8 A	26	18.5	11.5	12	22	22	14	WAL602638	WAL620269	
		8	P-GEV 8 LR	4.5	G 1/4 A	25	17	10	12	18	19	17	WAL373058	WAL620005	
		8	P-GEV 8 L/R 1/8	3.3	G 1/8 A	24	16.5	9.5	8	14	14	17	WAL604871	WAL620633	
		8	P-GEV 8 L/R 3/8	6.0	G 3/8 A	26	18.5	11.5	12	22	22	17	WAL373059	WAL620174	
		8	P-GEV 8 L/R 1/2	7.1	G 1/2 A	16.5	19	12	14	26	27	17	WAL374844	WAL620312	
		10	P-GEV 10 L/R	4.7	G 1/4 A	26	18	11	12	18	19	19	19	WAL373060	WAL620006
		10	P-GEV 10 L/R 3/8	6.0	G 3/8 A	27	19.5	12.5	12	22	22	19	19	WAL373061	WAL620003
		10	P-GEV 10 L/R 1/2	7.6	G 1/2 A	27.5	20	13	14	26	27	19	19	WAL373062	WAL620230
		12	P-GEV 12 L/R 1/4	6.0	G 1/4 A	27	19	12	12	18	19	22	22	WAL373063	WAL620198
		12	P-GEV 12 LR	6.3	G 3/8 A	27	19.5	12.5	12	22	22	22	22	WAL373064	WAL620007
		12	P-GEV 12 L/R 1/2	9.5	G 1/2 A	28	20	13	14	26	27	22	22	WAL373065	WAL620148
		15	P-GEV 15 L/R 3/8	9.3	G 3/8 A	28.5	20.5	13.5	12	22	24	27	27	WAL373066	WAL620191
		15	P-GEV 15 LR	16.5	G 1/2 A	29	21	14	14	26	27	27	27	WAL373067	WAL620008
		15	P-GEV 15 L/R 3/4	9.3	G 3/4 A	30	22	15	16	32	32	27	27	WAL602629	WAL620861
		18	P-GEV 18 LR	12.9	G 1/2 A	31	22	14.5	14	26	27	32	32	WAL373068	WAL620009
		18	P-GEV 18 LR 3/4	18.0	G 3/4 A	31	22	14.5	16	32	32	32	32	WAL374919	WAL620471
L	250 (3626)	22	P-GEV 22 LR	17.6	G 3/4 A	33	24	16.5	16	32	32	36	WAL373069	WAL620010	
		22	P-GEV 22 LR 1/2	17.5	G 1/2 A	33	24	16.5	14	26	32	36	WAL373845	WAL620469	
		28	P-GEV 28 LR	24.7	G 1 A	34	25	17.5	18	39	41	41	WAL373070	WAL620011	
		28	P-GEV 28 LR 3/4	25.0	G 3/4 A	34	25	17.5	16	32	41	41	WAL374846	WAL620788	
		35	P-GEV 35 LR	40.7	G 1 1/4 A	39	28	17.5	20	49	50	50	50	WAL373071	WAL620012
		42	P-GEV 42 LR	45.6	G 1 1/2 A	42	30	19	22	55	55	60	60	WAL373072	WAL620013

⚠ Caution: The pressure specifications refer to the steel version. For the stainless steel version (1.4571), please refer to the pressure specifications on page B5.

*Complete stainless steel fittings (1.4571) with silver-plated nut (AG/AGP), see price list

L₂= approximate dimension if the union nut is tightened

GES ... R
GES ... R-1.4571

E

Series	PN bar (psi)	Tube outer diameter	Model	kg/100 pc.	DIN-ISO 228 (R ..., DIN 259) G	Stud GES ... Art. no.	Stud Stainless steel GES ... -1.4571* Art. no.	System nuts for supplementing the stud (for technical data, see part D of this catalog)		
								Walring W-R ... VI Art. no.	Walform WF-M ... VI Art. no.	Walform stainless steel WF-M ... VI-1.4571* Art. no.
LL	100 (1450)	4	GES 4 LLR	1.1	G 1/8 A	WAL037559	WAL604716			
		6	GES 6 LLR	1.1	G 1/8 A	WAL037561	WAL061403			
		8	GES 8 LLR	1.2	G 1/8 A	WAL037562	WAL024261			
L	400 (5801)	6	GES 6 LR	1.4	G 1/8 A	WAL037563	WAL025478	WAL624607	WAL625940	WAL625980
		6	GES 6 L/R 1/4	2.9	G 1/4 A	WAL037564	WAL061091	WAL624607	WAL625940	WAL625980
		6	GES 6 L/R 3/8	9.1	G 3/8 A	WAL027584	WAL617364	WAL624607	WAL625940	WAL625980
		8	GES 8 LR	2.7	G 1/4 A	WAL037565	WAL025479	WAL624608	WAL625941	WAL625981
		8	GES 8 L/R 1/8	1.7	G 1/8 A	WAL604870	WAL024537	WAL624608	WAL625941	WAL625981
		8	GES 8 L/R 3/8	4.4	G 3/8 A	WAL037566	WAL024175	WAL624608	WAL625941	WAL625981
		8	GES 8 L/R 1/2	7.3	G 1/2 A	WAL062578	WAL066137	WAL624608	WAL625941	WAL625981
		10	GES 10 L/R	2.9	G 1/4 A	WAL037567	WAL025480	WAL624609	WAL625942	WAL625982
		10	GES 10 L/R 3/8	4.4	G 3/8 A	WAL037568	WAL024995	WAL624609	WAL625942	WAL625982
	10	GES 10 L/R 1/2	7.1	G 1/2 A	WAL028087	WAL066688	WAL624609	WAL625942	WAL625982	
	12	GES 12 L/R 1/4	3.3	G 1/4 A	WAL037569	WAL024611	WAL624610	WAL625943	WAL625983	
	12	GES 12 LR	4.3	G 3/8 A	WAL037570	WAL025481	WAL624610	WAL625943	WAL625983	
	12	GES 12 L/R 1/2	6.7	G 1/2 A	WAL037571	WAL024613	WAL624610	WAL625943	WAL625983	
	15	GES 15 L/R 3/8	5.1	G 3/8 A	WAL028669	WAL066617	WAL624611	WAL625944	WAL625984	
	15	GES 15 LR	6.7	G 1/2 A	WAL037572	WAL025482	WAL624611	WAL625944	WAL625984	
	15	GES 15 L/R 3/4	11.6	G 3/4 A	WAL028698	WAL613153	WAL624611	WAL625944	WAL625984	
	18	GES 18 LR	7.1	G 1/2 A	WAL037573	WAL025483	WAL624612	WAL625945	WAL625985	
	18	GES 18 L/R 3/4	11.1	G 3/4 A	WAL028701	WAL604521	WAL624612	WAL625945	WAL625985	
250 (3626)	22	GES 22 LR	10.2	G 3/4 A	WAL037574	WAL025484	WAL624613	WAL625946	WAL625986	
	22	GES 22 L/R 1/2	8.7	G 1/2 A	WAL025257	WAL604504	WAL624613	WAL625946	WAL625986	
	28	GES 28 LR	16.8	G 1 A	WAL037575	WAL025485	WAL624614	WAL625947	WAL625987	
	28	GES 28 L/R 3/4	14.3	G 3/4 A	WAL060071	WAL615377	WAL624614	WAL625947	WAL625987	
	35	GES 35 LR	27.6	G 1 1/4 A	WAL037576	WAL025486	WAL624615	WAL625948	WAL625988	
	42	GES 42 LR	35.2	G 1 1/2 A	WAL037577	WAL025487	WAL624616	WAL625949	WAL625989	

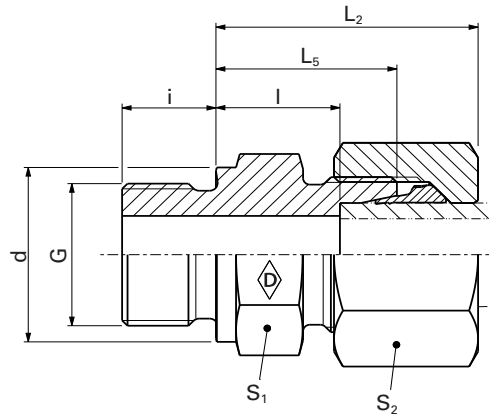
⚠ Caution: The pressure specifications refer to the steel version. For the stainless steel version (1.4571), please refer to the pressure specifications on page B5.

Straight male fittings

P-GEV ... R

P-GEV ... R-1.4571

- Inch studs type B to DIN EN ISO 1179-4



L₅

Series	PN bar (psi)	Tube outer diameter	Model	kg/100 pc.	DIN-ISO 228 (R..., DIN 259) G	L ₂	L ₅	l	i	d	S ₁	S ₂	Walpro P-GEV ...	Walpro stainless steel P-GEV ...-1.4571*
													Art. no.	Art. no.
S	630 (9137)	6	P-GEV 6 SR	5	G 1/4 A	20	28	13	12	18	19	17	WAL373073	WAL620014
		8	P-GEV 8 SR	5.5	G 1/4 A	22	30	15	12	18	19	19	WAL373074	WAL620015
		8	P-GEV 8 SR 3/8	8.0	G 3/8 A	22.5	30.5	15.5	12	22	22	19	WAL374849	WAL620811
		10	P-GEV 10 SR	8.2	G 3/8 A	22.5	31	15	12	22	22	22	WAL373075	WAL620016
		10	P-GEV 10 SR 1/4	7.5	G 1/4 A	22	30.5	14.5	12	18	19	22	WAL602938	WAL620295
		10	P-GEV 10 SR 1/2	13.0	G 1/2 A	25	33.5	17.5	14	26	27	22	WAL374850	WAL620224
		12	P-GEV 12 SR	9.5	G 3/8 A	24	33	17	12	22	22	24	WAL373076	WAL620017
		12	P-GEV 12 SR 1/4	9.5	G 1/4 A	24	32.5	16.5	12	18	22	24	WAL602939	WAL620353
		12	P-GEV 12 S/R 1/2	13.5	G 1/2 A	25	34	17.5	14	26	27	24	WAL373077	WAL620120
		14	P-GEV 14 SR	14.8	G 1/2 A	27	37	19	14	26	27	27	WAL373078	WAL621512
		16	P-GEV 16 SR	15.4	G 1/2 A	27	37	18.5	14	26	27	30	WAL373079	WAL620018
		16	P-GEV 16 SR 3/8	16.0	G 3/8 A	26.5	36.5	18	12	22	27	30	WAL374852	WAL620352
		16	P-GEV 16 SR 3/4	23.0	G 3/4 A	29	40	21.5	16	32	32	30	WAL604264	WAL620789
		20	P-GEV 20 SR	25.3	G 3/4 A	31	42	20.5	16	32	32	36	WAL373080	WAL620019
		400 (5801)	20	P-GEV 20 S/R 1/2	24.5	G 1/2 A	31	40	18.5	14	26	32	36	WAL602651
25	P-GEV 25 SR		46.5	G 1 A	35	47	23	18	39	41	46	WAL373081	WAL620020	
25	P-GEV 25 S/R 3/4		45.5	G 3/4 A	35	47	23	16	32	41	46	WAL374854	WAL620606	
250 (3626)	30	P-GEV 30 SR	64.4	G 1 1/4 A	37	50	23.5	20	49	50	50	WAL373082	WAL620021	
	38	P-GEV 38 SR	88.9	G 1 1/2 A	42	57	26	22	55	55	60	WAL373083	WAL620022	
	38	P-GEV 38 S/R 1 1/4	89.6	G 1 1/4 A	42	57	26	20	49	55	60	WAL603977	WAL620630	

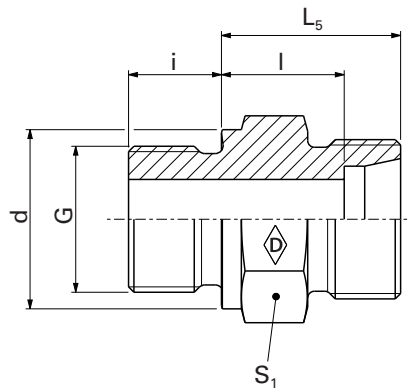
⚠ Caution: The pressure specifications refer to the steel version. For the stainless steel version (1.4571), please refer to the pressure specifications on page B5.

*Complete stainless steel fittings (1.4571) with silver-plated nut (AG/AGP), see price list

L₂= approximate dimension if the union nut is tightened

GES ... R

GES ... R-1.4571



E

System nuts for supplementing the stud
(for technical data, see part D of this catalog)

Series	PN bar (psi)	Tube outer diameter	DIN-ISO 228 (R ..., DIN 259) G	kg/ 100 pc.	DIN-ISO 228 (R ..., DIN 259) G	Art. no.	Stud Stainless steel GES ... -1.4571*	System nuts for supplementing the stud (for technical data, see part D of this catalog)			
								Walring W-R ... VI	Walform WF-M ... VI	Walform stainless steel WF-M ... VI-1.4571*	
S	630 (9137)	6	GES 6 SR	3.6	G 1/4 A	WAL037578	WAL025488	WAL624617	WAL625950	WAL625990	
		8	GES 8 SR	4.1	G 1/4 A	WAL037579	WAL025489	WAL624618	WAL625951	WAL625991	
		8	GES 8 S/R 3/8	5.8	G 3/8 A	WAL370740	WAL617381	WAL624618	WAL625951	WAL625991	
		10	GES 10 SR	5.7	G 3/8 A	WAL037580	WAL025490	WAL624619	WAL625952	WAL625992	
		10	GES 10 S/R 1/4	4.0	G 1/4 A	WAL067917	WAL067084	WAL624619	WAL625952	WAL625992	
		10	GES 10 S/R 1/2	9.7	G 1/2 A	WAL060170	WAL066872	WAL624619	WAL625952	WAL625992	
		12	GES 12 SR	6.3	G 3/8 A	WAL037581	WAL025491	WAL624620	WAL625953	WAL625993	
		12	GES 12 S/R 1/4	5.7	G 1/4 A	WAL371817	WAL617383	WAL624620	WAL625953	WAL625993	
		12	GES 12 S/R 1/2	9.7	G 1/2 A	WAL037582	WAL060015	WAL624620	WAL625953	WAL625993	
		14	GES 14 SR	9.6	G 1/2 A	WAL037583	WAL025492				
		16	GES 16 SR	9.1	G 1/2 A	WAL037584	WAL025493	WAL624621	WAL625954	WAL625994	
		16	GES 16 S/R 3/8	8.6	G 3/8 A	WAL024062	WAL372245	WAL624621	WAL625954	WAL625994	
		16	GES 16 S/R 3/4	15.5	G 3/4 A	WAL025474	WAL617388	WAL624621	WAL625954	WAL625994	
		20	GES 20 SR	14.9	G 3/4 A	WAL037585	WAL025494	WAL624622	WAL625955	WAL625995	
		400 (5801)	20	GES 20 S/R 1/2	13.6	G 1/2 A	WAL028704	WAL066306	WAL624622	WAL625955	WAL625995
		25	GES 25 SR	26.9	G 1 A	WAL037586	WAL025495	WAL624623	WAL625956	WAL625996	
		25	GES 25 S/R 3/4	24.3	G 3/4 A	WAL028789	WAL605636	WAL624623	WAL625956	WAL625996	
		250 (3626)	30	GES 30 SR	41.8	G 1 1/4 A	WAL037587	WAL025496	WAL624624	WAL625957	WAL625997
38	GES 38 SR	56.8	G 1 1/2 A	WAL037588	WAL025497	WAL624625	WAL625958	WAL625998			
38	GES 38 S/R 1 1/4	56.7	G 1 1/4 A	WAL025223	WAL606647	WAL624625	WAL625958	WAL625998			

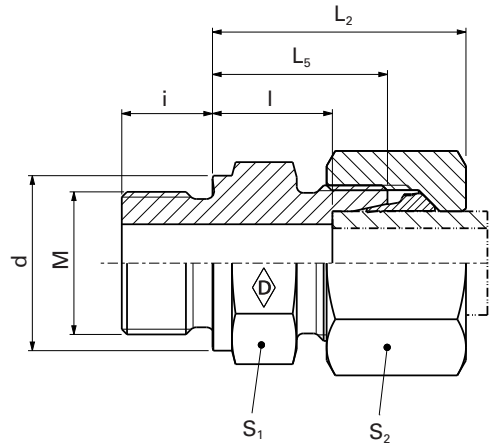
Caution: The pressure specifications refer to the steel version. For the stainless steel version (1.4571), please refer to the pressure specifications on page B5.

Straight male fittings

P-GEV ... M

P-GEV ... M-1.4571

- Metric stud type B to DIN EN ISO 9974-3



E

Series	PN bar (psi)	Tube outer diameter	Model	kg/100 pc.	M	L ₂	L ₅	l	i	d	S ₁	S ₂	Walpro P-GEV ...	Walpro stainless steel P-GEV ...-1.4571*
LL	100 (1450)	4	S-GEV 4 LLM	1.8	M 8 x 1	19	13.5	9.5	8	12	12	10	WAL038302	WAL623050
		6	S-GEV 6 LLM	1.9	M 10 x 1	19.5	13.5	8	8	14	14	12	WAL038304	WAL623052
		8	S-GEV 8 LLM	2.3	M 10 x 1	20.5	14.5	9	8	14	14	14	WAL038305	WAL371486
L	400 (5801)	6	P-GEV 6 LM	2.5	M 10 x 1	23	15.5	8.5	8	14	14	14	WAL373087	WAL620023
		6	P-GEV 6 L/M 12 x 1.5	4.0	M 12 x 1.5	24.5	17	10	12	17	17	14	WAL373088	WAL623054
		8	P-GEV 8 LM	4.0	M 12 x 1.5	25	17	10	12	17	17	17	WAL373089	WAL620024
		8	P-GEV 8 L/M 18 x 1.5	6.8	M 18 x 1.5	26	18.5	11.5	12	23	24	17	WAL373090	WAL623056
		10	P-GEV 10 LM	4.7	M 14 x 1.5	26	18	11	12	19	19	19	WAL373091	WAL620025
		10	P-GEV 10 L/M 16 x 1.5	6.2	M 16 x 1.5	27	19.5	12.5	12	21	22	19	WAL602652	WAL623057
		10	P-GEV 10 L/M 18 x 1.5	7.6	M 18 x 1.5	27	19.5	12.5	12	23	24	19	WAL373092	WAL623059
		10	P-GEV 10 L/M 22 x 1.5	8.3	M 22 x 1.5	27.5	20	13	14	27	27	19	WAL373093	WAL623060
		12	P-GEV 12 LM	6.3	M 16 x 1.5	27	19.5	12.5	12	21	22	22	WAL373094	WAL620026
		12	P-GEV 12 L/M 18 x 1.5	7.8	M 18 x 1.5	27	19.5	12.5	12	23	24	22	WAL373095	WAL623062
		12	P-GEV 12 L/M 22 x 1.5	9.5	M 22 x 1.5	27.5	20	13	14	27	27	22	WAL373096	WAL623063
		15	P-GEV 15 LM	9.5	M 18 x 1.5	29	20.5	13.5	12	23	24	27	WAL373097	WAL620027
		15	P-GEV 15 L/M 22 x 1.5	11.5	M 22 x 1.5	29	21	14	14	27	27	27	WAL373098	WAL620816
		18	P-GEV 18 L/M 18 x 1.5	12.2	M 18 x 1.5	30	21.5	14	12	23	27	32	WAL373099	WAL623065
		18	P-GEV 18 LM	12.9	M 22 x 1.5	31	22	14.5	14	27	27	32	WAL373100	WAL620028
S	250 (3626)	22	P-GEV 22 LM	17.6	M 26 x 1.5	33	24	16.5	16	31	32	36	WAL373101	WAL620424
		28	P-GEV 28 LM	24.7	M 33 x 2	34	25	17.5	18	39	41	41	WAL373102	WAL620029
		35	P-GEV 35 LM	40.7	M 42 x 2	39	28	17.5	20	49	50	50	WAL373103	WAL620452
		42	P-GEV 42 LM	45.6	M 48 x 2	42	30	19	22	55	55	60	WAL373104	WAL620995
S	630 (9137)	6	P-GEV 6 SM	4.5	M 12 x 1.5	28	20	13	12	17	17	17	WAL373105	WAL620030
		8	P-GEV 8 SM	5.5	M 14 x 1.5	30	22	15	12	19	19	19	WAL373106	WAL620031
		10	P-GEV 10 SM	8.2	M 16 x 1.5	31	22.5	15	12	21	22	22	WAL373107	WAL620032
		12	P-GEV 12 SM	10.5	M 18 x 1.5	33	24.5	17	12	23	24	24	WAL373108	WAL620033
		14	P-GEV 14 SM	14.8	M 20 x 1.5	37	27	19	14	25	27	27	WAL373109	WAL621510
		16	P-GEV 16 SM	15.4	M 22 x 1.5	37	27	18.5	14	27	27	30	WAL373110	WAL620661
S	400 (5801)	20	P-GEV 20 SM	25.3	M 27 x 2	42	31	20.5	16	32	32	36	WAL373111	WAL620503
		25	P-GEV 25 SM	46.5	M 33 x 2	47	35	23	18	39	41	46	WAL373112	WAL620887
S	250 (3626)	30	P-GEV 30 SM	64.4	M 42 x 2	50	37	23.5	20	49	50	50	WAL373113	WAL621150
		38	P-GEV 38 SM	88.9	M 48 x 2	57	42	26	22	55	55	60	WAL373114	WAL620662

⚠ Caution: The pressure specifications refer to the steel version. For the stainless steel version (1.4571), please refer to the pressure specifications on page B5.

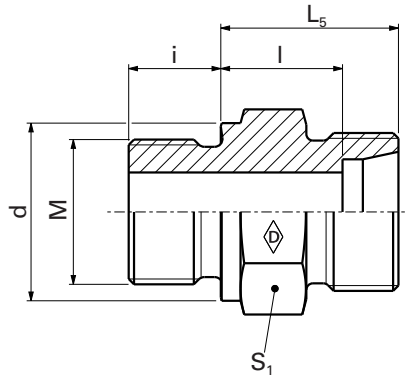
*Complete stainless steel fittings (1.4571) with silver-plated nut (AG/AGP), see price list

L₂= approximate dimension if the union nut is tightened

Special parts are available on request.

GES ... M

GES ... M-1.4571



E

Series	PN bar (psi)	Tube outer diameter	Model	kg/100 pc.	M	Art. no.	Art. no.	System nuts for supplementing the stud (for technical data, see part D of this catalog)		
								Stud GES ...	Stud Stainless steel GES ... -1.4571*	Walring W-R ... VI
LL	100 (1450)	4	GES 4 LLM	0.9	M 8 x 1	WAL037589	WAL623051			
		6	GES 6 LLM	1.1	M 10 x 1	WAL037591	WAL623053			
		8	GES 8 LLM	1.2	M 10 x 1	WAL037592	WAL371485			
L	400 (5801)	6	GES 6 LM	1.4	M 10 x 1	WAL037593	WAL025498	WAL624607	WAL625940	WAL625980
		6	GES 6 L/M 12 x 1.5	2.6	M 12 x 1.5	WAL037594	WAL623055	WAL624607	WAL625940	WAL625980
		8	GES 8 LM	2.3	M 12 x 1.5	WAL037595	WAL025499	WAL624608	WAL625941	WAL625981
		8	GES 8 L/M 18 x 1.5	5.1	M 18 x 1.5	WAL024882	WAL372571	WAL624608	WAL625941	WAL625981
		10	GES 10 LM	2.9	M 14 x 1.5	WAL037596	WAL025500	WAL624609	WAL625942	WAL625982
		10	GES 10 L/M 16 x 1.5	4.0	M 16 x 1.5	WAL063190	WAL623058	WAL624609	WAL625942	WAL625982
	10	GES 10 L/M 18 x 1.5	5.0	M 18 x 1.5	WAL025287	WAL372883	WAL624609	WAL625942	WAL625982	
	10	GES 10 L/M 22 x 1.5	7.6	M 22 x 1.5	WAL028692	WAL623061	WAL624609	WAL625942	WAL625982	
	12	GES 12 LM	4.0	M 16 x 1.5	WAL037597	WAL025501	WAL624610	WAL625943	WAL625983	
	12	GES 12 L/M 18 x 1.5	4.7	M 18 x 1.5	WAL037598	WAL602783	WAL624610	WAL625943	WAL625983	
	12	GES 12 L/M 22 x 1.5	7.3	M 22 x 1.5	WAL028695	WAL623064	WAL624610	WAL625943	WAL625983	
	15	GES 15 LM	5.2	M 18 x 1.5	WAL037599	WAL025502	WAL624611	WAL625944	WAL625984	
	15	GES 15 L/M 22 x 1.5	7.4	M 22 x 1.5	WAL028117	WAL604968	WAL624611	WAL625944	WAL625984	
	18	GES 18 L/M 18 x 1.5	6.4	M 18 x 1.5	WAL029643	WAL623066	WAL624612	WAL625945	WAL625985	
	18	GES 18 LM	7.6	M 22 x 1.5	WAL037600	WAL025503	WAL624612	WAL625945	WAL625985	
	22	GES 22 LM	10.1	M 26 x 1.5	WAL037601	WAL604218	WAL624613	WAL625946	WAL625986	
	250 (3626)	28	GES 28 LM	16.7	M 33 x 2	WAL037602	WAL025505	WAL624614	WAL625947	WAL625987
		35	GES 35 LM	28.2	M 42 x 2	WAL037603	WAL025506	WAL624615	WAL625948	WAL625988
42		GES 42 LM	35.8	M 48 x 2	WAL037604	WAL617435	WAL624616	WAL625949	WAL625989	
S	630 (9137)	6	GES 6 SM	3.0	M 12 x 1.5	WAL037605	WAL028656	WAL624617	WAL625950	WAL625990
		8	GES 8 SM	4.3	M 14 x 1.5	WAL037606	WAL025508	WAL624618	WAL625951	WAL625991
		10	GES 10 SM	5.5	M 16 x 1.5	WAL037607	WAL025509	WAL624619	WAL625952	WAL625992
	12	GES 12 SM	7.2	M 18 x 1.5	WAL037608	WAL025510	WAL624620	WAL625953	WAL625993	
	14	GES 14 SM	9.4	M 20 x 1.5	WAL037609	WAL025511				
	16	GES 16 SM	9.8	M 22 x 1.5	WAL037610	WAL025512	WAL624621	WAL625954	WAL625994	
400 (5801)	20	GES 20 SM	15.3	M 27 x 2	WAL037611	WAL025513	WAL624622	WAL625955	WAL625995	
	25	GES 25 SM	26.9	M 33 x 2	WAL037612	WAL025514	WAL624623	WAL625956	WAL625996	
250 (3626)	30	GES 30 SM	42.8	M 42 x 2	WAL037613	WAL617436	WAL624624	WAL625957	WAL625997	
	38	GES 38 SM	57.5	M 48 x 2	WAL037614	WAL025516	WAL624625	WAL625958	WAL625998	

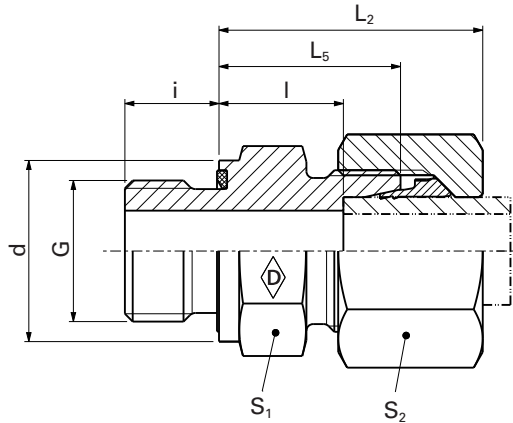
⚠ Caution: The pressure specifications refer to the steel version. For the stainless steel version (1.4571), please refer to the pressure specifications on page B5.

Special parts are available on request.

P-GEV ... R-WD

P-GEV ... R-WD-1.4571

- With soft seal made from NBR** (e.g. Perbunan) for steel
- With soft seal made from FKM (e.g. Viton) for stainless steel (1.4571)
- Inch studs type E to DIN EN ISO 1179-2



E

Series	PN bar (psi)	Tube outer diameter	Model	kg/100 pc.	DIN-ISO 228 (R..., DIN 259) G	L ₂	L ₅	l	i	d	S ₁	S ₂	Walpro	Walpro stainless steel
													P-GEV ...	P-GEV ... -VI-1.4571
													Art. no.	Art. no.
L	500 (7252)	6	P-GEV 6 LR-WD	2.5	G 1/8 A	23	15.5	8.5	8	13.9	14	14	WAL373115	WAL620444
		6	P-GEV 6 L/R 1/4-WD	4.1	G 1/4 A	24.5	17	10	12	18.9	19	14	WAL605925	WAL620754
		8	P-GEV 8 LR-WD	4.5	G 1/4 A	25	17	10	12	18.9	19	17	WAL373116	WAL620509
		8	P-GEV 8 L/R 1/8-WD	3.8	G 1/8 A	24	16.5	9.5	8	13.9	14	17	WAL605926	WAL620971
	400 (5801)	8	P-GEV 8 L/R 3/8-WD	6.0	G 3/8 A	26	18.5	11.5	12	21.9	22	17	WAL605927	WAL620907
	500 (7252)	10	P-GEV 10 LR-WD	4.7	G 1/4 A	26	18	11	12	18.9	19	19	WAL373117	WAL620437
		10	P-GEV 10 L/R 3/8-WD	6.5	G 3/8 A	27	19.5	12.5	12	21.9	22	19	WAL602560	WAL620752
		10	P-GEV 10 L/R 1/2-WD	7.6	G 1/2 A	27.5	21	13	14	26.9	27	19	WAL605928	WAL620753
		12	P-GEV 12 L/R 1/4-WD	6.0	G 1/4 A	27	19	12	12	18.9	19	22	WAL373118	WAL620592
	400 (5801)	12	P-GEV 12 LR-WD	6.3	G 3/8 A	27	19.5	12.5	12	21.9	22	22	WAL373119	WAL620561
		12	P-GEV 12 L/R 1/2-WD	10.0	G 1/2 A	28	20	13	14	26.9	27	22	WAL602513	WAL620761
		15	P-GEV 15 L/R 3/8-WD	9.3	G 1/2 A	28	20	13.5	14	26.9	27	27	WAL373120	WAL620852
		15	P-GEV 15 LR-WD	11.5	G 3/8 A	28.5	21	14	12	21.9	27	27	WAL605443	WAL620460
		18	P-GEV 18 LR-WD	12.9	G 1/2 A	31	22	14.5	14	26.9	27	32	WAL373121	WAL620438
		18	P-GEV 18 L/R 3/4-WD	18.0	G 3/4 A	31	22	14.5	16	31.9	32	32	WAL605215	WAL620977
	250 (3626)	22	P-GEV 22 LR-WD	17.6	G 3/4 A	33	24	16.5	14	26.9	32	36	WAL373122	WAL620439
28		P-GEV 28 LR-WD	24.7	G 1 A	34	25	17.5	18	39.9	41	41	WAL373123	WAL620440	
35		P-GEV 35 LR-WD	40.7	G 1 1/4 A	39	28	17.5	20	49.9	50	50	WAL373124	WAL620558	
42		P-GEV 42 LR-WD	45.6	G 1 1/2 A	42	30	19	22	54.9	55	60	WAL373125	WAL620593	
S	800 (11603)	6	P-GEV 6 SR-WD	5.0	G 1/4 A	28	20	13	12	18.9	19	17	WAL373126	WAL620445
		8	P-GEV 8 SR-WD	5.5	G 1/4 A	30	22	15	12	18.9	19	19	WAL373127	WAL620763
		8	P-GEV 8 S/R 3/8-WD	5.3	G 3/8 A	30.5	22.5	15.5	12	21.9	22	19	WAL604229	WAL620988
		10	P-GEV 10 SR-WD	8.2	G 3/8 A	31	22.5	15	12	21.9	22	22	WAL373128	WAL620567
	10	P-GEV 10 S/R 1/4-WD	7.5	G 1/4 A	30.5	22	14.5	12	18.9	19	22	WAL605114	WAL620644	
	10	P-GEV 10 S/R 1/2-WD	8.9	G 1/2 A	33.5	25	17.5	14	26.9	27	22	WAL605932	WAL620822	
	12	P-GEV 12 SR-WD	9.5	G 3/8 A	33	24.5	17	12	21.9	22	24	WAL373129	WAL620478	
	12	P-GEV 12 S/R 1/4-WD	9.5	G 1/4 A	32.5	24	16.5	12	18.9	22	24	WAL605933	WAL620645	
	12	P-GEV 12 S/R 1/2-WD	13.5	G 1/2 A	34	25	17.5	14	26.9	27	24	WAL604466	WAL620828	
	630 (9137)	14	P-GEV 14 SR-WD	14.8	G 1/2 A	37	27	19	14	26.9	27	27	WAL373130	WAL621513
420 (6091)	16	P-GEV 16 SR-WD	15.4	G 1/2 A	37	27	18.5	14	26.9	27	30	WAL373131	WAL620562	
	16	P-GEV 16 S/R 3/8-WD	15.2	G 3/8 A	36.5	26	18	12	21.9	27	30	WAL605222	WAL620795	
	16	P-GEV 16 S/R 3/4-WD	23.0	G 3/4 A	39	29	20.5	16	31.9	32	30	WAL604561	WAL620991	
	20	P-GEV 20 SR-WD	25.3	G 3/4 A	42	31	20.5	16	31.9	32	36	WAL373132	WAL620643	
	25	P-GEV 25 SR-WD	46.5	G 1 A	47	35	23	18	39.9	41	46	WAL373133	WAL620598	
	25	P-GEV 25 S/R 3/4-WD	45.5	G 3/4 A	47	35	23	16	31.9	41	46	WAL604562	WAL620647	
	30	P-GEV 30 SR-WD	64.4	G 1 1/4 A	50	37	23.5	20	49.9	50	50	WAL373134	WAL620646	
	38	P-GEV 38 SR-WD	88.9	G 1 1/2 A	57	42	26	22	54.9	55	60	WAL373135	WAL620617	

⚠ Caution: The pressure specifications refer to the steel version. For the stainless steel version (1.4571), please refer to the pressure specifications on page B5.

*Complete stainless steel fittings (1.4571) with silver-plated nut (AG/AGP), see price list

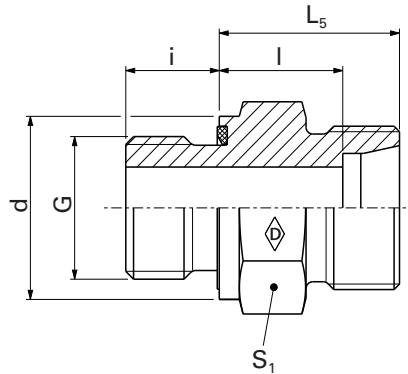
L₂ = approximate dimension if the union nut is tightened

**FPM (e.g. Viton) see price list / available on request

Special parts are available on request.

GES ... R-WD

GES ... R-WD-1.4571



E

						System nuts for supplementing the stud (for technical data, see part D of this catalog)					
						Stud GES ...	Stud Stainless steel GES ... -VI-1.4571*	Walring W-R ... VI	Walform WF-M ... VI	Walform stainless steel WF-M ... VI-1.4571*	
Series	PN bar (psi)	Tube outer diameter (Ø ext.)	Model	kg/ 100 pc.	DIN-ISO 228 (R ..., DIN 259) G	Art. no.	Art. no.	Art. no.	Art. no.	Art. no.	
L	500 (7252)	6	GES 6 LR-WD	1.5	G 1/8 A	WAL037615	WAL602810	WAL624607	WAL625940	WAL625980	
		6	GES 6 L/R 1/4-WD	3.0	G 1/4 A	WAL606456	WAL617396	WAL624607	WAL625940	WAL625980	
		8	GES 8 LR-WD	2.5	G 1/4 A	WAL037616	WAL602768	WAL624608	WAL625941	WAL625981	
		8	GES 8 L/R 1/8-WD	1.7	G 1/8 A	WAL606457	WAL617399	WAL624608	WAL625941	WAL625981	
	400 (5801)	8	GES 8 L/R 3/8-WD	4.8	G 3/8 A	WAL606458	WAL617400	WAL624608	WAL625941	WAL625981	
	500 (7252)	10	GES 10 LR-WD	3.0	G 1/4 A	WAL037617	WAL371729	WAL624609	WAL625942	WAL625982	
		10	GES 10 L/R 3/8-WD	4.0	G 3/8 A	WAL027596	WAL617403	WAL624609	WAL625942	WAL625982	
		10	GES 10 L/R 1/2-WD	5.2	G 1/2 A	WAL606414	WAL617404	WAL624609	WAL625942	WAL625982	
		12	GES 12 L/R 1/4-WD	3.5	G 1/4 A	WAL037618	WAL605376	WAL624610	WAL625943	WAL625983	
		12	GES 12 LR-WD	4.0	G 3/8 A	WAL037619	WAL371730	WAL624610	WAL625943	WAL625983	
		12	GES 12 L/R 1/2-WD	6.5	G 1/2 A	WAL024957	WAL615260	WAL624610	WAL625943	WAL625983	
		400 (5801)	15	GES 15 LR-WD	6.5	G 1/2 A	WAL037620	WAL371731	WAL624611	WAL625944	WAL625984
			15	GES 15 L/R 3/8-WD	4.9	G 3/8 A	WAL604985	WAL610673	WAL624611	WAL625944	WAL625984
	18		GES 18 LR-WD	7.0	G 1/2 A	WAL037621	WAL371732	WAL624612	WAL625945	WAL625985	
	18		GES 18 L/R 3/4-WD	13.5	G 3/4 A	WAL605124	WAL613147	WAL624612	WAL625945	WAL625985	
	250 (3626)	22	GES 22 LR-WD	10.5	G 3/4 A	WAL037622	WAL371733	WAL624613	WAL625946	WAL625986	
		28	GES 28 LR-WD	16.5	G 1 A	WAL037623	WAL371734	WAL624614	WAL625947	WAL625987	
		35	GES 35 LR-WD	27.0	G 1 1/4 A	WAL037624	WAL605252	WAL624615	WAL625948	WAL625988	
		42	GES 42 LR-WD	34.5	G 1 1/2 A	WAL037625	WAL605379	WAL624616	WAL625949	WAL625989	
	S	800 (11603)	6	GES 6 SR-WD	3.5	G 1/4 A	WAL037626	WAL605280	WAL624617	WAL625950	WAL625990
8			GES 8 SR-WD	4.0	G 1/4 A	WAL037627	WAL604432	WAL624618	WAL625951	WAL625991	
8			GES 8 S/R 3/8-WD	6.2	G 3/8 A	WAL371292	WAL617419	WAL624618	WAL625951	WAL625991	
10			GES 10 SR-WD	5.5	G 3/8 A	WAL037628	WAL605325	WAL624619	WAL625952	WAL625992	
10			GES 10 S/R 1/4-WD	4.7	G 1/4 A	WAL602927	WAL605271	WAL624619	WAL625952	WAL625992	
10			GES 10 S/R 1/2-WD	13.9	G 1/2 A	WAL606460	WAL617421	WAL624619	WAL625952	WAL625992	
630 (9137)		12	GES 12 SR-WD	9.5	G 3/8 A	WAL037629	WAL602918	WAL624620	WAL625953	WAL625993	
		12	GES 12 S/R 1/4-WD	5.8	G 1/4 A	WAL606425	WAL613333	WAL624620	WAL625953	WAL625993	
		12	GES 12 S/R 1/2-WD	9.5	G 1/2 A	WAL027858	WAL613283	WAL624620	WAL625953	WAL625993	
		14	GES 14 SR-WD	9.5	G 1/2 A	WAL037630	WAL605299				
		16	GES 16 SR-WD	9.0	G 1/2 A	WAL037631	WAL604607	WAL624621	WAL625954	WAL625994	
		16	GES 16 S/R 3/8-WD	8.5	G 3/8 A	WAL371285	WAL613275	WAL624621	WAL625954	WAL625994	
420 (6091)	16	GES 16 S/R 3/4-WD	15.5	G 3/4 A	WAL066454	WAL605330	WAL624621	WAL625954	WAL625994		
	20	GES 20 SR-WD	15.0	G 3/4 A	WAL037632	WAL605677	WAL624622	WAL625955	WAL625995		
	25	GES 25 SR-WD	26.5	G 1 A	WAL037633	WAL606245	WAL624623	WAL625956	WAL625996		
	25	GES 25 S/R 3/4-WD	24.5	G 3/4 A	WAL066516	WAL617430	WAL624623	WAL625956	WAL625996		
	30	GES 30 SR-WD	42.0	G 1 1/4 A	WAL037634	WAL605678	WAL624624	WAL625957	WAL625997		
	38	GES 38 SR-WD	56.5	G 1 1/2 A	WAL037635	WAL604606	WAL624625	WAL625958	WAL625998		

⚠ Caution: The pressure specifications refer to the steel version. For the stainless steel version (1.4571), please refer to the pressure specifications on page B5.

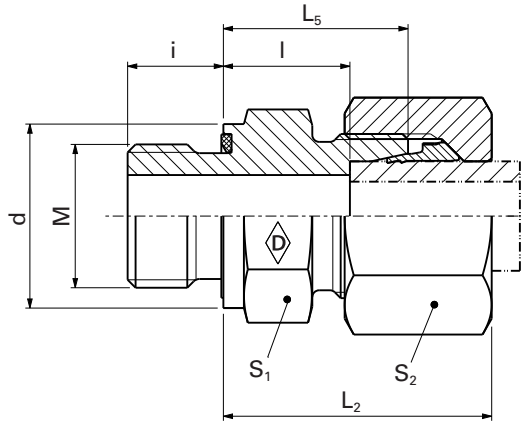
Special parts are available on request.

Straight male fittings

P-GEV ... M-WD

P-GEV ... M-WD-1.4571

- With soft seal made from NBR** (e.g. Perbunan) for steel
- With soft seal made from FKM (e.g. Viton) for stainless steel (1.4571)
- Metric stud type E to DIN EN ISO 9974-2



E

Series	PN bar (psi)	Tube outer diameter	Model	M	kg/100 pc.	L ₂	L ₅	L	i	d	S ₁	S ₂	Art. no.	Art. no.	
500 (7252)		6	P-GEV 6 LM-WD	M 10 x 1	2.5	23	15.5	8.5	8	13.9	14	14	WAL373136	WAL620601	
		8	P-GEV 8 LM-WD	M 12 x 1.5	4.0	25	17	10	12	16.9	17	17	WAL373137	WAL620805	
		10	P-GEV 10 LM-WD	M 14 x 1.5	4.7	26	18	11	12	18.9	19	19	WAL373138	WAL620451	
		10	P-GEV 10 L/M 18 x 1.5-WD	M 18 x 1.5	7.6	27	19.5	12.5	12	23.9	24	19	WAL605930	WAL623067	
		10	P-GEV 10 L/M 22 x 1.5-WD	M 22 x 1.5	8.3	27.5	20	13	14	26.9	27	19	WAL605931	WAL623069	
	L	400 (5801)	12	P-GEV 12 LM-WD	M 16 x 1.5	6.3	27	19.5	12.5	12	21.9	22	22	WAL373139	WAL620591
			12	P-GEV 12 L/M 18 x 1.5-WD	M 18 x 1.5	7.8	27	17	12.5	12	23.9	24	22	WAL602562	WAL623071
			12	P-GEV 12 L/M 22 x 1.5-WD	M 22 x 1.5	9.5	27.5	20	13	14	26.9	27	22	WAL602563	WAL620817
			15	P-GEV 15 LM-WD	M 18 x 1.5	9.5	29	20.5	13.5	12	23.9	24	27	WAL373140	WAL620622
			15	P-GEV 15 L/M 22 x 1.5-WD	M 22 x 1.5	11.5	29	21	14	14	26.9	27	27	WAL602564	WAL620820
250 (3626)		18	P-GEV 18 LM-WD	M 22 x 1.5	12.2	30	22	14	14	26.9	27	32	WAL373141	WAL620608	
		18	P-GEV 18 L/M 18 x 1.5-WD	M 18 x 1.5	12.9	31	21.5	14.5	12	23.9	27	32	WAL605934	WAL621515	
		22	P-GEV 22 LM-WD	M 26 x 1.5	17.6	33	24	16.5	16	31.9	32	36	WAL373142	WAL620996	
		28	P-GEV 28 LM-WD	M 33 x 2	24.7	34	25	17.5	18	39.9	41	41	WAL373143	WAL620891	
		35	P-GEV 35 LM-WD	M 42 x 2	40.7	39	28	17.5	20	49.9	50	50	WAL373144	WAL620892	
		42	P-GEV 42 LM-WD	M 48 x 2	45.6	42	30	19	22	54.9	55	60	WAL373145	WAL620796	
S	800 (11603)	6	P-GEV 6 SM-WD	M 12 x 1.5	4.5	28	20	13	12	16.9	17	17	WAL373146	WAL620564	
		8	P-GEV 8 SM-WD	M 14 x 1.5	5.5	30	22	15	12	18.9	19	19	WAL373147	WAL620565	
		10	P-GEV 10 SM-WD	M 16 x 1.5	8.2	31	22.5	15	12	21.9	22	22	WAL373148	WAL620621	
		12	P-GEV 12 SM-WD	M 18 x 1.5	10.5	33	24.5	17	12	23.9	24	24	WAL373149	WAL620559	
		14	P-GEV 14 SM-WD	M 20 x 1.5	14.8	37	27	19	14	25.9	27	27	WAL373150	WAL621511	
	630 (9137)		16	P-GEV 16 SM-WD	M 22 x 1.5	15.4	37	27	18.5	14	26.9	27	30	WAL373151	WAL620566
			20	P-GEV 20 SM-WD	M 27 x 2	25.3	42	31	20.5	16	31.9	32	36	WAL373152	WAL620623
			25	P-GEV 25 SM-WD	M 33 x 2	46.5	47	35	23	18	39.9	41	46	WAL373153	WAL620642
			30	P-GEV 30 SM-WD	M 42 x 2	64.4	50	37	23.5	20	49.9	50	50	WAL373154	WAL620997
			38	P-GEV 38 SM-WD	M 48 x 2	88.9	57	42	26	22	54.9	55	60	WAL373155	WAL620734

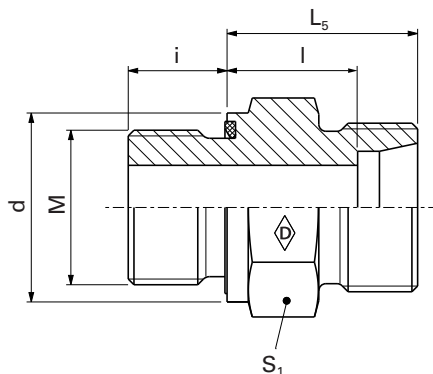
Walpro P-GEV ...
Walpro stainless steel P-GEV ...-1.4571*

⚠ Caution: The pressure specifications refer to the steel version. For the stainless steel version (1.4571), please refer to the pressure specifications on page B5.

*Complete stainless steel fittings (1.4571) with silver-plated nut (AG/AGP), see price list

L₂ = approximate dimension if the union nut is tightened

**FPM (e.g. Viton) see price list / available on request

GES ... M-WD
GES ... M-WD-1.4571

E

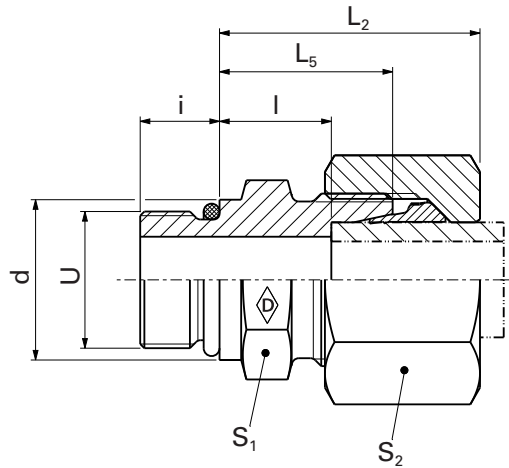
						System nuts for supplementing the stud (for technical data, see part D of this catalog)				
						Stud GES ...	Stud Stainless steel GES ... -1.4571*	Walring W-R ... VI	Walform WF-M ... VI	Walform stainless steel WF-M ... VI-1.4571*
Series	PN bar (psi)	Tube outer diameter	Model	M	kg/ 100 pc.	Art. no.	Art. no.	Art. no.	Art. no.	Art. no.
L	500 (7252)	6	GES 6 LM-WD	M 10 x 1	0.5	WAL037638	WAL602785	WAL624607	WAL625940	WAL625980
		8	GES 8 LM-WD	M 12 x 1.5	2	WAL037639	WAL612439	WAL624608	WAL625941	WAL625981
		10	GES 10 LM-WD	M 14 x 1.5	3	WAL037640	WAL610672	WAL624609	WAL625942	WAL625982
		10	GES 10 L/M 18 x 1.5-WD	M 18 x 1.5		WAL606459	WAL623068	WAL624609	WAL625942	WAL625982
		10	GES 10 L/M 22 x 1.5-WD	M 22 x 1.5	7.5	WAL604706	WAL623070	WAL624609	WAL625942	WAL625982
	400 (5801)	12	GES 12 LM-WD	M 16 x 1.5	4	WAL037641	WAL602808	WAL624610	WAL625943	WAL625983
		12	GES 12 L/M 18 x 1.5-WD	M 18 x 1.5	4.5	WAL024966	WAL613182	WAL624610	WAL625943	WAL625983
		12	GES 12 L/M 22 x 1.5-WD	M 22 x 1.5	7	WAL604514	WAL613122	WAL624610	WAL625943	WAL625983
		15	GES 15 LM-WD	M 18 x 1.5	5	WAL037642	WAL606270	WAL624611	WAL625944	WAL625984
		15	GES 15 L/M 22 x 1.5-WD	M 22 x 1.5	7	WAL604266	WAL613123	WAL624611	WAL625944	WAL625984
250 (3626)	18	GES 18 LM-WD	M 22 x 1.5	7.5	WAL037643	WAL605670	WAL624612	WAL625945	WAL625985	
	18	GES 18 L/M 18 x 1.5-WD	M 18 x 1.5	9.3	WAL606294	WAL618838	WAL624612	WAL625945	WAL625985	
	22	GES 22 LM-WD	M 26 x 1.5	20	WAL037644	WAL612877	WAL624613	WAL625946	WAL625986	
	28	GES 28 LM-WD	M 33 x 2	16.5	WAL037645	WAL605323	WAL624614	WAL625947	WAL625987	
	35	GES 35 LM-WD	M 42 x 2	27.5	WAL037646	WAL605328	WAL624615	WAL625948	WAL625988	
S	800 (11603)	42	GES 42 LM-WD	M 48 x 2	35	WAL037647	WAL617437	WAL624616	WAL625949	WAL625989
		6	GES 6 SM-WD	M 12 x 1.5	3	WAL037648	WAL605312	WAL624617	WAL625950	WAL625990
		8	GES 8 SM-WD	M 14 x 1.5	4	WAL037649	WAL605316	WAL624618	WAL625951	WAL625991
		10	GES 10 SM-WD	M 16 x 1.5	5.5	WAL037650	WAL606269	WAL624619	WAL625952	WAL625992
	630 (9137)	12	GES 12 SM-WD	M 18 x 1.5	7	WAL037651	WAL605268	WAL624620	WAL625953	WAL625993
		14	GES 14 SM-WD	M 20 x 1.5	9.5	WAL037652	WAL613184			
		16	GES 16 SM-WD	M 22 x 1.5	9.5	WAL037653	WAL605274	WAL624621	WAL625954	WAL625994
	420 (6091)	20	GES 20 SM-WD	M 27 x 2	15.5	WAL037654	WAL605517	WAL624622	WAL625955	WAL625995
		25	GES 25 SM-WD	M 33 x 2	26.5	WAL037655	WAL605276	WAL624623	WAL625956	WAL625996
		30	GES 30 SM-WD	M 42 x 2	42.5	WAL037656	WAL617438	WAL624624	WAL625957	WAL625997
		38	GES 38 SM-WD	M 48 x 2	58.5	WAL037657	WAL617439	WAL624625	WAL625958	WAL625998

⚠ Caution: The pressure specifications refer to the steel version. For the stainless steel version (1.4571), please refer to the pressure specifications on page B5.

Straight male fittings

P-GEV ... UNF/UN

- with O-ring made from NBR* (e.g. Perbunan)
- Stud to ISO 11926-2 and -3 (UNF/UN) / SAE J 514 (UST)



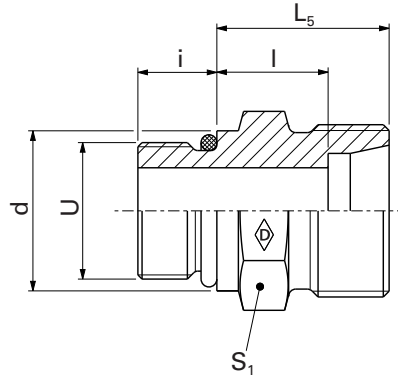
E

Series	PN bar (psi)	Tube outer diameter	Model	kg/100 pc.	L_2	L_5	l	i	d	S_1	S_2	*O-ring	Art. no.	Walpro P-GEV ...
L	400 (5801)	6	P-GEV 6 L/ 9/16-18 UNF	3.7	25	17	10	10	17.6	19	14	11.9 x 1.98	WAL373157	
		8	P-GEV 8 L/ 7/16-20 UNF	3.2	25	17	10	9	14.4	17	17	8.92 x 1.83	WAL373158	
		8	P-GEV 8 L/ 9/16-18 UNF	3.7	25	17	10	10	17.6	19	17	11.9 x 1.98	WAL373159	
		10	P-GEV 10 L/ 7/16-20 UNF	4.0	26	18	11	9	14.4	17	19	8.92 x 1.83	WAL373160	
		10	P-GEV 10 L/ 9/16-18 UNF	4.6	26	18	11	10	17.6	19	19	11.9 x 1.98	WAL373161	
		10	P-GEV 10 L/ 3/4-16 UNF	7.6	28	20	13	11	22.3	24	19	16.36 x 2.20	WAL373162	
		12	P-GEV 12 L/ 9/16-18 UNF	6.1	26	18	11	10	17.6	19	22	11.9 x 1.98	WAL373164	
		12	P-GEV 12 L/ 3/4-16 UNF	7.6	28	20	13	11	22.3	24	22	16.36 x 2.20	WAL373165	
		12	P-GEV 12 L/ 7/8-14 UNF	8.8	29	21	14	12.7	25.5	27	22	19.18 x 2.46	WAL373166	
	250 (3626)	15	P-GEV 15 L/ 3/4-16 UNF	9.5	29	21	14	11	22.3	24	27	16.36 x 2.20	WAL373168	
		15	P-GEV 15 L/ 7/8-14 UNF	11.0	30	22	15	12.7	25.5	27	27	19.18 x 2.46	WAL373169	
		18	P-GEV 18 L/ 3/4-16 UNF	12.5	31	22	14.5	11	22.3	27	32	16.36 x 2.20	WAL373170	
		18	P-GEV 18 L/ 7/8-14 UNF	13.2	31	22	14.5	12.7	25.5	27	32	19.18 x 2.46	WAL373171	
		22	P-GEV 22 L/ 7/8-14 UNF	17.2	33	24	16.5	12.7	25.5	32	36	19.18 x 2.46	WAL373172	
		22	P-GEV 22 L/ 1 1/16-12 UN	18.5	33	24	16.5	15	31.9	32	36	23.47 x 2.95	WAL373173	
		28	P-GEV 28 L/ 7/8-14 UNF	22.0	34	25	17.5	12.7	25.5	41	41	19.18 x 2.46	WAL373174	
		28	P-GEV 28 L/ 1 5/16-12 UN	25.0	34	25	17.5	15	38.2	41	41	29.74 x 2.95	WAL373175	
		35	P-GEV 35 L/ 1 5/8-12 UN	40.0	39	28	17.5	15	47.7	50	50	37.46 x 3	WAL373177	
S	630 (9137)	42	P-GEV 42 L/ 1 5/8-12 UN	46.2	42	30	19	15	47.7	55	55	37.46 x 3	WAL374346	
		12	P-GEV 12 S/ 3/4-16 UNF	10.0	34	25	17.5	11	22.3	24	24	16.36 x 2.20	WAL373180	
		16	P-GEV 16 S/ 3/4-16 UNF	13.0	34	24	15.5	11	22.3	24	30	16.36 x 2.20	WAL373182	
	400 (5801)	16	P-GEV 16 S/ 7/8-14 UNF	15.0	37	27	18.5	12.7	25.5	27	30	19.18 x 2.46	WAL373183	
		20	P-GEV 20 S/ 3/4-16 UNF	22.0	42	31	20.5	11	22.3	32	36	16.36 x 2.20	WAL373184	
		20	P-GEV 20 S/ 7/8-14 UNF	23.0	42	31	20.5	12.7	25.5	32	36	19.18 x 2.46	WAL373185	
315 (4569)	20	P-GEV 20 S/ 1 1/16-12 UN	25.0	42	31	20.5	15	31.9	32	36	23.47 x 2.95	WAL373186		
	25	P-GEV 25 S/ 1 5/16-12 UN	46.0	47	35	23	15	38.2	41	46	29.74 x 2.95	WAL373189		
		30	P-GEV 30 S/ 1 5/8-12 UN	62.0	50	37	23.5	15	47.7	50	50	37.46 x 3	WAL373191	

L_2 = approximate dimension if the union nut is tightened

*For FPM (e.g. Viton) see price list / available on request

GES ... UNF/UN



E

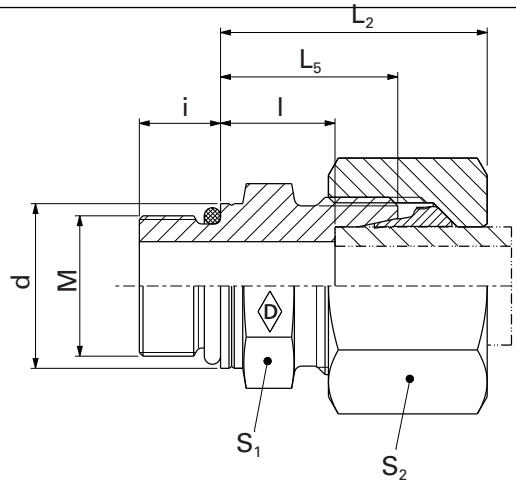
Series	PN bar (psi)	Tube outer diameter	Model	kg/100 pc.	Stud GES ...	System nuts for supplementing the stud (for technical data, see part D of this catalog)			
						Walring W-R ... VI	Walform WF-M ... VI		
					Art. no.	Art. no.	Art. no.		
L	400 (5801)	6	GES 6 L/ 9/16-18 UNF	2.8	WAL065356	WAL624607	WAL625940		
		8	GES 8 L/ 7/16-20 UNF	2.0	WAL065358	WAL624608	WAL625941		
		8	GES 8 L/ 9/16-18 UNF	2.0	WAL065359	WAL624608	WAL625941		
		10	GES 10 L/ 7/16-20 UNF	2.0	WAL065361	WAL624609	WAL625942		
		10	GES 10 L/ 9/16-18 UNF	2.8	WAL065362	WAL624609	WAL625942		
		10	GES 10 L/ 3/4-16 UNF	5.5	WAL065363	WAL624609	WAL625942		
		12	GES 12 L/ 9/16-18 UNF	3.3	WAL065365	WAL624610	WAL625943		
		12	GES 12 L/ 3/4-16 UNF	4.8	WAL065366	WAL624610	WAL625943		
		12	GES 12 L/ 7/8-14 UNF	5.9	WAL065367	WAL624610	WAL625943		
		15	GES 15 L/ 3/4-16 UNF	5.4	WAL065369	WAL624611	WAL625944		
		15	GES 15 L/ 7/8-14 UNF	9.8	WAL065370	WAL624611	WAL625944		
		18	GES 18 L/ 3/4-16 UNF	6.5	WAL065371	WAL624612	WAL625945		
		18	GES 18 L/ 7/8-14 UNF	7.0	WAL065372	WAL624612	WAL625945		
		22	GES 22 L/ 7/8-14 UNF	9.0	WAL065374	WAL624613	WAL625946		
		22	GES 22 L/ 1 1/16-12 UN	16.5	WAL065377	WAL624613	WAL625946		
		S	250 (3626)	28	GES 28 L/ 7/8-14 UNF	20.6	WAL065378	WAL624614	WAL625947
				28	GES 28 L/ 1 5/16-12 UN	15.5	WAL065382	WAL624614	WAL625947
				35	GES 35 L/ 1 5/8-12 UN	26.5	WAL065384	WAL624615	WAL625948
42	GES 42 L/ 1 5/8-12 UN			30.6	WAL065386	WAL624616	WAL625949		
12	GES 12 S/ 3/4-16 UNF			7.6	WAL065389	WAL624620	WAL625953		
16	GES 16 S/ 3/4-16 UNF			6.5	WAL065391	WAL624621	WAL625954		
S	630 (9137)	16	GES 16 S/ 7/8-14 UNF	9.5	WAL065392	WAL624621	WAL625954		
		20	GES 20 S/ 3/4-16 UNF	13.1	WAL065393	WAL624622	WAL625955		
		20	GES 20 S/ 7/8-14 UNF	14.1	WAL065394	WAL624622	WAL625955		
	400 (5801)	20	GES 20 S/ 1 1/16-12UN	15	WAL065395	WAL624622	WAL625955		
		25	GES 25 S/ 1 5/16-12 UN	26	WAL065400	WAL624623	WAL625956		
	315 (4569)	30	GES 30 S/ 1 5/8-12 UN	39.4	WAL065402	WAL624624	WAL625957		

Special parts are available on request.

Straight male fittings

P-GEV ... M - OR (ISO 6149)

- with O-ring made from NBR* (e.g. Perbunan)
- Straight metric stud with O-ring to DIN EN ISO 6149-2 and -3



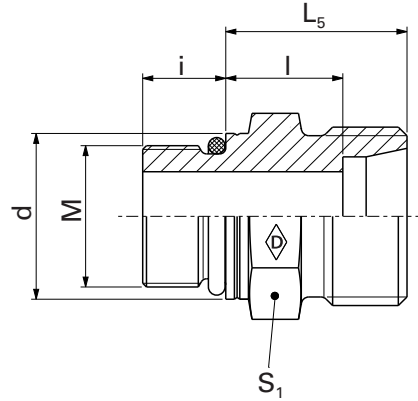
E

Series	PN bar (psi)	Tube outer diameter	Model	kg/100 pc.	M	L_2	L_5	l	i	d	S_1	S_2	*O-ring	Art. no.	
L	400 (5801)	6	P-GEV 6 LM-OR	2.7	M10 x 1.5	24	16.5	9.5	8.5	13.8	14	14	8.1 x 1.6	WAL625528	
		8	P-GEV 8 LM-OR	4.0	M12 x 1.5	25	17	10	11	16.8	17	17	9.3 x 2.2	WAL625529	
		10	P-GEV 10 LM-OR	5.2	M14 x 1.5	26	18	11	11	18.8	19	19	11.3 x 2.2	WAL625530	
		12	P-GEV 12 LM-OR	6.9	M16 x 1.5	27	19.5	12.5	11.5	21.8	22	22	13.3 x 2.2	WAL625531	
	315 (4569)	15	P-GEV 15 LM-OR	10.2	M18 x 1.5	29	20.5	13.5	12.5	23.8	24	27	15.3 x 2.2	WAL625532	
		18	P-GEV 18 LM-OR	14.7	M22 x 1.5	30	22	14.5	13	26.8	27	32	17.3 x 2.2	WAL625533	
		22	P-GEV 22 LM-OR	19.3	M27 x 2	33	24	16.5	16	31.8	32	36	19.3 x 2.2	WAL625534	
		28	P-GEV 28 LM-OR	26.8	M33 x 2	34	25	17.5	16	40.8	41	41	23.6 x 2.9	WAL625535	
	200 (2900)	35	P-GEV 35 LM-OR	43.1	M42 x 2	39	28	17.5	16	49.8	50	50	38.6 x 2.9	WAL625536	
		42	P-GEV 42 LM-OR	57.8	M48 x 2	42	30	19	17.5	54.8	55	60	44.6 x 2.9	WAL625537	
	S	630 (9137)	6	P-GEV 6 SM-OR	4.6	M12 x 1.5	28	20	13	11	16.8	17	17	9.3 x 2.2	WAL625538
			8	P-GEV 8 SM-OR	6.1	M14 x 1.5	30	22	15	11	18.8	19	19	11.3 x 2.2	WAL625539
10			P-GEV 10 SM-OR	8.9	M16 x 1.5	31	22.5	15	12.5	21.8	22	22	13.3 x 2.2	WAL625540	
12			P-GEV 12 SM-OR	11.3	M18 x 1.5	33	24.5	17	14	23.8	24	24	15.3 x 2.2	WAL625541	
400 (5801)		16	P-GEV 16 SM-OR	16.9	M22 x 1.5	37	27	18.5	15	26.8	27	30	17.3 x 2.2	WAL625542	
		20	P-GEV 20 SM-OR	27.5	M27 x 2	42	31	20.5	18.5	31.8	32	36	19.3 x 2.2	WAL625543	
250 (3626)		25	P-GEV 25 SM-OR	48.4	M33 x 2	47	35	23	18.5	40.8	41	46	23.6 x 2.9	WAL625544	
		30	P-GEV 30 SM-OR	64.8	M42 x 2	50	37	23.5	19	49.8	50	50	38.6 x 2.9	WAL625545	
		38	P-GEV 38 SM-OR	91.5	M48 x 2	56.5	41.5	26	21.5	54.8	55	60	44.6 x 2.9	WAL625546	

L_2 = approximate dimension if the union nut is tightened

*For FPM (e.g. Viton) see price list / available on request

GES ... M-OR (ISO 6149)



E

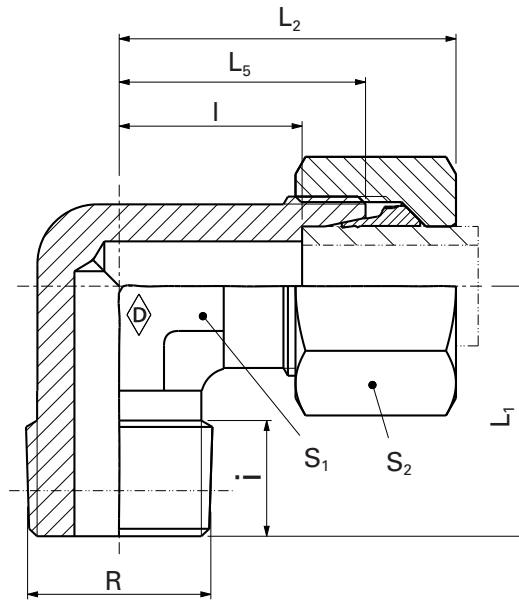
Series	PN bar (psi)	Tube outer diameter	Model	kg/100 pc.	M	Stud GES ...	System nuts for supplementing the stud (for technical data, see part D of this catalog)	
							Walring W-R ... VI	Walform WF-M ... VI
						Art. no.	Art. no.	Art. no.
L	400 (5801)	6	GES 6 LM-OR	1.6	M10 x 1.5	WAL625509	WAL624607	WAL625940
		8	GES 8 LM-OR	2.3	M12 x 1.5	WAL625510	WAL624608	WAL625941
		10	GES 10 LM-OR	2.8	M14 x 1.5	WAL625511	WAL624609	WAL625942
	315 (4569)	12	GES 12 LM-OR	4.0	M16 x 1.5	WAL625512	WAL624610	WAL625943
		15	GES 15 LM-OR	5.6	M18 x 1.5	WAL625513	WAL624611	WAL625944
		18	GES 18 LM-OR	8.0	M22 x 1.5	WAL625514	WAL624612	WAL625945
		22	GES 22 LM-OR	10.4	M27 x 2	WAL625515	WAL624613	WAL625946
	200 (2900)	28	GES 28 LM-OR	17.1	M33 x 2	WAL625516	WAL624614	WAL625947
		35	GES 35 LM-OR	27.8	M42 x 2	WAL625517	WAL624615	WAL625948
		42	GES 42 LM-OR	34.0	M48 x 2	WAL625518	WAL624616	WAL625949
S	630 (9137)	6	GES 6 SM-OR	2.9	M12 x 1.5	WAL625519	WAL624617	WAL625950
		8	GES 8 SM-OR	4.1	M14 x 1.5	WAL625520	WAL624618	WAL625951
		10	GES 10 SM-OR	5.5	M16 x 1.5	WAL625521	WAL624619	WAL625952
		12	GES 12 SM-OR	7.3	M18 x 1.5	WAL625522	WAL624620	WAL625953
	400 (5801)	16	GES 16 SM-OR	10.2	M22 x 1.5	WAL625523	WAL624621	WAL625954
		20	GES 20 SM-OR	16.9	M27 x 2	WAL625524	WAL624622	WAL625955
	250 (3626)	25	GES 25 SM-OR	27.4	M33 x 2	WAL625525	WAL624623	WAL625956
		30	GES 30 SM-OR	41.2	M42 x 2	WAL625526	WAL624624	WAL625957
		38	GES 38 SM-OR	58.0	M48 x 2	WAL625527	WAL624625	WAL625958

Special parts are available on request.

P-WEV ... RK

P-WEV ... RK-1.4571

- Tapered studs type C to DIN 3852-2 with Whitworth thread



E

Series	PN bar (psi)	Tube outer diameter	Model	kg/100 pc.	R	L ₁	L ₂	L ₅	I	i	S ₁	S ₂	Walpro P-WEV ...	Walpro stainless steel P-WEV ...-1.4571*
LL	100 (1450)	4	S-WEV 4 LLRK	2.1	R 1/8 taper	17	21	15	11	8	11	10	WAL038408	WAL616401
		6	S-WEV 6 LLRK	2.4	R 1/8 taper	17	21	15	9.5	8	11	12	WAL038410	WAL061404
		8	S-WEV 8 LLRK	3.4	R 1/8 taper	20	23	17	11.5	8	12	14	WAL038411	WAL065330
L	250 (3626)	6	P-WEV 6 LRK	4.0	R 1/8 taper	20	27	19	12	8	12	14	WAL373195	WAL620034
		6	P-WEV 6 L/R 1/4 K	6.0	R 1/4 taper	26	29	21	14	12	14	14	WAL373196	WAL620169
		8	P-WEV 8 LRK	6.6	R 1/4 taper	26	29	21	14	12	14	17	WAL373197	WAL620035
		10	P-WEV 10 LRK	8.3	R 1/4 taper	27	30	22	15	12	17	19	WAL373198	WAL620036
		10	P-WEV 10 L/R 3/8 K	9.0	R 3/8 taper	27	30	22	15	12	17	19	WAL373199	WAL620347
		12	P-WEV 12 L/R 1/4 K	11.4	R 1/4 taper	28	32	24	17	12	19	22	WAL373200	WAL620170
		12	P-WEV 12 LRK	11.8	R 3/8 taper	28	32	24	17	12	19	22	WAL373201	WAL620037
		15	P-WEV 15 LRK	13.0	R 1/2 taper	34	36	28	21	14	19	27	WAL373202	WAL620038
		160 (2321)	18	P-WEV 18 LRK	16.6	R 1/2 taper	36	40	31	23.5	14	24	32	WAL373203
S	630** (9137)	6	P-WEV 6 SRK	7.2	R 1/4 taper	26	31	23	16	12	14	17	WAL373204	WAL620040
		8	P-WEV 8 SRK	8.8	R 1/4 taper	27	32	24	17	12	17	19	WAL373205	WAL620041
		10	P-WEV 10 SRK	13.4	R 3/8 taper	28	34	25	17.5	12	19	22	WAL373206	WAL620042
		12	P-WEV 12 SRK	16.5	R 3/8 taper	28	38	29	21.5	12	22	24	WAL373207	WAL620043
		14	P-WEV 14 SRK	15.3	R 1/2 taper	32	40	30	22	14	19	27	WAL373208	WAL621648
400 (5801)	16	P-WEV 16 SRK	17.9	R 1/2 taper	32	43	33	24.5	14	24	30	WAL373209	WAL620044	

⚠ Caution: The pressure specifications refer to the steel version. For the stainless steel version (1.4571), please refer to the pressure specifications on page B5.

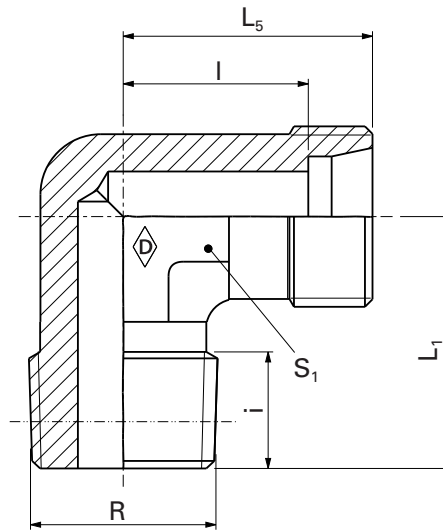
*Complete stainless steel fittings (1.4571) with silver-plated nut (AG/AGP), see price list

L₂ = approximate dimension if the union nut is tightened

**The nominal pressure of 630 bar only applies to tapered ports; otherwise, the nominal pressure is 400 bar

WES ... RK

WES ... RK-1.4571



E

System nuts for supplementing the stud
(for technical data, see part D of this catalog)

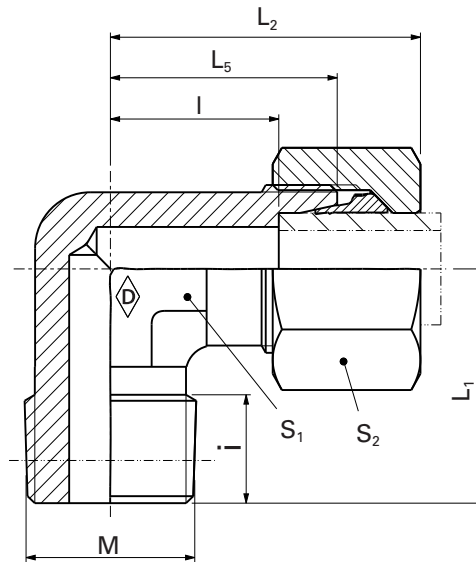
Series	PN bar (psi)	Tube outer diameter	Model	kg/100 pc.	R	Art. no.	Art. no.	System nuts for supplementing the stud (for technical data, see part D of this catalog)			
								Stud WES ...	Walring W-R ... VI	Walform WF-M ... VI	Walform stainless steel WF-M ... VI-1.4571*
LL	100 (1450)	4	WES 4 LLRK	1.7	R 1/8 taper	WAL037695	WAL617440				
		6	WES 6 LLRK	1.6	R 1/8 taper	WAL037697	WAL061405				
		8	WES 8 LLRK	2.2	R 1/8 taper	WAL037698	WAL065331				
L	250 (3626)	6	WES 6 LRK	2.8	R 1/8 taper	WAL037699	WAL025517	WAL624607	WAL625940	WAL625980	
		6	WES 6 L/R 1/4 K	5.0	R 1/4 taper	WAL037700	WAL065333	WAL624607	WAL625940	WAL625980	
		8	WES 8 LRK	4.6	R 1/4 taper	WAL037701	WAL025518	WAL624608	WAL625941	WAL625981	
		10	WES 10 LRK	8.9	R 1/4 taper	WAL037702	WAL025519	WAL624609	WAL625942	WAL625982	
		10	WES 10 L/R 3/8 K	6.8	R 3/8 taper	WAL037703	WAL024259	WAL624609	WAL625942	WAL625982	
		12	WES 12 L/R 1/4 K	8.4	R 1/4 taper	WAL037704	WAL065335	WAL624610	WAL625943	WAL625983	
		12	WES 12 LRK	8.9	R 3/8 taper	WAL037705	WAL025520	WAL624610	WAL625943	WAL625983	
		15	WES 15 LRK	8.9	R 1/2 taper	WAL037706	WAL025521	WAL624611	WAL625944	WAL625984	
S	630 ** (9137)	160 (2321)	18	WES 18 LRK	12.0	R 1/2 taper	WAL037707	WAL025522	WAL624612	WAL625945	WAL625985
		400 (5801)	6	WES 6 SRK	5.4	R 1/4 taper	WAL037708	WAL025523	WAL624617	WAL625950	WAL625990
			8	WES 8 SRK	7.7	R 1/4 taper	WAL037709	WAL025524	WAL624618	WAL625951	WAL625991
			10	WES 10 SRK	10.1	R 3/8 taper	WAL037710	WAL025525	WAL624619	WAL625952	WAL625992
			12	WES 12 SRK	12.7	R 3/8 taper	WAL037711	WAL025526	WAL624620	WAL625953	WAL625993
			14	WES 14 SRK	10.6	R 1/2 taper	WAL037712	WAL025527			
			16	WES 16 SRK	13.6	R 1/2 taper	WAL037713	WAL025528	WAL624621	WAL625954	WAL625994

⚠ Caution: The pressure specifications refer to the steel version. For the stainless steel version (1.4571), please refer to the pressure specifications on page B5.

P-WEV ... MK

P-WEV ... MK-1.4571

- Tapered studs type C to DIN 3852-1 with metric thread



E

Series	PN bar (psi)	Tube outer diameter	Model	M	kg/100 pc.	L ₁	L ₂	L ₅	L	i	S ₁	S ₂	Walpro P-WEV ...	Walpro stainless steel P-WEV ...-1.4571*
LL	100 (1450)	4	S-WEV 4 LLMK	M 8 x 1 taper	2.1	17	21	15	11	8	11	10	WAL038427	WAL616402
		6	S-WEV 6 LLMK	M 10 x 1 taper	2.4	17	21	15	9.5	8	11	12	WAL038429	WAL609041
		8	S-WEV 8 LLMK	M 10 x 1 taper	3.4	20	23	17	11.5	8	12	14	WAL038430	WAL616403
L	250 (3626)	6	P-WEV 6 LMK	M 10 x 1 taper	4.0	20	27	19	12	8	12	14	WAL373213	WAL620050
		8	P-WEV 8 LMK	M 12 x 1.5 taper	6.6	26	29	21	14	12	14	17	WAL373214	WAL620610
		10	P-WEV 10 LMK	M 14 x 1.5 taper	8.3	27	30	22	15	12	17	19	WAL373215	WAL620999
		12	P-WEV 12 LMK	M 16 x 1.5 taper	11.8	28	32	24	17	12	19	22	WAL373216	WAL620051
		15	P-WEV 15 LMK	M 18 x 1.5 taper	12.0	32	36	28	21	12	19	17	WAL373217	WAL620052
	160 (2321)	18	P-WEV 18 LMK	M 22 x 1.5 taper	16.6	36	40	31	23.5	14	24	32	WAL373218	WAL620053
S	630** (9137)	6	P-WEV 6 SMK	M 12 x 1.5 taper	7.2	26	31	23	16	12	14	17	WAL373219	WAL621000
		8	P-WEV 8 SMK	M 14 x 1.5 taper	8.8	27	32	24	17	12	17	19	WAL373220	WAL620665
		10	P-WEV 10 SMK	M 16 x 1.5 taper	13.4	28	34	25	17.5	12	19	22	WAL373221	WAL620666
		12	P-WEV 12 SMK	M 18 x 1.5 taper	16.5	28	38	29	21.5	12	22	24	WAL373222	WAL620667
		14	P-WEV 14 SMK	M 20 x 1.5 taper	15.3	32	40	30	22	14	19	27	WAL373223	WAL621647
	400 (5801)	16	P-WEV 16 SMK	M 22 x 1.5 taper	17.9	32	43	33	24.5	14	24	30	WAL373224	WAL621001

⚠ Caution: The pressure specifications refer to the steel version. For the stainless steel version (1.4571), please refer to the pressure specifications on page B5.

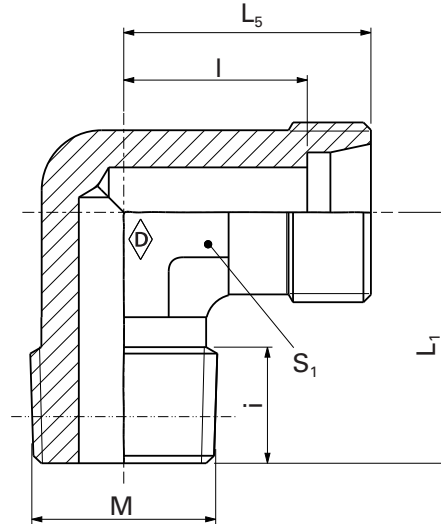
*Complete stainless steel fittings (1.4571) with silver-plated nut (AG/AGP), see price list

L₂ = approximate dimension if the union nut is tightened

**The nominal pressure of 630 bar only applies to tapered ports; otherwise, the nominal pressure is 400 bar

WES ... MK

WES ... MK-1.4571



E

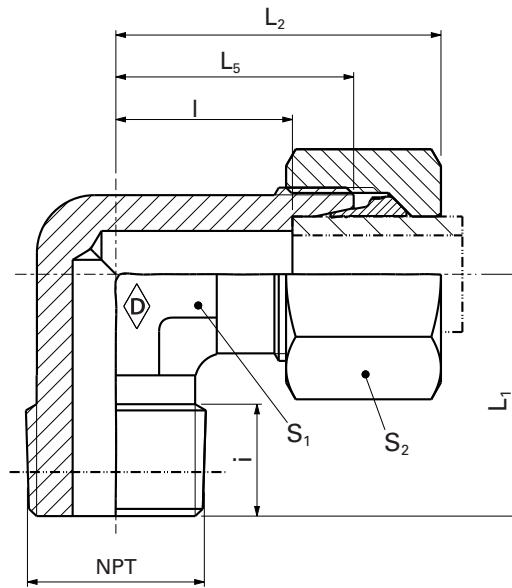
						System nuts for supplementing the stud (for technical data, see part D of this catalog)				
						Stud WES ...	Stud Stainless steel WES ... -1.4571*	Walring W-R ... VI	Walform WF-M ... VI	Walform stainless steel WF-M ... VI-1.4571*
Series	PN bar (psi)	Tube outer diameter	Model	M	kg/ 100 pc.	Art. no.	Art. no.	Art. no.	Art. no.	Art. no.
LL	100 (1450)	4	WES 4 LLMK	M 8 x 1 taper	1.5	WAL037714	WAL067181			
		6	WES 6 LLMK	M 10 x 1 taper	1.6	WAL037716	WAL606649			
		8	WES 8 LLMK	M 10 x 1 taper	2.3	WAL037717	WAL617441			
L	250 (3626)	6	WES 6 LMK	M 10 x 1 taper	2.9	WAL037718	WAL025537	WAL624607	WAL625940	WAL625980
		8	WES 8 LMK	M 12 x 1.5 taper	4.4	WAL037719	WAL025538	WAL624608	WAL625941	WAL625981
		10	WES 10 LMK	M 14 x 1.5 taper	6.1	WAL037720	WAL025539	WAL624609	WAL625942	WAL625982
		12	WES 12 LMK	M 16 x 1.5 taper	8.7	WAL037721	WAL025540	WAL624610	WAL625943	WAL625983
		15	WES 15 LMK	M 18 x 1.5 taper	8.1	WAL037722	WAL025541	WAL624611	WAL625944	WAL625984
	160 (2321)	18	WES 18 LMK	M 22 x 1.5 taper	12.2	WAL037723	WAL025542	WAL624612	WAL625945	WAL625985
S	630** (9137)	6	WES 6 SMK	M 12 x 1.5 taper	5.3	WAL037724	WAL025543	WAL624617	WAL625950	WAL625990
		8	WES 8 SMK	M 14 x 1.5 taper	7.8	WAL037725	WAL025544	WAL624618	WAL625951	WAL625991
		10	WES 10 SMK	M 16 x 1.5 taper	10.3	WAL037726	WAL025545	WAL624619	WAL625952	WAL625992
		12	WES 12 SMK	M 18 x 1.5 taper	12.9	WAL037727	WAL025546	WAL624620	WAL625953	WAL625993
		14	WES 14 SMK	M 20 x 1.5 taper	10.3	WAL037728	WAL025547			
		400 (5801)	16	WES 16 SMK	M 22 x 1.5 taper	11.4	WAL037729	WAL025548	WAL624621	WAL625954

⚠ Caution: The pressure specifications refer to the steel version. For the stainless steel version (1.4571), please refer to the pressure specifications on page B5.

P-WEV ... NPT

P-WEV ... NPT-1.4571

- Stud with NPT thread to ANSI/ASME B1.20.1-1983



E

Series	PN bar (psi)	Tube outer diameter	Model	NPT	kg/100 pc.	L ₁	L ₂	L ₅	I	i	S ₁	S ₂	Walpro P-WEV ... Art. no.	Walpro stainless steel P-WEV ...-1.4571* Art. no.
LL	100 (1450)	4	S-WEV 4LL/ 1/8 NPT	1/8 NPT	2.0	17	21	15	11	10	10	10	WAL038383	WAL616408
		6	S-WEV 6 LL/ 1/8 NPT	1/8 NPT	2.3	17	21	15	9.5	10	10	12	WAL038385	WAL608456
		8	S-WEV 8 LL/ 1/8 NPT	1/8 NPT	3.3	20	23	17	11.5	10	12	14	WAL038386	WAL607142
L	250 (3626)	6	P-WEV 6 L/ 1/8 NPT	1/8 NPT	4.0	20	27	19	12	10	12	14	WAL373228	WAL620499
		8	P-WEV 8 L/ 1/4 NPT	1/4 NPT	6.3	26	29	21	14	15	14	17	WAL373229	WAL620187
	10	P-WEV 10 L/ 1/4 NPT	1/4 NPT	8.2	27	30	22	15	15	17	19	WAL373230	WAL620188	
	12	P-WEV 12 L/ 1/4 NPT	1/4 NPT	11.4	28	32	24	17	15	19	22	WAL373231	WAL620215	
	12	P-WEV 12 L/ 3/8 NPT	3/8 NPT	11.6	28	32	24	17	15	19	22	WAL373232	WAL620257	
	15	P-WEV 15 L/ 1/2 NPT	1/2 NPT	14.0	34	36	28	21	14	19	27	WAL373233	WAL620258	
S	160 (2321)	18	P-WEV 18 L/ 1/2 NPT	1/2 NPT	16.5	36	40	31	23.5	20	24	32	WAL373234	WAL620134
		22	P-WEV 22 L/ 3/4 NPT	3/8 NPT	23.5	42	44	35	27.5	20	27	36	WAL373235	WAL621002
	100 (1450)	28	P-WEV 28 L/1 NPT	1 NPT	37.5	48	47	38	30.5	23	36	41	WAL373236	WAL621003
	630 (9137)	6	P-WEV 6 S/ 1/4 NPT	1/4 NPT	6.9	26	31	23	16	15	14	17	WAL373239	WAL620484
		8	P-WEV 8 S/ 1/4 NPT	1/4 NPT	9.5	27	32	24	17	15	17	19	WAL373240	WAL620501
10		P-WEV 10 S/ 3/8 NPT	3/8 NPT	13.3	28	34	25	17.5	15	19	22	WAL373241	WAL620750	
400 (5801)	12	P-WEV 12 S/ 3/8 NPT	3/8 NPT	16.8	28	38	29	21.5	15	22	24	WAL373242	WAL620366	
	14	P-WEV 14 S/ 1/2 NPT	1/2 NPT	16.6	33	40	30	22	15	19	27	WAL373243	WAL621646	
	16	P-WEV 16 S/ 1/2 NPT	1/2 NPT	18.4	33	43	33	24.5	17	24	30	WAL373244	WAL620663	
	20	P-WEV 20 S/ 3/4 NPT	3/4 NPT	30.0	42	48	37	26.5	20	27	36	WAL373245	WAL620216	
		25	P-WEV 25 S/1 NPT	1 NPT	56.5	48	54	42	30	23	36	46	WAL373246	WAL621004

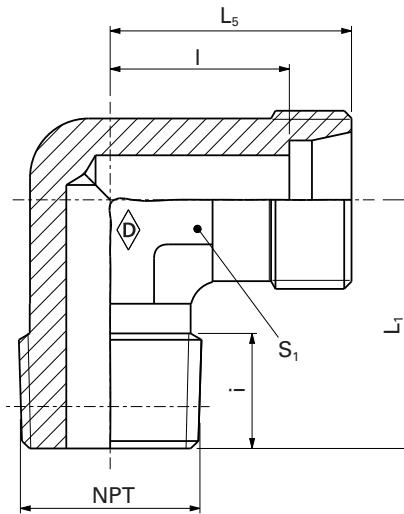
⚠ Caution: The pressure specifications refer to the steel version. For the stainless steel version (1.4571), please refer to the pressure specifications on page B5.

*Complete stainless steel fittings (1.4571) with silver-plated nut (AG/AGP), see price list

L₂= approximate dimension if the union nut is tightened

WES ... NPT

WES ... NPT-1.4571



E

Series	PN bar (psi)	Tube outer diameter	Model	NPT	kg/100 pc.	Stud WES ... Art. no.	Stud Stainless steel WES ... -1.4571* Art. no.	System nuts for supplementing the stud (for technical data, see part D of this catalog)		
								Walring W-R ... VI Art. no.	Walform WF-M ... VI Art. no.	Walform stainless steel WF-M ... VI-1.4571* Art. no.
LL	100 (1450)	4	WES 4LL/ 1/8 NPT	1/8 NPT	1.4	WAL037670	WAL617442			
		6	WES 6 LL/ 1/8 NPT	1/8 NPT	1.7	WAL037672	WAL024144			
		8	WES 8 LL/ 1/8 NPT	1/8 NPT	2.3	WAL037673	WAL617443			
L	250 (3626)	6	WES 6 L/ 1/8 NPT	1/8 NPT	2.8	WAL037674	WAL604782	WAL624607	WAL625940	WAL625980
		8	WES 8 L/ 1/4 NPT	1/4 NPT	4.5	WAL037675	WAL066342	WAL624608	WAL625941	WAL625981
		10	WES 10 L/ 1/4 NPT	1/4 NPT	6	WAL037676	WAL060075	WAL624609	WAL625942	WAL625982
		12	WES 12 L/ 1/4 NPT	1/4 NPT	8.1	WAL037677	WAL067069	WAL624610	WAL625943	WAL625983
		12	WES 12 L/ 3/8 NPT	3/8 NPT	8.6	WAL037678	WAL067678	WAL624610	WAL625943	WAL625983
	15	WES 15 L/ 1/2 NPT	1/2 NPT	8.8	WAL037679	WAL067682	WAL624611	WAL625944	WAL625984	
	160 (2321)	18	WES 18 L/ 1/2 NPT	1/2 NPT	13.1	WAL037680	WAL027535	WAL624612	WAL625945	WAL625985
	22	WES 22 L/ 3/4 NPT	3/8 NPT	14.9	WAL037681	WAL069030	WAL624613	WAL625946	WAL625986	
	100 (1450)	28	WES 28 L/1 NPT	1 NPT	28.3	WAL037682	WAL604436	WAL624612	WAL625945	WAL625985
	S	630 (9137)	6	WES 6 S/ 1/4 NPT	1/4 NPT	5.3	WAL037685	WAL604307	WAL624617	WAL625950
8			WES 8 S/ 1/4 NPT	1/4 NPT	7.3	WAL037686	WAL604712	WAL624618	WAL625951	WAL625991
10			WES 10 S/ 3/8 NPT	3/8 NPT	9.7	WAL037687	WAL605048	WAL624619	WAL625952	WAL625992
12			WES 12 S/ 3/8 NPT	3/8 NPT	12.1	WAL037688	WAL372649	WAL624620	WAL625953	WAL625993
14		WES 14 S/ 1/2 NPT	1/2 NPT	10.3	WAL037689	WAL067071				
16		WES 16 S/ 1/2 NPT	1/2 NPT	13.8	WAL037690	WAL605049	WAL624621	WAL625954	WAL625994	
400 (5801)		20	WES 20 S/ 3/4 NPT	3/4 NPT	19.7	WAL037691	WAL067073	WAL624622	WAL625955	WAL625995
25		WES 25 S/1 NPT	1 NPT	36	WAL037692	WAL617444	WAL624623	WAL625956	WAL625996	

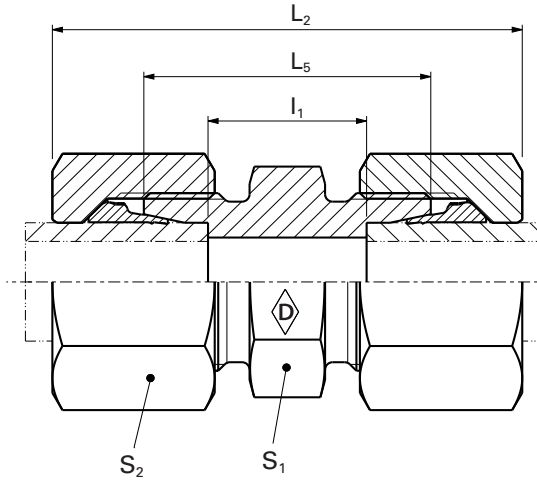
Caution: The pressure specifications refer to the steel version. For the stainless steel version (1.4571), please refer to the pressure specifications on page B5.

Straight fittings

P-GV ...

P-GV ...-1.4571

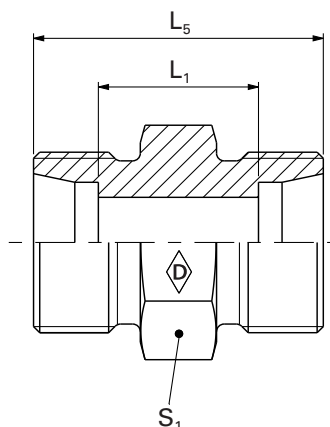
E



Series	PN bar (psi)	Tube outer diameter	Model	kg/100 pc.	L ₂	L ₅	l ₁	S ₁	S ₂	Walpro P-GV ... Art. no.	Walpro stainless steel P-GV ...-1.4571* Art. no.
LL	100 (1450)	4	S-GV 4 LL	1.4	31	20	12	9	10	WAL038557	WAL069960
		6	S-GV 6 LL	2.1	32	20	9	11	12	WAL038559	WAL066887
		8	S-GV 8 LL	2.6	35	23	12	12	14	WAL038560	WAL604827
L	500 (7252)	6	P-GV 6 L	3.5	39	24	10	12	14	WAL373362	WAL620055
		8	P-GV 8 L	4.9	40	25	11	14	17	WAL373363	WAL620056
		10	P-GV 10 L	6.9	42	27	13	17	19	WAL373364	WAL620057
	400 (5801)	12	P-GV 12 L	8.5	43	28	14	19	22	WAL373365	WAL620058
		15	P-GV 15 L	13.8	46	30	16	24	27	WAL373366	WAL620059
		18	P-GV 18 L	19.5	48	31	16	27	32	WAL373367	WAL620060
S	250 (3626)	22	P-GV 22 L	26.2	52	35	20	32	36	WAL373368	WAL620061
		28	P-GV 28 L	31.5	54	36	21	41	41	WAL373369	WAL620062
	800 (11603)	35	P-GV 35 L	49.4	63	41	20	46	50	WAL373370	WAL620063
		42	P-GV 42 L	49.4	66	43	20	46	50	WAL373371	WAL620064
S	630 (9137)	6	P-GV 6 S	5.9	45	30	16	14	17	WAL373372	WAL620065
		8	P-GV 8 S	7.8	47	32	18	17	19	WAL373373	WAL620066
		10	P-GV 10 S	11.0	49	32	17	19	22	WAL373374	WAL620067
	420 (6091)	12	P-GV 12 S	13.6	51	34	19	22	24	WAL373375	WAL620068
		14	P-GV 14 S	18.2	57	38	22	24	27	WAL373376	WAL621531
		16	P-GV 16 S	22.3	57	38	21	27	30	WAL373377	WAL620069
	630 (9137)	20	P-GV 20 S	34.7	66	44	23	32	36	WAL373378	WAL620070
		25	P-GV 25 S	66.9	74	50	26	41	46	WAL373379	WAL620071
420 (6091)	30	P-GV 30 S	80.9	80	54	27	46	50	WAL373380	WAL620072	
	38	P-GV 38 S	119.4	90	61	29	55	60	WAL373381	WAL620073	

⚠ Caution: The pressure specifications refer to the steel version. For the stainless steel version (1.4571), please refer to the pressure specifications on page B5.
 *Complete stainless steel fittings (1.4571) with silver-plated nut (AG/AGP), see price list
 L₂= approximate dimension if the union nut is tightened

Special parts are available on request.

GS ...
GS ... -1.4571

E

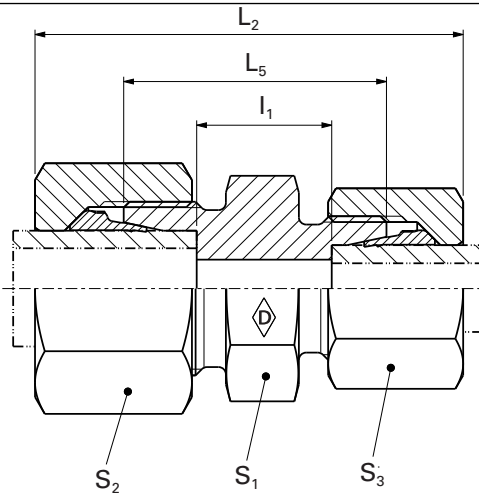
						System nuts for supplementing the stud (for technical data, see part D of this catalog)			
Series	PN bar (psi)	Tube outer diameter	Model	kg/ 100 pc.	Stud GS ...	Stud Stainless steel GS ... -1.4571*	Walring W-R ... VI	Walform WF-M ... VI	Walform stainless steel WF-M ... VI-1.4571*
					Art. no.	Art. no.	Art. no.	Art. no.	Art. no.
LL	100 (1450)	4	GS 4 LL	0.6	WAL037844	WAL069017			
		6	GS 6 LL	0.7	WAL037846	WAL065349			
		8	GS 8 LL	1.1	WAL037847	WAL061565			
L	500 (7252)	6	GS 6 L	1.3	WAL037848	WAL025557	WAL624607	WAL625940	WAL625980
		8	GS 8 L	1.7	WAL037849	WAL025558	WAL624608	WAL625941	WAL625981
		10	GS 10 L	2.5	WAL037850	WAL025559	WAL624609	WAL625942	WAL625982
	400 (5801)	12	GS 12 L	2.8	WAL037851	WAL025560	WAL624610	WAL625943	WAL625983
		15	GS 15 L	4.8	WAL037852	WAL025561	WAL624611	WAL625944	WAL625984
		18	GS 18 L	6.6	WAL028736	WAL025562	WAL624612	WAL625945	WAL625985
		22	GS 22 L	8.9	WAL028737	WAL025563	WAL624613	WAL625946	WAL625986
	250 (3626)	28	GS 28 L	13.5	WAL028738	WAL025564	WAL624614	WAL625947	WAL625987
		35	GS 35 L	21.2	WAL028739	WAL025565	WAL624615	WAL625948	WAL625988
		42	GS 42 L	29.2	WAL028740	WAL025566	WAL624616	WAL625949	WAL625989
S		800 (11603)	6	GS 6 S	2.5	WAL037853	WAL029716	WAL624617	WAL625950
	8		GS 8 S	2.9	WAL037854	WAL025567	WAL624618	WAL625951	WAL625991
	10		GS 10 S	4.3	WAL037855	WAL025568	WAL624619	WAL625952	WAL625992
	630 (9137)	12	GS 12 S	6.0	WAL037856	WAL025569	WAL624620	WAL625953	WAL625993
		14	GS 14 S	7.5	WAL037857	WAL025570			
		16	GS 16 S	8.7	WAL037858	WAL025571	WAL624621	WAL625954	WAL625994
420 (6091)	20	GS 20 S	14.2	WAL037859	WAL025572	WAL624622	WAL625955	WAL625995	
	25	GS 25 S	24.9	WAL037860	WAL025573	WAL624623	WAL625956	WAL625996	
	30	GS 30 S	32.8	WAL037861	WAL025574	WAL624624	WAL625957	WAL625997	
		38	GS 38 S	54.0	WAL037862	WAL025575	WAL624625	WAL625958	WAL625998

⚠ Caution: The pressure specifications refer to the steel version. For the stainless steel version (1.4571), please refer to the pressure specifications on page B5.

Straight reducer fittings

P-GV ... / ...

P-GV ... / ... -1.4571



E

Series	PN bar (psi)	Tube outer diameter 1	Tube outer diameter 2	Model	kg/100 pc.	L_2	L_5	l_1	S_1	S_2	S_3	Walpro	Walpro stainless steel	
												P-GV ... / ...	P-GV ... / ... -1.4571*	
													Art. no.	Art. no.
LL	100 (1450)	6	4	S-GV 6/ 4 LL	1.8	32.5	20	10.5	11	12	10	WAL060065	WAL623072	
		8	4	S-GV 8/ 4 LL	2.1	34	22	12.5	12	14	10	WAL024214	WAL623074	
L	500 (7252)	8	6	P-GV 8/ 6 L	4.4	40	25	11	14	17	14	WAL374530	WAL620872	
		10	6	P-GV 10/ 6 L	5.4	41	26	12	17	19	14	WAL374531	WAL620857	
		10	8	P-GV 10/ 8 L	5.6	41	26	12	17	19	17	WAL602920	WAL620156	
		12	6	P-GV 12/ 6 L	6.4	42	27	13	19	22	14	WAL602654	WAL621005	
		12	8	P-GV 12/ 8 L	7.2	42	27	13	19	22	17	WAL374532	WAL620190	
	12	10	P-GV 12/ 10 L	8.0	43	28	14	19	22	19	WAL374533	WAL620548		
	400 (5801)	15	10	P-GV 15/ 10 L	11.4	44.5	29	15	24	27	19	WAL374534	WAL620841	
	15	12	P-GV 15/ 12 L	11.8	44.5	29	15	24	27	22	WAL374535	WAL620616		
	18	10	P-GV 18/ 10 L	14.1	46	30	15.5	27	32	19	WAL602655	WAL620575		
	18	12	P-GV 18/ 12 L	15.7	46	30	15.5	27	32	22	WAL374536	WAL620574		
S	250 (3626)	18	15	P-GV 18/ 15 L	17.5	47.5	31	16.5	27	32	27	WAL374537	WAL620615	
		22	15	P-GV 22/ 15 L	21.4	49.5	33	18.5	32	36	27	WAL374538	WAL621009	
		22	18	P-GV 22/ 18 L	23.8	50	33	18.21	32	36	32	WAL374762	WAL620833	
	28	22	P-GV 28/ 22 L	32.6	54	36	21	41	41	36	WAL604368	WAL620900		
	630 (9137)	16	12	P-GV 16/ 12 S	22.3	54	36	20	27	30	24	WAL374539	WAL620573	
S	420 (6091)	20	16	P-GV 20/ 16 S	30.0	62.5	42	23	32	36	30	WAL374540	WAL621024	
		25	16	P-GV 25/ 16 S	52.6	68	46	25.5	41	46	30	WAL604471	WAL621025	
		25	20	P-GV 25/ 20 S	55.2	71	48	25.5	41	46	36	WAL374541	WAL621026	

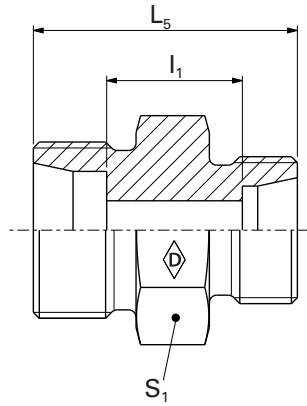
⚠ Caution: The pressure specifications refer to the steel version. For the stainless steel version (1.4571), please refer to the pressure specifications on page B5.

*Complete stainless steel fittings (1.4571) with silver-plated nut (AG/AGP), see price list

L_2 = approximate dimension if the union nut is tightened

GS ... / ...

GS ... / ... -1.4571



E

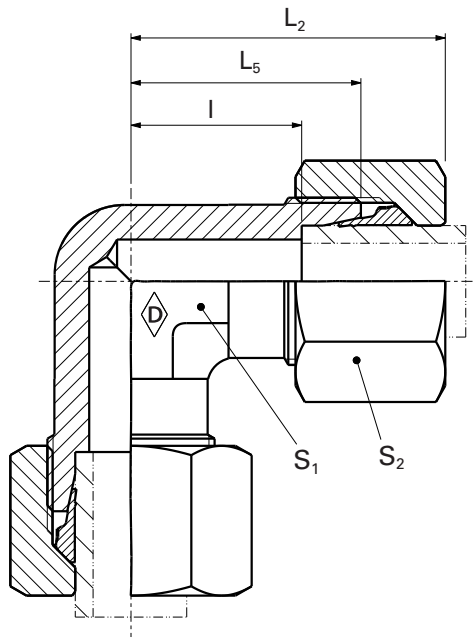
						System nuts for supplementing the stud (for technical data, see part D of this catalog)				
						Stud GS ... / ...	Stud Stainless steel GS ... / ... -1.4571*	Walring W-R ... VI	Walform WF-M ... VI	Walform stainless steel WF-M ... VI-1.4571*
Series	PN bar (psi)	Tube outer diameter 1	Tube outer diameter 2	Model	kg/ 100 pc.	Art. no.	Art. no.	Art. no.	Art. no.	Art. no.
LL	100 (1450)	6	4	GS 6/ 4 LL	0.7	WAL060066	WAL623073			
		8	4	GS 8/ 4 LL	0.8	WAL025120	WAL623075			
	500 (7252)	8	6	GS 8/ 6 L	1.6	WAL029475	WAL061625	WAL624608	WAL625941	WAL625981
		10	6	GS 10/ 6 L	2.0	WAL029476	WAL617445	WAL624609	WAL625942	WAL625982
		10	8	GS 10/ 8 L	2.1	WAL029477	WAL061627	WAL624609	WAL625942	WAL625982
		12	6	GS 12/ 6 L	2.3	WAL063441	WAL066615	WAL624610	WAL625943	WAL625983
L	400 (5801)	12	8	GS 12/ 8 L	2.3	WAL029478	WAL066613	WAL624610	WAL625943	WAL625983
		12	10	GS 12/ 10 L	2.5	WAL029479	WAL605070	WAL624610	WAL625943	WAL625983
	15	10	GS 15/ 10 L	4.4	WAL060223	WAL617448	WAL624611	WAL625944	WAL625984	
	15	12	GS 15/ 12 L	4.2	WAL029480	WAL604558	WAL624611	WAL625944	WAL625984	
	18	10	GS 18/ 10 L	6.0	WAL024917	WAL605347	WAL624612	WAL625945	WAL625985	
	18	12	GS 18/ 12 L	5.9	WAL029663	WAL605346	WAL624612	WAL625945	WAL625985	
	18	15	GS 18/ 15 L	6.1	WAL029482	WAL605919	WAL624612	WAL625945	WAL625985	
	22	15	GS 22/ 15 L	7.9	WAL024355	WAL617451	WAL624613	WAL625946	WAL625986	
	250 (3626)	22	18	GS 22/ 18 L	8.3	WAL061992	WAL617452	WAL624613	WAL625946	WAL625986
	28	22	GS 28/ 22 L	13.0	WAL024889	WAL615418	WAL624614	WAL625947	WAL625987	
S	630 (9137)	16	12	GS 16/ 12 S	8.2	WAL029481	WAL371138	WAL624621	WAL625954	WAL625994
	420 (6091)	20	16	GS 20/ 16 S	13.1	WAL025197	WAL612801	WAL624622	WAL625955	WAL625995
		25	16	GS 25/ 16 S	22.3	WAL060853	WAL615211	WAL624623	WAL625956	WAL625996
		25	20	GS 25/ 20 S	23.4	WAL063230	WAL617469	WAL624623	WAL625956	WAL625996

⚠ Caution: The pressure specifications refer to the steel version. For the stainless steel version (1.4571), please refer to the pressure specifications on page B5.

Elbow fittings

P-WV ...

P-WV ... -1.4571



E

Series	PN bar (psi)	Tube outer diameter	Model	kg/100 pc.	L ₂	L ₅	l	S ₁	S ₂	Walpro P-WV ... Art. no.	Walpro stainless steel P-WV ...-1.4571* Art. no.
LL	100 (1450)	4	S-WV 4 LL	2.5	21	15	11	9	10	WAL038576	WAL604071
		6	S-WV 6 LL	2.7	21	15	9.5	9	12	WAL038578	WAL061566
		8	S-WV 8 LL	3.8	23	17	11.5	12	14	WAL038579	WAL065336
L	500 (7252)	6	P-WV 6 L	4.9	27	19	12	12	14	WAL373385	WAL620074
		8	P-WV 8 L	7.6	29	21	14	12	17	WAL373386	WAL620075
		10	P-WV 10 L	9.6	30	22	15	14	19	WAL373387	WAL620076
	400 (5801)	12	P-WV 12 L	13.5	32	24	17	17	22	WAL373388	WAL620077
		15	P-WV 15 L	15.8	36	28	21	19	27	WAL373389	WAL620078
		18	P-WV 18 L	23.9	40	31	23.5	24	32	WAL373390	WAL620079
	250 (3626)	22	P-WV 22 L	31.7	44	35	27.5	27	36	WAL373391	WAL620080
		28	P-WV 28 L	42.0	47	38	30.5	36	41	WAL373392	WAL620081
35		P-WV 35 L	75.9	56	45	34.5	41	50	WAL373393	WAL620082	
S	800 (11603)	42	P-WV 42 L	107.8	63	51	40	50	60	WAL373394	WAL620083
		6	P-WV 6 S	8.5	31	23	16	12	17	WAL373395	WAL620084
		8	P-WV 8 S	11.7	32	24	17	14	19	WAL373396	WAL620085
	630 (9137)	10	P-WV 10 S	16.1	34	25	17.5	17	22	WAL373397	WAL620086
		12	P-WV 12 S	20.5	38	29	21.5	17	24	WAL373398	WAL620087
		14	P-WV 14 S	20.7	40	30	22	19	27	WAL373399	WAL621652
	420 (6091)	16	P-WV 16 S	25.0	43	33	24.5	24	30	WAL373400	WAL620088
		20	P-WV 20 S	40.7	48	37	26.5	27	36	WAL373401	WAL620089
		25	P-WV 25 S	77.6	54	42	30	36	46	WAL373402	WAL620090
		30	P-WV 30 S	97.4	62	49	35.5	41	50	WAL373403	WAL620091
		38	P-WV 38 S	131.8	72	57	41	50	60	WAL373404	WAL620092

⚠ Caution: The pressure specifications refer to the steel version. For the stainless steel version (1.4571), please refer to the pressure specifications on page B5.

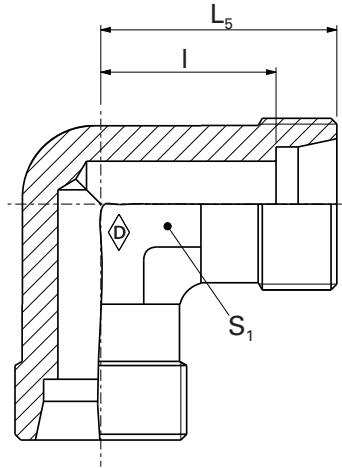
*Complete stainless steel fittings (1.4571) with silver-plated nut (AG/AGP), see price list

L₂ = approximate dimension if the union nut is tightened

Special parts are available on request.

WS ...

WS ... -1.4571



E

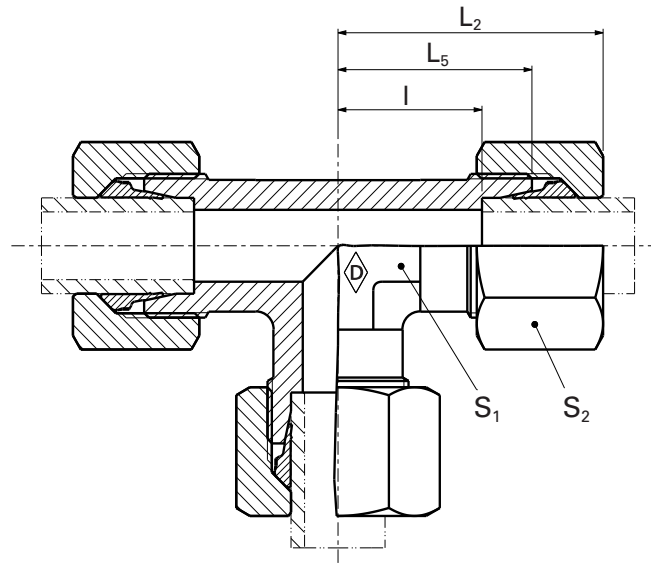
						System nuts for supplementing the stud (for technical data, see part D of this catalog)			
Series	PN bar (psi)	Tube outer diameter	Model	kg/100 pc.	Stud WS ...	Stud Stainless steel WS ... -1.4571*	Walring W-R ... VI	Walform WF-M ... VI	Walform stainless steel WF-M ... VI-1.4571*
					Art. no.	Art. no.	Art. no.	Art. no.	Art. no.
LL	100 (1450)	4	WS 4 LL	1.2	WAL037863	WAL604070			
		6	WS 6 LL	1.4	WAL037865	WAL061567			
		8	WS 8 LL	2.2	WAL037866	WAL065337			
L	500 (7252)	6	WS 6 L	2.8	WAL037867	WAL025576	WAL624607	WAL625940	WAL625980
		8	WS 8 L	4.1	WAL037868	WAL025577	WAL624608	WAL625941	WAL625981
		10	WS 10 L	5.7	WAL037869	WAL025578	WAL624609	WAL625942	WAL625982
	400 (5801)	12	WS 12 L	8	WAL037870	WAL025579	WAL624610	WAL625943	WAL625983
		15	WS 15 L	7.5	WAL037871	WAL025580	WAL624611	WAL625944	WAL625984
		18	WS 18 L	11.2	WAL037872	WAL025581	WAL624612	WAL625945	WAL625985
		22	WS 22 L	14.9	WAL037873	WAL025582	WAL624613	WAL625946	WAL625986
	250 (3626)	28	WS 28 L	25.2	WAL037874	WAL025583	WAL624614	WAL625947	WAL625987
		35	WS 35 L	46.5	WAL037875	WAL025584	WAL624615	WAL625948	WAL625988
		42	WS 42 L	61.6	WAL037876	WAL025585	WAL624616	WAL625949	WAL625989
S		800 (11603)	6	WS 6 S	9.4	WAL037877	WAL025586	WAL624617	WAL625950
	8		WS 8 S	7.2	WAL037878	WAL025587	WAL624618	WAL625951	WAL625991
	10		WS 10 S	9.7	WAL037879	WAL025588	WAL624619	WAL625952	WAL625992
	630 (9137)	12	WS 12 S	13.6	WAL037880	WAL025589	WAL624620	WAL625953	WAL625993
		14	WS 14 S	9.8	WAL037881	WAL025590			
		16	WS 16 S	14.4	WAL037882	WAL025591	WAL624621	WAL625954	WAL625994
		20	WS 20 S	20	WAL037883	WAL025592	WAL624622	WAL625955	WAL625995
	420 (6091)	25	WS 25 S	36.5	WAL037884	WAL025593	WAL624623	WAL625956	WAL625996
		30	WS 30 S	46.5	WAL037885	WAL025594	WAL624624	WAL625957	WAL625997
		38	WS 38 S	66	WAL037886	WAL025595	WAL624625	WAL625958	WAL625998

⚠ Caution: The pressure specifications refer to the steel version. For the stainless steel version (1.4571), please refer to the pressure specifications on page B5.

P-TV ...

P-TV ...-1.4571

E



Series	PN bar (psi)	Tube outer diameter	Model	kg/100 pc.	L ₂	L ₅	I	S ₁	S ₂	Walpro P-TV ... Art. no.	Walpro stainless steel P-TV ...-1.4571* Art. no.
LL	100 (1450)	4	S-TV 4 LL	2.8	21	15	11	8	10	WAL038600	WAL609123
		6	S-TV 6 LL	3.7	21	15	9.5	10	12	WAL038602	WAL065338
		8	S-TV 8 LL	5.1	23	17	11.5	12	14	WAL038603	WAL065340
L	500 (7252)	6	P-TV 6 L	7.1	27	19	12	12	14	WAL373408	WAL620093
		8	P-TV 8 L	10.1	29	21	14	14	17	WAL373409	WAL620094
		10	P-TV 10 L	13.0	30	22	15	17	19	WAL373410	WAL620095
	400 (5801)	12	P-TV 12 L	17.7	32	24	17	19	22	WAL373411	WAL620096
		15	P-TV 15 L	23.2	36	28	21	19	27	WAL373412	WAL620097
		18	P-TV 18 L	35.4	40	31	23.5	24	32	WAL373413	WAL620098
		22	P-TV 22 L	44.3	44	35	27.5	27	36	WAL373414	WAL620099
250 (3626)	28	P-TV 28 L	61.1	47	38	30.5	36	41	WAL373415	WAL620100	
	35	P-TV 35 L	90.1	56	45	34.5	41	50	WAL373416	WAL620101	
	42	P-TV 42 L	136.8	63	51	40	50	60	WAL373417	WAL620102	
S	800 (11603)	6	P-TV 6 S	12.0	31	23	16	12	17	WAL373418	WAL620103
		8	P-TV 8 S	15.7	32	24	17	17	19	WAL373419	WAL620104
		10	P-TV 10 S	21.2	34	25	17.5	19	22	WAL373420	WAL620105
	630 (9137)	12	P-TV 12 S	28.5	38	29	21.5	22	24	WAL373421	WAL620106
		14	P-TV 14 S	28.5	40	30	22	19	27	WAL373422	WAL621643
		16	P-TV 16 S	35.7	43	33	24.5	24	30	WAL373423	WAL620107
		20	P-TV 20 S	55.8	48	37	26.5	27	36	WAL373424	WAL620108
420 (6091)	25	P-TV 25 S	106.7	54	42	30	36	46	WAL373425	WAL620109	
	30	P-TV 30 S	134.9	62	49	35.5	41	50	WAL373426	WAL620110	
	38	P-TV 38 S	202.2	72	57	41	50	60	WAL373427	WAL620111	

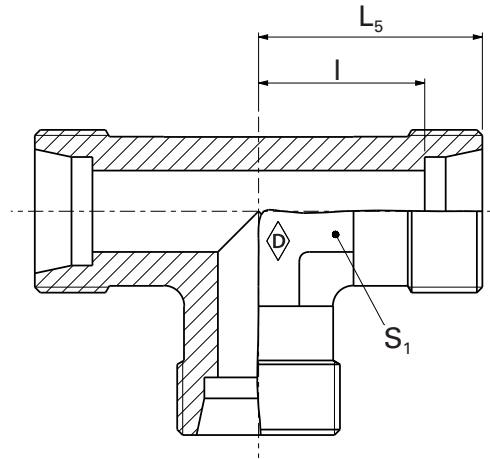
⚠ Caution: The pressure specifications refer to the steel version. For the stainless steel version (1.4571), please refer to the pressure specifications on page B5.

*Complete stainless steel fittings (1.4571) with silver-plated nut (AG/AGP), see price list

L₂= approximate dimension if the union nut is tightened

TS ...

TS ... -1.4571



E

System nuts for supplementing the stud
(for technical data, see part D of this catalog)

Series	PN bar (psi)	Tube outer diameter	Model	kg/100 pc.	DIN 2353	Art. no.	Stud TS ...	System nuts for supplementing the stud (for technical data, see part D of this catalog)		
								Walring W-R ... VI	Walform WF-M ... VI	Walform stainless steel WF-M ... VI-1.4571*
LL	100 (1450)	4	TS 4 LL	1.4	QLL 4	WAL037887	Stud Stainless steel TS ... -1.4571*			
		6	TS 6 LL	1.7	QLL 6	WAL037889	WAL617473	WAL065339		
		8	TS 8 LL	2.5	QLL 8	WAL037890	WAL065341			
L	500 (7252)	6	TS 6 L	3.4	QL 6	WAL037891	WAL025596	WAL624607	WAL625940	WAL625980
		8	TS 8 L	5.2	QL 8	WAL037892	WAL025597	WAL624608	WAL625941	WAL625981
		10	TS 10 L	6.3	QL 10	WAL037893	WAL025598	WAL624609	WAL625942	WAL625982
	400 (5801)	12	TS 12 L	8.6	QL 12	WAL037894	WAL025599	WAL624610	WAL625943	WAL625983
		15	TS 15 L	8.9	QL 15	WAL037895	WAL025600	WAL624611	WAL625944	WAL625984
		18	TS 18 L	14.7	QL 18	WAL037896	WAL025601	WAL624612	WAL625945	WAL625985
		22	TS 22 L	19.6	QL 22	WAL037897	WAL025602	WAL624613	WAL625946	WAL625986
	250 (3626)	28	TS 28 L	33.4	QL 28	WAL037898	WAL025603	WAL624614	WAL625947	WAL625987
		35	TS 35 L	49.5	QL 35	WAL037899	WAL025604	WAL624615	WAL625948	WAL625988
		42	TS 42 L	67.5	QL 42	WAL037900	WAL025605	WAL624616	WAL625949	WAL625989
6		TS 6 S	6.1	QS 6	WAL037901	WAL025606	WAL624617	WAL625950	WAL625990	
S	800 (11603)	8	TS 8 S	8.6	QS 8	WAL037902	WAL025607	WAL624618	WAL625951	WAL625991
		10	TS 10 S	10.8	QS 10	WAL037903	WAL025608	WAL624619	WAL625952	WAL625992
		12	TS 12 S	16.0	QS 12	WAL037904	WAL025609	WAL624620	WAL625953	WAL625993
	630 (9137)	14	TS 14 S	13.2	QS 14	WAL037905	WAL025610			
		16	TS 16 S	16.0	QS 16	WAL037906	WAL025611	WAL624621	WAL625954	WAL625994
		20	TS 20 S	26.8	QS 20	WAL037907	WAL025612	WAL624622	WAL625955	WAL625995
		25	TS 25 S	46.0	QS 25	WAL037908	WAL025613	WAL624623	WAL625956	WAL625996
	420 (6091)	30	TS 30 S	71.4	QS 30	WAL037909	WAL025614	WAL624624	WAL625957	WAL625997
		38	TS 38 S	103.5	QS 38	WAL037910	WAL025615	WAL624625	WAL625958	WAL625998

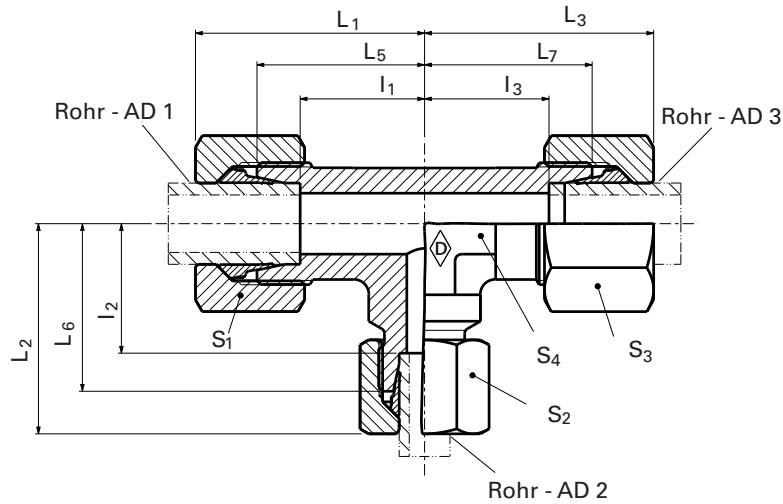
⚠ Caution: The pressure specifications refer to the steel version. For the stainless steel version (1.4571), please refer to the pressure specifications on page B5.

T reducer fittings

P-TV 1 / 2 / 3

- L₁, L₂ and L₃ = approximate dimensions if the union nuts are tightened
- Light-duty range

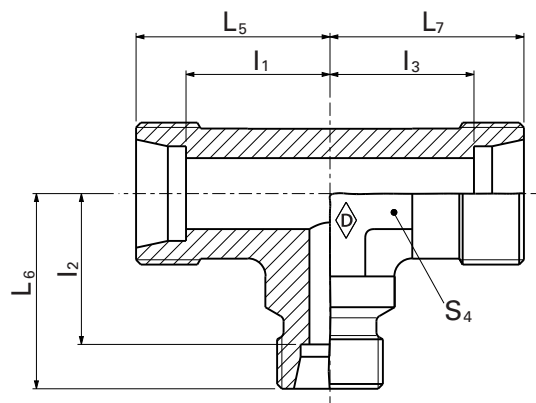
E



																			Walpro P-TV .../.../...	
Series	PN bar (psi)	Tube outer diameter 1	Tube outer diameter 2	Tube outer diameter 3	Model	I ₁	I ₂	I ₃	L ₁	L ₂	L ₃	L ₅	L ₆	L ₇	S ₁	S ₂	S ₃	S ₄	Art. no.	
L	500 (7252)	10	6	10	P-TV 10/6/10 L	15	15	15	30	30	30	22	22	22	17	19	14	14	WAL374542	
		10	8	10	P-TV 10/8/10 L	15	15	15	30	30	30	22	22	22	17	19	17	14	WAL374543	
		12	6	12	P-TV 12/6/12 L	17	17	17	32	32	32	24	24	24	22	22	14	17	WAL602635	
		12	8	12	P-TV 12/8/12 L	17	17	17	32	32	32	24	24	24	22	22	17	17	WAL374544	
		12	10	12	P-TV 12/10/12 L	17	17	17	32	32	32	24	24	24	22	22	19	17	WAL374545	
		12	15	12	P-TV 12/15/12 L	21	21	21	36	36	36	28	28	28	22	22	27	19	WAL374546	
	400 (5801)	15	12	12	P-TV 15/12/12 L	21	21	21	36	36	36	28	28	28	27	22	22	19	WAL374549	
		15	15	12	P-TV 15/15/12 L	21	21	21	36	36	36	28	28	28	27	22	27	19	WAL606957	
		15	8	15	P-TV 15/8/15 L	21	21	21	36	36	36	28	28	28	27	27	17	19	WAL374547	
		15	10	15	P-TV 15/10/15 L	21	21	21	36	36	36	28	28	28	27	27	19	19	WAL605187	
		15	12	15	P-TV 15/12/15 L	21	21	21	36	36	36	28	28	28	27	27	22	19	WAL374548	
		18	12	12	P-TV 18/12/12 L	23.5	24	24	40	39	39	31	31	31	32	22	22	24	WAL374552	
	250 (3626)	18	10	18	P-TV 18/10/18 L	23.5	23.5	24	40	40	39	31	31	31	32	32	19	24	WAL374550	
		18	12	18	P-TV 18/12/18 L	23.5	23.5	24	40	40	39	31	31	31	32	32	22	24	WAL374551	
		18	15	18	P-TV 18/15/18 L	23.5	23.5	24	40	40	39	31	31	31	32	32	27	24	WAL605018	
		22	10	22	P-TV 22/10/22 L	27.5	27.5	28	44	44	43	35	35	35	36	36	19	27	WAL373553	
		22	15	22	P-TV 22/15/22 L	27.5	27.5	28	44	44	43	35	35	35	36	36	27	27	WAL374554	
		28	22	22	P-TV 28/22/22 L	30.5	30.5	30.5	47	47	47	38	38	38	41	36	36	36	WAL606590	
	28	22	28	P-TV 28/22/28 L	30.5	30.5	30.5	47	47	47	38	38	38	41	41	36	36	WAL605916		

L₁, L₂ and L₃ = approximate dimensions if the union nuts are tightened

TS 1 / 2 / 3



E

Series	PN bar (psi)	Tube outer diameter 1	Tube outer diameter 2	Tube outer diameter 3	Model	kg/100 pc.	Stud TS .../.../... Art. no.
L	500 (7525)	10	6	10	TS 10/6/10 L	5.8	WAL027761
		10	8	10	TS 10/8/10 L	5.8	WAL029472
		12	6	12	TS 12/6/12 L	8.9	WAL025465
		12	8	12	TS 12/8/12 L	8.7	WAL027710
		12	10	12	TS 12/10/12 L	8.9	WAL024215
		12	15	12	TS 12/15/12 L	7.9	WAL060044
	400 (5801)	15	12	12	TS 15/12/12 L	8.0	WAL028939
		15	15	12	TS 15/15/12 L	8.0	WAL024959
		15	8	15	TS 15/8/15 L	7.7	WAL025033
		15	10	15	TS 15/10/15 L	8.0	WAL060051
		15	12	15	TS 15/12/15 L	8.7	WAL029473
		18	12	12	TS 18/12/12 L	15.0	WAL064007
		18	10	18	TS 18/10/18 L	15.0	WAL029620
		18	12	18	TS 18/12/18 L	15.3	WAL028666
		18	15	18	TS 18/15/18 L	15.5	WAL066450
		250 (3626)	22	10	22	TS 22/10/22 L	20.1
	22		15	22	TS 22/15/22 L	20.6	WAL060866
	28		22	22	TS 28/22/22 L	34.0	WAL063243
28	22		28	TS 28/22/28 L	33.2	WAL060956	

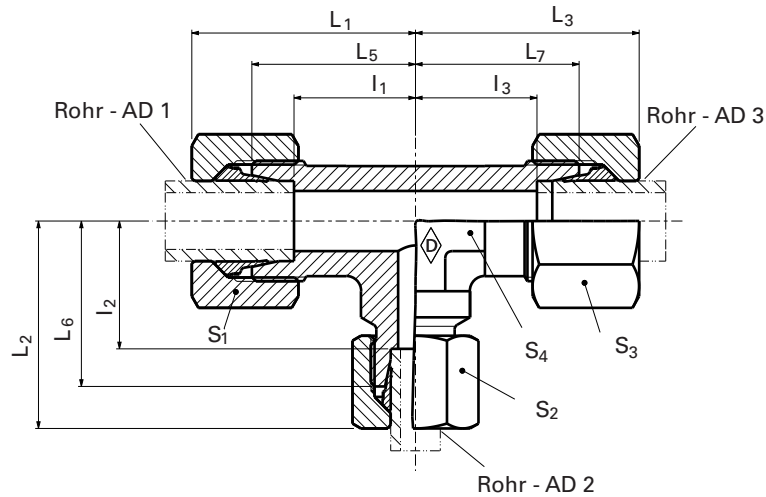
Special parts are available on request.

T reducer fittings

P-TV 1 / 2 / 3

- L1, L2 and L3 = approximate dimensions if the union nuts are tightened
- Heavy-duty range

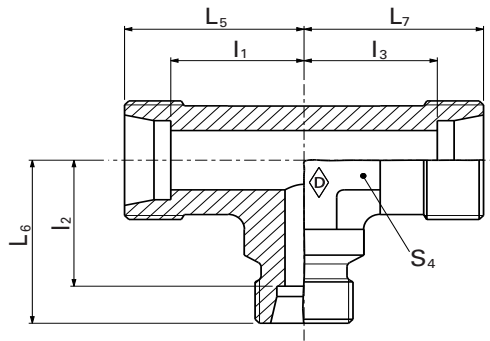
E



Series	PN bar (psi)	Tube outer diameter 1	Tube outer diameter 2	Tube outer diameter 3	l ₁	l ₂	l ₃	L ₁	L ₂	L ₃	L ₅	L ₆	L ₇	S ₁	S ₂	S ₃	S ₄
630 (9137)		12	16	12	25.5	25.5	24.5	42	42	43	33	33	33	24	24	30	24
		16	10	16	24.5	24.5	25.5	43	43	42	33	33	33	30	30	22	24
		16	12	16	24.5	25.5	25.5	43	43	42	33	33	33	30	30	24	24
		16	12	12	24.5	25.5	25.5	43	42	38	33	33	29	30	30	24	24
		16	6	16	24.5	24.5	26	43	43	41	33	33	33	30	30	17	24
		16	25	16	33.5	33.5	30	52	52	54	42	42	42	30	30	46	36
		16	20	16	28.5	28.5	26.5	47	47	48	37	37	37	30	30	36	27
		20	25	20	31.5	31.5	30	53	53	54	42	42	42	36	36	46	36
		20	20	16	36.5	28.5	36.5	48	47	48	37	37	37	36	30	36	27
		20	16	16	26.5	28.5	24.5	48	47	43	37	37	33	36	30	30	27
420 (6091)		20	10	20	26.5	26.5	29.5	48	48	46	37	37	37	36	36	22	27
		20	12	20	26.5	26.5	29.5	48	48	47	37	37	37	36	36	24	27
		25	12	25	30	30	34.5	54	54	51	42	42	42	46	46	24	36
		25	16	25	30	30	33.5	54	54	52	42	42	42	46	46	30	36
		25	20	25	30	30	31.5	54	54	53	42	42	42	46	46	36	36
		30	20	30	35.5	35.5	38.5	62	62	60	49	49	49	50	50	36	41
		30	25	30	35.5	35.5	37	62	62	61	49	49	49	50	50	46	41
		30	30	20	35.5	33	35.5	62	60	62	49	49	49	50	36	50	41
		30	30	16	35.5	40.5	35.5	62	59	62	49	49	49	50	30	50	41
		30	38	30	43.5	43.5	41	70	70	72	57	57	57	50	50	60	50
400 (5801)		20	16	20	26.5	26.5	28.5	48	48	47	37	37	37	36	36	30	27
		25	38	25	41	45	41	69	69	72	57	57	57	46	46	60	50
		38	20	38	41	41	46.5	72	72	68	57	57	57	60	46	46	50
		38	25	25	41	45	45	72	69	69	57	57	57	60	46	46	50
		38	25	38	41	41	41	72	72	65	57	57	53	60	60	46	50
		38	38	25	41	45	41	72	69	72	57	57	57	60	46	60	50

L₁, L₂ and L₃ = approximate dimensions if the union nuts are tightened

TS 1 / 2 / 3



E

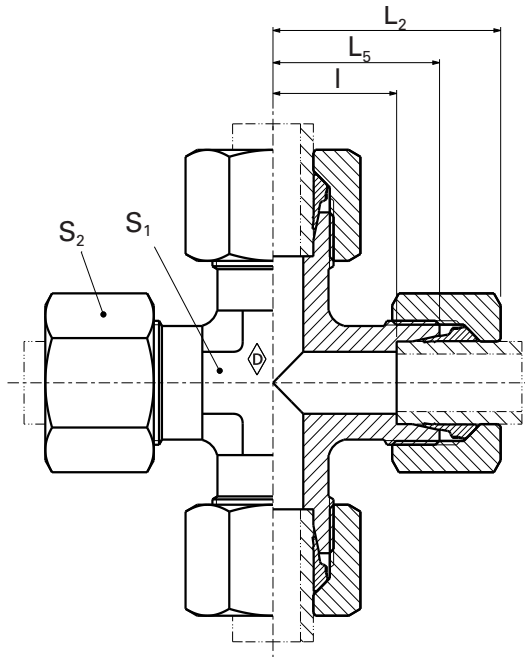
Stud
TS .../.../...

Series	PN bar (psi)	Tube outer diameter 1	Tube outer diameter 2	Tube outer diameter 3	Model	Art. no.
S	630 (9137)	12	16	12	TS 12/16/12 S	WAL066485
		16	10	16	TS 16/10/16 S	WAL025263
		16	12	16	TS 16/12/16 S	WAL067362
		16	12	12	TS 16/12/12 S	WAL612794
		16	6	16	TS 16/6/16 S	WAL615645
		16	25	16	TS 16/25/16 S	WAL613187
		16	20	16	TS 16/20/16 S	WAL611432
		20	25	20	TS 20/25/20 S	WAL612080
		20	20	16	TS 20/20/16 S	WAL612792
		20	16	16	TS 20/16/16 S	WAL612793
	420 (6091)	20	10	20	TS 20/10/20 S	WAL024178
		20	12	20	TS 20/12/20 S	WAL617083
		25	12	25	TS 25/12/25 S	WAL025200
		25	16	25	TS 25/16/25 S	WAL615644
		25	20	25	TS 25/20/25 S	WAL060872
		30	20	30	TS 30/20/30 S	WAL615640
		30	25	30	TS 30/25/30 S	WAL624322
		30	30	20	TS 30/30/20 S	WAL624323
		30	30	16	TS 30/30/16 S	WAL624743
		30	38	30	TS 30/38/30 S	WAL060874
400 (5801)	20	16	20	TS 20/16/20 S	WAL615641	
	25	38	25	TS 25/38/25 S	WAL615638	
	38	20	38	TS 38/20/38 S	WAL615639	
	38	25	25	TS 38/25/25 S	WAL615637	
	38	25	38	TS 38/25/38 S	WAL615642	
	38	38	25	TS 38/38/25 S	WAL618539	

Special parts are available on request.

P-KV ...

P-KV ... -1.4571



E

Series	PN bar (psi)	Tube outer diameter	Model	kg/100 pc.	L ₂	L ₅	I	S ₁	S ₂	Walpro P-KV ... Art. no.	Walpro stainless steel P-KV ...-1.4571* Art. no.
LL	100 (1450)	4	S-KV 4 LL	3.0	21	15	11	9	10	WAL038624	WAL623076
		6	S-KV 6 LL	4.0	21	15	9.5	9	12	WAL038626	WAL623078
		8	S-KV 8 LL	6.0	23	17	11.5	12	14	WAL038627	WAL623080
L	500 (7252)	6	P-KV 6 L	7.7	27	19	12	12	14	WAL373431	WAL620368
		8	P-KV 8 L	10.9	29	21	14	12	17	WAL373432	WAL621030
		10	P-KV 10 L	15.5	30	22	15	14	19	WAL373433	WAL620446
	400 (5801)	12	P-KV 12 L	19.2	32	24	17	17	22	WAL373434	WAL620442
		15	P-KV 15 L	31.1	36	28	21	19	27	WAL373435	WAL620355
		18	P-KV 18 L	48.3	40	31	23.5	24	32	WAL373436	WAL620670
250 (5801)	22	P-KV 22 L	72.4	44	35	27.5	27	36	WAL373437	WAL620529	
	28	P-KV 28 L	101.1	47	38	30.5	36	41	WAL373438	WAL621031	
	35	P-KV 35 L	122.8	56	45	34.5	41	50	WAL373439	WAL621032	
S	800 (11603)	42	P-KV 42 L	175.6	63	51	40	50	60	WAL373440	WAL620671
		6	P-KV 6 S	12.3	31	23	16	12	17	WAL373441	WAL621033
		8	P-KV 8 S	14.8	32	24	17	14	19	WAL373442	WAL620649
	630 (9137)	10	P-KV 10 S	23.0	34	25	17.5	17	22	WAL373443	WAL620498
		12	P-KV 12 S	28.2	38	29	21.5	17	24	WAL373444	WAL620522
		14	P-KV 14 S	35.4	40	30	22	19	27	WAL373445	WAL621534
	420 (6091)	16	P-KV 16 S	45.1	43	33	24.5	24	30	WAL373446	WAL621034
		20	P-KV 20 S	70.4	48	37	26.5	27	36	WAL373447	WAL620906
		25	P-KV 25 S	125.7	54	42	30	36	46	WAL373448	WAL620515
	400 (5801)	30	P-KV 30 S	150.3	62	49	35.5	41	50	WAL373449	WAL621035
38		P-KV 38 S	205.1	72	57	41	50	60	WAL373450	WAL621036	

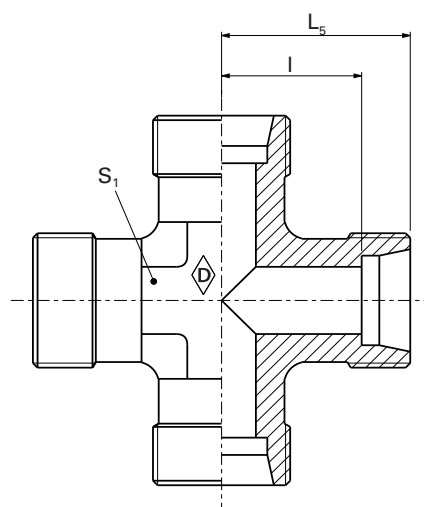
⚠ Caution: The pressure specifications refer to the steel version. For the stainless steel version (1.4571), please refer to the pressure specifications on page B5.

*Complete stainless steel fittings (1.4571) with silver-plated nut (AG/AGP), see price list

L₂ = approximate dimension if the union nut is tightened

KS ...

KS ... -1.4571



E

						System nuts for supplementing the stud (for technical data, see part D of this catalog)				
						Stud KS ...	Stud Stainless steel KS ... -1.4571*	Walring W-R ... VI	Walform WF-M ... VI	Walform stainless steel WF-M ... VI-1.4571*
Series	PN bar (psi)	Tube outer diameter	Model	kg/ 100 pc.	Art. no.	Art. no.	Art. no.	Art. no.	Art. no.	
LL	100 (1450)	4	KS 4 LL	1.5	WAL037911	WAL623077				
		6	KS 6 LL	1.5	WAL037913	WAL623079				
		8	KS 8 LL	2.6	WAL037914	WAL623081				
L	500 (7252)	6	KS 6 L	3.5	WAL037915	WAL372737	WAL624607	WAL625940	WAL625980	
		8	KS 8 L	4.1	WAL037916	WAL372105	WAL624608	WAL625941	WAL625981	
		10	KS 10 L	4.6	WAL037917	WAL370719	WAL624609	WAL625942	WAL625982	
	400 (5801)	12	KS 12 L	7.3	WAL037918	WAL604343	WAL624610	WAL625943	WAL625983	
		15	KS 15 L	12.5	WAL037919	WAL372319	WAL624611	WAL625944	WAL625984	
		18	KS 18 L	18.2	WAL037920	WAL374733	WAL624612	WAL625945	WAL625985	
	250 (5801)	22	KS 22 L	23.5	WAL037921	WAL371815	WAL624613	WAL625946	WAL625986	
		28	KS 28 L	64.0	WAL037922	WAL617474	WAL624614	WAL625947	WAL625987	
35		KS 35 L	64.0	WAL037923	WAL617475	WAL624615	WAL625948	WAL625988		
S	800 (11603)	42	KS 42 L	83.2	WAL037924	WAL605168	WAL624616	WAL625949	WAL625989	
		6	KS 6 S	6.1	WAL037925	WAL617476	WAL624617	WAL625950	WAL625990	
		8	KS 8 S	8.1	WAL037926	WAL617477	WAL624618	WAL625951	WAL625991	
	630 (9137)	10	KS 10 S	10.4	WAL037927	WAL604780	WAL624619	WAL625952	WAL625992	
		12	KS 12 S	13.7	WAL037928	WAL604969	WAL624620	WAL625953	WAL625993	
		14	KS 14 S	16.5	WAL037929	WAL617478				
	420 (6091)	16	KS 16 S	22.4	WAL037930	WAL371676	WAL624621	WAL625954	WAL625994	
		20	KS 20 S	29.0	WAL037931	WAL617479	WAL624622	WAL625955	WAL625995	
25		KS 25 S	43.5	WAL037932	WAL604892	WAL624623	WAL625956	WAL625996		
400 (5801)	30	KS 30 S	58.5	WAL037933	WAL371178	WAL624624	WAL625957	WAL625997		
	38	KS 38 S	73.5	WAL037934	WAL604807	WAL624625	WAL625958	WAL625998		

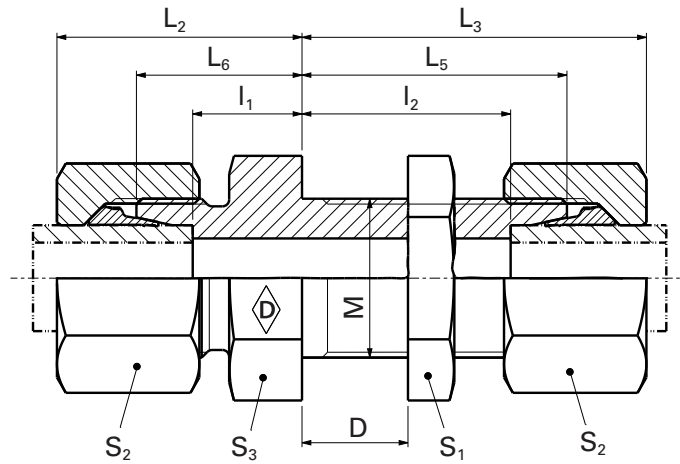
⚠ Caution: The pressure specifications refer to the steel version. For the stainless steel version (1.4571), please refer to the pressure specifications on page B5.

Special parts are available on request.

Straight bulkhead fittings

P-GSV ...

P-GSV ... -1.4571



E

Series	PN bar (psi)	Tube outer diameter	Model	M	D min.	D max.	kg/100 pc.	L ₆	L ₅	L ₃	L ₂	I1	I2	*S ₁	S ₂	S ₃	Art. no.	Art. no.
L	500 (7252)	6	P-GSV 6 L m. 6kt M	M 12 x 1.5	4	16	6.7	14	34	42	22	7	27	17	14	17	WAL373451	WAL620175
		8	P-GSV 8 L m. 6kt M	M 14 x 1.5	4	16	8.4	15	34	42	23	8	27	19	17	19	WAL373452	WAL620154
		10	P-GSV 10 L m. 6kt M	M 16 x 1.5	4	16	11.0	17	35	43	25	10	28	22	19	22	WAL373453	WAL620143
		12	P-GSV 12 L m. 6kt M	M 18 x 1.5	4	16	13.3	17	36	44	25	10	29	24	22	24	WAL373454	WAL620137
	400 (5801)	15	P-GSV 15 L m. 6kt M	M 22 x 1.5	4	16	22.8	19	38	45	27	12	31	30	27	27	WAL373455	WAL620217
		18	P-GSV 18 L m. 6kt M	M 26 x 1.5	4	16	33.2	21	40	49	30	13.5	32.5	36	32	32	WAL373456	WAL620194
	250 (3626)	22	P-GSV 22 L m. 6kt M	M 30 x 2	5	16	41.5	24	42	51	33	16.5	34.5	41	36	36	WAL373457	WAL620195
		28	P-GSV 28 L m. 6kt M	M 36 x 2	5	16	52.5	26	43	52	35	18.5	35.5	46	41	41	WAL373458	WAL620192
		35	P-GSV 35 L m. 6kt M	M 45 x 2	5	16	80.0	29	47	58	40	18.5	36.5	55	50	50	WAL373459	WAL620513
		42	P-GSV 42 L m. 6kt M	M 52 x 2	5	16	119.3	30	47	59	42	19	36	65	60	60	WAL373460	WAL620267
S	800 (11603)	6	P-GSV 6 S m. 6kt M	M 14 x 1.5	4	16	9.6	19	36	44	27	12	29	19	17	19	WAL373461	WAL620135
		8	P-GSV 8 S m. 6kt M	M 16 x 1.5	4	16	12.4	20	36	44	28	13	29	22	19	22	WAL373462	WAL620273
		10	P-GSV 10 S m. 6kt M	M 18 x 1.5	4	16	18.1	22	37	46	31	14.5	29.5	24	22	24	WAL373463	WAL620206
	630 (9137)	12	P-GSV 12 S m. 6kt M	M 20 x 1.5	4	16	21.0	22	38	47	31	14.5	30.5	27	24	27	WAL373464	WAL620136
		14	P-GSV 14 S m. 6kt M	M 22 x 1.5	4	16	29.0	25	40	50	35	17	32	30	27	30	WAL373465	WAL620466
	400 (5801)	16	P-GSV 16 S m. 6kt M	M 24 x 1.5	4	16	31.0	25	40	50	35	16.5	31.5	32	30	32	WAL373466	WAL620162
		20	P-GSV 20 S m. 6kt M	M 30 x 2	5	16	54.5	28	44	55	39	17.5	33.5	41	36	41	WAL373467	WAL620234
		25	P-GSV 25 S m. 6kt M	M 36 x 2	5	16	89.0	32	47	59	44	20	35	46	46	46	WAL373468	WAL620193
	400 (5801)	30	P-GSV 30 S m. 6kt M	M 42 x 2	5	16	107.7	35	51	64	48	21.5	37.5	50	50	50	WAL373469	WAL620259
		38	P-GSV 38 S m. 6kt M	M 52 x 2	5	16	173.0	38	53	68	53	22	37	65	60	65	WAL373470	WAL620392

Walpro stainless steel P-GSV ... -1.4571*

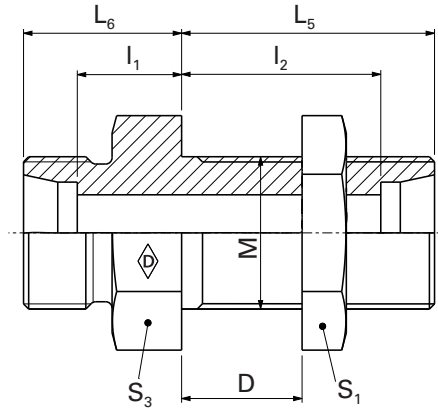
⚠ Caution: The pressure specifications refer to the steel version. For the stainless steel version (1.4571), please refer to the pressure specifications on page B5.

*Complete stainless steel fittings (1.4571) with silver-plated nut (AG/AGP), see price list

L₂ = approximate dimension if the union nut is tightened

GSS ...

GSS ... -1.4571



E

System nuts for supplementing the stud
(for technical data, see part D of this catalog)

Series	PN bar (psi)	Tube outer diameter	Model	M	D min.	D max.	kg/100 pc.	Stud GSS ... Art. no.	Stainless steel stud GSS ... -1.4571* Art. no.	System nuts for supplementing the stud (for technical data, see part D of this catalog)		
										Walring W-R ... VI Art. no.	Walform WF-M ... VI Art. no.	Walform stainless steel WF-M ... VI-1.4571* Art. no.
L	500 (7252)	6	GSS 6 L m. 6kt M	M 12 x 1.5	4	16	4.0	WAL063273	WAL606286	WAL624607	WAL625940	WAL625980
		8	GSS 8 L m. 6kt M	M 14 x 1.5	4	16	5.0	WAL024147	WAL606287	WAL624608	WAL625941	WAL625981
		10	GSS 10 L m. 6kt M	M 16 x 1.5	4	16	6.5	WAL061656	WAL606288	WAL624609	WAL625942	WAL625982
	400 (5801)	12	GSS 12 L m. 6kt M	M 18 x 1.5	4	16	7.5	WAL061657	WAL602786	WAL624610	WAL625943	WAL625983
		15	GSS 15 L m. 6kt M	M 22 x 1.5	4	16	13.0	WAL061995	WAL617480	WAL624611	WAL625944	WAL625984
		18	GSS 18 L m. 6kt M	M 26 x 1.5	4	16	19.5	WAL061658	WAL605445	WAL624612	WAL625945	WAL625985
	250 (3626)	22	GSS 22 L m. 6kt M	M 30 x 2	5	16	25.5	WAL063759	WAL612436	WAL624613	WAL625946	WAL625986
		28	GSS 28 L m. 6kt M	M 36 x 2	5	16	34.0	WAL063760	WAL617481	WAL624614	WAL625947	WAL625987
		35	GSS 35 L m. 6kt M	M 45 x 2	5	16	49.4	WAL063761	WAL617482	WAL624615	WAL625948	WAL625988
		42	GSS 42 L m. 6kt M	M 52 x 2	5	16	71.6	WAL063762	WAL617483	WAL624616	WAL625949	WAL625989
S	800 (11603)	6	GSS 6 S m. 6kt M	M 14 x 1.5	4	16	6.2	WAL063763	WAL603960	WAL624617	WAL625950	WAL625990
		8	GSS 8 S m. 6kt M	M 16 x 1.5	4	16	9.0	WAL063764	WAL604963	WAL624618	WAL625951	WAL625991
		10	GSS 10 S m. 6kt M	M 18 x 1.5	4	16	11.3	WAL063765	WAL617063	WAL624619	WAL625952	WAL625992
	630 (9137)	12	GSS 12 S m. 6kt M	M 20 x 1.5	4	16	14.0	WAL063766	WAL604599	WAL624620	WAL625953	WAL625993
		14	GSS 14 S m. 6kt M	M 22 x 1.5	4	16	18.0	WAL063767	WAL617484			
		16	GSS 16 S m. 6kt M	M 24 x 1.5	4	16	17.5	WAL063768	WAL372243	WAL624621	WAL625954	WAL625994
	400 (5801)	20	GSS 20 S m. 6kt M	M 30 x 2	5	16	33.2	WAL063769	WAL370731	WAL624622	WAL625955	WAL625995
		25	GSS 25 S m. 6kt M	M 36 x 2	5	16	49.5	WAL063770	WAL372244	WAL624623	WAL625956	WAL625996
	30	GSS 30 S m. 6kt M	M 42 x 2	5	16	66.4	WAL063771	WAL617485	WAL624624	WAL625957	WAL625997	
	38	GSS 38 S m. 6kt M	M 52 x 2	5	16	105.9	WAL063772	WAL604964	WAL624625	WAL625958	WAL625998	

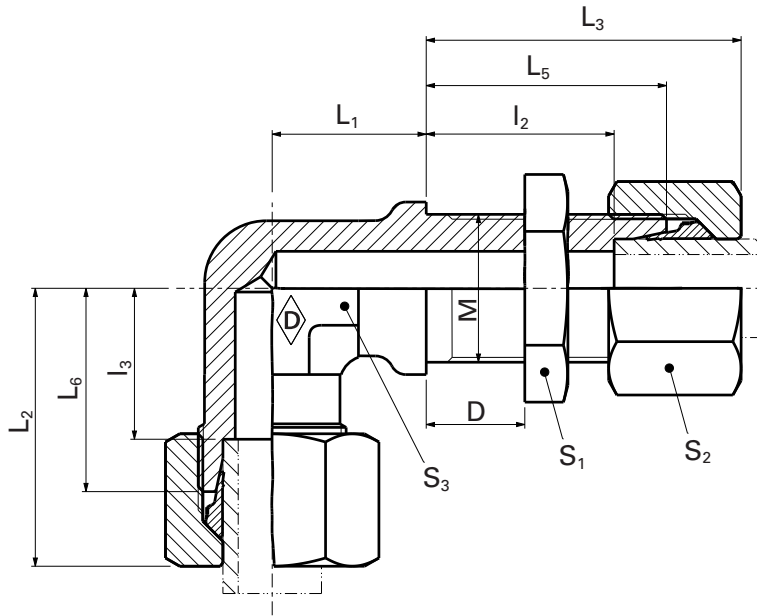
⚠ **Caution:** The pressure specifications refer to the steel version. For the stainless steel version (1.4571), please refer to the pressure specifications on page B5.

Bulkhead elbow fittings

P-WSV ...

P-WSV ... -1.4571

E



Series	PN bar (psi)	Tube outer diameter	Model	M	D min.	D max.	kg/100 pc.	L ₁	L ₂	L ₃	L ₅	L ₆	L ₂	L ₃	d	S ₁	S ₂	S ₃	Art. no.	Art. no.
L	500 (7252)	6	P-WSV 6 L m. 6kt M	M 12 x 1.5	4	16	7.5	14	27	42	34	19	27	12	17	17	14	12	WAL373471	WAL620245
		8	P-WSV 8 L m. 6kt M	M 14 x 1.5	4	16	9.9	17	29	42	34	21	27	14	19	19	17	12	WAL373472	WAL620480
		10	P-WSV 10 L m. 6kt M	M 16 x 1.5	4	16	12.0	18	30	43	35	22	28	15	22	22	19	14	WAL373473	WAL620502
		12	P-WSV 12 L m. 6kt M	M 18 x 1.5	4	16	15.0	20	32	44	36	24	29	17	24	24	22	17	WAL373474	WAL620246
	400 (5801)	15	P-WSV 15 L m. 6kt M	M 22 x 1.5	4	16	25.0	23	36	46	38	28	31	21	27	30	27	19	WAL373475	WAL620338
		18	P-WSV 18 L m. 6kt M	M 26 x 1.5	4	16	35.5	24	40	49	40	31	32.5	23.5	32	36	32	24	WAL373476	WAL620500
		22	P-WSV 22 L m. 6kt M	M 30 x 2	5	16	46.5	30	44	51	42	35	34.5	27.5	36	41	36	27	WAL373477	WAL620520
	250 (3626)	28	P-WSV 28 L m. 6kt M	M 36 x 2	5	16	64.0	34	47	52	43	38	35.5	30.5	42	46	41	36	WAL373478	WAL620552
		35	P-WSV 35 L m. 6kt M	M 45 x 2	5	16	99.4	39	56	58	47	45	36.5	34.5	50	55	50	41	WAL373479	WAL620672
			42	P-WSV 42 L m. 6kt M	M 52 x 2	5	16	149.0	43	63	59	47	51	36	40	60	65	60	50	WAL373480
S	800 (11603)	6	P-WSV 6 S m. 6kt M	M 14 x 1.5	4	16	10.5	17	31	44	36	23	29	16	19	19	17	12	WAL373481	WAL620540
		8	P-WSV 8 S m. 6kt M	M 16 x 1.5	4	16	14.0	18	32	44	36	24	29	17	22	22	19	14	WAL373482	WAL620541
		10	P-WSV 10 S m. 6kt M	M 18 x 1.5	4	16	19.0	20	34	46	37	25	29.5	17.5	24	24	22	17	WAL373483	WAL620463
		12	P-WSV 12 S m. 6kt M	M 20 x 1.5	4	16	22.5	21	38	47	38	29	30.5	21.5	27	27	24	17	WAL373484	WAL620334
	630 (9137)	14	P-WSV 14 S m. 6kt M	M 22 x 1.5	4	16	30.0	23	40	50	40	30	32	22	27	30	27	19	WAL373485	WAL620674
		16	P-WSV 16 S m. 6kt M	M 24 x 1.5	4	16	36.5	24	43	50	40	33	31.5	24.5	30	32	30	24	WAL373486	WAL620264
		20	P-WSV 20 S m. 6kt M	M 30 x 2	5	16	58.0	30	48	55	44	37	33.5	26.5	36	41	36	27	WAL373487	WAL620223
	400 (5801)	25	P-WSV 25 S m. 6kt M	M 36 x 2	5	16	100.0	34	54	59	47	42	35	30	42	46	46	36	WAL373488	WAL620247
		30	P-WSV 30 S m. 6kt M	M 42 x 2	5	16	130.0	39	62	64	51	49	37.5	35.5	50	50	50	41	WAL373489	WAL620675
			38	P-WSV 38 S m. 6kt M	M 52 x 2	5	16	197.0	43	72	68	53	57	37	41	60	65	60	50	WAL373490

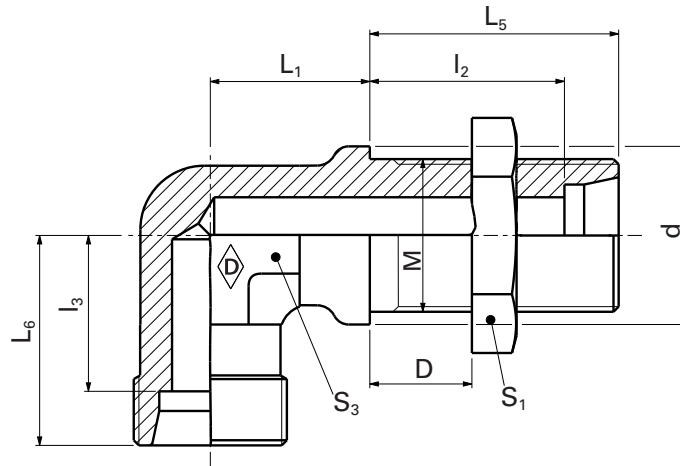
Walpro stainless steel P-WSV ... -1.4571*

⚠ Caution: The pressure specifications refer to the steel version. For the stainless steel version (1.4571), please refer to the pressure specifications on page B5.

*Complete stainless steel fittings (1.4571) with silver-plated nut (AG/AGP), see price list

L₂ = approximate dimension if the union nut is tightened

WSS ...
WSS ... -1.4571



E

System nuts for supplementing the stud
 (for technical data, see part D of this catalog)

Series	PN bar (psi)	Tube outer diameter	Model	M	D min.	D max.	kg/100 pc.	Stud WSS ...	Stainless steel stud WSS ... -1.4571*	Walring W-R ... VI	Walform WF-M ... VI	Walform stainless steel WF-M ... VI-1.4571*
								Art. no.	Art. no.	Art. no.	Art. no.	Art. no.
L	500 (7252)	6	WSS 6 L m. 6kt M	M 12 x 1.5	4	16	5.0	WAL063274	WAL617488	WAL624607	WAL625940	WAL625980
		8	WSS 8 L m. 6kt M	M 14 x 1.5	4	16	6.5	WAL024146	WAL617489	WAL624608	WAL625941	WAL625981
		10	WSS 10 L m. 6kt M	M 16 x 1.5	4	16	8.0	WAL024127	WAL608422	WAL624609	WAL625942	WAL625982
	400 (5801)	12	WSS 12 L m. 6kt M	M 18 x 1.5	4	16	10.0	WAL063773	WAL615355	WAL624610	WAL625943	WAL625983
		15	WSS 15 L m. 6kt M	M 22 x 1.5	4	16	17.0	WAL063275	WAL617490	WAL624611	WAL625944	WAL625984
		18	WSS 18 L m. 6kt M	M 26 x 1.5	4	16	24.0	WAL063774	WAL617491	WAL624612	WAL625945	WAL625985
		22	WSS 22 L m. 6kt M	M 30 x 2	5	16	64.2	WAL063775	WAL612437	WAL624613	WAL625946	WAL625986
	250 (3626)	28	WSS 28 L m. 6kt M	M 36 x 2	5	16	44.5	WAL063776	WAL615221	WAL624614	WAL625947	WAL625987
		35	WSS 35 L m. 6kt M	M 45 x 2	5	16	68.8	WAL063777	WAL617492	WAL624615	WAL625948	WAL625988
	S	800 (11603)	42	WSS 42 L m. 6kt M	M 52 x 2	5	16	196.7	WAL063778	WAL617493	WAL624616	WAL625949
6			WSS 6 S m. 6kt M	M 14 x 1.5	4	16	7.5	WAL063779	WAL617494	WAL624617	WAL625950	WAL625990
8			WSS 8 S m. 6kt M	M 16 x 1.5	4	16	10.0	WAL063780	WAL617495	WAL624618	WAL625951	WAL625991
10			WSS 10 S m. 6kt M	M 18 x 1.5	4	16	12.2	WAL063781	WAL617496	WAL624619	WAL625952	WAL625992
12			WSS 12 S m. 6kt M	M 20 x 1.5	4	16	16.0	WAL063782	WAL617497	WAL624620	WAL625953	WAL625993
14			WSS 14 S m. 6kt M	M 22 x 1.5	4	16	20.0	WAL063783	WAL617498			
630 (9137)		16	WSS 16 S m. 6kt M	M 24 x 1.5	4	16	23.0	WAL063784	WAL601079	WAL624621	WAL625954	WAL625994
		20	WSS 20 S m. 6kt M	M 30 x 2	5	16	38.5	WAL063785	WAL612438	WAL624622	WAL625955	WAL625995
		25	WSS 25 S m. 6kt M	M 36 x 2	5	16	62.0	WAL063786	WAL615212	WAL624623	WAL625956	WAL625996
		30	WSS 30 S m. 6kt M	M 42 x 2	5	16	88.5	WAL063244	WAL615651	WAL624624	WAL625957	WAL625997
400 (5801)	38	WSS 38 S m. 6kt M	M 52 x 2	5	16	129.9	WAL063787	WAL617499	WAL624625	WAL625958	WAL625998	

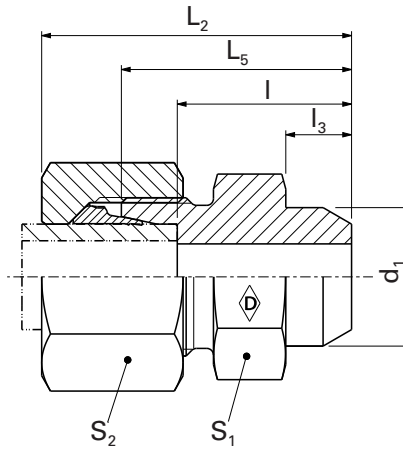
⚠ Caution: The pressure specifications refer to the steel version. For the stainless steel version (1.4571), please refer to the pressure specifications on page B5.

Special parts are available on request.

P-ASV ...

P-ASV ... -1.4571

E

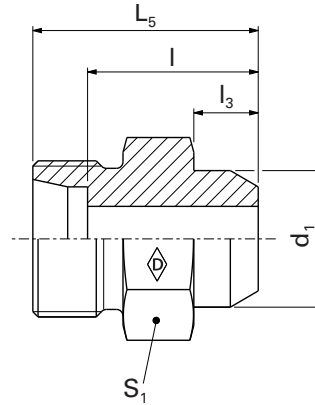


Series	PN bar (psi)	Tube outer diameter	Model	kg/100 pc.	L_2	L_5	I	I_3	d_1	S_1	S_2	Walpro	Walpro stainless steel	
												P-ASV ...	P-ASV ...-1.4571*	
													Art. no.	Art. no.
L	500 (7252)	6	P-ASV 6 L	2.5	29	21	14	7	10	12	14	WAL373491	WAL620204	
		8	P-ASV 8 L	3.6	31	23	16	8	12	14	17	WAL373492	WAL620271	
		10	P-ASV 10 L	4.7	33	25	18	8	14	17	19	WAL373493	WAL620220	
	400 (5801)	12	P-ASV 12 L	6.3	33	25	18	8	16	19	22	WAL373494	WAL620221	
		15	P-ASV 15 L	8.4	37	29	22	10	19	22	27	WAL373495	WAL620222	
		18	P-ASV 18 L	13.9	40	31	23.5	10	22	27	32	WAL373496	WAL620178	
	250 (3626)	22	P-ASV 22 L	18.1	45	36	28.5	12	27	32	36	WAL373497	WAL620208	
		28	P-ASV 28 L	30.2	47	38	30.5	12	32	41	41	WAL373498	WAL620177	
		35	P-ASV 35 L	37.7	54	43	32.5	14	40	46	50	WAL373499	WAL620176	
		42	P-ASV 42 L	64.1	58	46	35	16	46	55	60	WAL373500	WAL620676	
S	800 (11603)	6	P-ASV 6 S	3.2	34	26	19	7	11	14	17	WAL373501	WAL620677	
		8	P-ASV 8 S	4.9	36	28	21	8	13	17	19	WAL373502	WAL620318	
		10	P-ASV 10 S	7.2	39	30	22.5	8	15	19	22	WAL373503	WAL620149	
	630 (9137)	12	P-ASV 12 S	8.3	41	32	24.5	10	17	22	24	WAL373504	WAL620231	
		14	P-ASV 14 S	10.8	45	35	27	10	19	24	27	WAL373505	WAL621459	
		16	P-ASV 16 S	14.4	45	35	26.5	10	21	27	30	WAL373506	WAL620411	
	420 (6091)	20	P-ASV 20 S	21.8	51	40	29.5	12	26	32	36	WAL373507	WAL620396	
		25	P-ASV 25 S	37.7	56	44	32	12	31	41	46	WAL373508	WAL620432	
		30	P-ASV 30 S	44.9	62	49	35.5	14	36	46	50	WAL373509	WAL620678	
		38	P-ASV 38 S	68.4	69	54	38	16	44	55	60	WAL373510	WAL620476	

⚠ Caution: The pressure specifications refer to the steel version. For the stainless steel version (1.4571), please refer to the pressure specifications on page B5.

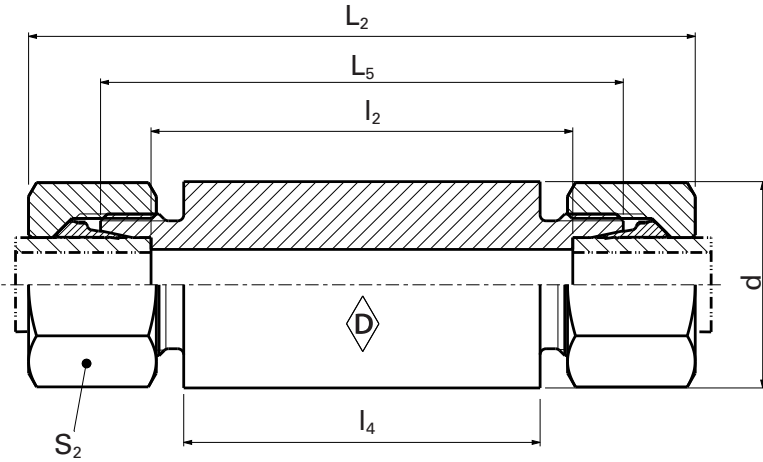
*Complete stainless steel fittings (1.4571) with silver-plated nut (AG/AGP), see price list

L_2 = approximate dimension if the union nut is tightened

ASS ...
ASS ... -1.4571

E

Series	PN bar (psi)	Tube outer diameter	Model	kg/100 pc.	Stud ASS ... Art. no.	Stainless steel stud ASS ... -1.4571* Art. no.	System nuts for supplementing the stud (for technical data, see part D of this catalog)		
							Walring W-R ... VI Art. no.	Walform WF-M ... VI Art. no.	Walform stainless steel WF-M ... VI-1.4571* Art. no.
L	500 (7252)	6	ASS 6L	1.1	WAL037975	WAL061824	WAL624607	WAL625940	WAL625980
		8	ASS 8 L	1.5	WAL037976	WAL066290	WAL624608	WAL625941	WAL625981
		10	ASS 10 L	2.2	WAL037977	WAL024055	WAL624609	WAL625942	WAL625982
	400 (5801)	12	ASS 12 L	2.5	WAL037978	WAL060719	WAL624610	WAL625943	WAL625983
		15	ASS 15 L	4.3	WAL037979	WAL066291	WAL624611	WAL625944	WAL625984
		18	ASS 18 L	6.6	WAL037980	WAL066292	WAL624612	WAL625945	WAL625985
		22	ASS 22 L	9.8	WAL037981	WAL066293	WAL624613	WAL625946	WAL625986
	250 (3626)	28	ASS 28 L	15.9	WAL037982	WAL066294	WAL624614	WAL625947	WAL625987
		35	ASS 35 L	23	WAL037983	WAL066295	WAL624615	WAL625948	WAL625988
		42	ASS 42 L	32.7	WAL037984	WAL066296	WAL624616	WAL625949	WAL625989
S	800 (11603)	6	ASS 6 S	2.1	WAL037985	WAL066297	WAL624617	WAL625950	WAL625990
		8	ASS 8 S	3.1	WAL037986	WAL066298	WAL624618	WAL625951	WAL625991
		10	ASS 10 S	4.1	WAL037987	WAL061333	WAL624619	WAL625952	WAL625992
	630 (9137)	12	ASS 12 S	5.6	WAL037988	WAL066299	WAL624620	WAL625953	WAL625993
		14	ASS 14 S	7.0	WAL037989	WAL066300			
		16	ASS 16 S	8.3	WAL037990	WAL066301	WAL624621	WAL625954	WAL625994
	420 (6091)	20	ASS 20 S	12.9	WAL037991	WAL066302	WAL624622	WAL625955	WAL625995
		25	ASS 25 S	21.9	WAL037992	WAL066303	WAL624623	WAL625956	WAL625996
		30	ASS 30 S	29.5	WAL037993	WAL066304	WAL624624	WAL625957	WAL625997
		38	ASS 38 S	44.7	WAL037994	WAL066305	WAL624625	WAL625958	WAL625998

⚠ Caution: The pressure specifications refer to the steel version. For the stainless steel version (1.4571), please refer to the pressure specifications on page B5.

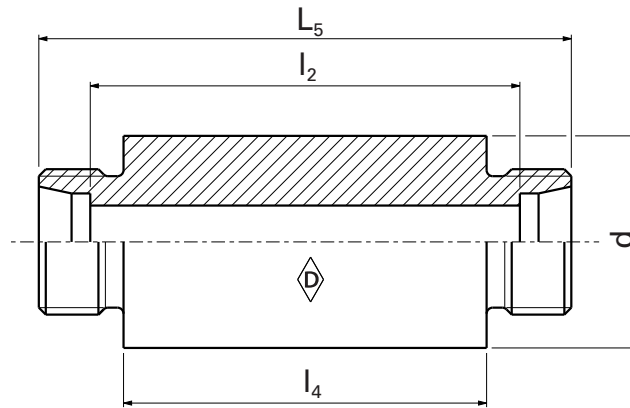
P-ESV ...
P-ESV ...-1.4571
E


Series	PN bar (psi)	Tube outer diameter	Model	kg/100 pc.	L ₂	L ₅	l ₂	l ₄	d ₁	S ₂	Walpro P-ESV ...	Walpro stainless steel P-ESV ...-1.4571*
											Art. no.	Art. no.
L	500 (7252)	6	P-ESV 6 L	13.1	85	70	56	50	18	14	WAL373511	WAL620144
		8	P-ESV 8 L	16.2	85	70	56	50	20	17	WAL373512	WAL620236
		10	P-ESV 10 L	19.5	87	72	58	50	22	19	WAL373513	WAL620145
		12	P-ESV 12 L	24.1	87	72	58	50	25	22	WAL373514	WAL620158
	400 (5801)	15	P-ESV 15 L	35.3	100	84	70	60	28	27	WAL373515	WAL620237
		18	P-ESV 18 L	46.9	101	84	69	60	32	32	WAL373516	WAL620235
		22	P-ESV 22 L	58.2	105	88	73	60	36	36	WAL373517	WAL620238
	250 (3626)	28	P-ESV 28 L	66.0	106	88	73	60	40	41	WAL373518	WAL620488
		35	P-ESV 35 L	102.9	114	92	71	60	50	50	WAL373519	WAL620274
		42	P-ESV 42 L	148.8	115	92	70	60	60	60	WAL373520	WAL620839
S	800 (11603)	6	P-ESV 6 S	16.9	89	74	60	50	20	17	WAL373521	WAL620679
		8	P-ESV 8 S	20.4	89	74	60	50	22	19	WAL373522	WAL620292
		10	P-ESV 10 S	27.0	91	74	59	50	25	22	WAL373523	WAL620680
		12	P-ESV 12 S	33.1	91	74	59	50	28	24	WAL373524	WAL620423
	630 (9137)	14	P-ESV 14 S	44.7	107	88	72	60	30	27	WAL373525	WAL620681
		16	P-ESV 16 S	57.8	107	88	71	60	35	30	WAL373526	WAL620146
		20	P-ESV 20 S	73.2	114	92	71	60	38	36	WAL373527	WAL620002
	420 (6091)	25	P-ESV 25 S	114.6	120	96	72	60	45	46	WAL373528	WAL620001
		30	P-ESV 30 S	134.4	126	100	73	60	50	50	WAL373529	WAL620239
		38	P-ESV 38 S	191.3	133	104	72	60	60	60	WAL373530	WAL620346

⚠ Caution: The pressure specifications refer to the steel version. For the stainless steel version (1.4571), please refer to the pressure specifications on page B5.

*Complete stainless steel fittings (1.4571) with silver-plated nut (AG/AGP), see price list

L₂= approximate dimension if the union nut is tightened

ESS ...
ESS ... -1.4571

E

 System nuts for supplementing the stud
 (for technical data, see part D of this catalog)

Series	PN bar (psi)	Tube outer diameter	Model	kg/100 pc.	Stud ESS ... Art. no.	Stainless steel stud ESS ... -1.4571* Art. no.	System nuts for supplementing the stud (for technical data, see part D of this catalog)		
							Walring W-R ... VI Art. no.	Walform WF-M ... VI Art. no.	Walform stainless steel WF-M ... VI-1.4571* Art. no.
L	500 (7252)	6	ESS 6 L	10.3	WAL037995	WAL061099	WAL624607	WAL625940	WAL625980
		8	ESS 8 L	12.3	WAL037996	WAL067360	WAL624608	WAL625941	WAL625981
		10	ESS 10 L	14.4	WAL037997	WAL061101	WAL624609	WAL625942	WAL625982
		12	ESS 12 L	17.9	WAL037998	WAL060689	WAL624610	WAL625943	WAL625983
	400 (5801)	15	ESS 15 L	26.5	WAL037999	WAL067418	WAL624611	WAL625944	WAL625984
		18	ESS 18 L	33.4	WAL038000	WAL060686	WAL624612	WAL625945	WAL625985
		22	ESS 22 L	39.9	WAL038001	WAL067420	WAL624613	WAL625946	WAL625986
	250 (3626)	28	ESS 28 L	45.1	WAL038002	WAL066897	WAL624614	WAL625947	WAL625987
		35	ESS 35 L	72.2	WAL038003	WAL068958	WAL624615	WAL625948	WAL625988
		42	ESS 42 L	100.7	WAL038004	WAL069205	WAL624616	WAL625949	WAL625989
6		ESS 6 S	13.6	WAL038005	WAL617500	WAL624617	WAL625950	WAL625990	
S	800 (11603)	8	ESS 8 S	16.4	WAL038006	WAL371031	WAL624618	WAL625951	WAL625991
		10	ESS 10 S	20.3	WAL038007	WAL372568	WAL624619	WAL625952	WAL625992
		12	ESS 12 S	25.3	WAL038008	WAL061848	WAL624620	WAL625953	WAL625993
	630 (9137)	14	ESS 14 S	16.8	WAL038009	WAL060319			
		16	ESS 16 S	44.5	WAL038010	WAL061103	WAL624621	WAL625954	WAL625994
		20	ESS 20 S	51.7	WAL038011	WAL024157	WAL624622	WAL625955	WAL625995
	420 (6091)	25	ESS 25 S	72.5	WAL038012	WAL024155	WAL624623	WAL625956	WAL625996
		30	ESS 30 S	87.9	WAL038013	WAL066873	WAL624624	WAL625957	WAL625997
		38	ESS 38 S	125.5	WAL038014	WAL372103	WAL624625	WAL625958	WAL625998

⚠ Caution: The pressure specifications refer to the steel version. For the stainless steel version (1.4571), please refer to the pressure specifications on page B5.

F

Adjustable studs

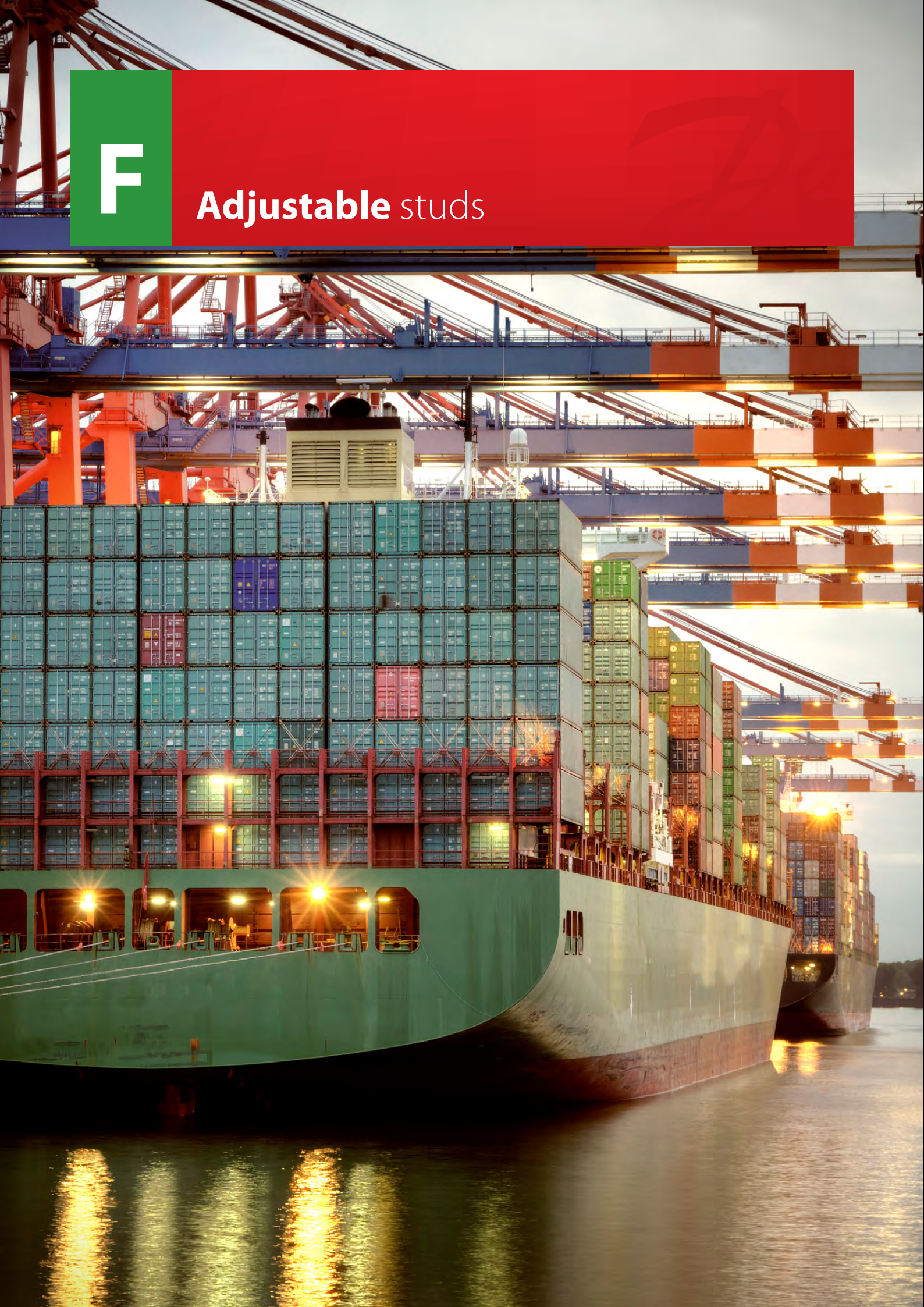


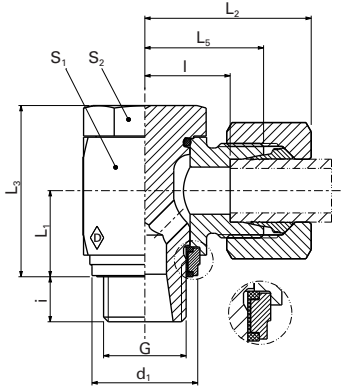
	Figure Fitting	Figure Stud	Model	Page
Banjo coupling elbow fittings / Banjo coupling elbow studs			P-RSWV / RSWS ... R	F3 / F4
			P-RSWV / RSWS ... R-WD	F3 / F4
			P-RSWV / RSWS ... M	F5 / F6
			P-RSWV / RSWS ... M-WD	F5 / F6
			P-RSWV / RSWS ... R-HD-WD	F7 / F8
			P-RSWV / RSWS ... M-HD-WD	F7 / F8
Banjo coupling T fittings / Banjo coupling T studs			P-RSTV / RSTS ... R	F9 / F10
			P-RSTV / RSTS ... R-WD	F9 / F10
			P-RSTV / RSTS ... M	F11 / F12
			P-RSTV / RSTS ... M-WD	F11 / F12
Adjustable elbow fittings / adjustable elbow studs			P-EWV / P-EWS ... -SV	F13 / F14
			P-EWVD / EWSD ...	F15 / F16
			P-EWVD 45 / EWSD 45 ...	F17 / F18
Adjustable T fittings / adjustable T studs			P-ETV / P-ETS ... -SV	F19 / F20
			P-ETVD / ETSD ...	F21 / F22
Adjustable L fittings / adjustable L studs			P-ELV / P-ELS ... -SV	F23 / F24
			P-ELVD / ELSD ...	F25 / F26
Straight male studs			P-EGES ... R-WD-SV	F27
			P-EGES ... M-WD-SV	F29
			EGESD ... R-WD	F28
			EGESD ... M-WD	F30
Spacer fittings / spacer adapters			P-DAV ... / DAS ...	F33 / F34
Straight fittings			SNV ...	F35
Straight fittings Reducer fittings			SNV ... / ... L	F36
			SNV ... / ... S	F37
			SNV ... L / S-S / L	F38

F

Banjo coupling elbow fittings

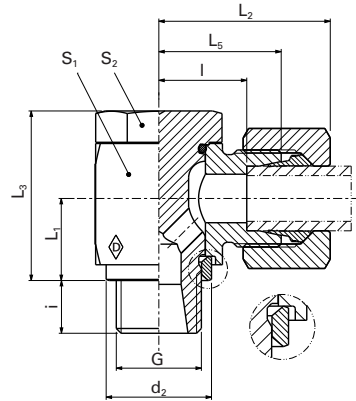
P-RSWV ... R-WD

- Inch studs type E to DIN EN ISO 1179-2
- with soft seal made from NBR** (e.g. Perbunan)



P-RSWV ... R

- Inch studs type B to DIN EN ISO 1179-4
- with metal-to-metal seal



F

Series	PB bar (psi)	Tube outer diameter	DIN-ISO 228 (R.... DIN 259) G	kg/100 pc.	P-RSWV with elastomer seal										P-RSWV with metal-to-metal seal				
					L ₁	L ₂	L ₃	L ₄	L ₅	I	i	d ₁ max.	d ₂	S ₁	S ₂	Model	Art. no.	Model	Art. no.
LL	100 (1450)	4	G 1/8 A	4.0	10	25.5	21	20	16	8			14.5	14	14			S-RSWV 4LLR	WAL607000
		6	G 1/8 A	4.2	10	26	21	20	14.5	8			14.5	14	14			S-RSWV 6LLR	WAL607001
		8	G 1/8 A	5.2	10	26	21	20	16	8			14.5	14	14			S-RSWV 8LLR	WAL607002
L	500 (7252)	6	G 1/8 A	5.9	10	27.5	21	20	13	8	14.9	13	14	14	P-RSWV 6LR-WD	WAL607051	P-RSWV 6LR	WAL607003	
		6	G 1/4 A	5.9	13.5	29.5	27	22	15	10	18.9	17.8	19	19	P-RSWV 6L/R1/4-WD	WAL606501	P-RSWV 6L/R1/4	WAL606502	
		8	G 1/4 A	9.3	13.5	28.5	27	21	14	10	18.9	17.8	19	19	P-RSWV 8LR-WD	WAL607052	P-RSWV 8LR	WAL607004	
		10	G 1/4 A	10.2	13.5	29.5	27	22	15	10	18.9	17.8	19	19	P-RSWV 10LR-WD	WAL607053	P-RSWV 10LR	WAL607005	
		12	G 1/4 A	15.8	15.5	29.5	30	22	15	10	18.9	17.8	22	19	P-RSWV 12L/R1/4-WD	WAL607054	P-RSWV 12L/R1/4	WAL607006	
		12	G 3/8 A	15.9	16	32	32.5	24.5	17.5	10	21.9	22	24	22	P-RSWV 12LR-WD	WAL607055	P-RSWV 12LR	WAL607007	
	400 (5801)	15	G 1/2 A	28.4	19.5	36	43	28	21	14	26.9	26	30	27	P-RSWV 15LR-WD	WAL607056	P-RSWV 15LR	WAL607008	
		18	G 1/2 A	32	21.5	36.5	43	28	20.5	12	26.9	26	30	27	P-RSWV 18LR-WD	WAL607057	P-RSWV 18LR	WAL607009	
		22	G 3/4 A	48.5	24	43	48	34.5	27	16	32.9	32	36	32	P-RSWV 22LR-WD	WAL607058	P-RSWV 22LR	WAL607010	
		28	G 1 A	88.2	30.5	48	59	39	31.5	18	39.9	39	46	41	P-RSWV 28LR-WD	WAL607059	P-RSWV 28LR	WAL607011	
		35	G 1 1/4 A	150.8	35.5	57	70	46	35.5	20	49.9	49	55	50	P-RSWV 35LR-WD	WAL607060	P-RSWV 35LR	WAL607012	
		42	G 1 1/2 A	234.1	40.5	62.5	80	51	40	22	55.9	55	65	55	P-RSWV 42LR-WD	WAL607061	P-RSWV 42LR	WAL607013	
S	500 (7252)	6	G 1/4 A	8.7	13.5	30.5	27	23	16	10	18.9	17.8	19	19	P-RSWV 6SR-WD	WAL607062	P-RSWV 6SR	WAL607014	
		8	G 1/4 A	10.3	13.5	30.5	27	23	16	10	18.9	17.8	19	19	P-RSWV 8SR-WD	WAL607063	P-RSWV 8SR	WAL607015	
		10	G 3/8 A	17	16	34	32.5	25.5	18	10	21.9	22	24	22	P-RSWV 10SR-WD	WAL607064	P-RSWV 10SR	WAL607016	
	400 (5801)	12	G 3/8 A	17.9	16	34	32.5	25.5	18	10	21.9	22	24	22	P-RSWV 12SR-WD	WAL607065	P-RSWV 12SR	WAL607017	
		14	G 1/2 A	30.3	19.5	39.5	41	30	22	12	26.9	26	30	27	P-RSWV 14SR-WD	WAL607066	P-RSWV 14SR	WAL607018	
		16	G 1/2 A	31.6	21.5	39.5	43	30	21.5	12	26.9	26	30	27	P-RSWV 16SR-WD	WAL607067	P-RSWV 16SR	WAL607019	
250 (3626)	20	G 3/4 A	51.8	24	47.5	48	36.5	26	16	32.9	32	36	32	P-RSWV 20SR-WD	WAL607068	P-RSWV 20SR	WAL607020		
	25	G 1 A	103	30.5	55	59	43	31	18	39.9	39	46	41	P-RSWV 25SR-WD	WAL607069	P-RSWV 25SR	WAL607021		
	30	G 1 1/4 A	163.7	35.5	63	70	50	36.5	20	49.9	49	55	50	P-RSWV 30SR-WD	WAL607070	P-RSWV 30SR	WAL607022		
	38	G 1 1/2 A	262.7	40.5	71.5	80	57	41	22	55.9	55	65	55	P-RSWV 38SR-WD	WAL607071	P-RSWV 38SR	WAL607023		

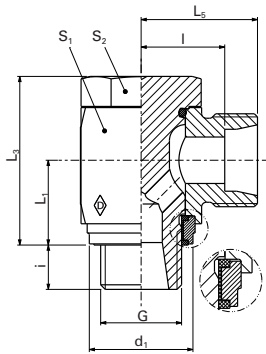
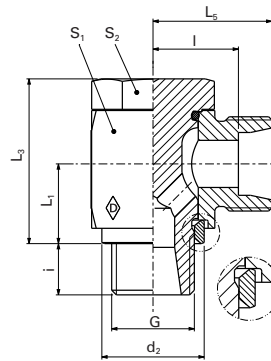
L₂ = approximate dimension if the union nut is tightened
 **For FPM (e.g. Viton) see price list / available on request
 For P-RSWV and RSWV in stainless steel (1.4571), see price list / available on request

Operating pressure

The specified operating pressure ratings (PB) are calculated with a minimum safety factor of 2.5 and represent the maximum permissible operating pressures under predominantly static load conditions and temperatures of up to +120 °C (in the case of steel). Strong pressure surges and mechanical stresses, such as vibrations, require special consideration.

If the version with metal-to-metal sealing edge is used for special applications (e.g. higher temperatures or aggressive media), the banjo bolt O-ring must be removed!

Special parts are available on request.

RSWS ... R-WD

RSWS ... R

F

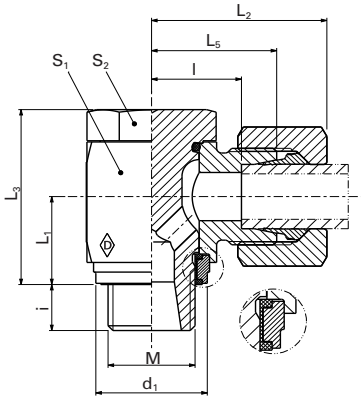
RSWS with elastomer seal		RSWS with metal-to-metal seal		Individual components					
				Body	Banjo bolt with O-ring (NBR)*	O-ring (NBR)*	Captive ring with soft seal (NBR)*		Sealing-edge ring
Model	Art. no.	Model	Art. no.	Art. no.	Art. no.	Dimensions	Art. no.	Art. no.	Art. no.
		RSWS 4LLR	WAL606661	WAL608333	WAL606516	8.5 x 1.5	WAL304288		WAL605824
		RSWS 6LLR	WAL606662	WAL608334	WAL606516	8.5 x 1.5	WAL304288		WAL605824
		RSWS 8LLR	WAL606663	WAL608335	WAL606516	8.5 x 1.5	WAL304288		WAL605824
RSWS 6LR-WD	WAL606364	RSWS 6LR	WAL606664	WAL605763	WAL606516	8.5 x 1.5	WAL304288	WAL606481	WAL605824
RSWS 6L/R1/4-WD	WAL606365	RSWS 6L/R1/4	WAL606665	WAL605764	WAL606519	11 x 2	WAL023492	WAL606482	WAL605740
RSWS 8LR-WD	WAL606366	RSWS 8LR	WAL607323	WAL605766	WAL606519	11 x 2	WAL023492	WAL606482	WAL605740
RSWS 10LR-WD	WAL606367	RSWS 10LR	WAL606508	WAL605768	WAL606519	11 x 2	WAL023492	WAL606482	WAL605740
RSWS 12L/R1/4-WD	WAL606368	RSWS 12L/R1/4	WAL606666	WAL606076	WAL606522	11 x 2	WAL023492	WAL606482	WAL605740
RSWS 12LR-WD	WAL606369	RSWS 12LR	WAL606642	WAL605770	WAL606523	14.5 x 2	WAL605949	WAL606485	WAL606827
RSWS 15LR-WD	WAL606370	RSWS 15LR	WAL607367	WAL605775	WAL606527	19.5 x 2	WAL605951	WAL606488	WAL606831
RSWS 18LR-WD	WAL606371	RSWS 18LR	WAL606667	WAL605777	WAL606527	19.5 x 2	WAL605951	WAL606489	WAL606454
RSWS 22LR-WD	WAL606372	RSWS 22LR	WAL606668	WAL605779	WAL607401	26 x 1.5	WAL605952	WAL606492	WAL605833
RSWS 28LR-WD	WAL606373	RSWS 28LR	WAL606669	WAL605781	WAL607403	31 x 2	WAL250258	WAL606495	WAL605834
RSWS 35LR-WD	WAL606374	RSWS 35LR	WAL606599	WAL605783	WAL607405	40 x 2	WAL261157	WAL606496	WAL605835
RSWS 42LR-WD	WAL606375	RSWS 42LR	WAL606670	WAL605785	WAL607407	46 x 2	WAL605953	WAL606498	WAL605836
RSWS 65R-WD	WAL606376	RSWS 65R	WAL606671	WAL605765	WAL606519	11 x 2	WAL023492	WAL606482	WAL606740
RSWS 85R-WD	WAL606377	RSWS 85R	WAL606672	WAL605767	WAL606519	11 x 2	WAL023492	WAL606482	WAL606740
RSWS 105R-WD	WAL606378	RSWS 105R	WAL606673	WAL605769	WAL606523	14.5 x 2	WAL605949	WAL606485	WAL605827
RSWS 125R-WD	WAL606379	RSWS 125R	WAL606674	WAL605771	WAL606523	14.5 x 2	WAL605949	WAL606485	WAL605827
RSWS 145R-WD	WAL606380	RSWS 145R	WAL606675	WAL605774	WAL606527	19.5 x 2	WAL605951	WAL606488	WAL605831
RSWS 165R-WD	WAL606381	RSWS 165R	WAL606643	WAL605776	WAL606527	19.5 x 2	WAL605951	WAL606489	WAL606454
RSWS 205R-WD	WAL606382	RSWS 205R	WAL606644	WAL605778	WAL607401	26 x 1.5	WAL605952	WAL606492	WAL605833
RSWS 255R-WD	WAL606383	RSWS 255R	WAL607324	WAL605780	WAL607403	31 x 2	WAL250258	WAL606495	WAL605834
RSWS 305R-WD	WAL606384	RSWS 305R	WAL606677	WAL605782	WAL607405	40 x 2	WAL261157	WAL606496	WAL605835
RSWS 385R-WD	WAL606385	RSWS 385R	WAL607326	WAL605784	WAL607407	46 x 2	WAL605953	WAL606498	WAL605836

Special parts are available on request.

Banjo coupling elbow fittings

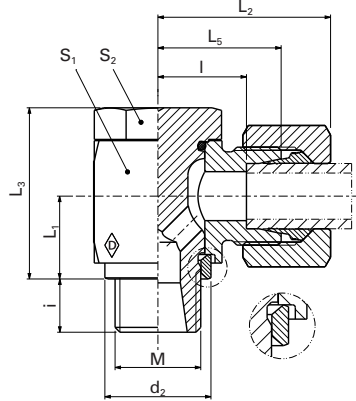
P-RSWV ... M-WD

- Metric stud type E to DIN EN ISO 9974-2
- with soft seal made from NBR* (e.g. Perbunan)



P-RSWV ... M

- Metric stud type B to DIN EN ISO 9974-3
- with metal-to-metal seal



F

Series	PB bar (psi)	Tube outer diameter	M	kg/100 pc.	L ₁	L ₂	L ₃	L ₅	I	i	d ₁ max.	d ₂	S ₁	S ₂	P-RSWV with elastomer seal		P-RSWV with metal-to-metal seal				
															Model	Art. no.	Model	Art. no.			
LL	100 (1450)	4	M 8 x 1	3.4	8	22.5	17	17	13	6		12.5	12	12		P-RSWV 4LLM	WAL607024				
		6	M 10 x 1	4.2	10	26	21	20	14.5	8		14.5	14	14		P-RSWV 6LLM	WAL607025				
		8	M 10 x 1	4.5	10	26	21	20	14.5	8		14.5	14	14		P-RSWV 8LLM	WAL607026				
	500 (7252)	6	M 10 x 1	5.9	10	27.5	21	20	13	8	14.9	13	14	14		P-RSWV 6LM-WD	WAL607075	P-RSWV 6LM	WAL607027		
		8	M 12 x 1.5	9.0	13.5	28.5	27	21	14	10	17.9	17.8	19	19		P-RSWV 8LM-WD	WAL607076	P-RSWV 8LM	WAL607028		
		10	M 14 x 1.5	10.3	13.5	29.5	27	22	15	10	19.9	17.8	19	19		P-RSWV 10LM-WD	WAL607077	P-RSWV 10LM	WAL607029		
	400 (5801)	12	M 16 x 1.5	15.8	16	32	32.5	24.5	17.5	10	21.9	21	24	22		P-RSWV 12LM-WD	WAL607078	P-RSWV 12LM	WAL607030		
		L	315 (4569)	12	M 18 x 1.5	16.9	18.5	34.5	36	27	20	10	23.9	23	24	22		P-RSWV 12L/M18x1.5-WD	WAL607079	P-RSWV 12L/M18x1.5	WAL607031
			400 (5801)	15	M 18 x 1.5	20.9	18.5	35	37	27	20	10	23.9	23	27	24		P-RSWV 15LM-WD	WAL607080	P-RSWV 15LM	WAL607032
18	M 22 x 1.5		31.9	21.5	36.5	43	28	20.5	12	27.9	27	30	27		P-RSWV 18LM-WD	WAL607081	P-RSWV 18LM	WAL607033			
	250 (3626)	22	M 26 x 1.5	48.6	24	43	48	34.5	27	16	31.9	31	36	32		P-RSWV 22LM-WD	WAL607082	P-RSWV 22LM	WAL607034		
		28	M 33 x 2	88.5	30.5	48	59	39	31.5	18	39.9	39	46	41		P-RSWV 28LM-WD	WAL607083	P-RSWV 28LM	WAL607035		
		35	M 42 x 2	151	35.5	57	70	46	35.5	20	49.9	49	55	50		P-RSWV 35LM-WD	WAL607084	P-RSWV 35LM	WAL607036		
	500 (7252)	42	M 48 x 2	234	40.5	62.5	80	51	40	22	55.9	55	65	55		P-RSWV 42LM-WD	WAL607085	P-RSWV 42LM	WAL607037		
		S	6	M 12 x 1.5	8.5	13.5	30.5	27	23	16	10	17.9	17.8	19	19		P-RSWV 6SM-WD	WAL607086	P-RSWV 6SM	WAL607038	
			8	M 14 x 1.5	10.4	13.5	30.5	27	23	16	10	19.9	17.8	19	19		P-RSWV 8SM-WD	WAL607087	P-RSWV 8SM	WAL607039	
10	M 16 x 1.5		16.9	16	34	32.5	25.5	18	10	21.9	21	24	22		P-RSWV 10SM-WD	WAL607088	P-RSWV 10SM	WAL607040			
	400 (5801)	12	M 18 x 1.5	22.2	18.5	35.5	37	27	19.5	10	23.9	23	27	24		P-RSWV 12SM-WD	WAL607089	P-RSWV 12SM	WAL607041		
		14	M 20 x 1.5	28.0	19.5	39.5	41	30	22	12		25	30	27			WAL607090	P-RSWV 14SM	WAL607042		
		16	M 22 x 1.5	32.3	21.5	39.5	43	30	21.5	12	27.9	27	30	27		P-RSWV 16SM-WD	WAL607091	P-RSWV 16SM	WAL607043		
	315 (4569)	20	M 27 x 2	51.9	24	47.5	48	36.5	26	16	32.9	32	36	32		P-RSWV 20SM-WD	WAL607092	P-RSWV 20SM	WAL607044		
		250 (3626)	25	M 33 x 2	103.3	30.5	55	59	43	31	18	39.9	39	46	41		P-RSWV 25SM-WD	WAL607093	P-RSWV 25SM	WAL607045	
			30	M 42 x 2	163.9	35.5	63	70	50	36.5	20	49.9	49	55	50		P-RSWV 30SM-WD	WAL607094	P-RSWV 30SM	WAL607046	
38	M 48 x 2		252.7	40.5	71.5	80	57	41	22	55.9	55	65	55		P-RSWV 38SM-WD	WAL607095	P-RSWV 38SM	WAL607047			

L₂ = approximate dimension if the union nut is tightened

*For FPM (e.g. Viton) see price list / available on request

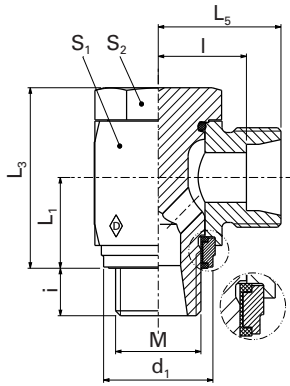
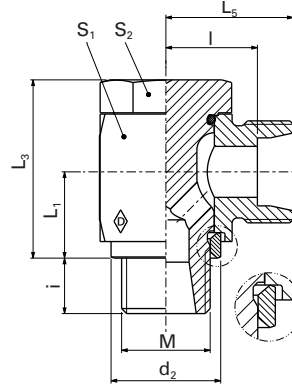
For P-RSWV and RSWV in stainless steel (1.4571), see price list / available on request

Operating pressure

The specified operating pressure ratings (PB) are calculated with a minimum safety factor of 2.5 and represent the maximum permissible operating pressures under predominantly static load conditions and temperatures of up to +120 °C (in the case of steel). Strong pressure surges and mechanical stresses, such as vibrations, require special consideration.

If the version with metal-to-metal sealing edge is used for special applications (e.g. higher temperatures or aggressive media), the banjo bolt O-ring must be removed!

Special parts are available on request.

RSWS ... M-WD

RSWS ... M

F
Individual components

RSWS with elastomer seal		RSWS with metal-to-metal seal		Body	Banjo bolt with O-ring (NBR)*	O-ring (NBR)*	Captive ring with soft seal (NBR)*		Sealing-edge ring
Model	Art. no.	Model	Art. no.	Art. no.	Art. no.	Dimensions	Art. no.	Art. no.	Art. no.
		RSWS 4LLM	WAL606678	WAL608332	WAL606514	6.5 x 1.5	WAL605948		WAL608323
		RSWS 6LLM	WAL607325	WAL608334	WAL606515	8.5 x 1.5	WAL304288		WAL605824
		RSWS 8LLM	WAL606679	WAL608335	WAL606515	8.5 x 1.5	WAL304288		WAL605824
RSWS 6LM-WD	WAL606389	RSWS 6LM	WAL606640	WAL605763	WAL606515	8.5 x 1.5	WAL304288	WAL606481	WAL605824
RSWS 8LM-WD	WAL606390	RSWS 8LM	WAL606680	WAL605766	WAL606517	11 x 2	WAL023492	WAL606483	WAL606739
RSWS 10LM-WD	WAL606391	RSWS 10LM	WAL607321	WAL605768	WAL606518	11 x 2	WAL023492	WAL606484	WAL605825
RSWS 12LM-WD	WAL606392	RSWS 12LM	WAL606681	WAL605770	WAL606520	14.5 x 2	WAL605949	WAL606485	WAL605825
RSWS 12L/M18x 1.5-WD	WAL606393	RSWS 12L/ M18x1.5	WAL606682	WAL607124	WAL606521	14.5 x 2	WAL605949	WAL606500	WAL605830
RSWS 15LM-WD	WAL606394	RSWS 15LM	WAL606683	WAL605773	WAL606524	16.5 x 2	WAL605950	WAL606486	WAL605830
RSWS 18LM-WD	WAL606395	RSWS 18LM	WAL606684	WAL605777	WAL606526	19.5 x 2	WAL605951	WAL606490	WAL605832
RSWS 22LM-WD	WAL606396	RSWS 22LM	WAL606685	WAL605779	WAL607399	26 x 1.5	WAL605952	WAL606491	WAL606455
RSWS 28LM-WD	WAL606397	RSWS 28LM	WAL606686	WAL605781	WAL607402	31 x 2	WAL250258	WAL606495	WAL605834
RSWS 35LM-WD	WAL606398	RSWS 35LM	WAL606687	WAL605783	WAL607404	40 x 2	WAL261157	WAL606496	WAL606825
RSWS 42LM-WD	WAL606399	RSWS 42LM	WAL606688	WAL605785	WAL607406	46 x 2	WAL605953	WAL606498	WAL605836
RSWS 6SM-WD	WAL606400	RSWS 6SM	WAL606689	WAL605765	WAL606517	11 x 2	WAL023492	WAL606483	WAL606739
RSWS 8SM-WD	WAL606401	RSWS 8SM	WAL606690	WAL605767	WAL606518	11 x 2	WAL023492	WAL606484	WAL606825
RSWS 10SM-WD	WAL606402	RSWS 10SM	WAL606691	WAL605769	WAL606520	14.5 x 2	WAL605949	WAL606485	WAL605826
RSWS 12SM-WD	WAL606403	RSWS 12SM	WAL606692	WAL605772	WAL606524	16.5 x 2	WAL605950	WAL606486	WAL605830
		RSWS 14SM	WAL606693	WAL605774	WAL606525	19.5 x 2	WAL605951		WAL605831
RSWS 16SM-WD	WAL606405	RSWS 16SM	WAL606646	WAL605776	WAL606526	19.5 x 2	WAL605951	WAL606490	WAL605832
RSWS 20SM-WD	WAL606406	RSWS 20SM	WAL606694	WAL605778	WAL607400	26 x 1.5	WAL605952	WAL606492	WAL605833
RSWS 25SM-WD	WAL606407	RSWS 25SM	WAL607322	WAL605780	WAL607402	31 x 2	WAL250258	WAL606495	WAL605834
RSWS 30SM-WD	WAL606408	RSWS 30SM	WAL606695	WAL605782	WAL607404	40 x 2	WAL261157	WAL606496	WAL605835
RSWS 38SM-WD	WAL606409	RSWS 38SM	WAL606696	WAL605784	WAL607406	46 x 2	WAL605953	WAL606498	WAL605836

Special parts are available on request.

P-RSWV ... SR-HD-WD

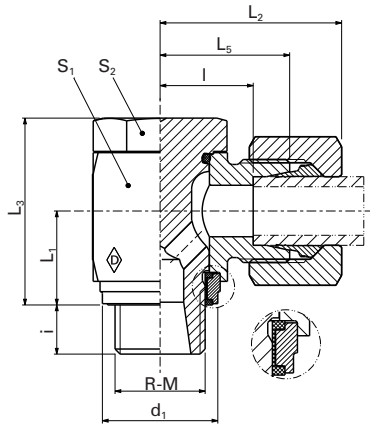
- High-pressure swivel fittings are only available with elastomer seals!
- with soft seal made from NBR* (e.g. Perbunan)
- Inch studs type E to DIN EN ISO 1179-2

P-RSWV ... SM-HD-WD

- with soft seal made from NBR* (e.g. Perbunan)
- Metric stud type E to DIN EN ISO 9974-2

Outer dimensions

Suitable for "narrow" counterbores to DIN 3852



F

												P-RSWV SR/SM-HD-WD with elastomer seal
Series	PB bar (psi)	Thread	Model	L ₂	L ₃	l	i	h	d _{1max}	S ₁	S ₂	Art. no.
S	400 bar	G 1	P-RSWV 25 SR-HD-WD	30.5	59	31	18	3.5	39.9	50	41	WAL608810
		G 1 1/4	P-RSWV 30 SR-HD-WD	35.5	70	36.5	20	3.5	49.9	60	50	WAL608811
		G 1 1/2	P-RSWV 38 SR-HD-WD	40.5	80	41	22	3.5	55.9	70	55	WAL608812
S	400 bar	M 33 x 2	P-RSWV 25 SM-HD-WD	30.5	59	31	18	3.5	39.9	50	41	WAL608813
		M 42 x 2	P-RSWV 30 SM-HD-WD	35.5	70	36.5	20	3.5	49.9	60	50	WAL608814
		M 48 x 2	P-RSWV 38 SM-HD-WD	40.5	80	41	22	3.5	55.9	70	55	WAL608815

L₂ = approximate dimension if the union nut is tightened
 *For FPM (e.g. Viton) see price list / available on request

Installation safety:

- Same degree of protection against excessive tightening as for the standard RSWV
- The soft seal is preloaded inside the body
- The banjo bolt can only be inserted into the body from one side

⚠ Caution: Observe assembly instructions for the RSWV... swivel fittings. See catalog chapter C or the "Assembly instructions" leaflet.

Pressure performance

In the event of a safety factor of 2.5, an operating pressure (PB) of 400 bar is guaranteed.

⚠ Caution: The specified pressure rating represents the maximum permissible operating pressure, assuming a predominantly static load and a temperature of max. +120 °C.

Flow rate

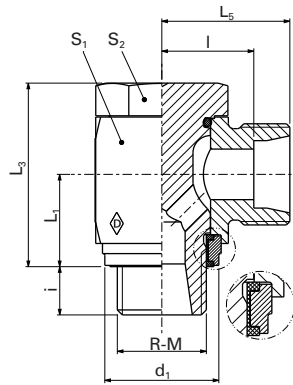
Corresponds to that of the standard RSWV.

Operating pressure

The specified operating pressure ratings (PB) are calculated with a minimum safety factor of 2.5 and represent the maximum permissible operating pressures under predominantly static load conditions and temperatures of up to +120 °C (in the case of steel). Strong pressure surges and mechanical stresses, such as vibrations, require special consideration.

Special parts are available on request.

RSWS ... SR-HD-WD
RSWS ... SM-HD-WD



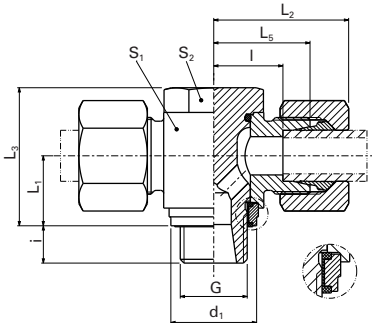
F

Model	Stud RSWS SR/SM-HDWD with elastomer seal	Individual components		
		Body	Banjo bolt	Soft seal
Art. no.	Art. no.	Art. no.	Art. no.	Art. no.
RSWS 25 SR-HD-WD	WAL625035	WAL608830	WAL607403	WAL608800
RSWS 30 SR-HD-WD	WAL626065	WAL608831	WAL607405	WAL608801
RSWS 38 SR-HD-WD	WAL611028	WAL608832	WAL607407	WAL608802
RSWS 25 SM-HD-WD	WAL626066	WAL608830	WAL607402	WAL608800
RSWS 30 SM-HD-WD	WAL626067	WAL608831	WAL607404	WAL608801
RSWS 38 SM-HD-WD	WAL626068	WAL608832	WAL607406	WAL608802

Banjo coupling T fittings

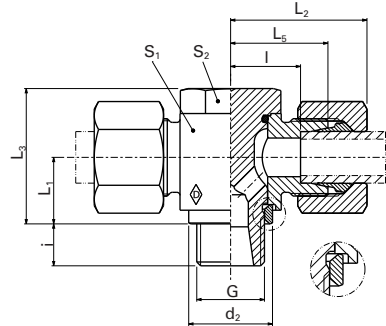
P-RSTV ... R-WD

- Inch studs type E to DIN EN ISO 1179-2
- with soft seal made from NBR* (e.g. Perbunan)



P-RSTV ... R

- Inch studs type B to DIN EN ISO 1179-4
- with metal-to-metal seal



F

Series	PB bar (psi)	Tube outer diameter	DIN-ISO 228 (R... DIN 259) G	kg/100 pc.	L ₁	L ₂	L ₃	L ₄	L ₅	L	I	i	d ₁ max.	d ₂	S ₁	S ₂	P-RSTV with elastomer seal		P-RSTV with metal-to-metal seal	
																	Model	Art. no.	Model	Art. no.
L	500 (7252)	6	G 1/8 A	6.5	10	27.5	21	20	13	8	14.9	13	14	14	P-RSTV 6LR-WD	WAL612523	P-RSTV 6LR	WAL606717		
		8	G 1/4 A	10.0	13.5	28.5	27	21	14	10	18.9	17.8	19	19	P-RSTV 8LR-WD	WAL614820	P-RSTV 8LR	WAL606773		
		10	G 1/4 A	11.0	13.5	29.5	27	22	15	10	18.9	17.8	19	19	P-RSTV 10LR-WD	WAL601151	P-RSTV 10LR	WAL601090		
	400 (5801)	12	G 3/8 A	16.8	16	32	32.5	24.5	17.5	10	21.9	22	24	22	P-RSTV 12LR-WD	WAL611623	P-RSTV 12LR	WAL607978		
		15	G 1/2 A	28.8	19.5	36	43	28	21	14	26.9	26	30	27	P-RSTV 15LR-WD	WAL611985	P-RSTV 15LR	WAL610395		
		18	G 1/2 A	33.7	21.5	36.5	43	28	20.5	12	26.9	26	30	27	P-RSTV 18LR-WD	WAL623392	P-RSTV 18LR	WAL606360		
	250 (3626)	22	G 3/4 A	50.0	24	43	48	34.5	27	16	32.9	32	36	32	P-RSTV 22LR-WD	WAL623393	P-RSTV 22LR	WAL607436		
		28	G 1 A	89.5	30.5	48	59	39	31.5	18	39.9	39	46	41	P-RSTV 28LR-WD	WAL608605	P-RSTV 28LR	WAL607317		
35		G 1 1/4 A	155.8	35.5	57	70	46	35.5	20	49.9	49	55	50	P-RSTV 35LR-WD	WAL611641	P-RSTV 35LR	WAL611642			
		42	G 1 1/2 A	248.3	34	62.5	80	51	40	55.9	55	65	55	P-RSTV 42LR-WD	WAL623394	P-RSTV 42LR	WAL608595			
S	500 (7252)	6	G 1/4 A	10.0	13.5	30.5	27	23	16	10	18.9	17.8	19	19	P-RSTV 6SR-WD	WAL608693	P-RSTV 6SR	WAL608601		
		8	G 1/4 A	11.6	13.5	30.5	27	23	16	10	18.9	17.8	19	19	P-RSTV 8SR-WD	WAL601148	P-RSTV 8SR	WAL607784		
		10	G 3/8 A	18.7	16	34	32.5	25.5	18	10	21.9	22	24	22	P-RSTV 10SR-WD	WAL608682	P-RSTV 10SR	WAL608223		
	400 (5801)	12	G 3/8 A	19.3	16	34	32.5	25.5	18	10	21.9	22	24	22	P-RSTV 12SR-WD	WAL608683	P-RSTV 12SR	WAL607759		
		16	G 1/2 A	34.0	21.5	39.5	43	30	21.5	12	26.9	26	30	27	P-RSTV 16SR-WD	WAL611986	P-RSTV 16SR	WAL607760		
		315 (4569)	20	G 3/4 A	56.0	24	47.5	48	36.5	26	32.9	32	36	32	P-RSTV 20SR-WD	WAL608433	P-RSTV 20SR	WAL607754		
	250 (3626)	25	G 1 A	107.6	30.5	55	59	43	31	18	39.9	39	46	41	P-RSTV 25SR-WD	WAL608979	P-RSTV 25SR	WAL607905		
		30	G 1/4 A	175.3	35.5	63	70	50	36.5	20	49.9	49	55	50	P-RSTV 30SR-WD	WAL610045	P-RSTV 30SR			
		38	G 1/2 A	274.5	40.5	71.5	80	57	41	55.9	55	65	55	P-RSTV 38SR-WD	WAL607954	P-RSTV 38SR	WAL607763			

L₂ = approximate dimension if the union nut is tightened

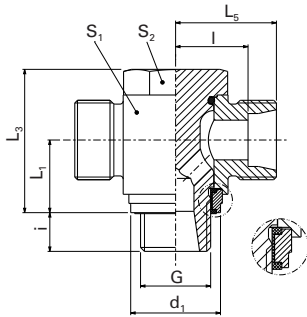
*For FPM (e.g. Viton) see price list / available on request

Operating pressure

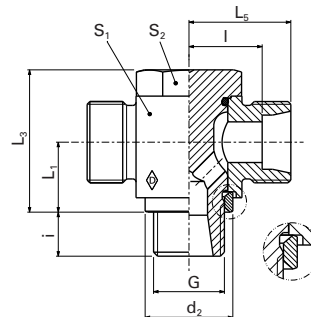
The specified operating pressure ratings (PB) are calculated with a minimum safety factor of 2.5 and represent the maximum permissible operating pressures under predominantly static load conditions and temperatures of up to +120 °C (in the case of steel). Strong pressure surges and mechanical stresses, such as vibrations, require special consideration. If the version with metal-to-metal sealing edge is used for special applications (e.g. higher temperatures or aggressive media), the banjo bolt O-ring must be removed!

Special parts are available on request.

RSTS ... R-WD



RSTS ... R



F

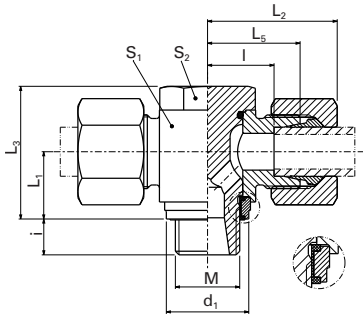
RSTS with elastomer seal		RSTS with metal-to-metal seal		Individual components					
Model	Art. no.	Model	Art. no.	Body	Banjo bolt with O-ring (NBR)*	O-ring (NBR)*	Captive ring with soft seal (NBR)*	Sealing-edge ring	
Model	Art. no.	Model	Art. no.	Art. no.	Art. no.	Dimensions	Art. no.	Art. no.	Art. no.
RSTS 6LR-WD	WAL609870	RSTS 6LR	WAL615526	WAL607341	WAL606516	8.5 x 1.5	WAL304288	WAL606481	WAL605824
RSTS 8LR-WD	WAL606305	RSTS 8LR	WAL601153	WAL607344	WAL606519	11 x 2	WAL023492	WAL606482	WAL606740
RSTS 10LR-WD	WAL609871	RSTS 10LR	WAL613340	WAL607346	WAL606519	11 x 2	WAL023492	WAL606482	WAL606740
RSTS 12LR-WD	WAL609872	RSTS 12LR	WAL607290	WAL607349	WAL606523	14.5 x 2	WAL605949	WAL606485	WAL605827
RSTS 15LR-WD	WAL608193	RSTS 15LR	WAL606641	WAL607354	WAL606527	19.5 x 2	WAL605951	WAL606488	WAL605831
RSTS 18LR-WD	WAL609873	RSTS 18LR	WAL607772	WAL607356	WAL606527	19.5 x 2	WAL605951	WAL606489	WAL605454
RSTS 22LR-WD	WAL607438	RSTS 22LR	WAL615527	WAL307358	WAL607401	26 x 1.5	WAL605952	WAL606492	WAL605833
RSTS 28LR-WD	WAL609874	RSTS 28LR	WAL608289	WAL607360	WAL607403	31 x 2	WAL250258	WAL606495	WAL605834
RSTS 35LR-WD	WAL608195	RSTS 35LR	WAL615528	WAL607362	WAL607405	40 x 2	WAL261157	WAL606496	WAL605835
RSTS 42LR-WD	WAL608196	RSTS 42LR	WAL615529	WAL607364	WAL607407	46 x 2	WAL605953	WAL606498	WAL605836
RSTS 6SR-WD	WAL615520	RSTS 6SR	WAL615530	WAL607343	WAL606519	11 x 2	WAL023492	WAL606482	WAL606740
RSTS 8SR-WD	WAL608191	RSTS 8SR	WAL607435	WAL607345	WAL606519	11 x 2	WAL023492	WAL606482	WAL606740
RSTS 10SR-WD	WAL615521	RSTS 10SR	WAL607365	WAL607347	WAL606523	14.5 x 2	WAL605949	WAL606485	WAL605827
RSTS 12SR-WD	WAL608192	RSTS 12SR	WAL615531	WAL607350	WAL606523	14.5 x 2	WAL605949	WAL606485	WAL605827
RSTS 16SR-WD	WAL615522	RSTS 16SR	WAL624205	WAL607355	WAL606527	19.5 x 2	WAL606951	WAL606489	WAL606454
RSTS 20SR-WD	WAL615523	RSTS 20SR	WAL615533	WAL607357	WAL607401	26 x 1.5	WAL605952	WAL606492	WAL605833
RSTS 25SR-WD	WAL615524	RSTS 25SR	WAL615534	WAL607359	WAL607403	31 x 2	WAL250258	WAL606495	WAL605834
RSTS 30SR-WD	WAL615525	RSTS 30SR	WAL615535	WAL607361	WAL607405	40 x 2	WAL261157	WAL606496	WAL605835
RSTS 38SR-WD	WAL612599	RSTS 38SR	WAL607958	WAL607363	WAL607407	46 x 2	WAL605953	WAL606498	WAL605836

Special parts are available on request.

Banjo coupling T fittings

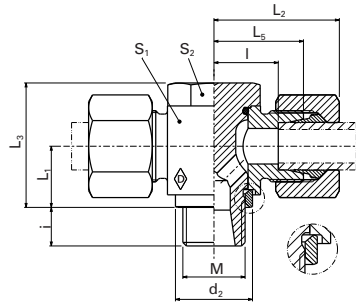
P-RSTV ... M-WD

- Metric stud type E to DIN EN ISO 9974-2
- with soft seal made from NBR* (e.g. Perbunan)



P-RSTV ... M

- Metric stud type B to DIN EN ISO 9974-3
- with metal-to-metal seal



Series	PB bar (psi)	Tube outer diameter	M	kg/100 pc.	P-RSTV with elastomer seal										P-RSTV with metal-to-metal seal			
					L ₁	L ₂	L ₃	L ₄	L ₅	L	I	d ₁ max.	d ₂	S ₁	S ₂	Model	Art. no.	Model
L	500 (7252)	6	M 10 x 1	6.5	10	27.5	21	20	13	8	14.9	13	14	14	P-RSTV 6LM-WD	WAL608490	P-RSTV 6LM	WAL607620
		8	M 12 x 1.5	9.6	13.5	28.5	27	21	14	10	17.9	17.8	19	19	P-RSTV 8LM-WD	WAL609972	P-RSTV 8LM	WAL608277
		10	M 14 x 1.5	11.1	13.5	29.5	27	22	15	10	19.9	17.8	19	19	P-RSTV 10LM-WD	WAL608318	P-RSTV 10LM	WAL608278
	400 (5801)	12	M 16 x 1.5	16.7	16	32	32.5	24.5	17.5	10	21.9	21	24	22	P-RSTV 12LM-WD	WAL609948	P-RSTV 12LM	WAL607430
		15	M 18 x 1.5	21.3	18.5	35	37	27	20	10	23.9	23	27	24	P-RSTV 15LM-WD	WAL612019	P-RSTV 15LM	WAL607938
		18	M 22 x 1.5	33.6	21.5	36.5	43	28	20.5	12	27.9	27	30	27	P-RSTV 18LM-WD	WAL613149	P-RSTV 18LM	WAL606831
	250 (3626)	22	M 26 x 1.5	50.2	24	43	48	34.5	27	16	31.9	31	36	32	P-RSTV 22LM-WD	WAL623380	P-RSTV 22LM	WAL610416
		28	M 33 x 2	89.9	30.5	48	59	39	31.5	18	39.9	39	46	41	P-RSTV 28LM-WD	WAL623381	P-RSTV 28LM	
		35	M 42 x 2	156	35.5	57	70	46	35.5	20	49.9	49	55	50	P-RSTV 35LM-WD	WAL623382	P-RSTV 35LM	
		42	M 48 x 2	248.1	40.5	62.5	80	51	40	22	55.9	55	65	55	P-RSTV 42LM-WD	WAL623383	P-RSTV 42LM	WAL608236
S	500 (7252)	6	M 12 x 1.5	9.8	13.5	30.5	27	23	16	10	17.9	17.8	19	19	P-RSTV 6SM-WD	WAL623384	P-RSTV 6SM	WAL608225
		8	M 14 x 1.5	11.7	13.5	30.5	27	23	16	10	19.9	17.8	19	19	P-RSTV 8SM-WD	WAL623385	P-RSTV 8SM	WAL601091
		10	M 16 x 1.5	18.7	16	34	32.5	25.5	18	10	21.9	21	24	22	P-RSTV 10SM-WD	WAL623386	P-RSTV 10SM	
	400 (5801)	12	M 18 x 1.5	22.7	18.5	35.5	37	27	19.5	10	23.9	23	27	24	P-RSTV 12SM-WD	WAL607449	P-RSTV 12SM	WAL607907
		16	M 22 x 1.5	34.7	21.5	39.5	43	30	21.5	12	27.9	27	30	27	P-RSTV 16SM-WD	WAL623387	P-RSTV 16SM	
	315 (4569)	20	M 27 x 2	54.3	24	47.5	48	36.5	26	16	32.9	32	36	32	P-RSTV 20SM-WD	WAL623388	P-RSTV 20SM	WAL607952
		25	M 33 x 2	108	30.5	55	59	43	31	18	39.9	39	46	41	P-RSTV 25SM-WD	WAL623389	P-RSTV 25SM	WAL613354
250 (3626)	30	M 42 x 2	175.5	35.5	63	70	50	36.5	20	49.9	49	55	50	P-RSTV 30SM-WD	WAL623390	P-RSTV 30SM		
	38	M 48 x 2	264.5	40.5	71.5	80	57	41	22	55.9	55	65	55	P-RSTV 38SM-WD	WAL623391	P-RSTV 38SM	WAL623319	

L₂ = approximate dimension if the union nut is tightened

*For FPM (e.g. Viton) see price list / available on request

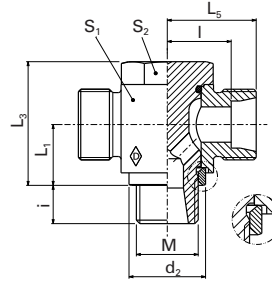
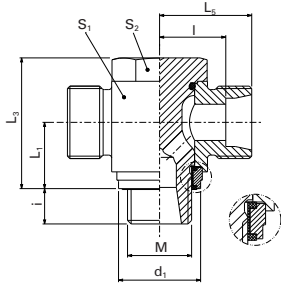
Operating pressure

The specified operating pressure ratings (PB) are calculated with a minimum safety factor of 2.5 and represent the maximum permissible operating pressures under predominantly static load conditions and temperatures of up to +120 °C (in the case of steel). Strong pressure surges and mechanical stresses, such as vibrations, require special consideration.

If the version with metal-to-metal sealing edge is used for special applications (e.g. higher temperatures or aggressive media), the banjo bolt O-ring must be removed!

RSTS ... M-WD

RSTS ... M



F

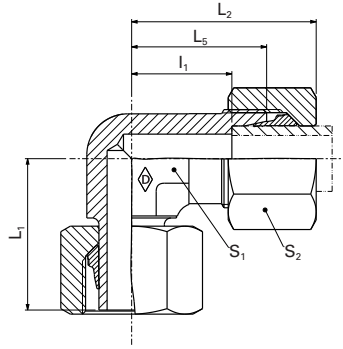
RSTS with elastomer seal		RSTS with metal-to-metal seal		Individual components					
Model	Art. no.	Model	Art. no.	Body	Banjo bolt with O-ring (NBR)*	O-ring (NBR)*	Captive ring with soft seal (NBR)*	Sealing-edge ring	
Model	Art. no.	Model	Art. no.	Art. no.	Art. no.	Dimensions	Art. no.	Art. no.	Art. no.
RSTS 6LM-WD	WAL615536	RSTS 6LM	WAL609780	WAL607341	WAL606515	8.5 x 1.5	WAL304288	WAL606481	WAL605824
RSTS 8LM-WD	WAL612600	RSTS 8LM	WAL606718	WAL607344	WAL606517	11 x 2	WAL023492	WAL606483	WAL606739
RSTS 10LM-WD	WAL611676	RSTS 10LM	WAL608274	WAL607346	WAL606518	11 x 2	WAL023492	WAL606484	WAL605825
RSTS 12LM-WD	WAL615537	RSTS 12LM	WAL606719	WAL607349	WAL606520	14.5 x 2	WAL605949	WAL606485	WAL605826
RSTS 15LM-WD	WAL615538	RSTS 15LM	WAL615547	WAL607352	WAL606524	16.5 x 2	WAL605950	WAL606486	WAL605830
RSTS 18LM-WD	WAL615539	RSTS 18LM	WAL606762	WAL607356	WAL606526	19.5 x 2	WAL605951	WAL606490	WAL605832
RSTS 22LM-WD	WAL615540	RSTS 22LM	WAL615548	WAL607358	WAL607399	26 x 1.5	WAL605952	WAL606491	WAL606455
RSTS 28LM-WD	WAL608194	RSTS 28LM	WAL607957	WAL607360	WAL607402	31 x 2	WAL250258	WAL606495	WAL605834
RSTS 35LM-WD	WAL608308	RSTS 35LM	WAL615549	WAL607362	WAL607404	40 x 2	WAL261157	WAL606496	WAL605835
RSTS 42LM-WD	WAL615541	RSTS 42LM	WAL615550	WAL607364	WAL607406	46 x 2	WAL605953	WAL606498	WAL605836
RSTS 6SM-WD	WAL615542	RSTS 6SM	WAL615551	WAL607343	WAL606517	11 x 2	WAL023492	WAL606483	WAL606739
RSTS 8SM-WD	WAL607568	RSTS 8SM	WAL615552	WAL607345	WAL606518	11 x 2	WAL023492	WAL606484	WAL605825
RSTS 10SM-WD	WAL615543	RSTS 10SM	WAL615553	WAL607347	WAL606520	14.5 x 2	WAL605949	WAL606485	WAL605826
RSTS 12SM-WD	WAL601136	RSTS 12SM	WAL615554	WAL607351	WAL606524	14.5 x 2	WAL605949	WAL606486	WAL605830
RSTS 16SM-WD	WAL608307	RSTS 16SM	WAL608298	WAL607355	WAL606526	19.5 x 2	WAL606951	WAL606490	WAL605832
RSTS 20SM-WD	WAL615544	RSTS 20SM	WAL615555	WAL607357	WAL607400	26 x 1.5	WAL605952	WAL606492	WAL605833
RSTS 25SM-WD	WAL615545	RSTS 25SM	WAL615556	WAL607359	WAL607402	31 x 2	WAL250258	WAL606495	WAL605834
RSTS 30SM-WD	WAL608324	RSTS 30SM	WAL615557	WAL607361	WAL607404	40 x 2	WAL261157	WAL606496	WAL605835
RSTS 38SM-WD	WAL615546	RSTS 38SM	WAL615558	WAL607363	WAL607406	46 x 2	WAL605953	WAL606498	WAL605836

Special parts are available on request.

P-EWV ... -SV

P-EWV ... -SV-1.4571

- with pre-assembled standpipe



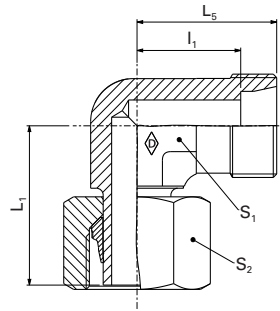
F

												Walpro P-EWV... SV	Walpro Stainless steel (1.4571) P-EWV ... SV-1.4571*
Series	PN bar (psi)	Tube outer diameter	Model	kg/ 100 pc.	L ₁	L ₂	L ₅	I ₅	S ₁	S ₂	Art. no.	Art. no.	
L	500 (7252)	6	P-EWV 6 L-SV	3.6	26	27	19	12	12	14	WAL373636	WAL620232	
		8	P-EWV 8 L-SV	5.0	27.5	29	21	14	12	17	WAL373637	WAL620372	
		10	P-EWV 10 L-SV	6.9	29	30	22	15	14	19	WAL373638	WAL620268	
	400 (5801)	12	P-EWV 12 L-SV	9.2	29.5	32	24	17	17	22	WAL373639	WAL620226	
		15	P-EWV 15 L-SV	15.4	32.5	36	28	21	19	27	WAL373640	WAL620340	
		18	P-EWV 18 L-SV	22.5	35.5	40	31	23.5	24	32	WAL373641	WAL620508	
250 (3626)	22	P-EWV 22 L-SV	30.4	38.5	44	35	27.5	27	36	WAL373642	WAL620280		
	28	P-EWV 28 L-SV	42.6	41.5	47	38	30.5	36	41	WAL373643	WAL620337		
S	800 (11603)	6	P-EWV 6 S-SV	5.8	27	31	23	16	12	17	WAL373646	WAL620330	
		8	P-EWV 8 S-SV	7.0	27.5	32	24	17	14	19	WAL373647	WAL620465	
		10	P-EWV 10 S-SV	11.2	30	34	25	17.5	17	22	WAL373648	WAL620319	
	630 (9137)	12	P-EWV 12 S-SV	13.8	31	38	29	21.5	27	24	WAL373649	WAL620320	
		14	P-EWV 14 S-SV	19.0	35	40	30	22	19	27	WAL373650	WAL620542	
		16	P-EWV 16 S-SV	23.8	36.5	43	33	24.5	24	30	WAL373651	WAL620248	

⚠ Caution: The pressure specifications refer to the steel version. For the stainless steel version (1.4571), please refer to the pressure specifications on page B5.

*Complete stainless steel fittings (1.4571) with silver-plated nut (AG/AGP), see price list

L₂= approximate dimension if the union nut is tightened

P-EWS ... -SV
P-EWS ... -SV-1.4571

F

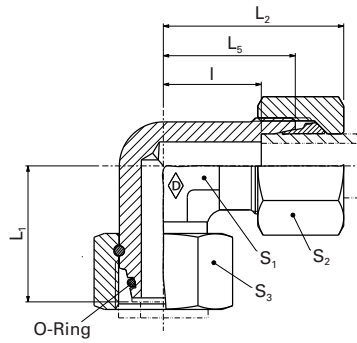
Series	PN bar (psi)	Tube outer diameter	Model	kg/ 100 pc.	Art. no.	Art. no.	System nuts for supplementing the stud (for technical data, see part D of this catalog)		
							Stud P-EWS ... -SV	Stud Stainless steel (1.4571) P-EWS... SV-1.4571*	Walring W-R ... VI
L	500 (7252)	6	P-EWS 6 L-SV	2.5	WAL602582	WAL621226	WAL624607	WAL625940	WAL625980
		8	P-EWS 8 L-SV	4	WAL602579	WAL621227	WAL624608	WAL625941	WAL625981
		10	P-EWS 10 L-SV	5	WAL374926	WAL620332	WAL624609	WAL625942	WAL625982
	400 (5801)	12	P-EWS 12 L-SV	7.5	WAL374927	WAL620651	WAL624610	WAL625943	WAL625983
		15	P-EWS 15 L-SV	12.5	WAL374928	WAL620604	WAL624611	WAL625944	WAL625984
		18	P-EWS 18 L-SV	17.5	WAL602501	WAL620336	WAL624612	WAL625945	WAL625985
250 (3626)	22	P-EWS 22 L-SV	23	WAL602464	WAL620380	WAL624613	WAL625946	WAL625986	
	28	P-EWS 28 L-SV	34.5	WAL602465	WAL621228	WAL624614	WAL625947	WAL625987	
S	800 (11603)	6	P-EWS 6 S-SV	4.5	WAL602696	WAL620594	WAL624617	WAL625950	WAL625990
		8	P-EWS 8 S-SV	6	WAL602881	WAL620655	WAL624618	WAL625951	WAL625991
		10	P-EWS 10 S-SV	8.5	WAL602697	WAL621230	WAL624619	WAL625952	WAL625992
	630 (9137)	12	P-EWS 12 S-SV	8.5	WAL602593	WAL621231	WAL624620	WAL625953	WAL625993
		14	P-EWS 14 S-SV	13.9	WAL604826	WAL621232			
		16	P-EWS 16 S-SV	16.5	WAL602698	WAL620321	WAL624621	WAL625954	WAL625994

⚠ Caution: The pressure specifications refer to the steel version. For the stainless steel version (1.4571), please refer to the pressure specifications on page B5.

P-EWVD ...

P-EWVD ...-1.4571

- with taper and O-ring made from NBR* (e.g. Perbunan) for steel
- with taper and O-ring made from FKM (e.g. Viton) for stainless steel (1.4571)



F

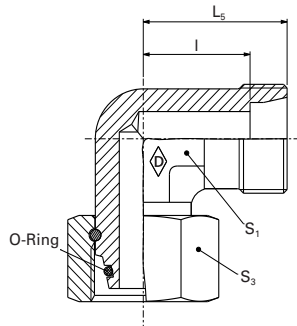
Series	PN bar (psi)	Tube outer diameter	Model	kg/ 100 pc.	L ₁	L ₂	L ₅	I	S ₁	S ₂	S ₃	*O-ring	Walpro	Walpro	
													P-EWVD...	Stainless steel (1.4571) P-EWVD ...-1.4571**	
														Art. no.	Art. no.
L	500 (7252)	6	P-EWVD 6 L	5.8	26	29	21	14	12	14	17	4.5 x 1.5	WAL374555	WAL621326	
		8	P-EWVD 8 L	6.6	27.5	29	21	14	12	17	17	6 x 1.5	WAL374556	WAL621327	
		10	P-EWVD 10 L	8.7	29	30	22	15	14	19	19	8.5 x 1.5	WAL374557	WAL621328	
	400 (5801)	12	P-EWVD 12 L	11.3	29.5	32	24	17	17	22	22	10 x 1.5	WAL372992	WAL621329	
		15	P-EWVD 15 L	15.6	32.5	36	28	21	19	27	27	12 x 2	WAL374558	WAL621330	
		18	P-EWVD 18 L	22.9	35.5	40	31	23.5	24	32	32	15 x 2	WAL374559	WAL621331	
	250 (3626)	22	P-EWVD 22 L	30.7	38.5	44	35	27.5	27	36	36	20 x 2	WAL374560	WAL621332	
		28	P-EWVD 28 L	43.1	41.5	47	38	30.5	36	41	46	26 x 2	WAL374561	WAL621333	
		35	P-EWVD 35 L	65.4	51	56	45	34.5	41	50	50	32 x 2.5	WAL374562	WAL621334	
	S	800 (11603)	42	P-EWVD 42 L	100.5	56	63	51	40	50	60	60	38 x 2.5	WAL374563	WAL621335
			6	P-EWVD 6 S	7.2	27	31	23	16	12	17	17	4.5 x 1.5	WAL374564	WAL621336
			8	P-EWVD 8 S	9.1	27.5	32	24	17	14	19	19	6 x 1.5	WAL374565	WAL621337
630 (9137)		10	P-EWVD 10 S	12.1	30	34	25	17.5	17	22	22	8.5 x 1.5	WAL374566	WAL621338	
		12	P-EWVD 12 S	14.8	31	38	29	21.5	22	24	24	10 x 1.5	WAL374567	WAL620589	
		14	P-EWVD 14 S	19.3	35	40	30	22	19	27	27	12 x 2	WAL374568		
420 (6091)		16	P-EWVD 16 S	24.2	36.5	43	33	24.5	24	30	30	14 x 2	WAL374569	WAL621340	
		20	P-EWVD 20 S	36.6	44.5	48	37	26.5	27	36	36	17.3 x 2.4	WAL374570	WAL621341	
		25	P-EWVD 25 S	72.7	50	54	42	30	36	46	46	22.3 x 2.4	WAL374571	WAL621342	
		30	P-EWVD 30 S	97.3	55	62	49	35.5	41	50	50	27.3 x 2.4	WAL374572	WAL621343	
400 (5801)	38	P-EWVD 38 S	139.1	63	72	57	41	50	60	60	35 x 2.5	WAL374573	WAL621344		

⚠ Caution: The pressure specifications refer to the steel version. For the stainless steel version (1.4571), please refer to the pressure specifications on page B5.

**Complete stainless steel fittings (1.4571) with silver-plated nut (AG/AGP), see price list

L₂ = approximate dimension if the union nut is tightened

*For FPM (e.g. Viton) see price list / available on request

EWSD ...
EWSD ... -1.4571

F

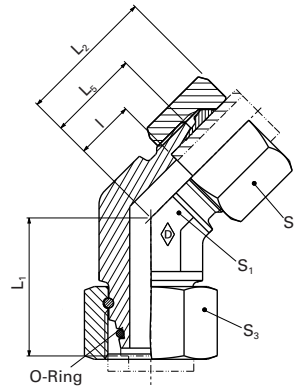
 System nuts for supplementing the stud
 (for technical data, see part D of this catalog)

Series	PN bar (psi)	Tube outer diameter	Model	kg/100 pc.	Art. no.	Art. no.	Art. no.	Art. no.	Art. no.	Stud	Stud	Walring	Walform	Walform
										EWSD ...	Stainless steel (1.4571) EWSD ... VI -1.4571	W-R ... VI	WF-M ... VI	Stainless steel (1.4571) WF-M ... VI -1.4571**
L	500 (7252)	6	EWSD 6 L	6.0	WAL063877	WAL618224	WAL624607	WAL625940	WAL625980					
		8	EWSD 8 L	6.0	WAL063878	WAL618225	WAL624608	WAL625941	WAL625981					
		10	EWSD 10 L	7.5	WAL063879	WAL618226	WAL624609	WAL625942	WAL625982					
	400 (5801)	12	EWSD 12 L	11.0	WAL063880	WAL618227	WAL624610	WAL625943	WAL625983					
		15	EWSD 15 L	12.0	WAL063881	WAL618228	WAL624611	WAL625944	WAL625984					
		18	EWSD 18 L	18.0	WAL063882	WAL618229	WAL624612	WAL625945	WAL625985					
		22	EWSD 22 L	24.0	WAL063883	WAL618230	WAL624613	WAL625946	WAL625986					
	250 (3626)	28	EWSD 28 L	42.0	WAL063884	WAL618231	WAL624614	WAL625947	WAL625987					
		35	EWSD 35 L	55.5	WAL063885	WAL618232	WAL624615	WAL625948	WAL625988					
		42	EWSD 42 L	84.5	WAL063886	WAL618233	WAL624616	WAL625949	WAL625989					
S	800 (11603)	6	EWSD 6 S	6.0	WAL063887	WAL618234	WAL624617	WAL625950	WAL625990					
		8	EWSD 8 S	8.5	WAL063888	WAL618235	WAL624618	WAL625951	WAL625991					
		10	EWSD 10 S	12.0	WAL063889	WAL618236	WAL624619	WAL625952	WAL625992					
	630 (9137)	12	EWSD 12 S	11.0	WAL063890	WAL605365	WAL624620	WAL625953	WAL625993					
		14	EWSD 14 S	14.5	WAL063891	WAL606246								
		16	EWSD 16 S	19.0	WAL063892	WAL618237	WAL624621	WAL625954	WAL625994					
	420 (6091)	20	EWSD 20 S	29.5	WAL063893	WAL067826	WAL624622	WAL625955	WAL625995					
		25	EWSD 25 S	53.5	WAL063894	WAL606247	WAL624623	WAL625956	WAL625996					
	400 (5801)	30	EWSD 30 S	72.0	WAL063895	WAL606248	WAL624624	WAL625957	WAL625997					
		38	EWSD 38 S	106.0	WAL063896	WAL618238	WAL624625	WAL625958	WAL625998					

⚠ Caution: The pressure specifications refer to the steel version. For the stainless steel version (1.4571), please refer to the pressure specifications on page B5.

P-EWVD 45 ...

- with taper and O-ring made from NBR* (e.g. Perbunan)



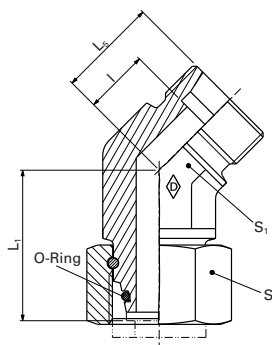
F

Walpro
P-EWVD 45 ...

Series	PN bar (psi)	Tube outer diameter	Model	L ₁	L ₂	L ₃	S ₁	S ₂	*O-ring	Art. no.
L	500 (7252)	6	P-EWVD 45 6 L	26.0	16.0	9.0	14	17	4.5 x 1.5	WAL625819
		8	P-EWVD 45 8 L	27.5	19.0	12.0	14	17	6 x 1.5	WAL625820
		10	P-EWVD 45 10 L	29.0	19.0	12.0	19	19	8.5 x 1.5	WAL625821
	400 (5801)	12	P-EWVD 45 12 L	29.5	21.0	14.0	19	22	10 x 1.5	WAL625822
		15	P-EWVD 45 15 L	32.5	24.0	17.0	22	27	12 x 2	WAL625823
		18	P-EWVD 45 18 L	35.5	24.0	16.5	27	32	15 x 2	WAL625824
		22	P-EWVD 45 22 L	38.5	26.5	18.5	30	36	20 x 2	WAL625825
		28	P-EWVD 45 28 L	41.5	30.5	23.0	36	46	26 x 2	WAL625826
	250 (3626)	35	P-EWVD 45 35 L	51.0	37.0	26.5	50	50	32 x 2.5	WAL625827
		42	P-EWVD 45 42 L	56.0	37.0	26.0	50	60	38 x 2.5	WAL625828
S	800 (11603)	6	P-EWVD 45 6 S	27.0	16.0	9.0	14	17	4.5 x 1.5	WAL625829
		8	P-EWVD 45 8 S	27.5	19.0	12.0	19	19	6 x 1.5	WAL625830
		10	P-EWVD 45 10 S	30.0	21.0	13.5	19	22	8.5 x 1.5	WAL625831
	630 (9137)	12	P-EWVD 45 12 S	31.0	24.0	16.5	22	24	10 x 1.5	WAL625832
		16	P-EWVD 45 16 S	36.5	24.0	15.5	27	30	14 x 2	WAL625833
	420 (6091)	20	P-EWVD 45 20 S	44.5	26.5	16.0	30	36	17.3 x 2.4	WAL625834
		25	P-EWVD 45 25 S	50.5	30.5	18.5	36	46	22.3 x 2.4	WAL625835
	400 (5801)	30	P-EWVD 45 30 S	55.0	37.0	23.5	50	50	27.3 x 2.4	WAL625836
38		P-EWVD 45 38 S	63.0	37.0	21.0	50	60	35 x 2.5	WAL625837	

L₂ = approximate dimension if the union nut is tightened

*For FPM (e.g. Viton) see price list / available on request

EWSD 45 ...

F

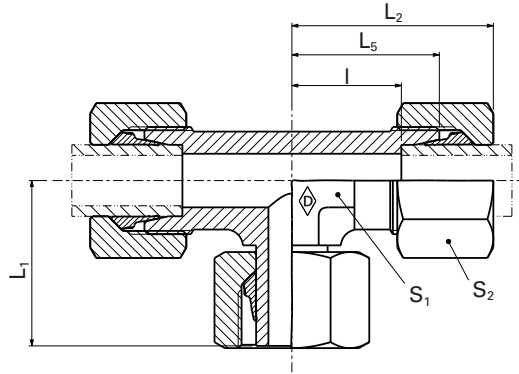
				System nuts for supplementing the stud (for technical data, see part D of this catalog)		
				Stud EWSD 45 ...	Walring W-R ... VI	Walform WF-M ... VI
Series	PN bar (psi)	Tube outer diameter	Model	Art. no.	Art. no.	Art. no.
L	500 (7252)	6	EWSD 45 6 L	WAL625761	WAL624607	WAL625940
		8	EWSD 45 8 L	WAL625762	WAL624608	WAL625941
		10	EWSD 45 10 L	WAL625763	WAL624609	WAL625942
		12	EWSD 45 12 L	WAL625764	WAL624610	WAL625943
		15	EWSD 45 15 L	WAL625765	WAL624611	WAL625944
	400 (5801)	18	EWSD 45 18 L	WAL625766	WAL624612	WAL625945
		22	EWSD 45 22 L	WAL625767	WAL624613	WAL625946
		28	EWSD 45 28 L	WAL625768	WAL624614	WAL625947
		35	EWSD 45 35 L	WAL625769	WAL624615	WAL625948
		42	EWSD 45 42 L	WAL625770	WAL624616	WAL625949
S	800 (11603)	6	EWSD 45 6 S	WAL625771	WAL624617	WAL625950
		8	EWSD 45 8 S	WAL625772	WAL624618	WAL625951
		10	EWSD 45 10 S	WAL625773	WAL624619	WAL625952
	630 (9137)	12	EWSD 45 12 S	WAL625774	WAL624620	WAL625953
		16	EWSD 45 16 S	WAL625775	WAL624621	WAL625954
	420 (6091)	20	EWSD 45 20 S	WAL625776	WAL624622	WAL625955
		25	EWSD 45 25 S	WAL625777	WAL624623	WAL625956
	400 (5801)	30	EWSD 45 30 S	WAL625778	WAL624624	WAL625957
		38	EWSD 45 38 S	WAL625779	WAL624625	WAL625958

Special parts are available on request.

P-ETV ... -SV

P-ETV ...SV-1.4571

- with pre-assembled standpipe



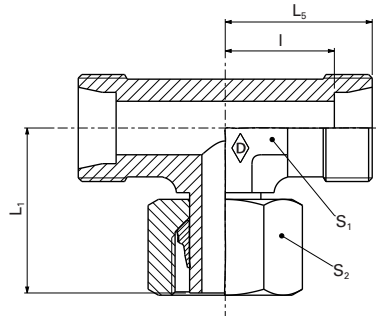
F

												Walpro P-ETV ... -SV	
												Walpro Stainless steel (1.4571) P-ETV ... -SV 1.4571*	
Series	PN bar (psi)	Tube outer diameter	Model	kg/ 100 pc.	L ₁	L ₂	L ₅	l	S ₁	S ₂	Art. no.	Art. no.	
L	500 (7252)	6	P-ETV 6 L-SV	5.3	26	27	19	12	12	14	WAL373676	WAL620329	
		8	P-ETV 8 L-SV	7.4	27.5	29	21	14	12	17	WAL373677	WAL620341	
		10	P-ETV 10 L-SV	10.4	29	30	22	15	14	19	WAL373678	WAL620436	
	400 (5801)	12	P-ETV 12 L-SV	13.1	29.5	32	24	17	17	22	WAL373679	WAL620486	
		15	P-ETV 15 L-SV	21.9	32.5	36	28	21	19	27	WAL373680	WAL620512	
		18	P-ETV 18 L-SV	32.5	35.5	40	31	23.5	24	32	WAL373681	WAL620686	
250 (3626)	22	P-ETV 22 L-SV	43.3	38.5	44	35	27.5	27	36	WAL373682	WAL620687		
	28	P-ETV 28 L-SV	57.4	41.5	47	38	30.5	36	41	WAL373683	WAL620688		
S	800 (11603)	6	P-ETV 6 S-SV	8.6	27	31	23	16	12	17	WAL373686	WAL620689	
		8	P-ETV 8 S-SV	10.7	27.5	32	24	17	14	19	WAL373687	WAL621096	
		10	P-ETV 10 S-SV	16.6	30	34	25	17.5	17	22	WAL373688	WAL620690	
	630 (9137)	12	P-ETV 12 S-SV	20.4	31	38	29	21.5	17	24	WAL373689	WAL620419	
		14	P-ETV 14 S-SV	27.6	35	40	30	22	19	27	WAL373690		
		16	P-ETV 16 S-SV	35.6	36.5	43	33	24.5	24	30	WAL373691	WAL620691	

⚠ Caution: The pressure specifications refer to the steel version. For the stainless steel version (1.4571), please refer to the pressure specifications on page B5.

*Complete stainless steel fittings (1.4571) with silver-plated nut (AG/AGP), see price list

L₂= approximate dimension if the union nut is tightened

P-ETS ... -SV
P-ETS ... -SV-1.4571

F

 System nuts for supplementing the stud
 (for technical data, see part D of this catalog)

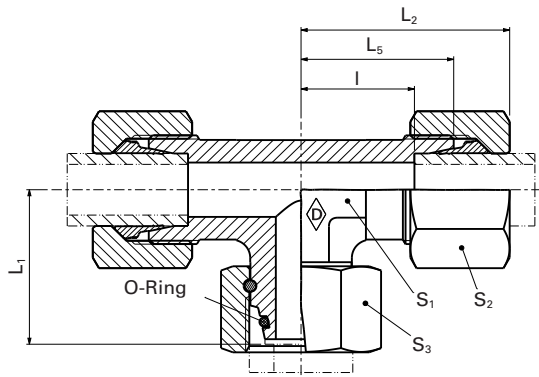
Series	PN bar (psi)	Tube outer diameter	Model	kg/ 100 pc.	Art. no.	Stud P-ETS ... -SV	Stud Stainless steel (1.4571) P-ETS ...-SV VI -1.4571	System nuts for supplementing the stud (for technical data, see part D of this catalog)		
								Walring W-R ... VI	Walform WF-M ... VI	Walform Stainless steel (1.4571) WF-M ... VI -1.4571*
L	500 (7252)	6	P-ETS 6 L-SV	3.5	WAL602686	WAL621235	WAL624607	WAL625940	WAL625980	
		8	P-ETS 8 L-SV	5	WAL374929	WAL621236	WAL624608	WAL625941	WAL625981	
		10	P-ETS 10 L-SV	6.5	WAL602662	WAL620654	WAL624609	WAL625942	WAL625982	
	400 (5801)	12	P-ETS 12 L-SV	8.5	WAL602431	WAL620333	WAL624610	WAL625943	WAL625983	
		15	P-ETS 15 L-SV	15	WAL602597	WAL621237	WAL624611	WAL625944	WAL625984	
		18	P-ETS 18 L-SV	19	WAL602687	WAL621238	WAL624612	WAL625945	WAL625985	
	250 (3626)	22	P-ETS 22 L-SV	28	WAL602688	WAL621239	WAL624613	WAL625946	WAL625986	
		28	P-ETS 28 L-SV	42.5	WAL374930	WAL621240	WAL624614	WAL625947	WAL625987	
S	800 (11603)	6	P-ETS 6 S-SV	5.3	WAL604060	WAL621243	WAL624617	WAL625950	WAL625990	
		8	P-ETS 8 S-SV	7.5	WAL602689	WAL621244	WAL624618	WAL625951	WAL625991	
		10	P-ETS 10 S-SV	10.2	WAL602912	WAL621245	WAL624619	WAL625952	WAL625992	
	630 (9137)	12	P-ETS 12 S-SV	13.5	WAL602907	WAL621246	WAL624620	WAL625953	WAL625993	
		14	P-ETS 14 S-SV	17	WAL615559	WAL621247				
		16	P-ETS 16 S-SV	24	WAL604098	WAL621248	WAL624621	WAL625954	WAL625994	

⚠ Caution: The pressure specifications refer to the steel version. For the stainless steel version (1.4571), please refer to the pressure specifications on page B5.

P-ETVD ...

P-ETVD ...-1.4571

- with taper and O-ring made from NBR* (e.g. Perbunan) for steel
- with taper and O-ring made from FKM (e.g. Viton) for stainless steel (1.4571)



F

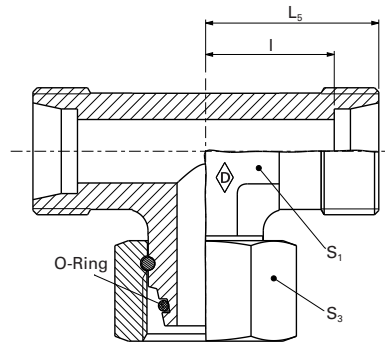
Series	PN bar (psi)	Tube outer diameter	Model	kg/100 pc.	L ₁	L ₂	L ₅	I	S ₁	S ₂	S ₃	*O-ring	Walpro	Walpro	
													P-ETVD...	Stainless steel (1.4571) P-ETVD ... VI-1.4571**	
														Art. no.	Art. no.
L	500 (7252)	6	P-ETVD 6 L	5.4	26	29	21	14	14	14	17	4.5 x 1.5	WAL374574	WAL621345	
		8	P-ETVD 8 L	7.6	27.5	29	21	14	14	17	17	6 x 1.5	WAL374575	WAL621100	
		10	P-ETVD 10 L	10.7	29	30	22	15	17	19	19	8.5 x 1.5	WAL374576	WAL621346	
	400 (5801)	12	P-ETVD 12 L	13.5	29.5	32	24	17	19	22	22	10 x 1.5	WAL374577	WAL621347	
		15	P-ETVD 15 L	22.3	32.5	36	28	21	19	27	27	12 x 2	WAL374578	WAL621348	
		18	P-ETVD 18 L	33.2	35.5	40	31	23.5	24	32	32	15 x 2	WAL374579	WAL621101	
		22	P-ETVD 22 L	43.9	38.5	44	35	27.5	27	36	36	20 x 2	WAL374580	WAL621102	
	250 (3626)	28	P-ETVD 28 L	58.3	41.5	47	38	30.5	36	41	46	26 x 2	WAL374581	WAL621349	
		35	P-ETVD 35 L	91.5	51	56	45	34.5	41	50	50	32 x 2.5	WAL374582	WAL621350	
		42	P-ETVD 42 L	136.9	56	63	51	40	50	60	60	38 x 2.5	WAL374583	WAL621351	
S	800 (11603)	6	P-ETVD 6 S	8.7	27	31	23	16	14	17	17	4.5 x 1.5	WAL374584	WAL621103	
		8	P-ETVD 8 S	10.9	27.5	32	24	17	17	19	19	6 x 1.5	WAL374585	WAL621352	
		10	P-ETVD 10 S	16.9	30	34	25	17.5	19	22	22	8.5 x 1.5	WAL374586	WAL621353	
	630 (9137)	12	P-ETVD 12 S	21.2	31	38	29	21.5	22	24	24	10 x 1.5	WAL374587	WAL620637	
		14	P-ETVD 14 S	28.1	35	40	30	22	19	27	27	12 x 2	WAL374588		
		16	P-ETVD 16 S	36.4	36.5	43	33	24.5	24	30	30	14 x 2	WAL374589	WAL621354	
	420 (6091)	20	P-ETVD 20 S	54.2	44.5	48	37	26.5	27	36	36	17.3 x 2.4	WAL374590	WAL621355	
		25	P-ETVD 25 S	105.0	50	54	42	30	36	46	46	22.3 x 2.4	WAL374591	WAL621356	
	400 (5801)	30	P-ETVD 30 S	134.9	55	62	49	35.5	41	50	50	27.3 x 2.4	WAL374592	WAL621357	
		38	P-ETVD 38 S	206.1	63	72	57	41	50	60	60	35 x 2.5	WAL374593	WAL621358	

⚠ Caution: The pressure specifications refer to the steel version. For the stainless steel version (1.4571), please refer to the pressure specifications on page B5.

**Complete stainless steel fittings (1.4571) with silver-plated nut (AG/AGP), see price list

L₂= approximate dimension if the union nut is tightened

*For FPM (e.g. Viton) see price list / available on request

ETSD ...
ETSD ...-1.4571

F

 System nuts for supplementing the stud
 (for technical data, see part D of this catalog)

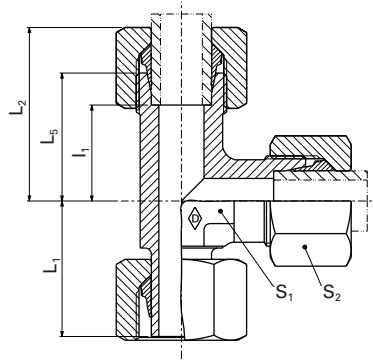
Series	PN bar (psi)	Tube outer diameter	Model	kg/ 100 pc.	Art. no.	Art. no.	System nuts for supplementing the stud (for technical data, see part D of this catalog)		
							Stud ETSD ...	Stud Stainless steel (1.4571) ETSD ... VI -1.4571	Walring W-R ... VI
L	500 (7252)	6	ETSD 6 L	3.2	WAL063897	WAL618253	WAL624607	WAL625940	WAL625980
		8	ETSD 8 L	6.5	WAL063898	WAL618254	WAL624608	WAL625941	WAL625981
		10	ETSD 10 L	9.5	WAL063899	WAL618255	WAL624609	WAL625942	WAL625982
	400 (5801)	12	ETSD 12 L	12.5	WAL063900	WAL618256	WAL624610	WAL625943	WAL625983
		15	ETSD 15 L	14	WAL063901	WAL618257	WAL624611	WAL625944	WAL625984
		18	ETSD 18 L	21.5	WAL063902	WAL618258	WAL624612	WAL625945	WAL625985
		22	ETSD 22 L	28	WAL063903	WAL618259	WAL624613	WAL625946	WAL625986
		28	ETSD 28 L	49	WAL063904	WAL618260	WAL624614	WAL625947	WAL625987
	250 (3626)	35	ETSD 35 L	60.9	WAL063905	WAL618261	WAL624615	WAL625948	WAL625988
		42	ETSD 42 L	89.2	WAL063906	WAL617598	WAL624616	WAL625949	WAL625989
		6	ETSD 6 S	8	WAL063907	WAL617599	WAL624617	WAL625950	WAL625990
	S	800 (11603)	8	ETSD 8 S	10.5	WAL063908	WAL618262	WAL624618	WAL625951
10			ETSD 10 S	14	WAL063909	WAL618263	WAL624619	WAL625952	WAL625992
12			ETSD 12 S	19	WAL063910	WAL618264	WAL624620	WAL625953	WAL625993
630 (9137)		14	ETSD 14 S	16.9	WAL063911	WAL606249			
		16	ETSD 16 S	23	WAL063912	WAL618265	WAL624621	WAL625954	WAL625994
420 (6091)		20	ETSD 20 S	35	WAL063913	WAL618266	WAL624622	WAL625955	WAL625995
		25	ETSD 25 S	63.5	WAL063914	WAL618267	WAL624623	WAL625956	WAL625996
400 (5801)		30	ETSD 30 S	87	WAL063915	WAL617600	WAL624624	WAL625957	WAL625997
		38	ETSD 38 S	131	WAL063916	WAL618268	WAL624625	WAL625958	WAL625998

⚠ Caution: The pressure specifications refer to the steel version. For the stainless steel version (1.4571), please refer to the pressure specifications on page B5.

P-ELV ... -SV

P-ELV ...SV-1.4571

- with pre-assembled standpipe



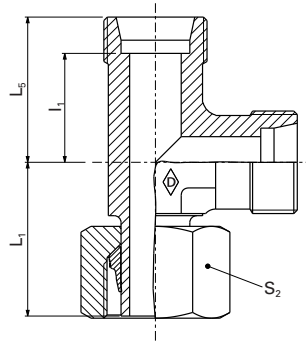
F

											Walpro P-ELV... -SV	Walpro Stainless steel (1.4571) P-ELV ... SV-1.4571*
Series	PN bar (psi)	Tube outer diameter	Model	kg/ 100 pc.	L ₁	L ₂	L ₅	l	S ₁	S ₂	Model	Art. no.
L	500 (7252)	6	P-ELV 6 L-SV	5.2	26	27	19	12	12	14	WAL373716	WAL620359
		8	P-ELV 8 L-SV	7.8	27.5	29	21	14	12	17	WAL373717	WAL620283
		10	P-ELV 10 L-SV	10.6	29	30	22	15	14	19	WAL373718	WAL620455
	400 (5801)	12	P-ELV 12 L-SV	12.8	29.5	32	24	17	17	22	WAL373719	WAL620441
		15	P-ELV 15 L-SV	21.9	32.5	36	28	21	19	27	WAL373720	WAL620401
		18	P-ELV 18 L-SV	33.0	35.5	40	31	23.5	24	32	WAL373721	WAL620530
		250 (3626)	22	P-ELV 22 L-SV	43.3	38.5	44	35	27.5	27	36	WAL373722
	28	P-ELV 28 L-SV	55.9	41.5	47	38	30.5	36	41	WAL373723	WAL620692	
S	800 (11603)	6	P-ELV 6 S-SV	8.8	27	31	23	16	12	17	WAL373726	WAL620694
		8	P-ELV 8 S-SV	10.7	27.5	32	24	17	14	19	WAL373727	WAL621106
		10	P-ELV 10 S-SV	16.7	30	34	25	17.5	17	22	WAL373728	WAL620695
	630 (9137)	12	P-ELV 12 S-SV	20.4	31	38	29	21.5	17	24	WAL373729	WAL620417
		14	P-ELV 14 S-SV	27.2	35	40	30	22	19	27	WAL373730	WAL621107
		16	P-ELV 16 S-SV	33.7	36.5	43	33	24.5	24	30	WAL373731	WAL620696

⚠ Caution: The pressure specifications refer to the steel version. For the stainless steel version (1.4571), please refer to the pressure specifications on page B5.

*Complete stainless steel fittings (1.4571) with silver-plated nut (AG/AGP), see price list

L₂= approximate dimension if the union nut is tightened

P-ELS ... -SV
P-ELS ...SV-1.4571

F

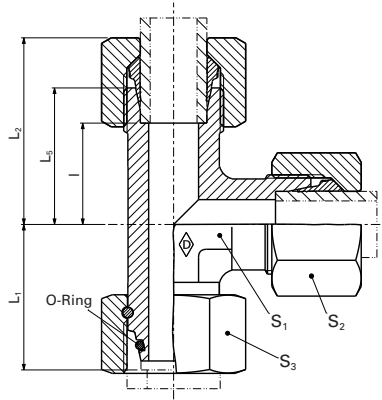
					System nuts for supplementing the stud (for technical data, see part D of this catalog)				
					Stud P-ELS ... -SV	Stud Stainless steel (1.4571) P-ELS ... -SV- 1.4571	Walring W-R ... VI	Walform WF-M ... VI	Walform Stainless steel (1.4571) WF-M ... VI -1.4571*
Series	PN bar (psi)	Tube outer diameter	Model	kg/ 100 pc.	Art. no.	Art. no.	Art. no.	Art. no.	Art. no.
L	500 (7252)	6	P-ELS 6 L-SV	4.0	WAL602911	WAL620609	WAL624607	WAL625940	WAL625980
		8	P-ELS 8 L-SV	4.4	WAL374931	WAL621253	WAL624608	WAL625941	WAL625981
		10	P-ELS 10 L-SV	6.0	WAL374932	WAL620599	WAL624609	WAL625942	WAL625982
	400 (5801)	12	P-ELS 12 L-SV	8.5	WAL602559	WAL620658	WAL624610	WAL625943	WAL625983
		15	P-ELS 15 L-SV	14.5	WAL374933	WAL621254	WAL624611	WAL625944	WAL625984
		18	P-ELS 18 L-SV	21.0	WAL602467	WAL620568	WAL624612	WAL625945	WAL625985
	250 (3626)	22	P-ELS 22 L-SV	25.6	WAL604092	WAL620636	WAL624613	WAL625946	WAL625986
		28	P-ELS 28 L-SV	41.5	WAL602583	WAL621255	WAL624614	WAL625947	WAL625987
S	800 (11603)	6	P-ELS 6 S-SV	6.0	WAL602998	WAL621257	WAL624617	WAL625950	WAL625990
		8	P-ELS 8 S-SV	7.5	WAL602999	WAL620348	WAL624618	WAL625951	WAL625991
		10	P-ELS 10 S-SV	10.5	WAL602913	WAL621258	WAL624619	WAL625952	WAL625992
	630 (9137)	12	P-ELS 12 S-SV	13.5	WAL602908	WAL621259	WAL624620	WAL625953	WAL625993
		14	P-ELS 14 S-SV	16.6	WAL606307	WAL621260			
		16	P-ELS 16 S-SV	24.0	WAL602910	WAL620570	WAL624621	WAL625954	WAL625994

⚠ Caution: The pressure specifications refer to the steel version. For the stainless steel version (1.4571), please refer to the pressure specifications on page B5.

P-ELVD ...

P-ELVD ...-1.4571

- with taper and O-ring made from NBR* (e.g. Perbunan) for steel
- with taper and O-ring made from FKM (e.g. Viton) for stainless steel (1.4571)



F

Series	PN bar (psi)	Tube outer diameter	Model	kg/100 pc.	L ₁	L ₂	L ₃	l	S ₁	S ₂	S ₃	*O-ring	Art. no.	Art. no.
L	500 (7252)	6	P-ELVD 6 L	5.3	26	29	21	14	14	14	17	4.5 x 1.5	WAL374594	WAL620653
		8	P-ELVD 8 L	8.0	27.5	29	21	14	14	17	17	6 x 1.5	WAL374595	WAL621360
		10	P-ELVD 10 L	10.9	29	30	22	15	17	19	19	8.5 x 1.5	WAL374596	WAL621109
		12	P-ELVD 12 L	13.2	29.5	32	24	17	19	22	22	10 x 1.5	WAL372991	WAL620815
	400 (5801)	15	P-ELVD 15 L	22.3	32.5	36	28	21	19	27	27	12 x 2	WAL374597	WAL620727
		18	P-ELVD 18 L	33.7	35.5	40	31	23.5	24	32	32	15 x 2	WAL374598	WAL621361
	250 (3626)	22	P-ELVD 22 L	43.9	38.5	44	35	27.5	27	36	36	20 x 2	WAL374599	WAL621362
		28	P-ELVD 28 L	56.8	41.5	47	38	30.5	36	41	46	26 x 2	WAL374600	WAL621363
		35	P-ELVD 35 L	90.5	51	56	45	34.5	41	50	50	32 x 2.5	WAL374601	WAL621364
		42	P-ELVD 42 L	134.4	56	63	51	40	50	60	60	38 x 2.5	WAL374602	WAL621365
S	800 (11603)	6	P-ELVD 6 S	8.9	27	31	23	16	14	17	17	4.5 x 1.5	WAL374603	WAL620864
		8	P-ELVD 8 S	10.9	27.5	32	24	17	17	19	19	6 x 1.5	WAL374604	WAL621110
		10	P-ELVD 10 S	17.0	30	34	25	17.5	19	22	22	8.5 x 1.5	WAL374605	WAL621366
		12	P-ELVD 12 S	21.2	31	38	29	21.5	22	24	24	10 x 1.5	WAL374606	WAL620587
	630 (9137)	14	P-ELVD 14 S	27.7	35	40	30	22	19	27	27	12 x 2	WAL374607	WAL621111
		16	P-ELVD 16 S	34.5	36.5	43	33	24.5	24	30	30	14 x 2	WAL374608	WAL621112
	420 (6091)	20	P-ELVD 20 S	54.8	44.5	48	37	26.5	27	36	36	17.3 x 2.4	WAL374609	WAL620588
		25	P-ELVD 25 S	103.6	50	54	42	30	36	46	46	22.3 x 2.4	WAL374610	WAL621367
	400 (5801)	30	P-ELVD 30 S	134.1	55	62	49	35.5	41	50	50	27.3 x 2.4	WAL374611	WAL621113
		38	P-ELVD 38 S	196.4	63	72	57	41	50	60	60	35 x 2.5	WAL374612	WAL621114

Walpro
Stainless steel
(1.4571)
P-ELVD ...
VI-1.4571**

⚠ Caution: The pressure specifications refer to the steel version. For the stainless steel version (1.4571), please refer to the pressure specifications on page B5.

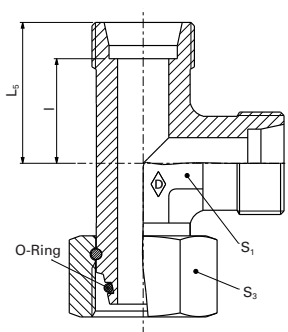
**Complete stainless steel fittings (1.4571) with silver-plated nut (AG/AGP), see price list

L₂ = approximate dimension if the union nut is tightened

*For FPM (e.g. Viton) see price list / available on request

ELSD ...

ELSD ...-1.4571



F

System nuts for supplementing the stud
(for technical data, see part D of this catalog)

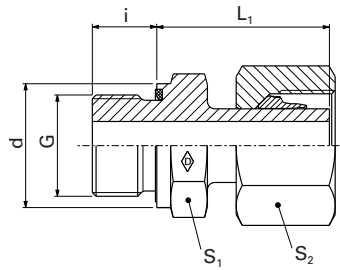
Series	PN bar (psi)	Tube outer diameter	Model	kg/ 100 pc.	Art. no.	Stud Stainless steel (1.4571) ELSD ... VI -1.4571	Walring W-R ... VI	Walform WF-M ... VI	Walform Stainless steel (1.4571) WF-M ... VI -1.4571**
									Art. no.
L	500 (7252)	6	ELSD 6 L	4.6	WAL063917	WAL602804	WAL624607	WAL625940	WAL625980
		8	ELSD 8 L	7.0	WAL063918	WAL602774	WAL624608	WAL625941	WAL625981
		10	ELSD 10 L	9.0	WAL063919	WAL617610	WAL624609	WAL625942	WAL625982
	400 (5801)	12	ELSD 12 L	12.5	WAL063920	WAL618269	WAL624610	WAL625943	WAL625983
		15	ELSD 15 L	13.1	WAL063921	WAL371559	WAL624611	WAL625944	WAL625984
		18	ELSD 18 L	20.5	WAL063922	WAL618270	WAL624612	WAL625945	WAL625985
		22	ELSD 22 L	28.0	WAL063923	WAL617611	WAL624613	WAL625946	WAL625986
	250 (3626)	28	ELSD 28 L	49.0	WAL063924	WAL618271	WAL624614	WAL625947	WAL625987
		35	ELSD 35 L	65.0	WAL063925	WAL605999	WAL624615	WAL625948	WAL625988
		42	ELSD 42 L	100.0	WAL063926	WAL618272	WAL624616	WAL625949	WAL625989
S	800 (11603)	6	ELSD 6 S	8.0	WAL063927	WAL617612	WAL624617	WAL625950	WAL625990
		8	ELSD 8 S	11.0	WAL063928	WAL618273	WAL624618	WAL625951	WAL625991
		10	ELSD 10 S	14.0	WAL063929	WAL617613	WAL624619	WAL625952	WAL625992
	630 (9137)	12	ELSD 12 S	19.0	WAL063930	WAL605361	WAL624620	WAL625953	WAL625993
		14	ELSD 14 S	16.5	WAL063931	WAL617614			
		16	ELSD 16 S	23.5	WAL063932	WAL618275	WAL624621	WAL625954	WAL625994
	420 (6091)	20	ELSD 20 S	35.5	WAL063933	WAL605363	WAL624622	WAL625955	WAL625995
		25	ELSD 25 S	63.5	WAL063934	WAL618277	WAL624623	WAL625956	WAL625996
	400 (5801)	30	ELSD 30 S	88.0	WAL063935	WAL617615	WAL624624	WAL625957	WAL625997
		38	ELSD 38 S	130.0	WAL063936	WAL618278	WAL624625	WAL625958	WAL625998

Caution: The pressure specifications refer to the steel version. For the stainless steel version (1.4571), please refer to the pressure specifications on page B5.

P-EGES ... R-WD-SV

P-EGES ... R-WD-SV-1.4571

- with pre-assembled standpipe
- with soft seal made from NBR* (e.g. Perbunan) for steel
- with soft seal made from FKM (e.g. Viton) for stainless steel (1.4571)
- Inch studs type E to DIN EN ISO 1179-2



F

												Stud P-EGES ... R-WD-SV	Stud Stainless steel (1.4571) P-EGES ... R-WD-VI- SV-1.4571**
Series	PN bar (psi)	Tube outer diameter	DIN-ISO 228 (R...DIN 259) G	Model	kg/ 100 pc.	i	d	L ₁	S ₁	S ₂	Art. no.	Art. no.	
L	500 (7252)	6	G 1/8 A	P-EGES 6 LR-WD-SV	2.5	8	13.9	24.5	14	14	WAL373856	WAL620543	
		8	G 1/4 A	P-EGES 8 LR-WD-SV	4.5	12	18.9	29.5	19	17	WAL373857	WAL620493	
		10	G 1/4 A	P-EGES 10 LR-WD-SV	5.8	12	18.9	27.5	19	19	WAL373858	WAL620456	
		12	G 1/4 A	P-EGES 12 L/R 1/4-WD-SV	6.5	12	18.9	27.5	19	22	WAL373859	WAL623088	
	400 (5801)	12	G 3/8 A	P-EGES 12 LR-WD-SV	6.5	12	21.9	34	22	22	WAL373860	WAL620408	
		15	G 3/8 A	P-EGES 15 L/R 3/8-WD-SV	11.0	12	21.9	34	27	27	WAL374482	WAL623089	
		15	G 1/2 A	P-EGES 15 LR-WD-SV	11.6	14	26.9	32	27	27	WAL373861	WAL620457	
		18	G 1/2 A	P-EGES 18 LR-WD-SV	13.0	14	26.9	31.5	27	27	WAL373862	WAL620487	
250 (3626)	22	G 3/4 A	P-EGES 22 LR-WD-SV	17.6	16	31.9	32.5	32	36	WAL373863	WAL620472		
S	800 (11603)	6	G 1/4 A	P-EGES 6 SR-WD-SV	5.1	12	18.9	27	19	17	WAL373867	WAL620544	
		8	G 1/4 A	P-EGES 8 SR-WD-SV	4.8	12	18.9	29.5	19	19	WAL373868	WAL620490	
		10	G 3/8 A	P-EGES 10 SR-WD-SV	8.3	12	21.9	32	22	22	WAL373869	WAL620545	
		12	G 3/8 A	P-EGES 12 SR-WD-SV	7.3	12	21.9	34	22	24	WAL373870	WAL620407	
	630 (9137)	12	G 1/2 A	P-EGES 12 S/R 1/2-WD-SV	9.2	14	26.9	34.5	27	25	WAL373871	WAL620546	
		14	G 1/2 A	P-EGES 14 SR-WD-SV	14.9	14	26.9	36.5	27	27	WAL373872	WAL617616	
		16	G 1/2 A	P-EGES 16 SR-WD-SV	15.4	14	26.9	37	27	30	WAL373873	WAL620532	
		16	G 3/4 A	P-EGES 16 S/R 3/4-WD-SV	20.0	16	31.9	39	32	30	WAL373874	WAL623090	

⚠ Caution: The pressure specifications refer to the steel version. For the stainless steel version (1.4571), please refer to the pressure specifications on page B5.

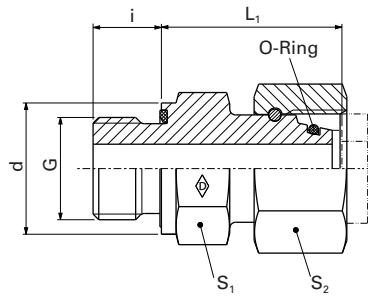
**Complete stainless steel fittings (1.4571) with silver-plated nut (AG/AGP), see price list

*For FPM (e.g. Viton) see price list / available on request

EGESD ... R-WD

EGESD ... R-WD-1.4571

- with taper and O-ring made from NBR* (e.g. Perbunan) for steel
- with taper and O-ring made from FKM (e.g. Viton) for stainless steel (1.4571)
- Inch studs type E to DIN EN ISO 1179-2



F

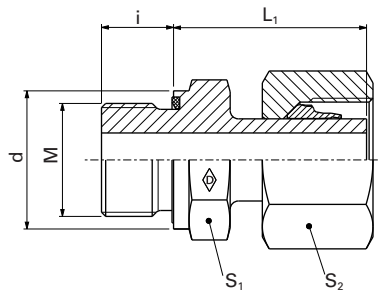
Series	PN bar (psi)	Tube outer diameter	DIN-ISO 228 (R...DIN 259) G	Model	kg/100 pc.	L ₁	i	d	S ₁	S ₂	*O-ring	Stud	Stud	
												EGESD ... R-WD	Stainless steel (1.4571) EGESD ... R-WD-VI-1.4571**	
													Art. no.	Art. no.
L	500 (7252)	6	G 1/8 A	EGESD 6 LR-WD	3.6	24.5	8	13.9	14	17	4.5 x 1.5	WAL063661		
		8	G 1/4 A	EGESD 8 LR-WD	5.7	29.5	12	18.9	19	17	6 x 1.5	WAL063662	WAL374950	
		10	G 1/4 A	EGESD 10 LR-WD	5.8	27.5	12	18.9	19	19	8.5 x 1.5	WAL063663	WAL371550	
		12	G 1/4 A	EGESD 12 L/R 1/4-WD	6.8	27.5	12	18.9	19	22	10 x 1.5	WAL063664	WAL615354	
	400 (5801)	12	G 3/8 A	EGESD 12 LR-WD	7.5	34	12	21.9	22	22	10 x 1.5	WAL063665	WAL372579	
		15	G 1/2 A	EGESD 15 LR-WD	14.4	32	14	26.9	27	27	12 x 2	WAL063666	WAL371553	
		18	G 1/2 A	EGESD 18 LR-WD	15.2	31.5	14	26.9	27	32	15 x 2	WAL063667	WAL371556	
	250 (3626)	22	G 3/4 A	EGESD 22 LR-WD	20.2	32.5	16	31.9	32	36	20 x 2	WAL063668	WAL372751	
		28	G 1 A	EGESD 28 LR-WD	35.6	35	18	39.9	41	46	26 x 2	WAL063669	WAL604194	
35		G 1/4 A	EGESD 35 LR-WD	50.7	42.5	20	49.9	50	50	32 x 2.5	WAL063670	WAL604648		
42		G 1/2 A	EGESD 42 LR-WD	66.4	46.5	22	54.9	55	60	38 x 2.5	WAL063671	WAL372348		
S	800 (11603)	6	G 1/4 A	EGESD 6 SR-WD	5.6	27	12	18.9	19	17	4.5 x 1.5	WAL063672	WAL615654	
		8	G 1/4 A	EGESD 8 SR-WD	6.2	29.5	12	18.9	19	19	6 x 1.5	WAL063673	WAL068481	
		10	G 3/8 A	EGESD 10 SR-WD	9.2	32	12	21.9	22	22	8.5 x 1.5	WAL063674	WAL608620	
		12	G 3/8 A	EGESD 12 SR-WD	11.0	34	12	21.9	22	24	10 x 1.5	WAL063675	WAL608620	
	630 (9137)	12	G 1/2 A	EGESD 12 S/R 1/2-WD	15.3	34.5	14	26.9	27	24	10 x 1.5	WAL063676	WAL372581	
		14	G 1/2 A	EGESD 14 SR-WD	17.0	36.5	14	26.9	27	27	12 x 2	WAL063677	WAL617616	
		16	G 1/2 A	EGESD 16 SR-WD	23.0	37	14	26.9	27	30	14 x 2	WAL063678	WAL370609	
	420 (6091)	20	G 3/4 A	EGESD 20 SR-WD	28.6	43	16	31.9	32	36	17.3 x 2.4	WAL063679	WAL068479	
		25	G 1 A	EGESD 25 SR-WD	49.4	48	18	39.9	41	46	22.3 x 2.4	WAL063680	WAL372587	
	400 (5801)	30	G 1 1/4 A	EGESD 30 SR-WD	67.4	51	20	49.9	50	50	27.3 x 2.4	WAL063681	WAL372332	
38		G 1 1/2 A	EGESD 38 SR-WD	93.1	60	22	54.9	55	60	35 x 2.5	WAL063682	WAL370961		

⚠ Caution: The pressure specifications refer to the steel version. For the stainless steel version (1.4571), please refer to the pressure specifications on page B5.
 *For FPM (e.g. Viton) see price list / available on request

P-EGES ... M-WD-SV

P-EGES ... M-WD-SV-1.4571

- with pre-assembled standpipe
- with soft seal made from NBR* (e.g. Perbunan) for steel
- with soft seal made from FKM (e.g. Viton) for stainless steel (1.4571)
- Metric stud type E to DIN EN ISO 9974-2



F

Series	PN bar (psi)	Tube outer diameter	Model	M	kg/100 pc.	i	d	L ₁	S ₁	S ₂	Stud	Stud	
											P-EGES ... M-WD-SV	Stainless steel (1.4571) P-EGES ... M-WD-SV-1.4571**	
												Art. no.	Art. no.
L	500 (7252)	6	P-EGES 6 LM-WD-SV	M 10 x 1	2.5	8	13.9	24.5	14	14	WAL373879	WAL621116	
		8	P-EGES 8 LM-WD-SV	M 12 x 1.5	4.0	12	16.9	26.5	17	17	WAL373880	WAL621117	
		10	P-EGES 10 LM-WD-SV	M 14 x 1.5	4.8	12	18.9	27.5	19	19	WAL373881	WAL620700	
	400 (5801)	12	P-EGES 12 LM-WD-SV	M 16 x 1.5	6.5	12	21.9	30.5	22	22	WAL373882	WAL621118	
		15	P-EGES 15 LM-WD-SV	M 18 x 1.5	9.6	12	23.9	31.5	24	27	WAL373883	WAL621119	
		18	P-EGES 18 LM-WD-SV	M 22 x 1.5	13.0	14	26.9	31.5	27	32	WAL373884	WAL621120	
250 (3626)	22	P-EGES 22 LM-WD-SV	M 26 x 1.5	17.6	16	31.9	32	32	36	WAL373885	WAL621121		
S	800 (11603)	6	P-EGES 6 SM-WD-SV	M 12 x 1.5	4.6	12	16.9	27	17	17	WAL373889	WAL620701	
		8	P-EGES 8 SM-WD-SV	M 14 x 1.5	5.5	12	18.9	29.5	19	19	WAL373890	WAL621125	
		10	P-EGES 10 SM-WD-SV	M 16 x 1.5	8.3	12	21.9	32	22	22	WAL373891	WAL621126	
	630 (9137)	12	P-EGES 12 SM-WD-SV	M 18 x 1.5	11.5	12	23.9	34	24	24	WAL373892	WAL621127	
		14	P-EGES 14 SM-WD-SV	M 20 x 1.5	14.9	14	25.9	36.5	27	27	WAL373893	WAL621472	
		16	P-EGES 16 SM-WD-SV	M 22 x 1.5	15.4	14	26.9	37	27	30	WAL373894	WAL620657	

⚠ Caution: The pressure specifications refer to the steel version. For the stainless steel version (1.4571), please refer to the pressure specifications on page B5.

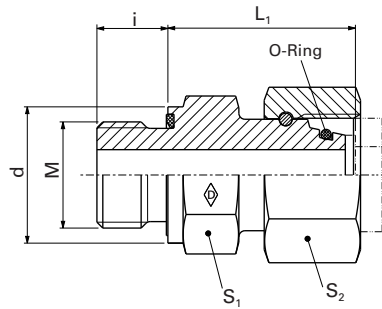
**Complete stainless steel fittings (1.4571) with silver-plated nut (AG/AGP), see price list

*For FPM (e.g. Viton) see price list / available on request

EGESD ... M-WD

EGESD ... M-WD-1.4571

- with taper and O-ring made from NBR* (e.g. Perbunan) for steel
- with taper and O-ring made from FKM (e.g. Viton) for stainless steel (1.4571)
- Metric stud type E to DIN EN ISO 9974-2



F

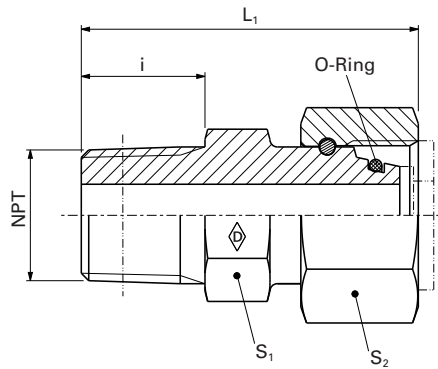
Series	PN bar (psi)	Tube outer diameter	M	Model	kg/100 pc.	L ₁	i	d	S ₁	S ₂	*O-ring	Art. no.	Stud
													EGESD ... M-WD
L	500 (7252)	6	M 10 x 1	EGESD 6 LM-WD	3.6	24.5	8	13.9	14	17	4.5 x 1.5	WAL063641	WAL602795
		8	M 12 x 1.5	EGESD 8 LM-WD	5.7	26.5	12	16.9	17	17	6 x 1.5	WAL063642	WAL617617
		10	M 14 x 1.5	EGESD 10 LM-WD	5.8	27.5	12	18.9	19	19	8.5 x 1.5	WAL063643	WAL615649
		12	M 16 x 1.5	EGESD 12 LM-WD	7.5	30.5	12	21.9	22	22	10 x 1.5	WAL063644	WAL613252
	400 (5801)	15	M 18 x 1.5	EGESD 15 LM-WD	14.4	31.5	12	23.9	24	27	12 x 2	WAL063645	WAL617618
		18	M 22 x 1.5	EGESD 18 LM-WD	15.2	31.5	14	26.9	27	32	15 x 2	WAL063646	WAL615369
		22	M 26 x 1.5	EGESD 22 LM-WD	20.2	32.5	16	31.9	32	36	20 x 2	WAL063647	WAL615318
	250 (3626)	28	M 33 x 2	EGESD 28 LM-WD	35.6	35	18	39.9	41	46	26 x 2	WAL063648	WAL617619
		35	M 42 x 2	EGESD 35 LM-WD	50.7	42.5	20	49.9	50	50	32 x 2.5	WAL063649	WAL615713
		42	M 48 x 2	EGESD 42 LM-WD	66.4	46.5	22	54.9	55	60	38 x 2.5	WAL063650	WAL617620
S	800 (11603)	6	M 12 x 1.5	EGESD 6 SM-WD	5.6	27	12	16.9	17	17	4.5 x 1.5	WAL063651	WAL617621
		8	M 14 x 1.5	EGESD 8 SM-WD	6.2	29.5	12	18.9	19	19	6 x 1.5	WAL063652	WAL617622
		10	M 16 x 1.5	EGESD 10 SM-WD	9.2	32	12	21.9	22	22	8.5 x 1.5	WAL063653	WAL617623
		12	M 18 x 1.5	EGESD 12 SM-WD	11.0	34	12	23.9	24	24	10 x 1.5	WAL063654	WAL617624
	630 (9137)	14	M 20 x 1.5	EGESD 14 SM-WD	17.0	36.5	14	25.9	27	27	12 x 2	WAL063655	
		16	M 22 x 1.5	EGESD 16 SM-WD	23.0	37	14	26.9	27	30	14 x 2	WAL063656	WAL607908
	420 (6091)	20	M 27 x 2	EGESD 20 SM-WD	28.6	43	16	31.9	32	36	17.3 x 2.4	WAL063657	WAL610674
		25	M 33 x 2	EGESD 25 SM-WD	49.4	48	18	39.9	41	46	22.3 x 2.4	WAL063658	WAL617625
	400 (5801)	30	M 42 x 2	EGESD 30 SM-WD	67.4	51	20	49.9	50	50	27.3 x 2.4	WAL063659	WAL610619
		38	M 48 x 2	EGESD 38 SM-WD	93.1	60	22	54.9	55	60	35 x 2.5	WAL063660	WAL617626

⚠ Caution: The pressure specifications refer to the steel version. For the stainless steel version (1.4571), please refer to the pressure specifications on page B5.
*For FPM (e.g. Viton) see price list / available on request

EGESD ... NPT

EGESD ... NPT-1.4571

- with taper and O-ring made from NBR* (e.g. Perbunan) for steel
- with taper and O-ring made from FKM (e.g. Viton) for stainless steel (1.4571)
- Stud with NPT thread to ANSI/ASME B1.20.1-1983



F

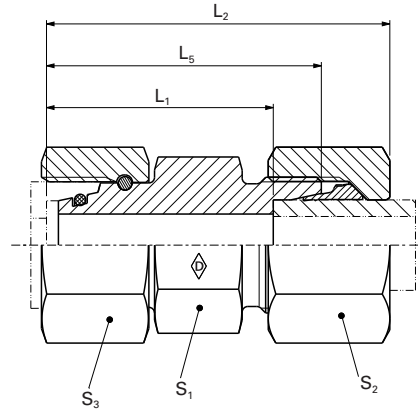
Series	PN bar (psi)	Tube outer diameter	NPT	Model	kg/100 pc.	i	L ₁	S ₁	S ₂	*O-ring	Art. no.	Art. no.
L	250 (3626)	6	1/8 NPT	EGESD 6 L/ 1/8 NPT	3.7	10	36.5	11	14	4.5 x 1.5	WAL605721	WAL617627
		8	1/4 NPT	EGESD 8 L/ 1/4 NPT	6.9	15	41.5	14	17	6 x 1.5	WAL605722	WAL617628
		10	1/4 NPT	EGESD 10 L/ 1/4 NPT	5.9	15	40.5	17	19	8.5 x 1.5	WAL605723	WAL617629
		12	3/8 NPT	EGESD 12 L/ 3/8 NPT	10.2	15	45.5	19	22	10 x 1.5	WAL605724	WAL615256
		15	1/2 NPT	EGESD 15 L/ 1/2 NPT	15.9	20	48	22	27	12 x 2	WAL605725	WAL617630
	160 (2321)	18	1/2 NPT	EGESD 18 L/ 1/2 NPT	15.8	20	47.5	27	32	15 x 2	WAL605726	WAL617631
		22	3/4 NPT	EGESD 22 L/ 3/4 NPT	21.6	20	49	30	36	20 x 2	WAL605727	WAL617632
	100 (1450)	28	1 NPT	EGESD 28 L/ 1NPT	43.9	25	57.5	36	46	26 x 2	WAL605728	WAL618291
		35	1 1/4 NPT	EGESD 35 L/ 1 1/4 NPT	50.5	26	65	46	50	32 x 2.5	WAL605729	WAL617633
		42	1 1/2 NPT	EGESD 42 L/ 1 1/2 NPT	77.0	26	65	50	60	38 x 2.5	WAL605730	WAL617634
S	630 (9137)	6	1/4 NPT	EGESD 6 S/ 1/4 NPT	6.1	15	41.5	17	17	4.5 x 1.5	WAL605731	WAL617635
		8	1/4 NPT	EGESD 8 S/ 1/4 NPT	6.2	15	41.5	17	19	6 x 1.5	WAL605732	WAL617636
		10	3/8 NPT	EGESD 10 S/ 3/8 NPT	9.0	15	44.5	19	22	8.5 x 1.5	WAL605733	WAL617637
		12	3/8 NPT	EGESD 12 S/ 3/8 NPT	9.5	15	45.5	19	24	10 x 1.5	WAL605734	WAL618292
		14	1/2 NPT	EGESD 14 S/ 1/2 NPT	17.7	20	53.5	22	27	12 x 2	WAL605735	WAL617638
	400 (5801)	16	1/2 NPT	EGESD 16 S/ 1/2 NPT	23.6	20	53.5	24	30	14 x 2	WAL605736	WAL617639
		20	3/4 NPT	EGESD 20 S/ 3/4 NPT	28.3	20	58	30	36	17.3 x 2.4	WAL605737	WAL617640
	250 (3626)	25	1 NPT	EGESD 25 S/ 1NPT	50.4	25	68	36	46	22.3 x 2.4	WAL605738	WAL618293
		30	1 1/4 NPT	EGESD 30 S/ 1 1/4 NPT	65.0	26	73.5	46	50	27.3 x 2.4	WAL605739	WAL617641
		38	1 1/2 NPT	EGESD 38 S/ 1 1/2 NPT	93.2	26	78	50	60	35 x 2.5	WAL605740	WAL617642

⚠ Caution: The pressure specifications refer to the steel version. For the stainless steel version (1.4571), please refer to the pressure specifications on page B5.

*For FPM (e.g. Viton) see price list / available on request

P-DAV ...

- with taper and O-ring made from NBR* (e.g. Perbunan)

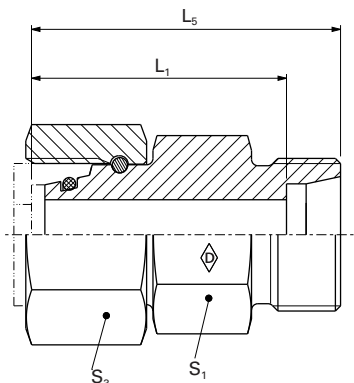


F

												Walpro P-DAV...	
Series	PN bar (psi)	Tube outer diameter	Model	kg/100 pc.	L ₁	L ₂	L ₃	S ₁	S ₂	S ₃	*O-ring	Art. no.	
L	500 (7252)	6	P-DAV 6 L A4GS	5.8	51	43.0	36	12	14	17	4.5x1.5	WAL627441	
		8	P-DAV 8 L A4GS	6.6	51	43.0	36	14	17	17	6x1.5	WAL627442	
		10	P-DAV 10 L A4GS	8.7	51	43.0	36	17	19	19	8.5x1.5	WAL627443	
	400 (5801)	12	P-DAV 12 L A4GS	11.3	51	43.0	36	19	22	12	10x1.5	WAL627444	
		15	P-DAV 15 L A4GS	17.1	51	43.0	36	24	27	27	12x2	WAL627445	
		18	P-DAV 18 L A4GS	23.2	52	43.5	36	27	32	32	15x2	WAL627446	
		22	P-DAV 22 L A4GS	30.9	56	47.5	40	32	36	36	20x2	WAL627447	
	250 (3626)	28	P-DAV 28 L A4GS	46.4	57	47.5	40	41	41	46	26x2	WAL627448	
		35	P-DAV 35 L A4GS	65.7	72	60.5	50	46	50	50	32x2.5	WAL627449	
42		P-DAV 42 L A4GS	106.5	83	71.0	60	55	60	60	38x2.5	WAL627450		
S	800 (11603)	6	P-DAV 6 S A4GS	7.2	51	43.0	36	14	17	17	4.5x1.5	WAL627451	
		8	P-DAV 8 S A4GS	9.1	51	43.0	36	17	19	19	6x1.5	WAL627452	
		10	P-DAV 10 S A4GS	12.1	52	43.5	36	19	22	22	8.5x1.5	WAL627453	
	630 (9137)	12	P-DAV 12 S A4GS	14.8	52	43.5	36	22	24	24	10x1.5	WAL627454	
		14	P-DAV 14 S A4GS	19.9	58	48.0	40	24	27	27	12X2	WAL627455	
		16	P-DAV 16 S A4GS	24.6	58	48.5	40	27	30	30	14x2	WAL627456	
		20	P-DAV 20 S A4GS	39.8	68	56.5	46	32	36	36	17.3x2.4	WAL627457	
	400 (5801)	25	P-DAV 25 S A4GS	71.1	74	62.0	50	41	46	46	22.3x2.4	WAL627458	
		30	P-DAV 30 S A4GS	86.5	83	69.5	56	46	50	50	27.3x2.4	WAL627459	
			P-DAV 38 S A4GS	123.3	91	76.0	60	55	60	60	35x2.5	WAL627460	

L₂= approximate dimension if the union nut is tightened
 *FPM (e.g. Viton) available on request

DAS ...



F

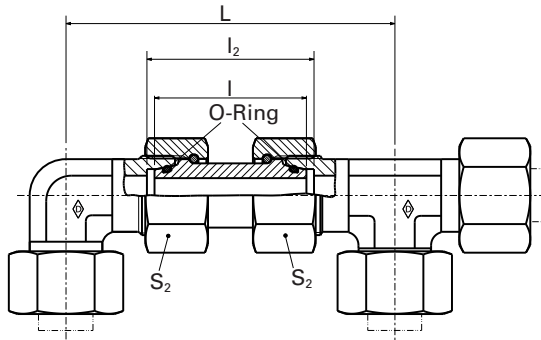
Series	PN bar (psi)	Tube outer diameter	Model	kg/ 100 pc.	Stud DAS...	System nuts for supplementing the stud (for technical data, see part D of this catalog)		
						Walring W-R ... VI	Walform WF-M ... VI	
					Art. no.	Art. no.	Art. no.*	
L	500 (7252)	6	DAS 6 L A4GS	4.6	WAL627401	WAL624607	WAL625940	
		8	DAS 8 L A4GS	4.9	WAL627402	WAL624608	WAL625941	
		10	DAS 10 L A4GS	6.5	WAL627403	WAL624609	WAL625942	
		12	DAS 12 L A4GS	8.3	WAL627404	WAL624610	WAL625943	
	400 (5801)	15	DAS 15 L A4GS	12.2	WAL627405	WAL624611	WAL625944	
		18	DAS 18 L A4GS	16.2	WAL627406	WAL624612	WAL625945	
		22	DAS 22 L A4GS	21.7	WAL627407	WAL624613	WAL625946	
		250 (3626)	28	DAS 28 L A4GS	36.0	WAL627408	WAL624614	WAL625947
			35	DAS 35 L A4GS	49.7	WAL627409	WAL624615	WAL625948
		42	DAS 42 L A4GS	81.5	WAL627410	WAL624616	WAL625949	
S	800 (11603)	6	DAS 6 S A4GS	5.2	WAL627411	WAL624617	WAL625950	
		8	DAS 8 S A4GS	6.8	WAL627412	WAL624618	WAL625951	
		10	DAS 10 S A4GS	8.7	WAL627413	WAL624619	WAL625952	
		12	DAS 12 S A4GS	10.8	WAL627414	WAL624620	WAL625953	
	630 (9137)	14	DAS 14 S A4GS	14.3	WAL627415			
		16	DAS 16 S A4GS	17.2	WAL627416	WAL624621	WAL625954	
		20	DAS 20 S A4GS	28.7	WAL627417	WAL624622	WAL625955	
		400 (5801)	25	DAS 25 S A4GS	49.1	WAL627418	WAL624623	WAL625956
	30		DAS 30 S A4GS	62.9	WAL627419	WAL624624	WAL625957	
	38	DAS 38 S A4GS	89.5	WAL627420	WAL624625	WAL625958		

Special parts are available on request.

SNV ...

SNV ...-1.4571

- for steel, with taper and O-rings made from NBR* (e.g. Perbunan) at both ends
- for stainless steel (1.4571), with taper and O-rings made from FKM (e.g. Viton) at both ends
- in each case, one nut can be pushed back to the rear edge of the O-ring groove



F

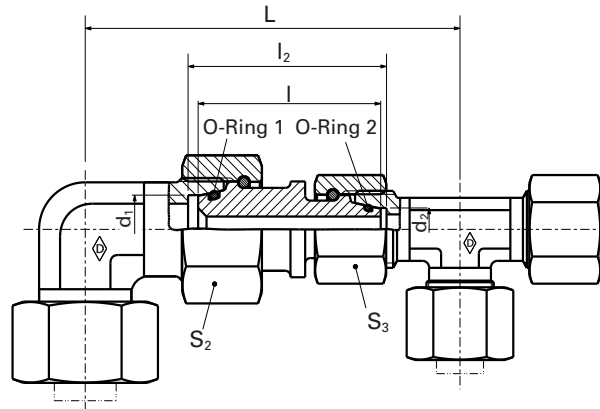
Series	PN bar (psi)	Tube outer diameter	Model	L	l	l ₂	S ₂	*O-ring	Fitting	Art. no.
									SNV ...	Stainless steel (1.4571) SNV ... -VI-1.4571**
L	500 (7252)	6	SNV 6 L	60	34	36	17	4.5 x 1.5	WAL372938	WAL605650
		8	SNV 8 L	64	34	36	17	6 x 1.5	WAL372939	WAL614821
		10	SNV 10 L	67	36	37	19	8.5 x 1.5	WAL372940	WAL614822
	400 (5801)	12	SNV 12 L	71	36	37	22	10 x 1.5	WAL372941	WAL602792
		15	SNV 15 L	82	39	40	27	12 x 2	WAL372942	WAL613125
		18	SNV 18 L	89.5	40.5	42.5	32	15 x 2	WAL372943	WAL613126
		22	SNV 22 L	102	45	47	36	20 x 2	WAL372944	WAL613249
	250 (3626)	28	SNV 28 L	110	47	49	46	26 x 2	WAL372945	WAL615448
		35	SNV 35 L	127	53	58	50	32 x 2.5	WAL372946	WAL615456
		42	SNV 42 L	139	53	59	60	38 x 2.5	WAL372947	WAL615609
S	800 (11603)	6	SNV 6 S	71	37	39	17	4.5 x 1.5	WAL372948	WAL617643
		8	SNV 8 S	73	37	39	19	6 x 1.5	WAL069234	WAL607143
		10	SNV 10 S	78	41	43	22	8.5 x 1.5	WAL068948	WAL613325
	630 (9137)	12	SNV 12 S	87	42	48	24	10 x 1.5	WAL068950	WAL604350
		14	SNV 14 S	92	45	48	27	12 x 2	WAL372949	WAL617644
		16	SNV 16 S	99	46	50	30	14 x 2	WAL068088	WAL610011
	420 (6091)	20	SNV 20 S	113	55	60	36	17.3 x 2.4	WAL681090	WAL605521
		25	SNV 25 S	126	58	66	46	22.3 x 2.4	WAL061763	WAL605522
	400 (5801)	30	SNV 30 S	144	62	73	50	27.3 x 2.4	WAL068099	WAL613266
		38	SNV 38 S	165	67	83	60	35 x 2.5	WAL061765	WAL606413

⚠ Caution: The pressure specifications refer to the steel version. For the stainless steel version (1.4571), please refer to the pressure specifications on page B5.

*For FPM (e.g. Viton) see price list / available on request

SNV .../.... L

- Reducer fittings
- with taper and O-rings made from NBR* (e.g. Perbunan) at both ends
- in each case, one nut can be pushed back to the rear edge of the O-ring groove
- Light-duty range



F

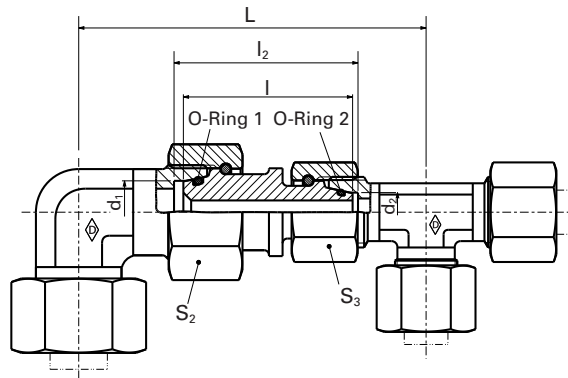
Series	PN bar (psi)	Tube outer diameter d ₁	Tube outer diameter d ₂	Model	L	l	l ₂	S ₁	S ₂	*O-ring 1	*O-ring 2	Art. no.	Fitting SNV .../...
L	500 (7252)	8	6	SNV 8/ 6 L	64	34	36	17	17	6 x 1.5	4.5 x 1.5	WAL612675	
		10	6	SNV 10/ 6 L	65.5	35	36.5	19	17	8.5 x 1.5	4.5 x 1.5	WAL612676	
		10	8	SNV 10/ 8 L	65.5	35	36.5	19	17	8.5 x 1.5	6 x 1.5	WAL612677	
		12	6	SNV 12/ 6 L	67.5	35	36.5	22	17	10 x 1.5	4.5 x 1.5	WAL612678	
		12	8	SNV 12/ 8 L	68.5	36	37.5	22	17	10 x 1.5	6 x 1.5	WAL374358	
		12	10	SNV 12/10 L	69.5	36.5	37.5	22	19	10 x 1.5	8.5 x 1.5	WAL612679	
	400 (5801)	15	8	SNV 15/ 8 L	73	36.5	38	27	17	12 x 2	6 x 1.5	WAL612680	
		15	10	SNV 15/10 L	74.5	37.5	38.5	27	19	12 x 2	8.5 x 1.5	WAL612681	
		15	12	SNV 15/12 L	83	44	45	27	22	12 x 2	10 x 1.5	WAL612682	
		18	10	SNV 18/10 L	78	38	39.5	32	19	15 x 2	8.5 x 1.5	WAL612683	
		18	12	SNV 18/12 L	80	38	39.5	32	22	15 x 2	10 x 1.5	WAL612684	
		18	15	SNV 18/15 L	91	45	46.5	32	27	15 x 2	12 x 2	WAL612685	
	250 (3626)	22	12	SNV 22/12 L	86.5	40.5	42	36	22	20 x 2	10 x 1.5	WAL612686	
		22	15	SNV 22/15 L	92	42	43.5	36	27	20 x 2	12 x 2	WAL612687	
		22	18	SNV 22/18 L	98	45	47	36	32	20 x 2	15 x 2	WAL612688	
		28	15	SNV 28/15 L	96	43	44.5	41	27	26 x 2	12 x 2	WAL612689	
		28	18	SNV 28/18 L	100	44	46	41	32	26 x 2	15 x 2	WAL612690	
		28	22	SNV 28/22 L	106	46	48	41	36	26 x 2	20 x 2	WAL612691	
35		18	SNV 35/18 L	109.5	48	51.5	50	32	32 x 2.5	15 x 2	WAL612692		
35		22	SNV 35/22 L	115	49.5	53	50	36	32 x 2.5	20 x 2	WAL612693		
35		28	SNV 35/28 L	118.5	50	53.5	50	46	32 x 2.5	26 x 2	WAL612694		
42		22	SNV 42/22 L	121	49.5	53.5	60	36	38 x 2.5	20 x 2	WAL612695		
42	28	SNV 42/28 L	124.5	50	54	60	46	38 x 2.5	26 x 2	WAL612696			
42	35	SNV 42/35 L	133	53	58.5	60	50	38 x 2.5	32 x 2.5	WAL612697			

*For FPM (e.g. Viton) see price list / available on request

Straight fittings

SNV .../ ... S

- Reducer fittings
- with taper and O-rings made from NBR* (e.g. Perbunan) at both ends
- in each case, one nut can be pushed back to the rear edge of the O-ring groove
- Heavy-duty range



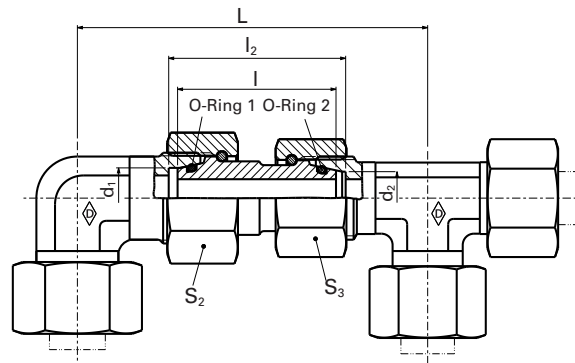
F

Series	PN bar (psi)	Tube outer diameter d ₁	Tube outer diameter d ₂	Model	L	I	I ₂	S ₁	S ₂	*O-ring 1	*O-ring 2	Fitting SNV .../ ... Art. no.
S	800 (11603)	8	6	SNV 8/ 6 S	72	37	39	19	17	6 x 1.5	4.5 x 1.5	WAL612698
		10	6	SNV 10/ 6 S	76	40.5	42.5	22	17	8.5 x 1.5	4.5 x 1.5	WAL612699
		10	8	SNV 10/ 8 S	75.5	39	41	22	19	8.5 x 1.5	6 x 1.5	WAL612700
	630 (9137)	12	6	SNV 12/ 6 S	80.5	39	43	24	17	10 x 1.5	4.5 x 1.5	WAL612701
		12	8	SNV 12/ 8 S	84.5	44	46	24	19	10 x 1.5	6 x 1.5	WAL612702
		12	10	SNV 12/10 S	82.5	41.5	43.5	24	22	10 x 1.5	8.5 x 1.5	WAL612703
		16	10	SNV 16/10 S	88.5	43.5	46.5	30	22	14 x 2.0	8.5 x 1.5	WAL612704
		16	12	SNV 16/12 S	96.5	47.5	50.5	30	24	14 x 2.0	10 x 1.5	WAL612705
	420 (6091)	20	12	SNV 20/12 S	100	48.5	52	36	24	17.3 x 2.4	10 x 1.5	WAL612706
		20	16	SNV 20/16 S	108	52.5	57	36	30	17.3 x 2.4	14 x 2	WAL612707
25		16	SNV 25/16 S	112.5	52	58	46	30	22.3 x 2.4	14 x 2	WAL612708	
25		20	SNV 25/20 S	121	58	64.5	46	36	22.3 x 2.4	17.3 x 2.4	WAL612709	
30		16	SNV 30/16 S	121.5	54	61.5	50	30	27.3 x 2.4	14 x 2	WAL612710	
30		20	SNV 30/20 S	128.5	58.5	66.5	50	36	27.3 x 2.4	17.3 x 2.4	WAL612711	
400 (5801)		30	25	SNV 30/25 S	135	60	69.5	50	46	27.3 x 2.4	22.3 x 2.4	WAL612712
38		20	SNV 38/20 S	139	61	71.5	60	36	35 x 2.5	17.3 x 2.4	WAL612713	
38	25	SNV 38/25 S	145.5	62.5	74.5	60	46	35 x 2.5	22.3 x 2.4	WAL612714		
38	30	SNV 38/30 S	154.5	64.5	78	60	50	35 x 2.5	27.3 x 2.4	WAL612715		

*For FPM (e.g. Viton) see price list / available on request

SNV ... L/S-S/L

- Reducer fittings
- with taper and O-rings made from NBR* (e.g. Perbunan) at both ends
- in each case, one nut can be pushed back to the rear edge of the O-ring groove



F





PN bar (psi)	Tube outer diameter d ₁	Tube outer diameter d ₂	Model	L	l	l ₂	S ₁	S ₂	*O-ring 1	*O-ring 2	Fitting
											SNV ... / ...
											Art. no.
400 (5801)	6	6	SNV 6L/ 6 S	67.5	35.5	37.5	17	17	4.5 x 1.5	4.5 x 1.5	WAL612716
	8	8	SNV 8L/ 8 S	68.5	35.5	37.5	17	19	6 x 1.5	6 x 1.5	WAL612717
	10	10	SNV 10L/10 S	72.5	38.5	40	19	22	8.5 x 1.5	8.5 x 1.5	WAL612718
	12	12	SNV 12L/12 S	79	39	40.5	22	24	10 x 1.5	10 x 1.5	WAL612719
	18	16	SNV 18L/16 S	94.5	43.5	46.5	32	30	15 x 2	14 x 2	WAL612720
250 (3626)	22	20	SNV 22L/20 S	107.5	50	53.5	36	36	20 x 2	17.3 x 2.4	WAL612721
	28	25	SNV 28L/25 S	118	52.5	57.5	46	46	26 x 2	22.3 x 2.4	WAL612722
	35	30	SNV 35L/30 S	139	61	69	50	50	32 x 2.5	27.3 x 2.4	WAL612723
	42	38	SNV 42L/38 S	147	55	66	60	60	38 x 2.5	35 x 2.5	WAL612724
400 (5801)	16	15	SNV 16S/15 L	90.5	42.5	45	30	27	14 x 2	12 x 2	WAL612725
	20	18	SNV 20S/18 L	101	47.5	51	36	32	17.3 x 2.4	15 x 2	WAL612726
250 (3626)	25	22	SNV 25S/22 L	119.5	57	62	46	36	22.3 x 2.4	20 x 2	WAL612727
	30	28	SNV 30S/28 L	131.5	59	65.5	50	46	27.3 x 2.4	26 x 2	WAL612728
	38	35	SNV 38S/35 L	148	62	72.5	60	50	35 x 2.5	32 x 2.5	WAL612729

*For FPM (e.g. Viton) see price list / available on request



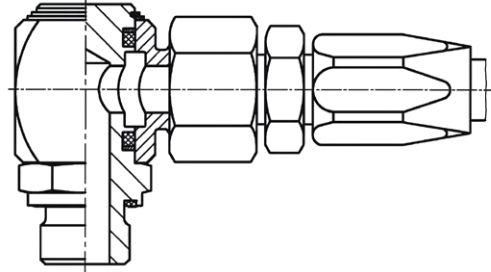
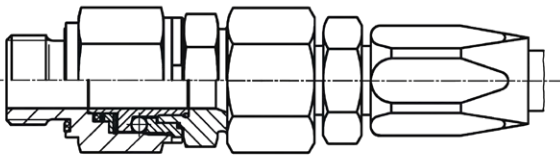
G1

Swivel studs

	Figure Fitting	Figure Stud	Model	Page	
				Technical information	G3
				Speed and starting torque	G4
Swivel fittings / swivel studs			P-DGWEV / DGWES ... R-WD	G5 / G6	
			P-DGWEV / DGWES ... M-WD	G7 / G8	
			P-DGWW / DGWS ...	G9 / G10	

Technical information

G



Application

Danfoss's Waltech swivels are connecting elements for the transmission of swivel and rotary movements between assemblies and tubes at low angular velocity.

The fittings are maintenance-free, prevent leakage losses and have low starting torques.

Note: The use of flexible fittings is recommended to compensate for any misalignment.

Safety

The nominal pressure ratings of the swivels are designed to provide a safety factor of 2.5. If used at lower pressure ranges, the safety factor will be higher accordingly.

Materials

Made from steel as standard. A stainless steel version (1.4571) is available on request.

Seals

The seals are made from NBR (e.g. Perbunan) as standard and can be easily replaced. In the case of special hydraulic fluids or higher operating temperatures, special sealing materials are available on request.

The service life of the sealing elements depends on the operating pressure and the sliding velocity. Seal kits are available on request.

Operating temperature

Temperature range of -30 °C to +100 °C

Speed and starting torque

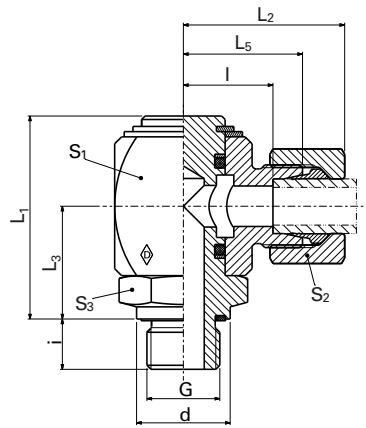
DN (mm)	Model DGWES ...	DGWS ...	Permissible speed (min-1) at an operating pressure of		Starting torque (reference value)	
			200 bar	400 bar	(Nm)	
5	6 LR	6 L	50	25	0.5 at	400 bar
	6 L/R 1/4	6 S				
	6 SR	8 S				
	8 SR					
	6 LM					
	6 L/M 12 x 1.5					
	8 LM					
	8 SM					
6	8 LR	8 L	40	20	2.8 at	400 bar
	10 LR	10 L				
	10 SR					
	12 L/R 1/4					
	8 L/M 14 x 1.5					
	10 LM					
	10 SM					
8	10 L/R 3/8	10 L	40	20	2.8 at	400 bar
	12 LR	12 S				
	12 SR					
	10 L/M 16 x 1.5					
	12 LM					
	12 SM					
10	12 L/R 1/2	12 L	40	20	2.8 at	400 bar
	14 SR	14 S				
	12 L/M 18 x 1.5					
	15 LM					
	14 SM					
13	15 LR	15 L	15	-	3.0 at	200 bar
	18 LR	16 S				
	16 SR					
	18 LM					
16	16 SM		15	-	3.0 at	200 bar
	22 LR	18 L				
	20 SR	20 S				
	22 LM					
20	20 SM		8	-	7.0 at	200 bar
	28 LR	22 L				
	25 SR	25 S				
	28 LM					
	25 SM					
25	35 LR	28 L	8	-	7.0 at	200 bar
	30 SR	30 S				
	35 LM					
	30 SM					
32	42 LR	35 L	4	-	7.0 at	200 bar
	38 SR	38 S				
	42 LM					
	38 SM					
40	-	42 L	4	-	7.0 at	200 bar

These specifications are provided for reference only. Factors such as temperature, the degree of contamination and whether or not the fittings were installed under stress will affect these values.



P-DGWEV ... R-WD

- with soft seal made from NBR* (e.g. Perbunan)
- Inch studs type E to DIN EN ISO 1179-2



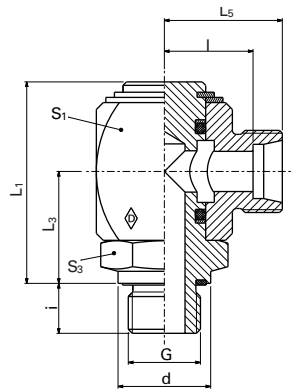
G

														Walpro P-DGWEV ...	
Series	PN bar (psi)	Tube outer diameter	DIN-ISO 228 (R ..., DIN 259) G	Model	L ₁	L ₂	L ₃	L ₅	I	i	d	S ₁	S ₂	S ₃	Art. no.
L	w250 (3626)	6	G 1/8 A	P-DGWEV 6 LR-WD	39	31	21.5	23.5	16.5	8	13.9	27	14	17	WAL607570
		6	G 1/4 A	P-DGWEV 6 L/R1/4-WD	40	31	22.5	23.5	16.5	12	18.9	27	14	19	WAL607571
		8	G 1/4 A	P-DGWEV 8 LR-WD	45.5	32.5	25	25	18	12	18.9	30	17	22	WAL607572
		10	G 1/4 A	P-DGWEV 10 LR-WD	45.5	33.5	25	26	19	12	18.9	30	19	22	WAL607573
		10	G 3/8 A	P-DGWEV 10 L/R3/8-WD	47.5	34.5	27	27	20	12	21.9	32	19	24	WAL607574
		12	G 3/8 A	P-DGWEV 12 LR-WD	47.5	34.5	27	27	20	12	21.9	32	22	24	WAL607575
	12	G 1/2 A	P-DGWEV 12 L/R1/2-WD	54	36.5	30	29	22	14	26.9	36	22	27	WAL607576	
	15	G 1/2 A	P-DGWEV 15 LR-WD	59	40	33	32	25	14	26.9	40	27	32	WAL607577	
	160 (2321)	18	G 1/2 A	P-DGWEV 18 LR-WD	59	40.5	33	32	24.5	14	26.9	40	32	32	WAL607578
	22	G 3/4 A	P-DGWEV 22 LR-WD	64	45	35.5	36.5	29	16	32.9	45	36	36	WAL607579	
S	100 (1450)	28	G 1 A	P-DGWEV 28 LR-WD	76	50.5	41.5	45.5	38	18	39.9	55	41	41	WAL607580
		35	G 1 1/4 A	P-DGWEV 35 LR-WD	92	59.5	51.5	48.5	38	20	49.9	65	50	50	WAL607581
		42	G 1 1/2 A	P-DGWEV 42 LR-WD	102	65	56.5	53.5	42.5	22	54.9	75	60	55	WAL607582
		6	G 1/4 A	P-DGWEV 6 SR-WD	40	33	22.5	25.5	18.5	12	18.9	27	17	19	WAL607583
	400 (5801)	8	G 1/4 A	P-DGWEV 8 SR-WD	40	33	22.5	25.5	18.5	12	18.9	27	19	19	WAL607584
		10	G 3/8 A	P-DGWEV 10 SR-WD	45.5	35.5	25	27	19.5	12	21.9	30	22	22	WAL607585
		12	G 3/8 A	P-DGWEV 12 SR-WD	47.5	36.5	27	28	20.5	12	21.9	32	24	24	WAL607586
		14	G 1/2 A	P-DGWEV 14 SR-WD	54	41.5	30	32	24	14	26.9	36	27	27	WAL607587
250 (3626)	16	G 1/2 A	P-DGWEV 16 SR-WD	59	43.5	33	34	25.5	14	26.9	40	30	32	WAL607588	
	20	G 3/4 A	P-DGWEV 20 SR-WD	64	49.5	35.5	38.5	28	16	31.9	45	36	36	WAL607589	
	25	G 1 A	P-DGWEV 25 SR-WD	76	57.5	41.5	45.5	33.5	18	39.9	55	46	41	WAL607590	
	30	G 1 1/4 A	P-DGWEV 30 SR-WD	92	65.5	51.5	52.5	39	20	49.9	65	50	50	WAL607591	
38	G 1 1/2 A	P-DGWEV 38 SR-WD	102	74	56.5	59.5	43.5	22	54.9	75	60	55	WAL607592		

L₂ = approximate dimension if the union nut is tightened

*For FPM (e.g. Viton) see price list / available on request

DGWES ... R-WD

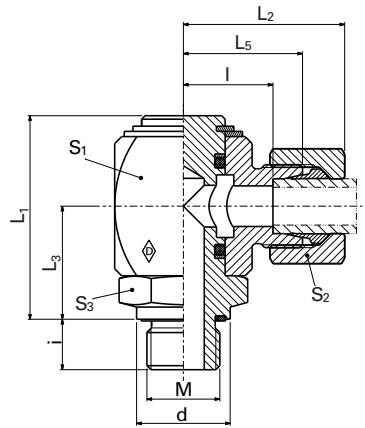


G

Series	PN bar (psi)	Tube outer diameter	DIN-ISO 228 (R ..., DIN 259) G	Model	Stud DGWES ... Art. no.	System nuts for supplementing the stud (for technical data, see part D of this catalog)		
						Walring W-R ... VI Art. no.	Walform WF-M ... VI Art. no.	
L	250 (3626)	6	G 1/8 A	DGWES 6 LR-WD	WAL608101	WAL624607	WAL625940	
		6	G 1/4 A	DGWES 6 L/R 1/4-WD	WAL608102	WAL624607	WAL625940	
		8	G 1/4 A	DGWES 8 LR-WD	WAL608103	WAL624608	WAL625941	
		10	G 1/4 A	DGWES 10 LR-WD	WAL608104	WAL624609	WAL625942	
		10	G 3/8 A	DGEWS 10 L/R 3/8-WD	WAL608105	WAL624609	WAL625942	
		12	G 3/8 A	DGWES 12 LR-WD	WAL608106	WAL624610	WAL625943	
		12	G 1/2 A	DGEWS 12 L/R 1/2-WD	WAL608107	WAL624610	WAL625943	
	160 (2321)	15	G 1/2 A	DGWES 15 LR-WD	WAL608108	WAL624611	WAL625944	
		18	G 1/2 A	DGWES 18 LR-WD	WAL608109	WAL624612	WAL625945	
		22	G 3/4 A	DGWES 22 LR-WD	WAL608110	WAL624613	WAL625946	
		28	G 1 A	DGWES 28 LR-WD	WAL608111	WAL624614	WAL625947	
		100 (1450)	35	G 1 1/4 A	DGWES 35 LR-WD	WAL608112	WAL624615	WAL625948
			42	G 1 1/2 A	DGWES 42 LR-WD	WAL608113	WAL624616	WAL625949
S	400 (5801)	6	G 1/4 A	DGWES 6 SR-WD	WAL608114	WAL624617	WAL625950	
		8	G 1/4 A	DGWES 8 SR-WD	WAL608115	WAL624618	WAL625951	
		10	G 3/8 A	DGWES 10 SR-WD	WAL608116	WAL624619	WAL625952	
		12	G 3/8 A	DGWES 12 SR-WD	WAL608117	WAL624620	WAL625953	
		14	G 1/2 A	DGWES 14 SR-WD	WAL608118			
	250 (3626)	16	G 1/2 A	DGWES 16 SR-WD	WAL608119	WAL624621	WAL625954	
		20	G 3/4 A	DGWES 20 SR-WD	WAL608120	WAL624622	WAL625955	
		25	G 1 A	DGWES 25 SR-WD	WAL608121	WAL624623	WAL625956	
		30	G 1 1/4 A	DGWES 30 SR-WD	WAL608122	WAL624624	WAL625957	
		38	G 1 1/2 A	DGWES 38 SR-WD	WAL608123	WAL624625	WAL625958	

P-DGWEV ... M-WD

- with soft seal made from NBR* (e.g. Perbunan)
- Metric stud type E to DIN EN ISO 9974-2



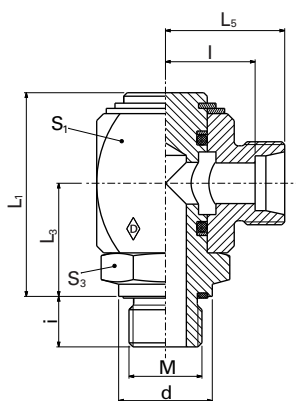
G

Series	PN bar (psi)	Tube outer diameter	M	Model	L ₁	L ₂	L ₃	L ₅	I	i	d	S ₁	S ₂	S ₃	Art. no.		
L	250 (3626)		6	M 10 x 1	P-DGWEV 6 LM-WD	39	31	21.5	23	16.5	8	13.9	27	14	17	WAL607593	
			6	M 12 x 1.5	P-DGWEV 6 L/M 12 x 1.5-WD	40	31	22.5	23	16.5	12	16.9	27	14	19	WAL607594	
			8	M 12 x 1.5	P-DGWEV 8 LM-WD	40	31	22.5	23	16.5	12	16.9	27	17	19	WAL607595	
			8	M 14 x 1.5	P-DGWEV 8 L/M 14 x 1.5-WD	45.5	32.5	25	25	18	12	18.9	30	17	22	WAL607596	
			10	M 14 x 1.5	P-DGWEV 10 LM-WD	45.5	33.5	25	26	19	12	18.9	30	19	22	WAL607597	
			10	M 16 x 1.5	P-DGWEV 10 L/M 16 x 1.5-WD	47.5	34.5	27	27	20	12	21.9	32	19	24	WAL607598	
			12	M 16 x 1.5	P-DGWEV 12 LM-WD	47.5	34.5	27	27	20	12	21.9	32	22	24	WAL607599	
			12	M 18 x 1.5	P-DGWEV 12 L/M 18 x 1.5-WD	54	36.5	30	29	22	12	23.9	36	22	27	WAL607600	
			15	M 18 x 1.5	P-DGWEV 15 LM-WD	54	38	30	30	23	12	23.9	36	27	27	WAL607601	
			160 (2321)	18	M 22 x 1.5	P-DGWEV 18 LM-WD	59	40.5	33	32	24.5	14	26.9	40	32	32	WAL607602
S	400 (5801)		22	M 26 x 1.5	P-DGWEV 22 LM-WD	64	45	35.5	36	29	16	31.9	45	36	36	WAL607603	
			28	M 33 x 2	P-DGWEV 28 LM-WD	76	50.5	41.5	41	34	18	39.9	55	41	41	WAL607604	
			35	M 42 x 2	P-DGWEV 35 LM-WD	92	59.5	51.5	48	38	20	49.9	65	50	50	WAL607605	
			42	M 48 x 2	P-DGWEV 42 LM-WD	102	65	56.5	53	42.5	22	54.9	75	60	55	WAL607606	
S	100 (1450)		6	M 12 x 1.5	P-DGWEV 6 SM-WD	40	33	22.5	25	18.5	12	16.9	27	17	19	WAL607607	
			8	M 14 x 1.5	P-DGWEV 8 SM-WD	40	33	22.5	25	18.5	12	18.9	27	19	19	WAL607608	
			10	M 16 x 1.5	P-DGWEV 10 SM-WD	45.5	35.5	25	27	19.5	12	21.9	30	22	22	WAL607609	
			12	M 18 x 1.5	P-DGWEV 12 SM-WD	47.5	36.5	27	28	20.5	12	23.9	32	24	24	WAL607610	
			14	M 20 x 1.5	P-DGWEV 14 SM-WD	54	41.5	30	32	24	14	25.9	36	27	27	WAL607611	
			16	M 22 x 1.5	P-DGWEV 16 SM-WD	59	43.5	33	34	25.5	14	26.9	40	30	32	WAL607612	
			20	M 27 x 2	P-DGWEV 20 SM-WD	64	49.5	35.5	38	28	16	31.9	45	36	36	WAL607613	
			250 (3626)	25	M 33 x 2	P-DGWEV 25 SM-WD	76	57.5	41.5	45	33.5	18	39.9	55	46	41	WAL607614
			30	M 42 x 2	P-DGWEV 30 SM-WD	92	65.5	51.5	52	39	20	49.9	65	50	50	WAL607615	
			38	M 48 x 2	P-DGWEV 38 SM-WD	102	74	56.5	59	43.5	22	54.9	75	60	55	WAL607616	

Walpro P-DGWEV ...

L₂ = approximate dimension if the union nut is tightened
 *For FPM (e.g. Viton) see price list / available on request

DGWES ... M-WD

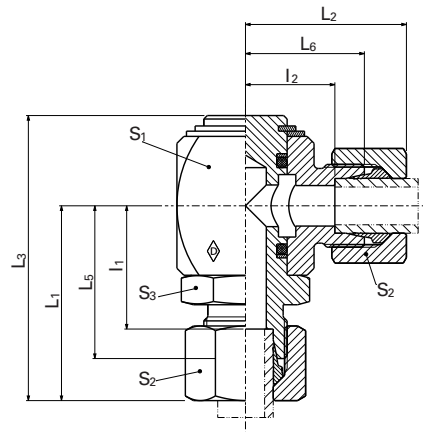


G

Series	PN bar (psi)	Tube outer diameter	M	Model	Stud DGWES ... Art. no.	System nuts for supplementing the stud (for technical data, see part D of this catalog)	
						Walring W-R ... VI Art. no.	Walform WF-M ... VI Art. no.
L	250 (3626)	6	M 10 x 1	DGWES 6 LM-WD	WAL608124	WAL624607	WAL625940
		6	M 12 x 1.5	DGWES 6 L/M 12 x 1.5-WD	WAL608125	WAL624607	WAL625940
		8	M 12 x 1.5	DGWES 8 LM-WD	WAL608126	WAL624608	WAL625941
		8	M 14 x 1.5	DGWES 8 L/M 14 x 1.5-WD	WAL608127	WAL624608	WAL625941
		10	M 14 x 1.5	DGWES 10 LM-WD	WAL608128	WAL624609	WAL625942
		10	M 16 x 1.5	DGWES 10 L/M 16 x 1.5-WD	WAL608129	WAL624609	WAL625942
		12	M 16 x 1.5	DGWES 12 LM-WD	WAL608130	WAL624610	WAL625943
		12	M 18 x 1.5	DGWES 12 L/M 18 x 1.5-WD	WAL608131	WAL624610	WAL625943
		15	M 18 x 1.5	DGWES 15 LM-WD	WAL608132	WAL624611	WAL625944
		160 (2321)	18	M 22 x 1.5	DGWES 18 LM-WD	WAL608133	WAL624612
S	400 (5801)	22	M 26 x 1.5	DGWES 22 LM-WD	WAL608134	WAL624613	WAL625946
		28	M 33 x 2	DGWES 28 LM-WD	WAL608135	WAL624614	WAL625947
		35	M 42 x 2	DGWES 35 LM-WD	WAL608136	WAL624615	WAL625948
		42	M 48 x 2	DGWES 42 LM-WD	WAL608137	WAL624616	WAL625949
		6	M 12 x 1.5	DGWES 6 SM-WD	WAL608138	WAL624617	WAL625950
S	250 (3626)	8	M 14 x 1.5	DGWES 8 SM-WD	WAL608139	WAL624618	WAL625951
		10	M 16 x 1.5	DGWES 10 SM-WD	WAL608140	WAL624619	WAL625952
		12	M 18 x 1.5	DGWES 12 SM-WD	WAL608141	WAL624620	WAL625953
		14	M 20 x 1.5	DGWES 14 SM-WD	WAL608142		
		16	M 22 x 1.5	DGWES 16 SM-WD	WAL608143	WAL624621	WAL625954
		20	M 27 x 2	DGWES 20 SM-WD	WAL608144	WAL624622	WAL625955
		25	M 33 x 2	DGWES 25 SM-WD	WAL608145	WAL624623	WAL625956
		30	M 42 x 2	DGWES 30 SM-WD	WAL608146	WAL624624	WAL625957
38	M 48 x 2	DGWES 38 SM-WD	WAL608147	WAL624625	WAL625958		

P-DGWW ...

- Tube connection at both ends

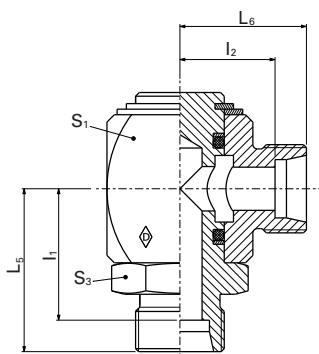


G

														Walpro P-DGWW ...
Series	PN bar (psi)	Tube outer diameter	Model	L ₁	L ₂	L ₃	L ₅	L ₆	I ₁	I ₂	S ₁	S ₂	S ₃	Art. no.
L	250 (3626)	6	P-DGWW 6 L	39	31	56.5	31.5	23.5	24.5	16.5	27	14	19	WAL373966
		8	P-DGWW 8 L	40.5	32.5	61	33	25	26	18	30	17	22	WAL373967
		10	P-DGWW 10 L	43.5	34.5	64	36	27	29	20	32	19	24	WAL373968
		12	P-DGWW 12 L	46.5	36.5	70.5	39	29	32	22	36	22	27	WAL373969
		15	P-DGWW 15 L	50	40	76	42	32	35	25	40	27	32	WAL373970
	160 (2321)	18	P-DGWW 18 L	55	43	83.5	46.5	34.5	39	27	45	32	36	WAL373971
		22	P-DGWW 22 L	63	50	97.5	54.5	41.5	47	34	55	36	41	WAL373972
	100 (1450)	28	P-DGWW 28 L	71.5	55.5	112	62.5	46.5	55	39	65	41	50	WAL373973
		35	P-DGWW 35 L	80.5	64.5	126	69.5	53.5	59	43	75	50	55	WAL373974
		42	P-DGWW 42 L	92.5	72.5	146.5	81	61	70	50	90	60	70	WAL373975
S	400 (5801)	6	P-DGWW 6 S	41	33	58.5	33.5	25.5	26.5	18.5	27	17	19	WAL373976
		8	P-DGWW 8 S	41	33	58.5	33.5	25.5	26.5	18.5	27	19	19	WAL373977
		10	P-DGWW 10 S	43.5	35.5	64	35	27	27.5	19.5	30	22	22	WAL373978
		12	P-DGWW 12 S	45.5	36.5	66	37	28	29.5	20.5	32	24	24	WAL373979
		14	P-DGWW 14 S	51.5	41.5	75.5	42	32	34	24	36	27	27	WAL373980
	250 (3626)	16	P-DGWW 16 S	63.5	43.5	79.5	44	34	35.5	25.5	40	30	32	WAL373981
		20	P-DGWW 20 S	61.5	49.5	90	50.5	38.5	40	28	45	36	36	WAL373982
		25	P-DGWW 25 S	70.5	57.5	105	58.5	45.5	46.5	33.5	55	46	41	WAL373983
		30	P-DGWW 30 S	81.5	65.5	122	68.5	52.5	55	39	65	50	50	WAL373984
		38	P-DGWW 38 S	90	74	135.5	75.5	59.5	59.5	43.5	75	60	55	WAL373985

L₁, L₂ and L₃ = approximate dimensions if the union nuts are tightened

DGWS ...










G

				System nuts for supplementing the stud (for technical data, see part D of this catalog)		
				Stud DGWS ...	Walring W-R ... VI	Walform WF-M ... VI
Series	PN bar (psi)	Tube outer diameter	Model	Art. no.	Art. no.	Art. no.
L	250 (3626)	6	DGWS 6 L	WAL060910	WAL624607	WAL625940
		8	DGWS 8 L	WAL060911	WAL624608	WAL625941
		10	DGWS 10 L	WAL060912	WAL624609	WAL625942
		12	DGWS 12 L	WAL060913	WAL624610	WAL625943
		15	DGWS 15 L	WAL060914	WAL624611	WAL625944
	160 (2321)	18	DGWS 18 L	WAL060915	WAL624612	WAL625945
		22	DGWS 22 L	WAL060916	WAL624613	WAL625946
		28	DGWS 28 L	WAL060917	WAL624614	WAL625947
	100 (1450)	35	DGWS 35 L	WAL060918	WAL624615	WAL625948
		42	DGWS 42 L	WAL060919	WAL624616	WAL625949
400 (5801)		6	DGWS 6 S	WAL060920	WAL624617	WAL625950
		8	DGWS 8 S	WAL060921	WAL624618	WAL625951
	10	DGWS 10 S	WAL060922	WAL624619	WAL625952	
	12	DGWS 12 S	WAL060923	WAL624620	WAL625953	
	14	DGWS 14 S	WAL060924			
	16	DGWS 16 S	WAL060925	WAL624621	WAL625954	
	20	DGWS 20 S	WAL060926	WAL624622	WAL625955	
	25	DGWS 25 S	WAL060927	WAL624623	WAL625956	
250 (3626)	30	DGWS 30 S	WAL060928	WAL624624	WAL625957	
	38	DGWS 38 S	WAL060929	WAL624625	WAL625958	

G2

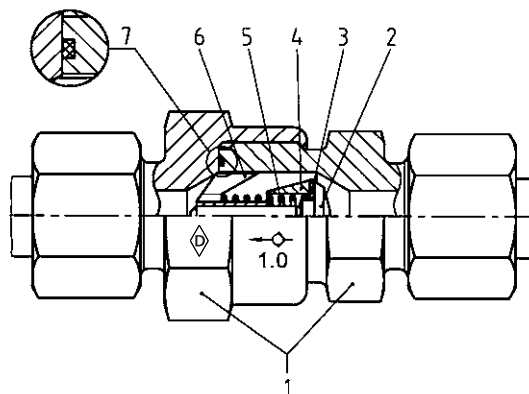
**Check valves, shuttle valves,
high-pressure ball valves**



	Figure Fitting	Figure Stud	Model	Page
			Technical information	G13
			Valve insert	G14
Check valve			P-RV / RS ...	G15 / G16
			P-RVV / RSV ... R-WD	G17 / G18
			P-RVV / RSV ... M-WD	G19 / G20
			P-RVZ / RSZ ... R-WD	G21 / G22
			P-RVZ / RSZ ... M-WD	G23 / G24
			Technical information	G25
Shuttle valve			P-TWV / TWS ...	G25 / G26
			Technical information	G27
High-pressure ball valve			KH-R ...	G28
			P-KHV / KHS ...	G29 / G30
			P-KH3KV / KH3KS ...	G31 / G32
			KH3KS-R ...	G33
			KH3S-R ...	G34

Technical information

1. Stud
2. Bolt
3. Sealing washer
4. Sleeve
5. Compression spring
6. Valve guide
7. O-ring



G

Applications

For use with hydraulic fluids and compressed air. To ensure the suitability of the valves for your application, please specify the medium, where necessary also the concentration level, the maximum operating pressure including pressure peaks, the temperature and the frequency of valve actuation.

Design and construction

Danfoss's Waltech check valves are equipped with 90° tapers and a sealing washer made from FPM (e.g. Viton).

The internal parts are designed to optimize the media flow.

Operating temperature

Temperature range of -20 °C to +100 °C

Materials

1. Stud:		galvanized steel
2. Bolt:		galvanized steel
3. Sealing washer:	FPM	
4. Sleeve:		galvanized steel
5. Compression spring:		steel
6. Valve guide:		
Tube outer diameter 6-28 mm:		brass
Tube outer diameter 30-42 mm:		galvanized steel
7. O-ring:		FPM

Opening pressures

The check valves come with a standard opening pressure of 1.0 bar. Alternative opening pressures from 0.5 to 3.0 bar are available on request.

Version

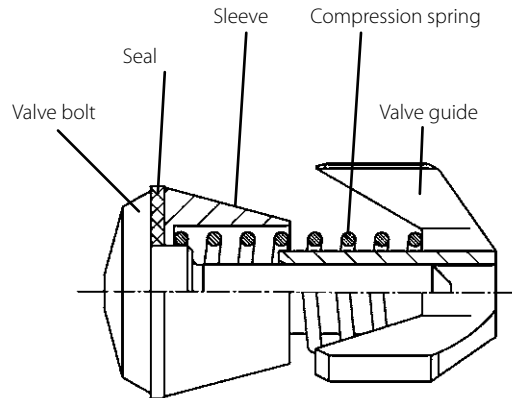
The port thread of the check valves is sealed by means of a soft seal. The opening pressure and flow direction are indicated on the valves.

Assembly

The valve bodies come fully assembled and with the required opening pressure. When connecting or dismantling the tubes, the hexagon socket closest to the union nut must be held firmly in place to prevent the sealing edge at the inside of the valve body from coming loose.

- for opening pressure of 1 bar
- fitting dimensions available on request

Nominal width	Tube outer diameter	Art. no.
6	6-12	WAL032431
10	14-18	WAL032438
16	20-28	WAL032445
25	30	WAL032451
32	35 - 42	WAL032457

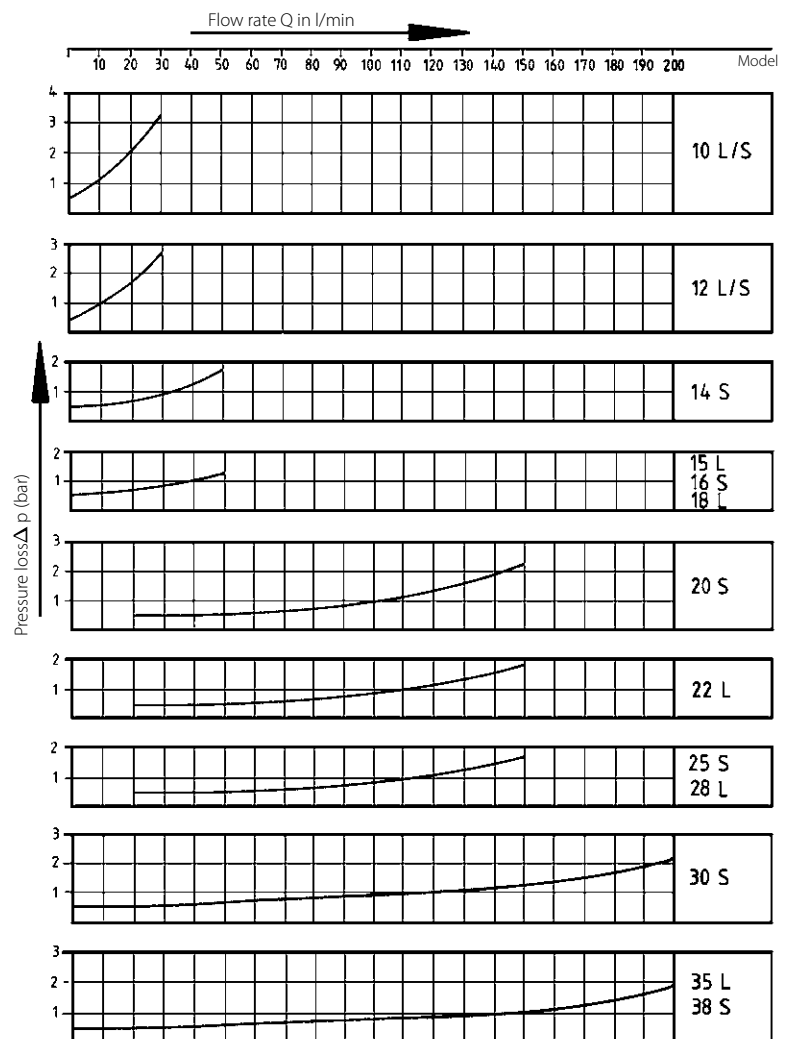
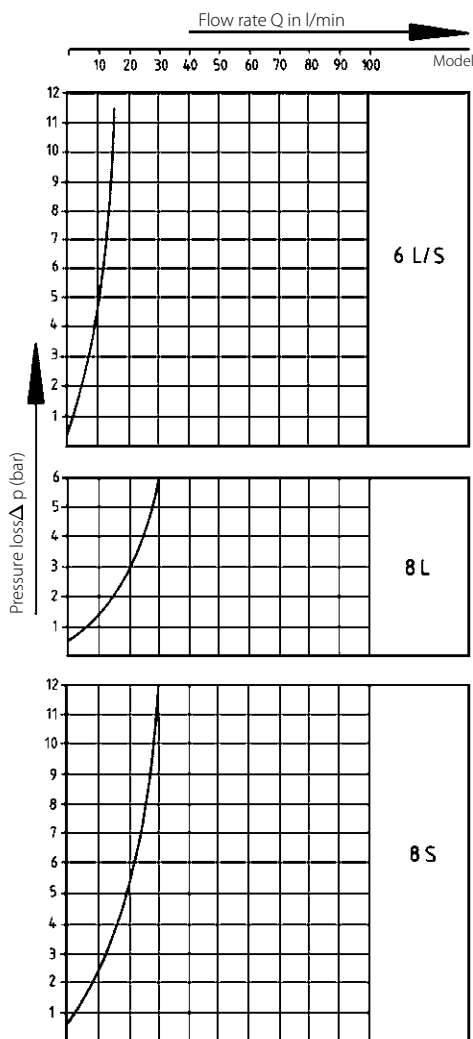


G

The valve insert with nominal size 16 must not be installed in reverse position.

Pressure loss if check valves are used

Measured using 35 mm² of hydraulic oil per second
Opening pressure 0.5 bar

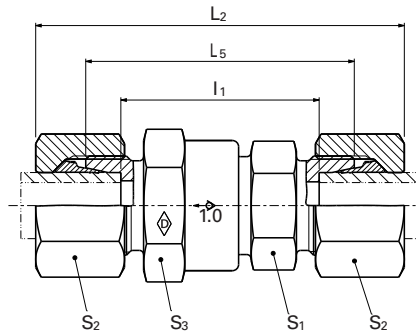


Check valve

P-RV ...

P-RV ... -1.4571

- Tube connection at both ends



G

												Walpro P-RV...		Walpro Stainless steel (1.4571) P-RV ... 1.4571*	
Series	PN bar (psi)	Tube outer diameter	Model	kg/100 pc.	L ₂	L ₅	L ₁	S ₁	S ₂	S ₃	Ø of outlet	Art. no.	Art. no.		
L	400 (5801)	6	P-RV 6 L	12.7	67	52	38	22	14	27	4.0	WAL374062	WAL620511		
		8	P-RV 8 L	14.7	67	52	38	22	17	27	6.0	WAL374063	WAL620510		
		10	P-RV 10 L	14.8	67	52	38	22	19	27	7.5	WAL374064	WAL620383		
		12	P-RV 12 L	19.1	68	53	39	22	22	27	7.5	WAL374065	WAL620461		
		15	P-RV 15 L	27.3	74	58	44	27	27	32	11.0	WAL374066	WAL620458		
	250 (3626)	18	P-RV 18 L	35.5	80	63	48	27	32	32	11.0	WAL374067	WAL620467		
		22	P-RV 22 L	61.8	92	75	60	41	36	46	18.5	WAL374068	WAL620404		
		28	P-RV 28 L	76.5	99	81	66	41	41	46	18.5	WAL374069	WAL620389		
		35	P-RV 35 L	168.0	114	92	71	60	50	70	29.0	WAL374070	WAL621556		
		42	P-RV 42 L	223.5	101	87	65	60	60	70	29.0	WAL374483	WAL621558		
S	400 (5801)	6	P-RV 6 S	14.1	71	56	42	22	17	27	4.0	WAL374071	WAL621559		
		8	P-RV 8 S	15.3	67	52	38	22	19	27	5.0	WAL374072	WAL620707		
		10	P-RV 10 S	17.2	71	54	39	22	22	27	7.0	WAL374073	WAL621546		
		12	P-RV 12 S	20.7	72	55	40	22	24	27	7.5	WAL374074	WAL620708		
		14	P-RV 14 S	30.0	81	62	46	27	27	32	10.0	WAL374075	WAL621549		
	250 (3626)	16	P-RV 16 S	34.9	84	65	48	27	30	32	11.0	WAL374076	WAL620709		
		20	P-RV 20 S	68.2	100	78	57	41	36	46	16.0	WAL374077	WAL621552		
		25	P-RV 25 S	94.5	105	81	57	41	46	46	18.5	WAL374078	WAL620349		
		30	P-RV 30 S	128.5	117	91	64	50	50	55	24.0	WAL374079	WAL621554		
		38	P-RV 38 S	234.7	128	99	67	60	60	70	29.0	WAL374080	WAL621557		

⚠ **Caution:** The pressure specifications refer to the steel version. For the stainless steel version (1.4571), please refer to the pressure specifications on page B5.

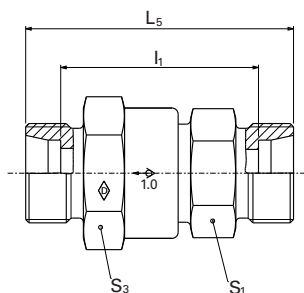
⚠ **Caution:** The dimensions of the stainless steel version deviate from the specified check-valve dimensions.

*For complete stainless steel fittings (1.4571) with silver-plated nut (AG/AGP), see price list

L₂ = approximate dimension if the union nut is tightened

				Art. no. of Walpro P-RV... (steel) with different opening pressures			
				0.1 bar	0.5 bar	2.0 bar	3.0 bar
Series	PN bar (psi)	Tube outer diameter	Model**	Art. no.	Art. no.	Art. no.	Art. no.
L	400 (5801)	6	P-RV 6 L / xx	WAL605586	WAL604490	WAL615163	WAL606308
		8	P-RV 8 L / xx	WAL604362	WAL374935	WAL609996	WAL604502
		10	P-RV 10 L / xx	WAL604404	WAL605089	WAL605683	WAL602863
		12	P-RV 12 L / xx	WAL604535	WAL603966	WAL604877	WAL604411
		15	P-RV 15 L / xx	WAL604478	WAL604384	WAL604645	WAL604727
	250 (3626)	18	P-RV 18 L / xx	WAL604527	WAL372782	WAL604646	WAL374961
		22	P-RV 22 L / xx	WAL604528	WAL604841	WAL605092	WAL605396
		28	P-RV 28 L / xx	WAL604632	WAL604653	WAL605209	WAL602566
		35	P-RV 35 L / xx		WAL372781	WAL604726	WAL604137
		42	P-RV 42 L / xx		WAL605397	WAL604669	WAL604670
S	400 (5801)	6	P-RV 6 S / xx		WAL605289		WAL609920
		8	P-RV 8 S / xx	WAL609999	WAL605288		WAL605499
		10	P-RV 10 S / xx	WAL606342	WAL606749	WAL610036	
		12	P-RV 12 S / xx	WAL610000	WAL604289		WAL604290
		16	P-RV 16 S / xx	WAL605429	WAL602989	WAL605583	WAL604270
	250 (3626)	20	P-RV 20 S / xx	WAL604798	WAL605428	WAL606991	WAL604945
		25	P-RV 25 S / xx	WAL605589	WAL604329	WAL604621	WAL605151
		30	P-RV 30 S / xx		WAL604675	WAL605390	WAL605416
		38	P-RV 38 S / xx		WAL604608	WAL604316	WAL604622

**e.g. P-RV 6L / 0.1

RS ...
RS ... -1.4571

G

 System nuts for supplementing the stud
 (for technical data, see part D of this catalog)

Series	PN bar (psi)	Tube outer diameter	Model	kg/100 pc.	Art. no.	Stud	Walring	Walform	Walform	
						RS ...	W-R ... VI	WF-M ... VI	WF-M ... VI -1.4571*	
L	400 (5801)	6	RS 6 L	12.0	WAL068052	Stainless steel (1.4571) RS ... -1.4571	WAL624607	WAL625940	WAL625980	
		8	RS 8 L	12.5	WAL067394	WAL604852	WAL624608	WAL625941	WAL625981	
		10	RS 10 L	11.5	WAL067395	WAL604850	WAL624609	WAL625942	WAL625982	
		12	RS 12 L	12.5	WAL066490	WAL602518	WAL370758	WAL624610	WAL625943	WAL625983
		15	RS 15 L	18.5	WAL067396	WAL602473	WAL624611	WAL625944	WAL625984	
	250 (3626)	18	RS 18 L	23.0	WAL063191	WAL604499	WAL624612	WAL625945	WAL625985	
		22	RS 22 L	51.1	WAL067397	WAL603962	WAL624613	WAL625946	WAL625986	
		28	RS 28 L	57.0	WAL066743	WAL602724	WAL624614	WAL625947	WAL625987	
		35	RS 35 L	130.5	WAL067398	WAL617645	WAL624615	WAL625948	WAL625988	
		42	RS 42 L	123.4	WAL067399	WAL617646	WAL624616	WAL625949	WAL625989	
S	400 (5801)	6	RS 6 S	13.0	WAL067400	WAL617647	WAL624617	WAL625950	WAL625990	
		8	RS 8 S	12.0	WAL067401	WAL607288	WAL624618	WAL625951	WAL625991	
		10	RS 10 S	13.0	WAL067402	WAL617648	WAL624619	WAL625952	WAL625992	
		12	RS 12 S	14.0	WAL063381	WAL602552	WAL624620	WAL625953	WAL625993	
		14	RS 14 S	18.5	WAL067403	WAL617649				
	250 (3626)	16	RS 16 S	22.0	WAL025190	WAL606504	WAL624621	WAL625954	WAL625994	
		20	RS 20 S	66.2	WAL067404	WAL374975	WAL624622	WAL625955	WAL625995	
		25	RS 25 S	53.0	WAL067405	WAL372145	WAL624623	WAL625956	WAL625996	
		30	RS 30 S	81.0	WAL067406	WAL617650	WAL624624	WAL625957	WAL625997	
		38	RS 38 S	136.8	WAL067407	WAL374976	WAL624625	WAL625958	WAL625998	

⚠ **Caution:** The pressure specifications refer to the steel version. For the stainless steel version (1.4571), please refer to the pressure specifications on page B5.

⚠ **Caution:** The dimensions of the stainless steel version deviate from the specified check-valve dimensions.

Series	PN bar (psi)	Tube outer diameter	Model**	Art. no. of studs RS ... (steel) with different opening pressures			
				0.1 bar	0.5 bar	2.0 bar	3.0 bar
L	400 (5801)	6	RS 6 L /xx	WAL624116	WAL371999		WAL627053
		8	RS 8 L /xx	WAL624917	WAL372294	WAL370555	WAL618555
		10	RS 10 L /xx	WAL608429	WAL608962	WAL370556	WAL606715
		12	RS 12 L /xx	WAL610468	WAL371106	WAL371822	WAL371196
		15	RS 15 L /xx	WAL610624	WAL609797	WAL607987	WAL372975
	250 (3626)	18	RS 18 L /xx	WAL619778	WAL602671	WAL063188	WAL608970
		22	RS 22 L /xx	WAL624167	WAL067672	WAL607369	WAL602755
		28	RS 28 L /xx	WAL615505	WAL602668	WAL608083	WAL602669
		35	RS 35 L /xx	WAL370787	WAL370787	WAL371068	WAL371491
		42	RS 42 L /xx	WAL610697	WAL610697	WAL609691	WAL604484
S	400 (5801)	6	RS 6 S /xx			WAL614211	
		8	RS 8 S /xx	WAL623859	WAL615253		WAL619735
		10	RS 10 S /xx	WAL623351	WAL372300	WAL627054	
		12	RS 12 S /xx	WAL623317	WAL602670	WAL611683	WAL602553
		16	RS 16 S /xx	WAL618541	WAL615749	WAL609716	WAL610676
	250 (3626)	20	RS 20 S /xx	WAL618542	WAL372545	WAL624143	WAL063189
		25	RS 25 S /xx	WAL623421	WAL609709	WAL374824	WAL605407
		30	RS 30 S /xx		WAL612782		WAL612783
	38	RS 38 S /xx		WAL613331	WAL615780	WAL608243	

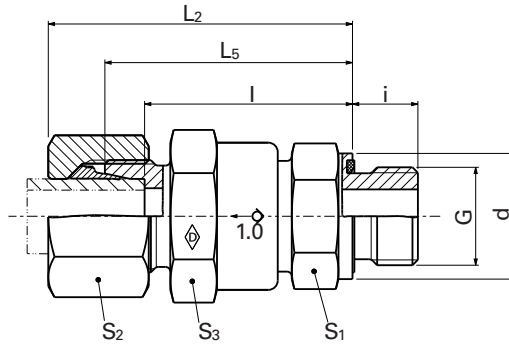
**e.g. RS 6L / 0.1

Male check valve

P-RVV ... R-WD

P-RVV ... R-WD-1.4571

- Flow from male studs
- with soft seal made from NBR** (e.g. Perbunan) for steel
- with soft seal made from FKM (e.g. Viton) for stainless steel (1.4571)
- Inch studs type E to DIN EN ISO 1179-2



G

Series	PN bar (psi)	Tube outer diameter	DIN-ISO 228 (R..., DIN 259)	Model	kg/100 pc.	d	L ₂	L ₅	L	i	S ₁	S ₂	S ₃	Ø of outlet	Walpro	Walpro	
															P-RVV... R-WD	Stainless steel (1.4571) P-RVV ... R-WD-1.4571*	
																Art. no.	Art. no.
L	400 (5801)	6	G 1/8 A	P-RVV 6 LR-WD	11.5	13.9	50.5	43	36	8	22	14	27	4.0	WAL373986	WAL621595	
		8	G 1/4 A	P-RVV 8 LR-WD	13.5	18.9	50.5	43	36	12	22	17	27	6.0	WAL373987	WAL621599	
		10	G 1/4 A	P-RVV 10 LR-WD	12.8	18.9	48.5	41	34	12	22	19	27	6.0	WAL373988	WAL621562	
		12	G 3/8 A	P-RVV 12 LR-WD	16.9	21.9	53.5	46	39	12	22	22	27	7.5	WAL373989	WAL621566	
		15	G 1/2 A	P-RVV 15 LR-WD	23.7	26.9	56	48	41	14	27	27	32	11.0	WAL373990	WAL621572	
	250 (3626)	18	G 1/2 A	P-RVV 18 LR-WD	28.9	26.9	61.5	53	45.5	14	27	32	32	11.0	WAL373991	WAL621576	
		22	G 3/4 A	P-RVV 22 LR-WD	52.3	31.9	69.5	61	53.5	16	41	36	46	18.0	WAL373992	WAL621580	
		28	G 1 A	P-RVV 28 LR-WD	68.3	39.9	77	68	60.5	18	41	41	46	20.0	WAL373993	WAL621584	
		35	G 1 1/4 A	P-RVV 35 LR-WD	155.5	49.9	88.5	77.5	67	20	60	50	70	29.0	WAL373994	WAL621588	
		42	G 1 1/2 A	P-RVV 42 LR-WD	161.2	54.9	87.5	75.5	64.5	22	60	60	70	29.0	WAL602441	WAL621592	
S	400 (5801)	6	G 1/4 A	P-RVV 6 SR-WD	13.3	18.9	52.5	45	38	12	22	17	27	4.0	WAL373995	WAL621597	
		8	G 1/4 A	P-RVV 8 SR-WD	13.8	18.9	50.5	43	36	12	22	19	27	5.0	WAL373996	WAL621600	
		10	G 3/8 A	P-RVV 10 SR-WD	15.5	21.9	53.5	45	37.5	12	22	22	27	7.5	WAL373997	WAL621564	
		12	G 3/8 A	P-RVV 12 SR-WD	18.1	21.9	55.5	47	39.5	12	22	24	27	7.5	WAL373998	WAL621568	
		14	G 1/2 A	P-RVV 14 SR-WD	24.7	26.9	59.5	50	42	14	27	27	32	10.0	WAL373999	WAL621570	
	250 (3626)	16	G 1/2 A	P-RVV 16 SR-WD	28.3	26.9	62.5	53	44.5	14	27	30	32	11.0	WAL374000	WAL621574	
		20	G 3/4 A	P-RVV 20 SR-WD	55.3	31.9	74	63	52.5	16	41	36	46	16.0	WAL374001	WAL621578	
		25	G 1 A	P-RVV 25 SR-WD	73.6	39.9	77	65	53	18	41	46	46	20.0	WAL374002	WAL621582	
		30	G 1 1/4 A	P-RVV 30 SR-WD	105.3	49.9	87	74	60.5	20	50	50	55	24.0	WAL374003	WAL621586	
		38	G 1 1/2 A	P-RVV 38 SR-WD	200.4	54.9	96	81.5	65.5	22	60	60	70	29.0	WAL374004	WAL621590	

⚠ Caution: The pressure specifications refer to the steel version. For the stainless steel version (1.4571), please refer to the pressure specifications on page B5.

⚠ Caution: The dimensions of the stainless steel version deviate from the specified check-valve dimensions.

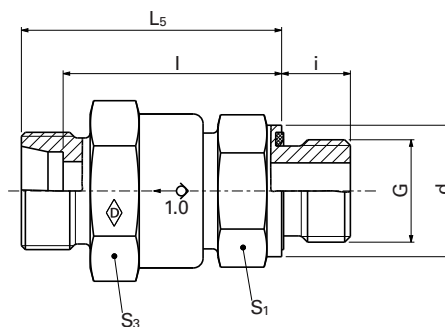
*For complete stainless steel fittings (1.4571) with silver-plated nut (AG/AGP), see price list

L₂= approximate dimension if the union nut is tightened

**FPM (e.g. Viton) see price list / available on request

				Art. no. of Walpro P-RVV... R-WD (steel) with different opening pressures			
				0.1 bar	0.5 bar	2.0 bar	3.0 bar
Series	PN bar (psi)	Tube outer diameter	Model**	Art. no.	Art. no.	Art. no.	Art. no.
L	400 (5801)	6	P-RVV 6 LR-WD /xx	WAL604825	WAL606085	WAL608600	WAL607293
		8	P-RVV 8 LR-WD /xx	WAL610001	WAL606086	WAL609791	WAL612750
		10	P-RVV 10 LR-WD /xx	WAL604692	WAL606087	WAL623997	WAL607096
		12	P-RVV 12 LR-WD /xx	WAL608625	WAL604700	WAL604701	WAL605199
		15	P-RVV 15 LR-WD /xx	WAL374936	WAL606461	WAL610393	WAL605242
	250 (3626)	18	P-RVV 18 LR-WD /xx	WAL605543	WAL601077	WAL604815	WAL603948
		22	P-RVV 22 LR-WD /xx	WAL374937	WAL604772	WAL610398	WAL602657
		28	P-RVV 28 LR-WD /xx	WAL604904	WAL604300	WAL605503	WAL602642
		35	P-RVV 35 LR-WD /xx		WAL606410	WAL610399	
		42	P-RVV 42 LR-WD /xx		WAL605550	WAL606742	WAL609995
S	400 (5801)	6	P-RVV 6 SR-WD /xx		WAL604976		WAL611475
		8	P-RVV 8 SR-WD /xx	WAL610002			
		10	P-RVV 10 SR-WD /xx	WAL604543	WAL604495		
		12	P-RVV 12 SR-WD /xx	WAL610003	WAL617074	WAL604533	WAL604816
		16	P-RVV 16 SR-WD /xx	WAL608994	WAL603896		WAL606984
	250 (3626)	20	P-RVV 20 SR-WD /xx	WAL604978	WAL605291	WAL606741	WAL604733
		25	P-RVV 25 SR-WD /xx		WAL605290	WAL606741	WAL605292
		30	P-RVV 30 SR-WD /xx		WAL605294	WAL605293	WAL606988
	38	P-RVV 38 SR-WD /xx		WAL604063	WAL606996		

**e.g. P-RVV 6LR-WD / 0.1

RSV ... R-WD
RSV ... R-WD-1.4571

 System nuts for supplementing the stud
 (for technical data, see part D of this catalog)

G

Series	PN bar (psi)	Tube outer diameter	DIN-ISO 228 (R..., DIN 259) G	Model	kg/100 pc.	Art. no.	Art. no.	System nuts for supplementing the stud (for technical data, see part D of this catalog)		
								Stud RSV ... R-WD	Stud Stainless steel (1.4571) RSV ... R-WD-1.4571	Walring W-R ... VI
L	400 (5801)	6	G 1/8 A	RSV 6 LR-WD	12.0	WAL374839	WAL617651	WAL624607	WAL625940	WAL625980
		8	G 1/4 A	RSV 8 LR-WD	12.0	WAL370763	WAL605386	WAL624608	WAL625941	WAL625981
		10	G 1/4 A	RSV 10 LR-WD	11.5	WAL371045	WAL607115	WAL624609	WAL625942	WAL625982
		12	G 3/8 A	RSV 12 LR-WD	14.0	WAL068470	WAL617652	WAL624610	WAL625943	WAL625983
		15	G 1/2 A	RSV 15 LR-WD	19.0	WAL371264	WAL602751	WAL624611	WAL625944	WAL625984
	250 (3626)	18	G 1/2 A	RSV 18 LR-WD	23.0	WAL602598	WAL605216	WAL624612	WAL625945	WAL625985
		22	G 3/4 A	RSV 22 LR-WD	47.0	WAL060241	WAL604623	WAL624613	WAL625946	WAL625986
		28	G 1 A	RSV 28 LR-WD	52.5	WAL371746	WAL604216	WAL624614	WAL625947	WAL625987
		35	G 1 1/4 A	RSV 35 LR-WD	137.0	WAL372025	WAL605066	WAL624615	WAL625948	WAL625988
		42	G 1 1/2 A	RSV 42 LR-WD	140.0	WAL609782	WAL617653	WAL624616	WAL625949	WAL625989
S	400 (5801)	6	G 1/4 A	RSV 6 SR-WD	13.0	WAL612743	WAL617654	WAL624617	WAL625950	WAL625990
		8	G 1/4 A	RSV 8 SR-WD	12.0	WAL372786	WAL604974	WAL624618	WAL625951	WAL625991
		10	G 3/8 A	RSV 10 SR-WD	13.5	WAL371265	WAL605012	WAL624619	WAL625952	WAL625992
		12	G 3/8 A	RSV 12 SR-WD	14.5	WAL061960	WAL371656	WAL624620	WAL625953	WAL625993
		14	G 1/2 A	RSV 14 SR-WD	19.5	WAL618611	WAL602875			
	250 (3626)	16	G 1/2 A	RSV 16 SR-WD	23.0	WAL371105	WAL602472	WAL624621	WAL625954	WAL625994
		20	G 3/4 A	RSV 20 SR-WD	59.5	WAL371197	WAL617655	WAL624622	WAL625955	WAL625995
		25	G 1 A	RSV 25 SR-WD	54.0	WAL371745	WAL617656	WAL624623	WAL625956	WAL625996
		30	G 1 1/4 A	RSV 30 SR-WD	86.0	WAL370764	WAL617657	WAL624624	WAL625957	WAL625997
		38	G 1 1/2 A	RSV 38 SR-WD	144.1	WAL372026	WAL617658	WAL624625	WAL625958	WAL625998

⚠ Caution: The pressure specifications refer to the steel version. For the stainless steel version (1.4571), please refer to the pressure specifications on page B5.

⚠ Caution: The dimensions of the stainless steel version deviate from the specified check-valve dimensions.

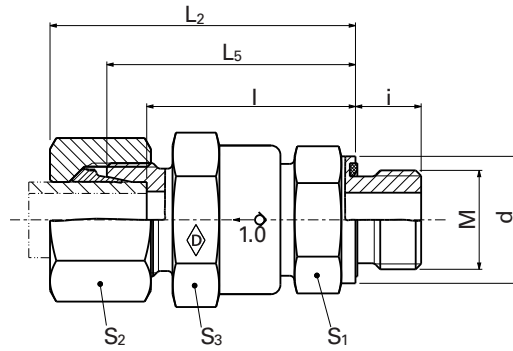
Series	PN bar (psi)	Tube outer diameter	Model**	Art. no. of studs RSV ... R-WD (steel) with different opening pressures			
				0.1 bar	0.5 bar	2.0 bar	3.0 bar
L	400 (5801)	6	RSV 6 LR-WD /xx	WAL371380			
		8	RSV 8 LR-WD /xx		WAL615264		
		10	RSV 10 LR-WD /xx		WAL372116	WAL615341	WAL609998
		12	RSV 12 LR-WD /xx	WAL610714	WAL609753		WAL612276
		15	RSV 15 LR-WD /xx	WAL627128	WAL624124		WAL615655
	250 (3626)	18	RSV 18 LR-WD /xx	WAL612871	WAL614222		WAL611552
		22	RSV 22 LR-WD /xx	WAL626560	WAL619704	WAL617116	WAL610629
		28	RSV 28 LR-WD /xx	WAL606804	WAL606077	WAL371720	WAL611626
		35	RSV 35 LR-WD /xx				
		42	RSV 42 LR-WD /xx		WAL624117	WAL625906	
S	400 (5801)	6	RSV 6 SR-WD /xx				
		8	RSV 8 SR-WD /xx	WAL624159	WAL610480		
		10	RSV 10 SR-WD /xx		WAL604330		WAL619702
		12	RSV 12 SR-WD /xx		WAL604331		
	250 (3626)	16	RSV 16 SR-WD /xx	WAL623436	WAL617097		WAL624206
		20	RSV 20 SR-WD /xx		WAL614224		WAL618545
		25	RSV 25 SR-WD /xx	WAL618544	WAL606645		WAL610542
		30	RSV 30 SR-WD /xx		WAL604487		WAL615601
	38	RSV 38 SR-WD /xx		WAL615662			

**e.g. RSV 6LR-WD / 0.1

Male check valve

P-RVV ... M-WD

- Flow from male studs
- with soft seal made from NBR* (e.g. Perbunan)
- Metric stud type E to DIN EN ISO 9974-2



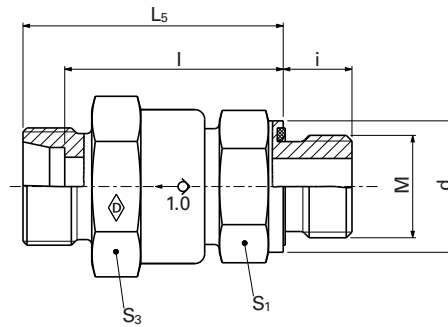
G

Series	PN bar (psi)	Tube outer diameter	M	Model	kg/100 pc.	d	L ₂	L ₅	L	i	S ₁	S ₂	S ₃	Ø of outlet	Art. no.
L	400 (5801)	6	M 10 x 1	P-RVV 6 LM-WD	11.5	13.9	50.5	43	36	8	22	14	27	4.0	WAL374005
		8	M 12 x 1.5	P-RVV 8 LM-WD	13.0	16.9	50.5	43	36	12	22	17	27	6.0	WAL374006
		10	M 14 x 1.5	P-RVV 10 LM-WD	12.6	18.9	48.5	41	34	12	22	19	27	7.0	WAL374007
		12	M 16 x 1.5	P-RVV 12 LM-WD	16.5	21.9	53.5	46	39	12	22	22	27	7.5	WAL374008
		15	M 18 x 1.5	P-RVV 15 LM-WD	21.2	23.9	56	48	41	12	27	27	32	11.0	WAL374009
	250 (3626)	18	M 22 x 1.5	P-RVV 18 LM-WD	29.7	29.9	61.5	53	45.5	14	27	32	32	11.0	WAL374010
		22	M 26 x 1.5	P-RVV 22 LM-WD	51.6	31.9	69.5	61	53.5	16	41	36	46	18.0	WAL374011
		28	M 33 x 2	P-RVV 28 LM-WD	68.2	39.9	77	68	60.5	18	41	41	46	18.5	WAL374012
		35	M 42 x 2	P-RVV 35 LM-WD	155.5	49.9	88.5	77.5	67	20	60	50	70	29.0	WAL374013
		42	M 48 x 2	P-RVV 42 LM-WD	161.2	54.9	87.5	75.5	64.5	22	60	60	70	29.0	WAL609988
S	400 (5801)	6	M 12 x 1.5	P-RVV 6 SM-WD	12.8	16.9	52.5	45	38	12	22	17	27	4.0	WAL374014
		8	M 14 x 1.5	P-RVV 8 SM-WD	13.6	18.9	50.5	43	36	12	22	19	27	5.0	WAL374015
		10	M 16 x 1.5	P-RVV 10 SM-WD	15.1	21.9	53.5	45	37.5	12	22	22	27	7.0	WAL374016
		12	M 18 x 1.5	P-RVV 12 SM-WD	18.7	23.9	55.5	47	39.5	12	24	24	27	7.5	WAL374017
	250 (3626)	14	M 20 x 1.5	P-RVV 14 SM-WD	24.5	25.9	59.5	50	42	14	27	27	32	10.0	WAL374018
		16	M 22 x 1.5	P-RVV 16 SM-WD	29.1	26.9	62.5	53	44.5	14	27	30	32	11.0	WAL374019
		20	M 27 x 2	P-RVV 20 SM-WD	55.3	31.9	74	63	52.5	16	41	36	46	16.0	WAL374020
		25	M 33 x 2	P-RVV 25 SM-WD	73.5	39.9	77	65	53	18	41	46	46	18.5	WAL374021
30	M 42 x 2	P-RVV 30 SM-WD	105.3	49.9	87	74	60.5	20	50	50	55	24.0	WAL374022		
38	M 48 x 2	P-RVV 38 SM-WD	200.4	54.9	96	81.5	65.5	22	60	60	70	29.0	WAL374023		

L₂ = approximate dimension if the union nut is tightened

*For FPM (e.g. Viton) see price list / available on request

RSV ... M-WD



G

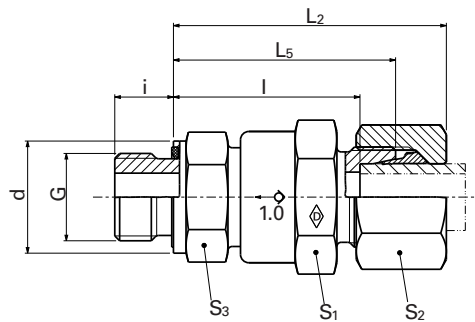
System nuts for supplementing the stud
(for technical data, see part D of this catalog)

Series	PN bar (psi)	Tube outer diameter	M	Model	Art. no.	System nuts for supplementing the stud (for technical data, see part D of this catalog)	
						Stud RSV ... M-WD	Walring W-R ... VI
L	400 (5801)	6	M 10 x 1	RSV 6 LM-WD	WAL610475	WAL624607	WAL625940
		8	M 12 x 1.5	RSV 8 LM-WD	WAL374842	WAL624608	WAL625941
		10	M 14 x 1.5	RSV 10 LM-WD	WAL067897	WAL624609	WAL625942
		12	M 16 x 1.5	RSV 12 LM-WD	WAL607416	WAL624610	WAL625943
		15	M 18 x 1.5	RSV 15 LM-WD	WAL067988	WAL624611	WAL625944
	250 (3626)	18	M 22 x 1.5	RSV 18 LM-WD	WAL372118	WAL624612	WAL625945
		22	M 26 x 1.5	RSV 22 LM-WD	WAL061479	WAL624613	WAL625946
		28	M 33 x 2	RSV 28 LM-WD	WAL604421	WAL624614	WAL625947
		35	M 42 x 2	RSV 35 LM-WD	WAL615467	WAL624615	WAL625948
		42	M 48 x 2	RSV 42 LM-WD	WAL615468	WAL624616	WAL625949
S	400 (5801)	6	M 12 x 1.5	RSV 6 SM-WD	WAL615469	WAL624617	WAL625950
		8	M 14 x 1.5	RSV 8 SM-WD	WAL615214	WAL624618	WAL625951
		10	M 16 x 1.5	RSV 10 SM-WD	WAL371695	WAL624619	WAL625952
		12	M 18 x 1.5	RSV 12 SM-WD	WAL371496	WAL624620	WAL625953
		14	M 20 x 1.5	RSV 14 SM-WD	WAL609976		
	250 (3626)	16	M 22 x 1.5	RSV 16 SM-WD	WAL371266	WAL624621	WAL625954
		20	M 27 x 2	RSV 20 SM-WD	WAL609900	WAL624622	WAL625955
		25	M 33 x 2	RSV 25 SM-WD	WAL025201	WAL624623	WAL625956
		30	M 42 x 2	RSV 30 SM-WD	WAL609901	WAL624624	WAL625957
		38	M 48 x 2	RSV 38 SM-WD	WAL068471	WAL624625	WAL625958

P-RVZ ... R-WD

P-RVZ ... R-WD-1.4571

- Flow to male studs
- with soft seal made from NBR** (e.g. Perbunan) for steel
- with soft seal made from FKM (e.g. Viton) for stainless steel (1.4571)
- Inch studs type E to DIN EN ISO 1179-2



G

Series	PN bar (psi)	Tube outer diameter	DIN-ISO 228 (R..., DIN 259) G	Model	kg/100 pc.	d	L ₂	L ₅	L	i	S ₁	S ₂	S ₃	Ø of outlet	Walpro P-RVZ... R-WD	Walpro Stainless steel (1.4571) P-RVZ ... R-WD-1.4571*
															Art. no.	Art. no.
L	400 (5801)	6	G 1/8 A	P-RVZ 6 LR-WD	11.5	13.9	50.5	43	36	8	22	14	27	4.0	WAL374024	WAL621634
		8	G 1/4 A	P-RVZ 8 LR-WD	13.5	18.9	50.5	43	36	12	22	17	27	6.0	WAL374025	WAL621638
		10	G 1/4 A	P-RVZ 10 LR-WD	12.8	18.9	48.5	41	34	12	22	19	27	6.0	WAL374026	WAL621602
		12	G 3/8 A	P-RVZ 12 LR-WD	16.9	21.9	53.5	46	39	12	22	22	27	7.5	WAL374027	WAL621606
		15	G 1/2 A	P-RVZ 15 LR-WD	23.7	26.9	56	48	41	14	27	27	32	11.0	WAL374028	WAL621612
	250 (3626)	18	G 1/2 A	P-RVZ 18 LR-WD	28.9	26.9	61.5	53	45.5	14	27	32	32	11.0	WAL374029	WAL621616
		22	G 3/4 A	P-RVZ 22 LR-WD	54.4	31.9	69.5	61	53.5	16	46**	36	41**	18.0	WAL374030	WAL621620
		28	G 1 A	P-RVZ 28 LR-WD	64.4	39.9	71	62	54.5	18	46**	41	41**	20.0	WAL374031	WAL621624
		35	G 1 1/4 A	P-RVZ 35 LR-WD	155.5	49.9	88.5	77.5	67	20	60	50	70	29.0	WAL374032	WAL621628
		42	G 1 1/2 A	P-RVZ 42 LR-WD	161.2	54.9	87.5	75.5	64.5	22	60	60	70	29.0	WAL604475	WAL621632
S	400 (5801)	6	G 1/4 A	P-RVZ 6 SR-WD	13.3	18.9	52.5	45	38	12	22	17	27	4.0	WAL374033	WAL621636
		8	G 1/4 A	P-RVZ 8 SR-WD	13.8	18.9	50.5	43	36	12	22	19	27	5.0	WAL374034	WAL621640
		10	G 3/8 A	P-RVZ 10 SR-WD	15.5	21.9	53.5	45	37.5	12	22	22	27	7.0	WAL374035	WAL621604
		12	G 3/8 A	P-RVZ 12 SR-WD	18.1	21.9	55.5	47	39.5	12	22	24	27	7.5	WAL374036	WAL621608
		14	G 1/2 A	P-RVZ 14 SR-WD	27.7	26.9	59.5	50	42	14	27	27	32	10.0	WAL374037	WAL621610
	250 (3626)	16	G 1/2 A	P-RVZ 16 SR-WD	28.3	26.9	62.5	53	44.5	14	27	30	32	11.0	WAL374038	WAL621614
		20	G 3/4 A	P-RVZ 20 SR-WD	56.8	31.9	73	62	51.5	16	46**	36	41**	16.0	WAL374039	WAL621618
		25	G 1 A	P-RVZ 25 SR-WD	74.8	39.9	77	65	53	18	46**	46	41**	20.0	WAL374040	WAL621622
		30	G 1 1/4 A	P-RVZ 30 SR-WD	105.3	49.9	87	74	60.5	20	50	50	55	24.0	WAL374041	WAL621626
		38	G 1 1/2 A	P-RVZ 38 SR-WD	200.4	54.9	96	81.5	65.5	22	60	60	70	29.0	WAL374042	WAL621630

⚠ Caution: The pressure specifications refer to the steel version. For the stainless steel version (1.4571), please refer to the pressure specifications on page B5.

⚠ Caution: The dimensions of the stainless steel version deviate from the specified check-valve dimensions.

*Complete stainless steel fittings (1.4571) with silver-plated nut (AG/AGP), see price list

L₂ = approximate dimension if the union nut is tightened

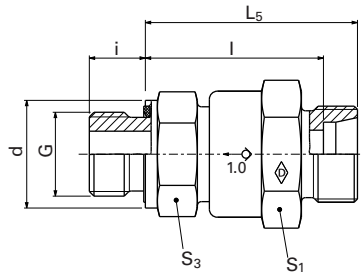
**For FPM (e.g. Viton) see price list / available on request

				Art. no. of Walpro P-RVZ ... R-WD (steel) with different opening pressures			
				0.1 bar	0.5 bar	2.0 bar	3.0 bar
Series	PN bar (psi)	Tube outer diameter	Model**	Art. no.	Art. no.	Art. no.	Art. no.
L	400 (5801)	6	P-RVZ 6 LR-WD /xx	WAL607749	WAL609950		WAL601143
		8	P-RVZ 8 LR-WD /xx	WAL604073	WAL604497		
		10	P-RVZ 10 LR-WD /xx	WAL608985	WAL602568	WAL610269	WAL607945
		12	P-RVZ 12 LR-WD /xx	WAL605404	WAL605653	WAL612357	WAL606312
		15	P-RVZ 15 LR-WD /xx	WAL605624	WAL604965		WAL613260
	250 (3626)	18	P-RVZ 18 LR-WD /xx	WAL606805	WAL604016	WAL605504	WAL611655
		22	P-RVZ 22 LR-WD /xx	WAL605671	WAL605197		WAL604301
		28	P-RVZ 28 LR-WD /xx	WAL604862	WAL604890	WAL605873	WAL602658
		35	P-RVZ 35 LR-WD /xx		WAL604938		
		42	P-RVZ 42 LR-WD /xx		WAL609892	WAL606053	WAL610012
S	400 (5801)	10	P-RVZ 10 SR-WD /xx	WAL608624	WAL610718		
		12	P-RVZ 12 SR-WD /xx			WAL604473	WAL605001
		16	P-RVZ 16 SR-WD /xx	WAL605584			WAL604434
	250 (3626)	20	P-RVZ 20 SR-WD /xx	WAL604977	WAL608097		WAL604570
		25	P-RVZ 25 SR-WD /xx		WAL623998	WAL606992	WAL604823
		30	P-RVZ 30 SR-WD /xx		WAL605560	WAL606261	WAL608322
		38	P-RVZ 38 SR-WD /xx		WAL605684	WAL605542	WAL606774

**e.g. P-RVZ 6LR-WD / 0.1

RSZ ... R-WD

RSZ ... R-WD-1.4571



System nuts for supplementing the stud
(for technical data, see part D of this catalog)

Series	PN bar (psi)	Tube outer diameter	G	Model	kg/100 pc.	Art. no.	Stud RSZ ... R-WD	Stud Stainless steel (1.4571) RSZ ... R-WD-1.4571*	System nuts for supplementing the stud (for technical data, see part D of this catalog)		
									Walring W-R ... VI	Walform WF-M ... VI	Walform stainless steel WF-M ... VI-1.4571*
L	400 (5801)	6	G 1/8 A	RSZ 6 LR-WD	12.0	WAL067531	WAL617677	WAL624607	WAL625940	WAL625980	
		8	G 1/4 A	RSZ 8 LR-WD	12.0	WAL370766	WAL617678	WAL624608	WAL625941	WAL625981	
		10	G 1/4 A	RSZ 10 LR-WD	10.4	WAL604922	WAL617679	WAL624609	WAL625942	WAL625982	
		12	G 3/8 A	RSZ 12 LR-WD	14.0	WAL371413	WAL605134	WAL624610	WAL625943	WAL625983	
		15	G 1/2 A	RSZ 15 LR-WD	19.5	WAL372065	WAL606993	WAL624611	WAL625944	WAL625984	
	250 (3626)	18	G 1/2 A	RSZ 18 LR-WD	23.0	WAL067899	WAL617680	WAL624612	WAL625945	WAL625985	
		22	G 3/4 A	RSZ 22 LR-WD	47.0	WAL067989	WAL617681	WAL624613	WAL625946	WAL625986	
		28	G 1 A	RSZ 28 LR-WD	52.5	WAL370767	WAL605580	WAL624614	WAL625947	WAL625987	
		35	G 1 1/4 A	RSZ 35 LR-WD	132.0	WAL371378	WAL605085	WAL624615	WAL625948	WAL625988	
		42	G 1 1/2 A	RSZ 42 LR-WD	140.0	WAL610625	WAL617682	WAL624616	WAL625949	WAL625989	
S	400 (5801)	6	G 1/4 A	RSZ 6 SR-WD	13.0	WAL608275	WAL602681	WAL624617	WAL625950	WAL625990	
		8	G 1/4 A	RSZ 8 SR-WD	12.0	WAL370768	WAL617683	WAL624618	WAL625951	WAL625991	
		10	G 3/8 A	RSZ 10 SR-WD	13.5	WAL068967	WAL604778	WAL624619	WAL625952	WAL625992	
		12	G 3/8 A	RSZ 12 SR-WD	14.5	WAL604061	WAL617684	WAL624620	WAL625953	WAL625993	
		14	G 1/2 A	RSZ 14 SR-WD	19.5	WAL615470	WAL617685				
	250 (3626)	16	G 1/2 A	RSZ 16 SR-WD	23.0	WAL067898	WAL605166	WAL624621	WAL625954	WAL625994	
		20	G 3/4 A	RSZ 20 SR-WD	47.0	WAL068472	WAL605086	WAL624622	WAL625955	WAL625995	
		25	G 1 A	RSZ 25 SR-WD	54.0	WAL371067	WAL602474	WAL624623	WAL625956	WAL625996	
		30	G 1 1/4 A	RSZ 30 SR-WD	86.0	WAL067532	WAL617686	WAL624624	WAL625957	WAL625997	
		38	G 1 1/2 A	RSZ 38 SR-WD	143.5	WAL067900	WAL617687	WAL624625	WAL625958	WAL625998	

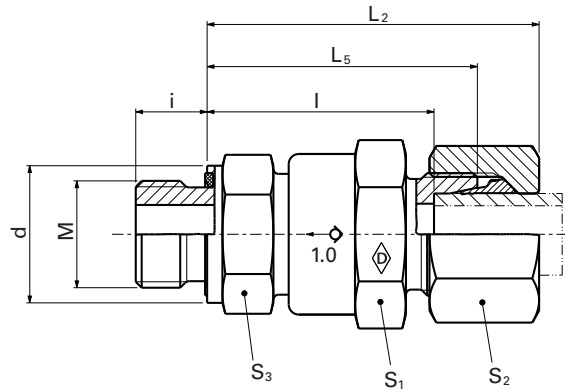
⚠ Caution: The pressure specifications refer to the steel version. For the stainless steel version (1.4571), please refer to the pressure specifications on page B5.
⚠ Caution: The dimensions of the stainless steel version deviate from the specified check-valve dimensions.

Series	PN bar (psi)	Tube outer diameter	Model**	Art. no. of studs RSZ ... R-WD (steel) with different opening pressures			
				Art. no.	Art. no.	Art. no.	Art. no.
L	400 (5801)	6	RSZ 6 LR-WD /xx	WAL604094			
		8	RSZ 8 LR-WD /xx	WAL612870	WAL371012		
		10	RSZ 10 LR-WD /xx			WAL610970	WAL625812
		12	RSZ 12 LR-WD /xx	WAL610715	WAL604485	WAL610716	WAL611665
		15	RSZ 15 LR-WD /xx	WAL617096	WAL624119		WAL610248
	250 (3626)	18	RSZ 18 LR-WD /xx	WAL624336	WAL604486	WAL605555	WAL611051
		22	RSZ 22 LR-WD /xx		WAL615166	WAL624170	WAL615476
		28	RSZ 28 LR-WD /xx	WAL624284	WAL604921	WAL605556	WAL610685
		35	RSZ 35 LR-WD /xx		WAL612011	WAL612010	WAL612067
		42	RSZ 42 LR-WD /xx		WAL618616	WAL612012	WAL612494
S	400 (5801)	10	RSZ 10 SR-WD /xx	WAL066684	WAL624120		
		12	RSZ 12 SR-WD /xx		WAL610526		WAL626737
		16	RSZ 16 SR-WD /xx	WAL623437			WAL372358
	250 (3626)	20	RSZ 20 SR-WD /xx		WAL615174		
		25	RSZ 25 SR-WD /xx		WAL612077	WAL623470	WAL602577
	30	RSZ 30 SR-WD /xx		WAL615480		WAL624858	
	38	RSZ 38 SR-WD /xx		WAL615663	WAL624901	WAL615600	

**e.g. RSZ 6LR-WD / 0.1

P-RVZ ... M-WD

- Flow to male studs
- with soft seal made from NBR* (e.g. Perbunan)
- Metric stud type E to DIN EN ISO 9974-2



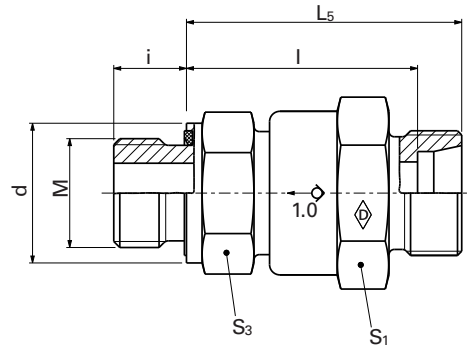
G

Walpro
P-RVZ ... M-WD

Series	PN bar (psi)	Tube outer diameter	M	Model	kg/100 pc.	d	L ₂	L ₅	l	i	S ₁	S ₂	S ₃	Ø of outlet	Art. no.
L	400 (5801)	6	M 10 x 1	P-RVZ 6 LM-WD	11.5	13.9	50.5	43	36	8	22	14	27	4.0	WAL374043
		8	M 12 x 1.5	P-RVZ 8 LM-WD	13.0	16.9	50.5	43	36	12	22	17	27	6.0	WAL374044
		10	M 14 x 1.5	P-RVZ 10 LM-WD	12.6	18.9	48.5	41	34	12	22	19	27	7.0	WAL374045
		12	M 16 x 1.5	P-RVZ 12 LM-WD	16.5	21.9	53.5	46	39	12	22	22	27	7.5	WAL374046
		15	M 18 x 1.5	P-RVZ 15 LM-WD	21.2	21.9	56	48	41	12	27	27	32	11.0	WAL374047
	250 (3626)	18	M 22 x 1.5	P-RVZ 18 LM-WD	29.7	26.9	61.5	53	45.5	14	27	32	32	11.0	WAL374048
		22	M 26 x 1.5	P-RVZ 22 LM-WD	57.6	31.9	70.5	62	54.5	16	46**	36	41**	18.0	WAL374049
		28	M 33 x 2	P-RVZ 28 LM-WD	64.4	39.9	71	62	54.5	18	46**	41	41**	18.5	WAL374050
		35	M 42 x 2	P-RVZ 35 LM-WD	155.5	49.9	88.5	77.5	67	20	60	50	70	29.0	WAL374051
		42	M 48 x 2	P-RVZ 42 LM-WD	161.2	54.9	87.5	75.5	64.5	22	60	60	70	29.0	WAL609989
S	400 (5801)	6	M 12 x 1.5	P-RVZ 6 SM-WD	12.8	16.9	52.5	45	38	12	22	17	27	4.0	WAL374052
		8	M 14 x 1.5	P-RVZ 8 SM-WD	13.6	18.9	50.5	43	36	12	22	19	27	5.0	WAL374053
		10	M 16 x 1.5	P-RVZ 10 SM-WD	15.1	21.9	53.5	45	37.5	12	22	22	27	7.0	WAL374054
		12	M 18 x 1.5	P-RVZ 12 SM-WD	18.7	23.9	55.5	47	39.5	12	24	24	27	7.5	WAL374055
		14	M 20 x 1.5	P-RVZ 14 SM-WD	24.5	25.9	59.5	50	42	14	27	27	32	10.0	WAL374056
	250 (3626)	16	M 22 x 1.5	P-RVZ 16 SM-WD	29.1	26.9	62.5	53	44.5	14	27	30	32	11.0	WAL374057
		20	M 27 x 2	P-RVZ 20 SM-WD	55.3	31.9	73	62	51.5	16	46**	36	41**	16.0	WAL374058
		25	M 33 x 2	P-RVZ 25 SM-WD	80.5	39.9	77	65	53	18	46**	46	41**	18.5	WAL374059
		30	M 42 x 2	P-RVZ 30 SM-WD	105.3	49.9	87	74	60.5	20	50	50	55	24.0	WAL374060
		38	M 48 x 2	P-RVZ 38 SM-WD	200.4	54.9	96	81.5	65.5	22	60	60	70	29.0	WAL374061

L₂ = approximate dimension if the union nut is tightened
 *For FPM (e.g. Viton) see price list / available on request

RSZ ... M-WD



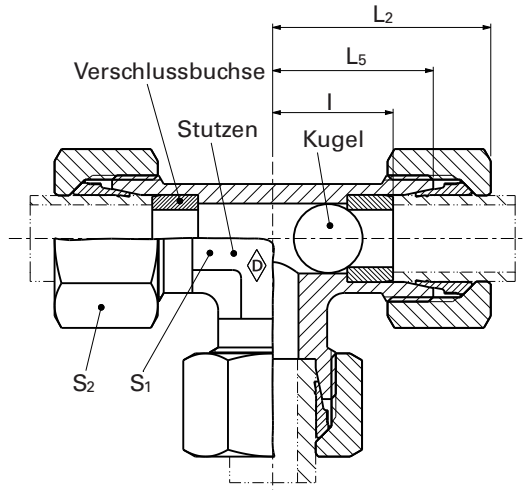
G

Series	PN bar (psi)	Tube outer diameter	M	Model	kg/ 100 pc.	Art. no.	System nuts for supplementing the stud (for technical data, see part D of this catalog)	
							Stud RSZ ... M-WD	Walring W-R ... VI
L	400 (5801)	6	M 10 x 1	RSZ 6 LM-WD	12.0	WAL615471	WAL624607	WAL625940
		8	M 12 x 1.5	RSZ 8 LM-WD	12.1	WAL067925	WAL624608	WAL625941
		10	M 14 x 1.5	RSZ 10 LM-WD	11.0	WAL602599	WAL624609	WAL625942
		12	M 16 x 1.5	RSZ 12 LM-WD	14.0	WAL370765	WAL624610	WAL625943
		15	M 18 x 1.5	RSZ 15 LM-WD	18.5	WAL602432	WAL624611	WAL625944
		18	M 22 x 1.5	RSZ 18 LM-WD	23.0	WAL371162	WAL624612	WAL625945
	250 (3626)	22	M 26 x 1.5	RSZ 22 LM-WD	47.0	WAL068991	WAL624613	WAL625946
		28	M 33 x 2	RSZ 28 LM-WD	52.5	WAL604405	WAL624614	WAL625947
		35	M 42 x 2	RSZ 35 LM-WD	132.0	WAL067533	WAL624615	WAL625948
		42	M 48 x 2	RSZ 42 LM-WD	140.0	WAL615472	WAL624616	WAL625949
S	400 (5801)	6	M 12 x 1.5	RSZ 6 SM-WD	13.0	WAL615473	WAL624617	WAL625950
		8	M 14 x 1.5	RSZ 8 SM-WD	11.9	WAL602874	WAL624618	WAL625951
		10	M 16 x 1.5	RSZ 10 SM-WD	13.5	WAL371694	WAL624619	WAL625952
		12	M 18 x 1.5	RSZ 12 SM-WD	15.5	WAL371461	WAL624620	WAL625953
		14	M 20 x 1.5	RSZ 14 SM-WD	19.5	WAL615474		
		16	M 22 x 1.5	RSZ 16 SM-WD	23.0	WAL371043	WAL624621	WAL625954
	250 (3626)	20	M 27 x 2	RSZ 20 SM-WD	47.0	WAL610390	WAL624622	WAL625955
		25	M 33 x 2	RSZ 25 SM-WD	54.0	WAL068992	WAL624623	WAL625956
		30	M 42 x 2	RSZ 30 SM-WD	86.0	WAL615278	WAL624624	WAL625957
		38	M 48 x 2	RSZ 38 SM-WD	143.5	WAL612045	WAL624625	WAL625958

Shuttle valve

P-TWV ...

- Shuttle valve



G

									Walpro P-TWV ...
Series	PB* bar (psi)	Tube outer diameter	Model	L ₅	L ₂	l	S ₁	S ₂	Art. no.
L	250 (3626)	8	P-TWV 8L	21	29	14	14	17	WAL613224
		10	P-TWV 10L	22	30	15	17	19	WAL613225
		12	P-TWV 12L	24	32	17	19	22	WAL613226
		15	P-TWV 15L	28	36	21	19	27	

L₅ = approximate dimension if the union nut is tightened

*With a safety factor of 1.5

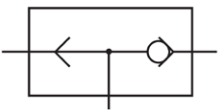
Material

Steel

Application

For use as an automatic diverter valve for hydraulic fluids within a closed hydraulic circuit. To ensure the functionality of the valve in each case, please specify the medium, where necessary also the concentration level, the maximum operating pressure including pressure peaks, the temperature and the frequency of valve actuation. Only suitable for connections that fit closely against the tube stop of the body.

Operating mode

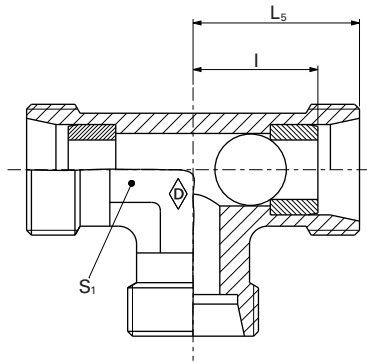


The port through which pressurized oil is applied (either A or B) must be connected to port C.
The port that is not pressurized will be closed by means of a movable ball that acts as a metal-to-metal seal.

Operating temperature

Temperature range of -40 °C to +120 °C

TWS ...

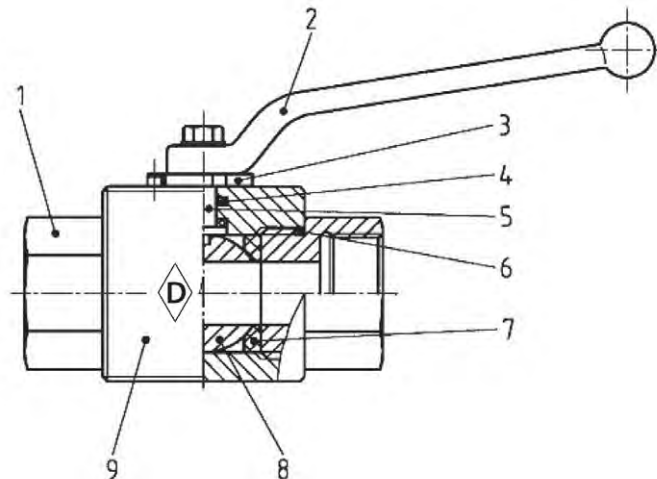


G

Series	PB* bar (psi)	Tube outer diameter	Model	Stud TWS ...	System nuts for supplementing the stud (for technical data, see part D of this catalog)	
					Walring W-R ... VI	Walform WF-M ... VI
				Art. no.	Art. no.	Art. no.
L	250 (3626)	8	TWS 8L	WAL611086	WAL624608	WAL625941
		10	TWS 10L	WAL612901	WAL624609	WAL625942
		12	TWS 12L	WAL612902	WAL624610	WAL625943
		15	TWS 15L	WAL624877	WAL624611	WAL625944

Technical information

1. Adapter
2. Handle
3. Stop plate
4. O-ring
5. Selector shaft
6. O-ring
7. Sealing element
8. Ball
9. Body



G

Application

For use with hydraulic applications. For compressed air applications up to an operating pressure (PB) of 16 bar. Ball valves are available on request for compressed air applications above 16 bar.

Design and construction

The ball seal is pre-loaded, which ensures tight sealing even at lower pressures. Owing to the ball's floating position, any rise in pressure will progressively push the ball closer to the seal. Handles can be fitted in any position at 45° angles.

Safety

The operating pressures of the ball valves are designed with a safety factor of 1.5 under static load conditions, including pressure peaks. Ball valves are subject to a maximum storage period of 6 months.

Materials

Standard version:

Body	– galvanized steel
Ball and selector shaft	– steel
Ball seal	– POM (e.g. Delrin)
O-rings	– NBR (e.g. Perbunan)

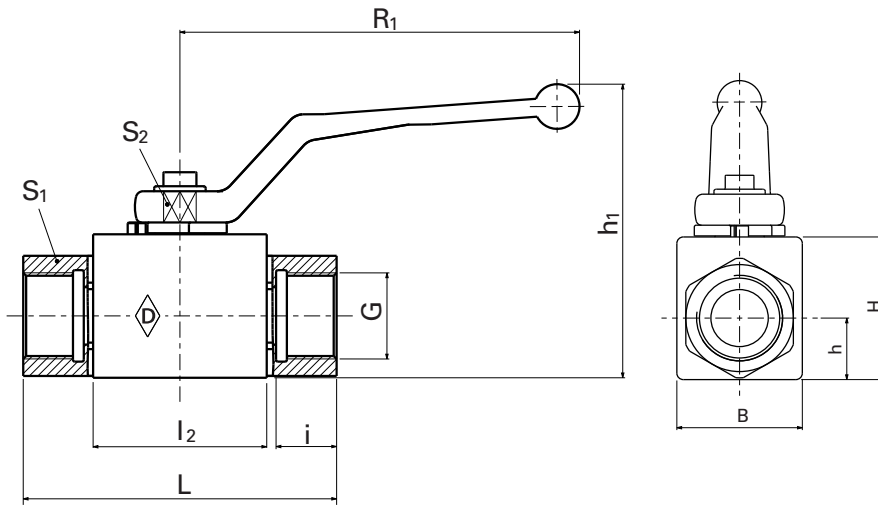
Special body and sealing materials available on request

Operating temperature

Temperature range of -20 °C to +60 °C

KH-R ...

- Whitworth thread


G

														Stud KH-R ...
PB* bar (psi)	DIN-ISO 228 (R ..., DIN 259) G	Model	B	H	h	$h_1 \pm 5$	L	l_2	i	S_1	S_2	R_1	DN	Art. no.
500 (7252)	G 1/8	KH-R 1/8/NW 4	26	32	12.8	72	69	36.2	8	22	9	107	4	WAL029293
	G 1/4	KH-R 1/4/NW 6	26	32	12.8	72	69	36.2	12	22	9	107	6	WAL029294
	G 3/8	KH-R 3/8/NW 10	32	38	16.25	78	73	43.2	12	27	9	107	10	WAL029295
400 (5801)	G 1/2	KH-R 1/2/NW 13	35	40	17.25	80	85	48.2	14	30	9	107	13	WAL029296
	G 3/4	KH-R 3/4/NW 20	49	57	24.5	135	96.5	62.2	16	41	14	165	20	WAL029298
350 (5076)	G 1	KH-R 1/NW 25	54	60	26.5	139	113.5	66.2	18	46	14	165	24	WAL029299
	G 1 1/4	KH-R 1 1/4/NW 32	80	85.4	39.5	160	121.5	80	20	60	17	210	24	WAL029300
	G 1 1/4	KH-R 1 1/4/NW 32**	80	85.4	39.5	160	110	80	20	60	17	210	32	WAL061806
	G 1 1/2	KH-R 1 1/2/NW 40**	84	92.4	42	164	120	85	22	70	17	210	38	WAL029301

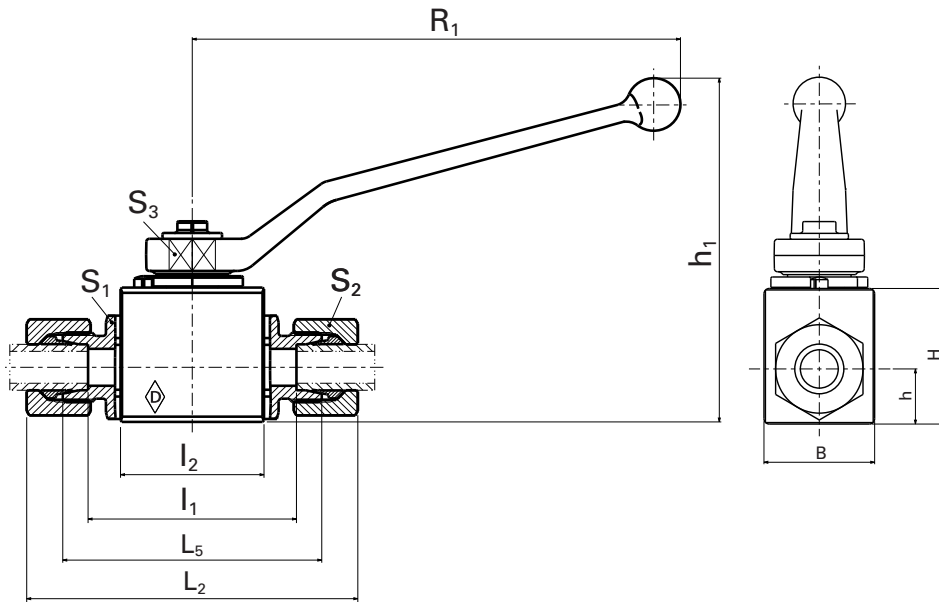
*With a safety factor of 1.5

**With forged body

P-KHV ...

- Tube connection at both ends
- Threads are available with runout or with undercut according to DIN 3853

G



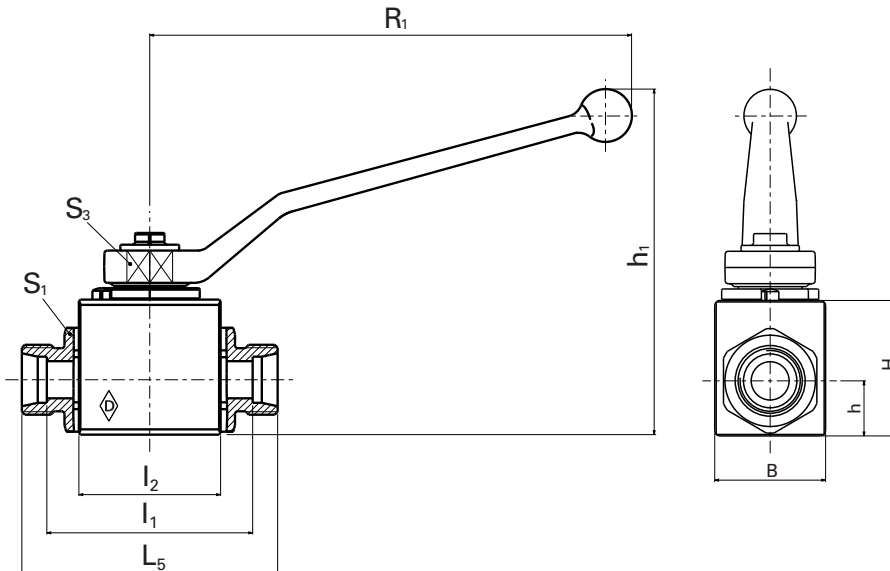
																	Walpro P-KHV...	
Series	PB* bar (psi)	Tube outer diameter	Model	B	H	h	$h_1 \pm 5$	I_2	I_1	L_2	L_5	S_1	S_2	S_3	R_1	DN	Art. no.	
L	400 (5801)	6	P-KHV 6 L/NW 4	26	32	12.8	72	36	62	82	67	22	14	9	107	5	WAL374081	
		8	P-KHV 8 L/NW 6	26	32	12.8	72	36	53	82	67	22	17	9	107	6	WAL374082	
		10	P-KHV 10 L/NW 8	26	32	12.8	72	36	57	86	71	22	19	9	107	8	WAL374083	
		12	P-KHV 12 L/NW 10	32	38	16.25	78	43	61	90	75	27	22	9	107	10	WAL374084	
		15	P-KHV 15 L/NW 13	35	40	17.25	80	48	68.6	99.5	84	30	27	9	107	13	WAL374085	
	250 (3626)	18	P-KHV 18 L/NW 16	38	46	18.7	124	48	68	101	83	32	32	12	165	15	WAL374086	
		22	P-KHV 22 L/NW 20	49	57	24.5	135	62	87	119	102	41	36	14	165	20	WAL374087	
		28	P-KHV 28 L/NW 25	54	60	26.5	139	66	93	126	108	46	41	14	165	24	WAL374088	
		35	P-KHV 35 L/NW 25	54	60	26.5	139	66	93	136	114	50	50	14	165	24	WAL374089	
		210 (3046)	42	P-KHV 42 L/NW 40**	84	92.4	42	164	80	111	157	133	70	60	17	210	38	WAL374091
S	500 (7252)	8	P-KHV 8 S/NW 4	26	32	12.8	72	36	59	88	73	22	19	9	107	5	WAL374092	
		10	P-KHV 10 S/NW 6	26	32	12.8	72	36	58	90	73	22	22	9	107	6	WAL374093	
		12	P-KHV 12 S/NW 8	26	32	12.8	72	36	61	93	77	22	24	9	107	8	WAL374094	
		14	P-KHV 14 S/NW 10	32	38	16.25	78	43	68	103	84	27	27	9	107	10	WAL374095	
		16	P-KHV 16 S/NW 13	35	40	17.25	80	48	70	106	87	30	30	9	107	13	WAL374096	
	400 (5801)	20	P-KHV 20 S/NW 16	38	46	18.7	124	48	70	112	90	32	32	12	165	15	WAL374097	
		25	P-KHV 25 S/NW 20	49	57	24.5	135	62	88	134	110	41	46	14	165	20	WAL374098	
		315 (4569)	30	P-KHV 30 S/NW 25	54	60	26.5	139	66	93	146	120	46	50	14	165	24	WAL374099
		38	P-KHV 38 S/NW 32**	80	85.4	39.5	160	80	108	170	140	60	60	17	210	32	WAL374101	

L_2 = approximate dimension if the union nut is tightened

*With a safety factor of 1.5

**With forged body

KHS ...



G

Series	PB* bar (psi)	Tube outer diameter	Model	DN	Stud KHS...	System nuts for supplementing the stud (for technical data, see part D of this catalog)		
						Walring W-R ... VI	Walform WF-M ... VI	
					Art. no.	Art. no.	Art. no.	
L	400 (5801)	6	KHS 6 L/NW 4	4	WAL029274	WAL624607	WAL625940	
		8	KHS 8 L/NW 6	6	WAL029275	WAL624608	WAL625941	
		10	KHS 10 L/NW 8	8	WAL029276	WAL624609	WAL625942	
		12	KHS 12 L/NW 10	10	WAL029277	WAL624610	WAL625943	
		15	KHS 15 L/NW 13	13	WAL029278	WAL624611	WAL625944	
	250 (3626)	18	KHS 18 L/NW 16	16	WAL029279	WAL624612	WAL625945	
		22	KHS 22 L/NW 20	20	WAL029280	WAL624613	WAL625946	
		28	KHS 28 L/NW 25	25	WAL029281	WAL624614	WAL625947	
		35	KHS 35 L/NW 25	25	WAL029282	WAL624615	WAL625948	
		210 (3046)	42	KHS 42 L/NW 40**	40	WAL029283	WAL624616	WAL625949
S	500 (7252)	8	KHS 8 S/NW 4	4	WAL029284	WAL624618	WAL625951	
		10	KHS 10 S/NW 6	6	WAL029285	WAL624619	WAL625952	
		12	KHS 12 S/NW 8	8	WAL029286	WAL624620	WAL625953	
		14	KHS 14 S/NW 10	10	WAL029287	WAL624620	WAL625953	
		16	KHS 16 S/NW 13	13	WAL029288	WAL624621	WAL625954	
	400 (5801)	20	KHS 20 S/NW 16	16	WAL029289	WAL624622	WAL625955	
		25	KHS 25 S/NW 20	20	WAL029290	WAL624623	WAL625955	
		315 (4569)	30	KHS 30 S/NW 25	25	WAL029291	WAL624624	WAL625957
			38	KHS 38 S/NW 32**	32	WAL061810	WAL624625	WAL625958

 L₂ = approximate dimension if the union nut is tightened

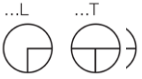
*With a safety factor of 1.5

**With forged body

Compact diverter valve

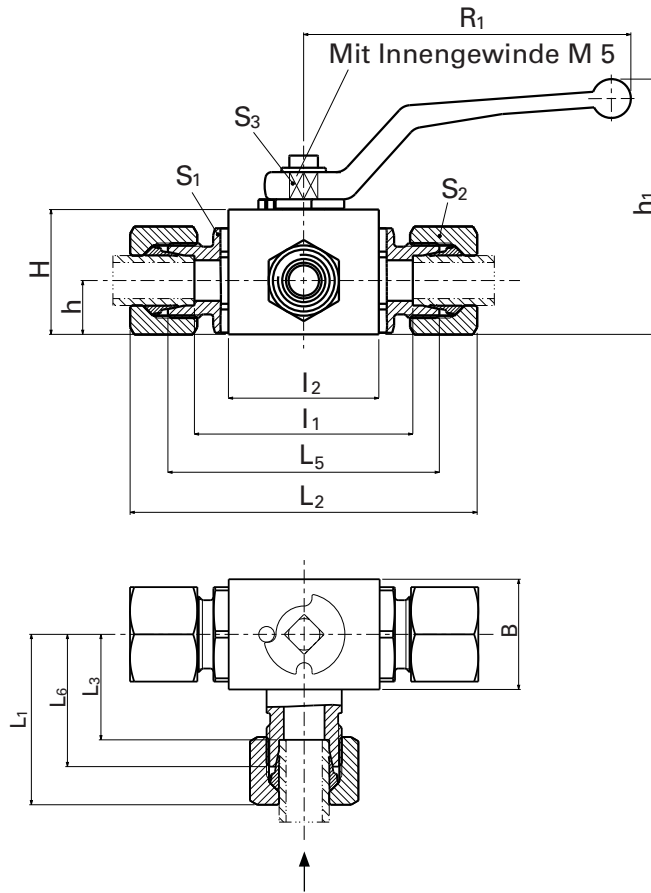
P-KH3KV ...

- L or T port
- Port type



The required port type should be indicated after the model name.

- With female M5 thread
- Threads are available with runout or with undercut according to DIN 3853



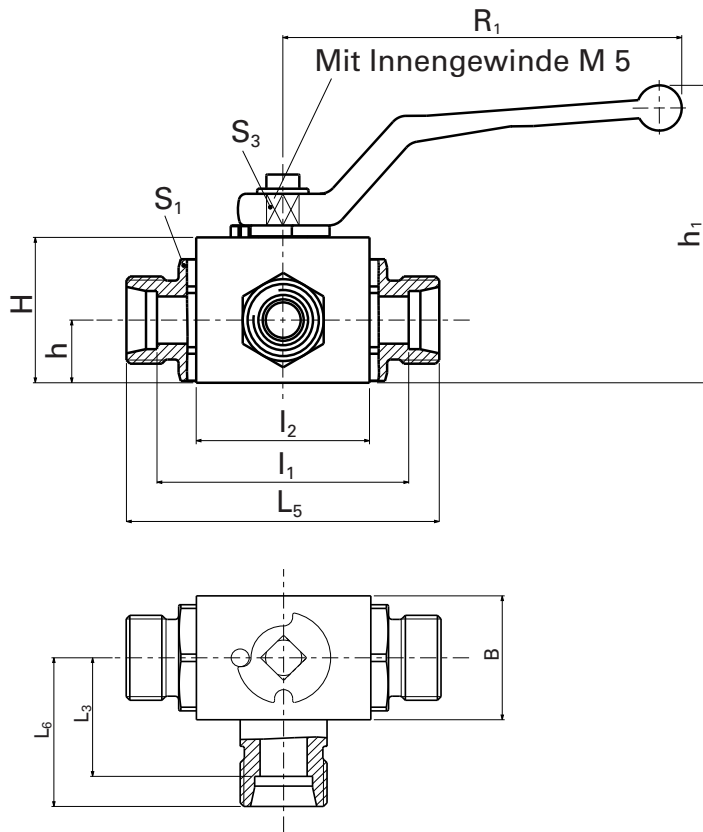
- This port must always be in the open position.
- Pressure may only be applied from this side. Pressurization from the other ports is not permissible and will lead to malfunctions!

																				Walpro P-KH3KV...	
Series	PB* bar (psi)	Tube outer diameter	Model	B	H	h	h_1 ± 5	I_1	I_2	L_1	L_2	L_3	L_4	L_5	L_6	S_1	S_2	S_3	R_1	DN	Art. no.
L	400 (5801)	8	P-KH3KV 8 L/NW 6-L	26	32	13	72	53	36	41	82	25	67	32	22	17	9	107	6	WAL374620	
		8	P-KH3KV 8 L/NW 6-T	26	32	13	72	53	36	41	82	25	67	32	22	17	9	107	6	WAL374621	
		10	P-KH3KV 10 L/NW 8-L	26	32	13	72	57	36	44.5	86	25	71	32	22	19	9	107	8	WAL374622	
		10	P-KH3KV 10 L/NW 8-T	26	32	13	72	57	36	44.5	86	25	71	32	22	19	9	107	8	WAL374623	
	350 (5076)	12	P-KH3KV 12 L/NW 10-L	32	38	16.5	78	57	43	44.5	90	33	75	35	27	22	9	107	10	WAL374624	
		12	P-KH3KV 12 L/NW 10-T	32	38	16.5	78	57	43	44.5	90	33	75	35	27	22	9	107	10	WAL374625	
		15	P-KH3KV 15 L/NW 13-L	35	40	17.5	80	63	48	49.5	100	33	84	42	30	27	9	107	13	WAL374626	
		15	P-KH3KV 15 L/NW 13-T	35	40	17.5	80	63	48	49.5	100	33	84	42	30	27	9	107	13	WAL374627	

L_2 = approximate dimension if the union nut is tightened

*With a safety factor of 1.5

KH3KS ...



G

Series	PB* bar (psi)	Tube outer diameter	Model	Stud KH3KS...	System nuts for supplementing the stud (for technical data, see part D of this catalog)	
					Walring W-R ... VI	Walform WF-M ... VI
				Art. no.	Art. no.	Art. no.
L	400 (5801)	8	KH3KS 8 L/NW 6-L	WAL062623	WAL624608	WAL625941
		8	KH3KS 8 L/NW 6-T	WAL062635	WAL624608	WAL625941
		10	KH3KS 10 L/NW 8-L	WAL062624	WAL624609	WAL625942
		10	KH3KS 10 L/NW 8-T	WAL062636	WAL624609	WAL625942
	350 (5076)	12	KH3KS 12 L/NW 10-L	WAL062625	WAL624610	WAL625943
		12	KH3KS 12 L/NW 10-T	WAL062637	WAL624610	WAL625943
		15	KH3KS 15L/NW 13-L	WAL062626	WAL624611	WAL625944
		15	KH3KS 15 L/NW 13-T	WAL062638	WAL624611	WAL625944

L₂= approximate dimension if the union nut is tightened
*With a safety factor of 1.5

Compact diverter valve (stud)

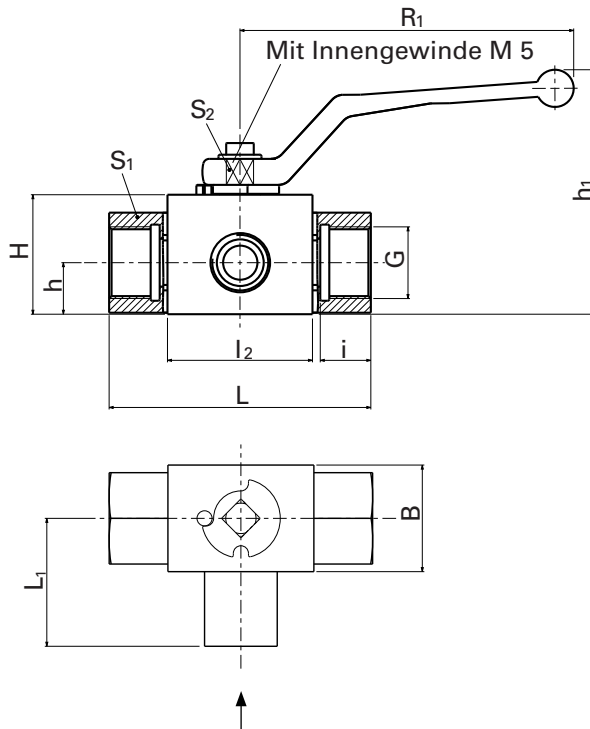
KH3KS-R ...

- L or T port Whitworth thread
- Port type



The required port type should be indicated after the model name.

- With female M5 thread



- This port must always be in the open position.
- Pressure may only be applied from this side. Pressurization from the other ports is not permissible and will lead to malfunctions!

																Stud KH3KS-R...
PB* bar (psi)	DIN-ISO 228 (R ..., DIN 259) G	Model	B	H	h	h ₁ ±5	L	L ₁	l ₂	i	S ₁	S ₂	R ₁	DN	Art. no.	
400 (5801)	G1/4	KH3KS-R 1/4 /NW 6-L	26	32	13	82	69	32	36	14	22	9	136	6	WAL062615	
	G1/4	KH3KS-R 1/4 /NW 6-T	26	32	13	82	69	32	36	14	22	9	136	6	WAL062619	
	G3/8	KH3KS-R 3/8 /NW 10-L	32	38	16.5	88	73	35	43	14	27	9	136	10	WAL062616	
	G3/8	KH3KS-R 3/8 /NW 10-T	32	38	16.5	88	73	35	43	14	27	9	136	10	WAL062620	
350 (5076)	G1/2	KH3KS-R 1/2 /NW 13-L	35	40	17.5	90	85	37	48	16	30	9	136	13	WAL062617	
	G1/2	KH3KS-R 1/2 /NW 13-T	35	40	17.5	90	85	37	48	16	30	9	136	13	WAL062621	

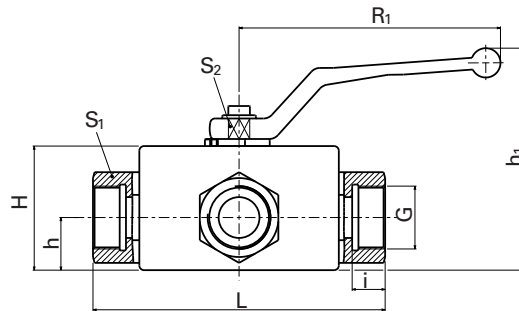
*With a safety factor of 1.5

KH3S-R ...

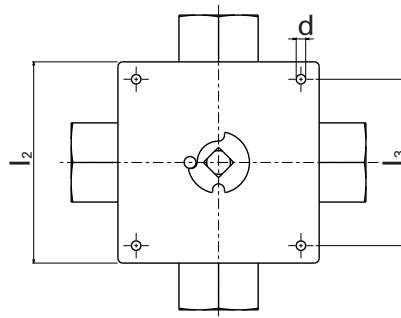
- L or T port Whitworth thread
- Port type



The required port type should be indicated after the model name.



G







														Stud KH3S-R...	
PB* bar (psi)	DIN-ISO 228 (R ..., DIN 259) G	Model	l ₁	H	h	h ₁	L	l ₃	d	i	S ₁	S ₂	R ₁	DN	Art. no.
500 (7252)	G1/4	KH3S-R 1/4/NW 6-L	70	52	26.5	110	100	55	6.5	14	27	12	164	6	WAL062647
	G1/4	KH3S-R 1/4/NW 6-T	70	52	26.5	110	100	55	6.5	14	27	12	164	6	WAL062653
	G3/8	KH3S-R 3/8/NW 10-L	80	55	28	116	115	65	6.7	14	30	14	164	10	WAL062648
	G3/8	KH3S-R 3/8/NW 10-T	80	55	28	116	115	65	6.7	14	30	14	164	10	WAL062654
400 (5801)	G1/2	KH3S-R 1/2/NW 13-L	100	60	30	121	134	80	8.7	16	36	14	164	13	WAL062649
	G1/2	KH3S-R 1/2/NW 13-T	100	60	30	121	134	80	8.7	16	36	14	164	13	WAL062655
	G3/4	KH3S-R 3/4/NW 20-L	114	71	37	133	148	85	8.7	18	41	17	193	20	WAL062650
315 (4569)	G3/4	KH3S-R 3/4/NW 20-T	114	71	37	133	148	85	8.7	18	41	17	193	20	WAL062656
	G1	KH3S-R 1/NW 25-L	127	79	42.5	141	172	105	11	20	50	19	200	25	WAL062651
	G1	KH3S-R 1/NW 25-T	127	79	42.5	141	172	105	11	20	50	19	200	25	WAL062657

*With a safety factor of 1.5



H

Reducer studs, **flange** studs,
female studs, **gauge** couplings

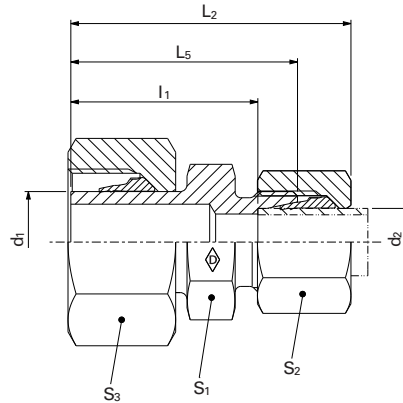
	Figure Fitting	Figure Stud	Model	Page
Reducer fittings / reducer studs			P-REDV / P-REDS ... -SV	H3 / H4
			P-REDVDN / REDSDN ... / ...	H5 - H12
Reducing adapter with soft seal			RED ... -WD/...	H13
			RED ... -WD/...	H14
Straight flange fittings / straight flange studs			P-GFV / GFS ...	H15 / H16
Elbow flange fittings / elbow flange studs			P-WFV / WFS ...	H17 / H18
Straight female fittings / straight female studs			P-GAV / GAS ... R	H19 / H20
			P-GAV / GAS ... M	H21 / H22
Adjustable gauge couplings			EMASD ...	H23
Gauge couplings (fittings / studs)			P-MAV / MAS ... R	H25 / H26

Reducer fittings

P-REDV....-SV

P-REDV ...-SV-1.4571

- L series
- Pre-assembled standpipe



H

PN bar (psi)	Tube outer diameter		Model	kg/ 100 pc.	L_2	L_5	I_1	S_1	S_2	S_3	Walpro	Walpro
	d_1	d_2									P-REDV....-SV	P-REDV ... SV-1.4571*
											Art. no.	Art. no.
500 (7252)	8	6	P-REDV 8/6 L-SV	3.9	43	34.5	27.5	12	14	17	WAL374192	WAL620250
		6	P-REDV 10/6 L-SV	5.1	43	35.5	28.5	12	14	19	WAL374193	WAL620251
	10	8	P-REDV 10/8 L-SV	5.8	43	35.5	28.5	14	17	19	WAL374194	WAL620227
400 (5801)	12	6	P-REDV 12/6 L-SV	6.1	42.5	35	28	14	14	22	WAL374195	WAL620185
		8	P-REDV 12/8 L-SV	7.0	43.5	36	29	14	17	22	WAL374196	WAL620199
		10	P-REDV 12/10 L-SV	8.1	44.5	37	30	17	19	22	WAL374197	WAL620252
	15	6	P-REDV 15/6 L-SV	8.9	43	35	28	17	14	27	WAL374198	WAL620505
		8	P-REDV 15/8 L-SV	8.7	44	36	29	17	17	27	WAL374199	WAL620495
		10	P-REDV 15/10 L-SV	9.4	45	37	30	17	19	27	WAL374200	WAL620459
250 (3626)	18	12	P-REDV 15/12 L-SV	12.1	46	38	31	19	22	27	WAL374201	WAL620385
		6	P-REDV 18/6 L-SV	11.8	45	37	30	19	14	32	WAL374202	WAL620711
	22	8	P-REDV 18/8 L-SV	12.3	46	38	31	19	17	32	WAL374203	WAL620253
		10	P-REDV 18/10 L-SV	12.9	47	39	32	19	19	32	WAL374204	WAL620229
		12	P-REDV 18/12 L-SV	14.1	48	40	33	19	22	32	WAL374205	WAL620243
250 (3626)	22	15	P-REDV 18/15 L-SV	16.6	49	41	34	24	27	32	WAL374206	WAL620430
		6	P-REDV 22/6 L-SV	16.1	47	39	32	24	14	36	WAL374207	WAL620393
		8	P-REDV 22/8 L-SV	17.0	48	40	33	24	17	36	WAL374208	WAL620528
		10	P-REDV 22/10 L-SV	17.5	49	41	34	24	19	36	WAL374209	WAL620244
		12	P-REDV 22/12 L-SV	18.6	50	42	35	24	22	36	WAL374210	WAL620327
		15	P-REDV 22/15 L-SV	20.6	51	43	36	24	27	36	WAL374211	WAL620400
		18	P-REDV 22/18 L-SV	24.1	53	44	36.5	27	32	36	WAL374212	WAL620254

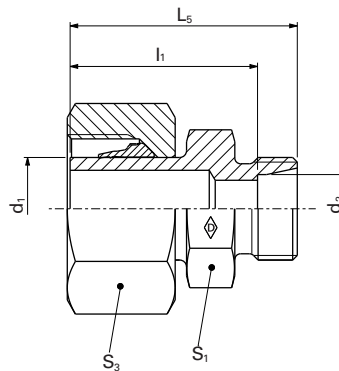
⚠ Caution: The pressure specifications refer to the steel version. For the stainless steel version (1.4571), please refer to the pressure specifications on page B5.

*For complete stainless steel fittings (1.4571) with silver-plated nut (AG/AGP), see price list.

L_2 = approximate dimension if the union nut is tightened

P-REDS...-SV

P-REDS ...-SV-1.4571



H

System nuts for supplementing the stud
(for technical data, see part D of this catalog)

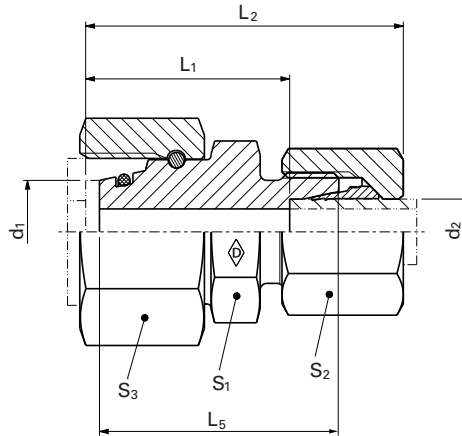
PN bar (psi)	d ₁	Tube outer diameter d ₂	Model	kg/ 100 pc.	Stud P-REDS...-SV Art. no.	Stud Stainless steel (1.4571) P-REDS ...-SV-1.4571 Art. no.	System nuts for supplementing the stud (for technical data, see part D of this catalog)		
							Walring W-R ... VI Art. no.	Walform WF-M ... VI Art. no.	Walform stainless steel WF-M ... VI-1.4571* Art. no.
500 (7252)	8	6	P-REDS 8/6 L-SV	3.0	WAL604589	WAL621262	WAL624607	WAL625940	WAL625980
		10	P-REDS 10/6 L-SV	4.0	WAL602458	WAL620345	WAL624607	WAL625940	WAL625980
	12	8	P-REDS 10/8 L-SV	4.0	WAL602753	WAL620908	WAL624608	WAL625941	WAL625981
		6	P-REDS 12/6 L-SV	5.5	WAL602691	WAL620600	WAL624607	WAL625940	WAL625980
		8	P-REDS 12/8 L-SV	5.5	WAL602585	WAL621263	WAL624608	WAL625941	WAL625981
		10	P-REDS 12/10 L-SV	5.5	WAL602433	WAL620577	WAL624609	WAL625942	WAL625982
400 (5801)	15	6	P-REDS 15/6 L-SV	7.5	WAL602992	WAL621264	WAL624607	WAL625940	WAL625980
		8	P-REDS 15/8 L-SV	8.5	WAL602930	WAL621265	WAL624608	WAL625941	WAL625981
		10	P-REDS 15/10 L-SV	8.5	WAL602586	WAL620611	WAL624609	WAL625942	WAL625982
	18	12	P-REDS 15/12 L-SV	8.5	WAL602539	WAL621266	WAL624610	WAL625943	WAL625983
		6	P-REDS 18/6 L-SV	10.5	WAL602993	WAL620582	WAL624607	WAL625940	WAL625980
		8	P-REDS 18/8 L-SV	11.0	WAL602434	WAL621267	WAL624608	WAL625941	WAL625981
250 (3626)	22	10	P-REDS 18/10 L-SV	12.5	WAL602461	WAL620583	WAL624609	WAL625942	WAL625982
		12	P-REDS 18/12 L-SV	12.0	WAL602462	WAL621268	WAL624610	WAL625943	WAL625983
		15	P-REDS 18/15 L-SV	13.0	WAL602931	WAL621269	WAL624611	WAL625944	WAL625984
	22	6	P-REDS 22/6 L-SV	13.0	WAL612581	WAL621270	WAL624607	WAL625940	WAL625980
		8	P-REDS 22/8 L-SV	14.5	WAL604260	WAL621271	WAL624608	WAL625941	WAL625981
		10	P-REDS 22/10 L-SV	15.5	WAL604256	WAL621272	WAL624609	WAL625942	WAL625982
22	12	P-REDS 22/12 L-SV	15.0	WAL602932	WAL621273	WAL624610	WAL625943	WAL625983	
	15	P-REDS 22/15 L-SV	17.5	WAL602435	WAL621274	WAL624611	WAL625944	WAL625984	
		18	P-REDS 22/18 L-SV	18.0	WAL602463	WAL621275	WAL624612	WAL625945	WAL625985

⚠ Caution: The pressure specifications refer to the steel version. For the stainless steel version (1.4571), please refer to the pressure specifications on page B5.

P-REDVDN ... / ...

P-REDVD ... / ...-1.4571

- L series
- With soft seal made from NBR** (e.g. Perbunan) for steel
- With soft seal made from FKM (e.g. Viton) for stainless steel (1.4571)



H

PN bar (psi)	d ₁	Tube outer diameter d ₂	Model	kg/100 pc.	L ₅	L ₂	L ₁	S ₁	S ₂	S ₃	*O-ring	Walpro P-REDVDN...	Walpro Stainless steel (1.4571) P-REDVD ... / ... -VI-1.4571*
500 (7252)	8	6	P-REDVDN 8/6 L	4.5	29.0	37.5	23.5	12	14	17	6x1.5	WAL619570	WAL621368
		10	P-REDVDN 10/6 L	5.4	31.0	39.0	25.0	14	14	19	8.5x1.5	WAL619120	WAL621369
	12	8	P-REDVDN 10/8 L	6.0	31.0	39.5	25.0	14	17	19	8.5x1.5	WAL619121	WAL621370
		6	P-REDVDN 12/6 L	6.0	31.0	39.0	25.0	14	14	17	10x1.5	WAL619122	WAL621371
		8	P-REDVDN 12/8 L	7.5	31.0	39.5	25.0	17	17	22	10x1.5	WAL619123	WAL621372
		10	P-REDVDN 12/10 L	7.5	32.0	40.5	26.0	19	19	22	10x1.5	WAL619124	WAL621373
400 (5801)	15	6	P-REDVDN 15/6 L	10.3	34.5	42.5	28.5	14	14	17	12x2	WAL619125	WAL621374
		8	P-REDVDN 15/8 L	11.9	34.5	43.0	28.5	17	17	27	12x2	WAL619126	WAL621375
		10	P-REDVDN 15/10 L	11.5	35.5	44.0	29.5	19	19	27	12x2	WAL619127	WAL621376
	18	12	P-REDVDN 15/12 L	12.0	35.5	43.5	29.5	22	22	27	12x2	WAL619128	WAL621377
		6	P-REDVDN 18/6 L	12.4	33.5	42.0	28.0	14	14	17	15x2	WAL619129	WAL621378
		8	P-REDVDN 18/8 L	13.5	33.5	42.5	28.0	17	17	27	15x2	WAL619130	WAL621379
250 (3626)	22	10	P-REDVDN 18/10 L	13.4	34.5	43.5	29.0	24	19	32	15x2	WAL619131	WAL621380
		12	P-REDVDN 18/12 L	15.2	34.5	43.0	29.0	22	22	27	15x2	WAL619132	WAL621381
		15	P-REDVDN 18/15 L	17.2	35.5	45.0	30.0	27	27	36	15x2	WAL619133	WAL621382
	28	6	P-REDVDN 22/6 L	16.5	37.5	46.0	32.0	14	14	17	20x2	WAL619134	WAL621383
		8	P-REDVDN 22/8 L	17.5	37.5	46.5	32.0	17	17	27	20x2	WAL619135	WAL621384
		10	P-REDVDN 22/10 L	18.0	38.5	47.5	33.0	19	19	36	20x2	WAL619136	WAL621385
250 (3626)	22	12	P-REDVDN 22/12 L	19.0	38.5	47.0	33.0	22	22	36	20x2	WAL619137	WAL621386
		15	P-REDVDN 22/15 L	23.8	39.5	49.0	34.0	27	27	36	20x2	WAL619138	WAL621387
		18	P-REDVDN 22/18 L	24.5	39.5	49.5	33.5	32	32	36	20x2	WAL619139	WAL621388
	28	6	P-REDVDN 28/6 L	30.5	39.5	48.0	34.0	14	14	17	26x2	WAL619140	WAL621389
		8	P-REDVDN 28/8 L	30.5	39.5	48.5	34.0	17	17	27	26x2	WAL619141	WAL621390
		10	P-REDVDN 28/10 L	30.0	40.5	49.5	35.0	19	19	27	26x2	WAL619142	WAL621391
250 (3626)	28	12	P-REDVDN 28/12 L	31.0	40.5	49.0	35.0	36	22	46	26x2	WAL619143	WAL621392
		15	P-REDVDN 28/15 L	33.4	41.5	51.0	36.0	27	27	46	26x2	WAL619144	WAL621393
		18	P-REDVDN 28/18 L	35.5	41.5	51.5	35.5	32	32	46	26x2	WAL619145	WAL621394
250 (3626)	28	22	P-REDVDN 28/22 L	38.2	43.5	53.5	37.5	36	46	26x2	WAL619146	WAL621395	

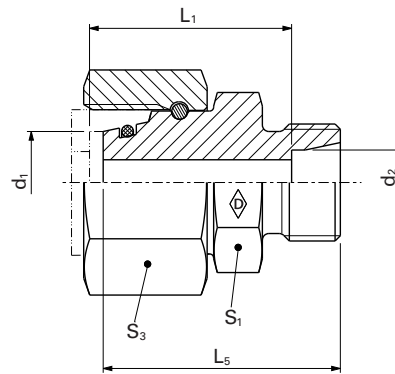
△ Caution: The pressure specifications refer to the steel version. For the stainless steel version (1.4571), please refer to the pressure specifications on page B5.

*For complete stainless steel fittings (1.4571) with silver-plated nut (AG/AGP), see price list

L₂ = approximate dimension if the union nut is tightened

**FPM (e.g. Viton) see price list / available on request

RESDSN ... / ...
RESDSD ... / ...-1.4571



H

System nuts for supplementing the stud
 (for technical data, see part D of this catalog)

PN bar (psi)	d ₁	Tube outer diameter d ₂	Model	kg/ 100 pc.	System nuts for supplementing the stud (for technical data, see part D of this catalog)					
					Stud RESDSN ... / ...	Stud Stainless steel (1.4571) P-RESDSD ... / ...-1.4571*	Walring W-R ... VI	Walform WF-M ... VI	Walform stainless steel WF-M ... VI-1.4571*	
					Art. no.	Art. no.	Art. no.	Art. no.	Art. no.	
500 (7252)	8	6	RESDSN 8/6 L	3.2	WAL619030	WAL618337	WAL624607	WAL625940	WAL625980	
		6	RESDSN 10/6 L	4.0	WAL619031	WAL618338	WAL624607	WAL625940	WAL625980	
	10	8	RESDSN 10/8 L	4.0	WAL619032	WAL618339	WAL624608	WAL625941	WAL625981	
		6	RESDSN 12/6 L	6.0	WAL619033	WAL618340	WAL624607	WAL625940	WAL625980	
	400 (5801)	12	8	RESDSN 12/8 L	5.5	WAL619034	WAL618341	WAL624608	WAL625941	WAL625981
			10	RESDSN 12/10 L	5.5	WAL619035	WAL618342	WAL624609	WAL625942	WAL625982
15		6	RESDSN 15/6 L	8.5	WAL619036	WAL618343	WAL624607	WAL625940	WAL625980	
		8	RESDSN 15/8 L	9.5	WAL619037	WAL618344	WAL624608	WAL625941	WAL625981	
250 (3626)		18	10	RESDSN 15/10 L	9.0	WAL619038	WAL618345	WAL624609	WAL625942	WAL625982
			12	RESDSN 15/12 L	9.0	WAL619039	WAL618346	WAL624610	WAL625943	WAL625983
	22	6	RESDSN 18/6 L	11.2	WAL619040	WAL618347	WAL624607	WAL625940	WAL625980	
		8	RESDSN 18/8 L	11.5	WAL619041	WAL618348	WAL624608	WAL625941	WAL625981	
	250 (3626)	28	10	RESDSN 18/10 L	13.0	WAL619042	WAL618349	WAL624609	WAL625942	WAL625982
			12	RESDSN 18/12 L	15.5	WAL619043	WAL618350	WAL624610	WAL625943	WAL625983
22		15	RESDSN 18/15 L	12.2	WAL619044	WAL618351	WAL624611	WAL625944	WAL625984	
		6	RESDSN 22/6 L	16.0	WAL619045	WAL618352	WAL624607	WAL625940	WAL625980	
250 (3626)		28	8	RESDSN 22/8 L	16.0	WAL619046	WAL618353	WAL624608	WAL625941	WAL625981
			10	RESDSN 22/10 L	16.0	WAL619047	WAL618354	WAL624609	WAL625942	WAL625982
	22	12	RESDSN 22/12 L	16.0	WAL619048	WAL618355	WAL624610	WAL625943	WAL625983	
		15	RESDSN 22/15 L	18.5	WAL619049	WAL618356	WAL624611	WAL625944	WAL625984	
	250 (3626)	28	18	RESDSN 22/18 L	18.0	WAL619050	WAL618357	WAL624612	WAL625945	WAL625985
			6	RESDSN 28/6 L	29.0	WAL619051	WAL618358	WAL624607	WAL625940	WAL625980
22		8	RESDSN 28/8 L	29.0	WAL619052	WAL618359	WAL624608	WAL625941	WAL625981	
		10	RESDSN 28/10 L	27.5	WAL619053	WAL618360	WAL624609	WAL625942	WAL625982	
28		12	RESDSN 28/12 L	28.0	WAL619054	WAL618361	WAL624610	WAL625943	WAL625983	
		15	RESDSN 28/15 L	28.0	WAL619055	WAL618362	WAL624611	WAL625944	WAL625984	
28	18	RESDSN 28/18 L	28.5	WAL619056	WAL618363	WAL624612	WAL625945	WAL625985		
	22	RESDSN 28/22 L	31.0	WAL619057	WAL618364	WAL624613	WAL625946	WAL625986		

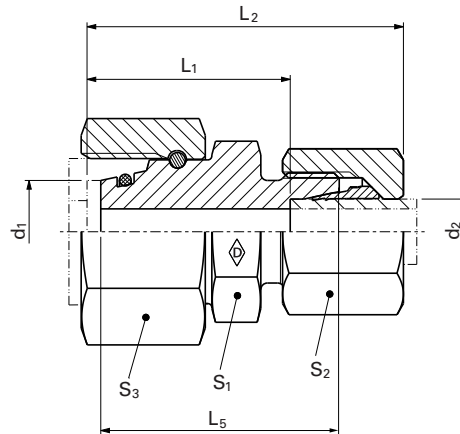
⚠ Caution: The pressure specifications refer to the steel version. For the stainless steel version (1.4571), please refer to the pressure specifications on page B5.

Reducer fittings

P-REDVDN ... / ...

P-REDVD ... / ...-1.4571

- L series
- With soft seal made from NBR** (e.g. Perbunan) for steel
- With soft seal made from FKM (e.g. Viton) for stainless steel (1.4571)



H

PN bar (psi)	d ₁	Tube outer diameter d ₂	Model	kg/100 pc.	L ₅	L ₂	L ₁	S ₁	S ₂	S ₃	*O-ring	Walpro P-REDVDN...	Art. no.	Walpro Stainless steel (1.4571) P-REDVD ... / ... -VI-1.4571* Art. no.
35		6	P-REDVDN 35/6 L	37.4	41.0	51.0	37.0		14		32x2.5	WAL619147	WAL621396	
		8	P-REDVDN 35/8 L	36.8	41.0	51.5	37.0		17					
		10	P-REDVDN 35/10 L	37.5	42.0	52.5	38.0		19					
		12	P-REDVDN 35/12 L	36.5	42.0	52.0	38.0	46	22	50				
		15	P-REDVDN 35/15 L	40.0	43.0	54.0	39.0		27					
		18	P-REDVDN 35/18 L	42.0	43.0	54.5	38.5		32					
		22	P-REDVDN 35/22 L	44.0	45.0	56.5	40.5		36					
250 (3626)		28	P-REDVDN 35/28 L	49.0	45.0	56.5	40.5		41		38x2.5	WAL619154	WAL621403	
		6	P-REDVDN 42/6 L	54.2	44.0	54.5	40.5		14					
		8	P-REDVDN 42/8 L	51.0	44.0	55.0	40.5		17					
		10	P-REDVDN 42/10 L	52.0	45.0	56.0	41.5		19					
		12	P-REDVDN 42/12 L	56.2	45.0	55.5	41.5		22					
		15	P-REDVDN 42/15 L	51.0	46.0	57.5	52.5	50	27	60				
		18	P-REDVDN 42/18 L	53.5	46.0	58.0	42.0		32					
		22	P-REDVDN 42/22 L	57.5	48.0	60.0	44.0		36					
		28	P-REDVDN 42/28 L	59.5	48.0	60.0	44.0		41					
		35	P-REDVDN 42/35 L	66.8	50.0	63.5	43.0		50					

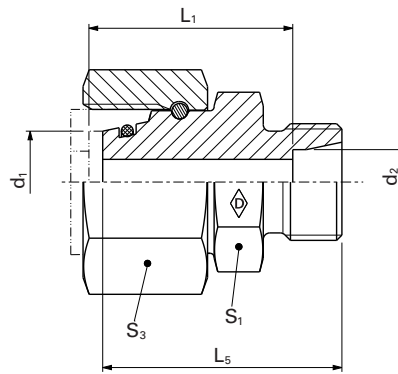
⚠ Caution: The pressure specifications refer to the steel version. For the stainless steel version (1.4571), please refer to the pressure specifications on page B5.

*Complete stainless steel fittings (1.4571) with silver-plated nut (AG/AGP), see price list

L₂ = approximate dimension if the union nut is tightened

**FPM (e.g. Viton) see price list / available on request

RESDSN ... / ...
RESD ... / ...-1.4571



H

System nuts for supplementing the stud
 (for technical data, see part D of this catalog)

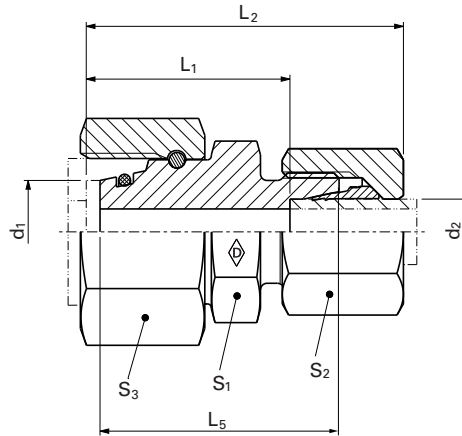
PN bar (psi)	d_1	Tube outer diameter d_2	Model	kg/ 100 pc.	Stud RESDSN ... / ... Art. no.	Stud Stainless steel (1.4571) P-RESD ... / ... VI-1.4571* Art. no.	System nuts for supplementing the stud (for technical data, see part D of this catalog)		
							Walring W-R ... VI Art. no.	Walform WF-M ... VI Art. no.	Walform stainless steel WF-M ... VI-1.4571* Art. no.
250 (3626)	35	6	RESDSN 35/6 L	35.0	WAL619058	WAL618365	WAL624607	WAL625940	WAL625980
		8	RESDSN 35/8 L	32.4	WAL619059	WAL618366	WAL624608	WAL625941	WAL625981
		10	RESDSN 35/10 L	36.0	WAL619060	WAL618367	WAL624609	WAL625942	WAL625982
		12	RESDSN 35/12 L	33.5	WAL619061	WAL618368	WAL624610	WAL625943	WAL625983
		15	RESDSN 35/15 L	34.0	WAL619062	WAL618369	WAL624611	WAL625944	WAL625984
		18	RESDSN 35/18 L	34.5	WAL619063	WAL618370	WAL624612	WAL625945	WAL625985
		22	RESDSN 35/22 L	35.0	WAL619064	WAL618371	WAL624613	WAL625946	WAL625986
	28	RESDSN 35/28 L	37.0	WAL619065	WAL618372	WAL624614	WAL625947	WAL625987	
	42	6	RESDSN 42/6 L	49.5	WAL619066	WAL623092	WAL624607	WAL625940	WAL625980
		8	RESDSN 42/8 L	51.8	WAL619067	WAL623094	WAL624608	WAL625941	WAL625981
		10	RESDSN 42/10 L	50.0	WAL619068	WAL618373	WAL624609	WAL625942	WAL625982
		12	RESDSN 42/12 L	50.0	WAL619069	WAL618374	WAL624610	WAL625943	WAL625983
		15	RESDSN 42/15 L	46.0	WAL619070	WAL618375	WAL624611	WAL625944	WAL625984
		18	RESDSN 42/18 L	46.5	WAL619071	WAL618376	WAL624612	WAL625945	WAL625985
22		RESDSN 42/22 L	48.5	WAL619072	WAL618377	WAL624613	WAL625946	WAL625986	
	28	RESDSN 42/28 L	49.0	WAL619073	WAL618378	WAL624614	WAL625947	WAL625987	
	35	RESDSN 42/35 L	55.0	WAL619074	WAL618379	WAL624615	WAL625948	WAL625988	

⚠ Caution: The pressure specifications refer to the steel version. For the stainless steel version (1.4571), please refer to the pressure specifications on page B5.

P-REDVDN ... / ...

P-REDVD ... / ...-1.4571

- S series
- With soft seal made from NBR** (e.g. Perbunan) for steel
- With soft seal made from FKM (e.g. Viton) for stainless steel (1.4571)



H

PN bar (psi)	d ₁	Tube outer diameter d ₂	Model	kg/ 100 pc.	L ₅	L ₂	L ₁	S ₁	S ₂	S ₃	*O-ring	Walpro P-REDVDN...			
												Art. no.	Art. no.		
800 (11603)	8	6	P-REDVDN 8/6 S	6.5	32.5	41.5	27.0	14	17	19	6x1.5	WAL619164	WAL621411		
		6	P-REDVDN 10/6 S	7.7	33.0	42.0	27.5	17	17	22	8.5x1.5	WAL619165	WAL621412		
	8	P-REDVDN 10/8 S	9.0	33.0	42.0	27.5	19		19			24	WAL619166	WAL621413	
630 (9137)	12	6	P-REDVDN 12/6 S	10.0	35.5	44.5	30.0	19	17	24	10x1.5	WAL619167	WAL621414		
		8	P-REDVDN 12/8 S	9.4	35.5	44.5	30.0		19			19	24	WAL619168	WAL621415
		10	P-REDVDN 12/10 S	11.5	35.5	45.0	29.5		22			22	27	WAL619169	WAL621416
	14	6	P-REDVDN 14/6 S	10.2	36.5	46.0	31.5	22	17	27	12x2	WAL619170	WAL621417		
		8	P-REDVDN 14/8 S	11.1	36.5	46.0	31.5		19			19	27	WAL619171	WAL621418
		10	P-REDVDN 14/10 S	13.4	36.5	46.5	31.0		22			22	27	WAL619172	WAL621419
	16	12	6	P-REDVDN 14/12 S	14.3	36.5	46.5	31.0	22	24	30	14x2	WAL619173	WAL621420	
			8	P-REDVDN 16/6 S	13.3	36.5	46.5	32.0		17			17	30	WAL619174
		14	8	P-REDVDN 16/8 S	14.0	36.5	46.5	32.0	22	19	30	14x2	WAL619175	WAL621422	
			10	P-REDVDN 16/10 S	16.5	36.5	47.0	31.5		22			22	30	WAL619176
		12	6	P-REDVDN 16/12 S	17.0	36.5	47.0	31.5	24	24	30	14x2	WAL619177	WAL621424	
			14	P-REDVDN 16/14 S	18.3	38.5	50.5	33.0		24			27	30	WAL619178
420 (6091)	20	6	P-REDVDN 20/6 S	18.0	40.0	50.5	36.0	27	17	36	17.3x2.4	WAL619179	WAL621426		
		8	P-REDVDN 20/8 S	21.0	40.0	50.5	36.0		19			19	36	WAL619180	WAL621427
		10	P-REDVDN 20/10 S	24.3	40.0	51.0	35.5		22			22	36	WAL619181	WAL621428
		12	P-REDVDN 20/12 S	23.0	40.0	51.0	35.5		24			24	36	WAL619182	WAL621429
		14	P-REDVDN 20/14 S	25.2	42.0	54.5	37.0		27			27	36	WAL619183	WAL621430
		16	P-REDVDN 20/16 S	26.6	42.0	54.5	38.5		30			30	36	WAL619184	WAL621431
	25	6	P-REDVDN 25/6 S	34.9	41.0	53.0	38.5	36	17	46	22.3x2.4	WAL619185	WAL621432		
		8	P-REDVDN 25/8 S	35.0	41.0	53.0	38.5		19			19	46	WAL619186	WAL621433
		10	P-REDVDN 25/10 S	36.5	41.0	53.5	38.0		22			22	46	WAL619187	WAL621434
		12	P-REDVDN 25/12 S	37.0	41.0	53.5	38.0		24			24	46	WAL619188	WAL621435
		14	P-REDVDN 25/14 S	40.5	43.0	57.0	39.5		27			27	46	WAL619189	WAL621436
		16	P-REDVDN 25/16 S	41.0	43.0	57.0	39.0		30			30	46	WAL619190	WAL621437
		20	P-REDVDN 25/20 S	47.5	45.0	60.0	39.0	36	36		WAL619191	WAL621438			

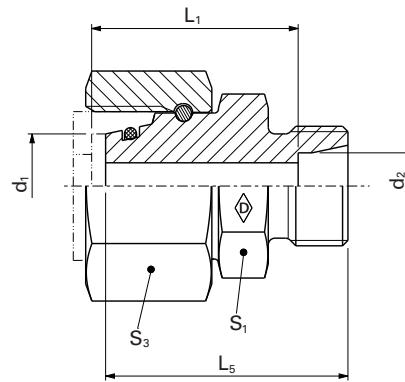
⚠ Caution: The pressure specifications refer to the steel version. For the stainless steel version (1.4571), please refer to the pressure specifications on page B5.

*For complete stainless steel fittings (1.4571) with silver-plated nut (AG/AGP), see price list

L₂ = approximate dimension if the union nut is tightened

**FPM (e.g. Viton) see price list / available on request

RESDSN ... / ...
RESDSD ... / ...-1.4571



H

System nuts for supplementing the stud
 (for technical data, see part D of this catalog)

PN bar (psi)	d1	Tube outer diameter d ₂	Model	kg/ 100 pc.	Art. no.	Art. no.	Waling W-R ... VI	Walform WF-M ... VI	Walform stainless steel WF-M ... VI-1.4571*	Stud
										RESDSN ... / ...
800 (11603)	8	6	RESDSN 8/6 S	4.5	WAL619075	WAL618425	WAL624617	WAL625950	WAL625990	
		6	RESDSN 10/6 S	6.5	WAL619076	WAL618426	WAL624617	WAL625950	WAL625990	
		8	RESDSN 10/8 S	6.5	WAL619077	WAL618427	WAL624618	WAL625951	WAL625991	
	12	6	RESDSN 12/6 S	8.5	WAL619078	WAL618428	WAL624617	WAL625950	WAL625990	
		8	RESDSN 12/8 S	8.5	WAL619079	WAL618429	WAL624618	WAL625951	WAL625991	
		10	RESDSN 12/10 S	8.5	WAL619080	WAL618430	WAL624619	WAL625952	WAL625992	
630 (9137)	14	6	RESDSN 14/6 S	11.1	WAL619081	WAL618431	WAL624617	WAL625950	WAL625990	
		8	RESDSN 14/8 S	11.5	WAL619082	WAL618432	WAL624618	WAL625951	WAL625991	
		10	RESDSN 14/10 S	10.2	WAL619083	WAL618433	WAL624619	WAL625952	WAL625992	
	16	12	RESDSN 14/12 S	10.8	WAL619084	WAL618434	WAL624620	WAL625953	WAL625993	
		6	RESDSN 16/6 S	11.5	WAL619085	WAL618435	WAL624617	WAL625950	WAL625990	
		8	RESDSN 16/8 S	12.0	WAL619086	WAL618436	WAL624618	WAL625951	WAL625991	
420 (6091)	20	10	RESDSN 16/10 S	13.0	WAL619087	WAL618437	WAL624619	WAL625952	WAL625992	
		12	RESDSN 16/12 S	13.0	WAL619088	WAL618438	WAL624620	WAL625953	WAL625993	
		14	RESDSN 16/14 S	19.2	WAL619089	WAL618439				
	25	6	RESDSN 20/6 S	16.2	WAL619090	WAL618440	WAL624617	WAL625950	WAL625990	
		8	RESDSN 20/8 S	18.5	WAL619091	WAL618441	WAL624618	WAL625951	WAL625991	
		10	RESDSN 20/10 S	18.5	WAL619092	WAL618442	WAL624619	WAL625952	WAL625992	
25	12	12	RESDSN 20/12 S	19.0	WAL619093	WAL067812	WAL624620	WAL625953	WAL625993	
		14	RESDSN 20/14 S	24.0	WAL619094	WAL618443				
		16	RESDSN 20/16 S	19.2	WAL619095	WAL067813	WAL624621	WAL625954	WAL625994	
	20	6	RESDSN 25/6 S	33.0	WAL619096	WAL618444	WAL624617	WAL625950	WAL625990	
		8	RESDSN 25/8 S	33.0	WAL619097	WAL618445	WAL624618	WAL625951	WAL625991	
		10	RESDSN 25/10 S	33.0	WAL619098	WAL618446	WAL624619	WAL625952	WAL625992	
25	12	RESDSN 25/12 S	33.5	WAL619099	WAL618447	WAL624620	WAL625953	WAL625993		
	14	RESDSN 25/14 S	34.0	WAL619100	WAL618448					
	16	RESDSN 25/16 S	34.0	WAL619101	WAL067814	WAL624621	WAL625954	WAL625994		
	20	RESDSN 25/20 S	35.0	WAL619102	WAL618449	WAL624622	WAL625955	WAL625995		

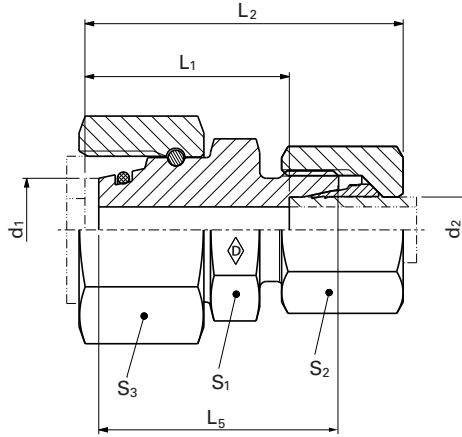
⚠ Caution: The pressure specifications refer to the steel version. For the stainless steel version (1.4571), please refer to the pressure specifications on page B5.

Reducer fittings

P-REDVDN ... / ...

P-REDVD ... / ...-1.4571

- S series
- With soft seal made from NBR** (e.g. Perbunan) for steel
- With soft seal made from FKM (e.g. Viton) for stainless steel (1.4571)



H

PN bar (psi)	d ₁	Tube outer diameter d ₂	Model	kg/ 100 pc.	L ₅	L ₂	L ₁	S ₁	S ₂	S ₃	*O-ring	Walpro P-REDVDN ... / ...	Walpro Stainless steel (1.4571) P-REDVD ... / ... VI-1.4571*
												Art. no.	Art. no.
30	6		P-REDVDN 30/6 S	43.0	45.0	58.5	44.0		17		27.3x2.4	WAL619192	WAL621439
	8		P-REDVDN 30/8 S	43.0	45.0	58.5	44.0		19			WAL619193	WAL621440
	10		P-REDVDN 30/10 S	44.0	45.0	59.0	43.5		22			WAL619194	WAL621441
	12		P-REDVDN 30/12 S	46.1	45.0	59.0	43.5	41	24	50		WAL619195	WAL621442
	14		P-REDVDN 30/14 S	47.9	47.0	62.5	45.0		27			WAL619196	WAL621443
	16		P-REDVDN 30/16 S	46.1	47.0	62.5	44.5		30			WAL619197	WAL621444
	20		P-REDVDN 30/20 S	53.9	49.0	65.5	44.5		36			WAL619198	WAL621445
420 (6091)	25		P-REDVDN 30/25 S	65.9	51.0	68.5	45.0		46			WAL619199	WAL621446
	6		P-REDVDN 38/6 S	60.0	46.0	62.0	47.5		17			WAL619200	WAL621447
	8t		P-REDVDN 38/8 S	60.0	46.0	62.0	47.5		19			WAL619201	WAL621448
	10		P-REDVDN 38/10 S	60.5	46.0	62.5	47.0		22			WAL619202	WAL621449
	12		P-REDVDN 38/12 S	63.1	46.0	62.5	47.0		24			WAL619203	WAL621450
	14		P-REDVDN 38/14 S	66.7	48.0	66.0	48.5	50	27	60	35x2.5	WAL619204	WAL621451
	16		P-REDVDN 38/16 S	68.0	48.0	66.0	48.0		30			WAL619205	WAL621452
38	20		P-REDVDN 38/20 S	70.0	50.0	69.0	48.0		36			WAL619206	WAL621453
	25		P-REDVDN 38/25 S	82.5	52.0	72.0	48.5		46			WAL619207	WAL621454
	30		P-REDVDN 38/30 S	87.8	54.0	75.0	49.0		50			WAL619208	WAL621455

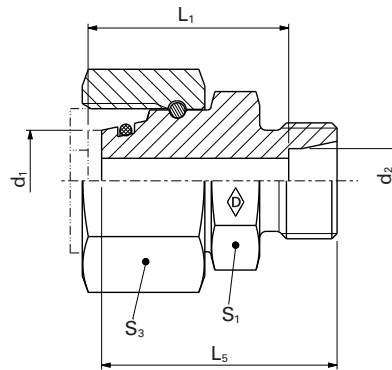
⚠ Caution: The pressure specifications refer to the steel version. For the stainless steel version (1.4571), please refer to the pressure specifications on page B5.

*For complete stainless steel fittings (1.4571) with silver-plated nut (AG/AGP), see price list

L₂= approximate dimension if the union nut is tightened

**FPM (e.g. Viton) see price list / available on request

RESDSN ... / ...
RESD ... / ...-1.4571



H

System nuts for supplementing the stud
 (for technical data, see part D of this catalog)

PN bar (psi)	d1	Tube outer diameter d ₂	Model	kg/ 100 pc.	Art. no.	Art. no.	System nuts for supplementing the stud (for technical data, see part D of this catalog)				
							Stud RESDSN ... / ...	Walring W-R ... VI	Walform WF-M ... VI	Walform stainless steel WF-M ... VI-1.4571*	
420 (6091)	30	6	RESDSN 30/6 S	40.5	WAL619103	WAL618450	WAL624617	WAL625950	WAL625990		
		8	RESDSN 30/8 S	41.0	WAL619104	WAL618451	WAL624618	WAL625951	WAL625991		
		10	RESDSN 30/10 S	41.5	WAL619105	WAL618452	WAL624619	WAL625952	WAL625992		
		12	RESDSN 30/12 S	41.5	WAL619106	WAL618453	WAL624620	WAL625953	WAL625993		
		14	RESDSN 30/14 S	47.0	WAL619107	WAL618454					
		16	RESDSN 30/16 S	41.5	WAL619108	WAL618455	WAL624621	WAL625954	WAL625994		
		20	RESDSN 30/20 S	43.0	WAL619109	WAL067815	WAL624622	WAL625955	WAL625995		
		25	RESDSN 30/25 S	46.0	WAL619110	WAL618456	WAL624623	WAL625956	WAL625996		
		38	38	6	RESDSN 38/6 S	57.0	WAL619111	WAL618457	WAL624617	WAL625950	WAL625990
				8	RESDSN 38/8 S	57.5	WAL619112	WAL618458	WAL624618	WAL625951	WAL625991
10	RESDSN 38/10 S			58.0	WAL619113	WAL618459	WAL624619	WAL625952	WAL625992		
12	RESDSN 38/12 S			57.5	WAL619114	WAL618460	WAL624620	WAL625953	WAL625993		
14	RESDSN 38/14 S			67.2	WAL619115	WAL618461					
16	RESDSN 38/16 S			58.5	WAL619116	WAL618462	WAL624621	WAL625954	WAL625994		
20	RESDSN 38/20 S			59.0	WAL619117	WAL618463	WAL624622	WAL625955	WAL625995		
25	RESDSN 38/25 S			61.0	WAL619118	WAL618464	WAL624623	WAL625956	WAL625996		
30	RESDSN 38/30 S			67.5	WAL619119	WAL067816	WAL624624	WAL625957	WAL625997		

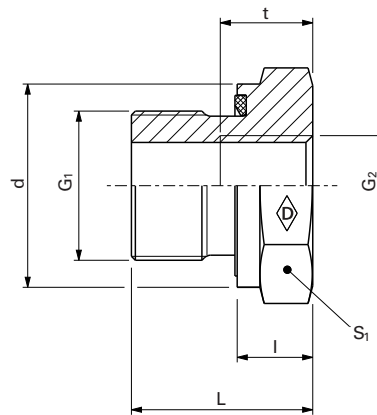
⚠ Caution: The pressure specifications refer to the steel version. For the stainless steel version (1.4571), please refer to the pressure specifications on page B5.

Reducing adapter with soft seal

RED ... -WD/...

RED ... -WD/...-1.4571

- With soft seal made from NBR** (e.g. Perbunan) for steel
- With soft seal made from FKM (e.g. Viton) for stainless steel (1.4571)
- Inch studs type E to DIN EN ISO 1179-2



H

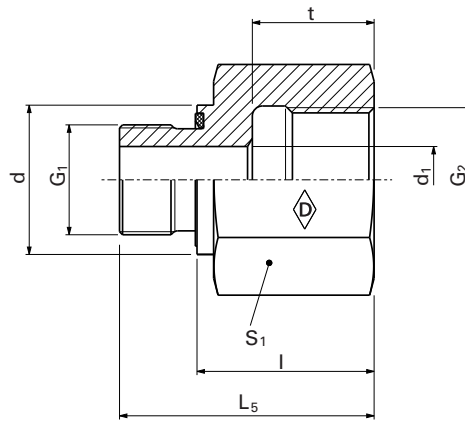
PN bar (psi)	DIN - ISO 228 (R..., DIN 259) G ₁	G ₂	Model	kg/ 100 pc.	L	l	d	t	S ₁	Stud RED ... -WD/...	Stud Stainless steel (1.4571) RED ... -WD/...VI-1.4571
										Art. no.	Art. no.
630 (9137)	G 3/8 A	G 1/8	RED-R 3/8-WD/R 1/8	4.0	22.5	10.5	21.9	8	22	WAL606600	WAL612428
		G 1/8	RED-R 1/2-WD/R 1/8	6.6	24	10	26.9	8	27	WAL606601	WAL617813
	G 1/2 A	G 1/4	RED-R 1/2-WD/R 1/4	6.0	24	10	26.9	12	27	WAL606602	WAL610622
400 (5801)	G 3/4 A	G 1/4	RED-R 3/4-WD/R 1/4	9.5	26	10	31.9	12	32	WAL606603	WAL611180
		G 3/8	RED-R 3/4-WD/R 3/8	9.0	26	10	31.9	12	32	WAL606604	WAL612089
	G 1 A	G 1/4	RED-R 1 - WD/R 1/4	20.0	29	11	39.9	12	41	WAL606605	WAL615116
		G 3/8	RED-R 1 - WD/R 3/8	18.0	29	11	39.9	12	41	WAL606606	WAL617814
		G 1/2	RED-R 1 - WD/R 1/2	16.0	29	11	39.9	14	41	WAL606607	WAL611254
	G 1 1/4 A	G 1/2	RED-R 1 1/4-WD/R 1/2	31.0	32	12	49.9	14	50	WAL606608	WAL613813
		G 3/4	RED-R 1 1/4-WD/R 3/4	27.0	32	12	49.9	16	50	WAL606609	WAL612044
	G 1 1/2 A	G 1/2	RED-R 1 1/2-WD/R 1/2	47.0	36	12	54.9	14	55	WAL606610	WAL613127
		G 3/4	RED-R 1 1/2-WD/R 3/4	43.0	36	14	54.9	16	55	WAL606611	WAL615258
		G 1	RED-R 1 1/2-WD/R 1	34.5	36	14	54.9	18	55	WAL606612	WAL612103

⚠ Caution: The pressure specifications refer to the steel version. For the stainless steel version (1.4571), please refer to the pressure specifications on page B5.

**FPM (e.g. Viton) see price list / available on request

RED ... -WD/...
RED ... -WD/...-1.4571

- With soft seal made from NBR** (e.g. Perbunan) for steel
- With soft seal made from FKM (e.g. Viton) for stainless steel (1.4571)
- Inch studs type E to DIN EN ISO 1179-2


H

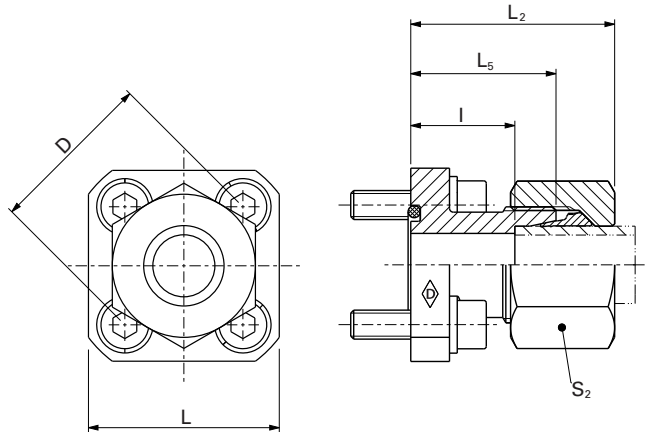
PN bar (psi)	DIN - ISO 228 (R..., DIN 259) G ₁	G ₂	Model	kg/ 100 pc.	L	l	d	d ₁	t	S ₁	Stud	Stud	
											RED ... -WD/...	Stainless steel (1.4571) RED ... -WD/...VI-1.4571	
												Art. no.	Art. no.
400 (5801)	G 1/8 A	G 1/4	RED-R 1/8-WD/R 1/4	3.6	31	23	13.9	4	17	19	WAL606613	WAL612430	
		G 3/8	RED-R 1/8-WD/R 3/8	4.5	32	24	13.9	4	17	24	WAL606614	WAL612431	
	G 1/4 A	G 1/8	RED-R 1/4-WD/R 1/8	3.6	29	17	18.9	5	12	19	WAL606615	WAL615402	
		G 3/8	RED-R 1/4-WD/R 3/8	6.6	36	24	18.9	5	17	24	WAL606616	WAL610621	
	G 1/2 A	G 1/2	RED-R 1/4-WD/R 1/2	8.5	40	28	18.9	5	20	30	WAL606617	WAL610620	
		G 3/4	RED-R 1/4-WD/R 3/4	17.3	43	31	18.9	5	22	36	WAL606618	WAL617815	
	G 3/8 A	G 1/4	RED-R 3/8-WD/R 1/4	3.0	36	24	21.9	8	17	22	WAL606619	WAL615403	
		G 1/2	RED-R 3/8-WD/R 1/2	9.0	41	29	21.9	8	20	30	WAL606620	WAL612429	
		G 3/4	RED-R 3/8-WD/R 3/4	17.5	44	32	21.9	8	22	36	WAL606621	WAL615482	
	G 1/2 A	G 3/8	RED-R 1/2-WD/R 3/8	9.5	37	23	26.9	12	17	27	WAL606622	WAL612095	
		G 3/4	RED-R 1/2-WD/R 3/4	18.0	46	32	26.9	12	22	36	WAL606623	WAL611320	
	G 1	RED-R 1/2-WD/R 1	22.5	49	35	26.9	12	24.5	41	WAL606624	WAL612928		
250 (3626)	G 1/2 A	G 1 1/4	RED-R 1/2-WD/R 1 1/4	47.0	53	39	26.9	12	26.5	55	WAL606625	WAL615487	
400 (5801)	G 3/4 A	G 1/2	RED-R 3/4-WD/R 1/2	15.0	43	27	31.9	16	20	32	WAL606626	WAL612017	
		G 1	RED-R 3/4-WD/R 1	23.5	51	35	31.9	16	24.5	41	WAL606627	WAL615220	
250 (3626)	G 3/4 A	G 1 1/4	RED-R 3/4-WD/R 1 1/4	48.3	55	39	31.9	16	26.5	55	WAL606628	WAL615412	
		G 1 1/2	RED-R 3/4-WD/R 1 1/2	54.5	57	41	31.9	16	28.5	60	WAL606629	WAL615508	
400 (5801)	G 1 A	G 3/4	RED-R 1 -WD/R 3/4	28.0	49	31	39.9	20	22	41	WAL606630	WAL611989	
250 (3626)	G 1 A	G 1 1/4	RED-R 1 -WD/R 1 1/4	51.0	57	39	39.9	20	26.5	55	WAL606631	WAL611321	
		G 1 1/2	RED-R 1 -WD/R 1 1/2	56.5	59	41	39.9	20	28.5	60	WAL606632	WAL615411	
400 (5801)	G 1 1/4 A	G 1	RED-R 1 1/4-WD/R 1	45.5	53	33	49.9	25	24.5	50	WAL606633	WAL611629	
250 (3626)	G 1 1/4 A	G 1 1/2	RED-R 1 1/4-WD/R 1 1/2	58.0	60	40	49.9	25	28.5	60	WAL606634	WAL615483	
	G 1 1/2 A	G 1 1/4	RED-R 1 1/2-WD/R 1 1/4	53.0	58	36	54.9	32	26.5	55	WAL606635	WAL615231	

⚠ Caution: The pressure specifications refer to the steel version. For the stainless steel version (1.4571), please refer to the pressure specifications on page B5.

**FPM (e.g. Viton) see price list / available on request

P-GFV ...

- For four-hole mounting



H

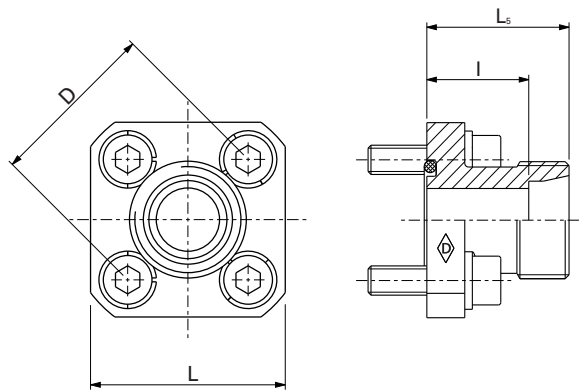
											Walpro P-GFV...
D	Series	PN bar (psi)	Tube outer diameter	Model	kg/ 100 pc.	L	L ₂	L ₅	l	S ₂	Art. no.
35	L	315 (4569)	10	P-GFV 10 L-35	13.5	39	37.5	30	23	19	WAL374282
			12	P-GFV 12 L-35	14.4	39	37.5	30	23	22	WAL374283
	S	250 (3626)	15	P-GFV 15 L-35	16.3	39	38	30	23	27	WAL374284
			16	P-GFV 16 S-35	20.0	39	39.5	30	21.5	30	WAL374285
40	L	100 (1450)	15	P-GFV 15 L-40	18.6	42	43	35	28	27	WAL374286
			18	P-GFV 18 L-40	23.1	42	43.5	35	27.5	32	WAL374287
			22	P-GFV 22 L-40	23.8	42	43.5	35	27.5	36	WAL374288
			28	P-GFV 28 L-40	25.2	41	51	42	34.5	41	WAL374717
55	S	250 (3626)	20	P-GFV 20 S-55	52.5	55	51	40	29.5	36	WAL374718

L₂ = approximate dimension if the union nut is tightened.

Accessories such as hexagon socket screws, spring washers and O-rings are included in the delivery but come unassembled.

GFS ...

- For four-hole mounting



H

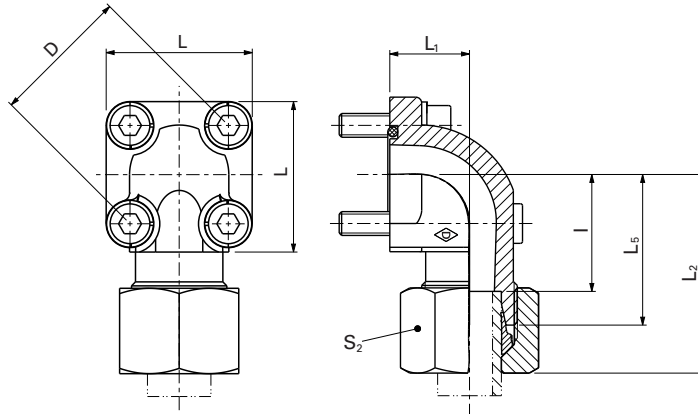
D	Series	PN bar (psi)	Tube outer diameter	Model	Stud GFS...	System nuts for supplementing the stud (for technical data, see part D of this catalog)	
						Art. no.	Walring W-R ... VI
35	L	315 (4569)	10	GFS 10 L-35	WAL064121	WAL624609	WAL625942
			12	GFS 12 L-35	WAL064122	WAL624610	WAL625943
	S	250 (3626)	15	GFS 15 L-35	WAL064123	WAL624611	WAL625944
			16	GFS 16 S-35	WAL064125	WAL624621	WAL625954
40	L	100 (1450)	15	GFS 15 L-40	WAL064124	WAL624611	WAL625944
			18	GFS 18 L-40	WAL064126	WAL624612	WAL625945
			22	GFS 22 L-40	WAL064128	WAL624613	WAL625946
			28	GFS 28 L-40	WAL064129	WAL624614	WAL625947
55	S	250 (3626)	20	GFS 20 S-55	WAL064127	WAL624622	WAL625955

Accessory parts

D	Tube outer diameter	Model	O-ring		Spring washer		Hexagon socket screw	
			Dimensions	Art. no.	Dimensions	Art. no.	Dimensions	Art. no.
35	10	GFS 10 L-35	20x2.5	WAL610519	B 6	WAL020102	M6x22	WAL020309
	12	GFS 12 L-35	20x2.5	WAL610519	B 6	WAL020102	M6x22	WAL020309
	15	GFS 15 L-35	20x2.5	WAL610519	B 6	WAL020102	M6x22	WAL020309
	16	GFS 16 S-35	20x2.5	WAL610519	B 6	WAL020102	M6x22	WAL020309
40	15	GFS 15 L-40	26x2.5	WAL610499	B 6	WAL020102	M6x22	WAL020309
	18	GFS 18 L-40	26x2.5	WAL610499	B 6	WAL020102	M6x22	WAL020309
	22	GFS 22 L-40	26x2.5	WAL610499	B 6	WAL020102	M6x22	WAL020309
	28	GFS 28 L-40	26x2.5	WAL610499	B 6	WAL020102	M6x22	WAL020309
55	20	GFS 20 S-55	33x2.5	WAL610500	B 8	WAL020104	M8x25	WAL020324

P-WFV ...

- For four-hole mounting



H

												Walpro P-WFV...
D	Series	PN bar (psi)	Tube outer diameter	Model	kg/100 pc.	L	L ₁	L ₂	L ₃	L ₄	S ₂	Art. no.
35	L	315 (4569)	10	P-WFV 10 L-35*	19.8	39	16.5	44.5	37.5	30.5	19	WAL374289
			12	P-WFV 12 L-35*	20.2	39	16.5	44.5	37.5	30.5	22	WAL374290
	S	250 (3626)	15	P-WFV 15 L-35*	21.9	39	16.5	45	37	30	27	WAL374291
			16	P-WFV 16 S-35**	26.2	39	20	47.5	38	29.5	30	WAL374292
40	L	100 (1450)	20	P-WFV 20 S-35**	39.4	39	25	56	45	34.5	36	WAL374293
			15	P-WFV 15 L-40*	23.3	42	22.5	45	37	30	27	WAL374294
			18	P-WFV 18 L-40*	25.3	42	22.5	46.5	38	30.5	32	WAL374295
			22	P-WFV 22 L-40**	27.5	42	22.5	46.5	38	30.5	36	WAL374296
			28	P-WFV 28 L-40**	37.1	42	28	49	40	32.5	41	WAL374297
55	S	250 (3626)	35	P-WFV 35 L-40**	51.6	42	34	52	41	30.5	50	WAL374298
			20	P-WFV 20 S-40**	34.4	42	22.5	51	40	29.5	36	WAL374299
55	L	100 (1450)	22	P-WFV 22 L-55**	60.5	58	24	52	43	35.5	36	WAL374719
			35	P-WFV 35 L-55**	68.8	58	32	60	49	35.5	50	WAL374300
			42	P-WFV 42 L-55**	90.9	58	40	60.5	49	38	60	WAL374301
	S	250 (3626)	20	P-WFV 20 S-55**	58.5	58	24	56	45	34.5	36	WAL374302
			25	P-WFV 25 S-55*	78.4	58	30	61	49	37	46	WAL374303
			30	P-WFV 30 S-55**	77.1	58	32	62	49	35.5	50	WAL374304

L₄ = approximate dimension if the union nut is tightened

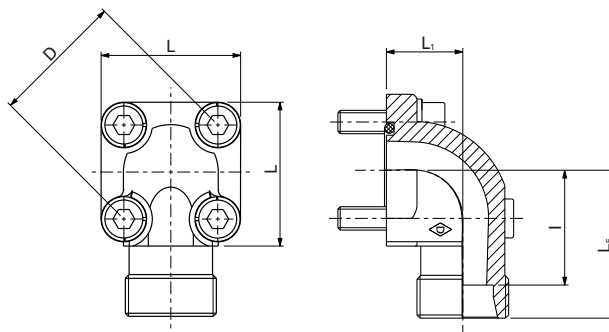
Accessories such as hexagon socket screws, spring washers and O-rings are included in the delivery but come unassembled.

*Forged part

**Cast part

WFS ...

- For four-hole mounting


H

D	Series	PN bar (psi)	Tube outer diameter	Model	kg/100 pc.	Stud WFS ... Art. no.	System nuts for supplementing the stud (for technical data, see part D of this catalog)	
							Walring W-R ... VI Art. no.	Walform WF-M ... VI Art. no.
35	L	315 (4569)	10	WFS 10 L-35*	21.0	WAL064131	WAL624609	WAL625942
			12	WFS 12 L-35*	17.3	WAL064132	WAL624610	WAL625943
	S	250 (3626)	15	WFS 15 L-35*	17.3	WAL064135	WAL624611	WAL625944
			16	WFS 16 S-35**	20.0	WAL064137	WAL624621	WAL625954
			20	WFS 20 S-35**	28.8	WAL064139	WAL624622	WAL625955
40	L	100 (1450)	15	WFS 15 L-40*	18.0	WAL064136	WAL624611	WAL625944
			18	WFS 18 L-40*	18.6	WAL064138	WAL624612	WAL625945
			22	WFS 22 L-40**	21.5	WAL064142	WAL624613	WAL625946
			28	WFS 28 L-40**	27.9	WAL064145	WAL624614	WAL625947
			35	WFS 35 L-40**	36.3	WAL064147	WAL624615	WAL625948
55	S	250 (3626)	20	WFS 20 S-40**	25.5	WAL064140	WAL624622	WAL625955
			22	WFS 22 L-55**	57.0	WAL064143	WAL624613	WAL625946
	L	100 (1450)	35	WFS 35 L-55**	45.5	WAL064148	WAL624615	WAL625948
			42	WFS 42 L-55**	84.0	WAL064149	WAL624616	WAL625949
			20	WFS 20 S-55**	56.0	WAL064141	WAL624622	WAL625955
S	250 (3626)	25	WFS 25 S-55*	48.5	WAL064144	WAL624623	WAL625956	
			30	WFS 30 S-55**	54.9	WAL064146	WAL624624	WAL625957

*Forged part

**Cast part

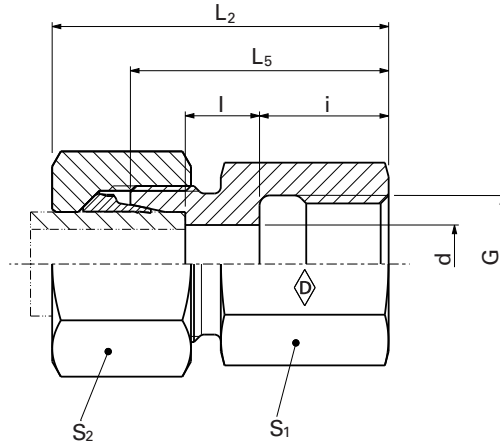
Accessory parts

D	Tube outer diameter	Model	O-ring		Spring washer		Hexagon socket screw						
			Dimensions	Art. no.	Dimensions	Art. no.	Pc.	Dimensions	Art. no.	Pc.	Dimensions	Art. no.	
35	L	10	WFS 10 L-35*	20x2.5	WAL610519	B 6	WAL020102	2	M 6x35	WAL020313	2	M 6x22	WAL020309
		12	WFS 12 L-35*	20x2.5	WAL610519	B 6	WAL020102	2	M 6x35	WAL020313	2	M 6x22	WAL020309
	S	15	WFS 15 L-35*	20x2.5	WAL610519	B 6	WAL020102	2	M 6x40	WAL021785	2	M 6x22	WAL020309
		16	WFS 16 S-35**	20x2.5	WAL610519	B 6	WAL020102	2	M 6x40	WAL021785	2	M 6x22	WAL020309
		20	WFS 20 S-35**	20x2.5	WAL610519	B 6	WAL020102	2	M 6x45	WAL021956	2	M 6x22	WAL020309
40	L	15	WFS 15 L-40*	26x2.5	WAL610499	B 6	WAL020102	2	M 6x45	WAL021956	2	M 6x22	WAL020309
		18	WFS 18 L-40*	26x2.5	WAL610499	B 6	WAL020102	2	M 6x45	WAL021956	2	M 6x22	WAL020309
		22	WFS 22 L-40**	26x2.5	WAL610499	B 6	WAL020102	4	M 6x22	WAL020309			
		28	WFS 28 L-40**	26x2.5	WAL610499	B 6	WAL020102	2	M 6x50	WAL021786	2	M 6x22	WAL020309
		35	WFS 35 L-40**	26x2.5	WAL610499	B 6	WAL020102	2	M 6x60	WAL021787	2	M 6x22	WAL020309
55	S	20	WFS 20 S-40**	26x2.5	WAL610499	B 6	WAL020102	2	M 6x45	WAL021956	2	M 6x22	WAL020309
		22	WFS 22 L-55**	32x2.5	WAL020775	B 8	WAL020104	2	M 8x50	WAL020331	2	M 8x25	WAL020324
	L	35	WFS 35 L-55**	32x2.5	WAL020775	B 8	WAL020104	2	M 8x60	WAL021793	2	M 8x25	WAL020324
		42	WFS 42 L-55**	32x2.5	WAL020775	B 8	WAL020104	2	M 8x70	WAL021794	2	M 8x25	WAL020324
		20	WFS 20 S-55**	32x2.5	WAL020775	B 8	WAL020104	2	M 8x50	WAL020331	2	M 8x25	WAL020324
S	25	WFS 25 S-55*	33x2.5	WAL020775	B 8	WAL020104	2	M 8x55	WAL023977	2	M 8x25	WAL020324	
		30	WFS 30 S-55**	33x2.5	WAL020775	B 8	WAL020104	2	M 8x50	WAL020331	2	M 8x25	WAL020324

P-GAV ... R

P-GAV ... R-1.4571

• Inch thread



H

Series	PN bar (psi)	Tube outer diameter	DIN-ISO 228 (R ...), DIN 259) G	Model	kg/100 pc.	L ₂	L ₅	l	i	d	S ₁	S ₂	Art. no.	Art. no.	
L	250 (3626)	6	G 1/8	P-GAV 6 LR	2.0	34	26	7	12	4	14	14	WAL374305	WAL621217	
		8	G 1/4	P-GAV 8 LR	4.0	39	31	7	17	6	19	17	WAL374306	WAL620364	
		10	G 1/4	P-GAV 10 LR	4.5	40	32	8	17	8	19	19	WAL374307	WAL620241	
	400 (5801)	12	G 1/4	P-GAV 12 LR 1/4	5.3	40	32	8	17	8	19	22	WAL374308	WAL620365	
	L	250 (3626)	12	G 3/8	P-GAV 12 LR	6.0	41	33	9	17	10	24	22	WAL374309	WAL620284
			15	G 1/2	P-GAV 15 LR	10.5	46	38	11	20	12	30	27	WAL374310	WAL620201
		160 (2321)	18	G 1/2	P-GAV 18 LR	12.5	47	38	10.5	20	15	27	32	WAL374311	WAL620278
			22	G 3/4	P-GAV 22 LR	17.5	52	43	13.5	22	19	36	36	WAL374312	WAL620219
		100 (1450)	28	G 1	P-GAV 28 LR	25.5	55	45.5	13.5	24.5	24	41	41	WAL374313	WAL620281
	35		G 1 1/4	P-GAV 35 LR	42.0	63	51.5	14.5	26.5	30	55	50	WAL374314	WAL620494	
S	630 (9137)	42	G 1 1/2	P-GAV 42 LR	43.5	65	53.5	14	28.5	36	60	60	WAL374315	WAL620722	
		6	G 1/4	P-GAV 6 SR	4.0	41	33	9	17	4	19	17	WAL374316	WAL620000	
		8	G 1/4	P-GAV 8 SR	5.0	41	33	9	17	5	19	19	WAL374317	WAL620308	
		10	G 3/8	P-GAV 10 SR	8.5	43	34	9.5	17	7	24	22	WAL374318	WAL620233	
		12	G 3/8	P-GAV 12 SR	9.0	43	34	9.5	17	8	24	24	WAL374319	WAL620309	
		14	G 1/2	P-GAV 14 SR	12.5	50	40	12	20	10	27	27	WAL374320	WAL620531	
	400 (5801)	16	G 1/2	P-GAV 16 SR	14.0	50	40	11.5	20	12	30	30	WAL374321	WAL620293	
		20	G 3/4	P-GAV 20 SR	24.0	56	45	12.5	22	16	36	36	WAL374322	WAL620323	
		25	G 1	P-GAV 25 SR	46	62	49.5	13	24.5	20	41	46	WAL374323	WAL620342	
	250 (3626)	30	G 1 1/4	P-GAV 30 SR	54.5	69	55.5	15.5	26.5	25	55	50	WAL374324	WAL620723	
		38	G 1 1/2	P-GAV 38 SR	86.0	74	59.5	15	28.5	32	60	60	WAL374325	WAL620724	

Walpro
P-GAV ... R
Walpro
Stainless steel
(1.4571)
P-GAV ... -1.4571*

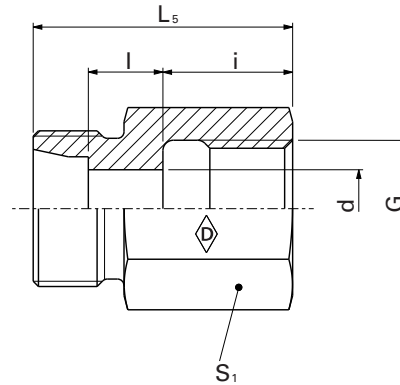
⚠ Caution: The pressure specifications refer to the steel version. For the stainless steel version (1.4571), please refer to the pressure specifications on page B5.

*For complete stainless steel fittings (1.4571) with silver-plated nut (AG/AGP), see price lists

L₂ = approximate dimension if the union nut is tightened

GAS ... R

GAS ... R-1.4571



H

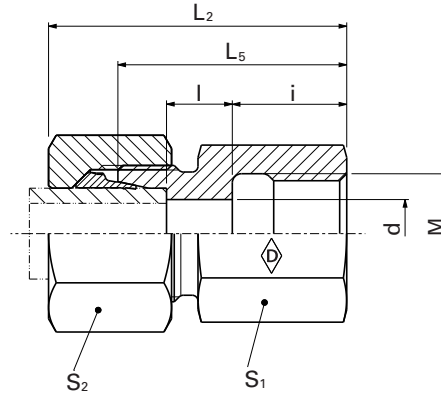
System nuts for supplementing the stud
(for technical data, see part D of this catalog)

Series	PN bar (psi)	Tube outer diameter	G	Model	kg/ 100 pc.	Art. no.	Art. no.	System nuts for supplementing the stud (for technical data, see part D of this catalog)		
								Stud GAS ... R	Stud Stainless steel (1.4571) GAS ... R-1.4571*	Walring W-R ... VI
L	250 (3626)	6	G 1/8	GAS 6 LR	1.9	WAL038084	WAL061994	WAL624607	WAL625940	WAL625980
		8	G 1/4	GAS 8 LR	3.8	WAL038085	WAL060717	WAL624608	WAL625941	WAL625981
		10	G 1/4	GAS 10 LR	3.9	WAL038086	WAL065914	WAL624609	WAL625942	WAL625982
	400 (5801)	12	G 1/4	GAS 12 LR 1/4	4.4	WAL038087	WAL065915	WAL624610	WAL625943	WAL625983
	250 (3626)	12	G 3/8	GAS 12 LR	6.2	WAL038088	WAL060759	WAL624610	WAL625943	WAL625983
	160 (2321)	15	G 1/2	GAS 15 LR	8.6	WAL038089	WAL065916	WAL624611	WAL625944	WAL625984
		18	G 1/2	GAS 18 LR	8.9	WAL038090	WAL063099	WAL624612	WAL625945	WAL625985
		22	G 3/4	GAS 22 LR	8.9	WAL038091	WAL065917	WAL624613	WAL625946	WAL625986
		28	G 1	GAS 28 LR	20.9	WAL038092	WAL065918	WAL624614	WAL625947	WAL625987
	100 (1450)	35	G 1 1/4	GAS 35 LR	46.3	WAL038093	WAL065919	WAL624615	WAL625948	WAL625988
42		G 1 1/2	GAS 42 LR	52.8	WAL038094	WAL065920	WAL624616	WAL625949	WAL625989	
S	630 (9137)	6	G 1/4	GAS 6 SR	4.2	WAL038095	WAL024001	WAL624617	WAL625950	WAL625990
		8	G 1/4	GAS 8 SR	4.4	WAL038096	WAL065921	WAL624618	WAL625951	WAL625991
		10	G 3/8	GAS 10 SR	6.9	WAL038097	WAL061840	WAL624619	WAL625952	WAL625992
		12	G 3/8	GAS 12 SR	7.2	WAL038098	WAL024535	WAL624620	WAL625953	WAL625993
		14	G 1/2	GAS 14 SR	9.7	WAL038099	WAL065922			
	400 (5801)	16	G 1/2	GAS 16 SR	9.4	WAL038100	WAL061007	WAL624621	WAL625954	WAL625994
		20	G 3/4	GAS 20 SR	19.3	WAL038101	WAL065923	WAL624622	WAL625955	WAL625995
		25	G 1	GAS 25 SR	24.2	WAL038102	WAL065924	WAL624623	WAL625956	WAL625996
		30	G 1 1/4	GAS 30 SR	50.1	WAL038103	WAL065925	WAL624624	WAL625957	WAL625997
		38	G 1 1/2	GAS 38 SR	58.4	WAL038104	WAL065926	WAL624625	WAL625958	WAL625998

⚠ Caution: The pressure specifications refer to the steel version. For the stainless steel version (1.4571), please refer to the pressure specifications on page B5.

P-GAV ... M

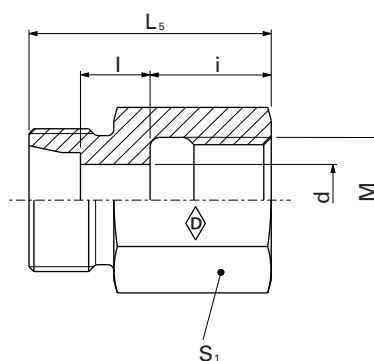
- Metric thread



H

													Walpro P-GAV ... M	
Series	PN bar (psi)	Tube outer diameter	DIN-ISO 228 (R..., DIN 259) M	Model	kg/ 100 pc.	L ₂	L ₅	l	i	d	S ₁	S ₂	Art. no.	
L	250 (3626)	6	M 10x1	P-GAV 6 LM	2.5	34	26.5	7	12.5	4	14	14	WAL602627	
		8	M 12x1.5	P-GAV 8 LM	4.0	39	31	7	17	6	17	17	WAL604351	
		10	M 14x1.5	P-GAV 10 LM	5.0	40	32	8	17	8	19	19	WAL604132	
		12	M 16x1.5	P-GAV 12 LM	8.0	41	33	9	17	10	22	22	WAL602936	
		15	M 18x1.5	P-GAV 15 LM	10.1	43	35	11	17	12	24	27	WAL602628	
		160 (2321)	18	M 22x1.5	P-GAV 18 LM	17.1	46	37	10.5	19	15	30	32	WAL602706
S	630 (9137)	22	M 26x1.5	P-GAV 22 LM	18.1	51	42	13.5	21	19	32	36	WAL604366	
		6	M 12x1.5	P-GAV 6 SM	4.5	41	33	9	17	4	17	17	WAL603940	
		8	M 14x1.5	P-GAV 8 SM	6.2	41	33	9	17	5	19	19	WAL604572	
		10	M 16x1.5	P-GAV 10 SM	8.0	43	34	9.5	17	7	22	22	WAL604328	
		12	M 18x1.5	P-GAV 12 SM	10.5	44	35	10.5	17	8	24	24	WAL602664	
		400 (5801)	14	M 20x1.5	P-GAV 14 SM	13.5	49	39	12	19	10	27	27	WAL604665
		16	M 22x1.5	P-GAV 16 SM	18.5	49	39	11.5	19	12	30	30	WAL604596	
		20	M 27x2	P-GAV 20 SM	25.5	56	45	12.5	22	16	36	36	WAL604441	

L₂ = approximate dimension if the union nut is tightened
Stainless steel (1.4571) studs and fittings available on request

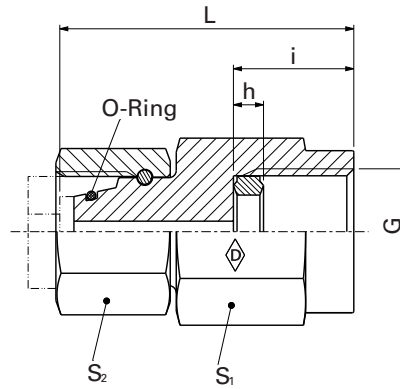
GAS ... M

H

Series	PN bar (psi)	Tube outer diameter	DIN-ISO 228 (R ..., DIN 259) M	Model	kg/100 pc.	Art. no.	System nuts for supplementing the stud (for technical data, see part D of this catalog)	
							Stud GAS ... M	Walring W-R ... VI
L	250 (3626)	6	M 10x1	GAS 6 LM	1.9	WAL060046	WAL624607	WAL625940
		8	M 12x1.5	GAS 8 LM	3.1	WAL061084	WAL624608	WAL625941
		10	M 14x1.5	GAS 10 LM	3.8	WAL060213	WAL624609	WAL625942
		12	M 16x1.5	GAS 12 LM	5.2	WAL025317	WAL624610	WAL625943
		15	M 18x1.5	GAS 15 LM	6.7	WAL024357	WAL624611	WAL625944
		18	M 22x1.5	GAS 18 LM	10.9	WAL062966	WAL624612	WAL625945
	160 (2321)	22	M 26x1.5	GAS 22 LM	12.1	WAL061612	WAL624613	WAL625946
		6	M 12x1.5	GAS 6 SM	3.6	WAL066876	WAL624617	WAL625950
S	630 (9137)	8	M 14x1.5	GAS 8 SM	4.2	WAL061634	WAL624618	WAL625951
		10	M 16x1.5	GAS 10 SM	5.7	WAL060704	WAL624619	WAL625952
		12	M 18x1.5	GAS 12 SM	6.9	WAL060069	WAL624620	WAL625953
		14	M 20x1.5	GAS 14 SM	9.3	WAL066855		
		16	M 22x1.5	GAS 16 SM	11.4	WAL067979	WAL624621	WAL625954
	400 (5801)	20	M 27x2	GAS 20 SM	15.2	WAL065147	WAL624622	WAL625955

EMASD ...

EMASD ...-1.4571

- Inch thread
- with taper and O-ring made from NBR* (e.g. Perbunan)
- with taper and O-ring made from FKM (e.g. Viton) for stainless steel (1.4571)



H

Series	PN bar (psi)	Tube outer diameter	DIN-ISO 228 (R ..., DIN 259) G	Model	kg/100 pc.	L ₂	i	h	S ₁	S ₂	*O-ring	Stud EMASD ... Art. no.	Stud Stainless steel (1.4571) EMASD ...-1.4571 Art. no.
L	500 (7252)	6	G 1/4	EMASD 6 LR	5.7	38	14.5	4.5	19	14	4.5x1.5	WAL605748	WAL615259
		8	G 1/4	EMASD 8 LR	7.0	38	14.5	4.5	19	17	6x1.5	WAL066353	WAL617825
		10	G 1/4	EMASD 10 LR	7.2	39.5	14.5	4.5	19	19	8.5x1.5	WAL605749	WAL617826
S	400 (5801)	12	G 1/4	EMASD 12 LR	8.0	40.5	14.5	4.5	19	22	10x1.5	WAL605750	WAL614847
		6	G 1/2	EMASD 6 SR	11.5	45	20	5	27	17	4.5x1.5	WAL605751	WAL617827
		8	G 1/2	EMASD 8 SR	11.4	45	20	5	27	19	6x1.5	WAL605752	WAL615584
		10	G 1/2	EMASD 10 SR	13.4	47	20	5	27	22	8.5x1.5	WAL605753	WAL615441
		12	G 1/2	EMASD 12 SR	12.9	47.5	20	5	27	24	10x1.5	WAL066313	WAL617828

⚠ Caution: The pressure specifications refer to the steel version. For the stainless steel version (1.4571), please refer to the pressure specifications on page B5.

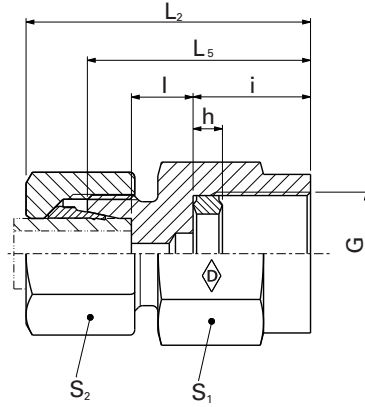
L₂ = approximate dimension if the union nut is tightened

**FPM (e.g. Viton) see price list / available on request

P-MAV ... R

P-MAV ... R-1.4571

- Inch studs type B to DIN EN ISO 1179-4



H

Series	PN bar (psi)	Tube outer diameter	DIN-ISO 228 (R ..., DIN 259) G	Model	kg/100 pc.	L_2	L_5	l	i	h	S_1	S_2	Walpro P-MAV...R Art. no.	Walpro Stainless steel (1.4571) P-MAV ... R-1.4571* Art. no.
L	500(7252)	6	G 1/4	P-MAV 6 LR	4.6	37	14.5	7.5	14.5	4.5	19	14	WAL374334	WAL620112
		8	G 1/4	P-MAV 8 LR	5.3	37	14.5	7.5	14.5	4.5	19	17	WAL374335	WAL620113
		10	G 1/4	P-MAV 10 LR	6.2	38	15.5	8.5	14.5	4.5	19	19	WAL374336	WAL620114
	400 (5801)	12	G 1/4	P-MAV 12 LR	7.0	38	15.5	8.5	14.5	4.5	19	22	WAL374337	WAL620115
S	800 (11603)	6	G 1/2	P-MAV 6 SR	10.5	46	18	11	20	5	27	17	WAL374338	WAL620116
		8	G 1/2	P-MAV 8 SR	10.7	46	18	11	20	5	27	19	WAL374339	WAL620117
		10	G 1/2	P-MAV 10 SR	12.5	47	18	10.5	20	5	27	22	WAL374340	WAL620118
	630 (9137)	12	G 1/2	P-MAV 12 SR	13.4	47	18	10.5	20	5	27	24	WAL374341	WAL620119

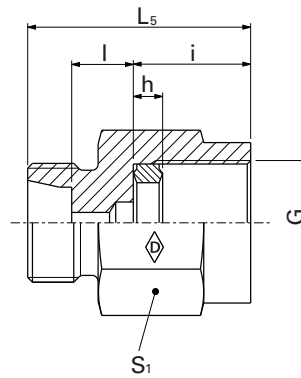
⚠ Caution: The pressure specifications refer to the steel version. For the stainless steel version (1.4571), please refer to the pressure specifications on page B5.

*For complete stainless steel fittings (1.4571) with silver-plated nut (AG/AGP), see price list

L_2 = approximate dimension if the union nut is tightened

MAS ... R

MAS ... R-1.4571



H

System nuts for supplementing the stud
(for technical data, see part D of this catalog)

Stud
Stainless steel
(1.4571)
MAS ... R-1.4571*

Walring
W-R ... VI

Walform
WF-M ... VI

Walform stainless
steel WF-M ...
VI-1.4571*





Series	PN bar (psi)	Tube outer diameter	DIN-ISO 228 (R..., DIN 259) G	Model	kg/100 pc.	Art. no.	Art. no.	Art. no.	Art. no.	Art. no.
L	500 (7252)	6	G 1/4	MAS 6 LR	3.8	WAL066939	WAL067383	WAL624607	WAL625940	WAL625980
		8	G 1/4	MAS 8 LR	3.6	WAL066940	WAL067387	WAL624608	WAL625941	WAL625981
	400 (5801)	10	G 1/4	MAS 10 LR	4.0	WAL067370	WAL067372	WAL624609	WAL625942	WAL625982
		12	G 1/4	MAS 12 LR	6.3	WAL066941	WAL067378	WAL624610	WAL625943	WAL625983
S	800 (11603)	6	G 1/2	MAS 6 SR	9.4	WAL066942	WAL067385	WAL624617	WAL625950	WAL625990
		8	G 1/2	MAS 8 SR	9.0	WAL066943	WAL067389	WAL624618	WAL625951	WAL625991
	630 (9137)	10	G 1/2	MAS 10 SR	9.0	WAL066944	WAL067374	WAL624619	WAL625952	WAL625992
		12	G 1/2	MAS 12 SR	9.5	WAL066945	WAL067380	WAL624620	WAL625953	WAL625993

⚠ Caution: The pressure specifications refer to the steel version. For the stainless steel version (1.4571), please refer to the pressure specifications on page B5.

I

37° flared flanges to SAE J518 / ISO6162

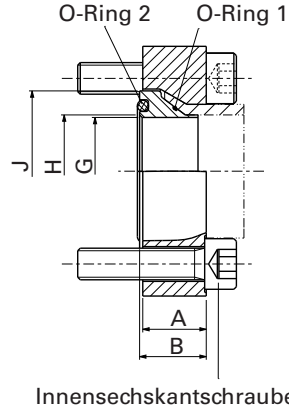
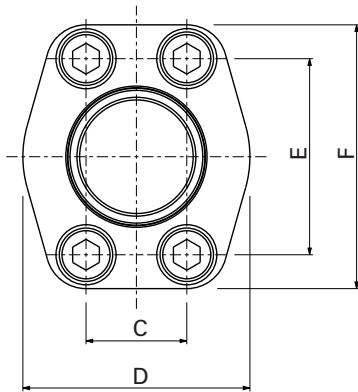


			Figure	Model	Page
37° flared flanges to SAE J518 / ISO 6162	Flange assembly	3,000 psi		BO-FK 3000 ...	13 - 14
	Flange counterpart assembly	3,000 psi		BO-FGK 3000 ...	15 - 16
	Flange connector assembly	3,000 psi		BO-FVK 3000 ...	17
	Flange assembly	6,000 psi		BO-FK 6000 ...	19 - 110
	Flange counterpart assembly	6,000 psi		BO-FGK 6000 ...	111 - 112
	Flange connector assembly	6,000 psi		BO-FVK 6000 ...	113



BO-FK 3000 ...

- Flange assembly



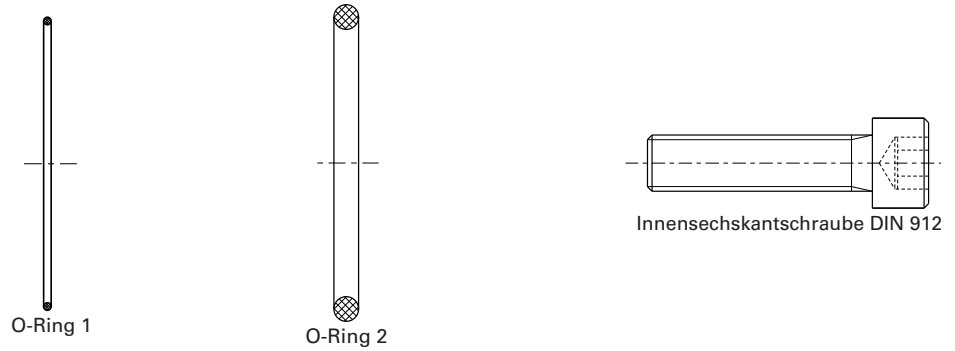
												Flange BO-FK 3000 ...
SAE flange	PB** bar (psi)	Model	A	B*	C	D	E	F	G	H	J	Art. no.
1/2	350 (5000)	BO-FK 3000- 1/2-16 x 2.0	16	17	17.48	48	38.1	56	10	13	30	WAL613637
		BO-FK 3000- 1/2-16 x 2.5	16	17	17.48	48	38.1	56	9	13	30	WAL613638
		BO-FK 3000- 1/2-20 x 2.0	16	17	17.48	48	38.1	56	14		30	WAL613639
		BO-FK 3000- 1/2-20 x 2.5	16	17	17.48	48	38.1	56	13		30	WAL613640
		BO-FK 3000- 1/2-20 x 3.0	16	17	17.48	48	38.1	56	12	13	30	WAL613641
		BO-FK 3000- 1/2-22 x 2.0	16	17	17.48	48	38.1	56	16		30	WAL613642
3/4	350 (5000)	BO-FK 3000- 3/4-20 x 2.0	17	18	22.23	50	47.63	65	14	19	38	WAL613643
		BO-FK 3000- 3/4-20 x 2.5	17	18	22.23	50	47.63	65	13	19	38	WAL613644
		BO-FK 3000- 3/4-20 x 3.0	17	18	22.23	50	47.63	65	12	19	38	WAL613645
		BO-FK 3000- 3/4-25 x 2.5	17	18	22.23	50	47.63	65	18	19	38	WAL613646
		BO-FK 3000- 3/4-25 x 3.0	17	18	22.23	50	47.63	65	17	19	38	WAL613647
		BO-FK 3000- 3/4-25 x 4.0	17	18	22.23	50	47.63	65	15	19	38	WAL613648
1	350 (5000)	BO-FK 3000- 3/4-28 x 3.0	17	18	22.23	50	47.63	65	20		38	WAL613649
		BO-FK 3000-1 -25 x 2.5	19	20	26.19	60	52.37	71	18	25	44.5	WAL613650
		BO-FK 3000-1 -25 x 3.0	19	20	26.19	60	52.37	71	17	25	44.5	WAL613651
		BO-FK 3000-1 -25 x 4.0	19	20	26.19	60	52.37	71	15	25	44.5	WAL613652
		BO-FK 3000-1 -30 x 4.0	19	20	26.19	60	52.37	71	20	25	44.5	WAL613653
1 1/4	250 (3570)	BO-FK 3000-1 -35 x 3.0	19	20	26.19	60	52.37	71	27		44.5	WAL613654
		BO-FK 3000-1 1/4-38 x 4.0	20	21	30.18	68	58.72	79	28	32	50.8	WAL613655
		BO-FK 3000-1 1/4-38 x 5.0	20	21	30.18	68	58.72	79	26	32	50.8	WAL613656
		BO-FK 3000-1 1/4-42 x 3.0	20	21	30.18	68	58.72	79	34		50.8	WAL613657
1 1/2	210 (3000)	BO-FK 3000-1 1/4-42 x 4.0	20	21	30.18	68	58.72	79	32		50.8	WAL613658
		BO-FK 3000-1 1/2-38 x 4.0	22	23	35.71	78	69.85	93	28	38	60	WAL613659
		BO-FK 3000-1 1/2-38 x 5.0	22	23	35.71	78	69.85	93	26	38	60	WAL613660
		BO-FK 3000-1 1/2-42 x 3.0	22	23	35.71	78	69.85	93	34	38	60	WAL613661
		BO-FK 3000-1 1/2-42 x 4.0	22	23	35.71	78	69.85	93	32	38	60	WAL613662
		BO-FK 3000-1 1/2-48.3 x 3.2	22	23	35.71	78	69.85	93	38		60	WAL613663
		BO-FK 3000-1 1/2-50 x 2.5	22	23	35.71	78	69.85	93	42.4		60	WAL613664
		BO-FK 3000-1 1/2-50 x 3.0	22	23	35.71	78	69.85	93	41.4		60	WAL613665
2	210 (3000)	BO-FK 3000-1 1/2-50 x 5.0	22	23	35.71	78	69.85	93	37.4		60	WAL613666
		BO-FK 3000-2 -60 x 3.0	24	25	42.88	90	77.77	102	51.4		71.3	WAL613667
		BO-FK 3000-2 -60.3 x 3.6	24	25	42.88	90	77.77	102	50.5		71.3	WAL613668
		BO-FK 3000-2 -60.3 x 5.6	24	25	42.88	90	77.77	102	46.5	51	71.3	WAL613669
		BO-FK 3000-2 -60/60.3 x 8.0	24	25	42.88	90	77.77	102	41.4	51	71.3	WAL613670

*B = approximate dimension if the hexagon socket screws are tightened

**with a safety factor of 2.5

Spare parts

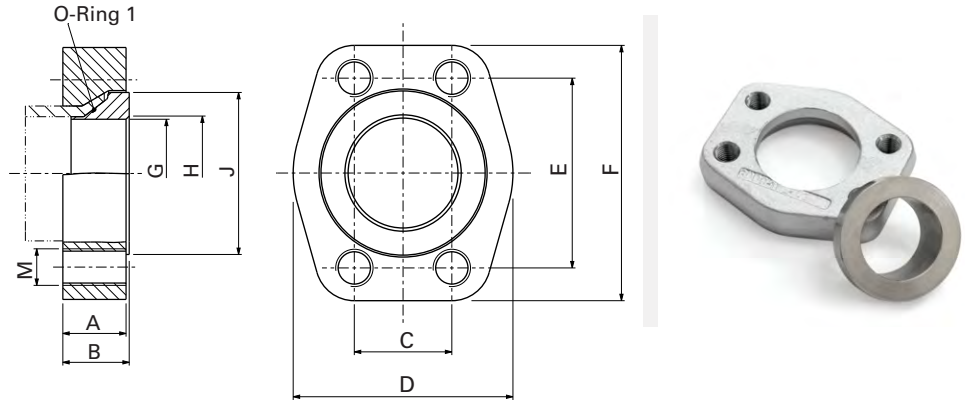
• DIN 912



Model	O-ring 1		O-ring 2		DIN 912 hexagon socket screw	
	Dimensions	Art. no.	Dimensions	Art. no.	Dimensions	Art. no.
BO-FK 3000- 1/2-16 x 2.0	12,5 x 1	WAL374756	18,64 x 3,53	WAL613769	M8 x 30	WAL021790
BO-FK 3000- 1/2-16 x 2.5	12,5 x 1	WAL374756	18,64 x 3,53	WAL613769	M8 x 30	WAL021790
BO-FK 3000- 1/2-20 x 2.0	16 x 1	WAL261058	18,64 x 3,53	WAL613769	M8 x 30	WAL021790
BO-FK 3000- 1/2-20 x 2.5	16 x 1	WAL261058	18,64 x 3,53	WAL613769	M8 x 30	WAL021790
BO-FK 3000- 1/2-20 x 3.0	15 x 1	WAL304305	18,64 x 3,53	WAL613769	M8 x 30	WAL021790
BO-FK 3000- 1/2-22 x 2.0	15 x 1	WAL304305	18,64 x 3,53	WAL613769	M8 x 30	WAL021790
BO-FK 3000- 3/4-20 x 2.0	16 x 1	WAL261058	25 x 3,53	WAL611016	M10 x 35	WAL021801
BO-FK 3000- 3/4-20 x 2.5	16 x 1	WAL261058	25 x 3,53	WAL611016	M10 x 35	WAL021801
BO-FK 3000- 3/4-20 x 3.0	15 x 1	WAL304305	25 x 3,53	WAL611016	M10 x 35	WAL021801
BO-FK 3000- 3/4-25 x 2.5	20 x 1	WAL304307	25 x 3,53	WAL611016	M10 x 35	WAL021801
BO-FK 3000- 3/4-25 x 3.0	20 x 1	WAL304307	25 x 3,53	WAL611016	M10 x 35	WAL021801
BO-FK 3000- 3/4-25 x 4.0	18 x 1	WAL304306	25 x 3,53	WAL611016	M10 x 35	WAL021801
BO-FK 3000- 3/4-28 x 3.0	23 x 1	WAL304310	25 x 3,53	WAL611016	M10 x 35	WAL021801
BO-FK 3000-1 -25 x 2.5	20 x 1	WAL304307	32,92 x 3,53	WAL610404	M10 x 35	WAL021801
BO-FK 3000-1 -25 x 3.0	20 x 1	WAL304307	32,92 x 3,53	WAL610404	M10 x 35	WAL021801
BO-FK 3000-1 -25 x 4.0	18 x 1	WAL304306	32,92 x 3,53	WAL610404	M10 x 35	WAL021801
BO-FK 3000-1 -30 x 4.0	23 x 1	WAL304310	32,92 x 3,53	WAL610404	M10 x 35	WAL021801
BO-FK 3000-1 -35 x 3.0	28 x 1	WAL304273	32,92 x 3,53	WAL610404	M10 x 35	WAL021801
BO-FK 3000-1 1/4-38 x 4.0	32 x 1,78	WAL261131	37,69 x 3,53	WAL610405	M10 x 40	WAL615362
BO-FK 3000-1 1/4-38 x 5.0	32 x 1,78	WAL261131	37,69 x 3,53	WAL610405	M10 x 40	WAL615362
BO-FK 3000-1 1/4-42 x 3.0	37 x 1	WAL374749	37,69 x 3,53	WAL610405	M10 x 40	WAL615362
BO-FK 3000-1 1/4-42 x 4.0	37 x 1	WAL374749	37,69 x 3,53	WAL610405	M10 x 40	WAL615362
BO-FK 3000-1 1/2-38 x 4.0	32 x 1,78	WAL261131	47,22 x 3,53	WAL611425	M12 x 40	WAL613632
BO-FK 3000-1 1/2-38 x 5.0	32 x 1,78	WAL261131	47,22 x 3,53	WAL611425	M12 x 40	WAL613632
BO-FK 3000-1 1/2-42 x 3.0	37 x 1	WAL374749	47,22 x 3,53	WAL611425	M12 x 40	WAL613632
BO-FK 3000-1 1/2-42 x 4.0	37 x 1	WAL374749	47,22 x 3,53	WAL611425	M12 x 40	WAL613632
BO-FK 3000-1 1/2-48.3 x 3.2	44,17 x 1,78	WAL611929	47,22 x 3,53	WAL611425	M12 x 40	WAL613632
BO-FK 3000-1 1/2-50 x 2.5	44,17 x 1,78	WAL611929	47,22 x 3,53	WAL611425	M12 x 40	WAL613632
BO-FK 3000-1 1/2-50 x 3.0	44,17 x 1,78	WAL611929	47,22 x 3,53	WAL611425	M12 x 40	WAL613632
BO-FK 3000-1 1/2-50 x 5.0	44,17 x 1,78	WAL611929	47,22 x 3,53	WAL611425	M12 x 40	WAL613632
BO-FK 3000-2 -60 x 3.0	53,7 x 1,78	WAL612146	56,74 x 3,53	WAL612145	M12 x 45	WAL613633
BO-FK 3000-2 -60.3 x 3.6	53,7 x 1,78	WAL612146	56,74 x 3,53	WAL612145	M12 x 45	WAL613633
BO-FK 3000-2 -60.3 x 5.6	50,52 x 1,78	WAL612147	56,74 x 3,53	WAL612145	M12 x 45	WAL613633
BO-FK 3000-2 -60/60.3 x 8.0	44,17 x 1,78	WAL611929	56,74 x 3,53	WAL612145	M12 x 45	WAL613633

BO-FGK 3000 ...

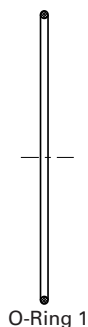
- Flange counterpart assembly



												Flange BO-FGK 3000 ...
SAE flange	PB** bar (psi)	Model	A	B*	C	D	E	F	G	H	J	Art. no.
1/2	350 (5000)	BO-FGK 3000- 1/2-16 x 2.0	16	17	17.48	48	38.1	56	10	13	30	WAL614860
		BO-FGK 3000- 1/2-16 x 2.5	16	17	17.48	48	38.1	56	9	13	30	WAL614861
		BO-FGK 3000- 1/2-20 x 2.0	16	17	17.48	48	38.1	56	14		30	WAL614862
		BO-FGK 3000- 1/2-20 x 2.5	16	17	17.48	48	38.1	56	13		30	WAL614863
		BO-FGK 3000- 1/2-20 x 3.0	16	17	17.48	48	38.1	56	12	13	30	WAL614864
		BO-FGK 3000- 1/2-22 x 2.0	16	17	17.48	48	38.1	56	16		30	WAL614865
3/4	350 (5000)	BO-FGK 3000- 3/4-20 x 2.0	17	18	22.23	50	47.63	65	14	19	38	WAL614866
		BO-FGK 3000- 3/4-20 x 2.5	17	18	22.23	50	47.63	65	13	19	38	WAL614867
		BO-FGK 3000- 3/4-20 x 3.0	17	18	22.23	50	47.63	65	12	19	38	WAL614868
		BO-FGK 3000- 3/4-25 x 2.5	17	18	22.23	50	47.63	65	18	19	38	WAL614869
		BO-FGK 3000- 3/4-25 x 3.0	17	18	22.23	50	47.63	65	17	19	38	WAL614870
		BO-FGK 3000- 3/4-25 x 4.0	17	18	22.23	50	47.63	65	15	19	38	WAL614871
		BO-FGK 3000- 3/4-28 x 3.0	17	18	22.23	50	47.63	65	20	25	38	WAL614872
1	350 (5000)	BO-FGK 3000-1 -25 x 2.5	19	20	26.19	60	52.37	71	18	25	44.5	WAL614873
		BO-FGK 3000-1 -25 x 3.0	19	20	26.19	60	52.37	71	17	25	44.5	WAL614874
		BO-FGK 3000-1 -25 x 4.0	19	20	26.19	60	52.37	71	15	25	44.5	WAL614875
		BO-FGK 3000-1 -30 x 4.0	19	20	26.19	60	52.37	71	20	25	44.5	WAL614876
		BO-FGK 3000-1 -35 x 3.0	19	20	26.19	60	52.37	71	27		44.5	WAL614877
1 1/4	250 (3570)	BO-FGK 3000-1 1/4-38 x 4.0	20	21	30.18	68	58.72	79	28	32	50.8	WAL614878
		BO-FGK 3000-1 1/4-38 x 5.0	20	21	30.18	68	58.72	79	26	32	50.8	WAL614879
		BO-FGK 3000-1 1/4-42 x 3.0	20	21	30.18	68	58.72	79	34		50.8	WAL614880
		BO-FGK 3000-1 1/4-42 x 4.0	20	21	30.18	68	58.72	79	32		50.8	WAL614881
1 1/2	210 (3000)	BO-FGK 3000-1 1/2-38 x 4.0	22	23	35.71	78	69.85	93	28	38	60	WAL614882
		BO-FGK 3000-1 1/2-38 x 5.0	22	23	35.71	78	69.85	93	26	38	60	WAL614883
		BO-FGK 3000-1 1/2-42 x 3.0	22	23	35.71	78	69.85	93	34	38	60	WAL614884
		BO-FGK 3000-1 1/2-42 x 4.0	22	23	35.71	78	69.85	93	32	38	60	WAL614885
		BO-FGK 3000-1 1/2-48.3 x 3.2	22	23	35.71	78	69.85	93	38		60	WAL614886
		BO-FGK 3000-1 1/2-50 x 2.5	22	23	35.71	78	69.85	93	42.4		60	WAL614887
		BO-FGK 3000-1 1/2-50 x 3.0	22	23	35.71	78	69.85	93	41.4		60	WAL614888
		BO-FGK 3000-1 1/2-50 x 5.0	22	23	35.71	78	69.85	93	37.4		60	WAL614889
2	210 (3000)	BO-FGK 3000-2 -60 x 3.0	22	23	42.88	90	77.77	102	51.4		71.3	WAL614890
		BO-FGK 3000-2 -60.3 x 3.6	22	23	42.88	90	77.77	102	50.5		71.3	WAL614891
		BO-FGK 3000-2 -60.3 x 5.6	22	23	42.88	90	77.77	102	46.5	51	71.3	WAL614892
		BO-FGK 3000-2 -60/60.3 x 8.0	22	23	42.88	90	77.77	102	41.4	51	71.3	WAL614893

*B = approximate dimension if the hexagon socket screws are tightened
 **with a safety factor of 2.5

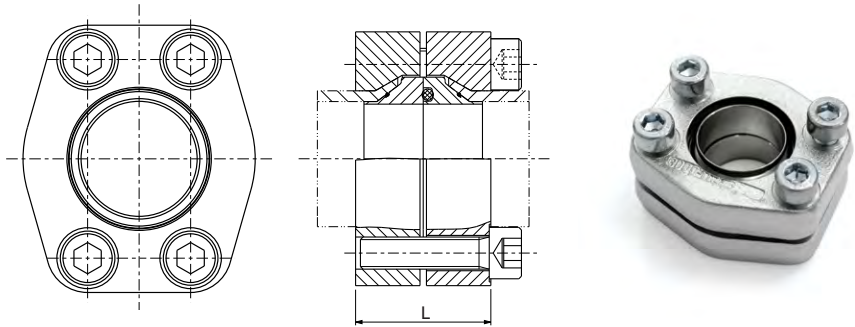
Spare parts



Model	Dimensions	Art. no.
BO-FGK 3000- 1/2-16 x 2.0	12,5 x 1	WAL374756
BO-FGK 3000- 1/2-16 x 2.5	12,5 x 1	WAL374756
BO-FGK 3000- 1/2-20 x 2.0	16 x 1	WAL261058
BO-FGK 3000- 1/2-20 x 2.5	16 x 1	WAL261058
BO-FGK 3000- 1/2-20 x 3.0	15 x 1	WAL304305
BO-FGK 3000- 1/2-22 x 2.0	15 x 1	WAL304305
BO-FGK 3000- 3/4-20 x 2.0	16 x 1	WAL261058
BO-FGK 3000- 3/4-20 x 2.5	16 x 1	WAL261058
BO-FGK 3000- 3/4-20 x 3.0	15 x 1	WAL304305
BO-FGK 3000- 3/4-25 x 2.5	20 x 1	WAL304307
BO-FGK 3000- 3/4-25 x 3.0	20 x 1	WAL304307
BO-FGK 3000- 3/4-25 x 4.0	18 x 1	WAL304306
BO-FGK 3000- 3/4-28 x 3.0	23 x 1	WAL304310
BO-FGK 3000-1 -25 x 2.5	20 x 1	WAL304307
BO-FGK 3000-1 -25 x 3.0	20 x 1	WAL304307
BO-FGK 3000-1 -25 x 4.0	18 x 1	WAL304306
BO-FGK 3000-1 -30 x 4.0	23 x 1	WAL304310
BO-FGK 3000-1 -35 x 3.0	28 x 1	WAL304273
BO-FGK 3000-1 1/4-38 x 4.0	32 x 1.78	WAL261131
BO-FGK 3000-1 1/4-38 x 5.0	32 x 1.78	WAL261131
BO-FGK 3000-1 1/4-42 x 3.0	37 x 1	WAL374749
BO-FGK 3000-1 1/4-42 x 4.0	37 x 1	WAL374749
BO-FGK 3000-1 1/2-38 x 4.0	32 x 1.78	WAL261131
BO-FGK 3000-1 1/2-38 x 5.0	32 x 1.78	WAL261131
BO-FGK 3000-1 1/2-42 x 3.0	37 x 1	WAL374749
BO-FGK 3000-1 1/2-42 x 4.0	37 x 1	WAL374749
BO-FGK 3000-1 1/2-48.3 x 3.2	44.17 x 1.78	WAL611929
BO-FGK 3000-1 1/2-50 x 2.5	44.17 x 1.78	WAL611929
BO-FGK 3000-1 1/2-50 x 3.0	44.17 x 1.78	WAL611929
BO-FGK 3000-1 1/2-50 x 5.0	44.17 x 1.78	WAL611929
BO-FGK 3000-2 -60 x 3.0	53.7 x 1.78	WAL612146
BO-FGK 3000-2 -60.3 x 3.6	53.7 x 1.78	WAL612146
BO-FGK 3000-2 -60.3 x 5.6	50.52 x 1.78	WAL612147
BO-FGK 3000-2 -60/60.3 x 8.0	44.17 x 1.78	WAL611929

BO-FVK 3000 ...

- Flange connector assembly



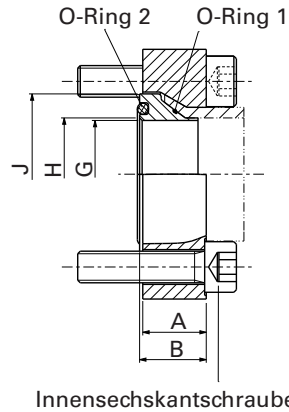
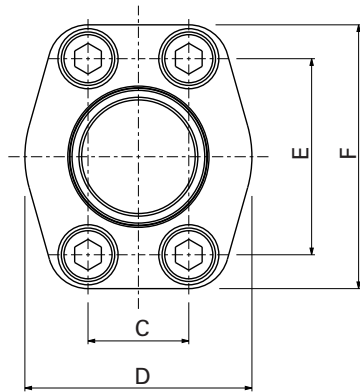
Flange BO-FVK 3000				
SAE flange	PB** bar (psi)	L*	Model	Art. no.
1/2	350 (5000)	34	BO-FVK 3000- 1/2-16 x 2.0	WAL613701
		34	BO-FVK 3000- 1/2-16 x 2.5	WAL613702
		34	BO-FVK 3000- 1/2-20 x 2.0	WAL613703
		34	BO-FVK 3000- 1/2-20 x 2.5	WAL613704
		34	BO-FVK 3000- 1/2-20 x 3.0	WAL613705
		34	BO-FVK 3000- 1/2-22 x 2.0	WAL613706
3/4	350 (5000)	36	BO-FVK 3000- 3/4-20 x 2.0	WAL613707
		36	BO-FVK 3000- 3/4-20 x 2.5	WAL613708
		36	BO-FVK 3000- 3/4-20 x 3.0	WAL613709
		36	BO-FVK 3000- 3/4-25 x 2.5	WAL613710
		36	BO-FVK 3000- 3/4-25 x 3.0	WAL613711
		36	BO-FVK 3000- 3/4-25 x 4.0	WAL613712
		36	BO-FVK 3000- 3/4-28 x 3.0	WAL613713
1	350 (5000)	40	BO-FVK 3000-1 -25 x 2.5	WAL613714
		40	BO-FVK 3000-1 -25 x 3.0	WAL613715
		40	BO-FVK 3000-1 -25 x 4.0	WAL613716
		40	BO-FVK 3000-1 -30 x 4.0	WAL613717
		40	BO-FVK 3000-1 -35 x 3.0	WAL613718
1 1/4	250 (3570)	42	BO-FVK 3000-1 1/4-38 x 4.0	WAL613719
		42	BO-FVK 3000-1 1/4-38 x 5.0	WAL613720
		42	BO-FVK 3000-1 1/4-42 x 3.0	WAL613721
		42	BO-FVK 3000-1 1/4-42 x 4.0	WAL613722
1 1/2	210 (3000)	46	BO-FVK 3000-1 1/2-38 x 4.0	WAL613723
		46	BO-FVK 3000-1 1/2-38 x 5.0	WAL613724
		46	BO-FVK 3000-1 1/2-42 x 3.0	WAL613725
		46	BO-FVK 3000-1 1/2-42 x 4.0	WAL613726
		46	BO-FVK 3000-1 1/2-48.3 x 3.2	WAL613727
		46	BO-FVK 3000-1 1/2-50 x 2.5	WAL613728
		46	BO-FVK 3000-1 1/2-50 x 3.0	WAL613729
		46	BO-FVK 3000-1 1/2-50 x 5.0	WAL613730
2	210 (3000)	50	BO-FVK 3000-2 -60 x 3.0	WAL613731
		50	BO-FVK 3000-2 -60.3 x 3.6	WAL613732
		50	BO-FVK 3000-2 -60.3 x 5.6	WAL613733
		50	BO-FVK 3000-2 -60/60.3 x 8.0	WAL613734

*B = approximate dimension if the hexagon socket screws are tightened

**with a safety factor of 2.5

BO-FK 6000 ...

- Flange assembly



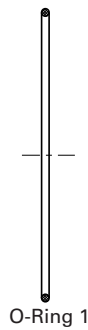
												Flange BO-FK 6000
SAE flange	PB** bar (psi)	Model	A	B*	C	D	E	F	G	H	J	Art. no.
1/2	420 (6000)	BO-FK 6000- 1/2-16 x 2.5	16	17	18.24	48	40.49	56	9	13	30	WAL613671
		BO-FK 6000- 1/2-16 x 3.0	16	17	18.24	48	40.49	56	8	13	30	WAL613672
		BO-FK 6000- 1/2-20 x 2.5	16	17	18.24	48	40.49	56	13		30	WAL613673
		BO-FK 6000- 1/2-20 x 3.0	16	17	18.24	48	40.49	56	12	13	30	WAL613674
		BO-FK 6000- 1/2-20 x 3.5	16	17	18.24	48	40.49	56	11	13	30	WAL613675
3/4	420 (6000)	BO-FK 6000- 3/4-20 x 2.5	19	20	23.8	60	50.8	71	13	19	38	WAL613676
		BO-FK 6000- 3/4-20 x 3.0	19	20	23.8	60	50.8	71	12	19	38	WAL613677
		BO-FK 6000- 3/4-20 x 3.5	19	20	23.8	60	50.8	71	11	19	38	WAL613678
		BO-FK 6000- 3/4-20 x 4.0	19	20	23.8	60	50.8	71	10	19	38	WAL613679
		BO-FK 6000- 3/4-25 x 3.0	19	20	23.8	60	50.8	71	17	19	38	WAL613680
1	420 (6000)	BO-FK 6000-1 -25 x 2.5	24.5	25.5	27.76	70	57.15	81	18	25	44.5	WAL613682
		BO-FK 6000-1 -25 x 3.0	24.5	25.5	27.76	70	57.15	81	17	25	44.5	WAL613683
		BO-FK 6000-1 -25 x 4.0	24.5	25.5	27.76	70	57.15	81	15	25	44.5	WAL613684
		BO-FK 6000-1 -30 x 4.0	24.5	25.5	27.76	70	57.15	81	20	25	44.5	WAL613685
		BO-FK 6000-1 -30 x 5.0	24.5	25.5	27.76	70	57.15	81	18	25	44.5	WAL613686
		BO-FK 6000-1 -34 x 4.5	24.5	25.5	27.76	70	57.15	81	23	25	44.5	WAL613687
1 1/4	420 (6000)	BO-FK 6000-1 -38 x 5.0	24.5	25.5	27.76	70	57.15	81	26		44.5	WAL613688
		BO-FK 6000-1 1/4-30 x 5.0	30	31	31.75	78	66.68	95	18	32	50.8	WAL614776
		BO-FK 6000-1 1/4-38 x 4.0	30	31	31.75	78	66.68	95	28	32	50.8	WAL613689
		BO-FK 6000-1 1/4-38 x 5.0	30	31	31.75	78	66.68	95	26	32	50.8	WAL613690
		BO-FK 6000-1 1/4-38 x 6.0	30	31	31.75	78	66.68	95	24	32	50.8	WAL613691
1 1/2	420 (6000)	BO-FK 6000-1 1/4-43 x 5.5	30	31	31.75	78	66.68	95	30	32	50.8	WAL613692
		BO-FK 6000-1 1/2-38 x 5.0	32	33	36.5	96	79.38	113	26	38	60	WAL613693
		BO-FK 6000-1 1/2-38 x 6.0	32	33	36.5	96	79.38	113	24	38	60	WAL613694
		BO-FK 6000-1 1/2-50 x 5.0	32	33	36.5	96	79.38	113	37.4		60	WAL613695
2	420 (6000)	BO-FK 6000-1 1/2-50 x 6.0	32	33	36.5	96	79.38	113	35.4	38	60	WAL613696
		BO-FK 6000-1 1/2-50 x 8.0	32	33	36.5	96	79.38	113	31.4	38	60	WAL613697
		BO-FK 6000-2 x 6.0	32	33	44.45	114	96.82	134	45.4	51	71.3	WAL613698
		BO-FK 6000-2-60 /60.3 x 8.0	32	33	44.45	114	96.82	134	41.4	51	71.3	WAL613765
		BO-FK 6000-2-60 /60.3 x 10.0	32	33	44.45	114	96.82	134	37.4	51	71.3	WAL613766

*B = approximate dimension if the hexagon socket screws are tightened

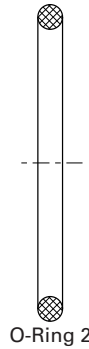
**with a safety factor of 2.5

Spare parts

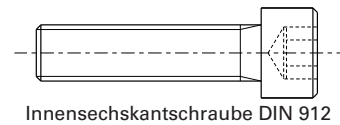
• DIN 912



O-Ring 1



O-Ring 2

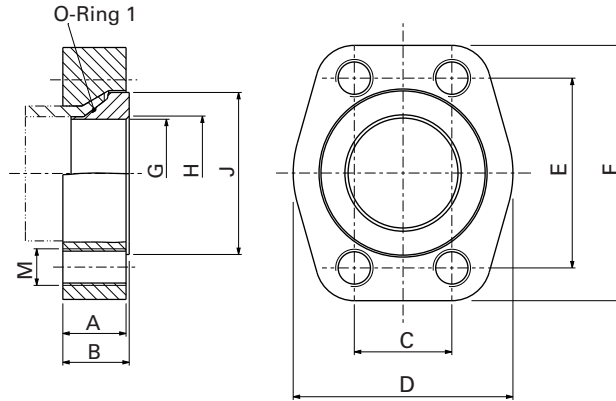


Innensechskantschraube DIN 912

	O-ring 1		O-ring 2		Hexagon socket screw	
Model	Dimensions	Art. no.	Dimensions	Art. no.	Dimensions	Art. no.
BO-FK 6000- 1/2-16 x 2.5	12,5 x 1	WAL374756	18.64 x 3.53	WAL613769	M8 x 30	WAL021790
BO-FK 6000- 1/2-16 x 3.0	11 x 1	WAL374750	18.64 x 3.53	WAL613769	M8 x 30	WAL021790
BO-FK 6000- 1/2-20 x 2.5	16 x 1	WAL261058	18.64 x 3.53	WAL613769	M8 x 30	WAL021790
BO-FK 6000- 1/2-20 x 3.0	15 x 1	WAL304305	18.64 x 3.53	WAL613769	M8 x 30	WAL021790
BO-FK 6000- 1/2-20 x 3.5	15 x 1	WAL304305	18.64 x 3.53	WAL613769	M8 x 30	WAL021790
BO-FK 6000- 3/4-20 x 2.5	16 x 1	WAL261058	25 x 3.53	WAL611016	M10 x 35	WAL021801
BO-FK 6000- 3/4-20 x 3.0	15 x 1	WAL304305	25 x 3.53	WAL611016	M10 x 35	WAL021801
BO-FK 6000- 3/4-20 x 3.5	15 x 1	WAL304305	25 x 3.53	WAL611016	M10 x 35	WAL021801
BO-FK 6000- 3/4-20 x 4.0	15 x 1	WAL304305	25 x 3.53	WAL611016	M10 x 35	WAL021801
BO-FK 6000- 3/4-25 x 3.0	20 x 1	WAL304307	25 x 3.53	WAL611016	M10 x 35	WAL021801
BO-FK 6000- 3/4-25 x 4.0	18 x 1	WAL304306	25 x 3.53	WAL611016	M10 x 35	WAL021801
BO-FK 6000-1 -25 x 2.5	20 x 1	WAL304307	32.92 x 3.53	WAL610404	M12 x 45	WAL613633
BO-FK 6000-1 -25 x 3.0	20 x 1	WAL304307	32.92 x 3.53	WAL610404	M12 x 45	WAL613633
BO-FK 6000-1 -25 x 4.0	18 x 1	WAL304306	32.92 x 3.53	WAL610404	M12 x 45	WAL613633
BO-FK 6000-1 -30 x 4.0	23 x 1	WAL304310	32.92 x 3.53	WAL610404	M12 x 45	WAL613633
BO-FK 6000-1 -30 x 5.0	23 x 1	WAL304310	32.92 x 3.53	WAL610404	M12 x 45	WAL613633
BO-FK 6000-1 -34 x 4.5	28 x 1	WAL304273	32.92 x 3.53	WAL610404	M12 x 45	WAL613633
BO-FK 6000-1 -38 x 5.0	32 x 1.78	WAL261131	32.92 x 3.53	WAL610404	M12 x 45	WAL613633
BO-FK 6000-1 1/4-30 x 5.0	23 x 1	WAL304310	37.69 x 3.53	WAL610405	M14 x 55	WAL613634
BO-FK 6000-1 1/4-38 x 4.0	32 x 1.78	WAL261131	37.69 x 3.53	WAL610405	M14 x 55	WAL613634
BO-FK 6000-1 1/4-38 x 5.0	32 x 1.78	WAL261131	37.69 x 3.53	WAL610405	M14 x 55	WAL613634
BO-FK 6000-1 1/4-38 x 6.0	32 x 1.78	WAL261131	37.69 x 3.53	WAL610405	M14 x 55	WAL613634
BO-FK 6000-1 1/4-43 x 5.5	32 x 1.78	WAL261131	37.69 x 3.53	WAL610405	M14 x 55	WAL613634
BO-FK 6000-1 1/2-38 x 5.0	32 x 1.78	WAL261131	47.22 x 3.53	WAL611425	M16 x 60	WAL614454
BO-FK 6000-1 1/2-38 x 6.0	32 x 1.78	WAL261131	47.22 x 3.53	WAL611425	M16 x 60	WAL614454
BO-FK 6000-1 1/2-50 x 5.0	44.17 x 1.78	WAL611929	47.22 x 3.53	WAL611425	M16 x 60	WAL614454
BO-FK 6000-1 1/2-50 x 6.0	37.82 x 1.78	WAL612739	47.22 x 3.53	WAL611425	M16 x 60	WAL614454
BO-FK 6000-1 1/2-50 x 8.0	37.82 x 1.78	WAL612739	47.22 x 3.53	WAL611425	M16 x 60	WAL614454
BO-FK 6000-2 x 6.0	50.52 x 1.78	WAL612147	56.74 x 3.53	WAL612145	M20 x 60	WAL613636
BO-FK 6000-2-60 /60.3 x 8.0	44.17 x 1.78	WAL611929	56.74 x 3.53	WAL612145	M20 x 60	WAL613636
BO-FK 6000-2-60 /60.3 x 10.0	44.17 x 1.78	WAL611929	56.74 x 3.53	WAL612145	M20 x 60	WAL613636

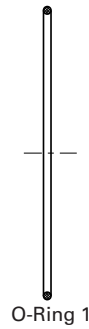
BO-FGK 6000 ...

- Flange counterpart assembly



													Flange BO-FGK 6000
SAE flange	PB** bar (psi)	Model	A	B*	C	D	E	F	G	H	J	M	Art. no.
1/2	420 (6000)	BO-FGK 6000- 1/2-16 x 2.5	16	17	18.24	48	40.49	56	9	13	30	M8	WAL614913
		BO-FGK 6000- 1/2-16 x 3.0	16	17	18.24	48	40.49	56	8	13	30	M8	WAL614914
		BO-FGK 6000- 1/2-20 x 2.5	16	17	18.24	48	40.49	56	13		30	M8	WAL614915
		BO-FGK 6000- 1/2-20 x 3.0	16	17	18.24	48	40.49	56	12	13	30	M8	WAL614916
		BO-FGK 6000- 1/2-20 x 3.5	16	17	18.24	48	40.49	56	11	13	30	M8	WAL614917
3/4	420 (6000)	BO-FGK 6000- 3/4-20 x 2.5	19	20	23.8	60	50.8	71	13	19	38	M10	WAL614918
		BO-FGK 6000- 3/4-20 x 3.0	19	20	23.8	60	50.8	71	12	19	38	M10	WAL614919
		BO-FGK 6000- 3/4-20 x 3.5	19	20	23.8	60	50.8	71	11	19	38	M10	WAL614920
		BO-FGK 6000- 3/4-20 x 4.0	19	20	23.8	60	50.8	71	10	19	38	M10	WAL614921
		BO-FGK 6000- 3/4-25 x 3.0	19	20	23.8	60	50.8	71	17	19	38	M10	WAL614922
		BO-FGK 6000- 3/4-25 x 4.0	19	20	23.8	60	50.8	71	15	19	38	M10	WAL614923
1	420 (6000)	BO-FGK 6000-1 -25 x 2.5	24.5	25.5	27.76	70	57.15	81	18	25	44.5	M12	WAL614924
		BO-FGK 6000-1 -25 x 3.0	24.5	25.5	27.76	70	57.15	81	17	25	44.5	M12	WAL614925
		BO-FGK 6000-1 -25 x 4.0	24.5	25.5	27.76	70	57.15	81	15	25	44.5	M12	WAL614926
		BO-FGK 6000-1 -30 x 4.0	24.5	25.5	27.76	70	57.15	81	20	25	44.5	M12	WAL614927
		BO-FGK 6000-1 -30 x 5.0	24.5	25.5	27.76	70	57.15	81	18	25	44.5	M12	WAL614928
		BO-FGK 6000-1 -34 x 4.5	24.5	25.5	27.76	70	57.15	81	23	25	44.5	M12	WAL614929
		BO-FGK 6000-1 -38 x 5.0	24.5	25.5	27.76	70	57.15	81	26		44.5	M12	WAL614930
1 1/4	420 (6000)	BO-FGK 6000-1 1/4-30 x 5.0	30	31	31.75	78	66.68	95	18	32	50.8	M14	WAL614931
		BO-FGK 6000-1 1/4-38 x 4.0	30	31	31.75	78	66.68	95	28	32	50.8	M14	WAL614932
		BO-FGK 6000-1 1/4-38 x 5.0	30	31	31.75	78	66.68	95	26	32	50.8	M14	WAL614933
		BO-FGK 6000-1 1/4-38 x 6.0	30	31	31.75	78	66.68	95	24	32	50.8	M14	WAL614934
		BO-FGK 6000-1 1/4-43 x 5.5	30	31	31.75	78	66.68	95	30	32	50.8	M14	WAL614935
1 1/2	420 (6000)	BO-FGK 6000-1 1/2-38 x 5.0	32	33	36.5	96	79.38	113	26	38	60	M16	WAL614936
		BO-FGK 6000-1 1/2-38 x 6.0	32	33	36.5	96	79.38	113	24	38	60	M16	WAL614937
		BO-FGK 6000-1 1/2-50 x 5.0	32	33	36.5	96	79.38	113	37.4		60	M16	WAL614938
		BO-FGK 6000-1 1/2-50 x 6.0	32	33	36.5	96	79.38	113	35.4	38	60	M16	WAL614939
		BO-FGK 6000-1 1/2-50 x 8.0	32	33	36.5	96	79.38	113	31.4	38	60	M16	WAL614940
2	420 (6000)	BO-FGK 6000-2 x 6.0	32	33	44.45	114	96.82	134	45.4	51	71.3	M20	WAL614941
		BO-FGK 6000-2-60 /60.3 x 8.0	32	33	44.45	114	96.82	134	41.4	51	71.3	M20	WAL614942
		BO-FGK 6000-2-60 /60.3 x 10.0	32	33	44.45	114	96.82	134	37.4	51	71.3	M20	WAL614943

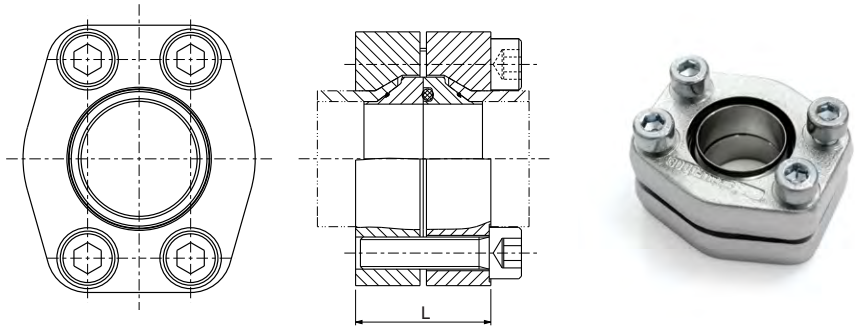
*B = approximate dimension if the hexagon socket screws are tightened
 **with a safety factor of 2.5

Spare parts


Model	Dimensions	Art. no.
BO-FGK 6000- 1/2-16 x 2.5	12,5 x 1	WAL374756
BO-FGK 6000- 1/2-16 x 3.0	11 x 1	WAL374750
BO-FGK 6000- 1/2-20 x 2.5	16 x 1	WAL261058
BO-FGK 6000- 1/2-20 x 3.0	15 x 1	WAL304305
BO-FGK 6000- 1/2-20 x 3.5	15 x 1	WAL304305
BO-FGK 6000- 3/4-20 x 2.5	16 x 1	WAL261058
BO-FGK 6000- 3/4-20 x 3.0	15 x 1	WAL304305
BO-FGK 6000- 3/4-20 x 3.5	15 x 1	WAL304305
BO-FGK 6000- 3/4-20 x 4.0	15 x 1	WAL304305
BO-FGK 6000- 3/4-25 x 3.0	20 x 1	WAL304307
BO-FGK 6000- 3/4-25 x 4.0	18 x 1	WAL304306
BO-FGK 6000-1 -25 x 2.5	20 x 1	WAL304307
BO-FGK 6000-1 -25 x 3.0	20 x 1	WAL304307
BO-FGK 6000-1 -25 x 4.0	18 x 1	WAL304306
BO-FGK 6000-1 -30 x 4.0	23 x 1	WAL304310
BO-FGK 6000-1 -30 x 5.0	23 x 1	WAL304310
BO-FGK 6000-1 -34 x 4.5	28 x 1	WAL304273
BO-FGK 6000-1 -38 x 5.0	32 x 1.78	WAL261131
BO-FGK 6000-1 1/4-30 x 5.0	23 x 1	WAL304310
BO-FGK 6000-1 1/4-38 x 4.0	32 x 1.78	WAL261131
BO-FGK 6000-1 1/4-38 x 5.0	32 x 1.78	WAL261131
BO-FGK 6000-1 1/4-38 x 6.0	32 x 1.78	WAL261131
BO-FGK 6000-1 1/4-43 x 5.5	32 x 1.78	WAL261131
BO-FGK 6000-1 1/2-38 x 5.0	32 x 1.78	WAL261131
BO-FGK 6000-1 1/2-38 x 6.0	32 x 1.78	WAL261131
BO-FGK 6000-1 1/2-50 x 5.0	44.17 x 1.78	WAL611929
BO-FGK 6000-1 1/2-50 x 6.0	37.82 x 1.78	WAL612739
BO-FGK 6000-1 1/2-50 x 8.0	37.82 x 1.78	WAL612739
BO-FGK 6000-2 x 6.0	50.52 x 1.78	WAL612147
BO-FGK 6000-2-60 /60.3 x 8.0	44.17 x 1.78	WAL611929
BO-FGK 6000-2-60 /60.3 x 10.0	44.17 x 1.78	WAL612147

BO-FVK 6000

Flange connector assembly



Flange BO-FVK 6000				
SAE flange	PB** bar (psi)	L*	Model	Art. no.
1/2	420 (6000)	34	BO-FVK 6000- 1/2-16 x 2.5	WAL613735
		34	BO-FVK 6000- 1/2-16 x 3.0	WAL613736
		34	BO-FVK 6000- 1/2-20 x 2.5	WAL613737
		34	BO-FVK 6000- 1/2-20 x 3.0	WAL613738
		34	BO-FVK 6000- 1/2-20 x 3.5	WAL613739
3/4	420 (6000)	40	BO-FVK 6000- 3/4-20 x 2.5	WAL613740
		40	BO-FVK 6000- 3/4-20 x 3.0	WAL613741
		40	BO-FVK 6000- 3/4-20 x 3.5	WAL613742
		40	BO-FVK 6000- 3/4-20 x 4.0	WAL613743
		40	BO-FVK 6000- 3/4-25 x 3.0	WAL613744
		40	BO-FVK 6000- 3/4-25 x 4.0	WAL613745
1	420 (6000)	51	BO-FVK 6000-1 -25 x 2.5	WAL613746
		51	BO-FVK 6000-1 -25 x 3.0	WAL613747
		51	BO-FVK 6000-1 -25 x 4.0	WAL613748
		51	BO-FVK 6000-1 -30 x 4.0	WAL613749
		51	BO-FVK 6000-1 -30 x 5.0	WAL613750
		51	BO-FVK 6000-1 -34 x 4.5	WAL613751
		51	BO-FVK 6000-1 -38 x 5.0	WAL613752
1 1/4	420 (6000)	62	BO-FVK 6000-1 1/4-30 x 5.0	WAL614777
		62	BO-FVK 6000-1 1/4-38 x 4.0	WAL613753
		62	BO-FVK 6000-1 1/4-38 x 5.0	WAL613754
		62	BO-FVK 6000-1 1/4-38 x 6.0	WAL613755
		62	BO-FVK 6000-1 1/4-43 x 5.5	WAL613756
1 1/2	420 (6000)	66	BO-FVK 6000-1 1/2-38 x 5.0	WAL613757
		66	BO-FVK 6000-1 1/2-38 x 6.0	WAL613758
		66	BO-FVK 6000-1 1/2-50 x 5.0	WAL613759
		66	BO-FVK 6000-1 1/2-50 x 6.0	WAL613760
		66	BO-FVK 6000-1 1/2-50 x 8.0	WAL613761
2	420 (6000)	66	BO-FVK 6000-2 x 6.0	WAL613762
		66	BO-FVK 6000-2-60 /60.3 x 8.0	WAL613767
		66	BO-FVK 6000-2-60 /60.3 x 10.0	WAL613768







*B = approximate dimension if the hexagon socket screws are tightened

**with a safety factor of 2.5

J

**Blanking plugs, blanking ends,
tube inserts, welding nipples,
O-rings**

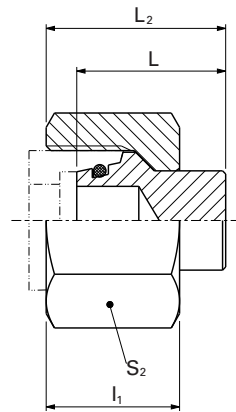


	Figure Fitting	Figure Stud	Model	Page
System nuts with blanking plug / blanking plug			VSD-M / VSD ...	J3 / J4
System nuts with blanking end / blanking end			P-VSK / VSK ...	J5 / J6
Blanking ends			VS-R ... -WD	J7
			VS-M ... -WD	J8
			VS- ... M-OR	J9
Tube inserts			EH ...	J11
Welding nipples			SN	J12
O-rings				J13 - J17

VSD-M...

VSD-M ... -1.4571

- with taper and O-ring
- with soft seal made from NBR* (e.g. Perbunan) for steel
- with soft seal made from FKM (e.g. Viton) for stainless steel (1.4571)



J

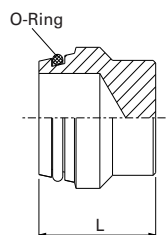
												System nuts with blanking plug VSD-M ...	System nuts with blanking plug Stainless steel (1.4571) VSD-M ... -1.4571
Series	PN bar (psi)	Tube outer diameter	M	Model	kg/100 pc.	L	I ₁	L ₂	S ₂	O-ring	Art. no.	Art. no.	
LL	100 (1450)	4	M12 x 1.5	VSD-M 4 LL A4GS	1.1	13.5	11	15.36	10	3 x 1	WAL626561	WAL626580	
		6	M14 x 1.5	VSD-M 6 LL A4GS	1.8	15	11.5	15.86	12	5 x 1	WAL626562	WAL626581	
		8	M16 x 1.5	VSD-M 8 LL A4GS	2.6	15	12	16.36	14	7 x 1	WAL626563	WAL626582	
L	800 (11603)	6	M12 x 1.5	VSD-M 6 L A4GS	1.9	17	14.5	17.4	14	4.5 x 1.5	WAL626564	WAL626583	
		8	M14 x 1.5	VSD-M 8 L A4GS	2.7	17	14.5	17.4	17	6 x 1.5	WAL626565	WAL626584	
		10	M16 x 1.5	VSD-M 10 L A4GS	3.6	20	15.5	20.9	19	8.5 x 1.5	WAL626566	WAL626585	
	630 (9137)	12	M18 x 1.5	VSD-M 12 L A4GS	4.5	21	15.5	22.9	22	10 x 1.5	WAL626558	WAL626586	
	400 (5801)	15	M22 x 1.5	VSD-M 15 L A4GS	6.3	20	17	22.4	27	12 x 2	WAL626567	WAL626587	
	18	M26 x 1.5	VSD-M 18 L A4GS	9.0	21	18	23.4	32	15 x 2	WAL626568	WAL626588		
S	250 (3626)	22	M30 x 2	VSD-M 22 L A4GS	12.8	23	20	24.9	36	20 x 2	WAL626569	WAL626589	
		28	M36 x 2	VSD-M 28 L A4GS	17.6	23	21	26.1	41	26 x 2	WAL626559	WAL626590	
		35	M45 x 2	VSD-M 35 L A4GS	30.0	29	24	31.3	50	32 x 2	WAL626570	WAL626591	
	42	M52 x 2	VSD-M 42 L A4GS	43.6	30	24	30.9	60	38 x 2.5	WAL626571	WAL626592		
	800 (11603)	6	M14 x 1.5	VSD-M 6 S A4GS	2.5	17	16.5	19.4	17	4.5 x 1.5	WAL626572	WAL626593	
	8	M16 x 1.5	VSD-M 8 S A4GS	3.0	17	16.5	19.4	19	6 x 1.5	WAL626573	WAL626594		
S	630 (9137)	10	M18 x 1.5	VSD-M 10 S A4GS	4.6	20	17.5	21.9	22	8.5 x 1.5	WAL626574	WAL626595	
		12	M20 x 1.5	VSD-M 12 S A4GS	5.5	21	17.5	23.9	24	10 x 1.5	WAL626545	WAL626596	
		14	M22 x 1.5	VSD-M 14 S A4GS	7.3	23	20.5	26.9	27	12 x 2	WAL626575	WAL626597	
	16	M24 x 1.5	VSD-M 16 S A4GS	9.2	24	20.5	28.9	30	14 x 2	WAL626546	WAL626598		
	20	M30 x 2	VSD-M 20 S A4GS	14.5	28	24	31.0	36	17.3 x 2.4	WAL626576	WAL626599		
	420 (6091)	25	M36 x 2	VSD-M 25 S A4GS	29.7	31	27	35.7	46	22.3 x 2.4	WAL626577	WAL626600	
30	M42 x 2	VSD-M 30 S A4GS	35.7	34	29	39.7	50	27.3 x 2.4	WAL626578	WAL626601			
38	M52 x 2	VSD-M 38 S A4GS	51.5	38	32.5	45.5	60	35 x 2.5	WAL626579	WAL626602			

⚠ Caution: The pressure specifications refer to the steel version. For the stainless steel version (1.4571), please refer to the pressure specifications on page B5.

*For FPM (e.g. Viton) see price list / available on request

VSD...

VSD... -1.4571



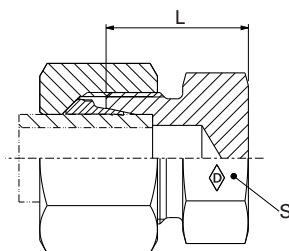
J

Blanking plugs
Stainless steel (1.4571)
VSD ... -1.4571

Series	PN bar (psi)	Tube outer diameter	Model	Art. no.	Art. no.
LL	100 (1450)	4	VSD 4 LL M.MB.	WAL612327	WAL618772
		6	VSD 6 LL M.MB.	WAL612328	WAL618773
		8	VSD 8 LL M.MB.	WAL612329	WAL618774
L	800 (11603)	6	VSD 6 L/S M.MB.	WAL612330	WAL618775
		8	VSD 8 L/S M.MB.	WAL612331	WAL618776
		10	VSD 10 L/S M.MB.	WAL612332	WAL618777
	630 (9137)	12	VSD 12 L/S M.MB.	WAL612333	WAL618778
		15	VSD 15 L M.MB.	WAL612334	WAL618779
	400 (5801)	18	VSD 18 L M.MB.	WAL612335	WAL618780
		22	VSD 22 L M.MB.	WAL612336	WAL618781
		28	VSD 28 L M.MB.	WAL612337	WAL618782
		35	VSD 35 L M.MB.	WAL612338	WAL618783
		42	VSD 42 L M.MB.	WAL612339	WAL618784
S	800 (11603)	6	VSD 6 L/S M.MB.	WAL612330	WAL618775
		8	VSD 8 L/S M.MB.	WAL612331	WAL618776
		10	VSD 10 L/S M.MB.	WAL612332	WAL618777
	630 (9137)	12	VSD 12 L/S M.MB.	WAL612333	WAL618778
		14	VSD 14 S M.MB.	WAL612340	WAL618785
		16	VSD 16 S M.MB.	WAL612341	WAL618786
	420 (6091)	20	VSD 20 S M.MB.	WAL612342	WAL618787
		25	VSD 25 S M.MB.	WAL612343	WAL618788
		30	VSD 30 S M.MB.	WAL612344	WAL618789
		38	VSD 38 S M.MB.	WAL612345	WAL618790

⚠ Caution: The pressure specifications refer to the steel version. For the stainless steel version (1.4571), please refer to the pressure specifications on page B5.

P-VSK ...

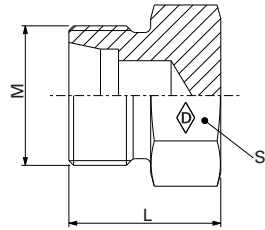


J

Blanking ends
P-VSK...

Series	PN bar (psi)	Tube outer diameter	M	Model	kg/100 pc.	L	S ₁	
L	500 (7252)	6	M 12 x 1.5	P-VSK 6 L	2.5	17	14	WAL608941
		8	M 14 x 1.5	P-VSK 8 L	4.1	17	17	WAL608942
		10	M 16 x 1.5	P-VSK 10 L	5.1	20	17	WAL608943
		12	M 18 x 1.5	P-VSK 12 L	6.4	21	19	WAL608944
	400 (5801)	15	M 22 x 1.5	P-VSK 15 L	10.5	20	24	WAL608945
		18	M 26 x 1.5	P-VSK 18 L	14.8	21	27	WAL608946
	250 (3626)	22	M 30 x 2	P-VSK 22 L	20.4	23	32	WAL608947
		28	M 36 x 2	P-VSK 28 L	30.2	23	41	WAL608948
		35	M 45 x 2	P-VSK 35 L	44.5	29	46	WAL608949
		42	M 52 x 2	P-VSK 42 L	68.7	30	55	WAL608950
S	800 (11603)	6	M 14 x 1.5	P-VSK 6 S	3.6	17	17	WAL608951
		8	M 16 x 1.5	P-VSK 8 S	4.5	17	17	WAL608952
		10	M 18 x 1.5	P-VSK 10 S	6.9	20	19	WAL608953
		12	M 20 x 1.5	P-VSK 12 S	9.3	21	22	WAL608954
	630 (9137)	14	M 22 x 1.5	P-VSK 14 S	11.8	23	24	WAL608955
		16	M 24 x 1.5	P-VSK 16 S	14.5	24	27	WAL608956
	420 (6091)	20	M 30 x 2	P-VSK 20 S	23.7	28	32	WAL608957
		25	M 36 x 2	P-VSK 25 S	43.9	31	41	WAL608958
		30	M 42 x 2	P-VSK 30 S	53.8	34	46	WAL608959
		38	M 52 x 2	P-VSK 38 S	83.8	38	55	WAL608960

VSK ...



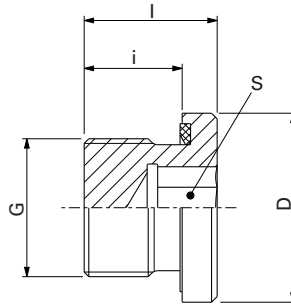
J

					Blanking ends VSK...
Series	PN (bar) (psi)	Tube outer diameter	Model	kg/ 100 pc.	Art. no.
L	500 (7252)	6	VSK 6 L	1.4	WAL609765
		8	VSK 8 L	2.4	WAL609766
		10	VSK 10 L	2.7	WAL372285
	400 (5801)	12	VSK 12 L	3.4	WAL063311
		15	VSK 15 L	5.9	WAL609767
		18	VSK 18 L	8.1	WAL061866
		22	VSK 22 L	11.5	WAL609768
		28	VSK 28 L	20.5	WAL609769
	250 (3626)	35	VSK 35 L	29.2	WAL609770
		42	VSK 42 L	44.9	WAL609771
S	800 (11603)	6	VSK 6 S	1.9	WAL609772
		8	VSK 8 S	2.5	WAL609773
		10	VSK 10 S	3.5	WAL371395
	630 (9137)	12	VSK 12 S	5.3	WAL024051
		14	VSK 14 S	6.2	WAL609774
		16	VSK 16 S	7.8	WAL063859
		20	VSK 20 S	13.1	WAL063400
	420 (6091)	25	VSK 25 S	22.9	WAL063312
		30	VSK 30 S	30.2	WAL602420
		38	VSK 38 S	50.2	WAL609775

VS-R ... -WD

VS-R ... -WD-1.4571

- with hexagon socket
- with soft seal made from NBR* (e.g. Perbunan) for steel
- with soft seal made from FKM (e.g. Viton) for stainless steel (1.4571)
- Inch studs type E to DIN EN ISO 1179-2



J

PN bar (psi)	DIN - ISO 228 (R..., DIN 259)	Model	kg/ 100 pc.	D	L	i	S	O-ring	Blanking ends	Blanking ends
									VS-R ... -WD	Stainless steel (1.4571) VS-R ... -WD-1.4571
									Art. no.	Art. no.
400 (5801)	G 1/8 A	VS-R 1/8 -WD	0.6	14	12	8	5	3 x 1	WAL036856	WAL602800
	G 1/4 A	VS-R 1/4 -WD	1.4	19	17	12	6	5 x 1	WAL036858	WAL374787
	G 3/8 A	VS-R 3/8 -WD	2.1	22	17	12	8	7 x 1	WAL036860	WAL374841
	G 1/2 A	VS-R 1/2 -WD	4.0	27	19	14	10	4.5 x 1.5	WAL036862	WAL372597
	G 3/4 A	VS-R 3/4 -WD	7.5	32	21	16	12	6 x 1.5	WAL036864	WAL602802
	G 1 A	VS-R 1 -WD	11.8	40	22.5	16	17	8.5 x 1.5	WAL036866	WAL374498
250 (3626)	G 1 1/4 A	VS-R 1 1/4 -WD	18.6	50	22.5	16	22	10 x 1.5	WAL036868	WAL371504
	G 1 1/2 A	VS-R 1 1/2 -WD	24.7	55	22.5	16	24	12 x 2	WAL036870	WAL609394
400 (5801)	G 1 1/4 A	VS-R 1 1/4 -WD/PN 400	28.3	50	28	20	22	15 x 2	WAL372905	
	G 1 1/2 A	VS-R 1 1/2 -WD/PN 400	39.2	55	30	22	24	20 x 2	WAL372989	

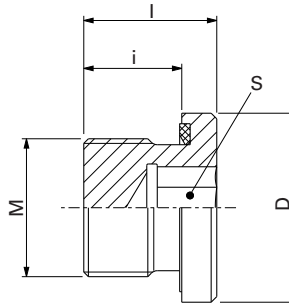
⚠ Caution: The pressure specifications refer to the steel version. For the stainless steel version (1.4571), please refer to the pressure specifications on page B5.

*For FPM (e.g. Viton) see price list / available on request

VS-M ... -WD

VS-M ... -WD-1.4571

- with hexagon socket
- with soft seal made from NBR* (e.g. Perbunan) for steel
- with soft seal made from FKM (e.g. Viton) for stainless steel (1.4571)
- Metric stud type E to DIN EN ISO 9974-2



PN bar (psi)	M	Model	kg/ 100 pc.	D	l	i	S	Blanking ends	Blanking ends
								VS-M ... -WD	Stainless steel (1.4571) VS-M ... -WD-1.4571
								Art. no.	Art. no.
400 (5801)	M 10 x 1	VS-M 10 x 1 -WD	0.6	14	12	8	5	WAL028302	WAL605040
	M 12 x 1.5	VS-M 12 x 1.5 -WD	1.1	17	17	12	6	WAL028303	WAL605042
	M 14 x 1.5	VS-M 14 x 1.5 -WD	1.5	19	17	12	6	WAL028304	WAL374724
	M 16 x 1.5	VS-M 16 x 1.5 -WD	1.8	22	17	12	8	WAL028305	WAL605044
	M 18 x 1.5	VS-M 18 x 1.5 -WD	2.8	24	17	12	8	WAL029844	WAL604532
	M 20 x 1.5	VS-M 20 x 1.5 -WD	3.6	26	19	14	10	WAL028306	WAL609395
	M 22 x 1.5	VS-M 22 x 1.5 -WD	4.6	27	19	14	10	WAL028307	WAL374725
	M 26 x 1.5	VS-M 26 x 1.5 -WD	7.2	32	21	16	12	WAL028308	WAL617296
	M 27 x 2	VS-M 27 x 2 -WD	7.5	32	21	16	12	WAL028309	WAL605284
250 (3626)	M 33 x 2	VS-M 33 x 2 -WD	11.8	40	22.5	16	17	WAL028310	WAL605143
	M 42 x 2	VS-M 42 x 2 -WD	18.6	50	22.5	16	22	WAL028311	WAL617297
400 (5801)	M 48 x 2	VS-M 48 x 2 -WD	24.7	55	22.5	16	24	WAL028312	WAL617298
	M 42 x 2	VS-M 42 x 2 -WD/PN 400	28.3	50	28	20	22	WAL608445	
	M 48 x 2	VS-M 48 x 2 -WD/PN 400	39.2	55	30	22	24	WAL608446	

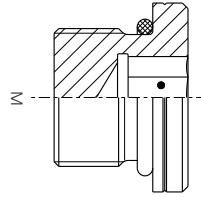
⚠ Caution: The pressure specifications refer to the steel version. For the stainless steel version (1.4571), please refer to the pressure specifications on page B5.
 *For FPM (e.g. Viton) see price list / available on request

J

Blanking ends

VS- ... M - OR (ISO 6149)

- with hexagon socket and O-ring made from NBR* (e.g. Perbunan)
- Metric stud with O-ring to DIN EN ISO 6149-2 and -3



J

										Blanking ends VS- ... M-OR
PN bar (psi)	M	Model	kg/ 100 pc.	D	l	i	S	O-ring	Art. no.	
420 (5801)	M10 x 1.5	VS-M 10 x 1 -OR	0.8	14	13.5	9.5	5	8.1 x 1.6	WAL625557	
	M12 x 1.5	VS-M 12 x 1.5-OR	1.4	17	15.5	11	6	9.3 x 2.2	WAL625558	
630 (9137)	M14 x 1.5	VS-M 14 x 1.5-OR	2.0	19	16	11	6	11.3 x 2.2	WAL625559	
	M16 x 1.5	VS-M 16 x 1.5-OR	2.6	22	17.5	12.5	8	13.3 x 2.2	WAL625560	
	M18 x 1.5	VS-M 18 x 1.5-OR	3.7	24	19	14	8	15.3 x 2.2	WAL625561	
	M22 x 1.5	VS-M 22 x 1.5-OR	5.8	27	20	15	10	17.3 x 2.2	WAL625562	
400 (5801)	M 27 x 2	VS-M 27 x 2 -OR	9.5	32	23.5	18.5	12	19.3 x 2.2	WAL625563	
	M 33 x 2	VS-M 33 x 2 -OR	14.2	41	24.5	18.5	14	23.6 x 2.9	WAL625564	
250 (3626)	M 42 x 2	VS-M 42 x 2 -OR	22.9	50	25	19	17	38.6 x 2.9	WAL625565	
	M 48 x 2	VS-M 48 x 2 -OR	32.8	55	27.5	21.5	17	44.6 x 2.9	WAL625566	

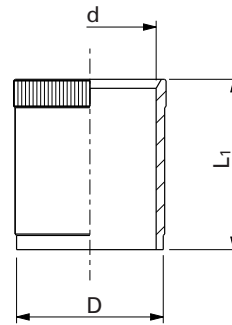
*For FPM (e.g. Viton) see price list / available on request

Tube inserts

EH ...

EH ... -1.4571

· Material: Brass Cu Zn 39 Pb (Ms 58)

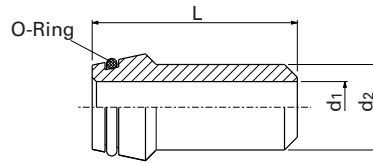


J

							Tube inserts EH ...	Tube inserts Stainless steel (1.4571) EH ... -1.4571
Tube ID	Model	kg/ 100 pc.	D	d	L ₁	Art. no.	Art. no.	
4	EH 4 Ms	0.08	3.8	2.5	17	WAL061879	WAL617300	
5	EH 5 Ms	0.11	4.8	3.5	17	WAL061881	WAL374722	
6	EH 6 Ms	0.13	5.8	4.5	17	WAL033406	WAL608321	
6.5	EH 6,5 Ms	0.14	6.3	5	17	WAL033407		
7	EH 7 Ms	0.17	6.8	5.5	17	WAL033408	WAL061199	
8	EH 8 Ms	0.22	7.8	6.5	17	WAL033409	WAL617301	
8.5	EH 8,5 Ms	0.23	8.3	7	17	WAL029008		
9	EH 9 Ms	0.24	8.8	7.5	17	WAL033410	WAL374723	
10	EH 10 Ms	0.26	9.8	8.5	17	WAL033411	WAL060690	
12	EH 12 Ms	0.36	11.8	10.5	17	WAL033412	WAL617302	
13	EH 13 Ms	0.4	12.8	11.5	18	WAL033413	WAL617303	
15	EH 15 Ms	0.5	14.8	13	18	WAL033415	WAL615587	
16	EH 16 Ms	0.6	15.8	14	18	WAL033416	WAL604537	
18	EH 18 Ms	0.85	17.8	16	22	WAL033417	WAL617304	
19	EH 19 Ms	0.85	18.8	17	20	WAL033418	WAL615586	
20	EH 20 Ms	0.9	19.8	18	20	WAL033419	WAL617305	
24	EH 24 Ms	1.1	23.8	22	20	WAL033420	WAL617306	
25	EH 25 Ms	1.15	24.8	23	20	WAL033800	WAL617307	
31	EH 31 Ms	1.85	30.8	28	23	WAL029011	WAL617308	
38	EH 38 Ms	2.6	37.8	35	24	WAL029013	WAL617310	

SN ...

- with O-ring made from NBR* (e.g. Perbunan)



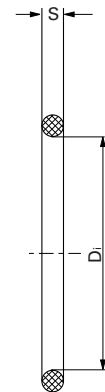
Welding nipple SN...							
Tube outer diameter	PN bar (psi)	Model	kg/100 pc.	d ₁	L	O-ring	Art. no.
8	400 (5801)	SN 8 x 2	1.1	4	31	6 x 1.5	WAL028783
10	315 (4569)	SN 10 x 2	1.5	6	32.5	7.5 x 1.5	WAL028784
12	400 (5801)	SN 12 x 2.5	2.2	7	32.5	9 x 1.5	WAL028785
16	400 (5801)	SN 16 x 3	3.9	10	38.5	12 x 2	WAL028788
20	250 (3626)	SN 20 x 3	6.0	14	44.5	16.3 x 2.4	WAL028790
	400 (5801)	SN 20 x 4	7.4	12			WAL068737
25	250 (3626)	SN 25 x 3	8.7	19	49.5	20.3 x 2.4	WAL028792
	315 (4569)	SN 25 x 4	10.7	17			WAL028793
30	250 (3626)	SN 30 x 4	14.0	22	52	25.3 x 2.4	WAL028795
	315 (4569)	SN 30 x 5	16.5	20			WAL028796
	400 (5801)	SN 30 x 6	18.6	18			WAL604551
38	160 (2321)	SN 38 x 4	20.4	30	56.5	33.3 x 2.4	WAL028797
	250 (3626)	SN 38 x 5	23.5	28			WAL028798
	315 (4569)	SN 38 x 6	27.2	26			WAL028799
	400 (5801)	SN 38 x 7	30.1	24			WAL604552

*For FPM (e.g. Viton) see price list / available on request.
 Do not fit the O-ring until after the welding process.
 For stainless steel (1.4571), see price list / available on request

O-rings

O-rings

BO-ZR	Intermediate flare ring	A	RSWV	Banjo bolt	G
SN	Welding nipple	B	UNF; UN	Thread	H
DK	Taper	C	BO-FK	Complete flared flange	I
VSD	Blanking plug with taper	D	BO-FGK	Complete flared flange counterpart	K
GFV	Straight flange fitting	E	SNV	Straight fitting	L
WFV	Elbow flange fitting	F			

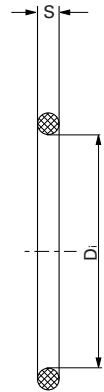


J

		Application			
		Material: NBR (Perbunan®)		Material: FPM (Viton®)	
Di x S	Art. no.	70 NBR	90 NBR	75 FPM	85 FPM
3 x 1	WAL612346	D			
3 x 1	WAL613311				D
4 x 1.5	WAL023488	B			
4 x 1.5	WAL023497				B/C
4.4 x 0.8	WAL374746	A			
4.4 x 0.8	WAL374747				A
4.5 x 1.5	WAL304287	A/C/D/L			
4.5 x 1.5	WAL304265				A/C/D/L
5 x 1	WAL612347	D			
5 x 1	WAL613312				D
6 x 0.8	WAL374737	A			
6 x 0.8	WAL374741				A
6 x 1.5	WAL023489	A/B/C/D/L			
6 x 1.5	WAL023498				A/B/C/D/L
6.5 x 1.5	WAL605948	G			
6.5 x 1.5	WAL606088			G	
7 x 1	WAL612348	D			
7 x 1	WAL613313				D
7.5 x 0.8	WAL374738	A			
7.5 x 0.8	WAL374742				A
7.5 x 1.5	WAL099808	B			
7.5 x 1.5	WAL099803				B
7.65 x 1.63	WAL099668		H		
8.5 x 1.5	WAL304288	A/C/D/G/L			
8.5 x 1.5	WAL304266				A/C/D/G/L
8.92 x 1.83	WAL304315				H
8.92 x 1.83	WAL099669		H		
9 x 1.5	WAL099807	B			
9 x 1.5	WAL099802				B
9.4 x 2.1	WAL606541		H		
9.5 x 0.8	WAL374739	A			
9.5 x 0.8	WAL374743				A
10 x 1.5	WAL023491	A/C/D/L			
10 x 1.5	WAL023500				A/C/D/L
10 x 2	WAL020765	B			
10 x 2	WAL099801				B
10.5 x 1.5	WAL623927	C/D/L			
10.52 x 1.83	WAL613166				H

O-rings

BO-ZR	Intermediate flare ring	A	RSWV	Banjo bolt	G
SN	Welding nipple	B	UNF; UN	Thread	H
DK	Taper	C	BO-FK	Complete flared flange	I
VSD	Blanking plug with taper	D	BO-FGK	Complete flared flange counterpart	K
GFV	Straight flange fitting	E	SNV	Straight fitting	L
WFV	Elbow flange fitting	F			



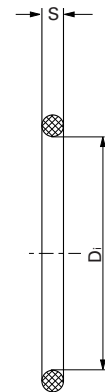
		Application			
		Material: NBR (Perbunan®)		Material: FPM (Viton®)	
Di x S	Art. no.	70 NBR	90 NBR	75 FPM	85 FPM
10.52 x 1.83	WAL099670		H		
11 x 1	WAL374750	A/I/K			
11 x 1	WAL374754				A
11 x 2	WAL023492	G			
11 x 2	WAL606090			G	
11.3 x 2.2	WAL609916		H		
11.4 x 2.1	WAL615165				H
11.4 x 2.1	WAL606542		H		
11.9 x 1.98	WAL609705				H
11.9 x 1.98	WAL099671		H		
12 x 2	WAL020766	A/B/C/D			
12 x 2	WAL099800				A/B/C/D
12.5 x 0.8	WAL374740	A			
12.5 x 0.8	WAL374744				A
12.5 x 1	WAL374756	A/I/K			
12.5 x 1	WAL374757				A/I
13 x 1.5	WAL304289	A			
13 x 1.5	WAL304267				A
13.4 x 2.1	WAL606543		H		
14 x 1.78	WAL023589	F			
14 x 2	WAL021629	A/C/D/L			
14 x 2	WAL099795				A/C/D/L
14.5 x 2	WAL605949	G			
14.5 x 2	WAL606091			G	
15 x 1	WAL304305	A/I/K			
15 x 1	WAL374434				A/I
15 x 2	WAL612804	C/D/L			
15 x 2	WAL609682				C/D
15.3 x 2.2	WAL611603		H		
15.4 x 2.1	WAL606544		H		
16 x 1	WAL261058	A/I/K			
16 x 1	WAL374435				A/I
16 x 1.5	WAL304290	A			
16 x 1.5	WAL304268				A
16 x 2.5	WAL020767	F			
16.3 x 2.4	WAL023605	B			
16.3 x 2.4	WAL099799				B/I
16.36 x 2.2	WAL304318				H

J

O-rings

O-rings

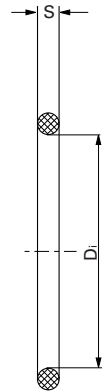
BO-ZR	Intermediate flare ring	A	RSWV	Banjo bolt	G
SN	Welding nipple	B	UNF; UN	Thread	H
DK	Taper	C	BO-FK	Complete flared flange	I
VSD	Blanking plug with taper	D	BO-FGK	Complete flared flange counterpart	K
GFV	Straight flange fitting	E	SNV	Straight fitting	L
WFV	Elbow flange fitting	F			



		Application			
		Material: NBR (Perbunan®)		Material: FPM (Viton®)	
Di x S	Art. no.	70 NBR	90 NBR	75 FPM	85 FPM
16.36 x 2.2	WAL099672		H		
16.5 x 2	WAL605950	G			
16.5 x 2	WAL606092			G	
17 x 1	WAL608804	A			
17.3 x 2.4	WAL261067	A/C/L			
17.3 x 2.4	WAL304269				A/C/D/L
17.4 x 2.1	WAL606597		H		
18 x 1	WAL304306	A/I/K			
18 x 1	WAL304407				A/I
18 x 2.5	WAL099794				E/F
18.64 x 3.53	WAL613769	I			
18.64 x 3.53	WAL614080				I
19.18 x 2.46	WAL304319				H
19.18 x 2.46	WAL099636		H		
19.4 x 2.1	WAL606545		H		
19.5 x 2	WAL605951	G			
19.5 x 2	WAL606093			G	
20 x 1	WAL304307	A/I/K			
20 x 1	WAL304402				A/I
20 x 2	WAL261082	A/C/D/L			
20 x 2	WAL304166				A/C/D/L
20 x 2.5	WAL610519	E/F			
20 x 2.5	WAL612474				F
20.3 x 2.4	WAL023626	B			
20.3 x 2.4	WAL099798				B
22.3 x 2.4	WAL261093	A/C/D/L			
22.3 x 2.4	WAL304270				A/C/D/L
22.7 x 2.8	WAL607383		H		
23 x 1	WAL304310	A/I/K			
23 x 1	WAL304409				A/I
23.47 x 2.95	WAL304320				H
23.47 x 2.95	WAL099637		H		
23.7 x 2.8	WAL612489		H		
24 x 2.5	WAL099793				F
25 x 1	WAL374751	A			
25 x 1	WAL374755				A
25 x 3.5	WAL614081				I
25 x 3.53	WAL611016	I			

O-rings

BO-ZR	Intermediate flare ring	A	RSWV	Banjo bolt	G
SN	Welding nipple	B	UNF; UN	Thread	H
DK	Taper	C	BO-FK	Complete flared flange	I
VSD	Blanking plug with taper	D	BO-FGK	Complete flared flange counterpart	K
GFV	Straight flange fitting	E	SNV	Straight fitting	L
WFV	Elbow flange fitting	F			



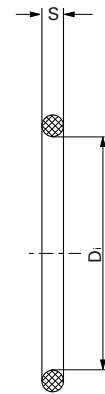
		Application			
		Material: NBR (Perbunan®)		Material: FPM (Viton®)	
Di x S	Art. no.	70 NBR	90 NBR	75 FPM	85 FPM
25.3 x 2.4	WAL099806	B/F			
25.3 x 2.4	WAL099797				B/I
26 x 1.5	WAL605952	G			
26 x 1.5	WAL606094			G	
26 x 2	WAL261108	A/B/C/D/L			
26 x 2	WAL304167				A/C/D/L
26 x 2.5	WAL610499	E/F			
26 x 2.5	WAL612930				F
27 x 1	WAL608805	A			
27.3 x 2.4	WAL304293	A/C/D/L			
27.3 x 2.4	WAL304271				C/D/L
28 x 1	WAL304273	I/K			
28 x 1	WAL612832				I
29.74 x 2.95	WAL304322				H
29.74 x 2.95	WAL099639		H		
29.828 x 2.62	WAL614724				I
30 x 1	WAL374748	A			
30 x 1	WAL374752				A
31 x 2	WAL250258	G			
31 x 2	WAL606095			G	
32 x 1.78	WAL261131	A/I/K			
32 x 1.78	WAL374745				A/I
32 x 2.5	WAL020775	A/C/D/L			
32 x 2.5	WAL304168				A/C/D/L
32.92 x 3.53	WAL610404	I			
32.92 x 3.53	WAL614082				I
33 x 2.5	WAL610500	E/F			
33.3 x 2.4	WAL023683	B			
33.3 x 2.4	WAL099796				B
34.5 x 2.65	WAL614725				I
35 x 2.5	WAL261138	A/C/D/L			
35 x 2.5	WAL304272				C/D/L
37 x 1	WAL374749	A/I/K			
37 x 1	WAL374753				A/I
37.46 x 3	WAL304323				H
37.46 x 3	WAL099640		H		
37.69 x 3.53	WAL610405	E/F/I			
37.69 x 3.53	WAL614083				I

J

O-rings

O-rings

BO-ZR	Intermediate flare ring	A	RSWV	Banjo bolt	G
SN	Welding nipple	B	UNF; UN	Thread	H
DK	Taper	C	BO-FK	Complete flared flange	I
VSD	Blanking plug with taper	D	BO-FGK	Complete flared flange counterpart	K
GFV	Straight flange fitting	E	SNV	Straight fitting	L
WFV	Elbow flange fitting	F			



		Application			
		Material: NBR (Perbunan®)		Material: FPM (Viton®)	
Di x S	Art. no.	70 NBR	90 NBR	75 FPM	85 FPM
37.82 x 1.78	WAL612739	I/K			
37.82 x 1.78	WAL614076				I
38 x 2.5	WAL099804	A/C/D/L			
38 x 2.5	WAL099791				C/D/L
40 x 2	WAL261157	G			
40 x 2	WAL606096			G	
43.69 x 3	WAL099641		H		
44.17 x 1.78	WAL611929	I/K			
44.17 x 1.78	WAL614077				I/K
46 x 2	WAL605953	G			
46 x 2	WAL606097			G	
47.22 x 3.53	WAL611425	I			
47.22 x 3.53	WAL614084				I
50.52 x 1.78	WAL612147	I/K			
50.52 x 1.78	WAL614078				I
53.67 x 1.78	WAL614079				I/K
53.7 x 1.78	WAL612146	I/K			
56.52 x 5.33	WAL614138				I
56.74 x 3.53	WAL612145	I			
56.74 x 3.53	WAL614085				I
56.82 x 2.62	WAL614386	I/K			
64.77 x 2.62	WAL614385	I/K			
64.77 x 2.62	WAL614424				I
69.22 x 5.33	WAL614139				I
69.44 x 3.53	WAL614389	I			
69.44 x 3.53	WAL614419				I
69.52 x 2.62	WAL614384	I/K			
69.52 x 2.62	WAL614423				I/K
82.22 x 2.62	WAL614387	I/K			
82.22 x 2.62	WAL614426				I/K
85.32 x 3.53	WAL614390	I			
85.32 x 3.53	WAL614420				I
88.27 x 5.33	WAL614140				I
98.02 x 3.53	WAL614391	I			
98.02 x 3.53	WAL614421				I
110.49 x 5.33	WAL614141				I
110.72 x 3.53	WAL614392	I			
110.72 x 3.53	WAL614422				I



K

Machines and tools

Machines and tools - overview	3
Cutting-ring assembly using the M-R7 assembly machine	5
Cutting-ring assembly using the MHH-R manual pre-assembly device	7
Cutting-ring assembly using the manual pre-assembly adapter	8
M-WF385 <i>plus</i> WalformPlus machine	9
WalformPlus tools for steel	10
WalformPlus tools for stainless steel (1.4571)	11
WalformPlus-M tools for steel and stainless steel (1.4571)	12
M-WF385X/BO WalformPlus / flaring machine	13
MHH-BO manual flaring device	15
Tube bending tools	16
Replacement tools for machine type MEG-R	17
Replacement tools for MEG-BO2	18
Waltech sample case	19



Special machine assembly

Fast and reliable assembly is crucial for tube-fitting systems. Yet the results may vary due to human error during the assembly process.

To ensure superior performance, the best solution is to automate the cutting-ring assembly and tube reshaping process. For this reason, we have developed tailor-made assembly machines to optimize the assembly of Waltech systems, based on our many years of experience in the field and our holistic approach to in-house value creation, from design to production.

In-house machine design and production

Based on decades of experience, we develop and produce our assembly machines at our factory in Lohmar, Germany. Our specialized machine design and production department monitors this process throughout - from the design and prototyping phase all the way to testing and optimization.

Over the years, we have incorporated extensive customer feedback into our design process, from large OEM customers that require maximum reliability and low cycle times, to small distributors looking for a high degree of flexibility and a wide range of options.

K

Today, we manufacture up to 80 machines each year and offer many options for the servicing and maintenance of older machines. We pride ourselves on manufacturing all our tools in-house, which guarantees stable machine performance and a long service life. In addition, we also offer a large number of machines for rent, to support customer projects and to provide replacements in the event of maintenance.



Machines

M-WF385Xplus



Tools

Clamping jaws for WalformPlus



Reshaping adapter with internal support



M-R7



Backing plate



Complete GE adapter



K

M-WF385X/BO



Clamping jaws for flared tube fittings



Flare fitting and mandrel with mechanically resistant coating



Machines and tools

Cutting-ring assembly using the M-R7 assembly machine

The innovative M-R7 cutting-ring final assembly machine

The new M-R7 machine is designed for the controlled final assembly of our Walpro and Walring systems.

It offers optimized performance and a number of other benefits, including a short tightening rotation and a reduction in the amount of force required during final assembly.



Model	Art. no.
M-R7	WAL627627



K

Key features and benefits:

- Suitable for processing 180° bent tubes with an outer diameter of $R = 1.5$ (previously an outer diameter of $R = 6.4 \times$)
- For final assembly of Waltech Walpro and Walring fittings with diameters between 6 and 42 mm
- The production process is efficient and cost-effective
- The process starts automatically when the tube makes contact with the tool
- The machine can process tightly bent and short straight tubes
- Modern RFID technology is used for tool recognition and adjustment of the machining values
- Automatic pressure point detection and rotation control ensure robust, leakage-free and safe tube fittings
- Optimized error detection thanks to preprogrammed tolerance values based on statistical process control
- The assembly parameters can be exported to external devices via a USB port for integration into quality control systems
- Day counter with reset function and series counter
- Intuitive and user-friendly touch panel (7")
- Existing Waltech tools can be retrofitted with RFID technology
- Compact and lightweight tabletop device

M-R7 technical data:

- Weight: 105 kg
- Dimensions (W x H x D): 770 x 225 x 650 mm
- Standard voltage: 400 V AC
- 3-phase
- Frequency: 50 Hz
- Circuit protection: 16 A
- Plug: CEE 16
- Power consumption: 1.8 kW

Model	Art. no.
Adapter 1.5 m 5G2.5 400 V 32 A/11 kW to 16 A	WAL626329
Adapter for 32 A networks	



- Plastic housing
- Input: 1.5 m H07RN-F 5G2.5 with CEE plug (400 V/32 A/5-pole)
- Output: 1 x CEE socket (400 V/16 A/5-pole) with hinged cover
- Circuit protection: 1 circuit breaker, C 16 A, 3-pole, resettable, 400 V/32 A/max. 11 kW

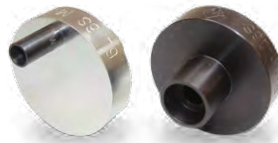
GE adapter ...

Adapters for controlled final assembly of Walpro / Walpro-X fittings



WR adapter ...

Studs for controlled final assembly of Walring fittings



BACKING PLATE M-R7 ...

Backing plate for Walpro / Walpro-X / Walring



Series	Tube outer diameter	Walpro GE adapter		Walring W-R adapter		Backing plate for M-R7	
		Model	Art. no.	Model	Art. no.	Model	Art. no.
L	6	GE adapter 6L M-R7	WAL627874	W-R adapter 6L M-R7	WAL627800	Backing plate 6L/S M-R7 KPL	WAL627894
	8	GE adapter 8L M-R7	WAL627875	W-R adapter 8L M-R7	WAL627801	Backing plate 8L/S M-R7 KPL	WAL627895
	10	GE adapter 10L M-R7	WAL627876	W-R adapter 10L M-R7	WAL627802	Backing plate 10L/S M-R7 KPL	WAL627896
	12	GE adapter 12L M-R7	WAL627877	W-R adapter 12L M-R7	WAL627803	Backing plate 12L/S M-R7 KPL	WAL627897
	15	GE adapter 15L M-R7	WAL627878	W-R adapter 15L M-R7	WAL627804	Backing plate 15L M-R7 KPL	WAL627899
	18	GE adapter 18L M-R7	WAL627879	W-R adapter 18L M-R7	WAL627805	Backing plate 18L M-R7 KPL	WAL627901
	22	GE adapter 22L M-R7	WAL627880	W-R adapter 22L M-R7	WAL627806	Backing plate 22L M-R7 KPL	WAL627903
	28	GE adapter 28L M-R7	WAL627881	W-R adapter 28L M-R7	WAL627807	Backing plate 28L M-R7 KPL	WAL627905
	35	GE adapter 35L M-R7	WAL627882	W-R adapter 35L M-R7	WAL627808	Backing plate 35L M-R7 KPL	WAL627907
	42	GE adapter 42L M-R7	WAL627883	W-R adapter 42L M-R7	WAL627809	Backing plate 42L M-R7 KPL	WAL627909
S	6	GE adapter 6S M-R7	WAL627884	W-R adapter 6S M-R7	WAL627810	Backing plate 6L/S M-R7 KPL	WAL627894
	8	GE adapter 8S M-R7	WAL627885	W-R adapter 8S M-R7	WAL627811	Backing plate 8L/S M-R7 KPL	WAL627895
	10	GE adapter 10S M-R7	WAL627886	W-R adapter 10S M-R7	WAL627812	Backing plate 10L/S M-R7 KPL	WAL627896
	12	GE adapter 12S M-R7	WAL627887	W-R adapter 12S M-R7	WAL627813	Backing plate 12L/S M-R7 KPL	WAL627897
	14	GE adapter 14S M-R7	WAL627888	-	-	Backing plate 14S M-R7 KPL	WAL627898
	16	GE adapter 16S M-R7	WAL627889	W-R adapter 16S M-R7	WAL627814	Backing plate 16S M-R7 KPL	WAL627900
	20	GE adapter 20S M-R7	WAL627890	W-R adapter 20S M-R7	WAL627815	Backing plate 20S M-R7 KPL	WAL627902
	25	GE adapter 25S M-R7	WAL627891	W-R adapter 25S M-R7	WAL627816	Backing plate 25S M-R7 KPL	WAL627904
	30	GE adapter 30S M-R7	WAL627892	W-R adapter 30S M-R7	WAL627817	Backing plate 30S M-R7 KPL	WAL627906
	38	GE adapter 38S M-R7	WAL627893	W-R adapter 38S M-R7	WAL627818	Backing plate 38S M-R7 KPL	WAL627908

Cutting-ring assembly using the MHH-R manual pre-assembly device

MHH-R

Manual pre-assembly device

Model	Art. no.
MHH-R	WAL624423



Key features and benefits:

- A user-friendly and cost-effective alternative to the M-R7 machine
- The device offers a high degree of flexibility and requires no electricity
- It is easy to transport and especially suitable for use on construction sites
- Suitable for all Waltech cutting-ring systems, thanks to the easy tool change function

MHH-R technical data:	
Weight:	29 kg
Dimensions (W x H x D):	400 x 170 x 500 mm

K

PRE-ASS. AD. P- ...

Pre-assembly adapter for Walpro / Walpro-X



PRE-ASS. AD. W- ...

Pre-assembly adapter for Walring



BACKING PLATE ...

Backing plate for Walpro / Walpro-X / Walring



Series	Tube outer diameter	Walpro pre-assembly adapter		Walring pre-assembly adapter		Backing plate	
		Model	Art. no.	Model	Art. no.	Model	Art. no.
L	6	PRE-ASSEMBLY ADAPTER P-6 L BRN	WAL028382	PRE-ASS. AD. W-6 L-GE BRN	WAL624550	BACKING PLATE 6 L/S	WAL608363
	8	PRE-ASS. AD. P-8 L BRN	WAL028383	PRE-ASS. AD. W-8 L-GE BRN	WAL624551	BACKING PLATE 8 L/S	WAL608364
	10	PRE-ASS. AD. P-10 L BRN	WAL028384	PRE-ASS. AD. W-10 L-GE BRN	WAL624552	BACKING PLATE 10 L/S	WAL608365
	12	PRE-ASS. AD. P-12 L BRN	WAL028385	PRE-ASS. AD. W-12 L-GE BRN	WAL624553	BACKING PLATE 12 L/S	WAL608366
	15	PRE-ASS. AD. P-15 L BRN	WAL028386	PRE-ASS. AD. W-15 L-GE BRN	WAL624554	BACKING PLATE 15 L	WAL608367
	18	PRE-ASS. AD. P-18 L BRN	WAL028387	PRE-ASS. AD. W-18 L-GE BRN	WAL624555	BACKING PLATE 18 L	WAL608368
	22	PRE-ASS. AD. P-22 L BRN	WAL028388	PRE-ASS. AD. W-22 L-GE BRN	WAL624556	BACKING PLATE 22 L	WAL608369
	28	PRE-ASS. AD. P-28 L BRN	WAL028389	PRE-ASS. AD. W-28 L-GE BRN	WAL624557	BACKING PLATE 28 L	WAL608370
	35	PRE-ASS. AD. P-35 L BRN	WAL028390	PRE-ASS. AD. W-35 L-GE BRN	WAL624558	BACKING PLATE 35 L	WAL608371
	42	PRE-ASS. AD. P-42 L BRN	WAL028391	PRE-ASS. AD. W-42 L-GE BRN	WAL624559	BACKING PLATE 42 L	WAL608372
S	6	PRE-ASS. AD. P-6 S BRN	WAL028392	PRE-ASS. AD. W-6 S-GE BRN	WAL624560	BACKING PLATE 6 L/S	WAL608363
	8	PRE-ASS. AD. P-8 S BRN	WAL028393	PRE-ASS. AD. W-8 S-GE BRN	WAL624561	BACKING PLATE 8 L/S	WAL608364
	10	PRE-ASS. AD. P-10 S BRN	WAL028394	PRE-ASS. AD. W-10 S-GE BRN	WAL624562	BACKING PLATE 10 L/S	WAL608365
	12	PRE-ASS. AD. P-12 S BRN	WAL028395	PRE-ASS. AD. W-12 S-GE BRN	WAL624563	BACKING PLATE 12 L/S	WAL608366
	14	PRE-ASS. AD. P-14 S BRN	WAL028396			BACKING PLATE 14 S	WAL608373
	16	PRE-ASS. AD. P-16 S BRN	WAL028397	PRE-ASS. AD. W-16 S-GE BRN	WAL624564	BACKING PLATE 16 S	WAL608374
	20	PRE-ASS. AD. P-20 S BRN	WAL028398	PRE-ASS. AD. W-20 S-GE BRN	WAL624565	BACKING PLATE 20 S	WAL608375
	25	PRE-ASS. AD. P-25 S BRN	WAL028399	PRE-ASS. AD. W-25 S-GE BRN	WAL624566	BACKING PLATE 25 S	WAL608376
	30	PRE-ASS. AD. P-30 S BRN	WAL028400	PRE-ASS. AD. W-30 S-GE BRN	WAL624567	BACKING PLATE 30 S	WAL608377
	38	PRE-ASS. AD. P-38 S BRN	WAL028401	PRE-ASS. AD. W-38 S-GE BRN	WAL624568	BACKING PLATE 38 S	WAL608378

The pre-assembly tools listed above can also be used with the MEG-R6 assembly machine (predecessor model of the M-R7). Tools for controlled final assembly using the MEG-R6 machine can be found at the end of this chapter.

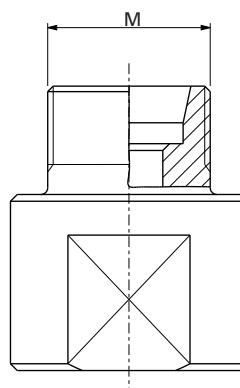
Cutting-ring assembly using the manual pre-assembly adapter

S-VK ... / P-VK ...

- Manual pre-assembly adapter for Walpro / Walpro-X

W-VK ...

- Manual pre-assembly adapter for Walring



Series	Tube outer diameter	M	kg/100 pc.	Walpro Manual pre-assembly adapter		Walring Manual pre-assembly adapter	
				Model	Art. no.	Model	Art. no.
LL	4	M 8 x 1	2.7	S-VK 4 LL	WAL029250		
	6	M 10 x 1	2.8	S-VK 6 LL	WAL029252		
	8	M 12 x 1	3.9	S-VK 8 LL	WAL029253		
L	6	M 12 x 1.5	4.4	P-VK 6 L	WAL029254	W-VK 6 L	WAL624967
	8	M 14 x 1.5	6.4	P-VK 8 L	WAL029255	W-VK 8 L	WAL624969
	10	M 16 x 1.5	6.6	P-VK 10 L	WAL029256	W-VK 10 L	WAL624971
	12	M 18 x 1.5	8.1	P-VK 12 L	WAL029257	W-VK 12 L	WAL624973
	15	M 22 x 1.5	18.0	P-VK 15 L	WAL029258	W-VK 15 L	WAL624974
	18	M 26 x 1.5	21.0	P-VK 18 L	WAL029259	W-VK 18 L	WAL624976
	22	M 30 x 2	30.0	P-VK 22 L	WAL029260	W-VK 22 L	WAL624978
	28	M 36 x 2	44.3	P-VK 28 L	WAL029261	W-VK 28 L	WAL624980
	35	M 45 x 2	63.5	P-VK 35 L	WAL029262	W-VK 35 L	WAL624982
	42	M 52 x 2	91.5	P-VK 42 L	WAL029263	W-VK 42 L	WAL624984
S	6	M 14 x 1.5	6.5	P-VK 6 S	WAL029264	W-VK 6 S	WAL624966
	8	M 16 x 1.5	6.7	P-VK 8 S	WAL029265	W-VK 8 S	WAL624968
	10	M 18 x 1.5	8.2	P-VK 10 S	WAL029266	W-VK 10 S	WAL624970
	12	M 20 x 1.5	18.0	P-VK 12 S	WAL029267	W-VK 12 S	WAL624972
	14	M 22 x 1.5	18.2	P-VK 14 S	WAL029268		
	16	M 24 x 1.5	18.7	P-VK 16 S	WAL029269	W-VK 16 S	WAL624975
	20	M 30 x 2	29.0	P-VK 20 S	WAL029270	W-VK 20 S	WAL624977
	25	M 36 x 2	43.0	P-VK 25 S	WAL029271	W-VK 25 S	WAL624979
	30	M 42 x 2	62.3	P-VK 30 S	WAL029272	W-VK 30 S	WAL624981
	38	M 52 x 2	94.0	P-VK 38 S	WAL029273	W-VK 38 S	WAL624983

K

Machines and tools

Walform tube fittings

The reliable M-WF385Xplus

Walform machine

- The M-WF385Xplus machine has been designed for the most demanding applications and can be used for tube reshaping with the WalformPlus system (for both steel and stainless steel).



Model	Art. no.
M-WF385Xplus	WAL626385

Key features and benefits:

- For final assembly of Waltech WalformPlus fittings with diameters between 6 and 42 mm
- Fast cycle times ensure efficient and cost-effective production
- Time-saving and easy tool change process
- The compact dimensions and reduced weight simplify transport to the point of use
- The rugged design reduces downtime and ensures a long service life of the machine
- The ability to control the shaping pressure reduces energy consumption and prolongs service life
- More silent operation for reduced noise levels during production
- Color-coded tools help to prevent errors in the reshaping process

M-WF385Xplus technical data:

Weight:	280 kg
Dimensions (W x H x D):	850 x 275 x 990 mm
Standard voltage:	400 V AC*
Frequency:	50 Hz
Circuit protection:	16 A
Power consumption:	2.8 kW

***230 V for part number WAL626353; 440 V and 480 V available on request**

K

Accessories and spare parts:

Model	Art. no.
MW1 assembly trolley (complete)	WAL626257
Assembly trolley for Walform machine with drawer cabinet and removal tool holder	

Model	Art. no.
MW1 basic version	WAL626258
Assembly trolley for Walform machine without drawer cabinet or removal tool holder	

Model	Art. no.
MW1 removal tool holder	WAL626261
Removal tool holder	

Model	Art. no.
MW1 drawer cabinet	WAL626259
Drawer cabinet, can be positioned as required	

Model	Art. no.
Foot switch	WAL609949
Foot switch for Walform machine	



Model	Art. no.
Adapter 1.5 m 5G2.5 400 V 32 A/11 kW to 16 A	WAL626329
Adapter for 32 A networks	



Clamping jaws for WalformPlus and WalformPlus-SR steel fittings (E235 and E355)									
Wall thickness (mm)									
Tube outer diameter (mm)	1	1.5	2	2.5	3	3.5	4	5	6
6	WAL625294	WAL615765							
8	WAL625295		WAL615766						
10	WAL625296		WAL615767						
12	WAL625297		WAL615768						
15	WAL625298		WAL615769						
16 A		WAL625299		WAL615770			WAL615770		
18		WAL625300		WAL615771					
20					WAL615772* (WAL625814*)				
22		WAL625301		WAL615773					
25					WAL615774* (WAL625816*)				
28					WAL615775				
30			WAL625302		WAL615776			WAL615776* (WAL625489*)	
35			WAL625303		WAL615777			WAL615777	
38					WAL615778			WAL615778* (WAL625818*)	
42			WAL625304			WAL615779			

*Special clamping jaws must be used with tube material E355. See the part number in brackets.



For tube sizes where standard clamping jaws can also be used with tube material E355, please refer to the notes in chapter C.

Reshaping adapter for WalformPlus and WalformPlus-SR steel fittings (E235 and E355)									
Wall thickness (mm)									
Tube outer diameter (mm)	1	1.5	2	2.5	3	3.5	4	5	6
6	WAL625272	WAL615820							
8	WAL625273	WAL615821	WAL615822	WAL625325					
10	WAL625274	WAL615823	WAL615824	WAL615825	WAL615826				
12	WAL625275	WAL615827	WAL615830	WAL615831	WAL615832				
15	WAL625276	WAL615833	WAL615836	WAL615839					
16 A		WAL625277	WAL615842	WAL615845	WAL615848		WAL615849		
18		WAL625278	WAL615850	WAL615853	WAL615856				
20			WAL615857	WAL615860	WAL615863		WAL615864		
22		WAL625279	WAL615865	WAL615995	WAL615868	WAL615869			
25			WAL615870	WAL615873	WAL615876	WAL615877	WAL615878	WAL615994	
28			WAL615879	WAL615882	WAL615885		WAL615888		
30			WAL625280	WAL615889	WAL615892			WAL615895	WAL615896
35			WAL625281	WAL624009	WAL615897		WAL615900	WAL615901	
38					WAL615902		WAL615905		WAL615906
42			WAL625282		WAL615908	WAL615911	WAL615914		

- Reshaping without internal support
- Reshaping with internal support
- Reshaping for WalformPlus-SR (for an overview of the available support rings, see chapter D)

Model	Art. no.	Model	Art. no.	Model	Art. no.	Model	Art. no.
Removal tool	WAL617090	Clamping jaws	See table	Reshaping with internal support	See table	Reshaping adapter without internal support	See table



Machines and tools

Walform tube fittings

Clamping jaws for WalformPlus and Walform-WD-SR stainless steel fittings (1.4571)									
Wall thickness (mm)									
Tube outer diameter (mm)	1*	1.5	2	2.5	3	3.5	4	5	6
6	WAL610897	WAL615765							
8	WAL612561		WAL615766						
10	WAL612562	WAL615767							
12	WAL612563	WAL615768							
15		WAL615769							
16 A			WAL615770						
18			WAL615771						
20			WAL615772						
22			WAL615773						
25			WAL615774				WAL615774		
28			WAL615775						
30			WAL615776					WAL615776	
35				WAL615777				WAL615777	
38				WAL615778				WAL615778	
42				WAL615779					

*WF-WD-SR clamping jaw

Reshaping adapter for WalformPlus and Walform-WD-SR stainless steel fittings (1.4571)									
Wall thickness (mm)									
Tube outer diameter (mm)	1*	1.5	2	2.5	3	3.5	4	5	6
6	WAL612284	WAL615917							
8	WAL612903		WAL615918						
10	WAL612904	WAL615919	WAL625036						
12	WAL612560	WAL615920	WAL615921	WAL625123					
15		WAL615922	WAL615925						
16 A			WAL615928	WAL615931	WAL615934				
18			WAL615935	WAL615938	WAL615941				
20			WAL615942	WAL615945	WAL615948				
22			WAL615949	WAL615952	WAL615955				
25			WAL624816	WAL615956	WAL615959		WAL615960		
28			WAL615961	WAL615964	WAL615967				
30				WAL615970	WAL615973		WAL615976	WAL615977	
35					WAL615978		WAL615981	WAL615982	
38					WAL615983		WAL615986	WAL615989	
42					WAL615991				

*Removal tool WAL611632 must be used with the WF-WD-SR reshaping adapter.

- Reshaping without internal support
- Reshaping with internal support
- Reshaping for Walform-WD-SR (WF-WD support rings available on request)

Model	Art. no.	Model	Art. no.	Model	Art. no.	Model	Art. no.
Removal tool	WAL617090	Clamping jaws	See table	Reshaping with internal support	See table	Reshaping adapter without internal support	See table



Clamping jaws for WalformPlus-M steel (E235, E355) and stainless steel (1.4571) fittings										
Wall thickness (mm)										
Tube outer diameter (mm)	1	1.5	2	2.5	3	3.5	4	5	6	
8			WAL615766							
10			WAL615767							
12			WAL615768							
15			WAL615769							
16 A			WAL615770							
18			WAL615771							
20			WAL615772							
22			WAL615773							
25			WAL615774							
28			WAL615775							
30						WAL615776				
35					WAL615777			WAL615777		
38					WAL615778			WAL615778		
42					WAL615779			WAL615779		

Model	Art. no.
Removal tool	WAL617090



Model	Art. no.
Clamping jaws	See table



K

Reshaping adapter for WalformPlus-M steel fittings (E235, E355)										
Wall thickness (mm)										
Tube outer diameter (mm)	1	1.5	2	2.5	3	3.5	4	5	6	
8			WAL625706	WAL625707						
10			WAL625708	WAL625709						
12			WAL624536		WAL625710					
15			WAL625711							
16 A			WAL623406							
18			WAL625712							
20			WAL625713							
22			WAL625714							
25			WAL625715							
28			WAL625716							
30						WAL625717				
35								WAL625718		
38								WAL625719		
42								WAL625720		

Model	Art. no.
Reshaping adapter without internal support	See table



Reshaping adapter for WalformPlus-M stainless steel fittings (1.4571)										
Wall thickness (mm)										
Tube outer diameter (mm)	1	1.5	2	2.5	3	3.5	4	5	6	
8				WAL625721						
10				WAL624548						
12			WAL623405	WAL625722						
15			WAL625723							
16 A			WAL623406							
18			WAL625724							
20			WAL623407							
22			WAL625725							
25			WAL623408							
28			WAL625726							
30			WAL623409							
35				WAL626536				WAL625727		
38				WAL623411				WAL623429		
42				WAL626533				WAL625720		

Model	Art. no.
Reshaping with internal support	See table



Reshaping without internal support
Reshaping with internal support

Machines and tools

37° flared tube fittings

M-WF385X/BO

Walform / flaring machine (head can be selected)

Model	Art. no.
M-WF385X/BO without head	WAL623487



Key features and benefits:

- For flaring steel and stainless steel tubes with a diameter of 16 to 60.3 mm
- Can be easily transported inside the workshop thanks to the compact and lightweight machine design
- For the potentiometer settings, see chapter C
- Also suitable for Walform reshaping if used in conjunction with the WAL612351 reshaping head

M-WF385Xplus technical data:

Weight:	251 kg
Dimensions (W x H x D):	850 x 275 x 990 mm
Standard voltage:	400 V AC*
Frequency:	50 Hz
Circuit protection:	16 A
Power consumption:	2.8 kW

*Voltages of 230 V, 440 V and 480 V are available on request

K

Accessories and spare parts:

Model	Art. no.
MW1 assembly trolley (complete)	WAL626257
Assembly trolley for Walform machine with drawer cabinet and removal tool holder	

Model	Art. no.
MW1 basic version	WAL626258
Assembly trolley for Walform machine without drawer cabinet or removal tool holder	

Model	Art. no.
MW1 removal tool holder	WAL626261
Removal tool holder	

Model	Art. no.
MW1 drawer cabinet	WAL626259
Drawer cabinet, can be positioned as required	



Model	Art. no.
Foot switch	WAL609949
Foot switch for Walform machine	

Model	Art. no.
Walform head	WAL612351
Reshaping head for M-WF385Xplus	

Model	Art. no.
Flaring head	WAL612350
Flaring head for M-WF385X/BO	

Model	Art. no.
Adapter 1.5 m 5G2.5 400 V 32 A/11 kW to 16 A	WAL626329
Adapter for 32 A networks	



M-WF385X/B0 clamping jaws for flared flanges made from steel (E235 and E355)												
Tube outer diameter (mm)	Wall thickness (mm)											
	2	2.5	3	3.2	3.5	3.6	4	4.5	5	5.6	6	8
16 A		WAL611740										
20		WAL611741			WAL611741		WAL611741					
22	WAL613773											
25		WAL611382					WAL611382					
28			WAL613775									
30							WAL611743		WAL611743			
34								WAL611383				
35			WAL613777						WAL613777			
38							WAL611384		WAL611384		WAL611384	
42			WAL612148				WAL612148					
48.3				WAL613771								
50 Hz		WAL611386							WAL611386		WAL611386	
60			WAL612149						WAL612149		WAL612149	WAL612149
60.3						WAL612149				WAL612149		WAL612149

*Additional sizes available on request



M-WF385X/B0 flaring mandrel adapter for steel (E235 and E355)												
Tube outer diameter (mm)	Wall thickness (mm)											
	2	2.5	3	3.2	3.5	3.6	4	4.5	5	5.6	6	8
16 A	WAL611748	WAL611749	WAL611750									
20	WAL611751	WAL611752	WAL611753		WAL611754		WAL614086					
22	WAL614087											
25		WAL611755	WAL611399				WAL611757					
28			WAL614088									
30							WAL611758		WAL611759			
34								WAL611400				
35			WAL614089						WAL614090			
38							WAL611401		WAL611762		WAL611763	
42			WAL612150				WAL614091					
48.3				WAL614092								
50 Hz		WAL611765	WAL612151						WAL611766		WAL611403	WAL611768
60			WAL612152						WAL614802		WAL612153	WAL614093
60.3						WAL612152				WAL614096		WAL614093

*Additional sizes available on request

Model	Art. no.
Clamping jaws	See table

Model	Art. no.
Flaring mandrel adapter	See table

Model	Art. no.
Flaring mandrel	WAL613205



Model	Art. no.
Removal tool	WAL611632
Flaring mandrel adapter	

Model	Art. no.
Removal tool	WAL613783
Flaring mandrel	

37° flared tube fittings

MHH-BO

Manual flaring device

Model	Art. no.
MHH-BO	WAL608250



Key features and benefits:

- For flaring steel and stainless steel tubes with a diameter of 6 to 42 mm
- A user-friendly and cost-effective alternative to the M-WF385X/BO machine
- The device offers a high degree of flexibility and requires no electricity
- It is easy to transport and especially suitable for use on construction sites

MHH-BO technical data:

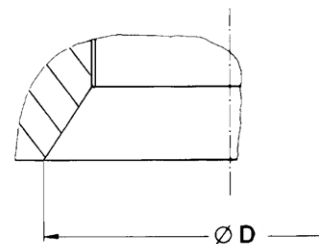
Weight:	45 kg
Dimensions (W x H x D):	500 x 285 x 700 mm

Clamping jaws for MHH-BO for 37° flared tube fittings in steel (E235, E355) and stainless steel (1.4571)										
Tube outer diameter (mm)	Wall thickness (mm)									
	1	1.5	2	2.5	3	3.5	4	5	6	D (mm)
6	WAL608500									11.6
8	WAL608501									13.9
10	WAL608502									15.7
12	WAL608503									18.0
14	WAL608504									22.5
15	WAL608505									23.0
16 A	WAL608506									25.2
18	WAL608507									26.8
20	WAL608508									29.6
22	WAL608509									29.9
25	WAL608510									35.7
28	WAL608511									36.0
30	WAL608512									42.4
35	WAL608513									46.0
38	WAL608514									WAL608407 52.2 / 55.4
42	WAL608515									52.5

Model	Art. no.
Clamping jaws for MHH-BO	See table



Clamping jaws for 37° flared tube fittings to SAE J 514 in steel (E235, E355) and stainless steel (1.4571)			
Tube outer diameter	Model	Art. no.	D (mm)
6	BO-SBM 6-SAE	WAL608516	10.7
8	BO-SBM 8-SAE	WAL608517	11.6
10	BO-SBM 10-SAE	WAL608518	13.7
12	BO-SBM 12-SAE	WAL608519	17.4
14	BO-SBM 14-SAE	WAL608408	21.0
15	BO-SBM 15-SAE	WAL608409	21.0
16 A	BO-SBM 16-SAE	WAL608520	22.0
18	BO-SBM 18-SAE	WAL608410	26.0
20	BO-SBM 20-SAE	WAL608521	26.6
25	BO-SBM 25-SAE	WAL608522	32.7
30	BO-SBM 30-SAE	WAL608411	41.5
32	BO-SBM 32-SAE	WAL608523	40.8
38	BO-SBM 38-SAE	WAL608524	48.6



Model	Art. no.
Flaring mandrel	WAL604854
Standard mandrel for flaring steel tubes (for use with the MHH-BO device)	







Model	Art. no.
Removal tool	WAL611633
Flaring mandrel	



Model	Art. no.
Flaring mandrel	WAL605100
Mandrel with mechanically resistant coating for flaring steel and stainless steel tubes (for use with the MHH-BO device)	

Tube bending tool

- For tubes with an outer diameter of 6-22 mm

	Model	Art. no.
	Tube bending tool For tubes with an outer diameter of 6-12 mm 4 replaceable bending rollers	WAL033012
	Tube bending tool For tubes with an outer diameter of 10-18 mm 4 replaceable bending rollers	WAL033020
	Tube bending tool For tubes with an outer diameter of 10-18 mm 4 replaceable bending rollers and 7 clamping jaws 10L/S, 12L/S, 15L, 16S, 18L	WAL063805
	Tube bending tool For tubes with an outer diameter of 6-22 mm 8 replaceable bending rollers; transport case included	WAL615706



Spare parts for previous machine models

Spare tools for MEG-R...(this machine has been discontinued)


			Walpro GE adapter	Walpro GE adapter Replacement adapter		Backing plate
Series	Tube outer diameter	Model	Art. no.	Art. no.	Model	Art. no.
L	6	PRE-ASS. AD.-3 P-6 L-GE VANADIS4E A4SI	WAL615319	WAL611262	BACKING PLATE 6 L/S	WAL608363
	8	PRE-ASS. AD.-3 P-8 L-GE VANADIS4E A4SI	WAL615320	WAL611263	BACKING PLATE 8 L/S	WAL608364
	10	PRE-ASS. AD.-3 P-10 L-GE VANADIS4E A4SI	WAL615321	WAL611264	BACKING PLATE 10 L/S	WAL608365
	12	PRE-ASS. AD.-3 P-12 L-GE VANADIS4E A4SI	WAL615322	WAL611265	BACKING PLATE 12 L/S	WAL608366
	15	PRE-ASS. AD.-3 P-15 L-GE VANADIS4E A4SI	WAL615323	WAL611266	BACKING PLATE 15 L	WAL608367
	18	PRE-ASS. AD.-3 P-18 L-GE VANADIS4E A4SI	WAL615324	WAL611267	BACKING PLATE 18 L	WAL608368
	22	PRE-ASS. AD.-3 P-22 L-GE VANADIS4E A4SI	WAL615325	WAL611268	BACKING PLATE 22 L	WAL608369
	28	PRE-ASS. AD.-3 P-28 L-GE VANADIS4E A4SI	WAL615326	WAL611269	BACKING PLATE 28 L	WAL608370
	35	PRE-ASS. AD.-3 P-35 L-GE VANADIS4E A4SI	WAL615327	WAL611270	BACKING PLATE 35 L	WAL608371
	42	PRE-ASS. AD.-3 P-42 L-GE VANADIS4E A4SI	WAL615328	WAL611271	BACKING PLATE 42 L	WAL608372
S	6	PRE-ASS. AD.-3 P-6 S-GE VANADIS4E A4SI	WAL615329	WAL611272	BACKING PLATE 6 L/S	WAL608363
	8	PRE-ASS. AD.-3 P-8 S-GE VANADIS4E A4SI	WAL615330	WAL611273	BACKING PLATE 8 L/S	WAL608364
	10	PRE-ASS. AD.-3 P-10 S-GE VANADIS4E A4SI	WAL615331	WAL611274	BACKING PLATE 10 L/S	WAL608365
	12	PRE-ASS. AD.-3 P-12 S-GE VANADIS4E A4SI	WAL615332	WAL611275	BACKING PLATE 12 L/S	WAL608366
	14	PRE-ASS. AD.-3 P-14 S-GE VANADIS4E A4SI	WAL615333	WAL611276	BACKING PLATE 14 S	WAL608373
	16 A	PRE-ASS. AD.-3 P-16 S-GE VANADIS4E A4SI	WAL615334	WAL611277	BACKING PLATE 16 S	WAL608374
	20	PRE-ASS. AD.-3 P-20 S-GE VANADIS4E A4SI	WAL615335	WAL611278	BACKING PLATE 20 S	WAL608375
	25	PRE-ASS. AD.-3 P-25 S-GE H	WAL610657	-	BACKING PLATE 25 S	WAL608376
30	PRE-ASS. AD.-3 P-30 S-GE H	WAL610658	-	BACKING PLATE 30 S	WAL608377	
38	PRE-ASS. AD.-3 P-38 S-GE H	WAL610659	-	BACKING PLATE 38 S	WAL608378	

K

Spare tools for MEG-BO2 (this machine has been discontinued)

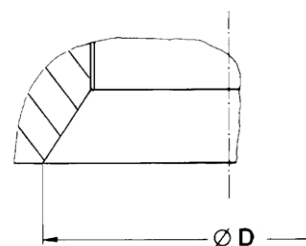
Clamping jaws for MEG-BO2 for 37° flared tube fittings in steel (E235, E355) and stainless steel 1.4571										
Wall thickness (mm)										
Tube outer diameter (mm)	1	1.5	2	2.5	3	3.5	4	5	6	D (mm)
6	WAL608379									11.6
8	WAL608380									13.9
10	WAL608381									15.7
12	WAL608382									18.0
14	WAL608383									22.5
15	WAL608384									23.0
16 A	WAL608385									25.2
18	WAL608386									26.8
20	WAL608387									29.6
22	WAL608388									29.9
25	WAL608389									35.7
28	WAL608390									36.0
30	WAL608391									42.4
35	WAL608392									46.0
38	WAL608393									WAL608412 52.2 / 55.4
42	WAL608394									52.5

Model	Art. no.
Clamping jaws for MEG-BO2	See table



K

Clamping jaws for 37° flared tube fittings to SAE J 514 in steel (E235, E355) and stainless steel (1.4571)			
Tube outer diameter	Model	Art. no.	D (mm)
6	BO-SBM 6-SAE COMPLETE	WAL608395	10.7
8	BO-SBM 8-SAE COMPLETE	WAL608396	11.6
10	BO-SBM 10-SAE COMPLETE	WAL608397	13.7
12	BO-SBM 12-SAE COMPLETE	WAL608398	17.4
14	BO-SBM 14-SAE COMPLETE	WAL608413	21.0
15	BO-SBM 15-SAE COMPLETE	WAL608414	21.0
16 A	BO-SBM 16-SAE COMPLETE	WAL608399	22.0
18	BO-SBM 18-SAE COMPLETE	WAL608415	26.0
20	BO-SBM 20-SAE COMPLETE	WAL608400	26.6
25	BO-SBM 25-SAE COMPLETE	WAL608401	32.7
30	BO-SBM 30-SAE COMPLETE	WAL608416	41.5
32	BO-SBM 32-SAE COMPLETE	WAL608402	40.8
38	BO-SBM 38-SAE COMPLETE	WAL608403	48.6



Model	Art. no.
Flaring mandrel	WAL604854
Standard mandrel for flaring steel tubes (for use with the MEG-BO2 device)	



Model	Art. no.
Flaring mandrel	WAL605100
Mandrel with mechanically resistant coating for flaring steel and stainless steel tubes (for use with the MEG-BO2 device)	



Model	Art. no.
Removal tool	WAL611633
Flaring mandrel	

Machines and tools

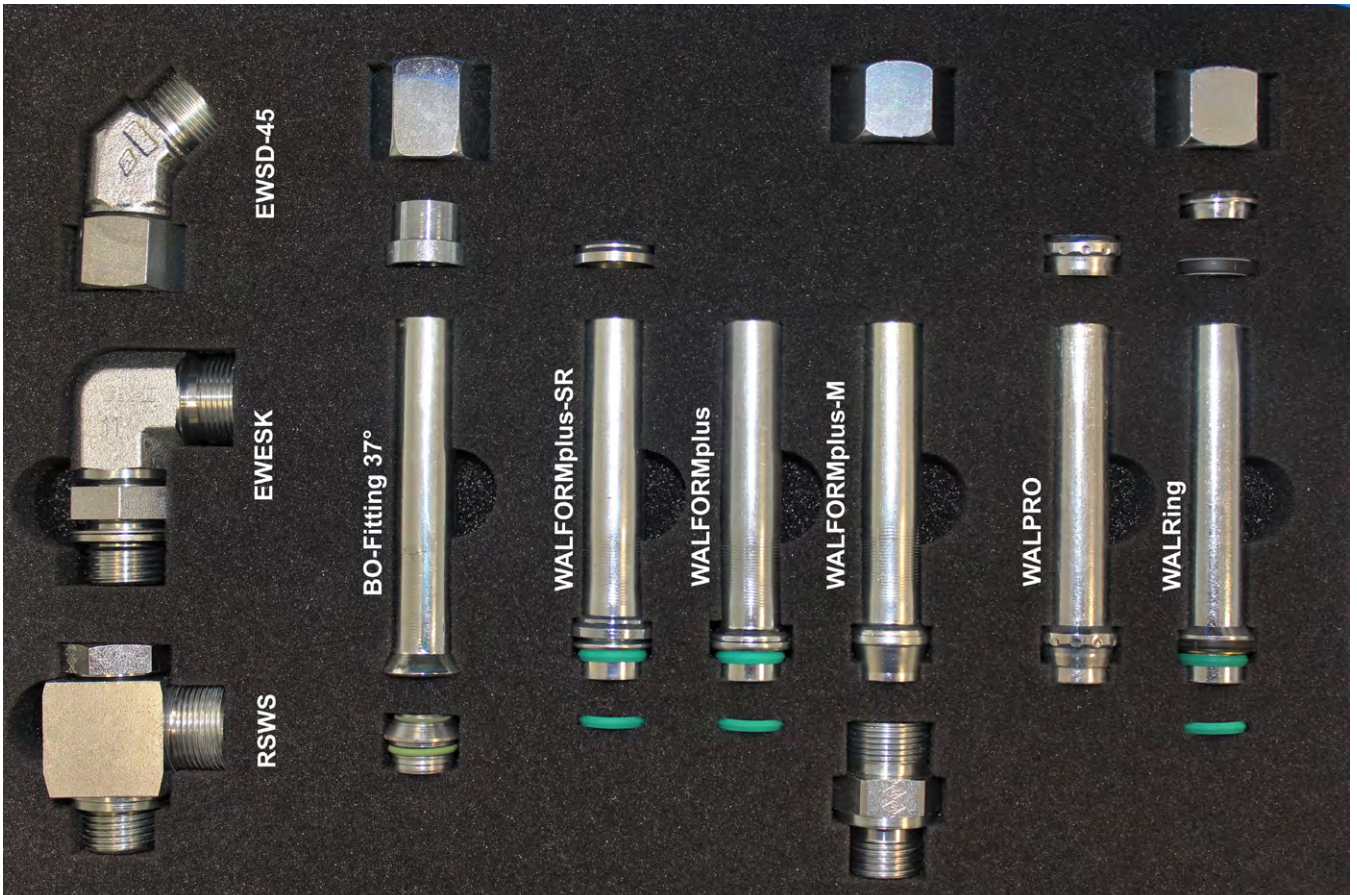
Waltech sample case

Waltech sample case

Model	Art. no.
WAL sample case	WAL627400

- For easy presentation of the Danfoss Waltech systems
- Includes samples of Walpro, Walring and WalformPlus fittings

K



Go to www.danfoss.com for further product information.

Danfoss Power Solutions (US) Company

2800 East 13th Street
Ames, IA 50010, USA
Phone: +1 515 239 6000

Danfoss Power Solutions ApS

Nordborgvej 81
DK-6430 Nordborg, Denmark
Phone: +45 7488 2222

Danfoss Power Solutions II GmbH

Hauptstrasse 150
53797 Lohmar, Germany
Phone: +49 2246 1009101

**Danfoss Power Solutions Trading
(Shanghai) Co. Ltd.**

Building #22, No. 1000 Jin Hai Rd
Jin Qiao, Pudong New District
Shanghai, China 201206
Phone: +86 21 3418 5200