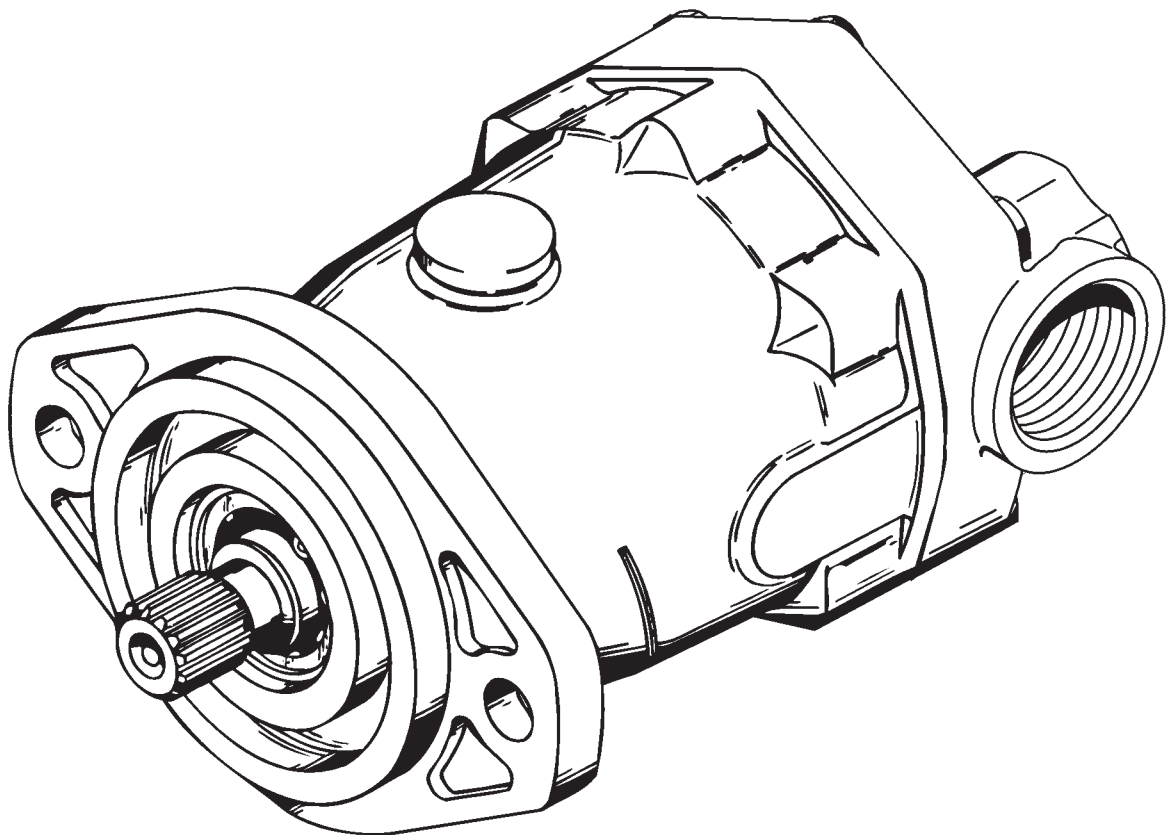


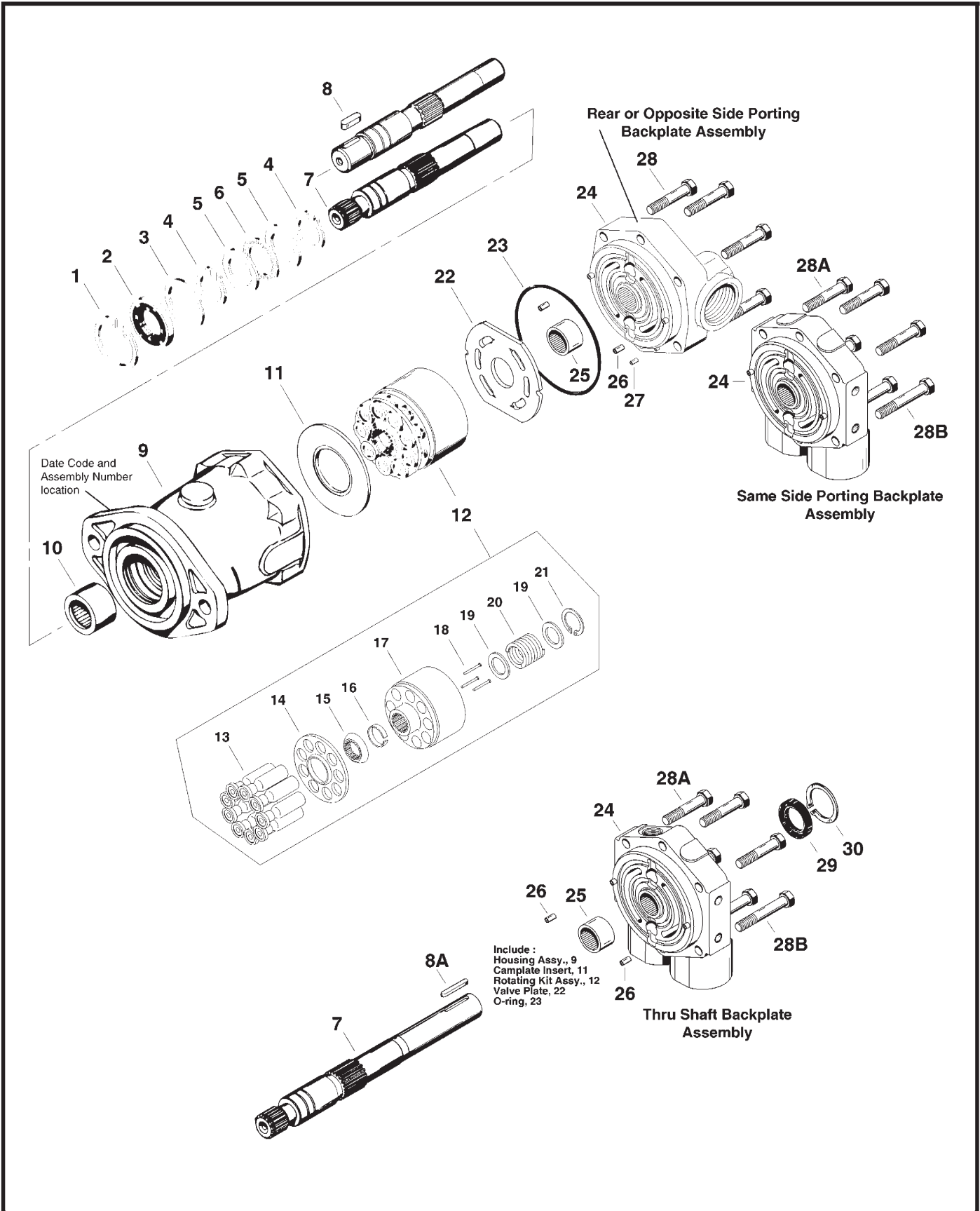


Hydraulic Motor

**Model 74318 and 74348 Piston Motors
Fixed Displacement, Valve Plate Design**



Parts Drawing



The parts below are used in the 74318-DAA, -DAB, -DAC, -DAH and 74348- DAB.
Other 74318 or 74348 assemblies may vary with special requirements.

Item No.	Description	Quantity	Part Numbers
+ 1	Retaining Ring	1	16077-32
+ 2	Shaft Seal	1	16253-18
3	Washer	1	16048-319
+ 4	Retaining Ring	2	16078-18
5	Thrust Race	2	74308-100
6	Thrust Bearing	1	74308-101
7	Drive Shaft	1	◆
	13 T, 22.2 mm [.875 in. Dia.] Shaft		73410-201
	Keyed, 22.2 mm [.875 in. Dia.] Shaft		73410-211
	13 T, 22.2 mm [.875 in. Dia.] Thru Sht.		74440-202
8	Key	1	24500-619
8 A	Key (Used on thru shaft only)	1	16246-430
9	Housing Assembly (Includes item #10)	1	◆
	Not bored with case drain port		73418-317
	Case drain port in boss of housing		73418-319
10	Needle Bearing	1	16238-11816
11	Camplate Insert	1	73400-605
12	Rotating Kit Assembly (Includes item #13 thru #21)	1	70402-649
13	Piston Assembly	9	N/S
14	Spider	1	N/S
15	Spider Pivot	1	N/S
16	Pin Keeper	1	N/S
17	Piston Block	1	N/S
18	Pins	3	N/S
19	Washer	2	N/S
20	Spring	1	N/S
21	Retaining Ring	1	N/S
22	Valve Plate	1	74308-50
+ 23	O - ring	1	16015-55
24	Backplate Assembly (Includes item #25 thru #27)	1	◆
	Rear Porting, 1-5/16 -12, with case drain		74300-405
	Rear Porting, 1-5/16 -12, without case drain		74300-409
	Side Porting, 1-5/16 -12, without case drain		74300-407
	Same Side Porting, 1-5/16 -12, w/out case drain		74348-402
	Same Side Porting, Thru Shaft, w/ case drain		74348-404
25	Needle Bearing	1	70421-150
26	Roll Pin	2	16026-608
27	Roll Pin	1	16026-408

Item No.	Description	Quantity	Part Numbers
2 8	Cap Screws	6	16032-516
2 8 A	Cap Screws (Use with same side porting)	3	16032-516
2 8 B	Cap Screws (Use with same side porting)	3	16032-524
+ + 2 9	Shaft Seal (In thru shaft backplate)	1	16253-14
+ + 3 0	Retaining Ring (In thru shaft backplate)	1	16077-22
•	Seal Repair Kit	1	74418-904
•	Seal Repair Kit (Used w/ thru shaft backplate)	1	74448-900

- ◆ Refer to Specific Assembly Number.
- + Parts included in both seal repair kits.
- + + Parts included in thru shaft seal repair kit.
- N/S Non/Serviceable

Specific Assembly Parts

Item	Description	Qty	Assembly Number				
			74318-DAV	74318-DAV	74318-DAV	74318-DAV	74348-DAV
7	Drive Shaft	1	73410-201	73410-201	73410-201	73410-201	74440-202
9	Housing Assembly	1	73418-319	73418-319	73418-319	73418-317	73418-317
2 4	Backplate Assembly	1	74348-402	74300-407	74300-409	74300-405	74348-404
•	Seal Repair Kit	1	74418-904	74418-904	74418-904	74418-904	74448-900

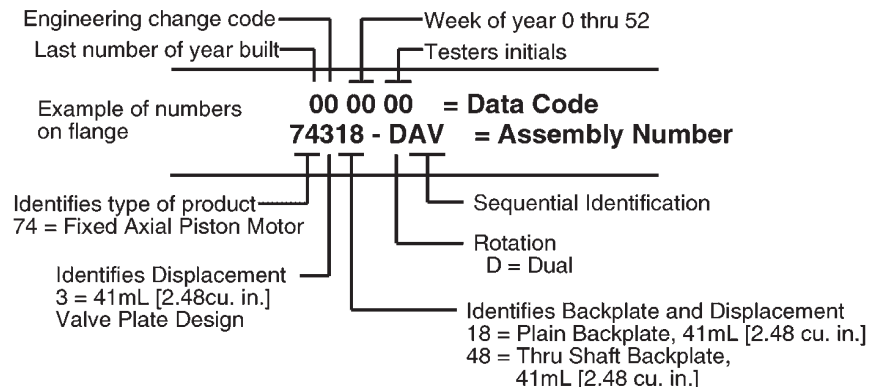
Note, refer to catalog number 11-101 for detailed information on assemblies.

Each order must include the following information:

1. Product Number and/or Part Number
2. Date Code
3. Part Name
4. Quantity

Identification Numbers

Stamped on each units mounting flange.



Products we offer:

- Cartridge valves
- DCV directional control valves
- Electric converters
- Electric machines
- Electric motors
- Gear motors
- Gear pumps
- Hydraulic integrated circuits (HICs)
- Hydrostatic motors
- Hydrostatic pumps
- Orbital motors
- PLUS+1® controllers
- PLUS+1® displays
- PLUS+1® joysticks and pedals
- PLUS+1® operator interfaces
- PLUS+1® sensors
- PLUS+1® software
- PLUS+1® software services, support and training
- Position controls and sensors
- PVG proportional valves
- Steering components and systems
- Telematics

Danfoss Power Solutions is a global manufacturer and supplier of high-quality hydraulic and electric components. We specialize in providing state-of-the-art technology and solutions that excel in the harsh operating conditions of the mobile off-highway market as well as the marine sector. Building on our extensive applications expertise, we work closely with you to ensure exceptional performance for a broad range of applications. We help you and other customers around the world speed up system development, reduce costs and bring vehicles and vessels to market faster.

Danfoss Power Solutions – your strongest partner in mobile hydraulics and mobile electrification.

Go to www.danfoss.com for further product information.

We offer you expert worldwide support for ensuring the best possible solutions for outstanding performance. And with an extensive network of Global Service Partners, we also provide you with comprehensive global service for all of our components.

Local address:

Hydro-Gear

www.hydro-gear.com

Daikin-Sauer-Danfoss

www.daikin-sauer-danfoss.com

**Danfoss
Power Solutions (US) Company**
2800 East 13th Street
Ames, IA 50010, USA
Phone: +1 515 239 6000

**Danfoss
Power Solutions GmbH & Co. OHG**
Krokamp 35
D-24539 Neumünster, Germany
Phone: +49 4321 871 0

**Danfoss
Power Solutions ApS**
Nordborgvej 81
DK-6430 Nordborg, Denmark
Phone: +45 7488 2222

**Danfoss
Power Solutions Trading
(Shanghai) Co., Ltd.**
Building #22, No. 1000 Jin Hai Rd
Jin Qiao, Pudong New District
Shanghai, China 201206
Phone: +86 21 2080 6201

Danfoss can accept no responsibility for possible errors in catalogues, brochures and other printed material. Danfoss reserves the right to alter its products without notice. This also applies to products already on order provided that such alterations can be made without subsequent changes being necessary in specifications already agreed. All trademarks in this material are property of the respective companies. Danfoss and the Danfoss logotype are trademarks of Danfoss A/S. All rights reserved.