

Datasheet

# DHRC

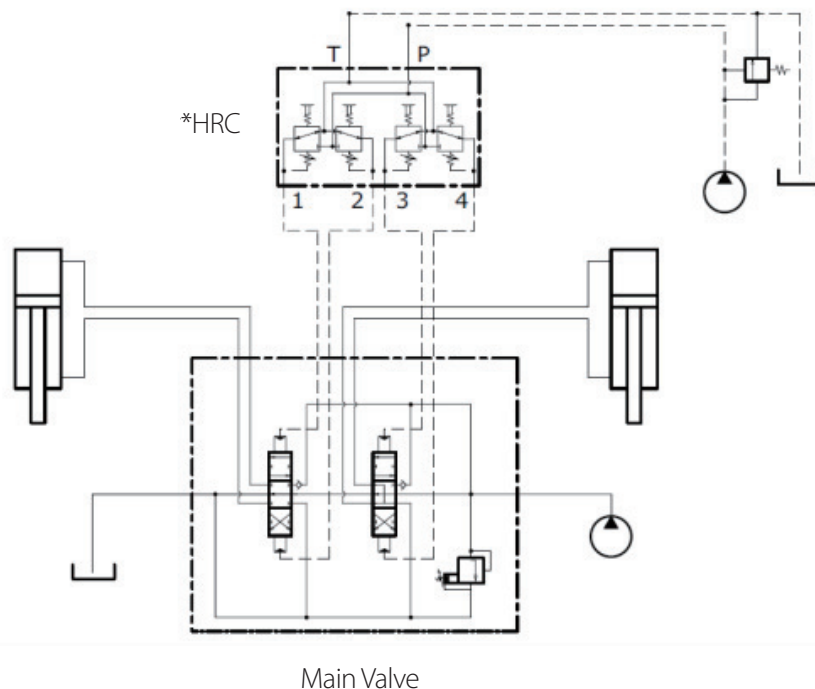
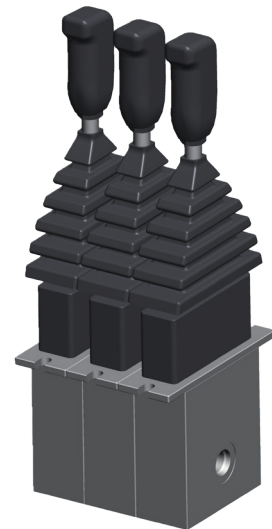
## Hydraulic Pilot Sectional valve

The Danfoss Hydraulic Remote Control a state-of-the-art modular hydraulic control system that allows versatile and ergonomic machine operation.

Operators can tailor their experience with multiple levers that can be seamlessly paired with a variety of bases and response curves, providing complete comfort and control customization. Each lever can be configured with different bar options, allowing for true personalization based on individual preferences and operational requirements.

Designed to withstand extreme and harsh conditions commonly encountered in the mobile machine environment, the Hydraulic Remote Controls base is engineered for dependability and reliability. Its resilience ensures consistent performance, even in the toughest operating conditions, while maintaining a close-to-flat hysteresis response.

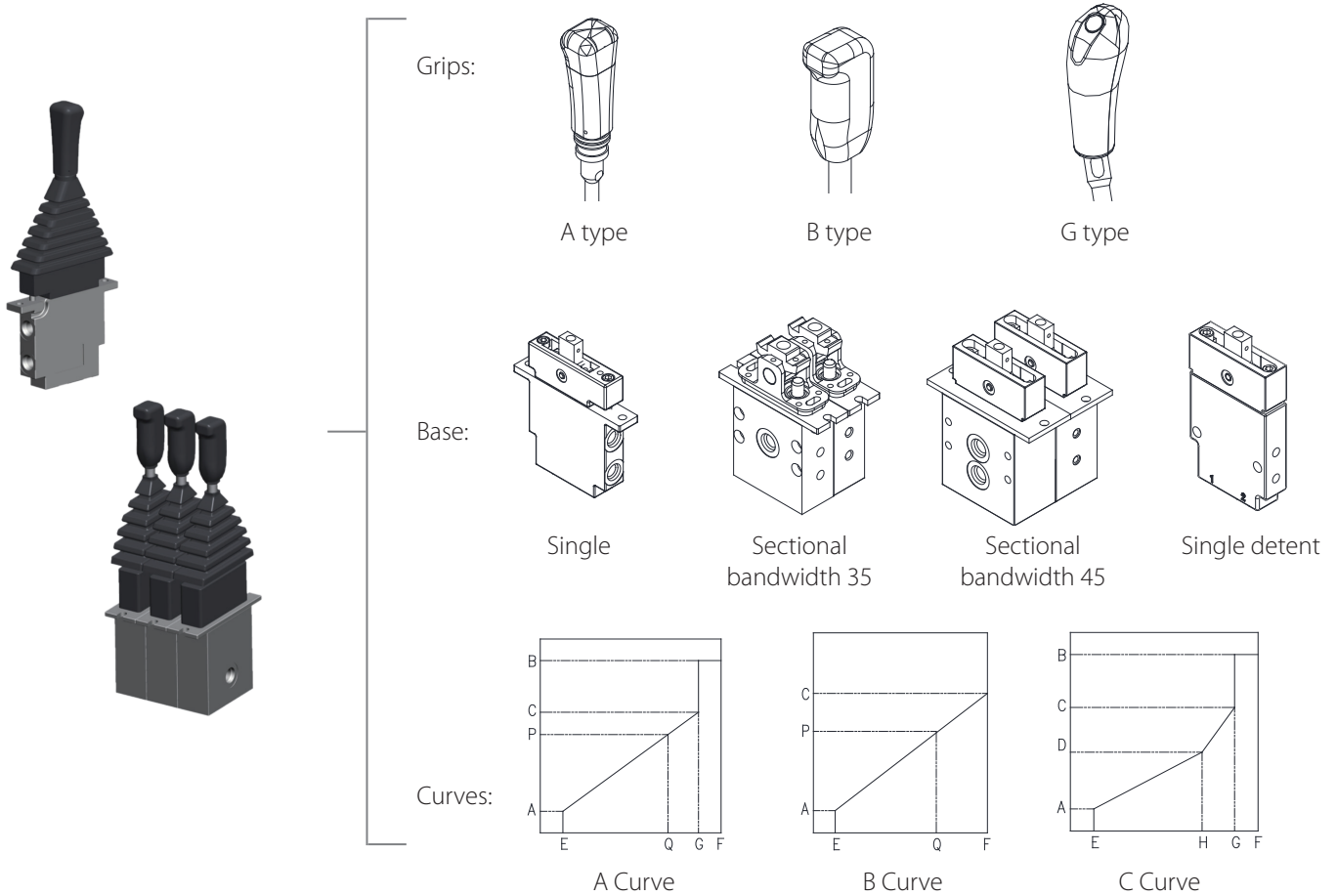
The future of control systems with Danfoss Hydraulic Remote Controls – where modularity, durability, and customization converge.



1 \*Schematic exemplification can be either one of the DHRC products.

# DHRC D General specification

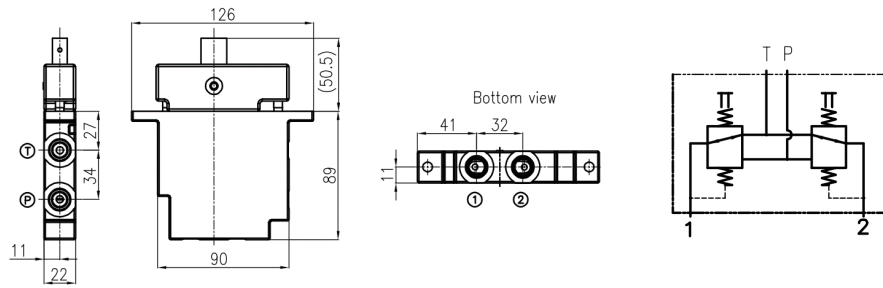
You have flexible options for grips, levers, boots, bodies, connectors, output curves and so on. Below shows some example. Please find detail information on catalogue.



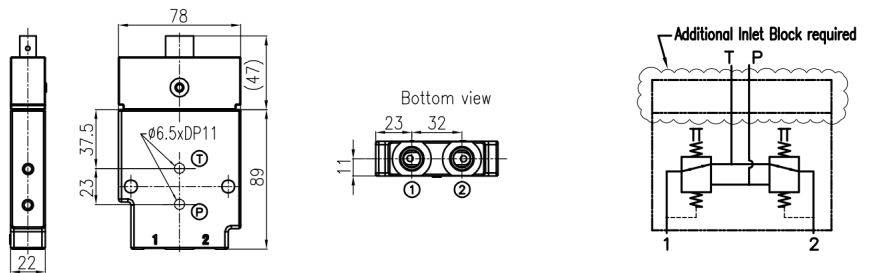
General Specifications	DHRC D
Max. inlet pressure (bar)	60
Max. back pressure (bar)	3
Rated flow (LPM)	10 each
Output pressure (bar)	0 ~ 30
Fluid type	Mineral oil
Fluid temperature	-20°C to 90°C
Ambien temperature	-40°C to 60°C
Viscosity	12 ~ 400 mm <sup>2</sup> /s
Max. Level of fluid contamination	18/16/13 – ISO 4406

# DHRCD Body options dimensions

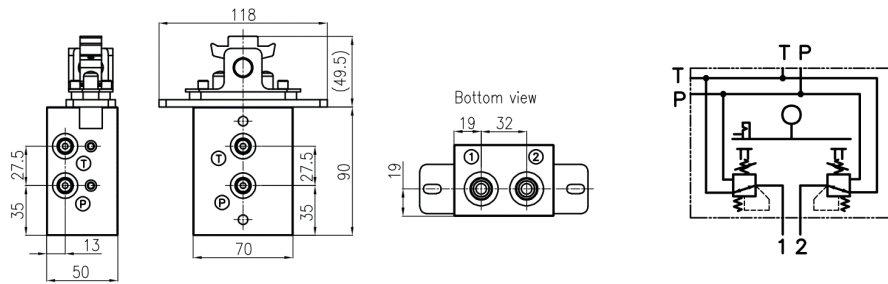
Single standard



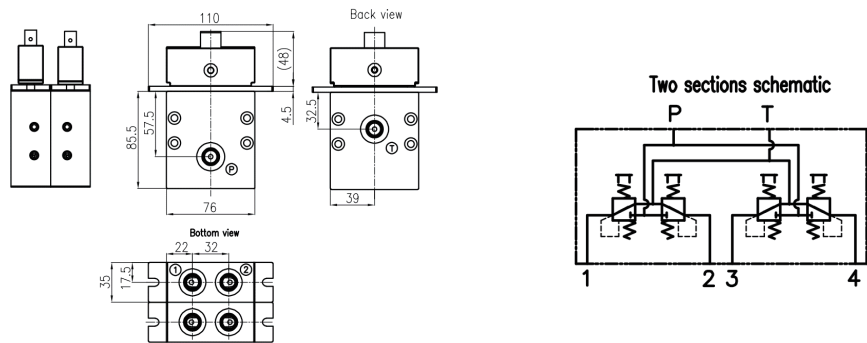
Single with extra inlet block



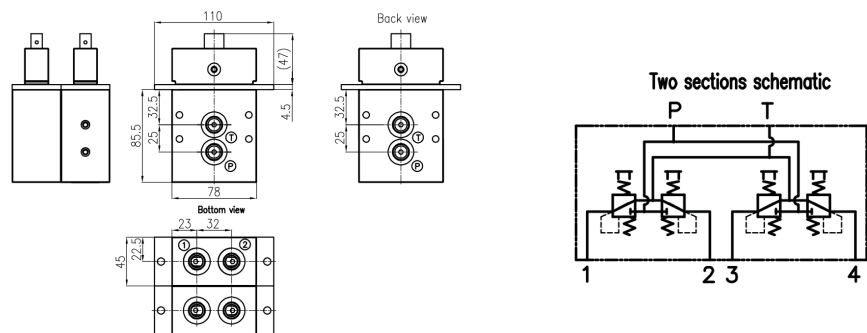
Single detent



Sectional type bandwidth 35[1.378]

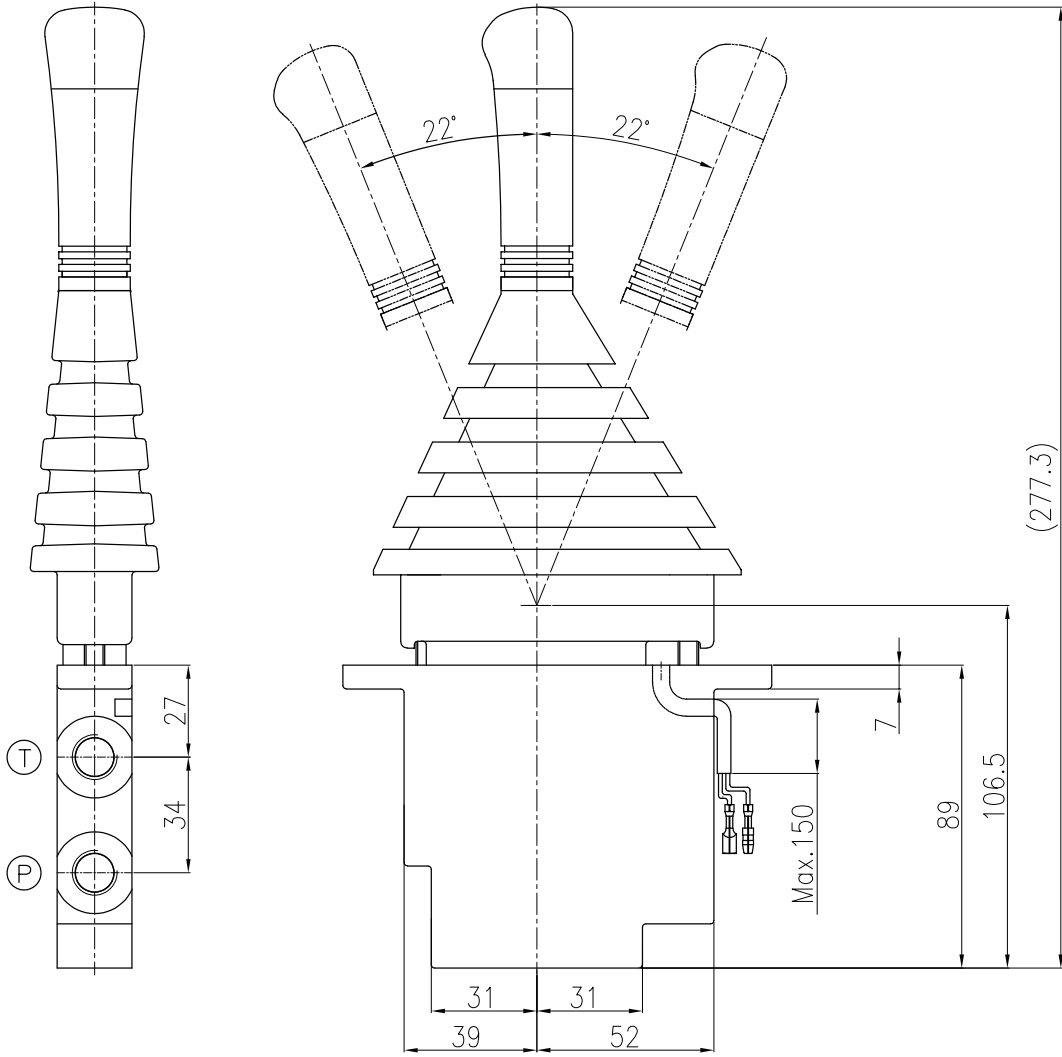
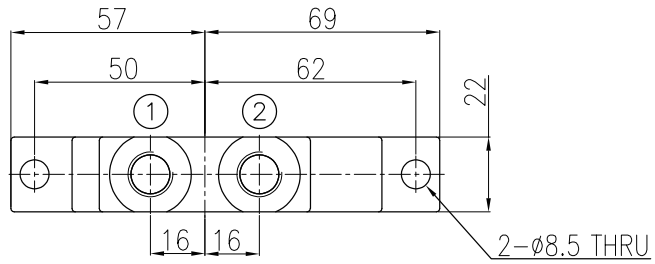
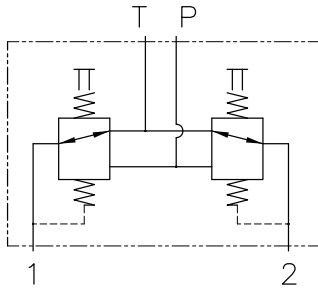


Sectional type bandwidth 35[1.771]

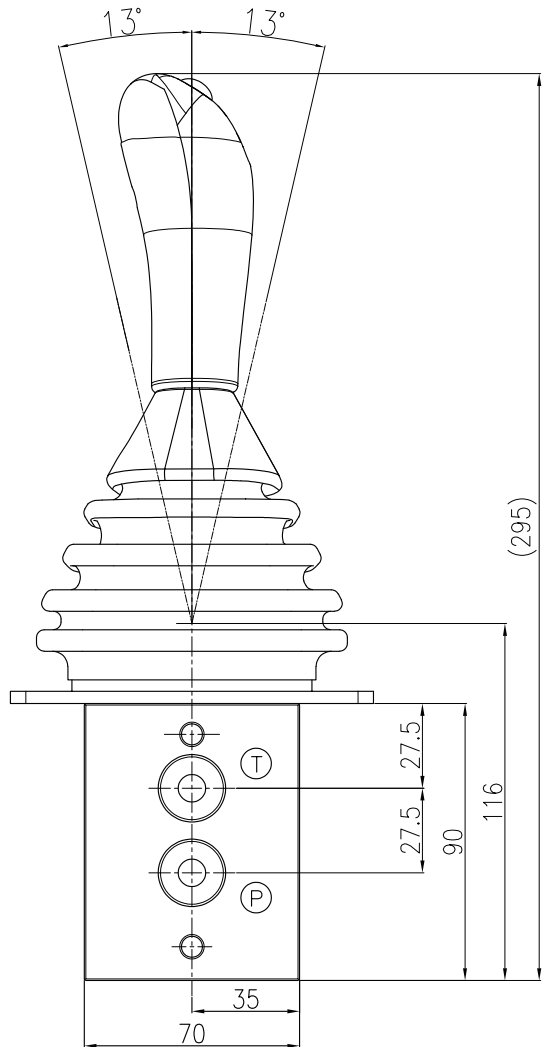
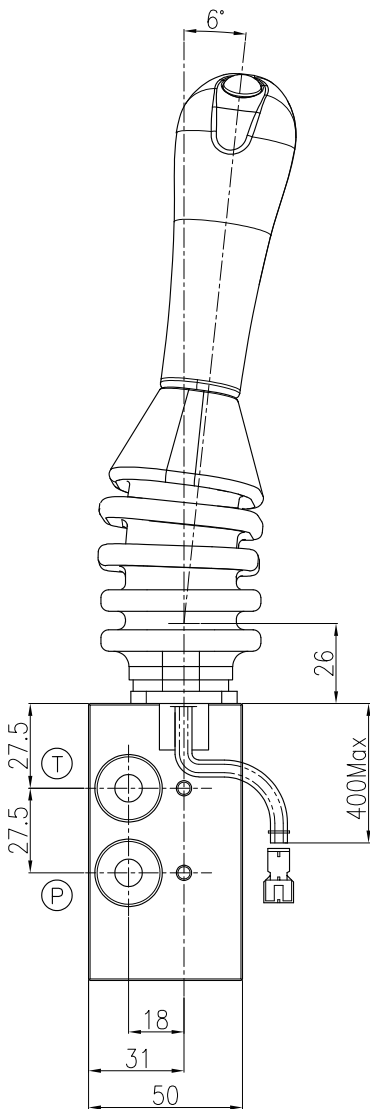
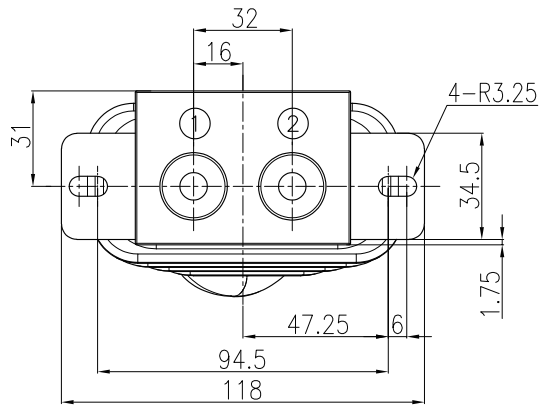
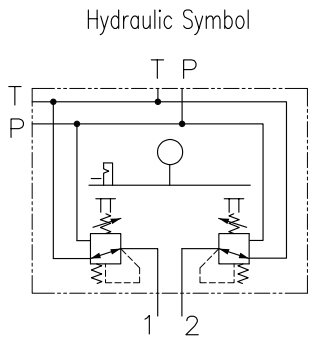


# DHRCD Dimensional reference – Single standard

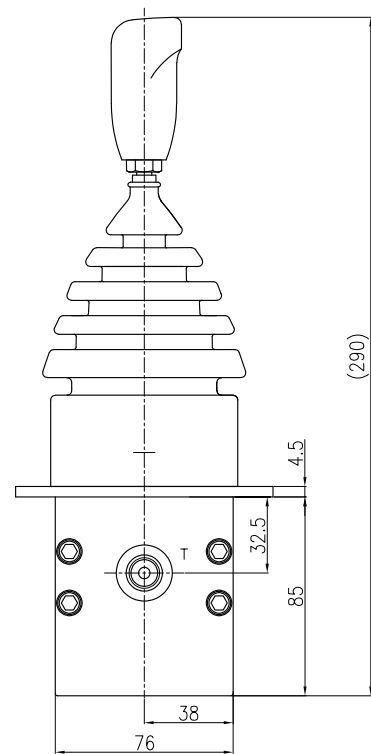
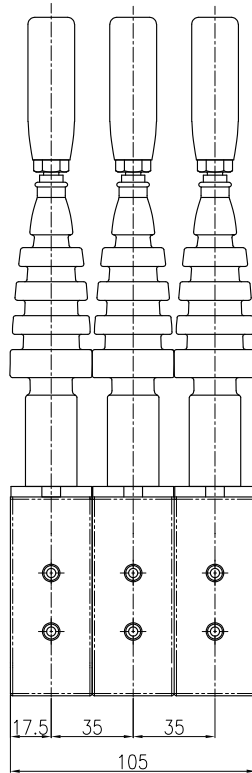
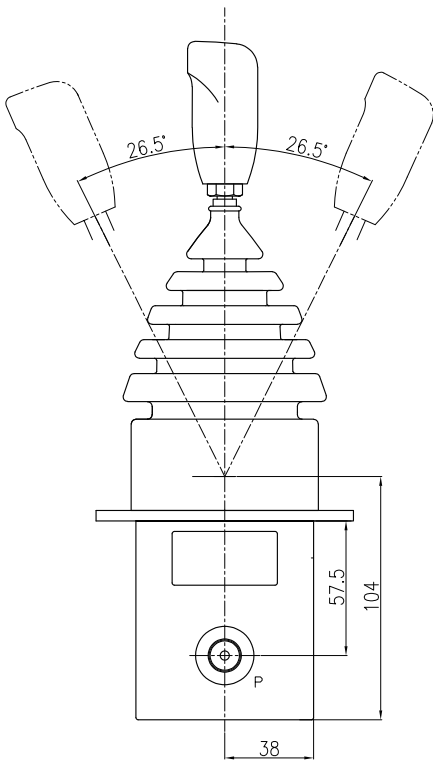
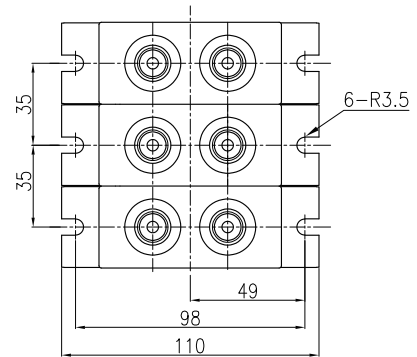
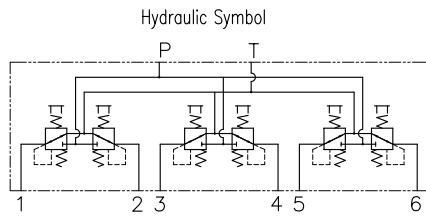
Hydraulic Symbol



# DHRCD Dimensional reference – Single detent



# DHRCD Dimensional reference – sectional



**Products we offer:**

- Cartridge valves
- DCV directional control valves
- Electric converters
- Electric machines
- Electric motors
- Fluid Conveyance
- Gear motors
- Gear pumps
- Hydraulic integrated circuits (HICs)
- Hydrostatic motors
- Hydrostatic pumps
- Industrial hydraulics
- Orbital motors
- PLUS+1° controllers
- PLUS+1° displays
- PLUS+1° joysticks and pedals
- PLUS+1° operator interfaces
- PLUS+1° sensors
- PLUS+1° software
- PLUS+1° software services, support and training
- Position controls and sensors
- PVG proportional valves
- Steering components and systems
- Telematics

**Danfoss Power Solutions** is a global manufacturer and supplier of high-quality hydraulic and electric components. We specialize in providing state-of-the-art technology and solutions that excel in the harsh operating conditions of the mobile off-highway and industrial markets as well as the marine sector. Building on our extensive applications expertise, we work closely with you to ensure exceptional performance for a broad range of applications. We help you and other customers around the world speed up system development, reduce costs and bring vehicles and vessels to market faster.

Danfoss Power Solutions – your strongest partner in hydraulics and mobile electrification.

**Go to [www.danfoss.com](http://www.danfoss.com) for further product information.**

We offer you expert worldwide support for ensuring the best possible solutions for outstanding performance. And with an extensive network of Global Service Partners, we also provide you with comprehensive global service for all of our components.

Local address:

**Hydro-Gear**

[www.hydro-gear.com](http://www.hydro-gear.com)

**Daikin-Sauer-Danfoss**

[www.daikin-sauer-danfoss.com](http://www.daikin-sauer-danfoss.com)

**Danfoss Power Solutions (US) Company**  
2800 East 13th Street  
Ames, IA 50010, USA  
Phone: +1 515 239 6000

**Danfoss Power Solutions GmbH & Co. OHG**  
Krokamp 35  
D-24539 Neumünster, Germany  
Phone: +49 4321 871 0

**Danfoss Power Solutions ApS**  
Nordborgvej 81  
DK-6430 Nordborg, Denmark  
Phone: +45 7488 2222

**Danfoss Power Solutions Trading (Shanghai) Co., Ltd.**  
Building #22, No. 1000 Jin Hai Road  
Jin Qiao, Pudong New District  
Shanghai, China 201206  
Phone: +86 21 2080 6201