

Datasheet

DHRCJ

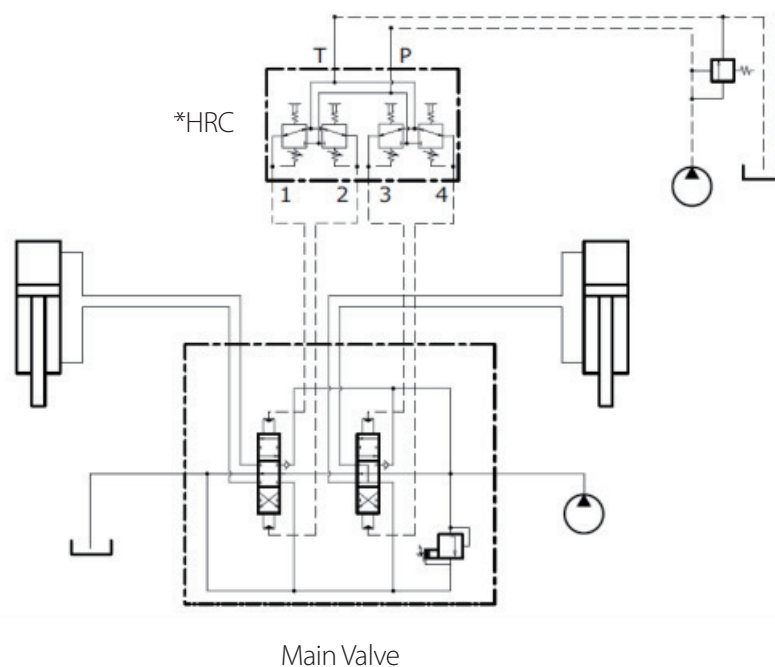
Hydraulic Joystick

The Danfoss Hydraulic Remote Control a state-of-the-art modular hydraulic control system that allows versatile and ergonomic machine operation.

Operators can tailor their experience with multiple distinct grips that can be seamlessly paired with a variety of bases and response curves, providing complete comfort and control customization. Each grip within the portfolio can be configured with a comprehensive set of finger functions, allowing for true personalization based on individual preferences and operational requirements.

Designed to withstand extreme and harsh conditions commonly encountered in the mobile machine environment, the Hydraulic Remote Controls base is engineered for dependability and reliability. Its resilience ensures consistent performance, even in the toughest operating conditions, while maintaining a close-to-flat hysteresis response.

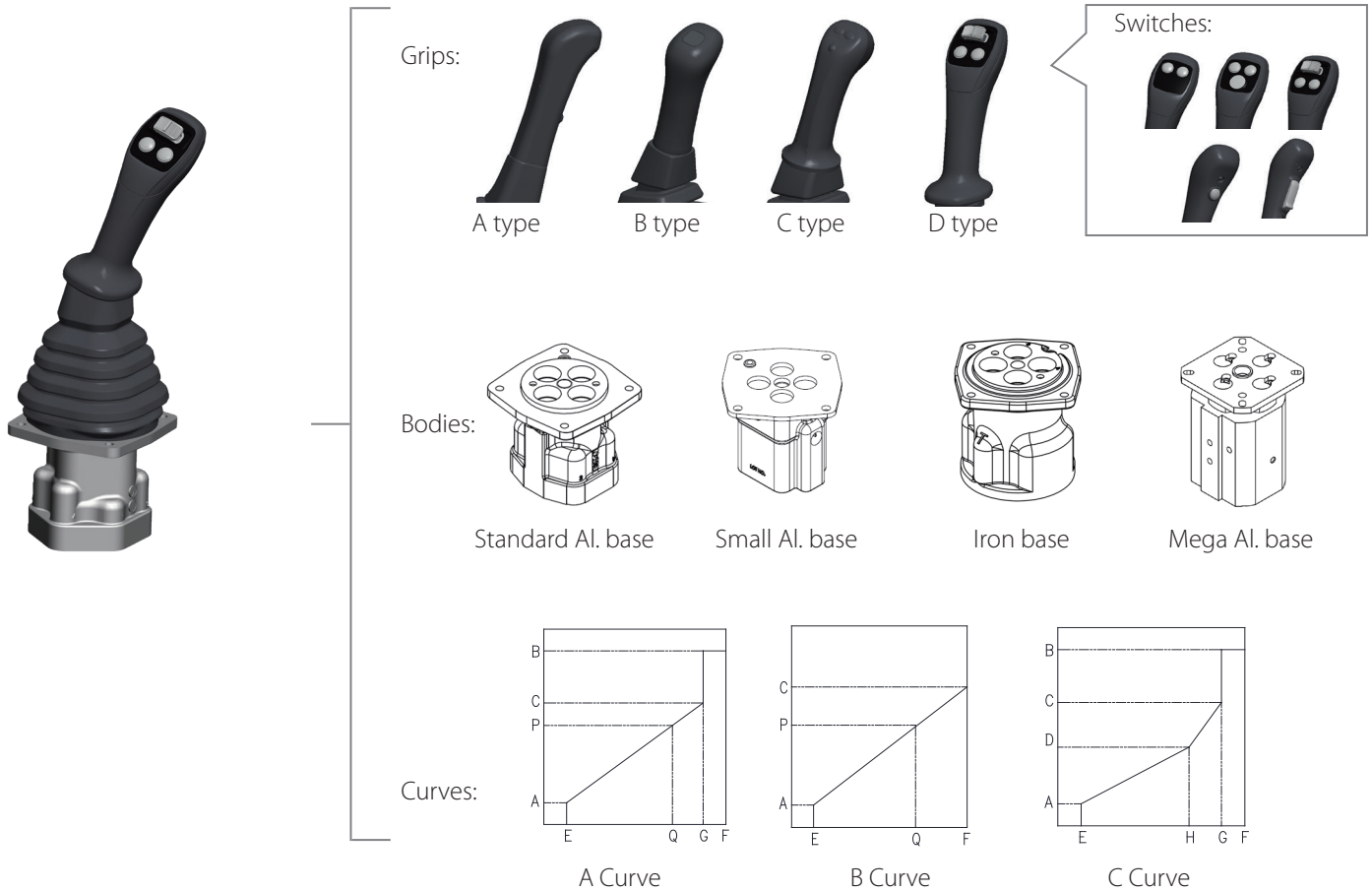
The future of control systems with Danfoss Hydraulic Remote Controls – where modularity, durability, and customization converge.



1 *Schematic exemplification can be either one of the DHRC products.

DHRCJ General specification

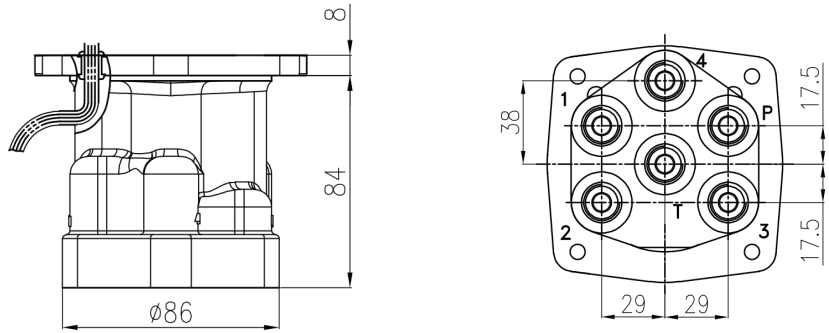
You have flexible options for bodies, grips, switches, connectors, output curves and so on. Below shows example. Please find detail information on catalogue.



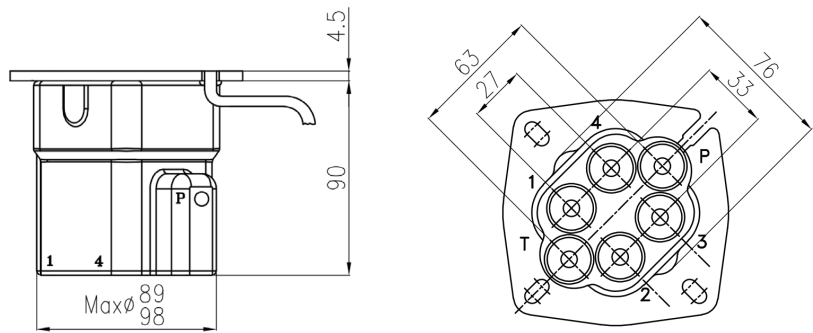
General Specifications	DHRCJ
Max. inlet pressure (bar)	70
Max. back pressure (bar)	3
Rated flow (LPM)	20
Output pressure (bar)	0 ~ 30
Fluid type	Mineral oil
Fluid temperature	-20°C to 90°C
Ambien temperature	-40°C to 60°C
Viscosity	12 ~ 400 mm ² /s
Max. Level of fluid contamination	18/16/13 – ISO 4406

DHRCJ Body options and dimensions

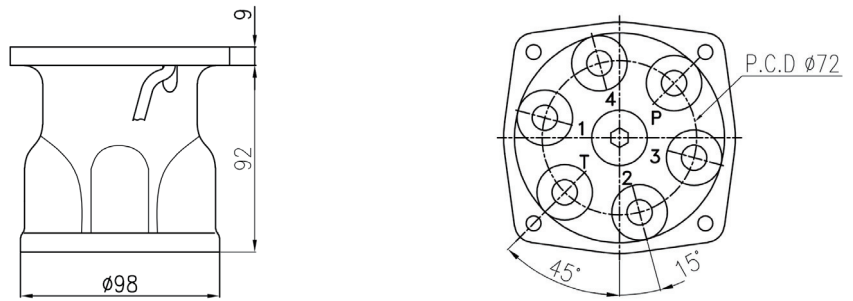
Standard Aluminum



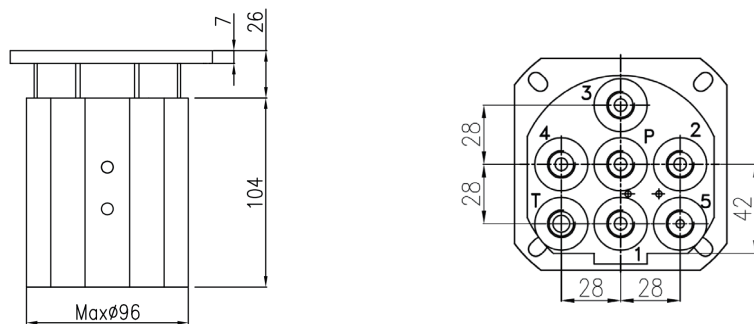
Small Aluminum
98[3.503] / 89[3.503]
diameter



Primal Iron black/ blue

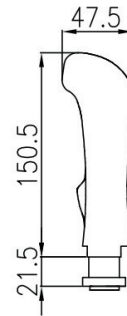


Mega Aluminum

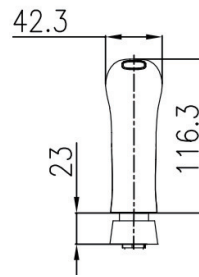


DHRCJ Grip options and dimensions

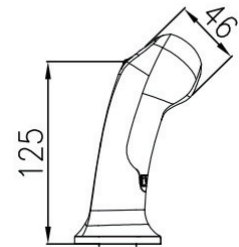
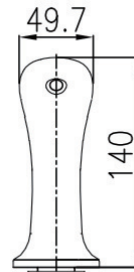
A type, no finger functions



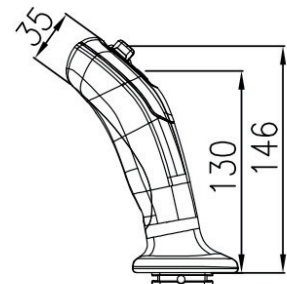
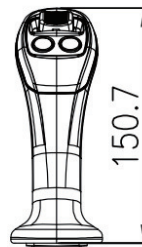
B Type, single button



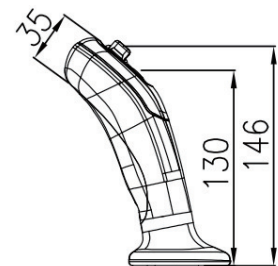
C type, multiple buttons



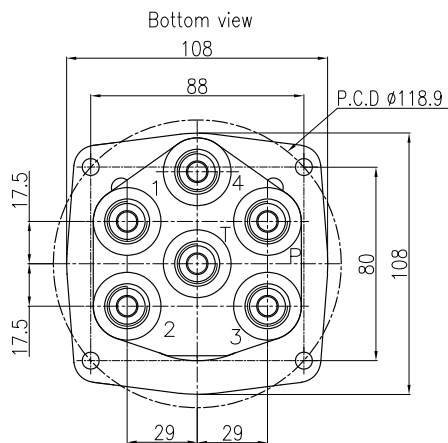
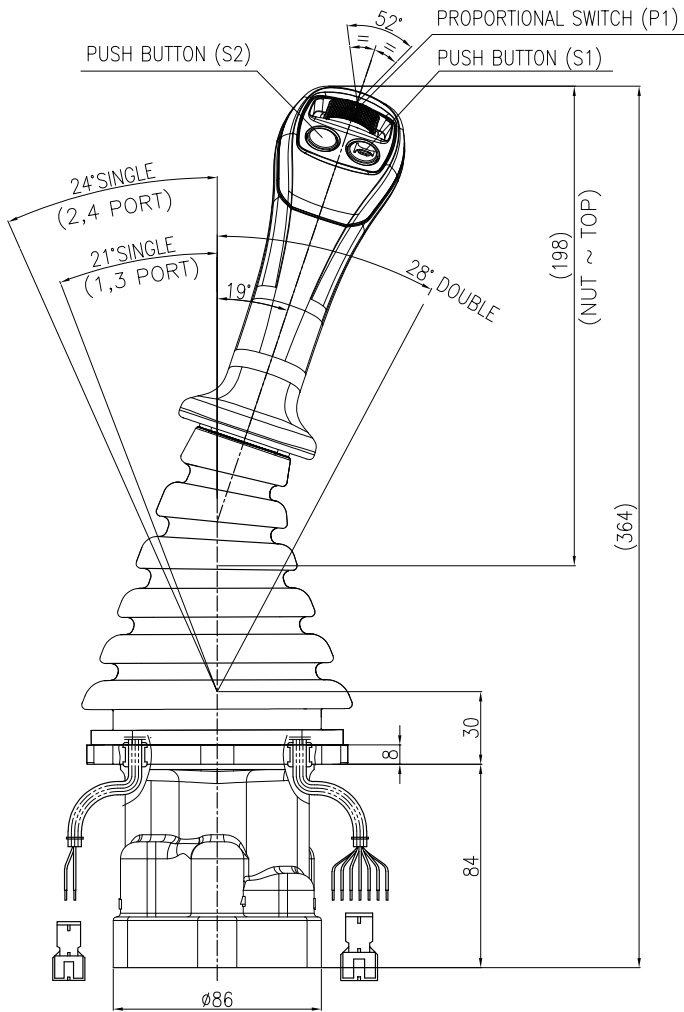
D type, multiple functions



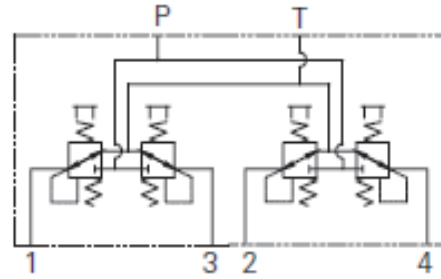
E type (D grip short version), multiple functions



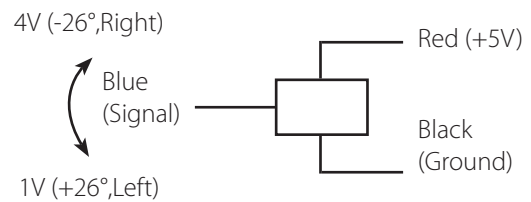
DHRCJ Dimensional Reference – Standard body with D type grip



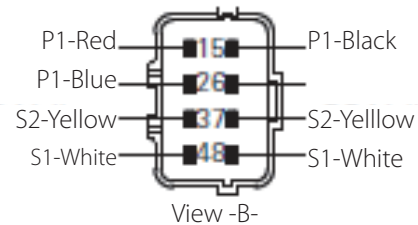
Hydraulic symbol



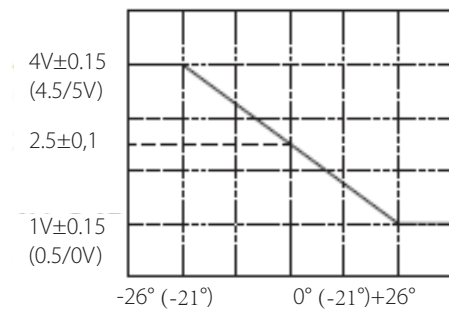
Proportional switch (p1)



Proportional switch (p1)



Proportional switch tolerance



Ports: G1/4 and G3/8 O-ring recommended, SAE optional
Body: Aluminum
Mounting PCD: Φ113, Φ100-113 (only PF1/4-Small body)

- *Multiple port sizes as model code position 6 code 2-7.
- 2 - 6-PF 3/8
 - 3 - 5-PF 3/8, P port 1/4
 - 4 - 6-PF 1/4
 - 5 - 6-5/16-24-UNF
 - 6 - 6-7/16-20-UNF
 - 7 - 6-9/16-18-UNF

Products we offer:

- Cartridge valves
- DCV directional control valves
- Electric converters
- Electric machines
- Electric motors
- Fluid Conveyance
- Gear motors
- Gear pumps
- Hydraulic integrated circuits (HICs)
- Hydrostatic motors
- Hydrostatic pumps
- Industrial hydraulics
- Orbital motors
- PLUS+1° controllers
- PLUS+1° displays
- PLUS+1° joysticks and pedals
- PLUS+1° operator interfaces
- PLUS+1° sensors
- PLUS+1° software
- PLUS+1° software services, support and training
- Position controls and sensors
- PVG proportional valves
- Steering components and systems
- Telematics

Danfoss Power Solutions is a global manufacturer and supplier of high-quality hydraulic and electric components. We specialize in providing state-of-the-art technology and solutions that excel in the harsh operating conditions of the mobile off-highway and industrial markets as well as the marine sector. Building on our extensive applications expertise, we work closely with you to ensure exceptional performance for a broad range of applications. We help you and other customers around the world speed up system development, reduce costs and bring vehicles and vessels to market faster.

Danfoss Power Solutions – your strongest partner in hydraulics and mobile electrification.

Go to www.danfoss.com for further product information.

We offer you expert worldwide support for ensuring the best possible solutions for outstanding performance. And with an extensive network of Global Service Partners, we also provide you with comprehensive global service for all of our components.

Local address:

Hydro-Gear

www.hydro-gear.com

Daikin-Sauer-Danfoss

www.daikin-sauer-danfoss.com

Danfoss Power Solutions (US) Company
2800 East 13th Street
Ames, IA 50010, USA
Phone: +1 515 239 6000

Danfoss Power Solutions GmbH & Co. OHG
Krokamp 35
D-24539 Neumünster, Germany
Phone: +49 4321 871 0

Danfoss Power Solutions ApS
Nordborgvej 81
DK-6430 Nordborg, Denmark
Phone: +45 7488 2222

Danfoss Power Solutions Trading (Shanghai) Co., Ltd.
Building #22, No. 1000 Jin Hai Road
Jin Qiao, Pudong New District
Shanghai, China 201206
Phone: +86 21 2080 6201