

Datasheet

DHRCP

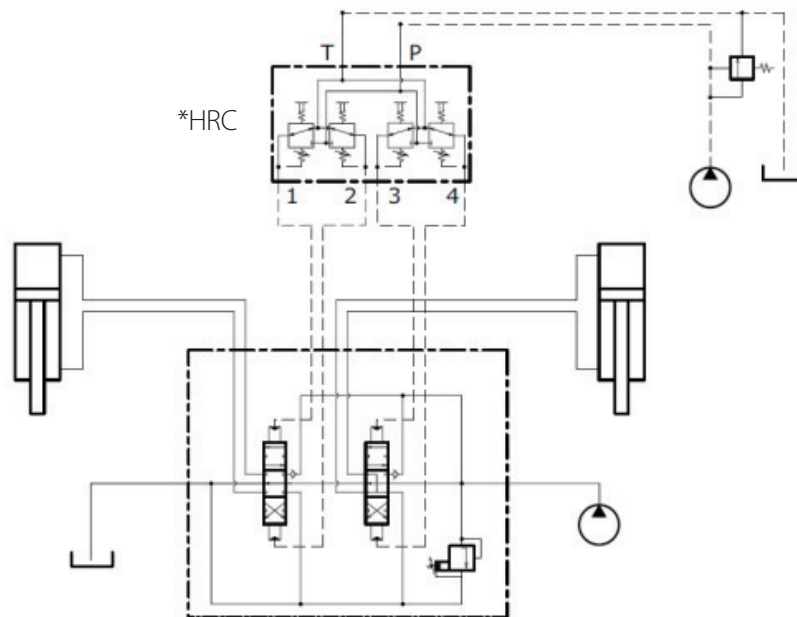
Hydraulic Foot Pedal

The Danfoss Hydraulic Remote Control a state-of-the-art modular hydraulic control system that allows versatile and ergonomic machine operation.

Each application can be matched with a variety of pedal types, to ensure the maximum ergonomics while providing the best functionality and control feeling.

Designed to withstand extreme and harsh conditions commonly encountered in the mobile machine environment, the Hydraulic Remote Controls base is engineered for dependability and reliability. Its resilience ensures consistent performance, even in the toughest operating conditions, while maintaining a close-to-flat hysteresis response.

The future of control systems with Danfoss Hydraulic Remote Controls – where modularity, durability, and customization converge.



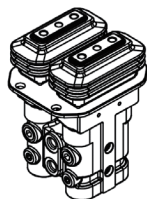
Main Valve

1 *Schematic exemplification can be either one of the DHRC products.

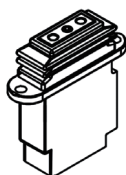
DHRCP Configuration and Operation

You have flexible options for pedals, bodies, and output curves among others. Below are shown some examples. Please find detailed information on the catalogue.

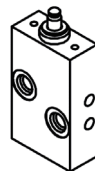
Bases:



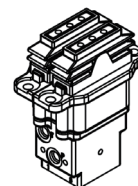
Double



Single

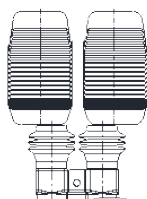


Push only

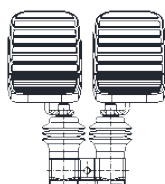


Mini

Pedals:



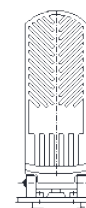
Double



Wide double

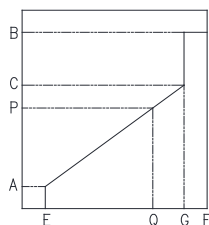


Single

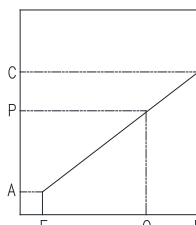


Push only

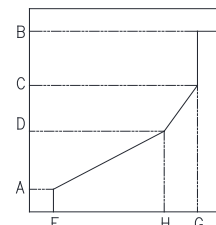
Curves:



A Curve



B Curve

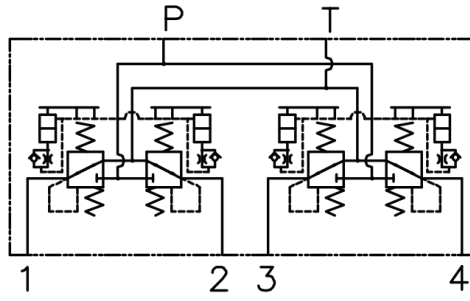


C Curve

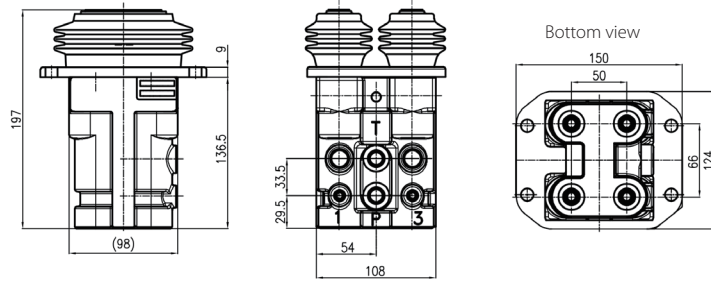
General Specifications	DHRCP			
	Double	Single	Push only	Mini
Max. inlet pressure (bar)	70	70	50	70
Max. back pressure (bar)	3			
Rated flow (LPM)	20	10	10	20
Output pressure (bar)	0 ~ 30			
Fluid type	Mineral oil			
Fluid temperature	-20°C to 90°C			
Ambien temperature	-40°C to 60°C			
Viscosity	12 ~ 400 mm ² /s			
Max. Level of fluid contamination	18/16/13 – ISO 4406			

DHRCP Body options and dimensions – Dual Pedal

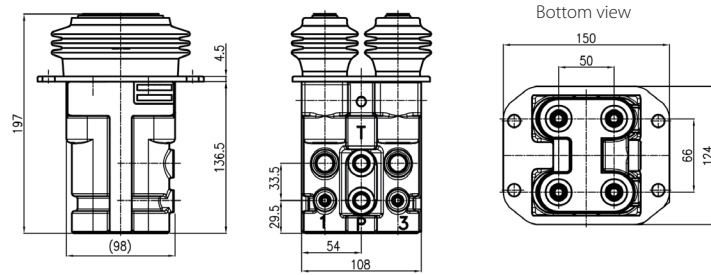
Dual pedal schematic



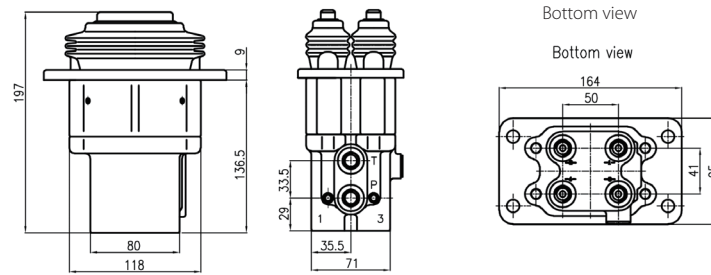
Damping dual pedal mono type, cast iron



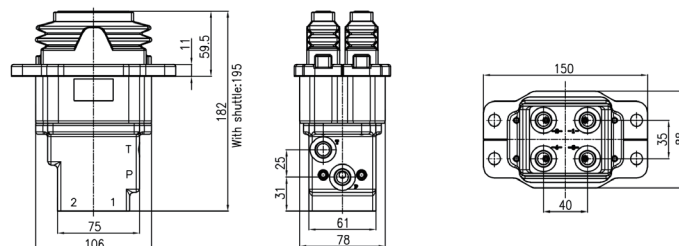
Damping dual pedal mono type, aluminum alloy



Damping dual pedal split type, cast iron

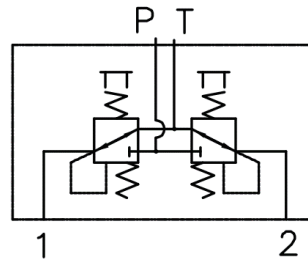


Damping dual mini pedal with shuttle, cast iron

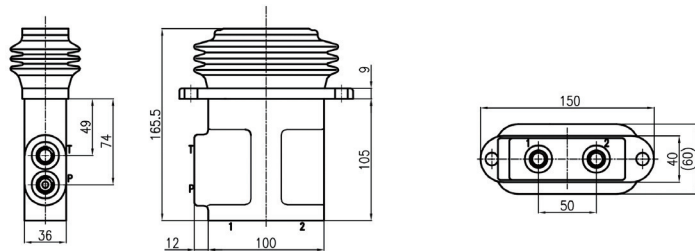


DHRCP Body options and dimensions – Single and Uni-directional Pedal

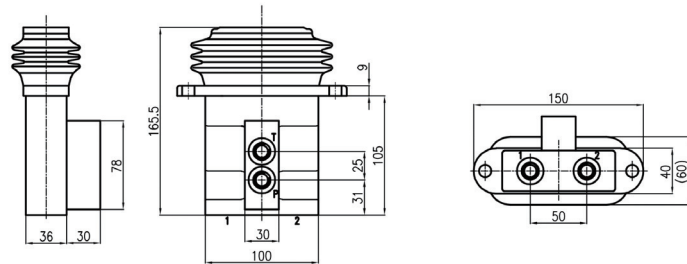
Single pedal schematic



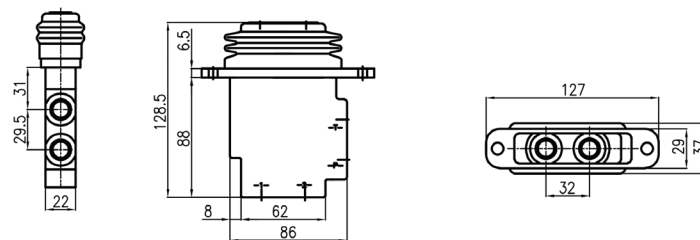
Single pedal, cast iron



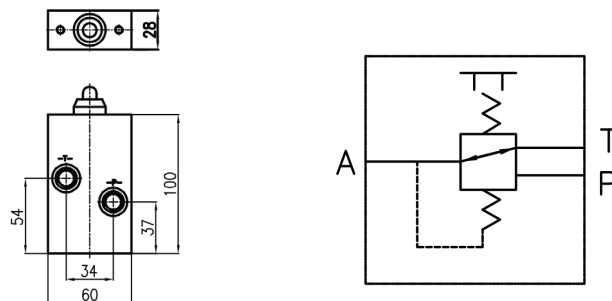
Single pedal with additional inlet cover, cast iron



Single pedal, aluminum alloy

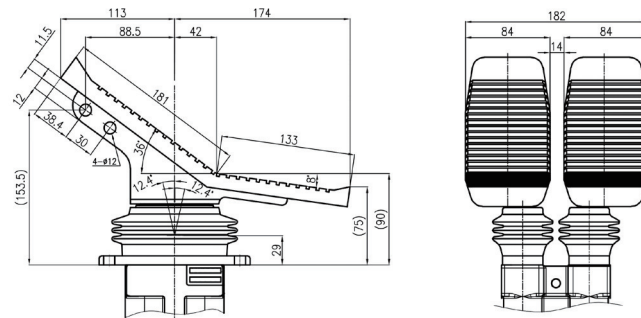


Uni-directional (push only) single pedal, cast iron. With schematic

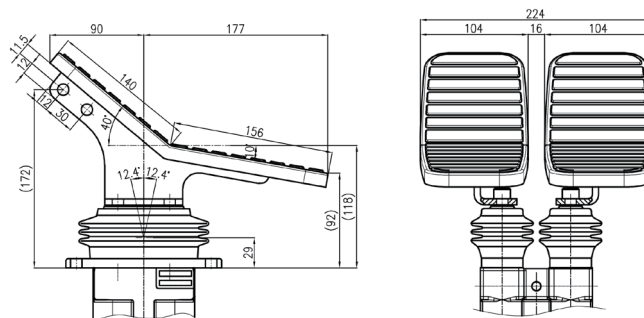


DHRCP Foot plate options and dimensions

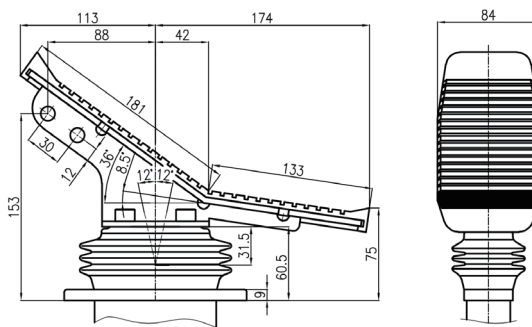
Standard double pedal



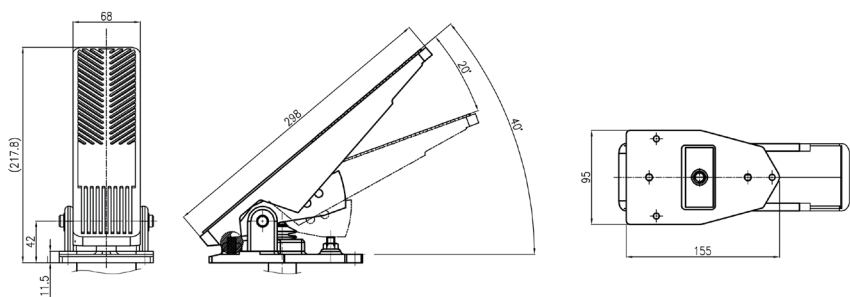
Wide dual pedal



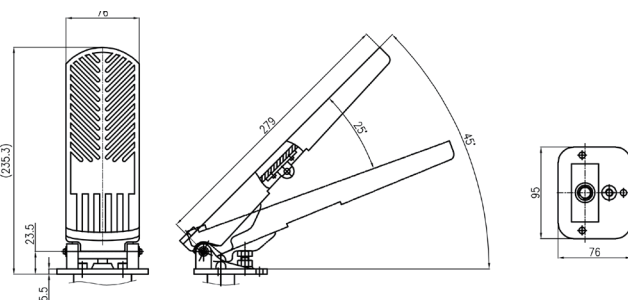
Standard single pedal



Single uni-directional pedal

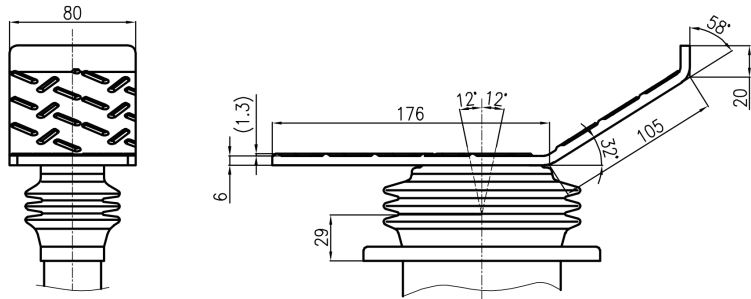


Wide single uni-directional pedal

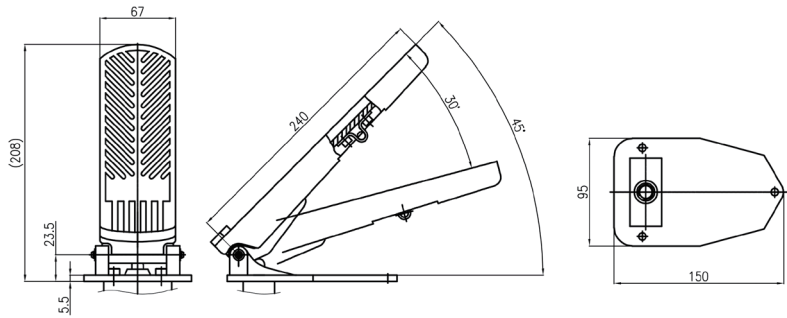


DHRCP Foot plate options dimensions

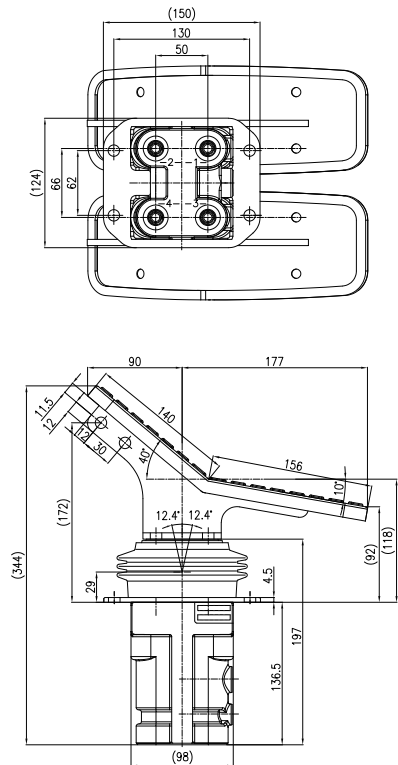
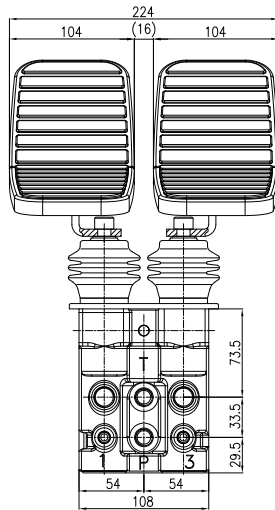
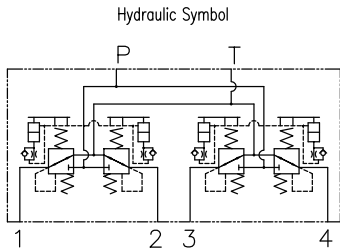
Steel plate single pedal without rubber cover



Single uni-directional small pedal



DHRCP Dimensional reference – Damping dual pedal aluminum with footplate



Products we offer:

- Cartridge valves
- DCV directional control valves
- Electric converters
- Electric machines
- Electric motors
- Fluid Conveyance
- Gear motors
- Gear pumps
- Hydraulic integrated circuits (HICs)
- Hydrostatic motors
- Hydrostatic pumps
- Industrial hydraulics
- Orbital motors
- PLUS+1° controllers
- PLUS+1° displays
- PLUS+1° joysticks and pedals
- PLUS+1° operator interfaces
- PLUS+1° sensors
- PLUS+1° software
- PLUS+1° software services, support and training
- Position controls and sensors
- PVG proportional valves
- Steering components and systems
- Telematics

Danfoss Power Solutions is a global manufacturer and supplier of high-quality hydraulic and electric components. We specialize in providing state-of-the-art technology and solutions that excel in the harsh operating conditions of the mobile off-highway and industrial markets as well as the marine sector. Building on our extensive applications expertise, we work closely with you to ensure exceptional performance for a broad range of applications. We help you and other customers around the world speed up system development, reduce costs and bring vehicles and vessels to market faster.

Danfoss Power Solutions – your strongest partner in hydraulics and mobile electrification.

Go to www.danfoss.com for further product information.

We offer you expert worldwide support for ensuring the best possible solutions for outstanding performance. And with an extensive network of Global Service Partners, we also provide you with comprehensive global service for all of our components.

Local address:

Hydro-Gear

www.hydro-gear.com

Daikin-Sauer-Danfoss

www.daikei-sauer-danfoss.com

Danfoss Power Solutions (US) Company
2800 East 13th Street
Ames, IA 50010, USA
Phone: +1 515 239 6000

Danfoss Power Solutions GmbH & Co. OHG
Krokamp 35
D-24539 Neumünster, Germany
Phone: +49 4321 871 0

Danfoss Power Solutions ApS
Nordborgvej 81
DK-6430 Nordborg, Denmark
Phone: +45 7488 2222

Danfoss Power Solutions Trading (Shanghai) Co., Ltd.
Building #22, No. 1000 Jin Hai Road
Jin Qiao, Pudong New District
Shanghai, China 201206
Phone: +86 21 2080 6201