

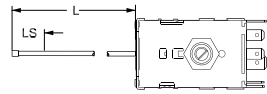
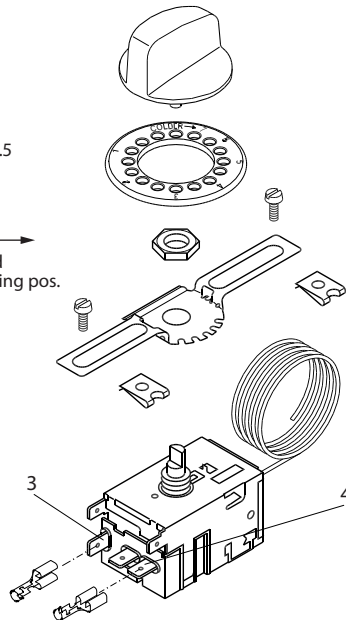
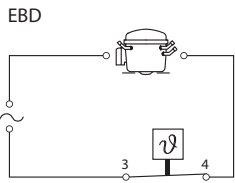
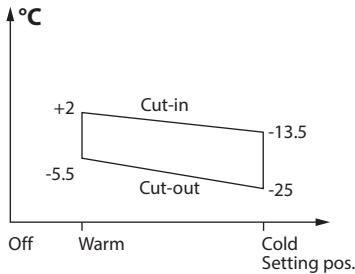
Installation guide

Service thermostats
Type **077B7**



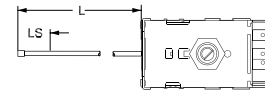
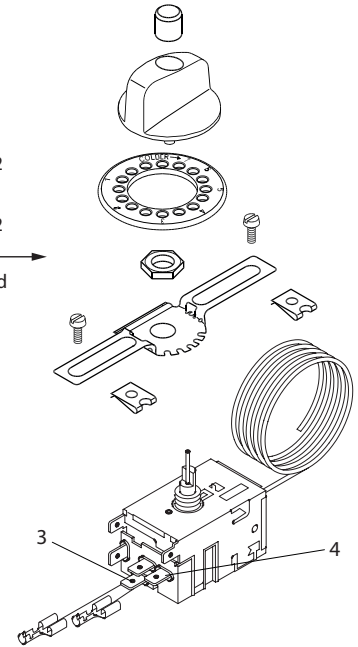
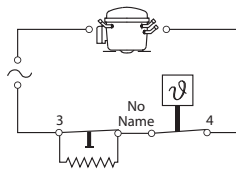
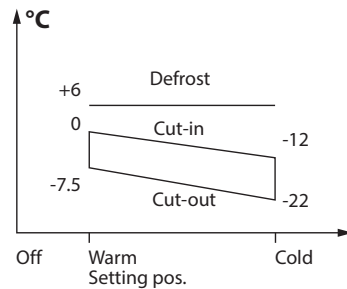
077R0701

Service thermostats 077B7001 - Refrigerators



Length of capillary (mm): $L = 1300 + 30/-0$
 Min. sensor length mounted on evaporator (mm): $LS = 115$
 (Used as airsenser min. $2 \times LS$)

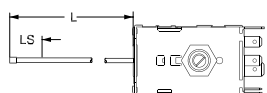
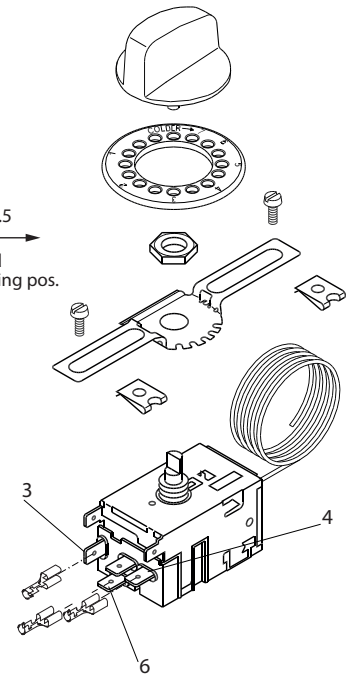
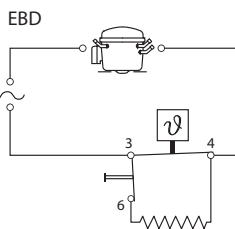
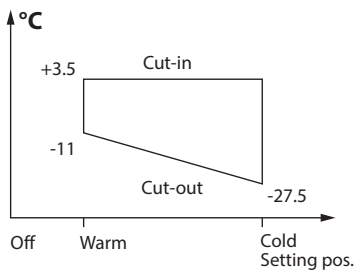
Service thermostats 077B7002 - Refrigerators with push button defrost



Length of capillary (mm): $L = 1300 + 30/-0$
 Min. sensor length mounted on evaporator (mm): $LS = 115$
 (Used as airsenser min. $2 \times LS$)

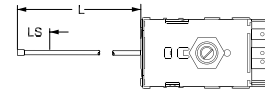
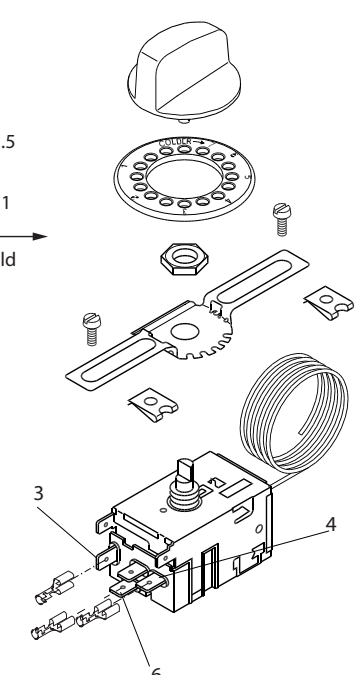
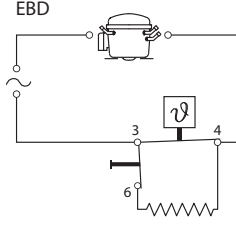
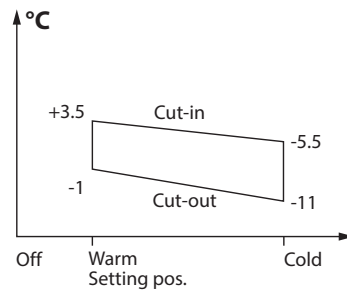
077R0701

Service thermostats 077B7003 - Refrigerators with automatic defrost



Length of capillary (mm): $L = 1600 + 50/-0$
 Min. sensor length mounted on evaporator (mm): $LS = 125$
 (Used as airsenser min. $2 \times LS$)

Service thermostats 077B7004 - Absorption refrigerators

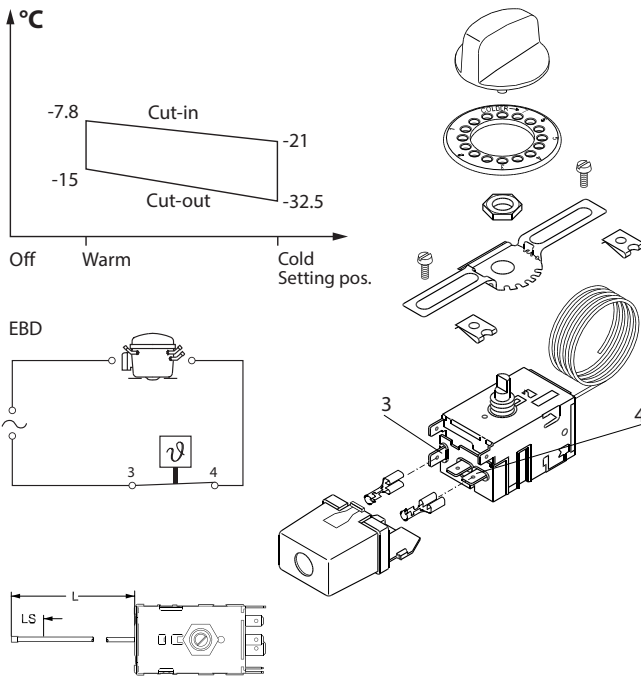


Length of capillary (mm): $L = 1500 + 50/-0$
 Min. sensor length mounted on evaporator (mm): $LS = 95$
 (Used as airsenser min. $2 \times LS$)

Info for UK customers only: Danfoss Ltd., 22 Wycombe End, HP9 1NB, GB

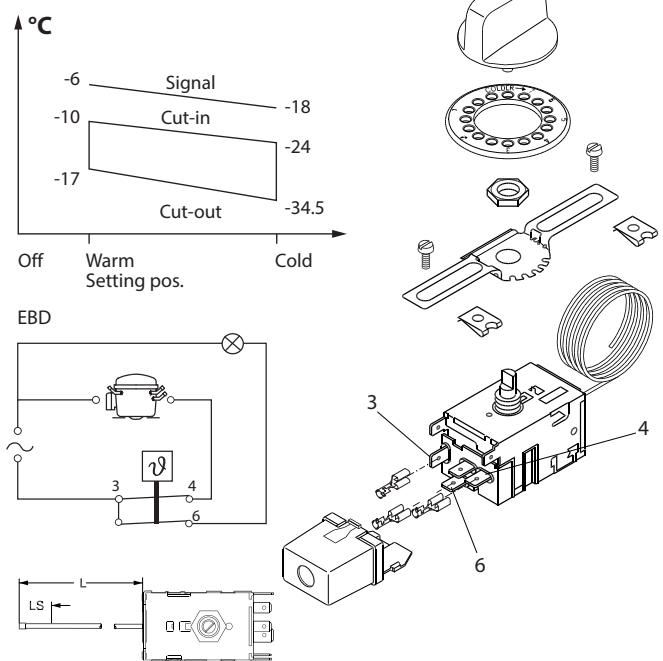
Імпортер: ТОВ з іі "Данфосс ТОВ" 04080, Київ 80, п/с 168, Україна

Service thermostats 077B7005 - Ice-cream cabinets and freezers without signal



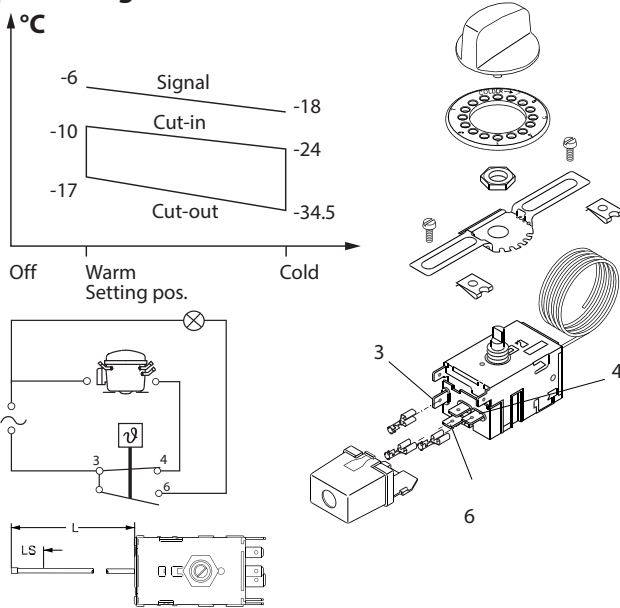
Length of capillary (mm): $L = 2300 +30/-0$
 Min. sensor length mounted on evaporator (mm): $LS = 130$
 (Used as airtensor min. $2 \times LS$)

Service thermostats 077B7006 - Freezers with active signal



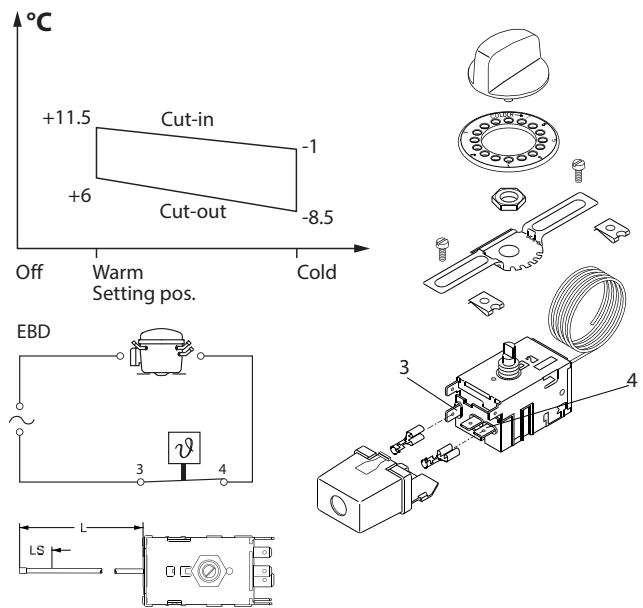
Length of capillary (mm): $L = 2300 +50/-0$
 Min. sensor length mounted on evaporator (mm): $LS = 130$
 (Used as airtensor min. $2 \times LS$)

Service thermostats 077B7007 - Freezers with passive signal



Length of capillary (mm): $L = 2300 +50/-0$
 Min. sensor length mounted on evaporator (mm): $LS = 130$
 (Used as airtensor min. $2 \times LS$)

Service thermostats 077B7008 - Bottle and liquid coolers



Length of capillary (mm): $L = 2000 +30/-0$
 Min. sensor length mounted on evaporator (mm): $LS = 120$
 (Used as airtensor min. $2 \times LS$)



The 077B...EBD, 077B...L EBD can be applied on systems with R290 and R600a as the working fluid.

For countries where safety standards are not an indispensable part of the safety system Danfoss recommend the installer to get a third party approval of the system containing flammable refrigerant.

Note: All temperatures at 760 mm Hg

Danfoss A/S

Climate Solutions • danfoss.com • +45 7488 2222

Any information, including, but not limited to information on selection of product, its application or use, product design, weight, dimensions, capacity or any other technical data in product manuals, catalogues descriptions, advertisements, etc. and whether made available in writing, orally, electronically, online or via download, shall be considered informative, and is only binding if and to the extent, explicit reference is made in a quotation or order confirmation. Danfoss cannot accept any responsibility for possible errors in catalogues, brochures, videos and other material. Danfoss reserves the right to alter its products without notice. This also applies to products ordered but not delivered provided that such alterations can be made without changes to form, fit or function of the product.

All trademarks in this material are property of Danfoss A/S or Danfoss group companies. Danfoss and the Danfoss logo are trademarks of Danfoss A/S. All rights reserved.