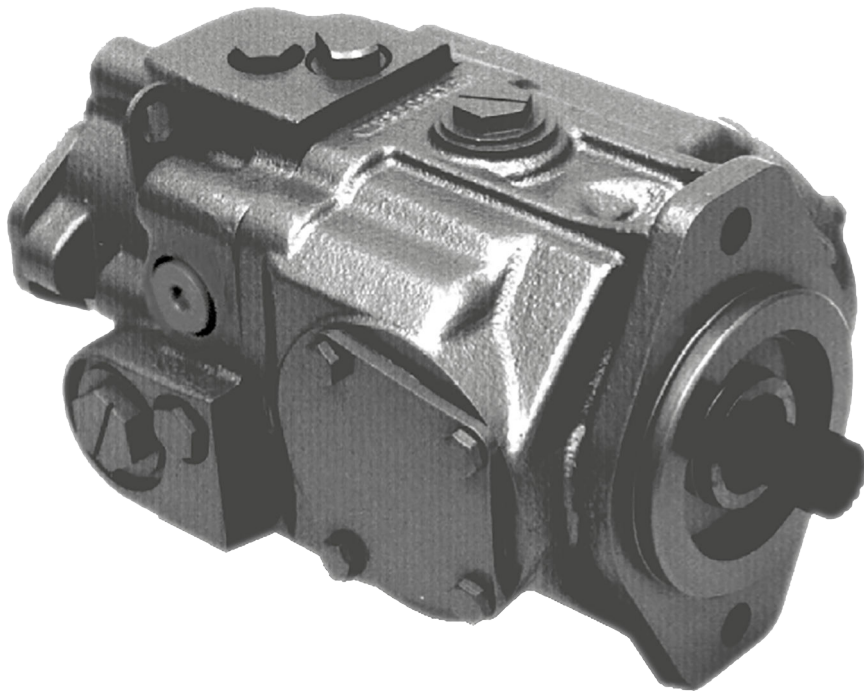


ENGINEERING
TOMORROW



Technical Information

Series 40 Direct Displacement Pumps



Revision history

Table of revisions

Date	Changed	Rev
July 2024	Changed document number from 'BC00000106' and '520L0635' to 'BC152886483301' removed reference to M25	0801
July 2017	Removed outdated images	0703
January 2017	Minor updates	0702
July 2015	Minor edits	0701
February 2015	Danfoss layout	GA
Sep 2013	Change system pressure specs	FB
Aug 2013	Remove M46 from manual	FA
Feb 2010	Fix Osaka address	EI
Jun 2009	Remove M25U outline drawing	EH
Jul 2008	Add plug for Charge pressure construction port	EG
Oct 2007	Identified A Pad and B Pad as M35 and M44	EF
Jul 2007	Corrections to table - G factors for sample applications	ED
Jun 2006	Corrections to maximum flow	EC
May 2006	Added an illustration to page 21	EB

Contents

Specifications

Design Specifications.....5
 Technical Specifications.....5
 Operating Parameters.....5
 Options.....5
 Fluid Specifications.....6

General Information

Series 40 Family of Pumps and Motors.....7
 M35 Variable Pump (M44 is similar).....7
 M35/44 Pump Schematic.....8

Features and Options

Key Features.....9
 Options.....9

Operating Parameters

Fluids.....10
 Viscosity.....10
 Temperature.....10
 Charge Pressure.....10
 Case Pressure.....10
 Pressure Ratings.....11
 Speed Ratings.....11
 Inlet Pressure.....11
 Theoretical Output.....12

System Design Parameters

Sizing Equations.....13
 Filtration.....13
 Suction filtration.....13
 Charge filtration.....14
 Redundant Braking System Requirement.....14
 Loop Flushing.....15
 Reservoir.....15
 Case Drain usage for Tandem Pumps.....15
 Bearing Life and External Shaft Loading15
 Hydraulic Unit Life.....16
 Mounting Flange Loads.....17

Model Code

Model Code.....19

Options

Charge Pump.....21
 Charge Pump Output Flow.....22
 Charge Pump Power Requirements.....22
 Charge Relief Valve.....22
 Charge Check/High Pressure Relief Valve (HPRV).....23
 Auxiliary Mounting Pads and Auxiliary Pumps.....24
 Shaft Options.....26
 M35/44 Variable Pump.....27
 M35/44 Tandem Pump.....28
 Direct Displacement Control (DDC).....29
 External control handle requirements.....29

Installation Drawings

M35/44 Variable Pump.....31
 M35/44 Tandem Pump.....33

Performance Data

Performance.....37

Contents

Schematics

Single Pump Schematics.....	38
Tandem Pump Schematics.....	38

Specifications

Design Specifications

Product line	Series 40 Pumps
Pump type	In-line, axial piston, variable, positive displacement pumps
Direction rotation	Clockwise (CW) or counterclockwise (CCW) available
Installation position	Discretionary, the housing must be filled with hydraulic fluid
Filtration configuration	Suction or charge pressure filtration
Other system requirements	Independent braking system, suitable reservoir and heat exchanger

Technical Specifications

Model	Unit	M35 PV	M44 PV	M35 PT	M44 PT
Pump configuration		Single variable pump		Tandem variable pump	
Displacement	cm ³ /rev [in ³ /rev]	35.0 [2.14]	43.5 [2.65]	35.0 x 2 [2.14 x 2]	43.5 x 2 [2.65 x 2]
Weight	kg [lb]	25 [55]	25 [55]	45 [99]	45 [99]
Mass moment of inertia	kg·m ² [slug·ft ²]	0.0033 [0.0024]	0.0032 [0.0023]	0.0066 [0.0048]	0.0064 [0.0047]

Operating Parameters

Model	Unit	M35 PV	M44 PV	M35 PT	M44 PT
Case pressure					
Continuous	bar [psi]	1.7 [25]			
Maximum	bar [psi]	5.2 [75]			
Speed limits					
Rated @ max angle	min ⁻¹ (rpm)	3600	3300	3600	3300
Maximum @ max angle	min ⁻¹ (rpm)	4500	4100	4500	4100
Minimum	min ⁻¹ (rpm)	500	500	500	500
System pressure					
Maximum Working	bar [psi]	380 [5511]	345 [5000]	380 [5511]	345 [5000]
Maximum	bar [psi]	415 [6019]	415 [6019]	415 [6019]	415 [6019]
Theoretical max flow at rated speed (per pump)	l/min [US gal/min]	126 [33.4]	145 [38.3]	126 [33.4]	145 [38.3]
Inlet pressure					
Continuous	bar absolute [in Hg vacuum]	0.8 [6.3]			
Maximum	bar absolute [in Hg vacuum]	0.7 [9.2]			

Options

Model	Unit	M35 PV	M44 PV	M35 PT	M44 PT
Type of mounting		SAE B	SAE B	SAE B	SAE B
Port connections		Twin	Twin	Twin	Twin
Integral charge pump (std)	cm ³ /rev [in ³ /rev]	11.8 [0.72]	11.8 [0.72]	16.4 [1.00]	16.4 [1.00]

Specifications

Model	Unit	M35 PV	M44 PV	M35 PT	M44 PT
Charge relief valve setting	bar [psi]	14.0 [200]	14.0 [200]	14.0 [200]	14.0 [200]
System pressure regulation	bar [psi]	140-345 [2030-5000]			
Displacement limiters		-	-	-	-
Input shaft option		Splined, Tapered, or Straight Key			
Auxiliary mounting pad		SAE A SAE B	SAE A SAE B	SAE A SAE B	SAE A SAE B
Control options		DDC	DDC	DDC	DDC
Filtration configuration		Suction Filtration or Remote Charge Pressure Filtration			

Fluid Specifications

Parameter	Unit	Minimum	Continuous	Maximum
Viscosity	mm ² /sec (cSt) [SUS]	7 [47]	12-60 [70-278]	1600 [7500]
Temperature	°C [°F]	-40 [-40]	82 [180]	104 [220]
Cleanliness		ISO 4406 Class 18/13 or better		
Filtration efficiency	suction filtration	$\beta_{35-44}=75$ ($\beta_{10} \geq 1.5$)		
	charge filtration	$\beta_{15-20}=75$ ($\beta_{10} \geq 10$)		

Ratings and data are based on operation with premium petroleum-based hydraulic fluids containing oxidation, rust, and foam inhibitors.

General Information

Series 40 Family of Pumps and Motors

Series 40 is a family of hydrostatic pumps and motors for medium power applications with maximum loads of 345 bar [5000 psi]. These pumps and motors can be applied together or combined with other products in a system to transfer and control hydraulic power.

Series 40 pump + motor transmissions provide an infinitely variable speed range between zero and maximum in both forward and reverse modes of operation. The pumps and motors each come in three frame sizes: M35, M44, and M46.

Series 40 pumps are compact, high power density units. All models use the parallel axial piston / slipper concept in conjunction with a tiltable swashplate to vary the pump's displacement. Reversing the angle of the swashplate reverses the flow of fluid from the pump, reversing the direction of rotation of the motor output.

Series 40 - M35 and M44 pumps may include an integral charge pump to provide system replenishing and cooling fluid flow. Series 40 pumps feature a range of auxiliary mounting pads to accept auxiliary hydraulic pumps for use in complementary hydraulic systems.

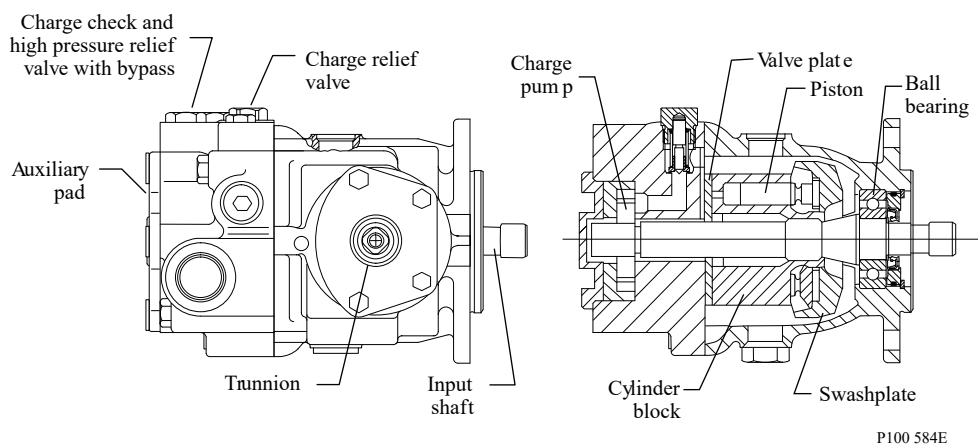
For complete technical information on M46 pumps, refer to *M46 Pumps Technical Information, L1001029*.

Series 40 motors use the parallel axial piston/slipper design in conjunction with a fixed or tiltable swashplate. The family includes M35, M44 fixed motor units and M35, M44, M46 variable motor units. For complete technical information on Series 40 motors, refer to *Series 40 Motors Technical Information, BC152886483445*.

The M35 and M44 variable motors feature a trunnion style swashplate and direct displacement control. The M46 variable motors use a cradle swashplate design and a two-position hydraulic servo control.

The M46 variable motor is available in a cartridge flange version, which is designed to be compatible with CW and CT compact planetary gearboxes. This combination provides a short final drive length for applications with space limitations.

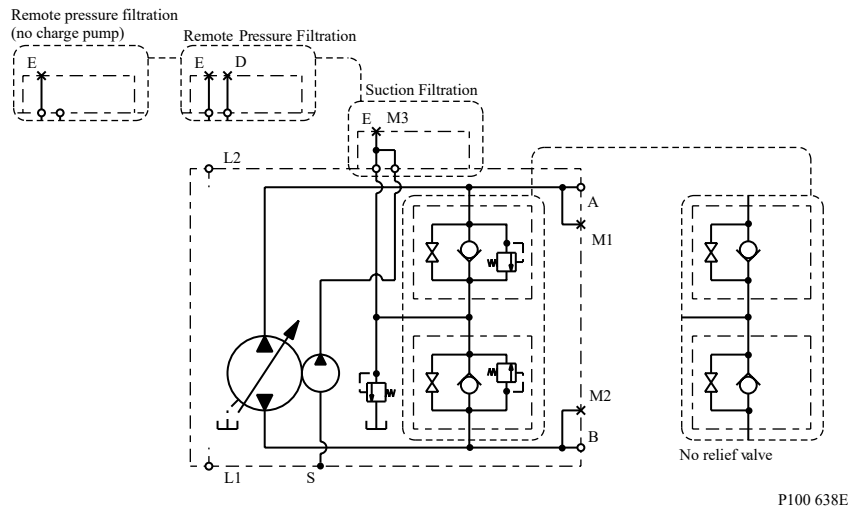
M35 Variable Pump (M44 is similar)



A variable pump is shown in a hydraulic circuit with a fixed motor. The pump shown features manual displacement control. The circuit features suction filtration and heat exchanger.

General Information

M35/44 Pump Schematic



Features and Options

Key Features

- 3 sizes of variable displacement pumps
- 3 sizes of tandem pumps
- 3 sizes of variable displacement motors
- 2 sizes of fixed displacement motors
- Efficient axial piston design
- Proven reliability and performance
- Compact, lightweight
- Worldwide sales and service

Options

High Pressure Relief Valve (HPRV) - A high pressure relief valve limits the system pressure to protect the system from over-pressure.

Charge Relief Valve - The charge pressure relief valve regulates charge pressure.

Displacement Limiters - Optional displacement limiters allow maximum displacement adjustment to allow for fine tuning of the propel system.

Auxiliary Mounting Pads - Several auxiliary mounting pad options allow for adding a second pump.

Input Shafts - Straight keyed, tapered keyed, and several splined shaft options are available.

Operating Parameters

Fluids

Ratings and performance data are based on operating with premium hydraulic fluids containing oxidation, rust, and foam inhibitors. These include premium turbine oils, API CD engine oils per SAE J183, M2C33F or G automatic transmission fluids (ATF), Dexron II (ATF) meeting Allison C-3 or Caterpillar T0-2 requirements, and certain specialty agricultural tractor fluids. For more information on hydraulic fluid selection, see Danfoss publications: *Hydraulic Fluids and Lubricants, Technical Information, BC152886484524* and, *Experience with Biodegradable Hydraulic Fluids, Technical Information, 520L465*.

Viscosity

Maintain fluid viscosity within the recommended range for maximum efficiency and bearing life. Minimum viscosity is acceptable only during brief occasions of maximum ambient temperature and severe duty cycle. Maximum viscosity is acceptable only at cold start: Limit speeds until the system warms up. See Danfoss publications: *Hydraulic Fluids and Lubricants, Technical Information, BC152886484524*, and *Experience with Biodegradable Hydraulic Fluids, Technical Information, 520L465*.

Fluid viscosity limits

Condition	mm ² /s (cSt)	SUS
Minimum	7	47
Continuous	12-60	70-278
Maximum	1600	7500

Temperature

Maintain fluid temperature within the limits shown in the table. **Minimum temperature** relates to the physical properties of the component materials. Cold oil will not affect the durability of the motor components. However, it may affect the ability of the motor to transmit power. **Maximum temperature** is based on material properties: Don't exceed it. Measure maximum temperature at the hottest point in the system. This is usually the case drain.

[Ensure fluid temperature and viscosity limits are concurrently satisfied.](#)

Temperature limits

Minimum (intermittent, cold start)	- 40° C [- 40° F]
Continuous	82.2° C [180° F]
Maximum	104.4° C [220° F]

Charge Pressure

All systems require a charge (positive pressure) in the low side of the system loop for proper lubrication and rotating group operation. Maintain low loop (charge) pressure at a minimum of 6 bar [87 psi] above case pressure.

Case Pressure

Maintain case pressure within the limits shown in the table. Ensure housing is filled with hydraulic fluid.

Case pressure limits

Maximum (continuous)	1.7 bar [25 psi]
Intermittent (cold start)	5.2 bar [75 psi]

Operating Parameters

Caution

Operating outside of charge and case pressure limits will damage the pump. To minimize this risk, use full size inlet and case drain plumbing, and limit line lengths.

Pressure Ratings

System pressure is the differential pressure between high pressure system ports. It is the dominant operating variable affecting hydraulic unit life. High system pressure, which results from high load, reduces expected life. Hydraulic unit life depends on the speed and normal operating, or weighted average, pressure that can only be determined from a duty cycle analysis.

Application pressure is the high pressure relief or pressure limiter setting normally defined within the order code of the pump. This is the applied system pressure at which the driveline generates the maximum calculated pull or torque in the application.

Maximum Working pressure is the highest recommended application pressure. Maximum working pressure is not intended to be a continuous pressure. Propel systems with application pressures at, or below, this pressure should yield satisfactory unit life given proper component sizing.

Maximum pressure is the highest allowable application pressure under any circumstance. Application pressures above maximum working pressure will only be considered with duty cycle analysis and factory approval.

Minimum low loop pressure must be maintained under all operating conditions to avoid cavitation.

All pressure limits are differential pressures referenced to low loop (charge) pressure. Subtract low loop pressure from gauge readings to compute the differential.

Speed Ratings

The table, *Operating Parameters* in the *Specifications* section, gives rated and maximum speeds for each displacement. Not all displacements operate under the same speed limits. Definitions of these speed limits appear below.

Continuous speed is the maximum recommended operating speed at full power condition. Operating at or below this speed should yield satisfactory product life. Do not exceed maximum motor speed during unloaded, on-road travel over level ground.

Maximum speed is the highest operating speed permitted. Exceeding maximum speed reduces pump life and can cause loss of hydrostatic power and braking capacity. Never exceed the maximum speed limit under any operating conditions.

Warning

Unintended vehicle or machine movement hazard.

The loss of hydrostatic drive line power, in any mode of operation (forward, neutral, or reverse) may cause the system to lose hydrostatic braking capacity. You must provide a braking system, redundant to the hydrostatic transmission, sufficient to stop and hold the vehicle or machine in the event of hydrostatic drive power loss.

Inlet Pressure

Achieving acceptable pump life and performance requires proper charge pump inlet design. A **continuous inlet pressure** of not less than 0.8 bar abs. (not more than 6.3 in. Hg vac.) is recommended. Normal pressure less than the **minimum inlet pressure** of 0.7 bar abs. (greater than 9.2 in. Hg vac.) indicates inadequate inlet design or a restricted filter. Pressures less than 0.7 bar abs. (greater than 9.2 in. Hg vac.) during cold start are possible, but should improve quickly as the fluid warms.

Operating Parameters

Inlet pressure

	bar absolute	in. Hg vacuum
Continuous	0.8	6
Minimum	0.7	9.2 (max)

Theoretical Output

The theoretical maximum flow at rated speed is a simple function of pump displacement and speed. This is a good gauge for sizing a companion motor. This does not take into account losses due to leakage or variations in displacement.

System Design Parameters

Sizing Equations

Use these equations to help choose the right pump size and displacement for your application.

Based on SI units

Flow Output flow $Q = \frac{V_g \cdot n \cdot \eta_v}{1000}$ (l/min)

Torque Input torque $M = \frac{V_g \cdot \Delta p}{20 \cdot \pi \cdot \eta_m}$ (N·m)

Power Input power $P = \frac{M \cdot n \cdot \pi}{30\,000} = \frac{Q \cdot \Delta p}{600 \cdot \eta_t}$ (kW)

Based on US units

Output flow $Q = \frac{V_g \cdot n \cdot \eta_v}{231}$ (US gal/min)

Input torque $M = \frac{V_g \cdot \Delta p}{2 \cdot \pi \cdot \eta_m}$ (lbf·in)

Input power $P = \frac{M \cdot n \cdot \pi}{198\,000} = \frac{Q \cdot \Delta p}{1714 \cdot \eta_t}$ (hp)

Variables

SI units [US units]

V_g = Displacement per revolution cm^3/rev [in^3/rev]

p_o = Outlet pressure bar [psi]

p_i = Inlet pressure bar [psi]

Δp = $p_o - p_i$ (system pressure) bar [psi]

n = Speed min^{-1} (rpm)

η_v = Volumetric efficiency

η_m = Mechanical efficiency

η_t = Overall efficiency ($\eta_v \cdot \eta_m$)

Filtration

Ensure fluid entering pump is free of contaminants to prevent damage (including premature wear) to the system. Series 40 pumps require system filtration capable of maintaining fluid cleanliness at ISO 4406-1999 class 22/18/13 or better.

Consider these factors when selecting a system filter:

- Cleanliness specifications
- Contaminant ingress rates
- Flow capacity
- Desired maintenance interval

Locate filter either on the inlet (suction filtration) or discharge (charge pressure filtration) side of the charge pump. Series 40 pumps are available with provisions for either strategy.

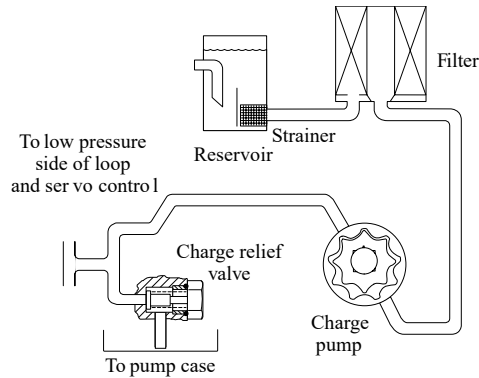
Typically, a filter with a beta ratio of $\beta_{10} = 1.5$ to 2.0 is adequate. However, open circuit systems supplied from a common reservoir may have considerably higher requirements. Because each system is unique, only a thorough testing and evaluation program can fully validate the filtration system. For more information, see Danfoss publication *Design Guidelines for Hydraulic Fluid Cleanliness*, **BC152886482150**.

Suction filtration

The suction filter is placed in the circuit between the reservoir and the inlet to the charge pump as shown in the accompanying illustration.

System Design Parameters

Suction filtration



P100 588E

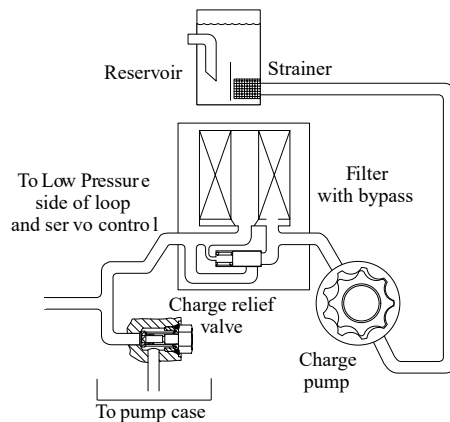
Charge filtration

Provision for charge pressure filtration is available on all Series 40 pumps. The pressure filter is remotely mounted in the circuit after the charge pump, as shown in the accompanying illustration.

Filters used in charge pressure filtration circuits must be rated to at least 34.5 bar [500 psi] pressure. A 100 - 125 µm screen located in the reservoir or in the charge inlet line is recommended when using charge pressure filtration.

A filter bypass valve is necessary to prevent filter damage and to avoid contaminants from being forced through the filter media by high pressure differentials across the filter. In the event of high pressure drop associated with a blocked filter or cold start-up conditions, fluid will bypass the filter. Avoid working with an open bypass for an extended period. We recommend a visual or electrical bypass indicator. Proper filter maintenance is mandatory.

Charge filtration



P106 102E

Redundant Braking System Requirement

⚠ Warning

Unintended vehicle or machine movement hazard.

The loss of hydrostatic drive line power, in any mode of operation (forward, neutral, or reverse) may cause the system to lose hydrostatic braking capacity. You must provide a braking system, redundant to the hydrostatic transmission, sufficient to stop and hold the vehicle or machine in the event of hydrostatic drive power loss.

System Design Parameters

Loop Flushing

Closed circuit systems may require loop flushing to meet temperature and cleanliness requirements. A loop flushing valve removes hot fluid from the low pressure side of the system loop for additional cooling and filtering. Ensure the charge pump provides adequate flow for loop flushing and the loop flushing valve does not cause charge pressure to drop below recommended limits.

Reservoir

The reservoir provides clean fluid, dissipates heat, and removes entrained air from the hydraulic fluid. It allows for fluid volume changes associated with fluid expansion and cylinder differential volumes. Minimum reservoir capacity depends on the volume needed to perform these functions. Typically, a capacity of one half the charge pump flow (per minute) is satisfactory for a closed reservoir. Open circuit systems sharing a common reservoir require greater fluid capacity.

Locate the reservoir outlet (suction line) near the bottom, allowing clearance for settling foreign particles. Use a 100 - 125 μm screen covering the outlet port.

Place the reservoir inlet (return lines) below the lowest expected fluid level, as far away from the outlet as possible.

Use a baffle (or baffles) between the reservoir inlet and outlet ports to promote de-aeration and reduce fluid surging.

Case Drain usage for Tandem Pumps

On tandem pumps, excess flow from the charge relief valve is routed into the housing of the front pump. In order to ensure adequate case flushing, it is recommended that the rear housing drain ports be used as the case drain.

M43/M44 tandem pumps with the option of opposing port endcaps do not follow the above rule.

Bearing Life and External Shaft Loading

Bearing life is a function of speed, pressure and swashplate angle plus any external loads. Other life factors include oil type and viscosity.

In vehicle propulsion drives with no external loads, where the speed, pressure, and swashplate angle are often changing, normal bearing B10 (90% survival) life will exceed the hydraulic unit life.

In non-propel drives, such as conveyors or fan drives, the operating speed and pressure may be nearly constant leading to a distinctive duty cycle compared to that of a propulsion drive. In these types of applications, a bearing life review is recommended.

Series 40 pumps are designed with bearings that can accept some incidental external radial and thrust loads. However, any amount of external load will reduce the expected bearing life.

The allowable radial shaft loads are a function of the load position, the load orientation, and the operating pressures of the hydraulic unit. All external shaft loads have an effect on bearing life. In applications where external shaft loads cannot be avoided, the impact on bearing life can be minimized by orienting the load to the 90 or 270 degree position.

The **maximum allowable radial loads** (R_e), based on the **maximum external moment** (M_e) and the distance (L) from the mounting flange to the load, may be determined from the tables below and drawings on the next page .

The maximum allowable radial load is calculated as: $R_e = M_e / L$

Avoid thrust loads in either direction.

If continuously applied external radial loads are 25% or more of the maximum allowable, or thrust loads are known to occur, contact your Danfoss representative for an evaluation of unit bearing life. Optional high capacity bearings are available.

System Design Parameters

Tapered output shafts or clamp-type couplings are recommended for applications where radial shaft side loads are present.

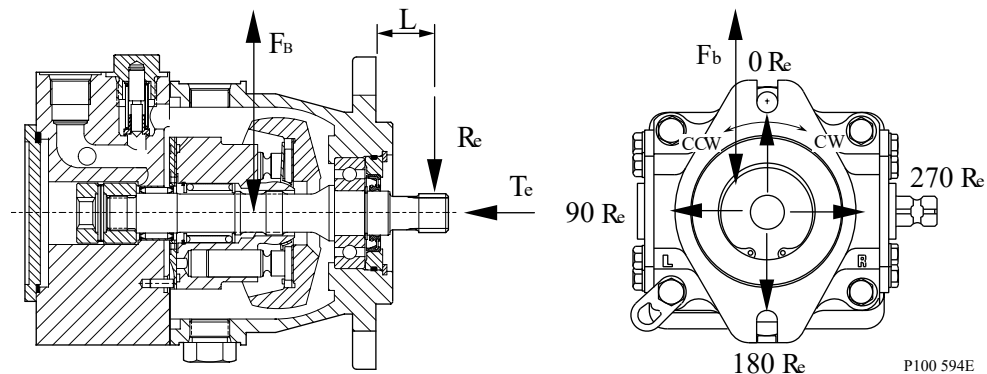
Shaft loading parameters

R_e	Maximum radial load
M_e	Maximum external moment
L	Distance from mounting flange to point of load
F_e	Force of cylinder block
T_e	Thrust load

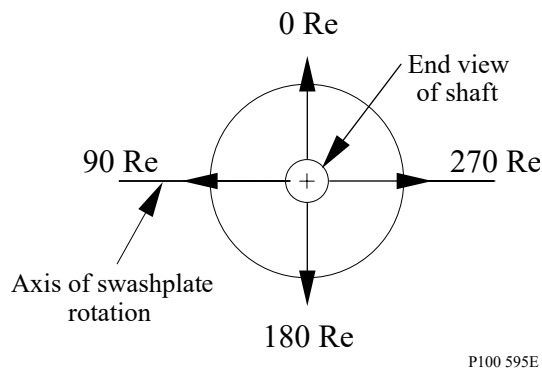
Maximum external shaft moments

	M35/44
$M_e/N\cdot m$ [in·lbf]	121 [1075]

180° External radial shaft load



Direction of external shaft load



Hydraulic Unit Life

Hydraulic unit life is defined as the life expectancy of the hydraulic components. It is a function of speed and system pressure; however, system pressure is the dominant operating variable. High pressure, which results from high load, reduces expected life.

Design the hydraulic system to a projected machine duty cycle. Know the expected percentages of time at various loads and speeds. Ask your Danfoss representative to calculate an appropriate pressure based your hydraulic system design. If duty cycle data is not available, input power and pump displacement are used to calculate system pressure.

System Design Parameters

All pressure limits are differential pressures (referenced to charge pressure) and assume normal charge pressure.

Series 40 pumps will meet satisfactory life expectancy if applied within the parameters specified in this bulletin. For more detailed information on hydraulic unit life see *Pressure and Speed Limits*, **BC152886484313**.

Mounting Flange Loads

Shock load moment is the result of an instantaneous jolt to the system. **Continuous load moments** are generated by the typical vibratory movement of the application. Avoid excessive loading of the mounting flange such as adding tandem mounted auxiliary pumps and/or subjecting pumps to high shock loads. Design pump applications to stay within the allowable shock load moment and allowable continuous load moment.

Use the following formulas to estimate overhung load moment for multiple pump mountings:

$$M_s = G_s (W_1 L_1 + W_2 L_2 + \dots + W_n L_n)$$

$$M_c = G_c (W_1 L_1 + W_2 L_2 + \dots + W_n L_n)$$

Refer to the *Installation Drawings* section to find pump length (L). Refer to the table *Technical Specifications* in the *Specifications* section, to find pump weight (W). An exact measure of W will depend on the pump's features.

The tables below show allowable overhung load moment values. If system parameters exceed these values add additional pump support.

Estimated maximum and continuous acceleration factors for some typical Series 40 applications are shown. Applications which experience extreme resonant vibrations may require additional pump support. Typical continuous (vibratory) values can vary significantly due to changes in engine and pump configuration and mounting methods.

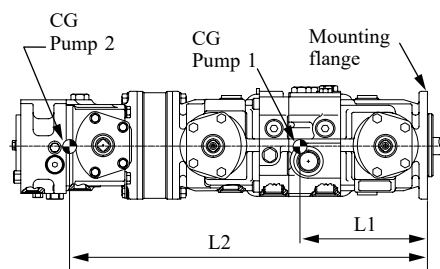
Overhung loading parameters

M_s	Shock load moment
M_c	Continuous load moment
G_s	Maximum shock acceleration (Gs)
G_c	Continuous (vibratory) acceleration (Gs)
W_n	Weight of nth pump
L_n	Distance from mounting flange to center of gravity of nth pump

Allowable overhung parameters

Frame size	Continuous load moment (M _c)		Shock load moment (M _s)	
	N•m [in•lbf]		N•m [in•lbf]	
M35 PV	517	[4600]	832	[7400]
M35 PT	517	[4600]	754	[6700]

Shaft loading parameters



P100 596E

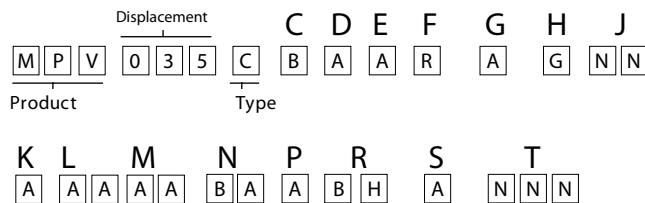
System Design Parameters*G-factors for sample applications*

Application	Continuous (vibratory) acceleration (G_c)	Maximum (shock) acceleration (G_s)
Skid steer loader	4	10
Trencher (rubber tires)	3	8
Asphalt paver	2	6
Windrower	2	5
Aerial lift	1.5	4
Turf care vehicle	1.5	4
Vibratory roller	6	10
* Applications which experience extreme resonant vibrations require addition pump support.		

Model Code

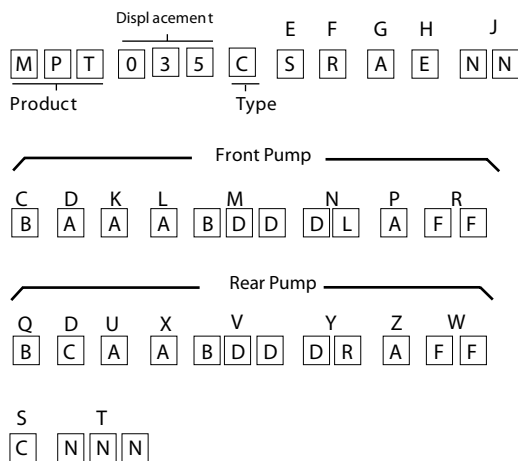
Model Code

Model code modules



- C: Swashplate group
- D: Seal group
- F: Rotation
- E: Input shaft
- G: Charge pump displacement
- H: Charge pressure relief setting
- J: Filtration
- K: Displacement limiters
- L: Bypass valve
- M: System pressure protection
- N: Control
- P: Control handle position
- R: Control orifice diameters
- S: Auxiliary mounting pad
- T: Special hardware

Model code modules



- E: Input shaft
- F: Rotation
- G: Charge pump displacement
- H: Charge pressure relief setting

Model Code

- J: Filtration
- C & Q: Swashplate
- D: Seal group
- K & U: Displacement
- L & X: Bypass valve
- N & Y: Control
- M & V: System pressure protection
- P & Z: Control handle position
- R & W: Control orifice
- S: Auxiliary mounting flange
- T: Special hardware

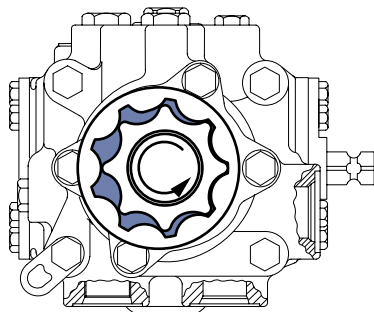
Options

Charge Pump

Charge flow is required on all Series 40 units applied in closed circuit installations to make up for internal leakage, maintain positive pressure in the main circuit, provide flow for cooling, replace any leakage losses from external valving or auxiliary systems, and on M46 units, to provide flow and pressure for the control system.

Maintain rated charge pressure under all conditions of operation to prevent damage to the transmission.

Charge pump in series 40 - M35 PV



P100 589E

All Series 40 pumps may be equipped with integral charge pumps. These charge pump sizes have been selected to meet the needs of a majority of Series 40 applications.

Many factors influence the charge flow requirements and the resulting charge pump size selection. These factors include system pressure, pump speed, pump swashplate angle, type of fluid, temperature, size of heat exchanger, length and size of hydraulic lines, control response characteristics, auxiliary flow requirements, hydraulic motor type, etc. In most Series 40 applications a general guideline is that the charge pump displacement should be equal to or greater than 10% of the total displacement of all units in the system.

The total charge flow requirement is the sum of the charge flow requirements of each of the components in the system. Use the information provided on the following pages to make a charge pump selection for a given application.

System features and conditions that may invalidate the *10% of displacement rule* include (but are not limited to):

- Operation at low input speeds (below 1500 RPM)
- Shock loading
- Excessively long system lines
- Auxiliary flow requirements
- Use of low speed high torque motors

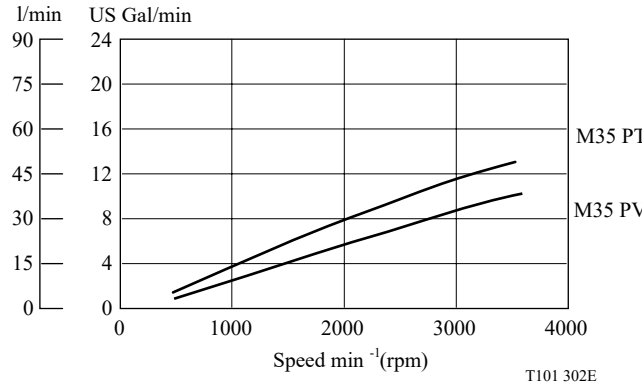
If a charge pump of sufficient displacement to meet the 10% of displacement rule is not available or if any of the above conditions exist which could invalidate the 10% rule, contact your Danfoss representative. A charge pump sizing worksheet is available in *Selection of Driveline Components*, **BC157786484430**.

Series 40 pumps are also available without charge pumps. When an integral charge pump is not used, an external charge supply is required to ensure adequate charge pressure and cooling.

Options

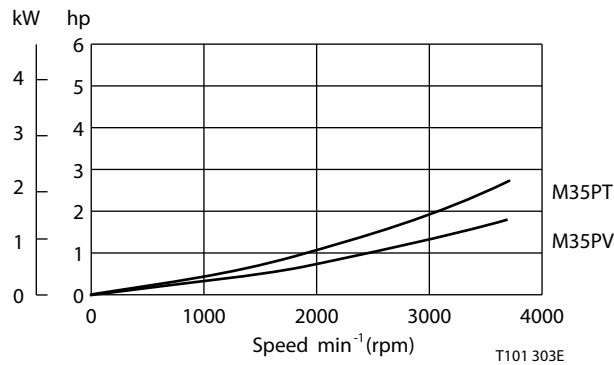
Charge Pump Output Flow

Flow at standard charge relief setting, 70°C [160°F] inlet



Charge Pump Power Requirements

Power at standard charge relief setting, 70°C [160°F] inlet



Charge Relief Valve

An integral charge pressure relief valve provides a relief outlet for charge pressure. This valve, in effect, sets charge pressure. Flow through the valve is ported to case.

The charge relief valve for the M35 and M44 PV/PT is a flat poppet style valve.

The nominal charge relief setting is referenced to case pressure. It is factory set at 1800 min⁻¹ (rpm) with the pump in neutral position. A proper charge relief setting takes into account input speeds and control requirements.

The charge pressure setting for pumps without an internal charge pump is set with an externally supplied charge flow of 19 l/min [5 US gal/min] on pumps and 38 l/min [10 US gal/min] on tandem pumps. These units must have adequate charge flow supplied to the charge inlet in order to maintain charge pressure at all times.

Incorrect charge pressure settings may result in the inability to build required system pressure and/or inadequate loop flushing flows. Ensure correct charge pressure under all conditions of operation to maintain pump control performance.

The charge relief valve is factory set. If necessary, it can be field adjusted with shims.

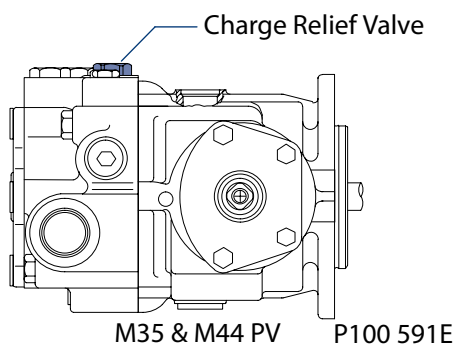
Options

Charge relief valve specs

	M35	M44
Type	Flat poppet valve	
Available setting	6.2-24 bar [90-348 psi]	6.2-28.3 bar [90-410 psi]
Adjustment	Via shims inside of valve cartridge*	

* Shimming offers adjustment over a limited range, a spring change may be required to make a larger adjustment.

Charge relief valve locations



Charge Check/High Pressure Relief Valve (HPRV)

Charge check and high pressure relief valves maintain circuit pressure in the proper range. The check valves allow charge flow to replenish the low pressure side of the working loop. The high pressure relief valves provide pressure protection to the high pressure side of the working loop. There are two cartridge style valves to handle each side of the working loop with flow in either direction.

High pressure relief valves are available in a range of settings. You may specify individual port pressure settings. If high pressure relief valves are not desired, pumps may be equipped with charge circuit check valves only.

Caution

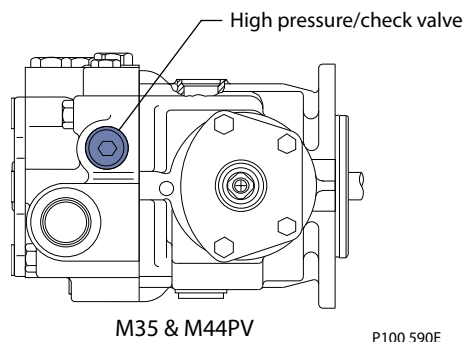
High pressure relief valves are intended for transient overpressure protection and are not intended for continuous pressure control. Flow over relief valves for extended periods of time may result in severe heat build up. High flows over relief valves may result in pressure levels exceeding the nominal valve setting and potential damage to system components.

Check/high relief valve specs

Type	Cartridge-style poppet valve
Setting	140-345 bar (2030-5000 psi)
Option	Check only - no relief valve

Options

High pressure relief valve locations



Auxiliary Mounting Pads and Auxiliary Pumps

Auxiliary mounting pads are available on all Series 40 pumps. A sealed cover is included as standard equipment on all mounting pads.

An O-ring seals the auxiliary pump mounting flange to the pad. The drive coupling is lubricated with oil from the main pump case.

Spline specifications and torque ratings are shown in the accompanying table.

- All auxiliary mounting pads meet SAE J744 specifications.
- Do not exceed the maximum pump input shaft rating.
- Applications subject to severe vibratory or high G loading require an additional structural support. This is necessary to prevent leaks and possible mounting flange damage. Refer to *Mounting Flange Loads* in the *System Design Parameters* section for additional information.

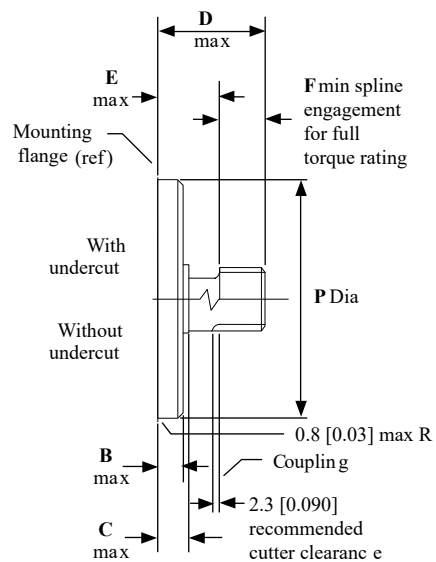
Auxiliary mounting pad specs

Internal spline size	Pad size	Torque rating			Availability	
			N•m	[in • lbf]	M35	M44
9T 16/32P	SAE A	Continuous: Max:	51 107	[450] [950]	m	m
11T 16/32P	SAE A	Continuous: Max:	90 147	[800] [1300]	m	m
13T 16/32P	SAE B	Continuous: Max:	124 248	[1100] [2200]	m	m

The drawing and table below show the dimensions of the auxiliary pump mounting flanges and shafts. Auxiliary pump mounting flanges and shafts with the dimensions noted are compatible with the auxiliary mounting pads on the Series 40 pumps.

Options

Auxiliary pump mating dimensions mm [in.]

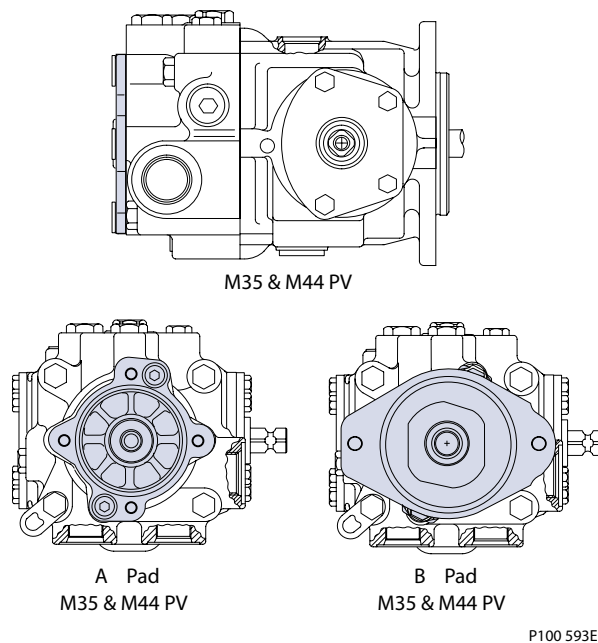


P100 636E

Pad size	P	B	C	D	E	F
SAE A	82.55 [32.50]	6.35 [0.250]	12.70 [0.500]	58.2 [2.29]	15.0 [0.59]	13.5 [0.53]
SAE B	101.60 [4.000]	9.65 [0.380]	15.2 [0.60]	53.1 [2.09]	17.5 [0.69]	14.2 [0.56]

Options

Auxiliary mounting pads on Series 40 pumps



Shaft Options

Series 40 pumps are available with a variety of splined, straight keyed, and tapered shaft ends. Nominal shaft sizes and torque ratings are shown in the table on the next page.

Torque ratings assume no external radial loading. **Continuous torque** ratings for splined shafts are based on splined tooth wear, and assume the mating spline has a minimum hardness of $R_c 55$ and full spline depth with good lubrication.

Maximum torque ratings are based on shaft torsional strength and assume a maximum of 200,000 load reversals.

Recommended mating splines for Series 40 splined output shafts should be in accordance with ANSIB92.1 Class 5. Danfoss external splines are modified Class 5 Fillet Root Side Fit. The external splined Major Diameter and Circular Tooth Thickness dimensions are reduced in order to assure a clearance fit with the mating spline. Other shaft options may exist. Contact your Danfoss representative for availability.

Options

M35/44 Variable Pump

Code	Description	Torque rating		Drawing
		Maximum torque rating N•m [lbf•in]	Continuous torque rating N•m [lbf•in]	
Y	Ø 22.20 mm [0.874 in] Straight keyed	226 [2000]	—	
A	13-tooth 16/32 pitch (ANSI B92.1 1970 - Class 5)	226 [2000]	124 [1100]	
G	15-tooth 16/32 pitch (ANSI B92.1 1970 - Class 5)	362 [3200]	153 [1350]	
N	Ø 25.4 mm [1.000 in] 1:8 taper (SAE J501)	497 [4400]	—	

Options

M35/44 Tandem Pump

Code	Description	Torque rating		Drawing																		
		Maximum torque rating N·m [lbf·in]	Continuous torque rating N·m [lbf·in]																			
A	15-tooth 16/32 pitch (ANSI B92.1 1970 - Class 5)	362 [3200]	153 [1350]	<table border="1"> <thead> <tr> <th>Shaft option</th> <th>Shaft dia. T</th> <th>Full spline U</th> <th>Major dia. V</th> <th>Pitch dia. W</th> <th>No. teeth Y</th> </tr> </thead> <tbody> <tr> <td>G</td> <td>21.97 [0.865]</td> <td>39.4 [1.55]</td> <td>24.89 [0.9800]</td> <td>23.812 [0.9375]</td> <td>15</td> </tr> <tr> <td>A</td> <td>21.97 [0.865]</td> <td>18.5 [0.73]</td> <td>24.89 [0.9800]</td> <td>23.812 [0.9375]</td> <td>15</td> </tr> </tbody> </table>	Shaft option	Shaft dia. T	Full spline U	Major dia. V	Pitch dia. W	No. teeth Y	G	21.97 [0.865]	39.4 [1.55]	24.89 [0.9800]	23.812 [0.9375]	15	A	21.97 [0.865]	18.5 [0.73]	24.89 [0.9800]	23.812 [0.9375]	15
Shaft option	Shaft dia. T	Full spline U	Major dia. V		Pitch dia. W	No. teeth Y																
G	21.97 [0.865]	39.4 [1.55]	24.89 [0.9800]	23.812 [0.9375]	15																	
A	21.97 [0.865]	18.5 [0.73]	24.89 [0.9800]	23.812 [0.9375]	15																	
G	15-tooth 16/32 pitch (ANSI B92.1 1970 - Class 5)	362 [3200]	153 [1350]																			
C	Ø 25.4 mm [1.000 in] 1:8 taper (SAE J501)	497 [4400]	—																			
F	14-tooth 12/24 pitch (ANSI B92.1-1996 Class 5)	499 [4416]	488 [4416]	<p>Input shaft option "F"</p>																		

Options

Direct Displacement Control (DDC)

The Direct Displacement Control (DDC) can be located on either side of a Series 40 - M35, or M44 pump. It provides a simple, positive method of control. Movement of the control shaft causes a proportional swashplate movement, thus varying the pump's displacement from full displacement in one direction to full displacement in the opposite direction.

Some applications (generally vehicle propel) require a provision for non-linear control input to reduce control sensitivity near neutral. Damping or frictional forces may be necessary to produce desirable control feel.

Neutral position is not factory set, nor is there any internal neutral return mechanism. The application must include provisions for all control linkage and neutral return functionality.

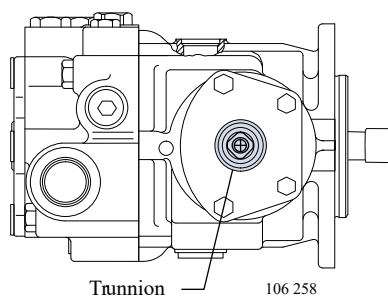
With no external forces applied to the swashplate trunnion, internal hydraulic forces may not return the swashplate to the neutral position under all conditions of operation.

The DDC is available on variable pumps and tandem pumps.

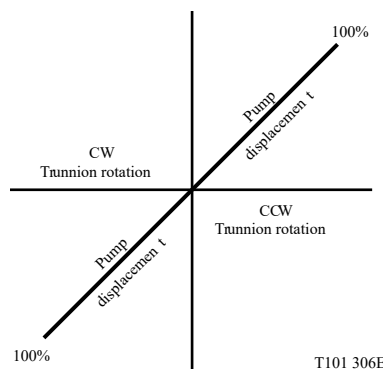
External control handle requirements

Maximum allowable trunnion torque is 79.1 N·m [700 in·lbf] for M35, and M44. Minimum torque necessary to hold the swashplate at a zero angle for neutral is 2.3 N·m [20 in·lbf]. Maximum trunnion angle is 16° for M35 and M44.

DDC on Left Side of M35 Pump



Pump Displacement vs Swashplate Rotation



DDC input specs

Max torque Nm [in·lbf]	79.1	[700]
Min torque Nm [in·lbf]	2.3	[20]
Max angle	M35/44: 16°	

Options

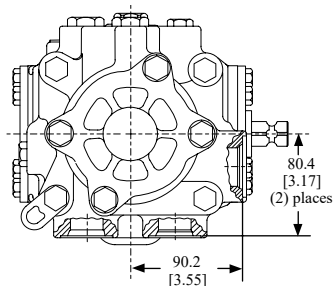
Pump flow direction

Input shaft rotation		CW				CCW			
Trunnion location		Right		Left		Right		Left	
Trunnion rotation		CW	CCW	CW	CCW	CW	CCW	CW	CCW
PV or front PV	Port A Flow	Out	In	In	Out	In	Out	Out	In
	Port B Flow	In	Out	Out	In	Out	In	In	Out
Rear PT	Port C (A) Flow	In	Out	Out	In	Out	In	In	Out
	Port D (B) Flow	Out	In	In	Out	In	Out	Out	In

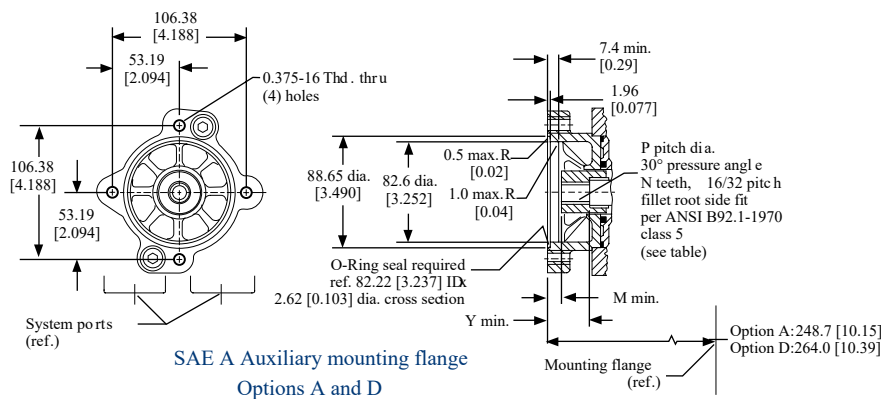
Installation Drawings

M35/44 Variable Pump

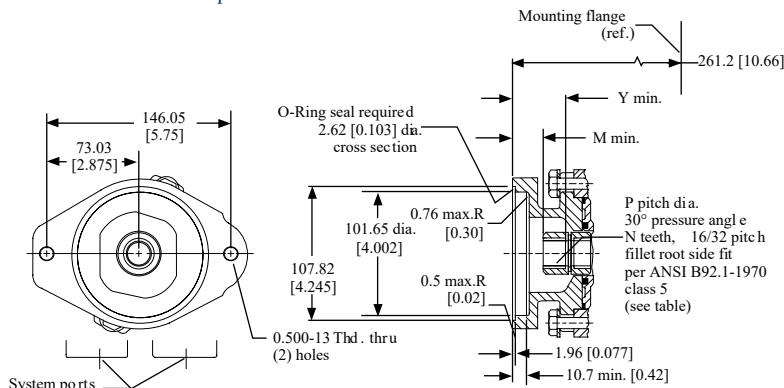
Auxiliary mounting flange



RUNNING COVER



**SAE A Auxiliary mounting flange
Options A and D**



**SAE B Auxiliary mounting flange
Option B**

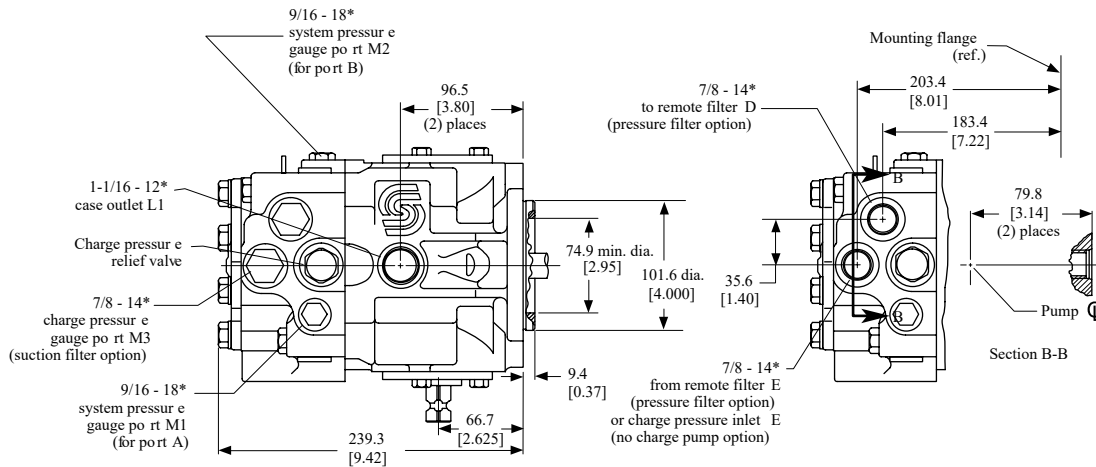
P100 615E

M35/44 PV Auxiliary mounting flange and coupling option

Auxiliary mounting flange		Spline pitch dia. P	No. teeth N	Shaft clearance Y	Coupling clearance M
SAE A	Option A	14.30 [0.563]	9	33.0 [1.30]	9.1 [0.36]
SAE A	Option D	17.46 [0.688]	11	39.1 [1.54]	9.1 [0.36]
SAE B	Option B	20.72 [0.813]	13	42.9 [1.69]	22.3 [0.91]

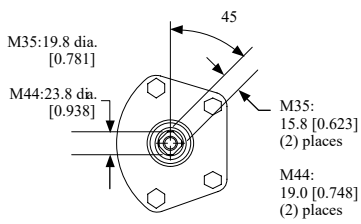
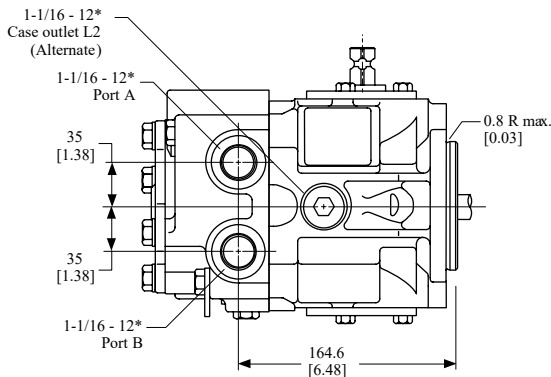
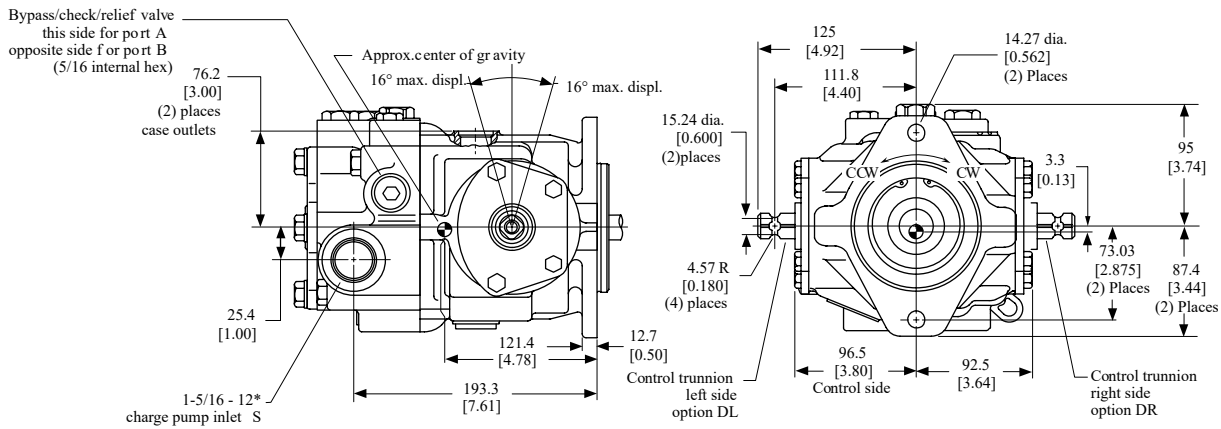
Installation Drawings

Pump, filtration/charge pump option, control



Top view
 Suction filtration

Top view
 Remote filtration or less charge pump



M35 Control trunion detail

P104 614E

*All ports are SAE straight thread o-ring ports per SAE J514, unless otherwise specified.

Shaft rotation is determined by viewing pump from input shaft end.

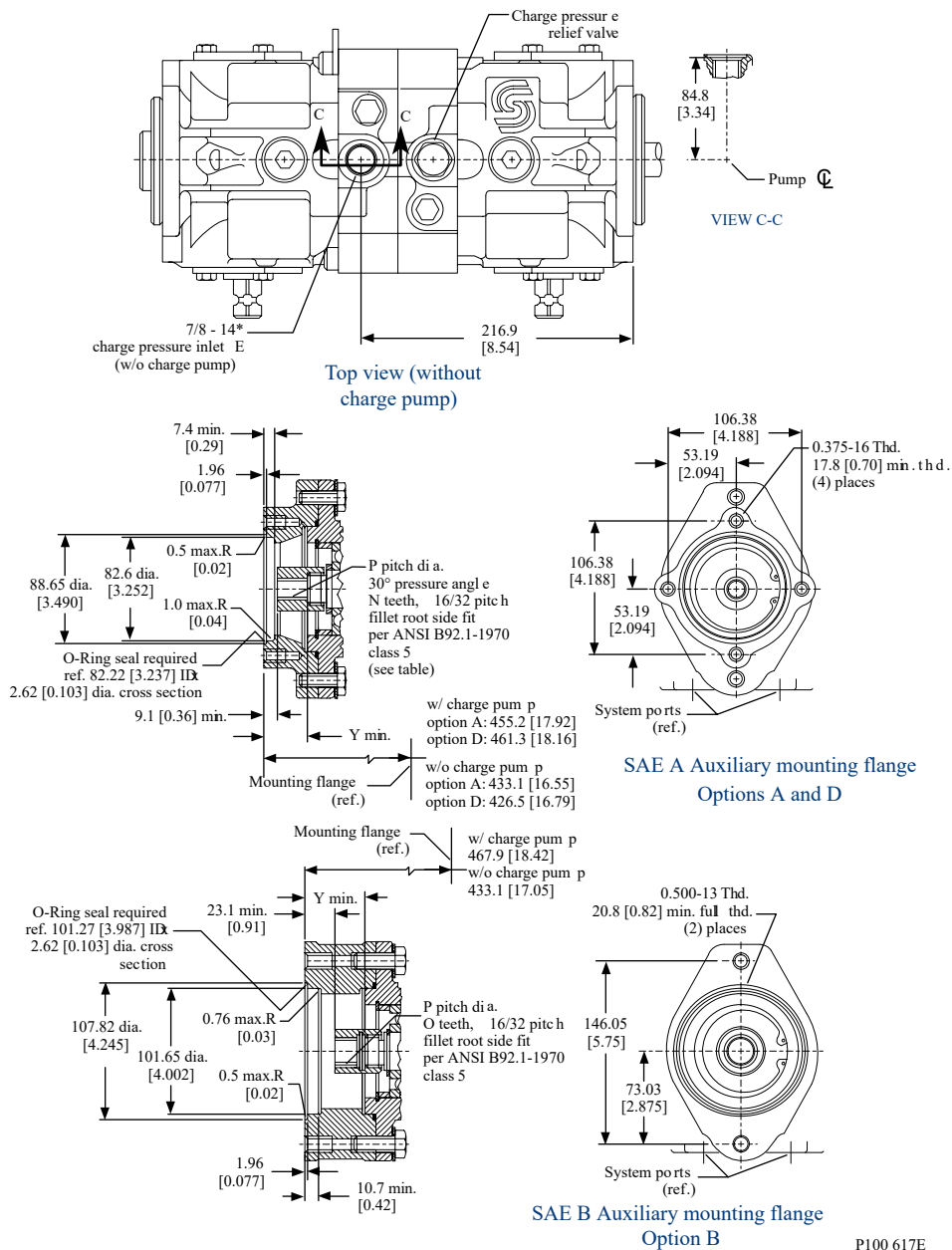
Contact your Danfoss representative for specific installation drawings.

Installation Drawings

Dimensions in mm [in]

M35/44 Tandem Pump

Charge pump options, auxiliary mounting flanges



P100 617E

Installation Drawings

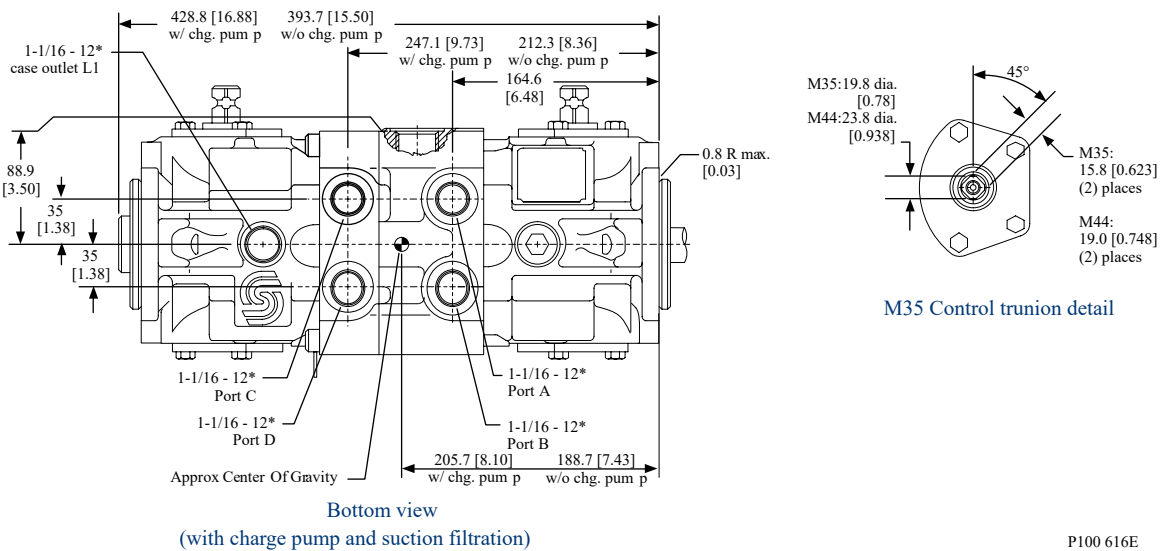
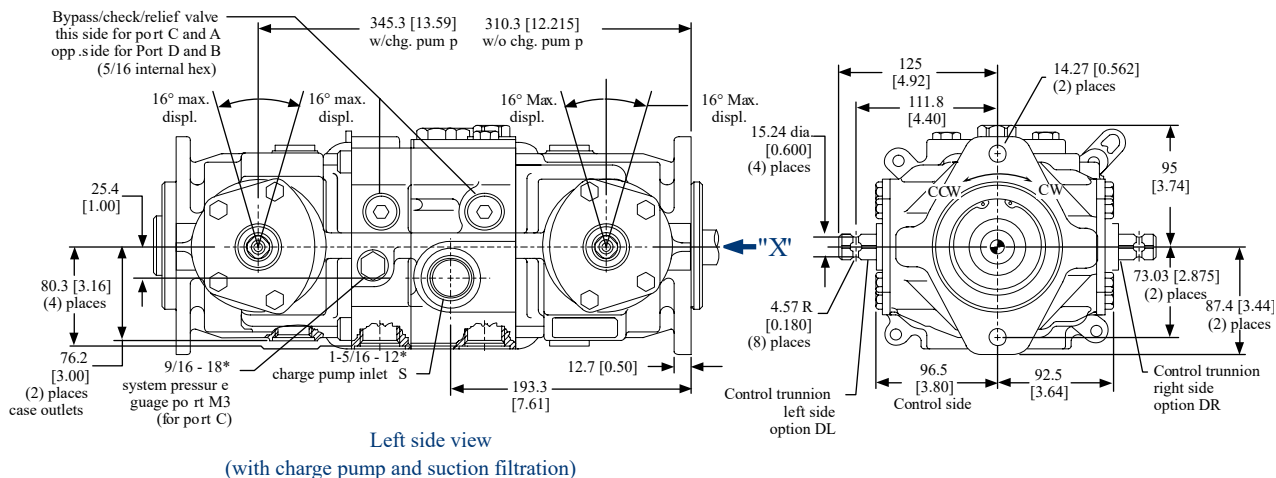
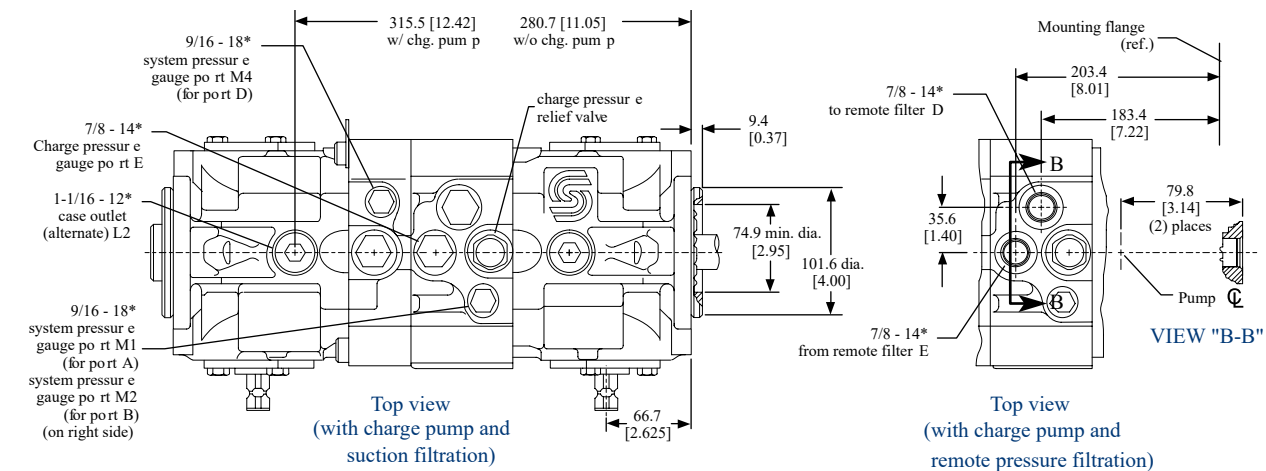
M35/44 PT Auxiliary mounting flange and coupling options

Auxiliary mounting flange		Spline pitch dia. P	No. teeth N	Shaft clearance Y	Coupling clearance M
SAE A	Option A	14.30 [.563]	9	33.0 [1.30]	9.1 [0.36]
SAE A	Option D	17.46 [.688]	11	39.1 [1.54]	9.1 [.36]
SAE B	Option B	20.72 [0.813]	13	42.9 [1.69]	22.3 [0.91]

Technical Information
Series 40 Direct Displacement Pumps

Installation Drawings

Pumps, filtration/charge pump options, control



*All ports are SAE straight thread o-ring ports per SAE J514, unless otherwise specified.
 Shaft rotation is determined by viewing pump from input shaft end.

P100 616E

Installation Drawings

Contact your Danfoss representative for specific installation drawings.

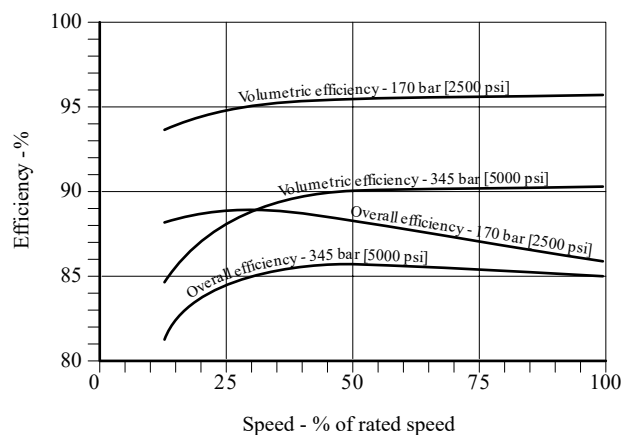
Dimensions in mm [in]

Performance Data

Performance

The following performance graph provides typical volumetric and overall efficiencies for Series 40 pumps. These efficiencies apply for all Series 40 pumps.

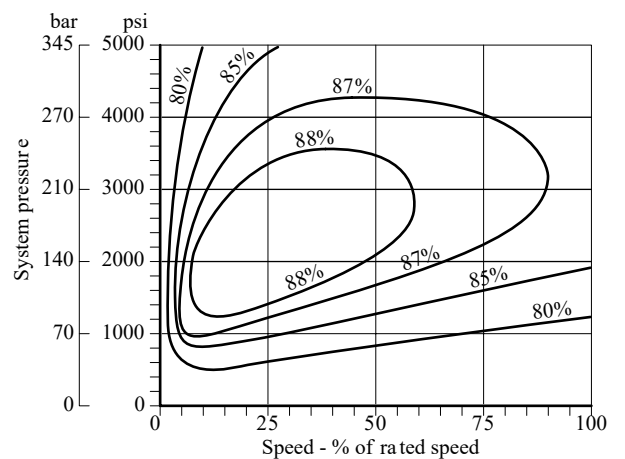
Pump performance as a function of operating speed



T101 304E

The performance map provides typical pump overall efficiencies at various operating parameters. These efficiencies also apply for all Series 40 pumps.

Pump performance as a function of operating speed and system pressure

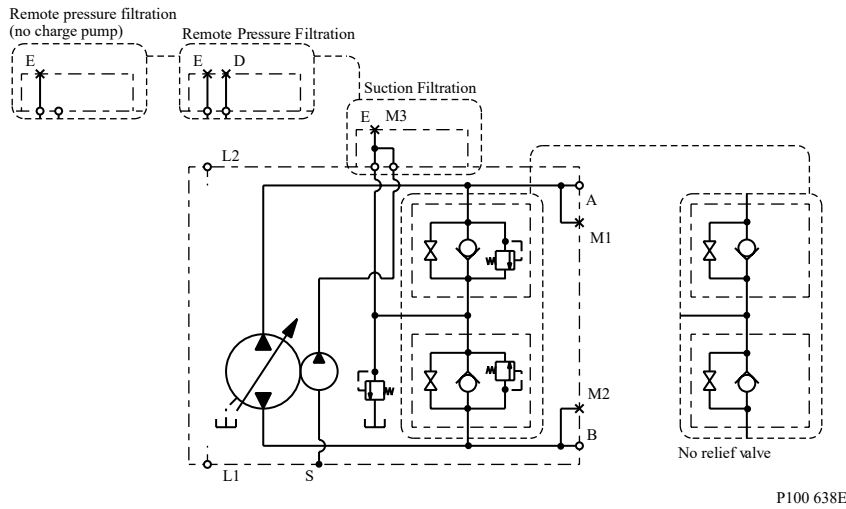


T101 305E

Schematics

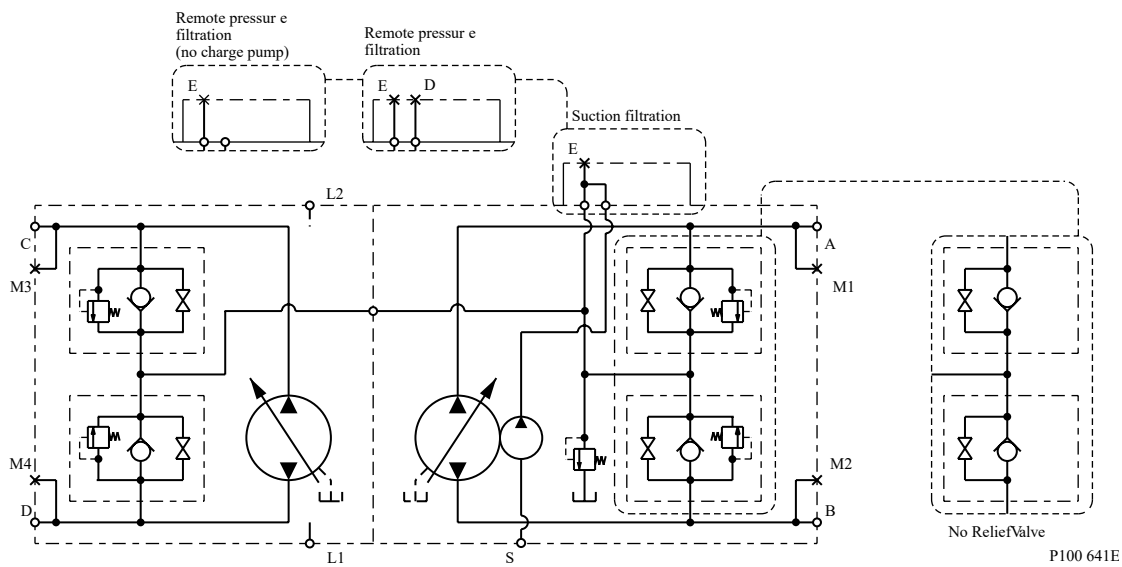
Single Pump Schematics

M35/44 PV



Tandem Pump Schematics

M35/44 PT



Products we offer:

- Cartridge valves
- DCV directional control valves
- Electric converters
- Electric machines
- Electric motors
- Gear motors
- Gear pumps
- Hydraulic integrated circuits (HICs)
- Hydrostatic motors
- Hydrostatic pumps
- Orbital motors
- PLUS+1® controllers
- PLUS+1® displays
- PLUS+1® joysticks and pedals
- PLUS+1® operator interfaces
- PLUS+1® sensors
- PLUS+1® software
- PLUS+1® software services, support and training
- Position controls and sensors
- PVG proportional valves
- Steering components and systems
- Telematics

Danfoss Power Solutions is a global manufacturer and supplier of high-quality hydraulic and electric components. We specialize in providing state-of-the-art technology and solutions that excel in the harsh operating conditions of the mobile off-highway market as well as the marine sector. Building on our extensive applications expertise, we work closely with you to ensure exceptional performance for a broad range of applications. We help you and other customers around the world speed up system development, reduce costs and bring vehicles and vessels to market faster.

Danfoss Power Solutions – your strongest partner in mobile hydraulics and mobile electrification.

Go to www.danfoss.com for further product information.

We offer you expert worldwide support for ensuring the best possible solutions for outstanding performance. And with an extensive network of Global Service Partners, we also provide you with comprehensive global service for all of our components.

Local address:

Hydro-Gear

www.hydro-gear.com

Daikin-Sauer-Danfoss

www.daikin-sauer-danfoss.com

**Danfoss
Power Solutions (US) Company**
2800 East 13th Street
Ames, IA 50010, USA
Phone: +1 515 239 6000

**Danfoss
Power Solutions GmbH & Co. OHG**
Krokamp 35
D-24539 Neumünster, Germany
Phone: +49 4321 871 0

**Danfoss
Power Solutions ApS**
Nordborgvej 81
DK-6430 Nordborg, Denmark
Phone: +45 7488 2222

**Danfoss
Power Solutions Trading
(Shanghai) Co., Ltd.**
Building #22, No. 1000 Jin Hai Rd
Jin Qiao, Pudong New District
Shanghai, China 201206
Phone: +86 21 2080 6201

Danfoss can accept no responsibility for possible errors in catalogues, brochures and other printed material. Danfoss reserves the right to alter its products without notice. This also applies to products already on order provided that such alterations can be made without subsequent changes being necessary in specifications already agreed. All trademarks in this material are property of the respective companies. Danfoss and the Danfoss logotype are trademarks of Danfoss A/S. All rights reserved.