

ENGINEERING
TOMORROW



Operating Guide

iC7-Automation Functional Safety

Frequency Converters, 1.3–1260 A



drives.danfoss.com | **iC7**

Contents

1 Introduction

1.1 Purpose of this Operating Guide	7
1.2 Additional Resources	7
1.3 Abbreviations	7
1.4 Trademarks	8
1.5 Version History	8

2 Safety

2.1 Qualified Personnel for Working with Functional Safety	9
2.2 General Safety Considerations	9

3 Functional Safety for Frequency Converters with STO, Not Upgradable (+BEF1)

3.1 iC7 Functional Safety	10
3.1.1 Overview	10
3.1.2 System Configuration Security	11
3.1.3 Safe Torque Off (STO)	11
3.1.4 STO Activation	11
3.1.5 Automatic/Manual Restart Behavior	11
3.1.6 STO Properties	12
3.1.7 STO Feedback	13
3.2 Installation	14
3.2.1 STO Installation for Frequency Converters with Functional Safety Group 1 (STO - Not Upgradable)	14
3.2.2 Connection Examples	16
3.3 Commissioning	17
3.3.1 Safety Instructions for Commissioning	17
3.3.2 Commissioning Test	17
3.3.2.1 Overview	17
3.3.2.2 Commissioning Test for STO Applications in Manual Restart Mode	18
3.3.2.3 Commissioning Test for STO Applications in Automatic Restart Mode	18
3.4 Operation and Maintenance	19
3.4.1 Functional Tests	19
3.4.1.1 Conducting Functional Tests	19
3.4.1.2 Functional Test Using STO Feedback Signal	19
3.4.1.3 Functional Test without Using STO Feedback Signal	20

3.4.2 Diagnostic Tests	21
3.5 Specifications	22
3.5.1 Functional Safety Standards and Performance	22
3.5.2 Technical Data	23
3.5.3 Operating Conditions	24
3.5.4 Cable Specifications	25
4 Functional Safety for Frequency Converters, Upgradable (+BEF2)	
4.1 Functional Safety Options	26
4.2 Functional Safety System Description	26
4.3 Safety Functions	26
4.3.1 Overview of Frequency Converters with STO and SS1-t (+BEF2)	26
4.3.2 STO Activation	27
4.3.3 Configuring Restart and Acknowledgment Behavior	27
4.3.4 Safety Input Properties	28
4.3.5 STO Feedback	29
4.4 Parameters for Safety Functions	31
4.4.1 Overview of Safety Function Parameters	31
4.4.2 General Functional Safety Parameters	31
4.4.3 Failure Configuration	32
4.4.4 Safe Fieldbus	33
4.4.5 Safe Torque Off (STO)	33
4.4.6 Safe Stop 1 Time-controlled (SS1-t)	34
4.4.7 Saving to Device	36
4.4.8 Validating and Generating a Commissioning Report	36
4.5 Safe Fieldbus	36
4.5.1 PROFIsafe	36
4.5.2 PROFIsafe System	37
4.5.3 PROFIsafe Frame	37
4.5.4 Parameterization for PROFIsafe	38
4.5.5 PROFIsafe Watchdog Time	39
4.5.6 PROFIsafe Safety Function Response Time (SFRT)	40
4.5.7 PROFIdrive on PROFIsafe	41
4.5.8 PROFIsafe Control Word	41
4.5.9 PROFIsafe Status Word	41
4.6 Installation	42

4.6.1	Installation for Frequency Converters with STO, SS1-t, and Safe Fieldbus Support (+BEF2)	42
4.6.2	Connection Examples	44
4.7	Configuration Tools	45
4.7.1	Overview	45
4.7.2	System Configuration Security	45
4.7.3	Preparing for a PC Connection	45
4.7.4	MyDrive® Insight	46
4.7.4.1	Installing MyDrive® Insight	46
4.7.4.2	Backing up and Restoring Parameters	46
4.7.4.3	Performing a Factory Reset	46
4.7.4.4	Updating Software	47
4.8	Commissioning	48
4.8.1	Commissioning Safety	48
4.8.2	Commissioning Test	48
4.8.3	Commissioning Checklist	48
4.8.4	Commissioning Test for Safety Function STO	49
4.8.5	Commissioning Test for Safety Function Safe Stop 1 Time-controlled (SS1-t)	50
4.8.6	Validating and Generating a Commissioning Report	51
4.9	Operation and Maintenance	51
4.9.1	Overview of Functional Tests	51
4.9.2	Diagnostics	52
4.9.3	Installation and Maintenance in High Altitudes	52
4.9.4	Drive Replacement	52
4.10	Troubleshooting	53
4.10.1	Status LEDs	53
4.10.2	Instances of the STO Feedback Signal	53
4.10.3	Safety Function Fault Recovery	53
4.10.4	Event List	54
4.11	Specifications	56
4.11.1	Functional Safety Standards and Performance	56
4.11.2	Technical Data	57
4.11.3	Operating Conditions	58
4.11.4	Cable Specifications	59

1 Introduction

1.1 Purpose of this Operating Guide

This operating guide provides information on the functional safety features of the iC7 drives and is targeted at users already familiar with the Danfoss iC7 series. It is intended as a supplement to the drive-specific guides.

The guide includes instructions on how to verify that the built-in functional safety features are active, and about configuring the safety features.

1.2 Additional Resources

Additional resources are available to help understand the features, and safely install and operate the iC7 series products:

- Safety guides, which provide important safety information related to installing iC7 series drives and power converters.
- Installation guides, which cover the mechanical and electrical installation of drives, power converters, or functional extension options.
- Design guides, which provide technical information to understand the capabilities of the iC7 series drives or power converters for integration into motor control and monitoring systems.
- Operating guides, which include instructions for control options, and other components for the drive.
- Application guides, which provide instructions on setting up the drive or power converter for a specific end use. Application guides for application software packages also provide an overview of the parameters and value ranges for operating the drives or power converters, configuration examples with recommended parameter settings, and troubleshooting steps.
- *Facts Worth Knowing about AC Drives*, available for download on www.danfoss.com.
- Other supplemental publications, drawings, and guides are available at www.danfoss.com.

Latest versions of Danfoss product guides are available for download at <https://www.danfoss.com/en/service-and-support/documentation/>.

1.3 Abbreviations

Table 1: Abbreviations Related to Functional Safety

Abbreviation	Reference	Description
FIT	–	Failure in time. 1 FIT corresponds to a failure per 1E9 hours of operation.
HFT	EN IEC 61508-4	Hardware fault tolerance: HFT = n means that n+1 faults could cause a loss of the safety function.
MTTFd	EN ISO 13849-1	Mean time to failure - dangerous. Unit: Years. Years are divided into Low, Medium, and High.
PFH	EN IEC 61508-4	Probability of dangerous failures per hour. Consider this value if the safety device is operated in high demand or continuous mode of operation, where the frequency of demands for operation made on a safety-related system is greater than 1 per year.
PFD	EN IEC 61508-4	Average probability of failure on demand, value used for low demand operation.

Table 1: Abbreviations Related to Functional Safety (continued)

Abbreviation	Reference	Description
PL	EN ISO 13849-1	Discrete level used to specify the ability of safety-related parts of control systems to perform a safety function under foreseeable conditions. Levels divided into a to e.
PLr	EN ISO 13849-1	Required performance level (the required performance level for a particular safety function).
SIL	EN IEC 61508-4	Safety Integrity Level
STO	EN IEC 61800-5-2	Safe Torque Off
SS1	EN IEC 61800-5-2	Safe Stop 1

1.4 Trademarks

PROFIBUS® and PROFINET® are registered trademarks of PROFIBUS and PROFINET International (PI).

PROFIdrive® is a registered trademark licensed by PROFIBUS and PROFINET International (PI).

PROFIsafe® is a registered trademark licensed by PROFIBUS and PROFINET International (PI).

1.5 Version History

This guide is regularly reviewed and updated. All suggestions for improvement are welcome.

The original language of this guide is English.

Table 2: Version History

Version	Remarks
AQ319741840653, version 0401	Updated to include functional safety option +BEF2 for iC7-Automation frequency converters up to 1260 A.
AQ319741840653, version 0301	Minor updates. The information in this version is valid for iC7-Automation frequency converters up to 1260 A.
AQ319741840653, version 0201	Minor updates. The information in this version is valid for iC7-Automation frequency converters up to 106 A.
AQ319741840653, version 0101	First release. The information in this version is valid for iC7-Automation frequency converters up to 43 A.

2 Safety

2.1 Qualified Personnel for Working with Functional Safety

Only qualified personnel can install, configure, commission, maintain, and decommission functional safety features and functions. Qualified personnel for working with functional safety features are qualified electrical engineers, or persons who have received training from qualified electrical engineers, and are suitably experienced to operate devices, systems, plants, and machinery in accordance with the general standards and guidelines for safety technology.

Furthermore, they must:

- Be familiar with the basic regulations concerning health and safety/accident prevention.
- Have read and understood the safety guidelines given in this guide.
- Have a good knowledge of the generic and specialist standards applicable to the specific application.

Installers and system integrators of systems incorporating power drive systems (safety-related) are responsible for:

- Hazard and risk analysis of the application.
- The overall safety of the application.
- Identifying safety functions required and allocating SIL or PL to each of the functions, other subsystems, and the validity of signals and commands from them.
- Designing appropriate safety-related control systems, such as hardware, software, and parameterization.

2.2 General Safety Considerations

When installing or operating the AC drive, pay attention to the safety information given in the instructions. For more information about safety guidelines for installation, see the product-specific safety guide that is included in the drive shipment. For more information about safety guidelines for operating the drive, see the product-specific guides.

NOTICE

COMMISSIONING TEST

After installing the safety functions, perform a commissioning test.

A successful commissioning test is required after the initial installation, and after each change to the installation or application involving functional safety.

If the commissioning test fails, safe operation cannot be guaranteed.

WARNING



RISK OF ELECTRIC SHOCK

The STO safety function does not provide electrical safety. The STO function itself is not sufficient to implement the Emergency-Off function as defined by IEC 60204-1:2018. Using the STO function to implement Emergency-Off may lead to death or personal injury.

- Emergency-Off requires measures of electrical isolation, for example, by switching off mains via an extra contactor.

3 Functional Safety for Frequency Converters with STO, Not Upgradable (+BEF1)

3.1 iC7 Functional Safety

3.1.1 Overview

Frequency converters with the functional safety option **STO, not upgradable (+BEF1)** provide the Safe Torque Off (STO) safety function with a dual-channel, galvanically isolated input, and an STO feedback signal for diagnostic purposes.

The drive integrates the STO functionality via the functional safety I/O terminals as described in [Table 3](#).

The iC7 drive with STO functionality is designed and approved suitable for the requirements of:

- Category 3 in EN ISO 13849-1
- Performance Level "e" in EN ISO 13849-1
- SIL 3 in IEC 61508 and 61800-5-2

The STO safety function is active if one or both of the STO inputs are not connected to a +24 V signal. The frequency converter is not able to go to the RUN state. For more information, see [Table 4](#).

Prerequisites for normal operation (STO function is not active) are:

- STO A and STO B signals are energized.
- No internal faults are active.

All control inputs and outputs are galvanically isolated from supply voltage (PELV) and other high voltage terminals, unless otherwise specified.

Table 3: Functional Safety I/O Terminals in Frequency Converters

Terminal X31			Terminal X32		
Numbering	Terminal name	Functions	Numbering	Terminal name	Functions
41	24 V	+ 24 V DC Output	45	GND	0 V/GND
42	S.INA+	+ STO Input Channel A	46	S.INA-	- STO Input Channel A
43	S.INB+	+ STO Input Channel B	47	S.INB-	- STO Input Channel B
44	S.FB+	+ STO Feedback	48	S.FB-	- STO Feedback

Table 4: Instances of the STO Function and STO Feedback Output

STO inputs	Operating conditions	STO function	STO feedback signal	Fault or warning text
Both inputs energized with 24 V DC	Normal operation	Deactivated	Deactivated	No faults or warnings
Power removed from both inputs	STO demand	Activated	Activated	"STO activated" ⁽¹⁾
Only 1 input energized	Failure in demand or due to internal fault	Activated	Deactivated	"STO – Fault [channel name]" ⁽²⁾

1) Regular STO demand: Can be either fault or warning depending on restart settings.

2) Failure in demand or due to internal fault (always a "fault", not configurable). Indicated after discrepancy timer (500 ms) elapsed.

3.1.2 System Configuration Security

iC7 drives are equipped with mandatory and configurable security features that prevent unauthorized access to the drive, ensure secure connectivity to the drive, and protect the drive against unauthorized software modifications.

For more details on the security features included in the application software, refer to application software documentation.

Configurable security features can be adjusted according to application requirements. The parameters related to safety are password-protected.

3.1.3 Safe Torque Off (STO)

NOTICE

- Select and apply the components in the safety control system appropriately to achieve the required level of operational safety. Before integrating and using STO in an installation, carry out a thorough risk analysis on the installation to determine whether the STO functionality and safety levels are appropriate and sufficient.

The Safe Torque Off (STO) function is a component in a safety control system. STO prevents the unit from generating the power required to rotate the motor.

The iC7 drives are available with:

- Safe Torque Off (STO), as defined by EN IEC 61800-5-2:2017
- Stop category 0, as defined in EN IEC 60204-1:2018

The STO function is available for iC7-Automation drives with functional safety plus code +BEF1. Specific hardware revisions are listed in the appendix of the functional safety certificate.

3.1.4 STO Activation

The STO function is activated by removing the voltages at the STO inputs of the frequency converter. By connecting the frequency converter to external safety devices providing a safe delay, an installation for a Safe Stop 1 can be obtained. External safety devices must fulfill the required Cat./PL or SIL when connected to STO inputs.

With default settings, the frequency converter issues a fault, trips the unit and coasts the motor to a stop, when the STO function is activated. Manual restart is required.

Use the STO function to stop the frequency converter in a situation where a safety function is required. In normal operating mode when STO is not required, use the standard stop function instead.

3.1.5 Automatic/Manual Restart Behavior

The STO default state prevents unintended restarts (Restart Prevention Behavior).

NOTICE

The prevention of unintended restart after STO deactivation does not fulfill a SIL 2 or SIL 3 requirement.

- If unintended restart is critical to the installation, this has to be controlled by the use of STO, both after STO activation and at normal startup scenarios, for example after normal power cycle.

CAUTION

- The default restart behavior is set to **Manual**. Before switching to **Automatic**, ensure that requirements of EN ISO 12100:2011 paragraph 6.3.3.2.5 are fulfilled.

Terminating STO and resuming normal operation

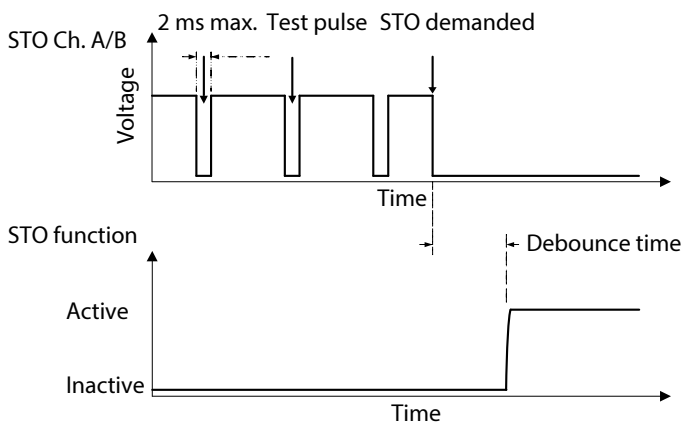
1. Reapply 24 V DC supply to safe inputs.
2. Give a reset signal via fieldbus, digital I/O, or the control panel.

Set the STO function to automatic restart by setting the value of parameter **7.3.1 Safe Torque Off Response** from the default value **Fault** (manual reset) to value **Warning** (automatic reset). Automatic reset means that STO is terminated and normal operation is resumed, when the 24 V DC is applied to STO inputs. No reset signal is required.

3.1.6 STO Properties

For flexible adaptation to the safety system, the STO inputs contain the following properties:

- **Galvanic isolation of terminals:** The functional safety I/O terminal blocks on the control board (X31, X32) have separate, galvanically isolated inputs to allow, for example, interchanging of the polarities of the STO input terminals as shown in [Figure 1](#) and [Figure 2](#).
- **Test pulse filtering:** Several control modules test their safe outputs using Test Pulse Pattern (on/off tests), to identify faults due to either short- or cross-circuiting. When connecting the STO inputs with a safe output of a control module, test pulses shall not activate STO. For that reason, test pulses for no longer than 2 ms is ignored on the STO input lines.



e30bi779;10

Figure 1: Test Pulse Filtering

- **Asynchronous input tolerance:** The input signals at the STO terminals are not always synchronous. If the discrepancy between the 2 signals is longer than 500 ms, the drive indicates an STO fault as described in [Table 4](#). This feature does not delay the activation of the STO function.

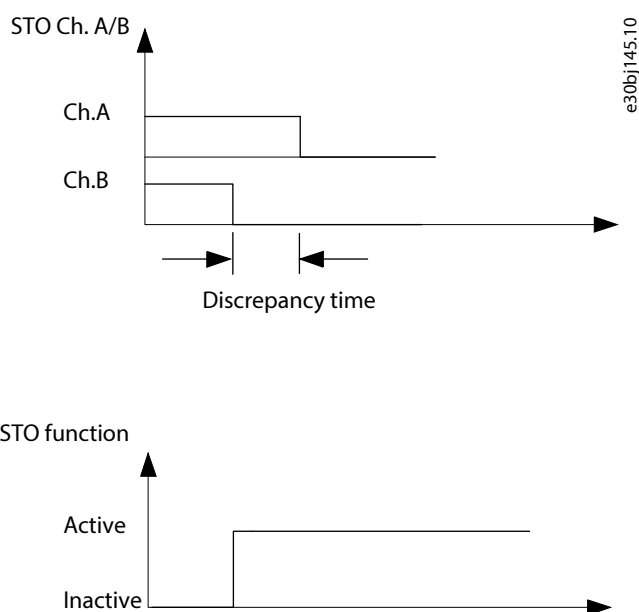


Figure 2: Discrepancy Time

3.1.7 STO Feedback

STO feedback is a single-channel feedback signal which can be used for diagnostic purposes, and for providing an indication of an active STO. It can help to achieve better safety capability on system level, for example, in retrofit cases, where a diagnostic feedback to the safety system is required.

CAUTION

- The feedback signal is not designed to be a part of the safety function, and it does not have a Safety Integrity Level.

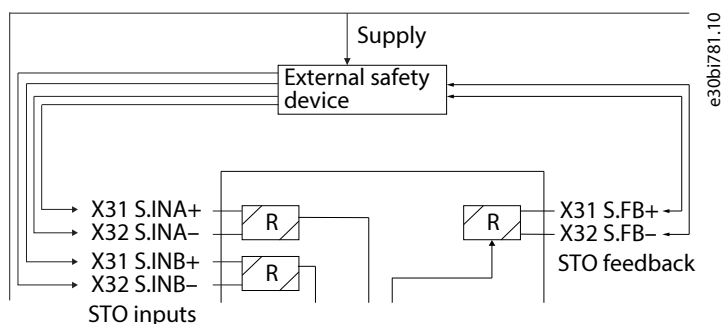


Figure 3: STO Feedback Example for iC7 Frequency Converters

It can also be used as a digital output for providing a status signal. In this case, the load could be a digital input of a PLC.

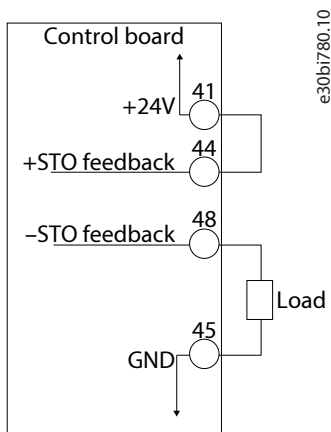


Figure 4: STO Feedback Example for iC7 Frequency Converters

The STO feedback works similar to a contactor which is closed as soon as both STO input channels are de-energized.

3.2 Installation

3.2.1 STO Installation for Frequency Converters with Functional Safety Group 1 (STO - Not Upgradable)

Prerequisite: For motor connection, AC mains connection, and control wiring, follow the instructions for safe installation in the documentation shipped with the drive.

All functional safety related wiring must be done on terminal blocks X31 and X32. See [Figure 5](#) for the location of the terminals.

NOTICE

If multi-stranded wires are used in the installation, ferrules or other suitable means must be used to prevent a single core from short-circuiting with adjacent pins.

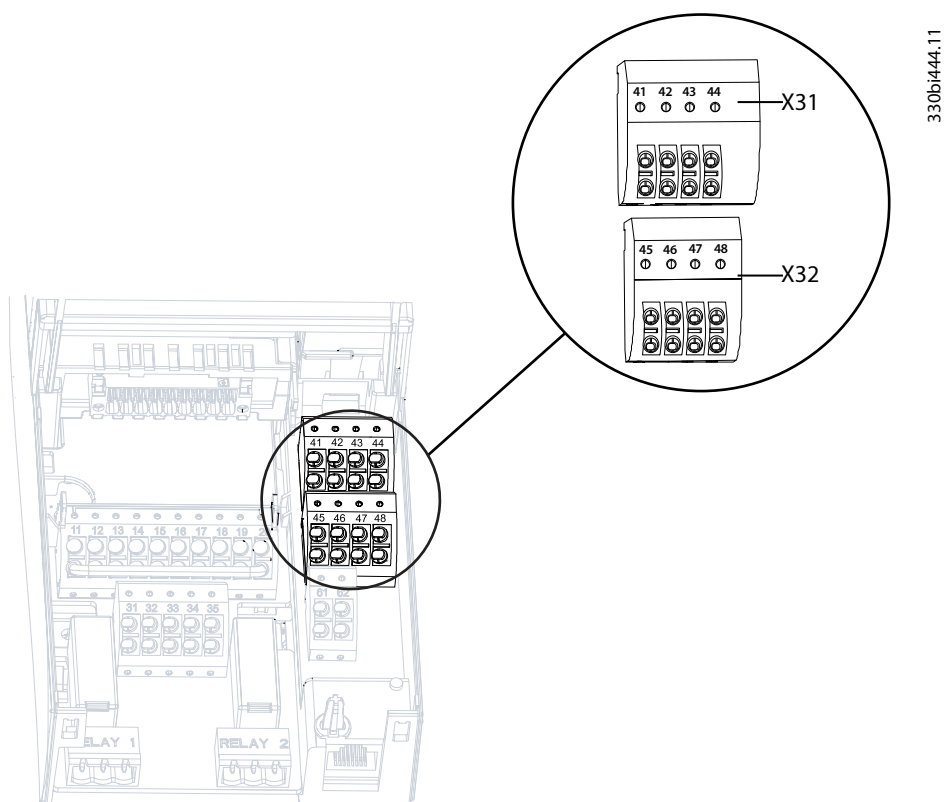


Figure 5: Functional Safety Terminals

Table 5: Functional Safety I/O Terminals in Frequency Converters

Terminal X31			Terminal X32		
Numbering	Terminal name	Functions	Numbering	Terminal name	Functions
41	24 V	+ 24 V DC Output	45	GND	0 V/GND
42	S.INA+	+ STO Input Channel A	46	S.INA-	- STO Input Channel A
43	S.INB+	+ STO Input Channel B	47	S.INB-	- STO Input Channel B
44	S.FB+	+ STO Feedback	48	S.FB-	- STO Feedback

The frequency converter is shipped without any wiring to the functional safety I/O terminals. As a result, all safe inputs are de-energized and STO is active.

1. If the STO safety function is not needed, wire the terminal block as shown in [Figure 6](#), or use the STO jumper clips from the accessory bag and mount them on X31 and X32. This ensures that both STO inputs are energized with 24 V DC for enabling normal operation.

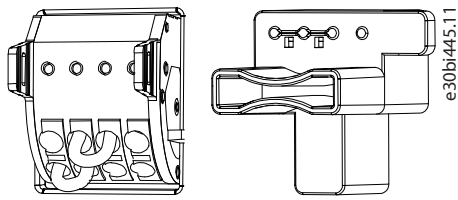


Figure 6: Wired Terminal Block (on the Left) and STO Jumper Clip (on the Right)

3.2.2 Connection Examples

Due to the galvanic isolation of the STO inputs, various connections and different polarities are possible in the wiring. For example, connect a safety actuator to STO input terminals, and set the voltage references as shown in [Figure 7](#) and [Figure 8](#). Setups with the same voltage level on both channels (+24 V) are supported, but also setups with different voltage levels (+24 V and GND) are supported.

NOTICE

DANGEROUS VOLTAGE LEVEL

- To avoid stacking and drifting of voltages to a dangerous level, GND PELV of the drive and the external safety device must be interconnected.

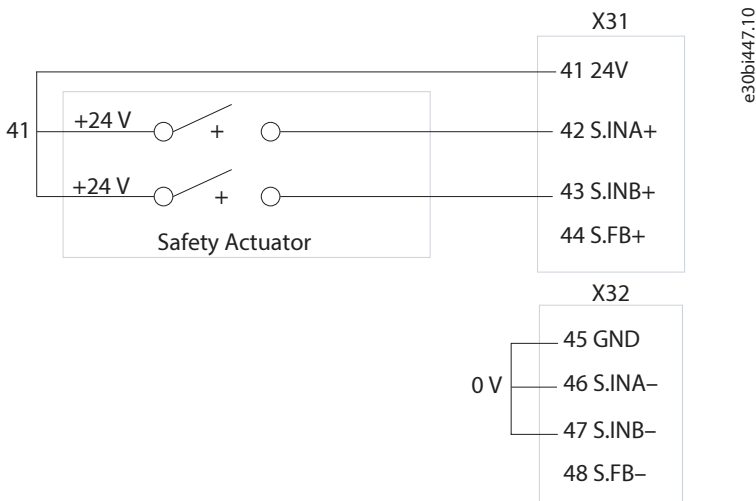


Figure 7: STO Connection Example for Using the Same Polarities (Channel A and Channel B = 24 V)

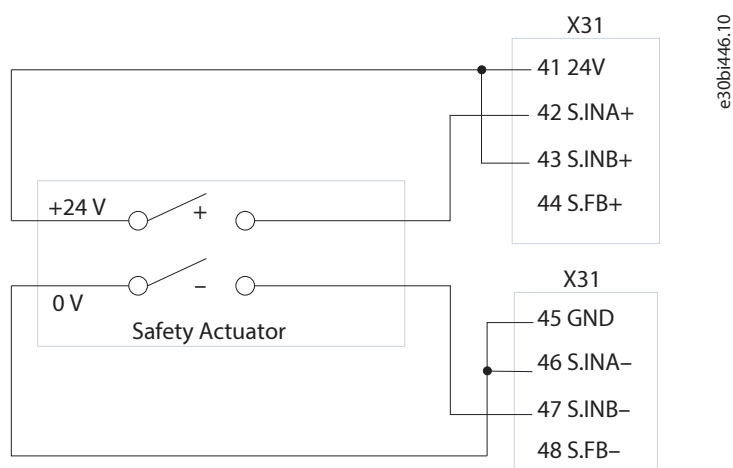


Figure 8: STO Connection Example for Using Different Polarities

For other wiring examples, see application software documentation.

3.3 Commissioning

3.3.1 Safety Instructions for Commissioning

See [2.2 General Safety Considerations](#) and the relevant product-specific guides for more instructions on safety. Always observe the instructions provided by the motor manufacturer.

⚠ WARNING

RESIDUAL ROTATION

The STO function can be used for induction, synchronous, and permanent magnet motors. Two faults can occur in the power semiconductor of the drive. When using synchronous or permanent magnet motors, a residual rotation can result from the faults. The rotation can be calculated to angle = $360 / (\text{number of pole pairs})$.

- The application using synchronous or permanent magnet motors must consider this residual rotation and ensure that it does not pose a safety risk. The situation is not relevant for induction motors.

3.3.2 Commissioning Test

3.3.2.1 Overview

After installation and before 1st operation, a commissioning test using STO is required. The commissioning test is also required after each modification of the installation or application that involves STO.

NOTICE

COMMISSIONING TEST

After installing the safety functions, perform a commissioning test.

A successful commissioning test is required after the initial installation, and after each change to the installation or application involving functional safety.

If the commissioning test fails, safe operation cannot be guaranteed.

To perform a commissioning test:

- See [3.3.2.2 Commissioning Test for STO Applications in Manual Restart Mode](#) if STO is set to manual restart mode (parameter **7.3.1 Safe Torque Off Response** is set to default setting **Fault, reset required** (manual reset).
- See [3.3.2.3 Commissioning Test for STO Applications in Automatic Restart Mode](#) if STO is set to automatic restart mode (parameter **7.3.1 Safe Torque Off Response** is set to **Warning, no reset required** (automatic reset).

3.3.2.2 Commissioning Test for STO Applications in Manual Restart Mode

Table 6: Commissioning Test in Manual Restart Mode

Test procedure		Approved
1	Power on the frequency converter.	<input type="checkbox"/>
2	Check that no safety faults are present.	<input type="checkbox"/>
3	Start the motor.	<input type="checkbox"/>
4	Remove the 24 V DC voltage supply to both STO input terminals using the safety device while the frequency converter drives the motor (that is, the mains supply is not interrupted).	<input type="checkbox"/>
5	Verify that the motor coasts. It may take a long time for the motor to stop.	<input type="checkbox"/>
6	If a control panel is mounted, check if STO activated is shown on the control panel.	<input type="checkbox"/>
	If the control panel is not mounted, check if STO activated is listed in the event log.	
7	If the STO feedback is used, verify that STO is activated by checking the state of the STO Feedback. See Figure 12 .	<input type="checkbox"/>
8	Reapply 24 V DC to STO inputs.	<input type="checkbox"/>
9	Ensure that the motor remains in the coasted state, and any connected relays remain activated.	<input type="checkbox"/>
10	Send a reset signal via fieldbus, digital I/O, or the control panel.	<input type="checkbox"/>
11	Ensure that the motor becomes operational and runs within the original speed range.	<input type="checkbox"/>

3.3.2.3 Commissioning Test for STO Applications in Automatic Restart Mode

Table 7: Commissioning Test in Automatic Restart Mode

Test procedure		Approved
1	Power on the frequency converter.	<input type="checkbox"/>
2	Check that no safety faults are present.	<input type="checkbox"/>
3	Start the motor.	<input type="checkbox"/>
4	Remove the 24 V DC voltage supply to both STO input terminals using the safety device while the frequency converter drives the motor (that is, the mains supply is not interrupted).	<input type="checkbox"/>
5	Verify that the motor coasts. It may take a long time for the motor to stop.	<input type="checkbox"/>
6	If a control panel is mounted, check if STO activated is shown on the control panel.	<input type="checkbox"/>
	If the control panel is not mounted, check if STO activated is listed in the event log.	

Table 7: Commissioning Test in Automatic Restart Mode (continued)

Test procedure		Approved
7	If the STO feedback is used, verify that STO is activated by checking the state of the STO Feedback. See Figure 12 .	<input type="checkbox"/>
8	Reapply 24 V DC to STO inputs.	<input type="checkbox"/>
9	Ensure that the motor becomes operational and runs within the original speed range.	<input type="checkbox"/>

3.4 Operation and Maintenance

3.4.1 Functional Tests

3.4.1.1 Conducting Functional Tests

- It is **required** for PL e or SIL 3 to conduct a functional test every 3 months to detect any failure or malfunction of the STO functionality.
- It is **required** for PL d or SIL 2 to conduct a functional test every 12 months to detect any failure or malfunction of the STO functionality.
- It is **recommended**, but not required for PL c or SIL 1 to conduct a functional test every 12 months to detect any failure or malfunction of the STO functionality.

NOTICE

If the functional test fails, safe operation cannot be guaranteed.

- Conduct the functional test by performing the steps described in [3.4.1.2 Functional Test Using STO Feedback Signal](#) or [3.4.1.3 Functional Test without Using STO Feedback Signal](#).

3.4.1.2 Functional Test Using STO Feedback Signal

The feedback signal is active whenever the STO function is activated internally by both redundant STO channels (A+B). It is an easy indicator that both channels are working.

Table 8: Functional Test Using the STO Feedback Signal

Test procedure		Approved
1	Power on the frequency converter.	<input type="checkbox"/>
2	Check that no safety faults are present.	<input type="checkbox"/>
3	Start the motor.	<input type="checkbox"/>
4	Verify that the STO Feedback output does not signal an active STO.	<input type="checkbox"/>
5	Activate the STO function by removing the 24 V DC voltage supply to STO input channel A and B while the frequency converter drives the motor (that is, the mains supply is not interrupted).	<input type="checkbox"/>
6	Verify that the motor coasts. It may take a long time for the motor to stop.	<input type="checkbox"/>
7	Verify that the STO Feedback output signals an active STO. The output signals a full STO only when both channels are invoked.	<input type="checkbox"/>

Table 8: Functional Test Using the STO Feedback Signal (continued)

Test procedure		Approved
8	Give a start command to verify that the STO function blocks the drive's operation. The motor must not start.	<input type="checkbox"/>
9	Reapply 24 V DC to STO inputs.	<input type="checkbox"/>
10	Optional step, only with the manual reset mode setting: Send a reset signal via fieldbus, digital I/O, or control panel.	<input type="checkbox"/>
11	Ensure that the motor becomes operational and runs within the original speed range.	<input type="checkbox"/>

3.4.1.3 Functional Test without Using STO Feedback Signal

As an alternative solution, it is also possible to verify the STO function without the feedback signal. In this case, both channels have to be tested separately.

Table 9: Functional Test Without Using the STO Feedback Signal

Test procedure		Approved
1	Power on the frequency converter.	<input type="checkbox"/>
2	Check that no safety faults are present.	<input type="checkbox"/>
3	Start the motor.	<input type="checkbox"/>
4	Remove the 24 V DC voltage supply to STO input channel A terminals while the frequency converter drives the motor (that is, the mains supply is not interrupted).	<input type="checkbox"/>
5	Verify that the motor coasts. It may take a long time for the motor to stop.	<input type="checkbox"/>
6	If a control panel is mounted, check if STO – Fault Ch A is shown on the control panel.	<input type="checkbox"/>
7	If the control panel is not mounted, check if STO – Fault Ch A is listed in the event log.	<input type="checkbox"/>
8	Give a start command to verify that the STO function blocks the drive's operation. The motor must not start.	<input type="checkbox"/>
9	Reapply 24 V DC to STO inputs.	<input type="checkbox"/>
10	Send a reset signal via fieldbus, digital I/O, or control panel.	<input type="checkbox"/>
11	Ensure that the motor becomes operational and runs within the original speed range.	<input type="checkbox"/>
12	Remove the 24 V DC voltage supply to STO input channel B terminals while the frequency converter drives the motor (that is, the mains supply is not interrupted).	<input type="checkbox"/>
13	Verify that the motor coasts. It may take a long time for the motor to stop.	<input type="checkbox"/>
14	If a control panel is mounted, check if STO – Fault Ch B is shown on the control panel.	<input type="checkbox"/>
15	If the control panel is not mounted, check if STO – Fault Ch B is listed in the event log.	<input type="checkbox"/>
16	Give a start command to verify that the STO function blocks the drive's operation. The motor must not start.	<input type="checkbox"/>
17	Reapply 24 V DC to STO inputs.	<input type="checkbox"/>

Table 9: Functional Test Without Using the STO Feedback Signal (continued)

Test procedure		Approved
18	Send a reset signal via fieldbus, digital I/O, or control panel.	<input type="checkbox"/>
19	Ensure that the motor becomes operational and runs within the original speed range.	<input type="checkbox"/>

3.4.2 Diagnostic Tests

If the STO feedback signal is used, conduct an extra test for SIL 3 every 24 months to detect any STO feedback functionality failures.

Table 10: Diagnostic Test for STO Feedback Signal

Test procedure		Approved
1	Power on the frequency converter.	<input type="checkbox"/>
2	Check that no safety faults are present.	<input type="checkbox"/>
3	Start the motor.	<input type="checkbox"/>
4	Verify that the STO Feedback output does not signal an active STO.	<input type="checkbox"/>
5	Remove the 24 V DC voltage supply to STO input channel A terminals while the frequency converter drives the motor (that is, the mains supply is not interrupted).	<input type="checkbox"/>
6	Verify that the motor coasts. It may take a long time for the motor to stop.	<input type="checkbox"/>
7	If a control panel is mounted, check if STO – Fault Ch A is shown on the control panel.	<input type="checkbox"/>
8	If the control panel is not mounted, check if STO – Fault Ch A is listed in the event log.	<input type="checkbox"/>
9	Verify that the STO Feedback output does not signal an active STO. (The output signals a full STO only when both channels are invoked.)	<input type="checkbox"/>
10	Give a start command to verify that the STO function blocks the drive's operation. The motor must not start.	<input type="checkbox"/>
11	Reapply 24 V DC to STO inputs.	<input type="checkbox"/>
12	Send a reset signal via fieldbus, digital I/O, or control panel.	<input type="checkbox"/>
13	Ensure that the motor becomes operational and runs within the original speed range.	<input type="checkbox"/>
14	Remove the 24 V DC voltage supply to STO input channel B terminals while the frequency converter drives the motor (that is, the mains supply is not interrupted).	<input type="checkbox"/>
15	Verify that the motor coasts. It may take a long time for the motor to stop.	<input type="checkbox"/>
16	If a control panel is mounted, check if STO – Fault Ch B is shown on the control panel.	<input type="checkbox"/>
17	If the control panel is not mounted, check if STO – Fault Ch B is listed in the event log.	<input type="checkbox"/>
18	Verify that the STO Feedback output does not signal an active STO. (The output signals a full STO only when both channels are invoked.)	<input type="checkbox"/>
19	Give a start command to verify that the STO function blocks the drive's operation. The motor must not start	<input type="checkbox"/>

Table 10: Diagnostic Test for STO Feedback Signal (continued)

Test procedure		Approved
20	Reapply 24 V DC to STO inputs.	<input type="checkbox"/>
21	Send a reset signal via fieldbus, digital I/O, or control panel.	<input type="checkbox"/>
22	Ensure that the motor becomes operational and runs within the original speed range.	<input type="checkbox"/>

3.5 Specifications

3.5.1 Functional Safety Standards and Performance

All safety functions in the iC7 drives meet the requirements of the standards listed in this chapter.

Table 11: Functional Safety Standards and Performance

Directive or Standard		Version
European Union directives	Machinery Directive (2006/42/EC)	EN ISO 13849-1:2015, EN ISO 13849-2:2012
		EN IEC 61800-5-2:2007
	EMC Directive (2014/30/EU)	EN IEC 61800-3:2018 – second environment
		EN IEC 61326-3-1:2017
	Low Voltage Directive (2014/35/EU)	EN IEC 61800-5-1:2017
Safety standards	Safety of Machinery	EN ISO 13849-1:2015, IEC 60204-1:2018
	Functional Safety	IEC 61508-1:2010, IEC 61508-2:2010, EN IEC 61800-5-2:2017
Safety function		EN IEC 61800-5-2:2017 Safe Torque Off (STO)
		IEC 60204-1:2018 Stop Category 0

Table 11: Functional Safety Standards and Performance (continued)

Directive or Standard	Version	
Safety performance	EN ISO 13849-1:2015	
	Category	Cat 3
	Coverage of diagnostic (functional) test	>90% (Medium)
	Performance Level	Up to PL e
	Maximum diagnostic test interval for related performance level	PL e: 3 months
		PL d: 12 months
	Mean Time to Dangerous Failure	High (100 years per channel)
	IEC 61508:2010	
	Safety Integrity Level	Up to SIL 3
	Maximum diagnostic test interval for related safety integrity level	SIL 3: 3 months
		SIL 2: 12 months
	Probability of Dangerous Failure per Hour	PFH: < 8 FIT
	Probability of Dangerous Failure on Demand	PFD: < 5·10 ⁻⁴
	HFT	Hardware Fault Tolerance = 1
	Subsystem Classification	Type A
Proof Test Interval T1	20 years	
Mission time TM	20 years	
Reaction time	Input to output response time	< 30 ms
	Fault reaction time	< 30 ms
Mode of operation	High demand, Low demand, and Continuous	

1) Input to output response time with shielded cables. Otherwise, a maximum of 20 ms might be added to this value under worst case EMC conditions.

3.5.2 Technical Data

Control input and outputs are galvanically isolated from supply voltage (PELV) and other high voltage terminals, unless otherwise specified.

Table 12: 24 V Digital Input for STO Input

Function	Data
Input type	Single-ended/floating
Logic	PNP
Voltage level	0–24 V DC
Voltage level, logic 0 PNP	<5 V
Voltage level, logic 1 PNP	>11 V

Table 12: 24 V Digital Input for STO Input (continued)

Function	Data
Maximum voltage on input @ functional	30 V
Maximum voltage on input @ safe state	60 V
Input current	8 mA > I _c > 5 mA @ 24 V
Equivalent input resistance	3 kΩ < R _i < 4.7 kΩ @ 24 V
Isolation	Functional
Reverse polarity protection	Yes
Maximum input current off-state	0.1 mA

Table 13: 24 V Digital Outputs for STO Feedback

Function	Data
Output type	Sink/source
Voltage rating	24 V DC open collector/60 V maximum
Current rating	50 mA
Isolation	Yes
Overload protection	Yes
Reverse polarity protection	Yes
ON state voltage	>17.4 V
Off state leakage current	0.1 mA

Table 14: Auxiliary Voltages

Function	Data	
24 V output, functional safety (X31, X32)	Output voltage	24 V ±15%
	Maximum load	100 mA

3.5.3 Operating Conditions

Table 15: Operating Conditions for Functional Safety

Function	Data
Operating temperature	According to the AC drive specifications.
Storage temperature	-40 °C...+70 °C (-40 °F...+158 °F)
Air humidity	According to the AC drive specifications (non-condensing).

Table 15: Operating Conditions for Functional Safety (continued)

Function	Data
Operating altitude	According to the AC drive specifications.
Environmental conditions	The product must be installed in an environment corresponding to EN IEC 61800-5-1:2017 PD2 – non-condensing. For PD2 condensing environments, the product must be installed in IP54/NEMA 12 cabinet as per EN IEC 60529 AMD 2:2013, or equivalent.

Check the operating conditions for each drive from the product-specific design guide or operating guide. Latest versions of Danfoss product guides are available for download at <https://www.danfoss.com/en/service-and-support/documentation/>.

3.5.4 Cable Specifications

Table 16: Cable Sizing for Connectors X31, X32

Wire type	Cross-section [mm ² (AWG)]	Stripping length [mm (in)]
Solid	0.5–1.5 (24–16)	10 (0.4)
Flexible	0.5–1.5 (24–16)	10 (0.4)
Flexible with ferrule w/o plastic sleeve	0.5–1.5 (24–16)	10 (0.4)
Flexible with ferrule w plastic sleeve	0.5 (24)	10 (0.4)

4 Functional Safety for Frequency Converters, Upgradable (+BEF2)

4.1 Functional Safety Options

Functional safety option +BEF2 includes Safe Torque Off (STO) and Safe Stop 1 time-controlled (SS1-t) safety functions. Drives with +BEF2 also include an advanced safety unit, which enables configuring functional safety parameters using MyDrive® Insight.

4.2 Functional Safety System Description

An additional advanced safety unit is used to implement safety functions in accordance with the standard EN IEC 61800-5-2 in iC7-Automation frequency converters with +BEF2.

The advanced safety unit handles the safe I/O and the monitoring of active safety functions. The advanced safety unit does not handle the controls of the AC drive. The AC drive can be controlled, for example, with the drive application, or the external process control system. The advanced safety unit currently supports AC drives connected to TN or TT grid types. Support for more grid types is planned for future releases.

The advanced safety unit can be controlled with the digital I/Os and over safe fieldbus, where applicable.

4.3 Safety Functions

4.3.1 Overview of Frequency Converters with STO and SS1-t (+BEF2)

Frequency converters with STO and SS1-t (+BEF2) provide the following safety functions:

- Safe Torque Off (STO) as defined by EN IEC 61800-5-2:2017.
- Stop category 0, as defined in EN IEC 60204-1:2018.
- Safe Stop 1 time-controlled (SS1-t), as defined by EN IEC 61800-5-2:2017.
- Stop category 1, as defined in EN IEC 60204-1:2018.

The Safe Torque Off (STO) function is a component in a safety control system. STO prevents the unit from generating the power required to rotate the motor.

With SS1-t, the motor decelerates within a specified deceleration time. STO is activated at the end of a deceleration time.

Both safety functions are designed and approved suitable for the requirements of:

- Category 3 in EN ISO 13849-1
- Performance Level "e" in EN ISO 13849-1
- SIL 3 in IEC 61508 and EN 61800-5-2

Both functions are available for iC7 drives with functional safety plus code +BEF2. Specific hardware revisions are listed in the appendix of the functional safety certificate.

The frequency converters are fitted with a dual-channel, galvanically isolated input, and an STO feedback signal for diagnostic purposes.

All control inputs and outputs are galvanically isolated from supply voltage (PELV) and other high-voltage terminals, unless otherwise specified.

NOTICE

Select and apply the components in the safety control system appropriately to achieve the required level of operational safety. Before integrating and using STO in an installation, carry out a thorough risk analysis on the installation to determine whether the STO functionality and safety levels are appropriate and sufficient.

4.3.2 STO Activation

The STO function is activated by 1 of the following reasons:

- An external request.
- A violation of another safety function.
- A fault detected by the internal diagnostics.

The Safe Stop 1 (SS1-t) function activates the STO function when an application-specific time delay has passed (time monitoring).

Use the STO function to stop the drive in a situation where a safety function is required. In normal operating mode when STO is not required, use the standard stop function instead.

4.3.3 Configuring Restart and Acknowledgment Behavior

Safety functions can be set up to require an acknowledgment to safety-related events. These events include the power-up of the device, or the disengagement of a safety function.

The configuration options are:

- **Direct restart:** Transitioning to the operational state does not require any action.
- **Nonsafe Acknowledge required:** Acknowledgment through a selected non-safe input or fieldbus is required.
- **Safe Acknowledge required:** Acknowledgment through a selected safe input or safe fieldbus is required.



IMPORTANT: If the problem persists and the device stays in error mode, contact Danfoss.

NOTICE

The default prevention of unintended restart after STO deactivation does not fulfill a SIL 2 or SIL 3 requirement. This applies when configuring manual restart using the parameter **7.3.1 Safe Torque Off Response**.

- If unintended restart is critical to the installation, this has to be controlled by the use of STO, both after STO activation and at normal startup scenarios, for example after normal power cycle.
- If STO acknowledgment is part of the safety function, the manual startup acknowledgement must be set by a general functional safety parameter. See [4.4.2 General Functional Safety Parameters](#) for more information on parameter **Manual startup acknowledge**.

CAUTION

- The default restart behavior is set to **Manual**. Before switching to **Automatic**, ensure that requirements of EN ISO 12100:2011 paragraph 6.3.3.2.5 are fulfilled.

Terminating STO and resuming normal operation

1. Remove the STO request.

Dependent on the configuration, this can be done by reapplying 24 V DC supply to the safe inputs or by removing the STO request via the safe fieldbus.

2. Give a reset signal via fieldbus, digital I/O, or the control panel.

Set the STO function to **Warning** by setting the value of parameter **7.3.1 Safe Torque Off Response** from the default value **Fault** (manual reset) to **Warning** (automatic reset). **Warning** means that STO is terminated and normal operation is resumed, when the 24 V DC is applied to safe inputs. No reset signal is required.

4.3.4 Safety Input Properties

For flexible adaptation to the safety system, the safe inputs contain the following properties:

- **Galvanic isolation of terminals:** The functional safety I/O terminal blocks on the control board have separate, galvanically isolated inputs to allow, for example, interchanging of the polarities of the safe input terminals as shown in [Figure 9](#) and [Figure 10](#).
- **Test pulse filtering:** Several control modules test their safe outputs using Test Pulse Pattern (on/off tests) to identify faults due to either short- or cross-circuiting. When interconnecting the safe input of the drive with a safe output of the control module, the drive responds to the test signals. A signal change during a test pulse pattern is configured with parameter **Stable Signal Time** (range 1–5000 ms). Test pulses of the length configured in parameter **Stable Signal Time** are ignored on the safe input lines. It is also possible to filter short pulses, which could lead to safety functions being activated incorrectly.

See [4.4.2 General Functional Safety Parameters](#) for more information on parameter **Stable Signal Time**.

NOTICE

- The stable signal time extends the safety function response time. The safety function is activated after the response time has expired.
- If the signal to the safety input is not stable, the drive responds with a fault.

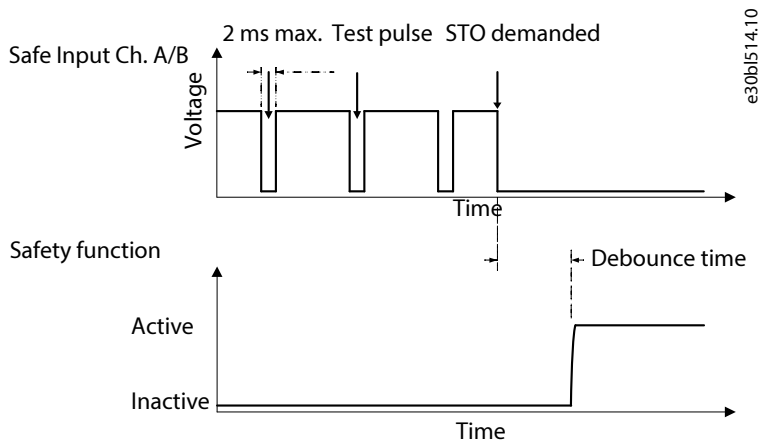


Figure 9: Test Pulse Filtering

- **Asynchronous input tolerance:** The input signals at the safe input terminals are not always synchronous. If the discrepancy between the 2 signals is longer than 500 ms, the drive indicates an IO failure as described in [4.10.2 Instances of the STO Feedback Signal](#). This feature does not delay the activation of the safety function.

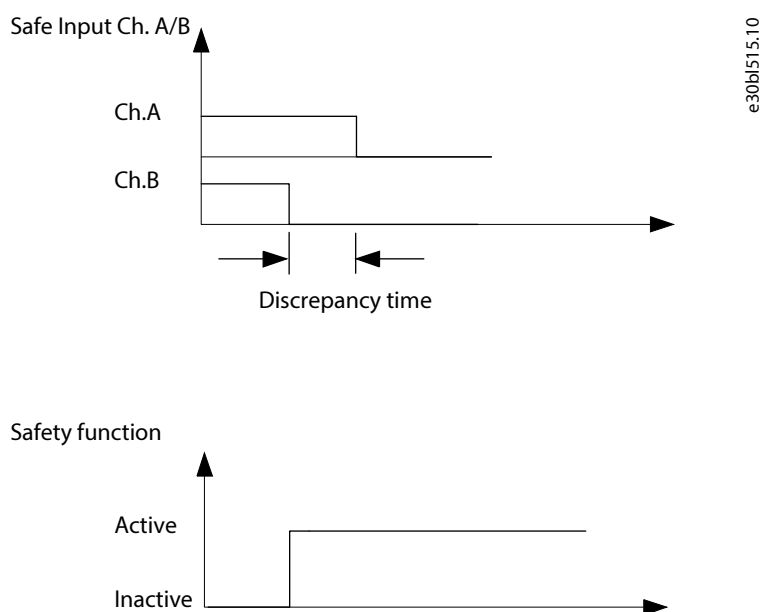


Figure 10: Discrepancy Time

4.3.5 STO Feedback

STO feedback is a single-channel feedback signal which can be used for diagnostic purposes, and for providing an indication of an active STO. It can help to achieve better safety capability on system level, for example, in retrofit cases, where a diagnostic feedback to the safety system is required.

⚠ CAUTION

- The feedback signal is not designed to be a part of the safety function, and it does not have a Safety Integrity Level.

Table 17: Instances of STO Feedback

State	Feedback state ⁽¹⁾	Additional information
Standard function	De-energized	The motor is running and no safety function is active. STO feedback is de-energized.
STO state is reached	Energized	STO is requested, and safe state is reached. STO state is reached and connection to all power units is established. STO output is de-energized.
Configuration needed	De-energized	Safe inputs must have a validated configuration to ensure that all power units have reached safe input state. The connected power units are a part of the configuration, and without a validated configuration, the safe input cannot assume to have a connection to all power units established.
Software update	De-energized	During software update, the state of the safe output is not reliable. STO output is de-energized.

Table 17: Instances of STO Feedback (continued)

State	Feedback state ⁽¹⁾	Additional information
Bootloader and startup	De-energized	The bootloader does not communicate and does not know the state of the STO output on the power units. At startup, the communication is not yet established and the safe input card does not know the state of the safe output on the power units.
Internal failure	De-energized	Indicates a severe issue, for example in the STO circuitry. It cannot be assumed that the Safety IO knows that all STO outputs are de-energized.
Internal fatal failure	De-energized	Triggered when a fatal internal issue has occurred, for example, a CPU or RAM fault. The operation cannot be guaranteed, and it cannot be assumed that the safe outputs can be de-energized.

1) **Energized:** STO_FB+ ⇒ STO_FB- circuit closed = current flow = logical "0" with low side driver configuration. **De-energized:** STO_FB+ ⇒ STO_FB- circuit open = no current flow = logical "1" with low side driver configuration.

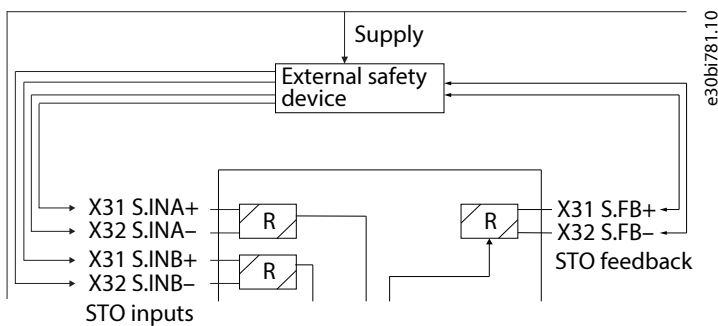


Figure 11: STO Feedback Example for iC7 Frequency Converters

It can also be used as a digital output for providing a status signal. In this case, the load could be a digital input of a PLC.

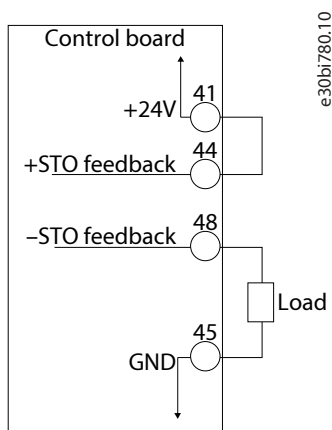


Figure 12: STO Feedback Example for iC7 Frequency Converters

The STO feedback works similar to a contactor which is closed as soon as both STO input channels are de-energized.

4.4 Parameters for Safety Functions

4.4.1 Overview of Safety Function Parameters

Functional safety configuration is done in MyDrive® Insight, in *Setup & Service* > *Functional safety* > *Safety configuration*. Changing parameters related to functional safety requires logging in as an admin.

Parameters related to application software, for example, automatic/manual restart behavior after STO deactivation, are included in parameter group **Functional Safety**. Factory default values and other preset values are not valid for safety applications as such, and all parameter values must be checked to ensure that the configuration is suitable for the application. For more information on setting parameters, refer to application software documentation.

! **IMPORTANT:** After initial startup and the modification of the configuration or functional safety parameters, a commissioning test must be performed to verify the functionality of individual safety functions. For more information, see [4.8.4 Commissioning Test for Safety Function STO](#) and [4.8.5 Commissioning Test for Safety Function Safe Stop 1 Time-controlled \(SS1-t\)](#).

The configuration of functional safety features must be done according to the safety system installation and wiring, and consists of the following steps:

1. General parameter configuration
2. Failure configuration
3. Safe fieldbus configuration
4. STO configuration
5. SS1 configuration
6. Saving to device
7. Parameter verification
8. Validate report
9. Commissioning report

4.4.2 General Functional Safety Parameters

Table 18: General Functional Safety Parameters

Parameter name ⁽¹⁾	Selections	Default value	Description
Stable Signal Time (A)	1–5000 ms	10	Delay until a signal change to Low is detected stable. This parameter specifies a delay in addition to the time specified for input signal interpretation in the drive.
Acknowledge input for IO failures (B)	Not selected	Not selected	Specifies the safe digital input, which can be associated to the acknowledgment of the IO failures.
	Safe Input (X31/X32)		

Table 18: General Functional Safety Parameters (continued)

Parameter name ⁽¹⁾	Selections	Default value	Description
Triggering edge for IO failure acknowledge (C)	Rising edge	Rising edge	Specifies the edge for the acknowledgment of the IO failures.
	Falling edge		
Restart behavior for release of IO Failure (D)	Nonsafe Acknowledge required	Nonsafe Acknowledge required	Specifies the restart behavior for IO failure.
	Safe Acknowledge required		
Acknowledge input for startup (E)	Not selected	Not selected	Specifies the safe digital input, which can be associated to the acknowledgment of the startup.
	Safe Input (X33)		
Triggering edge for startup acknowledge (F)	Rising edge	Rising edge	Specifies the edge for the acknowledgment of the IO failures.
	Falling edge		
Manual startup acknowledge (G)	Direct restart	Direct restart	Specifies the restart behavior for startup acknowledge.
	Nonsafe Acknowledge required		
	Safe Acknowledge required		

1) Parameters are identified with letters in the Safety configuration section in MyDrive® Insight. The letter is given in parentheses after the parameter name for each parameter in this table.

4.4.3 Failure Configuration

Table 19: Failure Configuration Parameters

Parameter name ⁽¹⁾	Selections	Default value	Description
IO Fault mapping (A)	STO	STO	Mapping of fault instance to IO.
	First instance of SS1		

1) Parameters are identified with letters in the Safety configuration section in MyDrive® Insight. The letter is given in parentheses after the parameter name for each parameter in this table.

4.4.4 Safe Fieldbus

Table 20: General Functional Safety Parameters

Parameter name ⁽¹⁾	Selections	Default value	Description
Safe fieldbus address (A)	1–65535	1	The address of the device in the safe fieldbus subsystem.
Safe fieldbus configuration (B)	FALSE/TRUE (Checkbox Enabled not ticked/ ticked).	FALSE (Checkbox Enabled not ticked.)	Specifies if safe fieldbus is enabled.

1) Parameters are identified with letters in the Safety configuration section in MyDrive® Insight. The letter is given in parentheses after the parameter name for each parameter in this table.

4.4.5 Safe Torque Off (STO)

The Safe Torque Off (STO) safety function allows the drive output to be disabled so that the drive cannot generate torque to the motor shaft.

STO corresponds to an uncontrolled stop in accordance with stop category 0 of IEC 60204-1. The events that can activate the STO function are:

- An external request.
- A violation of another safety function.
- A fault detected by the internal diagnostics.

NOTICE

The drive always initiates in a safe state, which is cleared automatically after the startup is completed.

- When parameter **Restart behavior for release of STO** is configured to require an acknowledgment, acknowledgment is required also when the device is powered up, and not only when a safety function has been disengaged.

Table 21: STO Parameters

Parameter name ⁽¹⁾	Selections	Default value	Description
Activation configuration (A)	De-energized (Function always on)	Safe Input (X31/X32)	Specifies the safe digital input, which can be associated to the activation of the safety function.
	Safe Input (X31/X32)		
	Energized (Function always off)		
Restart behavior for release of STO (B)	Direct restart	Direct restart	Specifies the restart behavior for STO.
	Nonsafe Acknowledge required		
	Safe Acknowledge required		
Digital input assignment for STO restart acknowledge (C)	Not selected	Not selected	Specifies the safe digital input, which can be associated to the STO restart acknowledgment.
	Safe Input (X31/X32)		

Table 21: STO Parameters (continued)

Parameter name ⁽¹⁾	Selections	Default value	Description
Triggering edge for STO restart acknowledge (D)	Rising edge	Rising edge	Specifies the change on the safe digital input, which is associated to the STO restart acknowledgment.
	Falling edge		

1) Parameters are identified with letters in the Safety configuration section in MyDrive® Insight. The letter is given in parentheses after the parameter name for each parameter in this table.

4.4.6 Safe Stop 1 Time-controlled (SS1-t)

Safe Stop 1 time-controlled (SS1-t) safety function triggers the deceleration to 0 speed in a controlled manner and activates the Safe Torque Off (STO) safety function after a specified time.

The features of the safety function are:

- The safety function Safe Stop 1 corresponds to a category 1 stop (controlled stop) in accordance with EN IEC 60204-1.
- The motor becomes torque-free and removes hazardous movements.

The SS1-t function operates with the time monitoring mode and activates the STO function when an application-specific time delay has passed.

It is possible to configure 2 separate SS1 function instances with individual parameter sets.

⚠ CAUTION

- Remember to configure parameters **7.4.1 Safe Stop 1 Response** and **7.4.3 Safe Deceleration Ramp** in parameter group **7.4 SS1 SS2**.
- With the default settings for parameters in group **7.4 SS1 SS2**, STO is activated after the timer **Maximum time** is expired without any ramping down of the motor when activating the SS1 function.

Parameters are identified with letters in the Safety configuration section in MyDrive® Insight. The letter is given in parentheses after the parameter name for each parameter in [Table 22](#).

Table 22: SS1 Parameters

Parameter name	Selections	Default value	Description
SS1 Instance 1			
Activation configuration (A)	De-energized (Function always on)	Energized (Function always off)	Specifies the safe digital input, which can be associated to the activation of the safety function.
	Safe Input (X31/X32)		
	Energized (Function always off)		
Maximum time (B)	2–3600000 ms	2 ms	The maximum time of the stop procedure.
Delay before monitoring (C) ⁽¹⁾	1–60000 ms	1 ms	The time to ignore the deceleration after the activation of SS1.

Table 22: SS1 Parameters (continued)

Parameter name	Selections	Default value	Description
Delay to detect limited state (D) ⁽¹⁾	1–60000 ms	1 ms	The time the speed has to be within the limits before activating the final state (early activation).
Deceleration limit (E) ⁽¹⁾	1/500 Revolutions / (s*s)	0	The limit for the deceleration. a_SS1 = 0 means "No deceleration monitoring".
Limit for the Speed (F) ⁽¹⁾	2 [^] -16 Revolutions / s	1	The limit within the speed is accepted as 0.
SS1 Instance 2			
Activation configuration (A)	De-energized (Function always on)	Energized (Function always off)	Specifies the safe digital input, which can be associated to the activation of the safety function.
	Safe Input (X31/X32)		
	Energized (Function always off)		
Maximum time (B)	2–3600000 ms	2 ms	The maximum time of the stop procedure.
Delay before monitoring (C) ⁽¹⁾	1–60000 ms	1 ms	The time to ignore the deceleration after the activation of SS1.
Delay to detect limited state (D) ⁽¹⁾	1–60000 ms	1 ms	The time the speed has to be within the limits before activating the final state (early activation).
Deceleration limit (E) ⁽¹⁾	1/500 Revolutions / (s*s)	0	The limit for the deceleration. a_SS1 = 0 means "No deceleration monitoring".
Limit for the Speed (F) ⁽¹⁾	2 [^] -16 Revolutions / s	1	The limit within the speed is accepted as 0.

1) Parameters C–F cannot be configured for SS1-t.

NOTICE

The SS1 delay function does not monitor the stopping of the drive. The time relevant for safety allows the drive to stop before Safe Torque Off is activated, and ensures that the system is stopped before Safe Torque Off is activated.

If a fault occurs, the drive does not come to a stop. It coasts after the time delay regardless of the speed of the drive.


Using SS1 delay may result in the motor still spinning when Safe Torque Off is activated.

- The risk analysis for the machine must indicate that this behavior can be tolerated.
- An interlock may be required.

4.4.7 Saving to Device

After configuring the safety parameters for the application, save them to the device.


1. In MyDrive® Insight, navigate to *Setup & Service > Functional safety > Safety configuration > Save to device*.
2. Click *Accept*.

 The parameters are verified and the status is updated from *Ready* to *Verify*.

4.4.8 Validating and Generating a Commissioning Report

For drives with functional safety option +BEF2, a commissioning report can be generated using MyDrive® Insight. The commissioning report describes the values set for the safety-related parameters in the drive.

1. In MyDrive® Insight, go to *Device > Setup & Service > Functional safety > Validate report*.
2. Go to *Device > Setup & Service > Functional safety > Commissioning Report* to see the commissioning report.


 After commissioning all safety functions, click the download icon on the upper right corner to download the report as a PDF file. It is recommended to save a copy of the commissioning report to an external location.

3. Store the acceptance test reports in the logbook of the machine.

The report must include:

- o A description of the safety application.
- o A description and revisions of safety components that are used in the safety application.
- o A list of all safety functions that are used in the safety application.
- o A list of all safety-related parameters and their values. Listing parameters and values not related to safety is also recommended.
- o Documentation of startup activities, with references to failure reports and resolution of the failures.
- o The test results for each safety function, all safety parameter values including the CRC value of the safety configuration, dates of the tests, and confirmation by the test personnel.

4. Validate the commissioning report.
 - a. Check that the hardware and configuration information is correct and that the software versions of safety-related components and subsystems are correct.
 - b. Check that the information of the commissioned module matches the information in the commissioning plan and commissioning report.

 **IMPORTANT:** After each change or maintenance to the system, new acceptance test reports must be stored in the logbook of the machine.

4.5 Safe Fieldbus

4.5.1 PROFIsafe

PROFIsafe is an additional safety protocol on top of a standard transmission system (PROFINET/PROFIBUS). PROFIsafe uses several technologies to ensure the validity and status of the fieldbus communication, making it reliable to use with safety devices.

These measures include:

- Consecutive numbering.

- Watchdog time monitoring with acknowledgment.
- Codename per communication relationship.
- Cyclic redundancy check for data integrity.

Communication over the non-safe transmission systems is called the "black channel".

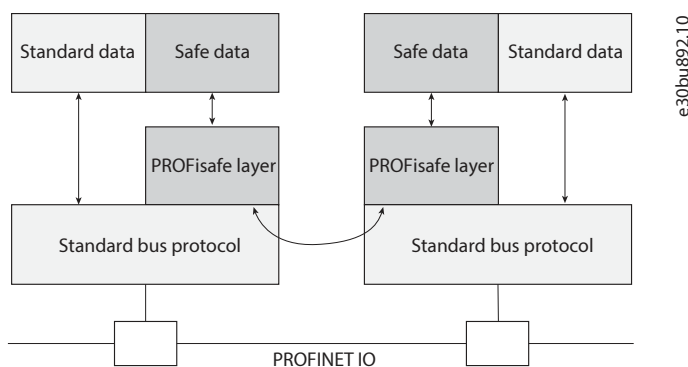


Figure 13: PROFIsafe Communication

4.5.2 PROFIsafe System

The drive can communicate with safety PLC via PROFINET. The exchanged data includes safety-related data and non-safe process data. For safety-related data, it goes through the PROFIsafe frame and matches PROFIdrive format.

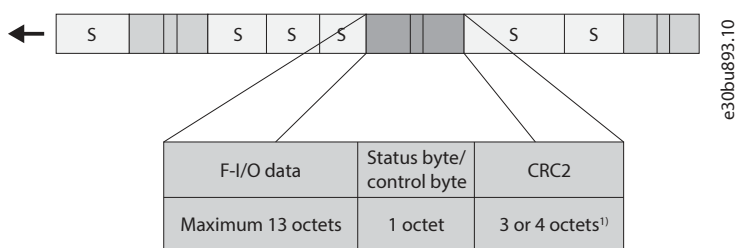
The drive supports PROFIsafe V2.4 and V2.6. V2.6 is forward compatible with V2.4. To provide maximum flexibility and convenience, the GSD file contains 2 modules. Select 1 of the following modules according to the requirement to set up communication between the PLC and drive:

- Standard Telegram 30 (PROFIsafe 2.4): 3 octets CRC checksum
- Standard Telegram 30 (PROFIsafe 2.6.1): 4 octets CRC checksum

4.5.3 PROFIsafe Frame

The PROFIsafe frame, which is exchanged between the safety PLC (F-host) and the safety follower (F-device), includes:

- Safety I/O data (F-I/O), which is used to control the drive safety process.
- A status/control byte, which is used for the PROFIsafe communication.
- A CRC signature, which ensures the validity of the frame.



1) PROFIsafe V2.4 corresponds to 3 octets, and PROFIsafe V2.6 corresponds to 4 octets.

Figure 14: Structure of the PROFIsafe Frame (S=Standard Frame)

To indicate, monitor, and set the safety status of the F-device, see the status and control bytes descriptions in [Table 23](#) and [Table 24](#).

For more details, refer to *PROFIsafe – Profile for Safety Technology on PROFIBUS DP and PROFINET IO Technical Specification*.

Table 23: PROFIsafe Status Byte Description

Bit	Signal	Description
0	iPar_OK	Not used.
1	Device_Fault	Fault in F-device
2	CE_CRC	Communication fault: CRC
3	WD_timeout	Communication fault: watchdog timeout
4	FV_activated	Fail-safe values (FV) activated.
5	Toggle_d	Toggle Bit (F-device)
6	Cons_nr_R	Consecutive number has been reset.
7	–	Reserved

Table 24: PROFIsafe Control Byte Description

Bit	Signal	Description
0	iPar_EN	Not used.
1	OA_Req	Operator acknowledgment
2	R_cons_nr	Reset consecutive number
3	–	Reserved
4	Activate_FV	Fail-safe values (FV) to be activated.
5	Toggle_h	Toggle Bit (F-host)
6	–	Reserved
7	–	Reserved

4.5.4 Parameterization for PROFIsafe

When using the PROFIsafe, the protocol requires specific safety parameters (F-parameters) to be sent from F-host to F-device. These parameter values must be set to the drive via MyDrive® Insight and to F-host via its configuration tool. During startup, the values on the F-host are transmitted to the drive, and the drive checks the values against the values on the drive. The values configured to F-host and F-device must be the same for the safety communication to start.

The safety layer starts whenever the communication channel (PROFINET) is communicating cyclically. An unsuccessful initialization of the PROFIsafe protocol does not affect the PROFINET cyclic communication. The PROFINET cyclic communication can be used to read diagnostic information if the PROFIsafe parameterization fails.

Table 25: Settings in the Safety PLC

Value	Description
F source address	PROFIsafe address of PLC.
F destination address	The value must be the same as the F destination address on the AC drive.

Table 25: Settings in the Safety PLC (continued)

Value	Description
F_WD_Time	The value must be the same as the F_WD_Time on the AC drive.
Safety telegram & F-I/O data of the safety telegram	The value must be the same as the safety telegram in the drive. F-I/O data must be mapped as described in the tables in 4.5.8 PROFIsafe Control Word and 4.5.9 PROFIsafe Status Word .

The following PROFIsafe-related parameters cannot be edited in the drive. They must have the same value in the safety PLC communication to the gateway chip in the drive over PROFIsafe. The values in the following table are defined in the fieldbus GSD description file, which is provided for the gateway chip in the drive by Danfoss, and must not be modified.

! **IMPORTANT:** The drive has Type 1 of F-Address-Check, it means only F_DestAdd is checked by the drive.

! **IMPORTANT:** Perform a commissioning test to ensure the correctness of the iParameter of the drive.

Table 26: Non-editable F-parameters

Parameter	Value	Unit	Description
F check iPar	0 = NoCheck	–	Manufacturer-specific iPar check.
F CRC length	0 = 3 bytes or 4 bytes CRC ⁽¹⁾	–	CRC2 signature length.
F block ID	1 = F iPar CRC within F parameter block	–	Parameter block type identification.
F Par version	1 = V2 Mode	–	Version no. of F parameters.
F SIL	8 = SIL 3	–	Employed SIL level of F-device.

1) Depends on the PROFIsafe version: V2.4, 3 bytes CRC; V2.6, 4 bytes CRC.

4.5.5 PROFIsafe Watchdog Time

Use the F-parameter watchdog time (F_WD_Time) to determine a watchdog time for the communication between F-host and F-device.

The minimum watchdog time has 4 parts:

- DAT = Device Acknowledgment Time. The F-device receives a frame, processes it, and prepares a new frame to send.
- Bus = the transfer time of the frame from the AC drive to the F-host.
- HAT = Host Acknowledgment Time. F-host receives a frame, processes it, and generates a new frame.
- Bus = the transfer time of the frame from the F-host to the AC drive.

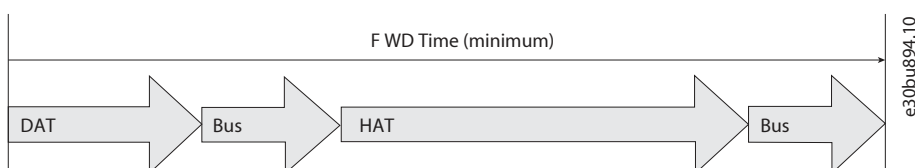


Figure 15: PROFIsafe Watchdog Time

Sometimes, it is difficult to determine the bus transfer time that is used to calculate the watchdog time. For more information on the cycle times, see the user guides of the specific fieldbus. The F_WD_Time can be calculated via the following formula: $F_WD_Time = DAT + HAT + 2 \times BT$

Table 27: Parts of Watchdog Time

Symbol	Name	Description
DAT	Device Acknowledgment Time	60 ms for the complete AC drive system.
HAT	Host Acknowledgment Time	Application-specific.
BT	Bus Cycle Time	The bus cycle time.

The F-parameter F_WD_Time must have a value that is slightly greater than the sum of DAT, HAT, and 2 times the bus transfer time. It is recommended not to exceed the calculated value by more than 30%. Setting a shorter watchdog time does not affect the safety of a system, but it can cause a fault and make the AC drive trip.

For example, if HAT is 4 ms and the PROFINET cycle time is 4 ms, F_WD_Time should be set

to: $F_WD_Time = (DAT + HAT + 2 \times BT) \times 1.3 = (60\text{ms} + 4\text{ms} + 2 \times 4\text{ms}) \times 1.3 = 94\text{ms}$



NOTE: If there is extreme electromagnetic interference, the communication systems use retry mechanisms to increase the robustness of the system. Before setting the F_WD_Time , it is recommended to find the number of retries of each connection and adjust the minimum watchdog time if necessary.

4.5.6 PROFIsafe Safety Function Response Time (SFRT)

PROFIsafe specifies a safety function response time (SFRT), during which the safety system must react to a fault in the system. The SFRT includes all individual delays, including the bus transfer times. All of these elements have minimum and maximum delays, and the actual delay is likely to be somewhere in between these values. For safety reasons, every communication cycle has its own watchdog time $WDTIME_i$ after which the safe state is activated if a fault occurs in that communication cycle.

The safety function response time is calculated using the following formula: $SFRT = \sum_{i=1}^n WCDT_i + \max_{i=1,2,\dots,n} (WDTIME_i - WCDT_i)$

Table 28: Components in the Safety Function Response Time Calculation

Abbreviation	Definition
SFRT	Safety Function Response Time
$WCDT_i$	Worst Case Delay Time of entity i
$WDTIME_i$	Watchdog Time of entity i. See 4.5.5 PROFIsafe Watchdog Time .

Adding the worst case delay times to the components of the safety system gives the total worst case delay time, as stated in [Table 29](#).

Table 29: Time Parameters

Device	Worst case delay time	Watchdog time
The complete AC drive system	120 ms	Recommended 250 ms or more

4.5.7 PROFIdrive on PROFIsafe

The drive supports PROFIsafe standard telegram 30. The following sections describe the PROFIdrive on PROFIsafe standard telegram 30 bits. In a PLC program, address the safety functions using bits while not bytes.

Byte 0 is PROFIdrive on PROFIsafe-specific and byte 1 is vendor-specific.

4.5.8 PROFIsafe Control Word

Table 30: PROFIsafe Control Word

Byte	Bit	Name	Additional information
Byte 0	0	STO	–
	1	SS1_INSTANCE_1	–
	2–6	Not supported	Bits that are not supported are set to 0.
	7	INTERNAL_EVENT_ACK	–
Byte 1	0	ACK_SAFETY	–
	1–7	Not supported	Bits that are not supported are set to 0.

- Byte 0 Bit 0, STO
 - Bit 0.0=0, Safe Torque Off (zero-active).
 - Bit 0.0=1, No Safe Torque Off.
- Byte 0 Bit 1, SS1_INSTANCE_1
 - Bit 0.1=0, safe stop 1 (zero-active).
 - Bit 0.1=1, No safe stop 1.
- Byte 0 Bit 7, INTERNAL_EVENT_ACK
 - When this bit value changes from 1 to 0 (1→0 edge), an acknowledgment is given to the safety fault buffer. Fault entries in the safety fault buffer are shifted to the last acknowledged fault situation. Faults, which are still present or not acknowledgeable, appear again in the actual fault situation. For more information, refer to the PROFIdrive profile description at www.profibus.com.
- Byte 1 Bit 0, ACK_SAFETY
 - Acknowledge safety function (1 → 0) for STO

4.5.9 PROFIsafe Status Word

Table 31: PROFIsafe Status Word

Byte	Bit	Name	Additional information
Byte 0	0	POWER_REMOVED	If STO is triggered by safe DI or by SS1 timer expired, this bit also indicates “active”.
	1	SS1_INSTANCE_1	If SS1 is triggered by safe DI, this bit also indicates “active”.
	2–6	Not supported	Bits that are not supported are set to 0.
	7	INTERNAL_EVENT	–

Table 31: PROFIsafe Status Word (continued)

Byte	Bit	Name	Additional information
Byte 1	0	SAFETY_EVENT	–
	1–2	Not supported	Bits that are not supported are set to 0.
	3	SAFE_INPUT	State of terminals X31/X32 for Safe Input
	4–7	Not supported	Bits that are not supported are set to 0.

- Byte 0 Bit 0, STO
 - Bit 0.0=0, Safe Torque Off inactive.
 - Bit 0.0=1, Safe Torque Off active (one-active).
- Byte 0 Bit 1, SS1_INSTANCE_1
 - Bit 0.1=0, safe stop 1 instance 1 inactive.
 - Bit 0.1=1, safe stop 1 instance 1 (one-active).
- Byte 0 Bit 7, INTERNAL_EVENT
 - Bit 0.7=0, no safety fault.
 - Bit 0.7=1, safety fault present.
- Byte 1 Bit 0 SAFETY_EVENT
 - 1: An unacknowledged safety function is active (STO). The safety node in the drive expects an acknowledge via ACK_SAFETY or local Safe Input.
 - 0: Acknowledge not needed.
- Byte 1 Bit 3 SAFE_INPUT
 - 1: Local Safe Input in the requested state.
 - 0: Local Safe Input not in the requested state.

4.6 Installation

4.6.1 Installation for Frequency Converters with STO, SS1-t, and Safe Fieldbus Support (+BEF2)

Prerequisite: For motor connection, AC mains connection, and control wiring, follow the instructions for safe installation in the documentation shipped with the drive.

All wiring related to functional safety must be done on terminal blocks X31 and X32. See [Figure 16](#) for the location of the terminals.

NOTICE

If multi-stranded wires are used in the installation, ferrules or other suitable means must be used to prevent a single core from short-circuiting with adjacent pins.

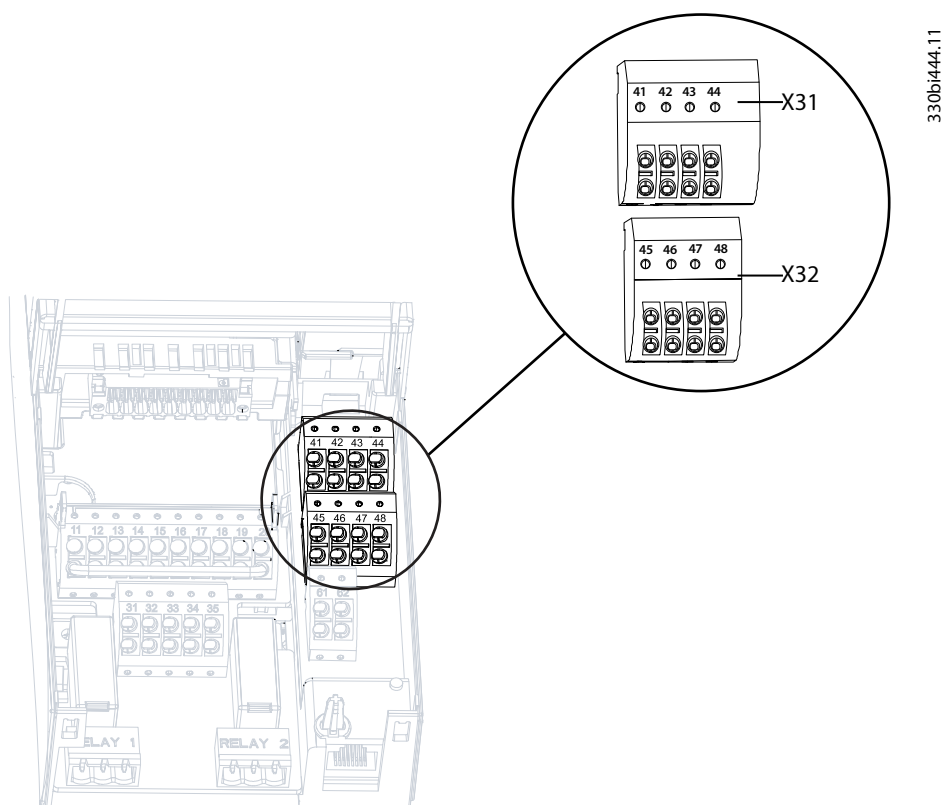


Figure 16: Functional Safety Terminals

Table 32: Functional Safety I/O Terminals in Frequency Converters

Terminal X31			Terminal X32		
Numbering	Terminal name	Functions	Numbering	Terminal name	Functions
41	24 V	+ 24 V DC Output	45	GND	0 V/GND
42	S.INA+	+ Safe Input Channel A	46	S.INA-	- Safe Input Channel A
43	S.INB+	+ Safe Input Channel B	47	S.INB-	- Safe Input Channel B
44	S.FB+	+ STO Feedback	48	S.FB-	- STO Feedback

The frequency converter is shipped without any wiring to the functional safety I/O terminals. As a result, all safe inputs are de-energized and STO is active in the default configuration.

1. If the STO safety function is not needed:
 - Wire the terminal block as shown in [Figure 17](#), or use the STO jumper clips from the accessory bag, and mount them on X31

and X32. This ensures that both safe inputs are energized with 24 V DC for enabling normal operation.

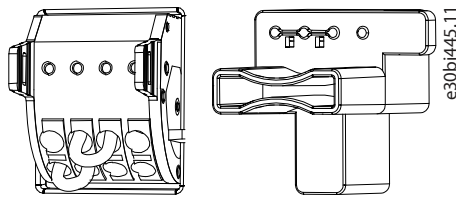


Figure 17: Wired Terminal Block (on the Left) and STO Jumper Clip (on the Right)

- Configure the STO parameter **Activation Configuration (A)** to **Energized (Function always off)**. For more information about the parameter, see [4.4.2 General Functional Safety Parameters](#).

4.6.2 Connection Examples

Due to the galvanic isolation of the STO inputs, various connections and different polarities are possible in the wiring. For example, connect a safety actuator to STO input terminals, and set the voltage references as shown in [Figure 18](#) and [Figure 19](#). Setups with the same voltage level on both channels (+24 V) are supported, but also setups with different voltage levels (+24 V and GND) are supported.

NOTICE

DANGEROUS VOLTAGE LEVEL

- To avoid stacking and drifting of voltages to a dangerous level, GND PELV of the drive and the external safety device must be interconnected.

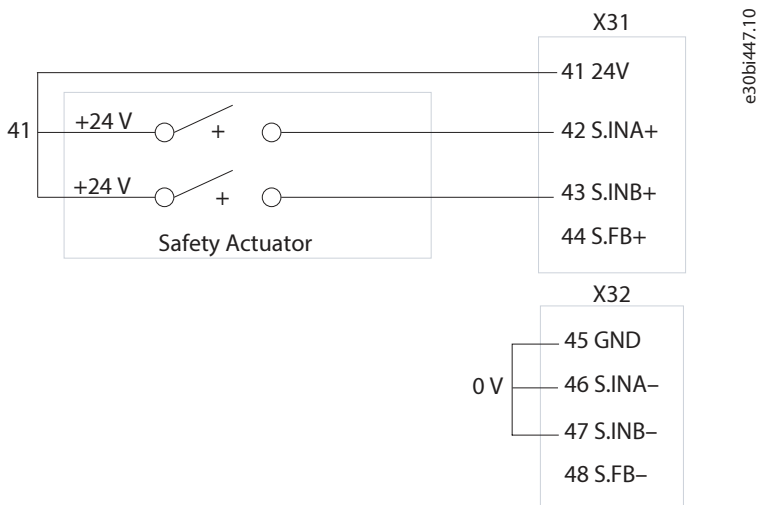
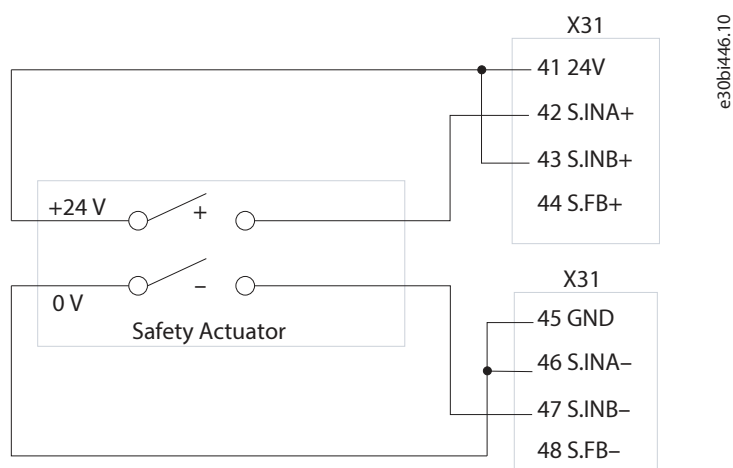


Figure 18: STO Connection Example for Using the Same Polarities (Channel A and Channel B = 24 V)



e30b/446.10

Figure 19: STO Connection Example for Using Different Polarities

For other wiring examples, see application software documentation.

4.7 Configuration Tools

4.7.1 Overview

MyDrive® Insight is a platform-independent software tool for the commissioning, engineering, and monitoring drives. MyDrive® Insight is also used to configure the parameters of the drive.

MyDrive® Insight is the only tool to set up the standard safety-related functions and features of iC7 drives. Advanced safety functions and safe fieldbuses require MyDrive® Insight.

For detailed information on MyDrive® Insight features, see the online help in MyDrive® Insight.

4.7.2 System Configuration Security

iC7 drives are equipped with mandatory and configurable security features that prevent unauthorized access to the drive, ensure secure connectivity to the drive, and protect the drive against unauthorized software modifications.

For more details on the security features included in the application software, refer to application software documentation.

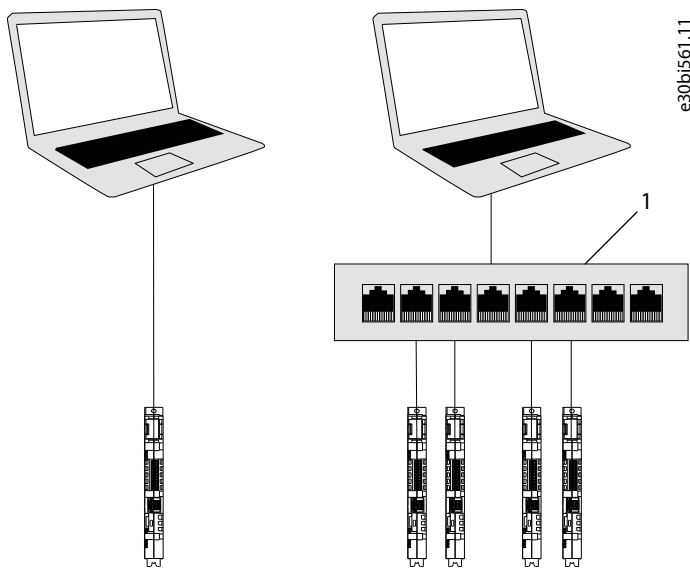
Configurable security features can be adjusted according to application requirements. The parameters related to safety are password-protected.

4.7.3 Preparing for a PC Connection

Use these instructions to connect the drive or several drives to a PC with an RJ45 cable.

1. Connect an RJ45 cable to the PC.

To connect several drives at the same time, use an Ethernet switch between the PC and the control unit.



1 Ethernet switch

Figure 20: Connecting the Drive to a PC

2. Connect the cable coming from the PC or from the Ethernet switch to the Ethernet port X0 on the control unit of the drive.
3. See the Application Guide for information on the next steps.

4.7.4 MyDrive® Insight

4.7.4.1 Installing MyDrive® Insight

1. To install the tool, go to <https://suite.mydrive.danfoss.com/content/tools>.
2. Install MyDrive® Insight.

For more information on how to use the tool, see the online help in MyDrive® Insight.

3. Use MyDrive® Insight to connect the drive to a PC.

4.7.4.2 Backing up and Restoring Parameters

The parameter backup and restore functionality in MyDrive® Insight can be used to back up and restore all or part of the drive parameters.

1. Log into MyDrive® Insight® as admin.
2. Go to *Device > Setup & Service > Parameters > Live*.
3. Click *Create backup/Restore* on the menu bar.

What to do next: For more information, see the MyDrive® Insight documentation.

4.7.4.3 Performing a Factory Reset

The factory reset can be performed separately for each parameter group, or for all settings.

1. In MyDrive® Insight, go to *Device > Setup & Service > Restore > Select Restore Content*.
 - To reset all settings, select *All Settings*.
 - To reset only the functional safety settings, select *Functional Safety Configuration Variables*.

- ➔ After performing a factory reset, all parameters are in a **Not commissioned** state and their values are restored to default values. A factory reset also resets the user name and password to their defaults. Parameters must be configured again or alternatively, restored from a backup.

NOTICE

After performing a factory reset, all parameters have to be checked and set again.

- Parameters for safety functions that are not used must also be checked. For example, parameters must also be checked for SS1 functions, even if only STO function is used and vice versa.

4.7.4.4 Updating Software

Prerequisite:

NOTICE

- The drive must not be running during the update process.
- Updating software related to functional safety requires logging into MyDrive® Insight with the default admin account in the drive.

Do not power down or restart the devices during a software update. Creating a backup of the current parameters before updating any software is highly recommended, in case parameters need to be restored after the software update is completed. For instructions, see [4.7.4.2 Backing up and Restoring Parameters](#).

1. Log into MyDrive® Insight as admin.
2. In MyDrive® Insight, go to *Device > Setup & Service > Software update*.
3. To update software, select the file to be updated in the drive.
4. If relevant, select *Allow devices to restart* to allow the devices to restart after the update is finished. This selection is optional.
5. Check the installed version, available version, and status.
6. Click *Update*.
7. Check the alert message and click *Yes/No*.
8. Click *Done* to acknowledge and finish the update.
9. Verify that the software update has been successful.
 - a. Go to *Device info > Extended device information* and verify the firmware version.
 - b. Run the commissioning test.

A commissioning test is required after each modification of the installation of an application that involves safety functions. For more information, see [4.8.2 Commissioning Test](#).

What to do next: For more information, see the MyDrive® Insight documentation.

Troubleshooting the software update

1. Restart the device.
2. Check that the device is in normal state and there are no errors.
3. Check the software package version and compatibility, and retry the software update.

If the problem persists and the device stays in error mode, contact Danfoss.

4.8 Commissioning

4.8.1 Commissioning Safety

When commissioning or recommissioning the system, observe the following:

- Secure the site in accordance with regulations, for example barriers or warning signs. Only qualified personnel can commission or recommission the system.
- Check the documentation of the machine control system for detailed information and specifications.
- Make sure that no personal injury or material damage can occur during the commissioning or recommissioning, even if the plant or machine moves unintentionally.
- Before starting the commissioning, read all safety guidelines and precautions in the drive-specific documentation.
- Observe applicable laws and legislation when running a system without safety or with reduced safety.
- Be aware that the commissioning report focuses on iC7 functional safety and is not necessarily sufficient for the testing and documenting of all safety functions in the system or machine.

4.8.2 Commissioning Test

The commissioning test for systems with safety functions is focused on validating the functionality of safety functions configured in the drive system. The test objective is to verify proper configuration of the defined safety functions and to examine the response of specific monitoring functions to the explicit inputs of values outside tolerance limits. The tests must cover all drive-specific safety functions running in the final setup.

A commissioning test is required:

- After the configuration of each machine
- After any changes to the drive safety configuration
- After changes to the machine (as per applicable standards and regulations)
- After the exchange of the complete drive, or any safety-related hardware or software.

During and after the commissioning:

- Document each individual step of the test.
- Note the checksum of the drive safety configuration in records.
- Do not release the system unless the system has successfully passed all individual steps of the test.
- Restart the drive and check that the motor runs normally.

NOTICE

COMMISSIONING TEST

After installing the safety functions, perform a commissioning test.

A successful commissioning test is required after the initial installation, and after each change to the installation or application involving functional safety.

If the commissioning test fails, safe operation cannot be guaranteed.

4.8.3 Commissioning Checklist

The system integrator/machine manufacturer must perform a commissioning test of the iC7 safety functions to verify and document the correctness of the safety configuration. The system integrator/machine manufacturer hereby proves to have tested the effectiveness and the completeness of the safety functions used. The commissioning tests must be performed based on the risk analysis. All applicable standards and regulations must be adhered to.

Before the commissioning test:

- Check that the machine is properly wired.
- All safety equipment, such as protective door monitoring devices, light barriers, or emergency stop switches are connected and ready for operation.
- All motor parameters and command parameters are correctly set on the drive.

Table 33: Commissioning Checklist for Frequency Converters with +BEF2

Check type	Task	Approved
Mechanical installation	Check that the units have been installed according to the documentation included in the shipment.	<input type="checkbox"/>
	Check that the operating conditions are within the allowed range.	<input type="checkbox"/>
	Check that the packaging materials and tools have been removed from the installation area.	<input type="checkbox"/>
Electrical installation	Check that the appropriate supply (input power) fuses are installed.	<input type="checkbox"/>
	I/O wiring is appropriately clamped, marked, tightened, and protected.	<input type="checkbox"/>
Functional safety commissioning	Check that the system is in an operational state when the safety function is required.	<input type="checkbox"/>
	Make sure that the acknowledgment method has been configured appropriately for the application (for example, manual or automatic acknowledgment).	<input type="checkbox"/>
	Activate the safety function by requesting it.	<input type="checkbox"/>
	Verify that the system functions as desired.	<input type="checkbox"/>

4.8.4 Commissioning Test for Safety Function STO

Table 34: Commissioning Test for STO

Test procedure	Approved
1 Power on the frequency converter.	<input type="checkbox"/>
2 Make sure that the other STO function parameters are configured correctly.	<input type="checkbox"/>
3 Check that no safety faults are present.	<input type="checkbox"/>
4 Make sure that the motor runs and stops freely.	<input type="checkbox"/>
5 Remove the 24 V DC voltage supply to safe input terminals using the safety device while the frequency converter drives the motor (that is, the mains supply is not interrupted). Alternatively, activate the STO function via the safe fieldbus.	<input type="checkbox"/>
6 Make sure that the drive STO is activated immediately after the STO request.	<input type="checkbox"/>
7 If STO feedback is used, check the state of the STO feedback to verify that STO is activated. See Figure 12 .	<input type="checkbox"/>
8 Verify that the motor coasts. It may take a long time for the motor to stop.	<input type="checkbox"/>

Table 34: Commissioning Test for STO (continued)

Test procedure		Approved
9	If a control panel is mounted, check if STO activated is shown on the control panel.	<input type="checkbox"/>
	If the control panel is not mounted, check if STO activated is listed in the event log.	
10	Reapply 24 V DC to STO inputs or deactivate the STO request via the safe fieldbus.	<input type="checkbox"/>
11	<p>If the frequency converter is configured to direct restart: By deactivating the STO request, the motor becomes operational and runs within the original speed range.</p> <p>If automatic acknowledgment is not used: Set an acknowledgment (for example, with an acknowledgment button).</p> <p>The acknowledgment is configured in the safety parameters.</p>	<input type="checkbox"/>
12	Check that there are no unwanted errors in the drive.	<input type="checkbox"/>
13	Ensure that the motor becomes operational and runs within the original speed range.	<input type="checkbox"/>

4.8.5 Commissioning Test for Safety Function Safe Stop 1 Time-controlled (SS1-t)


Table 35: Commissioning Test for STO Applications using Safe Stop 1 Time-controlled (SS1-t)

Test procedure		Approved
1	Power on the frequency converter.	<input type="checkbox"/>
2	Make sure that the SS1-t function parameters are configured correctly.	<input type="checkbox"/>
3	Check that no safety faults are present.	
4	Make sure that the motor runs and stops freely.	<input type="checkbox"/>
5	Request the SS1-t function by de-energizing the inputs assigned to it. Alternatively, activate the function via the safe fieldbus.	<input type="checkbox"/>
6	Verify that the motor ramps down within the configured maximum time. The configured time is shown in the commissioning report.	<input type="checkbox"/>
7	If a control panel is mounted, check if STO activated is shown on the control panel.	<input type="checkbox"/>
	If the control panel is not mounted, check if STO activated is listed in the event log.	
8	If STO feedback is used, check the state of the STO feedback to verify that STO is activated. See Figure 12 .	<input type="checkbox"/>
9	Energize the inputs that are assigned to the STO function, or deactivate the STO request via fieldbus.	<input type="checkbox"/>
10	<p>If the frequency converter is configured to direct restart: By deactivating the safety function request, the motor becomes operational and runs within the original speed range.</p> <p>If automatic acknowledgment is not used: Set an acknowledgment (for example, with an acknowledgment button).</p> <p>The acknowledgment is configured in safety parameters.</p>	<input type="checkbox"/>
11	Ensure that the motor becomes operational and runs within the original speed range.	<input type="checkbox"/>

4.8.6 Validating and Generating a Commissioning Report

For drives with functional safety option +BEF2, a commissioning report can be generated using MyDrive® Insight. The commissioning report describes the values set for the safety-related parameters in the drive.

1. In MyDrive® Insight, go to *Device > Setup & Service > Functional safety > Validate report*.
2. Go to *Device > Setup & Service > Functional safety > Commissioning Report* to see the commissioning report.


 After commissioning all safety functions, click the download icon on the upper right corner to download the report as a PDF file. It is recommended to save a copy of the commissioning report to an external location.

3. Store the acceptance test reports in the logbook of the machine.

The report must include:

- o A description of the safety application.
- o A description and revisions of safety components that are used in the safety application.
- o A list of all safety functions that are used in the safety application.
- o A list of all safety-related parameters and their values. Listing parameters and values not related to safety is also recommended.
- o Documentation of startup activities, with references to failure reports and resolution of the failures.
- o The test results for each safety function, all safety parameter values including the CRC value of the safety configuration, dates of the tests, and confirmation by the test personnel.

4. Validate the commissioning report.
 - a. Check that the hardware and configuration information is correct and that the software versions of safety-related components and subsystems are correct.
 - b. Check that the information of the commissioned module matches the information in the commissioning plan and commissioning report.

 **IMPORTANT:** After each change or maintenance to the system, new acceptance test reports must be stored in the logbook of the machine.

4.9 Operation and Maintenance

4.9.1 Overview of Functional Tests

Safety functions in the drive do not require scheduled functional tests or proof testing. Refer to application-specific standards and requirements for scheduled functional and proof testing. Drive safety system mission time is 20 years. After 20 years, the whole unit must be replaced.

WARNING

COMPONENT FAILURE IN FUNCTIONS RELATED TO SAFETY

If a component failure occurs in functions related to safety, the drive must be replaced by authorized personnel.

- It is not allowed to modify or repair the safety circuitry in any way.

4.9.2 Diagnostics

The iC7 drives include many diagnostic functions to ensure the integrity of safety functions. Diagnostics are, for example, temperature monitoring, internal voltage monitoring, and safety function monitoring. The drive issues functional safety-related fault codes if any are present. For safety related fault codes, see [4.10.4 Event List](#).

The Diagnostic Test Interval (DTI) depends on the safety function and the diagnostic function. The maximum DTI and Fault Reaction Time (FRT) for each safety function are listed in [4.11.1 Functional Safety Standards and Performance](#).

If functional safety-related diagnostics detects a failure, the relevant safety functions are always set to a safe state.

Multiple undetected hardware failures may lead to a mode where an external STO request does not lead to the de-energizing of the motor. The PFH/PFD and MTTF values stated in [4.11.1 Functional Safety Standards and Performance](#) reflect the probability of this fault. Any other STO-related, internal failures lead directly to an unrequested activation of the STO function, or affect only 1 of the 2 redundant STO channels.

4.9.3 Installation and Maintenance in High Altitudes

If the drive is used in high altitudes, additional measures must be taken to ensure the integrity of the safety system. Since the safety system includes controllers which are affected by cosmic radiation, it must be taken into account that the cosmic ray flux is higher in high altitudes. The higher the flux of cosmic rays is, the higher is the risk of Soft Error Rate (SER) affected to the controllers.

Because SER affects the PFD and PFH values of the drive, the performance of the safety system is affected by high altitude. PFD and PFH values are given for different altitudes.

Table 36: PFD and PFH Values and Altitude

Altitude	Average probability of dangerous failures on demand (PFDavg)	Average frequency of dangerous failures per hour (1/h) (PFH)
Up to 1000 m (3300 ft)	$2 \cdot 10^{-4}$	$8 \cdot 10^{-9}$
Up to 2000 m (6600 ft)	$3 \cdot 10^{-4}$	$1 \cdot 10^{-8}$
Up to 4400 m (14400 ft)	$5 \cdot 10^{-4}$	$2 \cdot 10^{-8}$

4.9.4 Drive Replacement

If an internal fault leads to a permanent defect, the drive must be replaced. The safety system components are not repairable.

After the faulty drive has been replaced, it must be commissioned. Refer to the product-specific guides for details and instructions for commissioning the drive, and also follow the procedures described in chapter [Commissioning](#).

4.10 Troubleshooting

4.10.1 Status LEDs

Table 37: Status LEDs

LED	Color	Status	Meaning
Ready	White	Off	Check if: <ul style="list-style-type: none"> The drive is powered off. The drive is not ready.
		Blinking	The drive is starting up.
		Steady	There are no active faults, and the drive is ready to operate.
Warning	Orange	Off	There is no warning.
		Steady	The drive is not ready to run. Check if: <ul style="list-style-type: none"> Safety configuration is needed. STO active or STO acknowledge is needed. IO Failure or IO Failure acknowledge needed. STO response is configured as fault (with application).
Fault	Red	Off	There are no active faults and the drive is ready to operate.
		Steady	The drive is in a faulty state. The fault condition may have been triggered due to 1 of the following reasons: <ul style="list-style-type: none"> Power unit and control connection failure Hardware or software errors in the drive

4.10.2 Instances of the STO Feedback Signal

For details on STO feedback signals, see [Table 17](#).

4.10.3 Safety Function Fault Recovery

A fault in a safety circuit can lead to safe state or fail-safe state activation. STO activation is determined by the event list in MyDrive® Insight and on the control panel.

With a fail-safe state, STO is activated, and a relevant fault code is shown. Reset the fault before performing normal operation.

1. Check the reason for the event in the MyDrive® Insight event log.
2. Refer to [4.10.4 Event List](#) for instructions on how to repair the cause of the fault.
3. Reset the fault.
 - If the fault is configured to direct restart: By deactivating the Emergency Stop button, the motor becomes operational and runs within the original speed range.
 - If the drive stays in a non-operating state after removing the fault, check the event log in MyDrive® Insight.
 - If safe or non-safe acknowledgment is required, perform the acknowledgment via a configured channel by sending an acknowledgment signal via fieldbus, digital I/O, or the control panel.

The acknowledgment is configured in safety parameters.

If a failure in the safety system or a safety function prevents fault recovery, contact a local Danfoss representative. Provide the commissioning report of the safety parameter configuration. For more information, see the MyDrive® Insight documentation.

4.10.4 Event List

Table 38: Group 0x54FE

Number	Name	Cause	Solution
4628	STO activated.	Safe Torque Off has been activated.	If STO is activated unintentionally, check the following: <ul style="list-style-type: none"> • input cabling • external activation • external test pulse timing • relevant safety parameters

Table 39: Group 0x61FF

Number	Name	Cause	Solution
4608	Internal failure	An internal failure was detected in the safety system.	Restart the system. If the problem persists, contact Danfoss customer support.
4609	IO failure detected	An IO failure was detected in the safety system. See event details for more information.	Check the safety IO circuit connections. If an external test pulse is used, ensure that the timing is within specification. See 3.1.6 STO Properties .
4611	SS1	Safe Stop 1, instance 1 has been activated.	If SS1 is activated unintentionally, check the following: <ul style="list-style-type: none"> • input cabling • external activation • external test pulse timing • relevant safety parameters
4612	SS1	Safe Stop 1, instance 2 has been activated.	If SS1 is activated unintentionally, check the following: <ul style="list-style-type: none"> • input cabling • external activation • external test pulse timing • relevant safety parameters
4613	Warning detected	Detected a non-critical failure. The operation can continue.	Check event logs and messages in the user interface for additional information.
4614	Startup acknowledgment needed	Startup acknowledgment is needed.	Depending on the configuration, the acknowledgment can be given via: <ul style="list-style-type: none"> • Safe input • MyDrive® Insight • Fieldbus interface • Control panel
4615	Configuration mismatch	The detected safety system differs from the commissioned system.	If an advanced safety unit is replaced, recommission the system.

Table 39: Group 0x61FF (continued)

Number	Name	Cause	Solution
4616	No valid safety parameters available	The safety parameters are invalid or not present in the device.	Check the safety configuration in My-Drive® Insight. Make sure that all configuration steps are successfully verified and validated. Recommissioning of the safe module is required.
4617	PsAlarmFdestAddMismatch	Mismatch of safety destination address.	Make sure that the addresses on the PLC and the drive match.
4226	PsAlarmWdTimeout	Timeout in communication to safe module. F_WD_Time or F_WD_Time_2 elapsed.	Increase the F_WD_Time or F_WD_Time_2.
4633	Software update on safety module	Advanced safety unit is in a software update state.	The device stays in a safe state until the software update is successfully finished.
4634	Factory reset	Factory reset action triggered by the user.	After the factory reset has been performed, the safety configuration needs to be recreated.
4635	Safety configuration changed	Safety parametrization action triggered by user.	The safety configuration has been changed. Ensure that the configuration is correct before continuing. Major safety configuration changes may require a system restart.
4636	IO failure acknowledgment needed	Due to the configuration, IO acknowledge is needed.	If enabled, the safety function may require an acknowledgment to continue operation after a signal failure has been cleared.
4637	STO acknowledgment needed	Due to the configuration, STO acknowledge is needed.	If enabled, the safety function may require an acknowledgment to continue operation after a STO condition has been cleared.
4650	Parameter dependency checks failed	Check of the safety parameters failed.	Ensure that the safety configuration is valid. The possible errors may be related to: <ul style="list-style-type: none"> • input signal mapping • output signal mapping • timing parameters
4651	Parameter range check	The value of a parameter is out of the allowed range. The variable ID is provided as detail.	Make sure that the value of the given variable is set in the allowed range.

Table 39: Group 0x61FF (continued)

Number	Name	Cause	Solution
4652	Parameterization step failed	An attempt to change safety parameters failed.	<p>Check if there is any detailed information in MyDrive® Insight.</p> <p>Make sure that the requested safety parameter change is valid.</p> <p>Check that the drive system does not have any unrelated special conditions, such as software update or drive commissioning, active.</p> <p>Try restarting the drive system.</p> <p>If the problem persists, contact Danfoss customer support.</p>
4730	Information	Additional information from the advanced safety unit. See details.	<p>The safety module has raised an indication that needs to be informed to the user. Further details can be found via the MyDrive® Insight event details.</p>

4.11 Specifications

4.11.1 Functional Safety Standards and Performance

All safety functions in the iC7 frequency converters meet the requirements of the standards listed in this chapter.

Table 40: Functional Safety Standards and Performance

Directive or Standard		Version
European Union directives	Machinery Directive (2006/42/EC)	EN ISO 13849-1:2015, EN ISO 13849-2:2012
		EN IEC 61800-5-2:2007
	EMC Directive (2014/30/EU)	EN IEC 61800-3:2018 – second environment
		EN IEC 61326-3-1:2017
	Low Voltage Directive (2014/35/EU)	EN IEC 61800-5-1:2017
Safety standards	Safety of Machinery	EN ISO 13849-1:2015, IEC 60204-1:2018
	Functional Safety	IEC 61508-1:2010, IEC 61508-2:2010, IEC61508-3:2010, EN IEC 61800-5-2:2017
Safety function		EN IEC 61800-5-2:2017 Safe Torque Off (STO), Safe Stop 1 (SS1-t)
		IEC 60204-1:2018 Stop Category 0, Stop Category 1

Table 40: Functional Safety Standards and Performance (continued)

Directive or Standard	Version	
Safety performance	IEC 61508:2010	
	Safety Integrity Level	SIL 3
	Hardware Fault Tolerance (HFT)	1
	Subsystem Classification	Type B
	Average probability of dangerous failures on demand (PFDavg) ⁽¹⁾⁽²⁾	$< 1.5 \cdot 10^{-4}$
	Average frequency of dangerous failures per hour (1/h) (PFH) ⁽¹⁾⁽²⁾	$< 7.5 \cdot 10^{-9}$
	Proof Test Interval (T1)	20 years
	Mission Time (TM)	20 years
	ISO 13849-1:2015	
	Category	Cat 3
	Performance Level (PL)	PL e
	Mean time to dangerous failure (MTTFd)	High (> 100 years)
	Diagnostic Coverage (DCavg)	>90%
	Reaction time	Fault Reaction Time (FRT)
Response time	Response time (from input to safe state)	< 30 ms ⁽³⁾
Mode of operation	High demand, Low demand	

1) At sea level

2) Proof tests can only be performed at Danfoss facilities when the drive is refurbished.

3) Input to output response time with shielded cables. Otherwise, a maximum of 20 ms might be added to this value under worst case EMC conditions.

4.11.2 Technical Data

Table 41: 24 V Digital Input for Frequency Converters with STO, SS1-t, and Safe Fieldbus Support (+BEF2)

Function	Data
Input type	Single-ended/floating
Logic	PNP
Voltage level	0–24 V DC
Voltage level, logic 0 PNP	<5 V
Voltage level, logic 1 PNP	>11 V
Maximum voltage on input @ functional	30 V
Maximum voltage on input @ safe state	60 V
Input current	8 mA > I _c > 5 mA @ 24 V
Equivalent input resistance	3 kΩ < R _i < 4.7 kΩ @ 24 V

Table 41: 24 V Digital Input for Frequency Converters with STO, SS1-t, and Safe Fieldbus Support (+BEF2) (continued)

Function	Data
Isolation	Functional
Reverse polarity protection	Yes
Maximum input current off-state	< 2 mA

Table 42: 24 V Digital Outputs for STO Feedback

Function	Data
Output type	Sink/source
Voltage rating	24 V DC open collector/60 V maximum
Current rating	50 mA
Isolation	Yes
Overload protection	Yes
Reverse polarity protection	Yes
ON state voltage	>17.4 V
Off state leakage current	0.1 mA

Table 43: Auxiliary Voltages

Function	Data	
24 V output, functional safety (X33)	Output voltage	24 V ±15%
	Maximum load	100 mA

4.11.3 Operating Conditions

Table 44: Operating Conditions for Functional Safety

Function	Data
Operating temperature	According to the AC drive specifications.
Storage temperature	-40 °C...+70 °C (-40 °F...+158 °F)
Air humidity	According to the AC drive specifications (non-condensing).
Operating altitude	According to the AC drive specifications.
Environmental conditions	The product must be installed in an environment corresponding to EN IEC 61800-5-1:2017 PD2 – non-condensing. For PD2 condensing environments, the product must be installed in IP54/NEMA 12 cabinet as per EN IEC 60529 AMD 2:2013, or equivalent.

Check the operating conditions for each drive from the product-specific design guide or operating guide. Latest versions of Danfoss product guides are available for download at <https://www.danfoss.com/en/service-and-support/documentation/>.

4.11.4 Cable Specifications

Table 45: Cable Sizing for Connectors X31, X32

Wire type	Cross-section [mm ² (AWG)]	Stripping length [mm (in)]
Solid	0.5–1.5 (24–16)	10 (0.4)
Flexible	0.5–1.5 (24–16)	10 (0.4)
Flexible with ferrule w/o plastic sleeve	0.5–1.5 (24–16)	10 (0.4)
Flexible with ferrule w plastic sleeve	0.5 (24)	10 (0.4)

Danfoss A/S
Ulsnaes 1
DK-6300 Graasten
drives.danfoss.com

.....
Any information, including, but not limited to information on selection of product, its application or use, product design, weight, dimensions, capacity or any other technical data in product manuals, catalog descriptions, advertisements, etc. and whether made available in writing, orally, electronically, online or via download, shall be considered informative, and is only binding if and to the extent, explicit reference is made in a quotation or order confirmation. Danfoss cannot accept any responsibility for possible errors in catalogs, brochures, videos and other material. Danfoss reserves the right to alter its products without notice. This also applies to products ordered but not delivered provided that such alterations can be made without changes to form, fit or function of the product. All trademarks in this material are property of Danfoss A/S or Danfoss group companies. Danfoss and the Danfoss logo are trademarks of Danfoss A/S. All rights reserved.
.....

M00323

