

ENGINEERING
TOMORROW

Danfoss

Catalog

Optyma™ condensing units



Easy

installation, easy
service and reliable
performance

www.danfoss.us/aftermarket

Optyma™ condensing unit features	4
Optyma™ Indoor Condensing Units	5
Optyma™ condensing unit R134a - MBP	6
Optyma™ condensing unit R404A/R507 - MBP	10
Optyma™ condensing unit R448A/R449A - H/MBP	14
Optyma™ condensing unit R448A/R449A - MBP	16
Optyma™ condensing unit R452A - MBP	18
Optyma™ condensing unit R404A/R507 - LBP	20
Optyma™ condensing unit R290 – L/MBP	24
Spare parts	26
Spare parts & accessories list	29
Electrical wiring diagrams	31
Dimensions	37
Optyma™ Slim Outdoor Condensing Units	42
Optyma™ Slim condensing unit R448A/R449A - MBP	43
Optyma™ Slim condensing unit R134a - MBP	47
Optyma™ Slim condensing unit R404A/R507 - MBP	51
Optyma™ Slim condensing unit R452A - MBP	55
Optyma™ Slim condensing unit R448A/R449A - LBP	59
Optyma™ Slim condensing unit R404A/R507 - LBP	61
Optyma™ Slim condensing unit R452A - LBP	63
Optyma™ Slim Spare parts & accessories - MBP	65
Optyma™ Slim Spare parts & accessories - LBP	66
Optyma™ Slim Spare parts & accessories - WK (MBP) & WL (LBP)	67
Electrical wiring diagrams	68
Dimensions	74

Optyma™ condensing unit nomenclature / model no.

Application	Design	Refrigerant	Condenser size	HP rating	Certification	Version	Electrical code
H	N	X	M	0300	U	WG000	Q

Application:

L: Low
H: High or Medium / High
M: Medium or Low/Medium
U: Universal Low / Medium / High

Design:

C: Air cooled condenser, Single fan, Recip
J: Air cooled condenser, Slim Design, Recip
G: Air cooled condenser, Twin fan, Recip
N: Air cooled condenser, Slim Design, Scroll
R: Air cooled condenser, Twin fan, Scroll

Refrigerant:

G: R134a
H: R404A/R507/R452A
M: R22 Replacement
N: R290
Z: R404A/R507A/R134a*/R448A/R449A/R452A
X: R448A/R449A/R404A/R507A/R134a/R452A
Y: R448A/R449A/R404A/R507A/R452A
S: R410A/R454B

Condenser size:

C: Fin and Tube condenser size 110F ambient
M: Microchannel Condenser size 115F ambient

HP rating:

HP rating in hundredths of HP,
i.e.: 0033=1/3 HP, 1000 = 10 HP

Certification:

R: UL Recognized
U: UL Listed

Electrical code:

B: Compressor & fan(s), 115V, 1ph, 60 Hz
N: Compressor & fan(s), 230V, 1ph, 60 Hz
Q: Compressor 208-230V, 3ph, 60 Hz
Fan(s) 230V, 1ph, 60 Hz
R: Compressor 460V, 3ph, 60 Hz
Fan(s) 460V, 1ph, 60 Hz

Version:

DF: Plastic baseplate
WA: Power cord
WB: Power cord, Receiver
WC: Electrical box, Receiver
WD: Electrical box, Receiver, Low pressure control
WE: Electrical box, Receiver, Dual pressure control, Fan cycling control, larger than 3HP dual fan units use KPU fan cycling control
WF: WE + Filter drier, Sight glass, Solenoid valve with coil
WG: BX, Receiver, Dual pressure control, Fan speed controller or Fan cycling, Defrost Timer, Outdoor enclosure (MBP)
WH: Electrical box, Receiver, Dual pressure control, Fan speed controller or Fan cycling, Defrost timer, Outdoor enclosure, Suction Accumulator (LBP)
WJ: Electrical box, Receiver, Dual pressure control, Fan cycling control, Filter drier, Sight glass
WK: WG + Low Ambient Temperature
WL: WH + Low Ambient Temperature

* R134a is available in MBP only

Rating Conditions (ARI)

Application	LBP	MBP/HBP
Ambient Temp	90°F	90°F
Return Gas	40°F	65°F
SubCooling	5°F	5°F

OPTYMA MADE IN USA

Model:

Danfoss Code:

Serial Number:

Compressor: 115V-60Hz-1Ph LRA43.1A RLA8.9A
Fan Motor: 115V FLA 0.45 A
MCA: 11.6 A
Max. Fuse/HACR breaker: 20.0

Design Pressure: Low/High side 87/185psi
Refrigerant: R134a
Oil Type: Polyolester

Wiring diagram: 119-3987

HCGC0033RWB000B (Model no.)

114N2022 (Code no.)

Date Code:
XXXXXXXXAU0116
7 digits = serial #
AU = Assembled in US
01 = Week of Manufacture
16 = Year of Manufacture

OPTYMA ASSEMBLED IN MEXICO

Model:

Danfoss Code:

Serial Number:

Compressor: 115V-60Hz-1Ph LRA43.1A RLA8.9A
Fan Motor: 115V FLA 0.45 A
MCA: 11.6 A
Max. Fuse/HACR breaker: 20.0

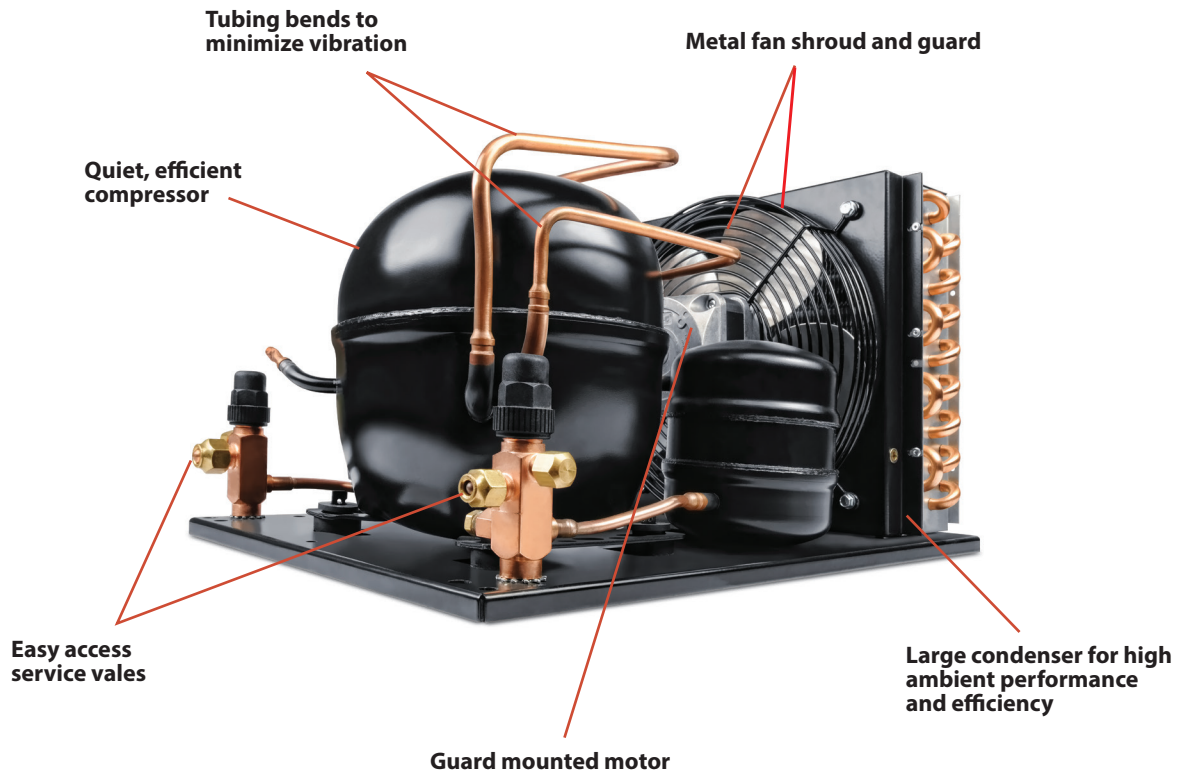
Design Pressure: Low/High side 87/185psi
Refrigerant: R134a
Oil Type: Polyolester

Wiring diagram: 119-3987

HCGC0033RWB000B (Model no.)

114N2022 (Code no.)

Date Code:
XXXXXXXXAM0116
7 digits = serial #
AM = Assembled in Mexico
01 = Week of Manufacture
16 = Year of Manufacture



Fan	Model no	Version	Electrical code	Code no	Compressor model	Amb. temp.	Capacity range in (btu/hr) at evaporating temperature										Power consumption [W] at evap. temp. 20 F
						°F	0	5	10	15	20	25	30	35	40	45	
Single fan	UCGC0020R	WA	B	114N2017	NF6.1FX.2	90	1050	1200	1350	1500	1700	1850	2050	2250	2450	2700	250
						95	1000	1150	1300	1450	1600	1800	2000	2200	2400	2600	
						100	950	1100	1250	1400	1550	1750	1900	2100	2300	2500	
						110	900	1000	1150	1300	1450	1600	1800	1950	2150	2350	
	UCGC0025R	WB	B	114N2019	NF7.3FX.2	90	1250	1400	1600	1750	1950	2150	2400	2600	2850	3100	350
						95	1200	1350	1550	1700	1900	2100	2300	2500	2750	3000	
						100	1150	1300	1450	1650	1800	2000	2200	2450	2650	2900	
						110	1050	1200	1350	1550	1700	1900	2050	2250	2450	2700	
	HCGC0033R	WB	B	114N2022	NF11FX	90	-	2050	2300	2550	2850	3100	3450	3750	4100	4450	450
						95	-	1950	2200	2450	2750	3000	3300	3650	3950	4300	
						100	-	1900	2100	2350	2600	2900	3200	3500	3800	4150	
						110	-	1750	1950	2200	2450	2700	2950	3250	3550	3850	
	UCGC0050R	WB	B	114N2023	SC18G	90	2350	2700	3050	3450	3800	4250	4700	5150	5650	6150	700
						95	2300	2600	2950	3300	3700	4100	4500	4950	5400	5900	
						100	2200	2500	2800	3200	3550	3950	4350	4750	5200	5650	
						110	2000	2300	2600	2900	3250	3600	4000	4400	4800	5200	
	HCGC0055R	WB	B	114N2025	NT6215Z	90	-	2900	3300	3800	4300	4850	5450	6100	6700	7350	700
						95	-	2800	3200	3650	4150	4650	5250	5850	6450	7050	
						100	-	2650	3050	3500	3950	4500	5050	5600	6150	6750	
						110	-	-	-	3250	3700	4150	4700	-	-	-	
	HCGC0075R	WB	B	114N2027	NJ6220Z	90	-	4350	4850	5550	6250	7150	8050	9100	10100	11200	1000
						95	-	4100	4700	5350	6100	6950	7850	8800	9800	10850	
	HCGC0075U	WC	N	114N2028	NJ6220Z	100	-	3900	4500	5150	5900	6750	7600	8550	9500	10450	
						110	-	-	-	4850	5600	6400	7250	8100	-	-	
	HCGC0100U	WD	N	114N2029	NJ6226Z	90	-	6800	7450	8200	9050	9950	10950	12000	13050	14200	1200
						95	-	6300	7000	7750	8550	9450	10400	11450	12450	13550	
						100	-	-	6550	7300	8100	8950	9900	10900	11850	12900	
						110	-	-	-	6500	7250	8100	9000	-	-	-	
MCGB0045R	60	B	114N0006	SC15G	90	1858	2118	2394	2687	2995	3319	3658	4011	4377	4755	602	
					95	1762	2018	2290	2576	2877	3193	3524	3868	4224	4592		
					100	1561	1810	2072	2348	2636	2938	3253	3580	3917	-		
					110	1457	1701	1960	2230	2514	2809	-	-	-	-		
MCGB0050R	60	B	114N0007	SC18G	90	2175	2479	2805	3152	3519	3906	4311	4733	5168	5615	668	
					95	2085	2384	2703	3041	3399	3773	4165	4570	4988	5416		
					100	2003	2295	2605	2933	3278	3639	4015	4403	4801	5208		
					110	1854	2127	2413	2716	3032	3360	-	-	-	-		

Test condition

Return gas temperature 65°F
Subcooling 5°F

Electrical code

B: Compressor & fan(s) 115V, 1 ph, 60 Hz
N: Compressor & fan(s) 230V, 1 ph, 60 Hz

Version

WA: Power cord
WB: Power cord, Receiver
WC: Electrical box, Receiver
WD: Electrical box, Receiver, Low pressure control

HP rating in hundredths of HP, i.e.: 033=1/3hp, (UCGC0100U:0100=1hp)
Power consumption referred at 90°F ambient temperature

Model no	Condenser fan	Receiver lbs @ 90%	Dimensions (in) ⁽¹⁾						Weight (lbs)	MCA (A)	Oil Type / Charge (oz)	Wiring diagram code ⁽²⁾
	Fan blade Ø (in)		Figure	Height H (in)	Width W (in)	Depth D (in)	Suction line	Liquid line	Gross			
UCGC0020R	8	---	2	9.0	11	14	3/8" F	1/4" F	32	6.1	POE / 10.8	119-3987
UCGC0025R	8	2.16	2	9.1	13.5	17	3/8" F	1/4" F	45	6.4	POE / 10.8	119-3987
HCGC0033R	9	2.16	2	10.3	13.5	17	3/8" F	1/4" F	47	11.7	POE / 10.8	119-3987
UCGC0050R	10	2.16	3	11.8	13.5	17	1/2" F	1/4" F	57	13.7	POE / 20.3	119-3983
HCGC0055R	10	4	4	11.9	14	18	3/8" F	1/4" F	67	15	POE / 19.6	119-3988
HCGC0075R	12	4	4	13.2	16.9	19	1/2" F	1/4" F	100	16	POE / 30.1	119-3983
HCGC0075U		4	4	13.2	16.9	19	1/2" F	1/4" F	100	10.5		119-3985
HCGC0100U	12	4	4	16.1	21.1	20.8	1/2" F	1/4" F	113	11.2	POE / 30.1	119-3990
MCGB0045R	9	-	17a	10.2	13	17	5/16" S	1/4" S	50	11.2	POE / 16.9	119-3993
MCGB0050R	9	-	17a	10.2	13.5	17	3/8" S	1/4" S	53	13.1	POE / 18.6	119-3992

⁽¹⁾Dimensions (in) available on page 37

⁽²⁾Wiring diagram available on page 31
 For spare parts, see pages 26

Fan	Model no	Version	Electrical code	Code no	Compressor model	Amb. temp.	Capacity range in (btu/hr) at evaporating temperature							Power consumption [W] at evap. temp. 25°F	Power consumption [W] at evap. temp. 20°F	AWEF	
						°F	15	20	25	30	35	40	45				50
Single fan	HCZC0150U	WJ	N	114N3601	MTZ18	90	5500	6305	7192	8163	9216	10350	11560	12840	1220	1167	7.17
				95		5194	5975	6835	7775	8794	9889	11060	12290				
				100		4889	5645	6477	7386	8369	9426	10550	11740				
				105		4585	5315	6118	6994	7942	8960	10040	11190				
	HCZC0200U	WJ	N	114N3604	MTZ22	90	7245	8343	9529	10800	12160	13590	15090	16660	1460	1387	7.35
				95		6921	7981	9123	10350	11650	13020	14460	15960				
				100		6592	7611	8708	9881	11130	12440	13820	15250				
				105		6255	7232	8283	9404	10590	11850	13160	14530				
	HCZC0250U	WJ	N	114N3607	MTZ28	90	9583	10990	12480	14040	15680	17380	19140	20960	1834	1730	7.35
				95		9147	10520	11960	13470	15060	16700	18400	20140				
				100		8704	10030	11430	12900	14420	16000	17640	19310				
				105		8257	9544	10900	12310	13780	15300	16860	18470				
	HCZC0275U	WJ	N	114N3610	MTZ36	90	12470	14150	15930	17820	19800	21880	24030	26270	2400	2253	7.32
				95		11890	13520	15260	17090	19010	21010	23090	25240				
				100		11320	12900	14580	16350	18210	20140	22140	24210				
				105		10740	12280	13910	15620	17400	19260	21190	23170				
	HCZC0300U	WJ	N	114N3614	MTZ40	90	14490	16220	18070	20050	22140	24350	26680	29110	2640	2469	7.6
				95		13690	15400	17230	19170	21230	23410	25690	28080				
				100		12910	14600	16410	18320	20350	22490	24730	27070				
				105		12160	13830	15610	17500	19500	21600	23800	26090				
Two fan	HGZC0400U	WJ	N	114N3617	MTZ50	90	16350	19020	21910	25000	28280	31760	35410	39220	3093	2950	7.13
				95		15700	18300	21100	24090	27260	30610	34130	37800				
				100		15010	17540	20240	23130	26200	29430	32810	36340				
				105		14290	16730	19350	22140	25090	28200	31460	34840				
	HGZC0500U	WJ	N	114N3621	MTZ64	90	20950	24290	27860	31650	35630	39800	44130	48600	3778	3574	7.69
				95		20080	23320	26780	30440	34290	38310	42470	46770				
				100		19170	22320	25660	29200	32910	36780	40780	44910				
				105		18220	21270	24510	27930	31500	35220	39070	43020				
	HGZC0700U	WJ	Q	114N3626	MTZ80	90	27750	31880	36300	41010	46000	51260	56750	62480	4690	4429	8.07
				95		26630	30630	34920	39480	44300	49370	54680	60200				
				100		25500	29380	33530	37930	42590	47480	52590	57900				
				105		24350	28110	32120	36370	40860	45570	50490	55590				
	HGZC0900U	WJ	Q	114N3628	MTZ100	90	32220	37130	42390	48000	53940	60200	66750	73590	6376	6065	7.33
				95		30500	35270	40360	45790	51530	57560	63880	70460				
				100		28780	33400	38330	43560	49090	54900	60980	67300				
				105		27070	31530	36280	41320	46640	52220	58060	64120				
	HGZC1000U	WJ	Q	114N3631	MTZ125	90	40340	46370	52830	59690	66930	74540	82480	90720	7203	6815	7.9
				95		38310	44150	50390	57010	63980	71300	78920	86820				
				100		36290	41930	47940	54300	61000	68020	75320	82880				
				105		34280	39710	45480	51580	58000	64700	71680	78890				
HGZC1200U	WJ	Q	114N3633	MTZ144	90	52460	59230	66410	73990	81940	90260	98920	107900	9064	8635	7.77	
			95		50300	56870	63830	71160	78840	86860	95190	103800					
			100		48100	54470	61200	68270	75670	83390	91400	99680					
			105		45860	52020	58510	65320	72440	79850	87530	95470					
HGZC1350U	WJ	Q	114N3636	MTZ160	90	58110	65480	73290	81500	90100	99080	108400	118000	9819	9306	7.8	
			95		55650	62820	70390	78350	86670	95340	104300	113600					
			100		53150	60110	67450	75140	83180	91540	100200	109100					
			105		50600	57350	64440	71880	79630	87670	96000	104600					
					110	48010	54540	61390	68550	76010	83750	91730	99950				

Test condition

Return gas temperature 65°F
Subcooling 5°F

Electrical code

Q: Compressor 208-230V, 3ph, 60 Hz / Fan(s) 230V, 1ph, 60 Hz
R: Compressor 460V, 3ph, 60 Hz / Fan(s) 460V, 1ph, 60 Hz

Version

WJ: Electrical box, Receiver, Dual pressure control, Fan cycling control, Filter drier, Sight glass

HP rating in hundredths of HP, i.e.: 033=1/3hp, (UCGC0100U:0100=1hp)
Power consumption referred at 90°F ambient temperature

Model no	Condenser fan	Receiver lbs @ 90%	Dimensions (in) ⁽¹⁾						Weight (lbs)	MCA (A)	Oil Type / Charge (oz)	Wiring diagram code ⁽²⁾
	Fan blade Ø (in)		Figure	Height H (in)	Width W (in)	Depth D (in)	Suction line	Liquid line	Gross			
HCZC0150U	14	7	6a	16.3	20.1	25	½" S	⅜" S	130	N: 14 Q: 9 R: 6	POE/29	119-6401 119-6403 119-6406
HCZC0200U	14	7	6a	16.3	20.1	25	½" S	⅜" S	130	N: 17 Q: 11 R: 6	POE/29	119-6401 119-6403 119-6406
HCZC0250U	14	7	6a	17.4	27.6	19.7	⅝" S	⅜" S	140	N: 24 Q: 16 R: 8	POE/29	119-6401 119-6403 119-6406
HCZC0275U	14	7	6a	17.4	27.6	19.7	⅝" S	⅜" S	150	N: 28 Q: 17 R: 9	POE/29	119-6401 119-6403 119-6406
HCZC0300U	18	7	6a	21.4	31.5	24	⅝" S	⅜" S	150	N: 40 Q: 23 R: 12	POE/29	119-6401 119-6403 119-6406
HGZC0400U	14	15	8a	21.8	39.4	27.6	⅞" S	½" S	210	N: 36 Q: 24 R: 12	POE/63	119-6402 119-6404 119-6405
HGZC0500U	18	18.5	8a	26.6	47.2	31.5	⅞" S	½" S	300	N: 52 Q: 32 R: 16	POE/63	119-6402 119-6404 119-6405
HGZC0700U	18	28	8a	26.6	47.2	31.5	1 ⅛" S	½" S	300	Q: 40 R: 17	POE/63	119-6404 119-6405
HGZC0900U	22	33	9a	34.4	34.3	59.1	1 ⅛" S	½" S	500	Q: 50 R: 26	POE/132	119-6404 119-6405
HGZC1000U	22	33	9a	34.4	34.3	59.1	1 ⅛" S	½" S	500	Q: 60 R: 30	POE/132	119-6404 119-6405
HGZC1200U	22	33	9a	34.4	34.3	59.1	1 ⅛" S	½" S	510	Q: 69 R: 33	POE/132	119-6404 119-6405
HGZC1350U	22	40	9a	34.4	34.3	59.1	1 ⅛" S	½" S	540	Q: 75 R: 38	POE/132	119-6404 119-6405

⁽¹⁾ Dimensions (in) available on page 37

⁽²⁾ Wiring diagram available on page 31
For spare parts, see pages 26

Fan	Model no	Version	Electrical code	Code no	Compressor model	Amb. temp.	Capacity range in (btu/hr) at evaporating temperature										Power consumption [W] at evap. temp. 20 °F
						°F	0	5	10	15	20	25	30	35	40	45	
Single fan	UCHC0020R	WA	B	114N2316	TF4CLX	90	1000	1100	1250	1400	1500	1650	1800	2000	2150	2300	300
						95	950	1050	1200	1300	1450	1600	1750	1900	2050	2200	
						100	900	1000	1100	1250	1350	1500	1650	1800	-	-	
						110	800	900	1000	1150	1250	1400	1500	-	-	-	
	UCHC0025R	WB	B	114N2318	NF5.5CLX	90	1650	1850	2050	2250	2450	2650	2900	3150	3400	3650	450
						95	1600	1750	1950	2150	2350	2550	2800	3000	3250	3500	
						100	1500	1650	1850	2050	2250	2450	2650	2900	3100	3350	
						110	1350	1550	1700	1850	2050	2250	-	-	-	-	
	UCHC0033R	WB	B	114N2321	NF7CLX	90	2050	2250	2500	2750	3000	3250	3550	3850	4100	4450	550
						95	1950	2150	2400	2600	2850	3100	3400	3650	3950	4250	
						100	1850	2050	2250	2500	2700	2950	3200	3500	3750	4050	
						110	1650	1850	2050	-	-	-	-	-	-	-	
	UCHC0050R	WB	B	114N2324	SC10CL	90	2450	2750	3100	3400	3750	4100	4500	4900	5250	5700	700
						95	2300	2600	2900	3200	3550	3850	4250	4600	4950	5350	
						100	2100	2400	2700	3000	3300	3600	3950	4300	4650	5000	
						110	1850	2100	2350	2600	2850	3150	-	-	-	-	
	UCHC0050U	WC	N	114N2325	SC10CL	90	3400	3750	4200	4600	5050	5550	6050	6600	7100	7700	900
						95	3200	3550	3950	4350	4800	5250	5750	6250	6750	7300	
						100	3000	3350	3700	4100	4500	4950	5400	5900	6400	6900	
						110	2650	2950	3300	3700	4050	4450	4900	-	-	-	
	HCHC0060U	WC	B	114N2328	SC12MLX	90	4400	4950	5500	6150	6800	7500	8250	9000	9800	10650	1000
						95	4150	4700	5250	5850	6500	7200	7900	8650	9400	10250	
						100	3900	4450	5000	5600	6200	6850	7550	8300	9050	9850	
						110	3500	4000	4550	5100	5700	6350	7000	-	-	-	
HCHC0075R	WB	B	114N2330	SC18MLX	90	-	5900	6650	7450	8200	9000	9850	10650	11450	12300	1300	
					95	-	5600	6350	7100	7800	8600	9350	10150	10950	11750		
					100	-	-	6000	6700	7400	8150	8900	9650	10400	11150		
					110	-	-	-	6100	6750	7400	8100	8800	-	-		
HCHC0075U	WC	N	114N2331	NT6220GK	90	-	5900	6650	7450	8200	9000	9850	10650	11450	12300	1300	
					95	-	5600	6350	7100	7800	8600	9350	10150	10950	11750		
					100	-	-	6000	6700	7400	8150	8900	9650	10400	11150		
					110	-	-	-	6100	6750	7400	8100	8800	-	-		
HCHC0100U	WD	N	114N2332	NT6222GK	90	-	5900	6650	7450	8200	9000	9850	10650	11450	12300	1300	
					95	-	5600	6350	7100	7800	8600	9350	10150	10950	11750		
					100	-	-	6000	6700	7400	8150	8900	9650	10400	11150		
					110	-	-	-	6100	6750	7400	8100	8800	-	-		

Test condition

Return gas temperature 65°F
Subcooling 5°F

Electrical code

B: Compressor & fan(s) 115V, 1 ph, 60 Hz
N: Compressor & fan(s) 230V, 1 ph, 60 Hz

Version

WA: Power cord
WB: Power cord, Receiver
WC: Electrical box, Receiver
WD: Electrical box, Receiver, Low pressure control

HP rating in hundredths of HP, i.e.: 033=1/3hp, (UCGC0100U:0100=1hp)
Power consumption referred at 90°F ambient temperature

Model no	Condenser fan	Receiver lbs @ 90%	Dimensions (in) ⁽¹⁾						Weight (lbs)	MCA (A)	Oil Type / Charge (oz)	Wiring diagram code ⁽²⁾
	Fan blade Ø (in)		Figure	Height H (in)	Width W (in)	Depth D (in)	Suction line	Liquid line	Gross			
UCHC0020R	9	-	1	10.2	12.3	14	⅜" F	¼" F	39	5.2	POE / 9	119-3987
UCHC0025R	9	2.16	2	10.3	13.5	17	⅜" F	¼" F	50	6.2	POE / 11	119-3987
UCHC0033R	9	2.16	2	10.3	13.5	17	⅜" F	¼" F	49	7.6	POE / 11	119-3987
UCHC0050R	10	2.16	3	11.8	13.5	17	⅜" F	¼" F	60	11.8	POE / 19	119-3993
UCHC0050U							½" F			4.3		119-3995
HCHC0060U	12	4	3	14	16.3	19	⅜" F	¼" F	70	14.1	POE / 20	119-3983
										7.1		119-3995
HCHC0075R	12	4	3	13.3	17	19	½" S	¼" F	78	22.2	POE / 20	119-3992
HCHC0075U			4						91			9.4
HCHC0100U	12	4	4	13.3	16.9	19	½" S	¼" F	91	10.8	POE / 20	119-3990

⁽¹⁾Dimensions (in) available on page 37

⁽²⁾Wiring diagram available on page 31
For spare parts, see pages 26

Fan	Model no	Version	Electrical code	Code no	Compressor model	Amb. temp.	Capacity range in (btu/hr) at evaporating temperature							Power consumption [W] at evap. temp. 25°F	Power consumption [W] at evap. temp. 20°F	AWEF	
						°F	15	20	25	30	35	40	45				50
Single fan	HCZC0150U	WJ	N	114N3601	MTZ18	90	9989	11300	12670	14100	15590	17120	18700	20310	2066	1996	7.07
						95	9438	10690	12000	13370	14780	16240	17750	19280			
						100	8879	10080	11320	12620	13970	15360	16790	18250			
						105	8313	9451	10640	11870	13150	14470	15820	17200			
						110	7742	8822	9949	11120	12330	13580	-	-			
	HCZC0200U	WJ	N	114N3604	MTZ22	90	13320	14880	16510	18210	19960	21750	23590	25460	2365	2259	7.93
						95	12660	14140	15690	17290	18950	20650	22380	24150			
						100	11970	13380	14840	16360	17920	19520	21160	22820			
						105	11260	12590	13970	15400	16870	18380	19910	21470			
						110	10530	11780	13080	14420	15800	17210	-	-			
	HCZC0250U	WJ	N	114N3607	MTZ28	90	16910	18680	20500	22380	24310	26270	28260	30270	3056	2914	7.7
						95	16110	17790	19520	21310	23130	24980	26870	28760			
						100	15290	16880	18530	20210	21930	23680	25450	27240			
						105	14450	15960	17510	19100	20720	22370	24030	25700			
						110	13600	15020	16480	17970	19490	21040	-	-			
	HCZC0275U	WJ	N	114N3610	MTZ36	90	20820	23050	25350	27690	30080	32500	34930	37360	3824	3599	7.69
						95	19740	21860	24050	26280	28540	30830	33130	35420			
						100	18660	20680	22750	24860	27000	29160	31330	33490			
						105	17580	19490	21450	23440	25460	27500	29540	31560			
						110	16500	18310	20150	22030	23930	25850	-	-			
HCZC0300U	WJ	N	114N3614	MTZ40	90	23390	25810	28300	30830	33380	35950	38520	41060	4281	4026	7.51	
					95	22180	24490	26850	29240	31660	34090	36510	38910				
					100	20980	23170	25400	27660	29940	32230	34510	36770				
					105	19780	21850	23950	26080	28230	30390	32530	34640				
					110	18590	20530	22510	24520	26540	28550	-	-				
Two fan	HGZC0400U	WJ	N	114N3617	MTZ50	90	31480	35020	38720	42580	46590	50730	54980	59340	5051	4839	8.68
						95	29880	33270	36820	40510	44330	48280	52330	56480			
						100	28260	31490	34880	38390	42040	45790	49650	53580			
						105	26600	29690	32910	36260	39720	43280	46940	50670			
						110	24930	27860	30920	34100	37380	40760	-	-			
	HGZC0500U	WJ	N	114N3621	MTZ64	90	38340	42410	46630	50980	55440	59980	64600	69260	6437	6127	8.23
						95	36310	40200	44210	48350	52580	56900	61280	65700			
						100	34270	37970	41780	45700	49720	53810	57960	62130			
						105	32220	35720	39340	43050	46850	50710	54630	58570			
						110	30170	33480	36890	40390	43980	47620	-	-			
	HGZC0700U	WJ	Q	114N3626	MTZ80	90	49600	54670	59940	65380	70990	76730	82580	88530	8635	8206	8.03
						95	47120	51940	56950	62120	67440	72890	78440	84070			
						100	44610	49190	53940	58840	63880	69030	74280	79600			
						105	42090	46420	50900	55530	60290	65160	70110	75130			
						110	39550	43630	47860	52220	56700	61280	-	-			
	HGZC0900U	WJ	Q	114N3628	MTZ100	90	60260	67010	74070	81430	89080	97000	105200	113500	10100	9728	8.59
						95	57030	63470	70210	77230	84520	92050	99810	107800			
						100	53800	59940	66350	73030	79950	87110	94470	102000			
						105	50570	56400	62490	68820	75380	82160	89130	96270			
						110	47350	52870	58630	64620	70820	77230	-	-			
HGZC1000U	WJ	Q	114N3631	MTZ125	90	75520	83250	91320	99710	108400	117400	126600	136000	12880	12330	8.32	
					95	71710	79080	86780	94770	103000	111600	120300	129300				
					100	67860	74880	82210	89800	97660	105700	114000	122500				
					105	63980	70660	77610	84810	92250	99910	107700	115700				
					110	60090	66410	72990	79800	86830	94050	-	-				
HGZC1200U	WJ	Q	114N3633	MTZ144	90	87530	96260	105400	114800	124500	134500	144800	155200	14670	14000	8.04	
					95	83140	91470	100100	109100	118400	127900	137600	147500				
					100	78710	86630	94860	103400	112200	121200	130400	139800				
					105	74230	81750	89550	97630	106000	114500	123200	132000				
					110	69730	76830	84210	91840	99690	107700	-	-				
HGZC1350U	WJ	Q	114N3636	MTZ160	90	94170	103400	112900	122900	133100	143600	154300	165200	16660	15820	7.9	
					95	89460	98240	107400	116800	126500	136500	146700	157000				
					100	84750	93100	101800	110800	120000	129500	139100	148900				
					105	80020	87960	96190	104700	113400	122400	131500	140700				
					110	75300	82810	90600	98630	106900	115300	-	-				

Test condition

Return gas temperature 65°F
Subcooling 5°F

Electrical code

N: Compressor & fan(s) 230V, 1 ph, 60 Hz
Q: Compressor 208-230V, 3ph, 60 Hz / Fan(s) 230V, 1ph, 60 Hz
R: Compressor 460V, 3ph, 60 Hz / Fan(s) 460V, 1ph, 60 Hz

Version

WJ: Electrical box, Receiver, Dual pressure control, Fan cycling control, Filter drier, Sight glass

HP rating in hundredths of HP, i.e.: 033=1/3hp, (UCGC0100U:0100=1hp)
Power consumption referred at 90°F ambient temperature

Model no	Condenser fan	Receiver lbs @ 90%	Dimensions (in) ⁽¹⁾						Weight (lbs)	MCA (A)	Oil Type / Charge (oz)	Wiring diagram code ⁽²⁾
	Fan blade Ø (in)		Figure	Height H (in)	Width W (in)	Depth D (in)	Suction line	Liquid line	Gross			
HCZC0150U	14	7	6a	16.3	20.1	25	½" S	¾" S	130	N: 14 Q: 9 R: 6	POE/29	119-6401 119-6403 119-6406
HCZC0200U	14	7	6a	16.3	20.1	25	½" S	¾" S	130	N: 17 Q: 11 R: 6	POE/29	119-6401 119-6403 119-6406
HCZC0250U	14	7	6a	17.4	27.6	19.7	⅝" S	¾" S	140	N: 24 Q: 16 R: 8	POE/29	119-6401 119-6403 119-6406
HCZC0275U	14	7	6a	17.4	27.6	19.7	⅝" S	¾" S	150	N: 28 Q: 17 R: 9	POE/29	119-6401 119-6403 119-6406
HCZC0300U	18	7	6a	21.4	31.5	24	⅝" S	¾" S	150	N: 40 Q: 23 R: 12	POE/29	119-6401 119-6403 119-6406
HGZC0400U	14	15	8a	21.8	39.4	27.6	⅞" S	½" S	210	N: 36 Q: 24 R: 12	POE/63	119-6402 119-6404 119-6405
HGZC0500U	18	18.5	8a	26.6	47.2	31.5	⅞" S	½" S	300	N: 52 Q: 32 R: 16	POE/63	119-6402 119-6404 119-6405
HGZC0700U	18	28	8a	26.6	47.2	31.5	1 ⅛" S	½" S	300	Q: 40 R: 17	POE/63	119-6404 119-6405
HGZC0900U	22	33	9a	34.4	34.3	59.1	1 ⅛" S	½" S	500	Q: 50 R: 26	POE/132	119-6404 119-6405
HGZC1000U	22	33	9a	34.4	34.3	59.1	1 ⅛" S	½" S	500	Q: 60 R: 30	POE/132	119-6404 119-6405
HGZC1200U	22	33	9a	34.4	34.3	59.1	1 ⅛" S	½" S	510	Q: 69 R: 33	POE/132	119-6404 119-6405
HGZC1350U	22	40	9a	34.4	34.3	59.1	1 ⅛" S	½" S	540	Q: 75 R: 38	POE/132	119-6404 119-6405

⁽¹⁾ Dimensions (in) available on page 37

⁽²⁾ Wiring diagram available on page 31
 For spare parts, see pages 26

Fan	Model no	Version	Electrical code	Code no	Compressor model	Amb. temp.	Capacity range in (btu/hr) at evaporating temperature											Power consumption [W] at evap. temp. 20°F		
						°F	-10	-5	0	5	10	15	20	25	30	35	40		45	50
Single fan	HCYC0075R	C0001	N	114N2088	MPT14RF	90				3050	3407	3779	4166	4567	4982	5409	5849	6302	6770	1027
						95				2907	3242	3594	3962	4345	4742	5153	5578	6018	6474	
		C0002	114N2107	100				2764	3077	3409	3757	4122	4502	4897	5308	-	-	-		
		105					-	2913	3224	3553	3899	4262	4641	-	-	-				
		110								3039	3349	3676	4022							
	HCYC0100R	C0001	N	114N2089	MX18TGa	90	2430	2786	3158	3543	3941	4351	4772	5204	5647	6101	6566	7044	7537	1202
						95	2279	2609	2955	3316	3691	4078		4891	5315	5751	6200	6663	-	
		C0002	114N2108	100	-	2432	2752	3089	3440	3806	4185	4577	4982	5400	5833	-	-	-		
		105		-	-	2549	2861	3189	3532	3890	4262	4648	-	-	-	-				
		110					2633	2938	3258	3595	3947									
	HCYC0075R	C0001	B	114N2102	MPT14RD	90				3148	3517	3892	4270	4652	5036	5421	5807	6193	6579	1077
						95				3004	3347	3696	4050	4408	4770	5134	5500	5868	6236	
		C0002	114N2109	100				2860	3176	3500	3829	4165	4504	4848	5194	-	-	-		
		105					-	3005	3303	3609	3921	4238	4561	-	-	-				
		110								3106	3389	3677	3972							

Test condition

Return gas temperature 65°F
Subcooling 5°F

Electrical code

B: Compressor & fan(s) 115V, 1 ph, 60 Hz
N: Compressor & fan(s) 230V, 1 ph, 60 Hz

Version

C0001: Multi Pack
C0002: Single Pack

HP rating in hundredths of HP, ie.: 033=1/3hp, (UCGC0100U:0100=1hp)
Power consumption referred at 90°F ambient temperature

Catalog
Optyma™ condensing unit R448A/R449A - H/MBP

Model no	Condenser fan	Receiver lbs @ 90%	Dimensions (in) ⁽¹⁾						Weight (lbs)	MCA (A)	Oil Type / Charge (oz)	Wiring diagram code ⁽²⁾
	Fan blade Ø (in)		Figure	Height H (in)	Width W (in)	Depth D (in)	Suction line	Liquid line	Gross			
HCYC0075R	10	3.15	10	11.73	15.98	19.02	3/8" SAE M FL	1/4" ID S	30.78	8.11	POE / 14.1	119-9231
HCYC0100R	10	3.15	11	11.73	15.98	19.02	3/8" SAE M FL	1/4" ID S	38.34	8.6	POE / 17.6	119-9231
HCYC0075R	10	3.15	10	11.73	15.98	19.02	3/8" SAE M FL	1/4" ID S	38.56	18.2	POE / 14.1	119-9233

⁽¹⁾Dimensions (in) available on page 37

⁽²⁾Wiring diagram available on page 31
For spare parts, see pages 26

Fan	Model no	Version	Electrical code	Code no	Compressor model	Amb. temp.	Capacity range in (btu/hr) at evaporating temperature								Power consumption [W] at evap. temp. 25°F	Power consumption [W] at evap. temp. 20°F	AWEF
						°F	15	20	25	30	35	40	45	50			
Single fan	HCZC0150U	WJ	N	114N3601	MTZ18	90	8586	9756	10990	12280	13620	15020	16460	17960	1782	1700	7.58
						95	8110	9234	10420	11650	12950	14290	15680	17110			
						100	7644	8723	9857	11040	12280	13570	14900	16270			
						105	7188	8222	9308	10440	11630	12860	14130	15450			
						110	6744	7732	8770	9857	10990	12160	13380	14630			
	HCZC0200U	WJ	N	114N3604	MTZ22	90	11590	12990	14490	16080	17750	19500	21320	23210	2142	2034	8.16
						95	11060	12390	13820	15330	16930	18600	20330	22130			
						100	10530	11800	13160	14590	16110	17700	19350	21060			
						105	10010	11210	12500	13860	15300	16810	18380	20000			
						110	9488	10630	11850	13140	14500	15930	17410	18950			
	HCZC0250U	WJ	N	114N3607	MTZ28	90	14170	15860	17660	19550	21540	23610	25750	27960	2619	2479	8.2
						95	13520	15130	16830	18640	20530	22500	24540	26650			
						100	12880	14400	16020	17730	19530	21400	23350	25350			
						105	12240	13680	15220	16840	18540	20320	22160	24060			
						110	11600	12970	14420	15950	17560	19240	20980	22780			
	HCZC0275U	WJ	N	114N3610	MTZ36	90	18050	20130	22290	24530	26830	29190	31570	33990	3486	3273	7.7
						95	17220	19200	21270	23400	25590	27830	30100	32390			
						100	16390	18270	20240	22270	24350	26470	28630	30800			
						105	15560	17350	19210	21130	23110	25120	27160	29220			
						110	14720	16420	18180	20000	21870	23770	25700	27640			
HCZC0300U	WJ	N	114N3614	MTZ40	90	20390	22700	25090	27560	30080	32640	35230	37820	3929	3679	7.69	
					95	19430	21630	23920	26260	28660	31090	33550	36020				
					100	18470	20570	22740	24970	27240	29550	31880	34210				
					105	17520	19510	21560	23670	25830	28010	30210	32420				
					110	16570	18450	20390	22380	24410	26480	28550	30630				
Two fan	HGZC0400U	WJ	N	114N3617	MTZ50	90	26130	29570	33220	37070	41100	45300	49670	54170	4562	4309	8.86
						95	24900	28200	31690	35380	39240	43270	47450	51770			
						100	23660	26820	30160	33690	37390	41240	45240	49370			
						105	22410	25430	28630	31990	35520	39210	43020	46970			
						110	21160	24040	27090	30300	33660	37170	40810	44570			
	HGZC0500U	WJ	N	114N3621	MTZ64	90	32200	36160	40310	44650	49160	53810	58600	63500	5610	5288	8.49
						95	30610	34410	38400	42570	46890	51360	55960	60660			
						100	29040	32680	36510	40500	44640	48920	53320	57820			
						105	27480	30970	34620	38440	42410	46500	50710	55010			
						110	25940	29270	32760	36400	40180	44090	48110	52210			
	HGZC0700U	WJ	Q	114N3626	MTZ80	90	43870	48970	54330	59930	65750	71780	77980	84330	7519	7090	8.55
						95	41900	46800	51930	57300	62880	68650	74590	80670			
						100	39930	44610	49530	54660	60000	65520	71190	77000			
						105	37940	42420	47120	52020	57120	62380	67800	73340			
						110	35950	40220	44700	49380	54230	59250	64410	69690			
	HGZC0900U	WJ	Q	114N3628	MTZ100	90	52540	59390	66680	74390	82510	91020	99900	109100	9131	8701	8.74
						95	49960	56530	63520	70920	78720	86890	95410	104300			
						100	47410	53700	60400	67490	74960	82790	90960	99450			
						105	44890	50900	57310	64090	71240	78730	86550	94680			
						110	42410	48140	54250	60720	67550	74710	82180	89940			
HGZC1000U	WJ	Q	114N3631	MTZ125	90	66450	74950	83960	93470	103400	113900	124700	135900	11540	10950	8.73	
					95	63170	71330	79980	89100	98690	108700	119100	129900				
					100	59930	67740	76030	84770	93960	103600	113500	123900				
					105	56720	64190	72110	80480	89270	98470	108000	117900				
					110	53550	60670	68240	76230	84630	93410	102600	112000				
HGZC1200U	WJ	Q	114N3633	MTZ144	90	78110	86970	96280	106000	116200	126700	137500	148700	13150	12470	8.61	
					95	74470	82980	91920	101300	111000	121100	131600	142300				
					100	70870	79040	87620	96590	105900	115600	125600	135900				
					105	67330	75150	83370	91970	100900	110200	119800	129600				
					110	63850	71320	79180	87400	95950	104800	114000	123400				
HGZC1350U	WJ	Q	114N3636	MTZ160	90	83580	92920	102700	112900	123500	134500	145800	157300	14990	14190	8.12	
					95	79660	88630	98030	107800	118000	128500	139300	150400				
					100	75790	84400	93410	102800	112600	122600	133000	143600				
					105	71990	80220	88850	97840	107200	116800	126700	136800				
					110	68240	76110	84350	92930	101800	111000	120500	130100				

Test condition

Return gas temperature 65°F
Subcooling 5°F

Electrical code

Q: Compressor 208-230V, 3ph, 60 Hz / Fan(s) 230V, 1ph, 60 Hz
R: Compressor 460V, 3ph, 60 Hz / Fan(s) 460V, 1ph, 60 Hz

Version

WJ: Electrical box, Receiver, Dual pressure control, Fan cycling control, Filter drier, Sight glass

HP rating in hundredths of HP, i.e.: 033=1/3hp, (UCGC0100U:0100=1hp)
Power consumption referred at 90°F ambient temperature

Model no	Condenser fan	Receiver lbs @ 90%	Dimensions (in) ⁽¹⁾						Weight (lbs)	MCA (A)	Oil Type / Charge (oz)	Wiring diagram code ⁽²⁾
	Fan blade Ø (in)		Figure	Height H (in)	Width W (in)	Depth D (in)	Suction line	Liquid line	Gross			
HCZC0150U	14	7	6a	16.3	20.1	25	½" S	¾" S	130	N: 14 Q: 9 R: 6	POE/29	119-6401 119-6403 119-6406
HCZC0200U	14	7	6a	16.3	20.1	25	½" S	¾" S	130	N: 17 Q: 11 R: 6	POE/29	119-6401 119-6403 119-6406
HCZC0250U	14	7	6a	17.4	27.6	19.7	¾" S	¾" S	140	N: 24 Q: 16 R: 8	POE/29	119-6401 119-6403 119-6406
HCZC0275U	14	7	6a	17.4	27.6	19.7	¾" S	¾" S	150	N: 28 Q: 17 R: 9	POE/29	119-6401 119-6403 119-6406
HCZC0300U	18	7	6a	21.4	31.5	24	¾" S	¾" S	150	N: 40 Q: 23 R: 12	POE/29	119-6401 119-6403 119-6406
HGZC0400U	14	15	8a	21.8	39.4	27.6	7/8" S	½" S	210	N: 36 Q: 24 R: 12	POE/63	119-6402 119-6404 119-6405
HGZC0500U	18	18.5	8a	26.6	47.2	31.5	7/8" S	½" S	300	N: 52 Q: 32 R: 16	POE/63	119-6402 119-6404 119-6405
HGZC0700U	18	28	8a	26.6	47.2	31.5	1 1/8" S	½" S	300	Q: 40 R: 17	POE/63	119-6404 119-6405
HGZC0900U	22	33	9a	34.4	34.3	59.1	1 1/8" S	½" S	500	Q: 50 R: 26	POE/132	119-6404 119-6405
HGZC1000U	22	33	9a	34.4	34.3	59.1	1 1/8" S	½" S	500	Q: 60 R: 30	POE/132	119-6404 119-6405
HGZC1200U	22	33	9a	34.4	34.3	59.1	1 1/8" S	½" S	510	Q: 69 R: 33	POE/132	119-6404 119-6405
HGZC1350U	22	40	9a	34.4	34.3	59.1	1 1/8" S	½" S	540	Q: 75 R: 38	POE/132	119-6404 119-6405

⁽¹⁾ Dimensions (in) available on page 37

⁽²⁾ Wiring diagram available on page 31
For spare parts, see pages 26

Fan	Model no	Version	Electrical code	Code no	Compressor model	Amb. temp.	Capacity range in (btu/hr) at evaporating temperature								Power consumption [W] at evap. temp. 25°F	Power consumption [W] at evap. temp. 20°F	AWEF
						°F	15	20	25	30	35	40	45	50			
Single fan	HCZC0150U	WJ	N	114N3601	MTZ18	90	9663	10850	12100	13400	14760	16170	17630	19120	1945	1869	7.64
						95	9109	10240	11430	12670	13970	15310	16690	18120			
						100	8558	9636	10770	11950	13180	14450	15770	17120			
						105	8010	9034	10110	11230	12400	13600	14850	16130			
						110	7466	8436	9453	10510	11620	12760	13940	15160			
	HCZC0200U	WJ	N	114N3604	MTZ22	90	12930	14340	15820	17360	18950	20580	22260	23970	2311	2207	8.24
						95	12260	13610	15010	16480	17990	19540	21140	22760			
						100	11590	12880	14210	15600	17040	18510	20030	21570			
						105	10930	12150	13420	14740	16100	17490	18920	20380			
						110	10280	11440	12640	13880	15160	16480	17830	19200			
	HCZC0250U	WJ	N	114N3607	MTZ28	90	15430	17050	18780	20610	22540	24540	26620	28760	2810	2676	8.16
						95	14650	16180	17810	19540	21350	23240	25210	27230			
						100	13860	15300	16830	18450	20160	21940	23790	25700			
						105	13070	14410	15840	17360	18960	20630	22370	24170			
						110	12260	13510	14850	16260	17760	19330	20960	22640			
	HCZC0275U	WJ	N	114N3610	MTZ36	90	19170	21110	23130	25230	27390	29600	31850	34130	3606	3415	7.71
						95	18200	20030	21940	23920	25960	28040	30160	32310			
						100	17220	18940	20740	22600	24510	26470	28470	30490			
						105	16220	17840	19520	21260	23060	24900	26770	28670			
						110	15210	16720	18290	19920	21600	23320	25070	26850			
HCZC0300U	WJ	N	114N3614	MTZ40	90	22110	24310	26590	28930	31320	33740	36180	38630	4146	3918	7.71	
					95	20990	23060	25200	27390	29640	31910	34200	36490				
					100	19840	21780	23790	25840	27940	30070	32210	34350				
					105	18680	20490	22360	24270	26230	28210	30210	32210				
					110	17490	19180	20910	22690	24510	26350	28210	30080				
Two fan	HGZC0400U	WJ	N	114N3617	MTZ50	90	29010	32460	36070	39840	43760	47800	51950	56200	4794	4572	8.27
						95	27590	30880	34320	37910	41630	45480	49430	53470			
						100	26140	29270	32540	35950	39480	43130	46880	50710			
						105	24670	27630	30730	33960	37310	40760	44310	47940			
						110	23170	25970	28900	31960	35120	38380	41730	45160			
	HGZC0500U	WJ	N	114N3621	MTZ64	90	35840	39770	43850	48080	52420	56870	61400	65990	5965	5675	8.19
						95	34010	37750	41640	45660	49800	54030	58340	62710			
						100	32160	35730	39430	43240	47170	51180	55270	59410			
						105	30320	33690	37200	40820	44530	48330	52200	56120			
						110	28460	31660	34970	38390	41900	45490	49140	52830			
	HGZC0700U	WJ	Q	114N3626	MTZ80	90	45880	50630	55570	60700	65990	71430	76990	82650	7642	7280	8.01
						95	43730	48250	52960	57840	62870	68030	73310	78680			
						100	41550	45840	50310	54930	59700	64600	69590	74670			
						105	39330	43390	47620	52000	56500	61130	65850	70640			
						110	37070	40910	44900	49030	53280	57640	62080	66600			
	HGZC0900U	WJ	Q	114N3628	MTZ100	90	58530	65320	72470	79950	87760	95870	104200	112900	9691	9295	8.8
						95	55620	62090	68900	76030	83460	91170	99140	107300			
						100	52700	58850	65320	72100	79150	86470	94040	101800			
						105	49770	55610	61740	68160	74850	81780	88940	96310			
						110	46820	52360	58160	64230	70550	77100	83870	90820			
HGZC1000U	WJ	Q	114N3631	MTZ125	90	72590	80820	89440	98420	107700	117400	127300	137400	12250	11720	8.75	
					95	68910	76760	84970	93530	102400	111600	121000	130600				
					100	65210	72680	80490	88630	97060	105800	114700	123800				
					105	61510	68590	76000	83710	91700	99950	108400	117100				
					110	57790	64490	71500	78800	86350	94150	102200	110300				
HGZC1200U	WJ	Q	114N3633	MTZ144	90	81990	90110	98610	107500	116600	126100	135800	145800	14100	13510	8.51	
					95	77940	85700	93810	102300	111000	120100	129400	138900				
					100	73890	81280	89010	97060	105400	114000	122900	132000				
					105	69850	76870	84210	91860	99800	108000	116400	125000				
					110	65810	72470	79430	86680	94210	102000	110000	118200				
HGZC1350U	WJ	Q	114N3636	MTZ160	90	91250	100200	109400	119000	129000	139200	149600	160300	15950	15210	8.19	
					95	86730	95220	104100	113200	122700	132400	142400	152500				
					100	82200	90280	98690	107400	116400	125600	135100	144700				
					105	77670	85340	93320	101600	110100	118900	127800	136900				
					110	73140	80400	87960	95790	103900	112100	120600	129200				

Test condition

Return gas temperature 65°F
Subcooling 5°F

Electrical code

Q: Compressor 208-230V, 3ph, 60 Hz / Fan(s) 230V, 1ph, 60 Hz
R: Compressor 460V, 3ph, 60 Hz / Fan(s) 460V, 1ph, 60 Hz

Version

WJ: Electrical box, Receiver, Dual pressure control, Fan cycling control, Filter drier, Sight glass

HP rating in hundredths of HP, i.e.: 033=1/3hp, (UCGC0100U:0100=1hp)
Power consumption referred at 90°F ambient temperature

Model no	Condenser fan	Receiver lbs @ 90%	Dimensions (in) ⁽¹⁾						Weight (lbs)	MCA (A)	Oil Type / Charge (oz)	Wiring diagram code ⁽²⁾
	Fan blade Ø (in)		Figure	Height H (in)	Width W (in)	Depth D (in)	Suction line	Liquid line	Gross			
HCZC0150U	14	7	6a	16.3	20.1	25	½" S	¾" S	130	N: 14 Q: 9 R: 6	POE/29	119-6401 119-6403 119-6406
HCZC0200U	14	7	6a	16.3	20.1	25	½" S	¾" S	130	N: 17 Q: 11 R: 6	POE/29	119-6401 119-6403 119-6406
HCZC0250U	14	7	6a	17.4	27.6	19.7	¾" S	¾" S	140	N: 24 Q: 16 R: 8	POE/29	119-6401 119-6403 119-6406
HCZC0275U	14	7	6a	17.4	27.6	19.7	¾" S	¾" S	150	N: 28 Q: 17 R: 9	POE/29	119-6401 119-6403 119-6406
HCZC0300U	18	7	6a	21.4	31.5	24	¾" S	¾" S	150	N: 40 Q: 23 R: 12	POE/29	119-6401 119-6403 119-6406
HGZC0400U	14	15	8a	21.8	39.4	27.6	¾" S	½" S	210	N: 36 Q: 24 R: 12	POE/63	119-6402 119-6404 119-6405
HGZC0500U	18	18.5	8a	26.6	47.2	31.5	¾" S	½" S	300	N: 52 Q: 32 R: 16	POE/63	119-6402 119-6404 119-6405
HGZC0700U	18	28	8a	26.6	47.2	31.5	1 ½" S	½" S	300	Q: 40 R: 17	POE/63	119-6404 119-6405
HGZC0900U	22	33	9a	34.4	34.3	59.1	1 ½" S	½" S	500	Q: 50 R: 26	POE/132	119-6404 119-6405
HGZC1000U	22	33	9a	34.4	34.3	59.1	1 ½" S	½" S	500	Q: 60 R: 30	POE/132	119-6404 119-6405
HGZC1200U	22	33	9a	34.4	34.3	59.1	1 ½" S	½" S	510	Q: 69 R: 33	POE/132	119-6404 119-6405
HGZC1350U	22	40	9a	34.4	34.3	59.1	1 ½" S	½" S	540	Q: 75 R: 38	POE/132	119-6404 119-6405

⁽¹⁾ Dimensions (in) available on page 37

⁽²⁾ Wiring diagram available on page 31
For spare parts, see pages 26

Fan	Model no	Version	Electrical code	Code no	Compressor model	Amb. temp.	Capacity range in (btu/hr) at evaporating temperature										Power consumption [W] at evap. temp. -10 F	
						°F	-40	-35	-30	-25	-20	-15	-10	-5	0	5		10
Single fan	UCHC0020R	WA	B	114N2316	TF4CLX	90	350	400	450	550	600	700	800	900	1000	1100	1250	200
						95	300	350	450	500	550	650	750	850	950	1050	1200	
						100	300	350	400	450	550	600	700	800	900	1000	1100	
						110	250	300	350	400	500	550	650	700	800	900	-	
	UCHC0025R	WB	B	114N2318	NF5.5CLX	90	600	700	800	900	1050	1200	1350	1500	1650	1850	2050	300
						95	550	650	750	900	1000	1150	1250	1400	1600	1750	1950	
						100	550	600	700	850	950	1050	1200	1350	1500	1650	1850	
						110	450	550	650	750	850	950	1100	1250	1350	1550	1700	
	UCHC0033R	WB	B	114N2321	NF7CLX	90	750	850	1000	1100	1300	1450	1650	1800	2050	2250	2500	400
						95	700	800	950	1050	1200	1400	1550	1750	1950	2150	2400	
						100	650	750	850	1000	1150	1300	1450	1650	1850	2050	2250	
						110	550	650	750	900	1000	1150	1350	1500	-	-	-	
	UCHC0050R	WB	B	114N2324	SC10CL	90	-	-	1100	1300	1500	1700	1900	2150	2400	2700	2950	500
						95	-	-	1000	1200	1400	1600	1850	2050	2300	2550	2850	
						100	-	-	900	1100	1300	1500	1750	1950	2200	2450	2700	
						110	-	-	750	950	1150	1350	1550	1750	2000	2250	2500	
	LCHC0050R	WB	B	114N2389	SC12CLX2	90	1050	1250	1450	1700	1950	2200	2500	2800	3150	3450	3850	650
						95	950	1150	1350	1600	1850	2100	2400	2650	3000	3300	3650	
						100	850	1050	1250	1500	1700	2000	2250	2500	2800	3150	3450	
						110	700	900	1100	1300	1500	1750	2000	2300	2550	2850	3150	
	LCHC0060R	WB	B	114N2335	SC15CLX.2	90	1350	1550	1850	2100	2400	2700	3050	3400	3800	4200	4600	700
						95	1250	1450	1700	1950	2250	2550	2900	3200	3600	3950	4350	
						100	1150	1350	1600	1850	2100	2400	2700	3050	3400	3750	4100	
						110	950	1150	1400	1600	1850	2150	2400	2700	3050	3350	-	
	LCHC0075R	WB	B	114N2337	NT2178GK	90	1450	1800	2150	2550	2950	3400	3900	4400	4950	5550	6200	850
						95	1400	1750	2100	2450	2900	3350	3800	4300	4850	5450	6100	
						100	-	1650	2000	2400	2800	3250	3750	4250	4800	5350	6000	
						110	-	-	-	-	-	3100	3600	4100	4650	5200	-	
LCHC0100U	WD	N	114N2339	NJ2192GK	90	1700	2250	2800	3400	4000	4650	5350	6000	6800	7550	8400	1150	
					95	1550	2100	2650	3200	3850	4500	5150	5850	6600	7400	8250		
					100	-	1900	2500	3050	3650	4300	5000	5700	6450	7250	8100		
					110	-	-	-	-	-	4000	4700	5400	6150	7000	-		

Test condition

Return gas temperature 65°F
Subcooling 5°F

Electrical code

B: Compressor & fan(s) 115V, 1 ph, 60 Hz
N: Compressor & fan(s) 230V, 1 ph, 60 Hz

Version

WA: Power cord
WB: Power cord, Receiver
WC: Electrical box, Receiver
WD: Electrical box, Receiver, Low pressure control

HP rating in hundredths of HP, i.e.: 033=1/3hp, (UCGC0100U:0100=1hp)
Power consumption referred at 90°F ambient temperature

Model no	Condenser fan		Receiver lbs @ 90%	Dimensions (in) ⁽¹⁾					Weight (lbs)		MCA (A)	Oil Type / Charge (oz)	Wiring diagram code ⁽²⁾
	Fan blade Ø (in)			Figure	Height H (in)	Width W (in)	Depth D (in)	Suction line	Liquid line	Gross			
UCHC0020R	9		-	1	10.2	12.3	14	⅜" F	¼" F	39	5.2	POE / 9.5	119-3987
UCHC0025R	9		2.16	2	10.3	13.5	17	⅜" F	¼" F	50	6.2	POE / 10.8	119-3987
UCHC0033R	9		2.16	2	10.3	13.5	17	⅜" F	¼" F	49	7.6	POE / 10.8	119-3987
UCHC0050R	10		2.16	3	11.8	13.5	17	⅜" F	¼" F	60	11.8	POE / 18.6	119-3993
UCHC0050U										58	4.3		119-3995
LCHC0050R	10		2.16	3	11.9	13.5	17.3	½" F	¼" F	58	11.8	POE / 18.6	119-3993
LCHC0060R	10		2.16	3	11.8	13.5	17	⅜" F	¼" F	58	14.2	POE / 18.6	119-3983
LCHC0060U											6.3		119-3990
LCHC0075R	10		4	4	11.9	13.3	18	½" F	¼" F	76	12.2	POE / 19.6	119-3992
LCHC0075U								⅝" F			5.5		119-3990
LCHC0100U	12		4	4	13.4	17.5	19	½" F	½" F	105	8	POE / 30.1	119-3990

⁽¹⁾Dimensions (in) available on page 37

⁽²⁾Wiring diagram available on page 31
For spare parts, see pages 26

Fan	Model no	Version	Electrical code	Code no	Compressor model	Amb. temp.	Capacity range in (btu/hr) at evaporating temperature								Power consumption [W] at evap. temp. -10 F	AWEF
						°F	-40	-35	-30	-25	-20	-15	-10	-5		
Single fan	LCHC0150U	WF	N Q	114N6725 114N6726	NTZ048A	90	2911	3625	4394	5214	6082	6993	7944	8929	1901	6.81 6.63
						95	2657	3342	4076	4858	5683	6547	7447	8378		
						100	2405	3060	3761	4504	5286	6104	6954	7831		
						105	-	2781	3448	4153	4893	5664	6464	7288		
						110	-	-	3138	3805	4503	5228	5979	6750		
	LCHC0200U	WF	N Q R	114N6729 114N6730 114N6731	NTZ068A	90	4571	5324	6147	7041	8004	9036	10130	11290	2679	3.61 3.5 3.51
						95	4227	4943	5724	6572	7486	8465	9505	10600		
						100	3898	4579	5320	6122	6987	7913	8898	9938		
						105	-	4230	4932	5690	6507	7381	8310	9292		
						110	-	-	4559	5275	6044	6866	7741	8665		
	LCHC0300U	WF	N Q	114N6733 114N6734	NTZ108A	90	5850	7248	8720	10240	11800	13360	14910	16420	4146	3.19
						95	5375	6708	8104	9544	11010	12470	13920	15320		
						100	4889	6158	7480	8837	10210	11580	12920	14220		
						105	-	5601	6849	8124	9406	10680	11920	13120		
						110	-	-	6213	7406	8600	9777	10920	12020		
Two fan	LGHC0400U	WF	N Q R	114N6737 114N6738 114N6739	NTZ136A	90	9106	11160	13370	15740	18250	20910	23700	26610	5644	3.29
						95	8364	10340	12470	14740	17150	19690	22350	25120		
						100	7626	9529	11570	13750	16050	18470	21000	23640		
						105	-	8723	10680	12750	14950	17250	19660	22150		
						110	-	-	9791	11770	13850	16040	18320	20670		
	LGHC0600U	WF	Q R	114N6741 114N6742	NTZ215A	90	14890	17940	21250	24820	28630	32690	36990	41500	7858	3.66 3.63
						95	13630	16570	19760	23180	26830	30700	34800	39090		
						100	12340	15170	18230	21500	24980	28670	32560	36640		
						105	-	13750	16670	19790	23110	26610	30300	34160		
						110	-	-	15100	18060	21210	24530	28020	31660		
	LGHC0750U	WF	Q R	114N6744 114N6745	NTZ271A	90	20210	24010	28100	32460	37070	41920	46960	52180	10250	3.47 3.45
						95	18820	22450	26350	30500	34880	39470	44230	49160		
						100	17400	20870	24580	28520	32660	36990	41480	46110		
						105	-	19280	22800	26520	30430	34500	38710	43050		
						110	-	-	21010	24510	28180	31990	35930	39980		

Test condition

Return gas temperature 40°F
Subcooling 5°F

Electrical code

N: Compressor & fan(s) 230V, 1 ph, 60 Hz
Q: Compressor 208-230V, 3ph, 60 Hz / Fan(s) 230V, 1ph, 60 Hz
R: Compressor 460V, 3ph, 60 Hz / Fan(s) 460V, 1ph, 60 Hz

Version

WF: WE + Filter drier, Sight glass, Solenoid valve with coil

HP rating in hundredths of HP, ie.: 033=1/3hp, (UCGC0100U:0100=1hp)
Power consumption referred at 90°F ambient temperature

Model no	Condenser fan	Receiver lbs @ 90%	Dimensions (in) ⁽¹⁾						Weight (lbs)	MCA (A)	Oil Type / Charge (oz)	Wiring diagram code ⁽²⁾
	Fan blade Ø (in)		Figure	Height H (in)	Width W (in)	Depth D (in)	Suction line	Liquid line	Gross			
LCZC0150U	14	10	6a	16.3	20.1	25	½" S	¾" S	130	N: 18 Q: 11 R: 5	POE / 29	119-6401 119-6403 119-6406
LCZC0200U	14	10	6a	16.3	20.1	25	¾" S	¾" S	130	N: 24 Q: 19 R: 6	POE / 29	119-6401 119-6403 119-6406
LCZC0300U	14	10	7a	17.4	27.5	27	¾" S	½" S	150	N: 32 Q: 21 R: 10	POE / 63	119-6401 119-6403 119-6406
LGZC0400U	14	17.5	8a	21.8	39.4	27.6	¾" S	½" S	210	N: 36 Q: 78 R: 12	POE / 63	119-6402 119-6404 119-6405
LGZC0600U	18	26	9a	26.4	47.2	31.5	1 ½" S	½" S	300	Q: 43 R: 17	POE / 132	119-6404 119-6405
LGZC0751U	18	26	9a	26.4	47.2	31.5	1 ½" S	½" S	300	Q: 53 R: 22	POE / 132	119-6404 119-6405

⁽¹⁾ Dimensions (in) available on page 37

⁽²⁾ Wiring diagram available on page 31
For spare parts, see pages 26

Fan	Model no	Version	Electrical code	Code no	Compressor model	Amb. temp.	Capacity range in (btu/hr) at evaporating temperature									Power consumption [W] at evap. temp. -10 F	Power Consumption [W] at evap. Temp. 20°F
						°F	-30	-20	-10	0	10	20	30	40	50		
Single fan	MCNC0015R	DF600 DF602	B	114N2090 114N2117	NBC30NR	90	346	477	627	795	979	1179	1393	1622	114	152	
						95	329	453	597	757	935	1128	1337	1559			
						100	313	430	566	720	891	1078	1280				
						105	297	406	535	683	847						
	MCNC0020R	DF600 DF602	B	114N2092 114N2119	NUT55LRb	90	704	912	1139	1383	1642	1916	2202	2500	201	277	
						95	671	869	1086	1321	1572	1837	2115	2405			
						100	638	826	1034	1259	1501	1758	2028				
						105	604	783	981	1198	1431						
	MCNC0033R	WA000 WA002	B	114N2097 114N2123	DLE6.5CN	90	792	1022	1276	1563	1887	2253	2663	3120	268	361	
						95	758	981	1227	1504	1818	2173	2572	3016			
						100	724	941	1179	1447	1751	2094	2482				
						105	691	901	1132	1391	1684						
	MCNC0050R	DF600 DF602	B	114N2094 114N2121	NLY12NRb	90	1195	1606	2055	2541	3059	3607	4183	4784	417	596	
						95	1148	1540	1971	2438	2939	3470	4030	4617			
						100	1102	1474	1887	2336	2819	3334	3878				
						105	1056	1409	1802	2234	2700						
	MCNC0050R	WA000 WA002	B	114N2091 114N2118	NLY12NRb	90	1228	1666	2150	2680	3251	3863	4512	5198	412	583	
						95	1181	1599	2064	2574	3128	3721	4353	5022			
						100	1134	1532	1978	2469	3004	3579	4194				
						105	1088	1465	1891	2364	2880						
	MCNC0075R	DF600 DF602	B	114N2095 114N2122	NPT14ND	90	1497	1964	2496	3086	3728	4416	5146	5912	546	789	
						95	1435	1880	2390	2959	3581	4250	4961	5711			
						100	1373	1795	2284	2832	3434	4084	4778				
						105	1312	1711	2178	2706	3288						
LCNC0075R	DF600	B	114N2104	NPT16LR	90	1565	1981	2444	2944	3473				637	N/A		
					95		1887	2331	2813								
					100		1793	2217	2681								
					105												
MCNC0075R	WA000 WA002	B	114N2098 114N2124	NPT14 ND	90	1497	1964	2496	3086	3728	4416	5146	5912	546	789		
					95	1435	1880	2390	2959	3581	4250	4961	5711				
					100	1373	1795	2284	2832	3434	4084	4778					
					105	1312	1711	2178	2706	3288							
MCNC0075R	WA000 WA002	N	114N2099 114N2125	SCE15MNX	90					4142	4859	5596	6355	7140	N/A	718	
					95					3978	4660	5359	6079	6825			
					100					3799	4444	5104	5786				
					105					3600	4208	4831					
MCNC0100R	WA000 WA002	B	114N2100 114N2126	SCE18MNX	90					5039	5942	6874	7828	8796	N/A	850	
					95					4849	5715	6607	7518	8442			
					100					4654	5488	6343	7214				
					105					4456	5261	6083					
MCNC0100R	WA000 WA002	B	114N2101 114N2127	NPT16NF	90	1775	2352	2993	3693	4446	5247	6093	6980	652	938		
					95	1700	2247	2860	3532	4260	5036	5859	6724				
					100	1624	2141	2726	3372	4073	4826	5626					
					105	1549	2036	2592	3211	3887							

Test condition

Return gas temperature 65°F
Subcooling 5°F

Electrical code

B: Compressor & fan(s) 115V, 1 ph, 60 Hz
N: Compressor & fan(s) 230V, 1 ph, 60 Hz

Version

DF: Plastic baseplate
WA: Power cord

HP rating in hundredths of HP, i.e.: 033=1/3hp, (UCGC0100U:0100=1hp)
Power consumption referred at 90°F ambient temperature

Model no	Condenser fan	Receiver lbs @ 90%	Dimensions (in) ⁽¹⁾						Weight (lbs)		MCA (A)	Oil Type / Charge (oz)	Wiring diagram code ⁽²⁾
	Fan blade Ø (in)		Figure	Height H (in)	Width W (in)	Depth D (in)	Suction line	Liquid line	Gross				
MCNC0015R	4.75	-	12a	8.50	8.27	17.20	1/4" S	2.8 mm S	30.78	2.19	POE / 4.2	119-9261	
MCNC0020R	4.75	-	12a	8.50	8.27	17.20	1/4" S	2.8 mm S	38.34	3.07	POE / 7	119-9262	
MCNC0033R	8	-	13a	8.98	11.26	13.78	1/4" S	1/4" S	35.75	5.65	POE / 7.8	119-3993	
MCNC0050R	10	-	14a	12.44	13.11	17.01	5/16" S	2.8 mm S	49.25	7.39	POE / 13.9	119-9262	
MCNC0050R	10	-	14a	11.89	13.23	17.01	5/16" S	2.8 mm S	48.46	7.39	POE / 13.9	119-9262	
MCNC0075R	10	-	14a	12.44	12.99	17.01	5/16" S	1/4" S	58.01	7.7	POE / 14.1	119-9262	
LCNC0075R	8	-	15a	9.84	10.55	20.08	5/16" S	1/4" S	59.62	7.27	POE / 14.1	119-9262	
MCNC0075R	10	-	14a	11.89	13.23	17.01	5/16" S	1/4" S	60.21	7.7	POE / 14.1	119-9262	
MCNC0075R	10	-	14a	11.89	13.23	17.01	3/8" S	1/4" S	64.5	5.21	POE / 19.4	119-3990	
MCNC0100R	12	-	16a	13.94	15.98	19.02	3/8" S	1/4" S	64.5	11.93	POE / 19.4	119-3992	
MCNC0100R	12	-	16a	13.94	15.98	19.02	5/16" S	1/4" S	59.91	4.39	POE / 15.8	119-9263	

⁽¹⁾ Dimensions (in) available on page 37

⁽²⁾ Wiring diagram available on page 31
For spare parts, see pages 26

Opty™ condensing unit - MBP

Unit	N	Q	R	Compressor					Contactor	Service valve		
				4	Code number	Start capacitor	Run Capacitor	Start Relay		Suction	Discharge	Receiver valve
HCZC0150	114N3601	114N3602	114N3603	MTZ18-1 MTZ18-3 MTZ18-4	N: MTZ18-1VI Q: MTZ18-3VI R: MTZ18-4VI	N: 119-5637	N: 119-5617	N: 119-5616	N: 119-8784 Q,R: 119-5640	119-4545	119-4545	119-8785
HCZC0200	114N3604	114N3605	114N3606	MTZ22-1 MTZ22-3 MTZ22-4	MTZ22-1VI MTZ22-3VI MTZ22-4VI	N: 119-5637	N: 119-5618	N: 119-5616	N: 119-8784 Q,R: 119-5640	N: 119-4546 Q, R: 119-4545	119-4545	119-8785
HCZC0250	114N3607	114N3608	114N3609	MTZ28-1 MTZ28-3 MTZ28-4	MTZ28-1VI MTZ28-3VI MTZ28-4VI	N: 119-5636	N: 119-5619	N: 119-5616	N: 119-8784 Q,R: 119-5640	N: 119-4546 Q, R: 119-4545	119-4545	119-8785
HCZC0275	114N3610	114N3611	114N3612	MTZ36-1 MTZ36-3 MTZ36-4	MTZ36-1VI MTZ36-3VI MTZ36-4VI	N: 119-5637	N: 119-5618	N: 119-5616	N: 119-8784 Q,R: 119-5640	119-4546	119-4545	119-8785
HCZC0300	114N3614	114N3615	114N3616	MTZ40-1 MTZ40-3 MTZ40-4	MTZ40-1VI MTZ40-3VI MTZ40-4VI	N: 119-5637	N: 119-5620	N: 119-5616	N: 119-8784 Q,R: 119-5640	119-4546	119-4545	119-8785
HGZC0400	114N3617	114N3618	114N3619	MTZ50-1 MTZ50-3 MTZ50-4	MTZ50-1VI MTZ50-3VI MTZ50-4VI	N: 119-5636	N: 119-5618	N: 119-5616	N: 119-4652 Q: 119-5639 R: 119-5640	119-4549	119-4546	119-4545
HGZC0500	114N3621	114N3622	114N3623	MTZ64-1 MTZ64-3 MTZ64-4	MTZ64-1VI MTZ64-3VI MTZ64-4VI	N: 119-5635	N: 119-5620	N: 119-5616	N: 119-4652 Q: 119-5639 R: 119-5640	119-4549	119-4547	119-4545
HGZC0700		114N3626	114N3627	MTZ80-3 MTZ80-4	MTZ80-3VI MTZ80-4VI	---	---	---	Q: 119-4652 R: 119-5640	119-4549	119-4547	119-4545
HGZC0900		114N3628	114N3629	MTZ100-3 MTZ100-4	MTZ100-3VI MTZ100-4VI	---	---	---	Q: 119-4652 R: 119-5639	119-4550	119-4548	119-4545
HGZC1000		114N3631	114N3632	MTZ125-3 MTZ125-4	MTZ125-3VI MTZ125-4VI	---	---	---	Q: 119-4652 R: 119-5639	119-4550	119-4548	119-4545
HGZC1200		114N3633	114N3634	MTZ144-3 MTZ144-4	MTZ144-3VI MTZ144-4VI	---	---	---	Q: 119-4652 R: 119-5639	119-4550	119-4548	119-4545
HGZC1350		114N3636	114N3637	MTZ160-3 MTZ160-4	MTZ160-3VI MTZ160-4VI	---	---	---	Q: 119-4652 R: 119-5639	119-4550	119-4548	119-4545

Unit	Oil	Condenser kit	Low pressure switch	Fan kit	Fan cycling	Filter drier	Receiver	Sight glass	Transformer
HCZC0150	120Z0638	119-8720	060-5253	N,Q: 119-8716 R: 119-8718	060-5241	023Z5058	119-8733	014L0182	R: 119-8687
HCZC0200	120Z0638	119-8720	060-5253	N,Q: 119-8716 R: 119-8718	060-5241	023Z5058	119-8733	014L0182	R: 119-8687
HCZC0250	120Z0638	119-8726	060-5253	N,Q: 119-8716 R: 119-8718	060-5241	023Z5064	119-8733	014L0182	R: 119-8687
HCZC0275	120Z0638	119-8726	060-5253	N,Q: 119-8716 R: 119-8718	060-5241	023Z5064	119-8733	014L0182	R: 119-8687
HCZC0300	120Z0638	119-8727	060-5253	N,Q: 119-8715 R: 119-8714	060-5241	023Z5064	119-8733	014L0182	R: 119-8687
HGZC0400	120Z0638	119-8721	060-5253	N,Q: 119-8716 R: 119-8718	060-5241	023Z5067	119-8731	014L0203	R: 119-8687
HGZC0500	120Z0638	119-8722	060-5253	N,Q: 119-8715 R: 119-8714	060-5241	023Z5067	119-8732	014L0203	R: 119-8687
HGZC0700	120Z0638	119-8724	060-5253	Q: 119-8715 R: 119-8714	060-5241	023Z5067	119-8728	014L0203	R: 119-8687
HGZC0900	120Z0638	119-8725	060-5253	Q: 119-8717 R: 119-8719	060-5241	023Z5067	119-8729	014L0203	R: 119-8687
HGZC1000	120Z0638	119-8725	060-5253	Q: 119-8717 R: 119-8719	060-5241	023Z5067	119-8729	014L0203	R: 119-8687
HGZC1200	120Z0638	119-8725	060-5253	Q: 119-8717 R: 119-8719	060-5241	023Z5067	119-8729	014L0203	R: 119-8687
HGZC1350	120Z0638	119-8725	060-5253	Q: 119-8717 R: 119-8719	060-5241	023Z5067	119-8730	014L0203	R: 119-8687

Optyma™ condensing unit R404A/R507 - LBP

Unit	N	Q	R	Compressor					Contactor	Service valve		
				Model no	Code number	Start capacitor	Run Capacitor	Start Relay		Suction	Discharge	Receiver valve
LCHC0151	114N6725	114N6726		N: NTZ048A1 Q: NTZ048A3	N: 120F0293 Q: 120F0279	N: 119-5637	N: 119-5618	N: 119-5616	N: 119-8784 Q: 119-5640	119-4546	119-4545	119-8785
LCHC0201	114N6729	114N6730	114N6731	N: NTZ068A1 Q: NTZ068A3 R: NTZ068A4	N: 120F0294 Q: 120F0280 R: 120F0230	N: 119-5636	N: 119-5619	N: 119-5616	N: 119-8784 Q,R: 119-5640	119-4546	119-4545	119-8785
LCHC0301	114N6733	114N6734		N: NTZ108A1 Q: NTZ108A3	N: 120F0296 Q: 120F0282	N: 119-5636	N: 119-5618	N: 119-5616	N: 119-8784 Q: 119-5640	119-4549	119-4546	119-8785
LGHC0401	114N6737	114N6738	114N6739	N: NTZ136A1 Q: NTZ136A3 R: NTZ136A4	N: 120F0297 Q: 120F0283 R: 120F0236	N: 119-5636	N: 119-5618	N: 119-5616	N: 119-4652 Q: 119-5639 R: 119-5640	119-4549	119-4546	119-4545
LGHC0601		114N6741	114N6742	Q: NTZ215A1 R: NTZ215A3	N: 120F0284 Q: 120F0240	---	---	---	Q: 119-4652 R: 119-5639	119-4550	119-4547	119-4545
LGHC0751		114N6744	114N6745	Q: NTZ271A1 R: NTZ271A3	N: 120F0285 Q: 120F0242	---	---	---	Q: 119-4652 R: 119-5639	119-4550	119-4547	119-4545

Unit	Oil	Condenser kit	pressure switch	Fan kit	Fan cycling	Filter drier	Receiver	Sight glass	Transformer
LCHC0151	120Z0638	119-8720	060-5249	119-8716	060-5241	023Z5058	119-8733	014L0182	---
LCHC0201	120Z0638	119-8720	060-5249	N,Q: 119-8716 R: 119-8718	060-5241	023Z5058	119-8733	014L0182	R: 119-8687
LCHC0301	120Z0638	119-8726	060-5249	119-8716	060-5241	023Z5064	119-8733	014L0182	---
LGHC0401	120Z0638	119-8721	060-5249	N,Q: 119-8716 R: 119-8718	060-5241	023Z5067	119-8731	014L0203	R: 119-8687
LGHC0601	120Z0638	119-8723	060-5249	Q: 119-8715 R: 119-8714	060-5241	023Z5067	119-8728	014L0203	R: 119-8687
LGHC0751	120Z0638	119-8723	060-5249	Q: 119-8715 R: 119-8714	060-5241	023Z5067	119-8728	014L0203	R: 119-8687

Optyma™ condensing unit R448A / R449A – H/MBP

Code no	Compressor			Fan Motor	Fan Blade	Condenser	Low Pressure Switch	Fan Cycling	Start Capacitor	Run Capacitor	Relay	LP Hose	HP Hose FC Hose	Motor Protector
	Model No	Model	Code No											
114N2088 114N2107	HCYC0075RC0001N HCYC0075RC0002N	MPT14RF	123B2543	119-5665	119-5672	119-9260	N/A	N/A	123B9302	123B9231	123B9196	N/A	N/A	123B9585
114N2089 114N2108	HCYC0100RC0001N HCYC0100RC0002N	MX18TGa	123B2541	119-5665	119-5672	119-9260	N/A	N/A	123B9321	123B9231	123B9159	N/A	N/A	123B9586
114N2102 114N2109	HCYC0075RC0001B HCYC0075RC0002B	MPT14RD	123B2544	119-5663	119-5672	119-9260	N/A	N/A	123B9756*	123B9756*	N/A	N/A	N/A	123B9577

NOTE: 123B9756 it is a connecting box include run and start capacitor

Opty™ condensing unit R290 – L/MBP

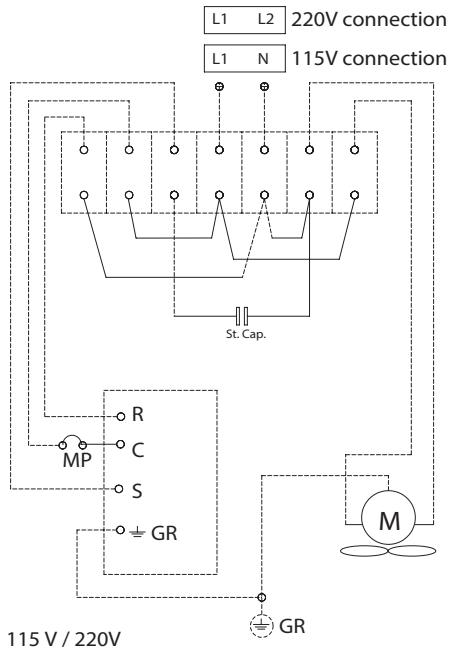
Code no	Compressor			Fan Motor	Fan Blade	Condenser	Low Pressure Switch	Fan Cycling	Start Capacitor	Run Capacitor	Relay	LP Hose	HP Hose FC Hose	Motor Protector
	Model No	Model	Code No											
114N2090	MCNC0015RDF600B	NBC30NR	123B8311	119-9246	N/A	119-9240	N/A	N/A	123B9323	N/A	123B9182	N/A	N/A	123B9567
114N2117	MCNC0015RDF602B													
114N2092	MCNC0020RDF600B	NUT55LRb	125B3165	119-9246	N/A	119-9240	N/A	N/A	123B9328	123B9216	123B9189	N/A	N/A	123B9579
114N2119	MCNC0020RDF602B													
114N2097	MCNC0033RWA000B	DLE6.5CN	119-9349	119-9344	119-9252	119-9242	N/A	N/A	119-7769	N/A	119-9357	N/A	N/A	N/A
114N2123	MCNC0033RWA002B													
114N2094	MCNC0050RDF600B	NLY12NRb	123B3304	119-9247	119-5672	119-8703	N/A	N/A	123B9314	123B9216	123B9187	N/A	N/A	123B9527
114N2121	MCNC0050RDF602B													
114N2091	MCNC0050RWA000B	NLY12NRb	123B3304	119-9247	119-5672	119-8703	N/A	N/A	123B9314	123B9216	123B9187	N/A	N/A	123B9527
114N2118	MCNC0050RWA002B													
114N2095	MCNC0075RDF600B	NPT14ND	123B3328	119-9247	119-5672	119-8703	N/A	N/A	123B9328	123B9227	123B9143	N/A	N/A	123B9496
114N2122	MCNC0075RDF602B													
114N2098	MCNC0075RWA000B	NPT14ND	123B3328	119-9247	119-5672	119-8703	N/A	N/A	123B9328	123B9227	123B9143	N/A	N/A	123B9496
114N2124	MCNC0075RWA002B													
114N2099	MCNC0075RWA000N	SCE15MNX	119-9347	119-9247	119-5672	119-8703	N/A	N/A	119-9348	N/A	119-9348	N/A	N/A	N/A
114N2125	MCNC0075RWA002N													
114N2100	MCNC0100RWA000B	SCE18MNX	119-9345	119-9247	119-9363	119-5642	N/A	N/A	119-9346	N/A	119-9346	N/A	N/A	N/A
114N2126	MCNC0100RWA002B													
114N2101	MCNC0100RWA000N	NPT16NF	123B3326	119-9247	119-9363	119-5642	N/A	N/A	123B9302	123B9222	123B9160	N/A	N/A	123B9582
114N2127	MCNC0100RWA002N													
114N2104	LCNC0075RDF600B	NPT16LR	123B3165	119-9248	119-5670	119-5626	N/A	N/A	123B9329	123B9221	123B9143	N/A	N/A	123B9494

NOTE: 119-9348 and 119-9346 included all electrical kit service

Spare Part Number	Raw material	Spare Part Description
119-8786	101Z0203	Service Kit BD50F 12/24VDC - R134a
119-8787	104L2853	Service Kit SC15CL 220V
119-8788	105G5954	Service Kit NF11FX2 115V
119-8789	191U196000	Service Kit NT6217Z 115V R134a
119-8027	191U197900	Service Kit NT6215Z 115V R134a
119-8028	191U196300	Service Kit NJ6220Z 115V R134a
119-8029	191U196400	Service Kit NJ6220Z 208-230V R134a
119-8030	191U197400	Service Kit NJ6226Z 208-230V R134a
119-8031	191U196700	Service Kit NT2178GK 115V R404A
119-8032	191U196800	Service Kit NT2178GK 208-230V R404A
119-8033	191U197300	NJ2192GK 208-230V/60Hz/1PH R404A
119-8034	191U197000	NT6220GK 208-230V/60Hz/1PH R404A
119-8035	191U197200	NT6222GKV 208-230V/60Hz/1PH R404A
195B0059	104G8820	SC18G Universal R134A 220-240V 50/60Hz
195B0061	104L1603	SC12CL LBP R404A/R507 115V 60Hz
195B0099	104G7550	SC15G Universal R134A 115V 60Hz
195B0147	104L1503	KIT SC10CLX 115V R404A/R507 60HZ LBP/MBP
195B0237	104L1853	SERVICE-Kit SC15CLX.2 115V 60HZ R404A
195B0276	104G7800	Kit SC18G 115V 60HZ R134A
195B0306	104L2105	SERVICE-Kit SC18MLX 115V 60Hz R404A
195B0348	105F1612	SERVICE-Kit NF 5.5 CLX 115 V
195B0491	104L1696	SERVICE-Kit SC12CLX2 115V/60Hz
195B0510	104L1606	SERVICE-Kit SC12MLX 115V 60HZ R404A
195B0671	104L2536	SERVICE-Kit SC10CLX 208-230
195B0304	105F1727	NF7CLX 115V steel connectors
195B0388	105G5958	SERVICE-Kit NF 11 FX
195B0411	105G6665	NL6.1 MF 50/60Hz steel connectors
195B0468	102U2122	KIT TF4CLX COMPRESSOR 115V/60Hz
195B0560	105G5639	SERVICE-Kit NF6.1FX2 115V - P-T#6.5/S#
195B0586	105G5737	SERVICE-Kit NF 7.3 FX2 115 V
195B0672	105F1728	NF7CLX 115V steel connectors
119-5622	119-3158A	SP - CONDENSER AC 026T/3R/3/8"S 07FPI
119-5626	119-3169	SP - CONDENSER AC 024T/3R/5/16"R 07FPI
119-5629	119-3170	SP - CONDENSER AC 026T/3R/5/16"R 07FPI
119-5642	119-3175	SP - CONDENSER AC 052T/4R/5/16"R 09FPI
119-5643	119-3176	SP - CONDENSER AC 016T/2R/5/16"R 07FPI
119-5644	119-3177	SP - CONDENSER AC 032T/3R/5/16"R 07FPI
119-5645	119-3181	SP - CONDENSER AC 048T/4R/3/8"C 10FPI
119-5647	119-3182A	SP - CONDENSER AC 060T/4R/3/8"S 10FPI
119-5648	119-8127	SP - Condenser AC 20T/2R/ 5/16"OD 12FPI
119-8702	119-3171	SP - CONDENSER AC 036T/4R/5/16"R 07FPI
119-8703	119-3172	SP - CONDENSER AC 044T/4R/5/16"R 07FPI
119-5669	119-3303	SP - FAN BLADE AL 9"x22°x5 - CCW
119-5670	119-3306	SP - FAN BLADE AL 8"x30°x5 - CCW
119-5671	119-3309	SP - FAN BLADE AL 8"x22°x5 - CCW
119-5672	119-3311	SP - FAN BLADE AL 10"x34°x5 - CCW
119-5674	191U139700	SP - FAN BLADE AL 12"x24°x5 - CCW
119-5679	119-3624	SP - FAN GUARD 9" SQR BLK
119-5680	119-3625	SP - FAN GUARD 8" SQR BLK
119-5682	119-3637	SP - FAN GUARD 10" SQR BLK
119-5683	119-3639	SP - FAN GUARD 12" RND BLK
119-5684	191U138110	SP - FAN GUARD 12" RND BLK
119-5659	7605518	SP - FAN MOTOR 1/15HP 208-230V/50-60Hz
119-5660	7605521	SP - FAN MOTOR 1/15HP 115V/50-60Hz
119-5661	119-3250	SP - FAN MOTOR 5W 115V/60Hz
119-5662	119-3256	SP - FAN MOTOR 9W 115V/60Hz
119-5663	119-3257	SP - FAN MOTOR 16W 115V/60Hz
119-5664	119-3258	SP - FAN MOTOR 9W 230V/60Hz
119-5665	119-3260	SP - FAN MOTOR 16W 230V/60Hz
119-5649	119-8128	SP - Fan Motor 24VDC 5214NH 127x38mm

Spare Part Number	Raw material	Spare Part Description
023Z5013	023Z5013	Filter drier DCL 032S M/32
023Z8128	023Z8128	Filter drier DCL 032SX2/3mm I/28
023Z8129	023Z8129	Filter drier DML 032SX2/2S I/28
023Z8252	023Z8252	Filter drier DCL 1.525XL/2.8mm I/36
119-8544	119-8308	SP - Capillary Hose .6 mts Red
119-8543	119-8200	SP - Capillary Hose .6 mts Blue
032F5043	032F5043	EVU2 Valve ODF-ODF 1/4-1/4in I-pack 40
042N4233	042N4233	Coil AY120C 110-120V 50/60Hz Ext. Frame
068-2010	068-2010	Orifice No 01 for T/TE 2
068Z3400	068Z3400	T 2 Therm. exp. valve Flare/Flare
119-5650	101N0213	SP - Electronic Module 2G - BD35/50F
119-5651	119-5400	SP - Crankcase Heater 120V (belly band)
060-117191	060-117191	KP5 Pressure Switch M/36
060-5231	060-5231	KPU1 Pressure Switch M/14
060-5249	060-5249	KPU15B Pressure Switch M/14
061F6050	061F6050	ACB Cartridge Switch 2UB215W I/100
061F7506	061F7506	ACB Cartridge Switch 2UB506W I/20
061F7520	061F7520	ACB Cartridge Switch 2UA520W I/20
061F8490	061F8490	ACB Cartridge Switch 2UA392W I/20
119-5652	119-3322	SP - Liquid Receiver 0.028 ft ³ (UL)
119-5654	119-3323	SP - Liquid Receiver 0.038 ft ³ (UL)
119-5655	119-3324	SP - Liquid Receiver 0.056 ft ³ (UL)
119-5657	119-3643	SP - Receiver 0.4 L UL BK 2.5"ODx5"
119-5658	119-3670	SP - Receiver UL BK 2.5" OD x 5"
119-5666	119-3671A	SP - Receiver UL BK 3"ODx9"
119-7757	117-7441	SP - STARTING RELAY SC 115V/60Hz
119-7758	117U4061	SP - STARTING RELAY NL/FF 115V/60Hz
119-7759	117U4123	SP - STARTING RELAY NF 115V/60Hz
119-7760	117U4127	SP - STARTING RELAY NF 115V/60Hz
119-7761	117U4129	SP - STARTING RELAY NF 115V/60Hz
119-7762	117U4148	SP - STARTING RELAY TF 115V/60Hz
119-7764	117U6005	SP - STARTING RELAY SC 220V/50Hz
119-7766	117U6020	SP - STARTING RELAY SC 115V/60Hz
119-5667	117U4151	SP - STARTING RELAY NF 115V/60Hz
119-5675	117U6015	SP - Starting Relay FR
119-5676	117U6019	SP - Starting Relay SC 50/60 Hz
119-5677	119-8131	SP - Solid State Relay 3.5-32VDC 3A
119-7772	117-7114	SP - RUN CAPACITOR 23.5 MFD 190 VAC
014L0181	014L0181	SGP 6s N Sight Glass M/25x4
119-7767	117U5019	SP - ST. CAPACITOR 80 MFD 330 VAC
119-7768	117U5022	SP - ST. CAPACITOR 320 MFD 125 VAC
119-7769	117U5023	SP - ST. CAPACITOR 240 MFD 125 VAC
119-7770	117U5025	SP - ST. CAPACITOR 280 MFD 125 VAC
119-7771	117U5028	SP - ST. CAPACITOR 410 MFD 125 VAC
119-5678	117U5015	SP - START CAPACITOR 80 mfd
119-5685	119-3609A	SP - VALVE BM 1/4"xF 1/4"x5/16"
119-5686	119-3610A	SP - VALVE BM F 1/4"xF 3/8"x5/16"
119-5687	119-3978B	SP - VALVE BM F 1/2"xF 1/4"x3/8"
119-8790	119-7079	SP - FAN MOTOR 9W 115V/60Hz

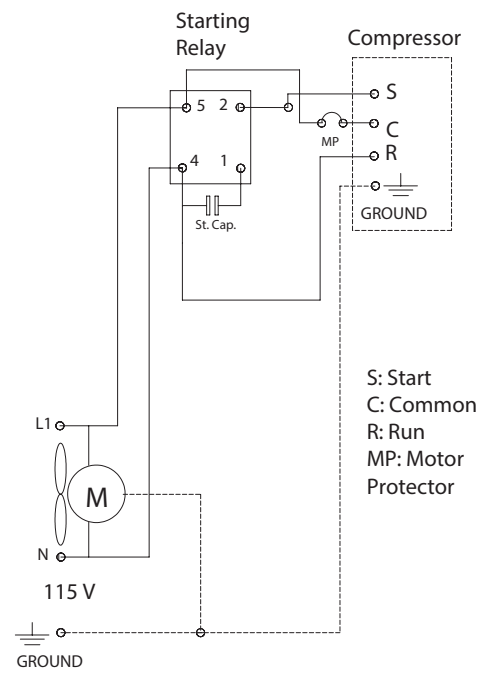
Wiring Diagram 119-3375



115 V / 220V

* Heater not shown
Use 14AWG black wire for connections **Ver 2**

Wiring Diagram 119-3983

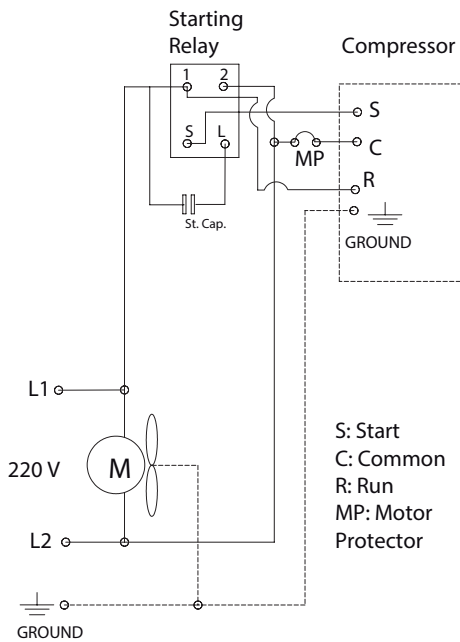


115 V

* Heater not shown
Ver 6

S: Start
C: Common
R: Run
MP: Motor
Protector

Wiring Diagram 119-3985



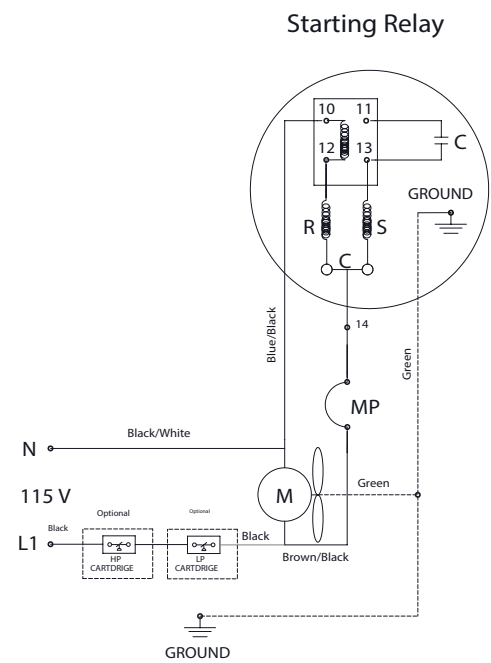
220 V

* Heater not shown

Ver 6

S: Start
C: Common
R: Run
MP: Motor
Protector

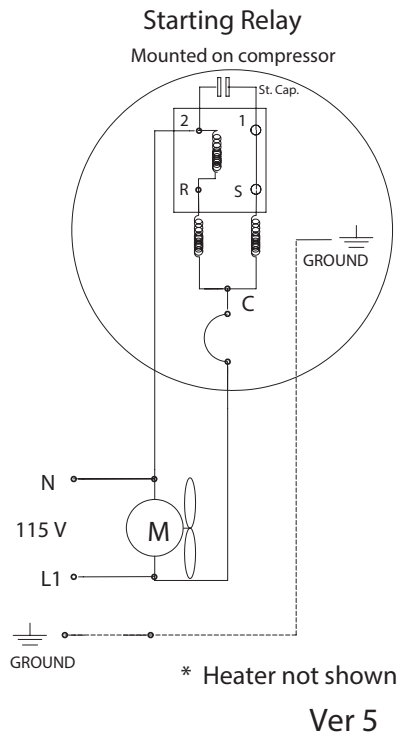
Wiring Diagram 119-3987



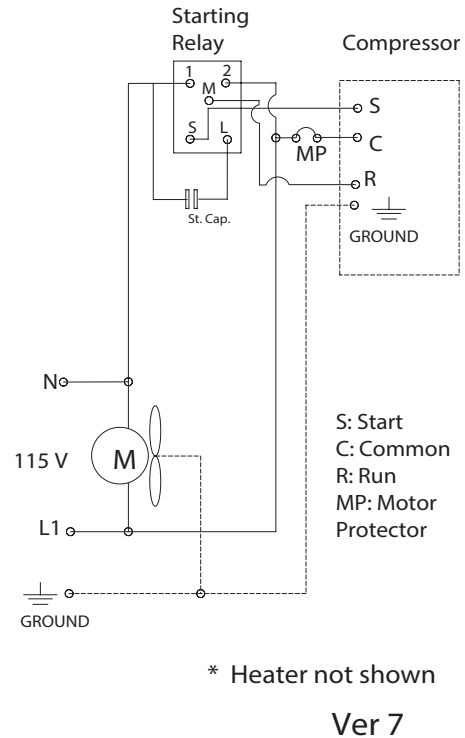
115 V

*Power cord
optional

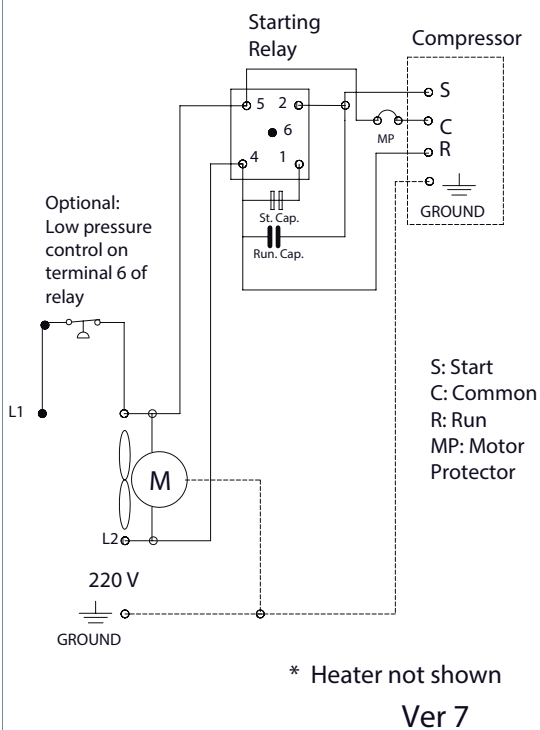
Wiring Diagram 119-3988



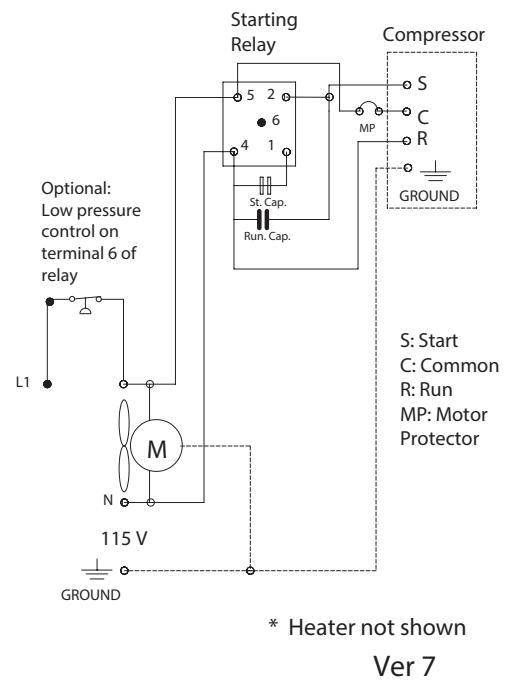
Wiring Diagram 119-3989



Wiring Diagram 119-3990

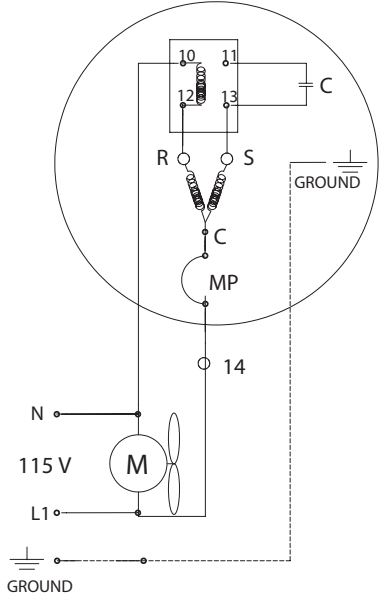


Wiring Diagram 119-3992



Wiring Diagram 119-3993

Starting Relay
Mounted on compressor

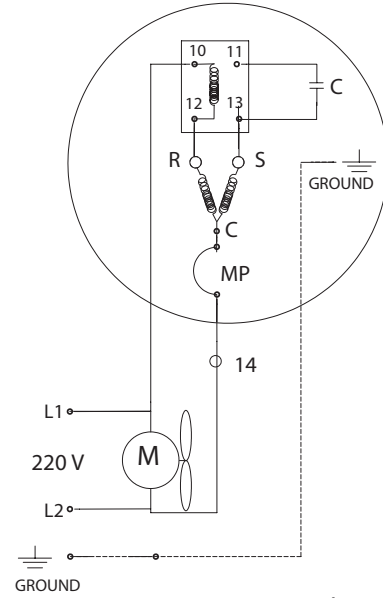


* Heater not shown

Ver 5

Wiring Diagram 119-3995

Starting Relay
Mounted on compressor

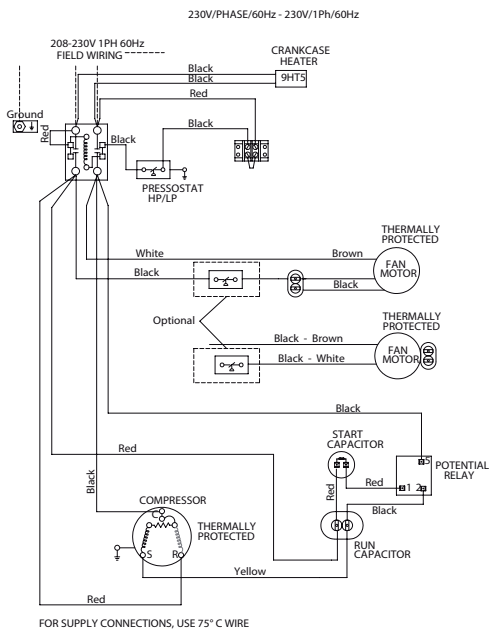


* Heater not shown

Ver 5

Wiring Diagram 119-6401

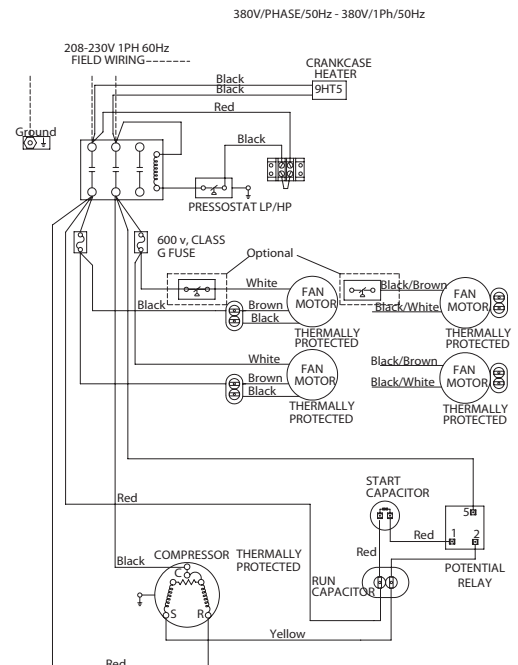
USE COPPER CONDUCTORS ONLY
POWER SUPPLY THRU FUSED DISCONNECT



FOR SUPPLY CONNECTIONS, USE 75° C WIRE

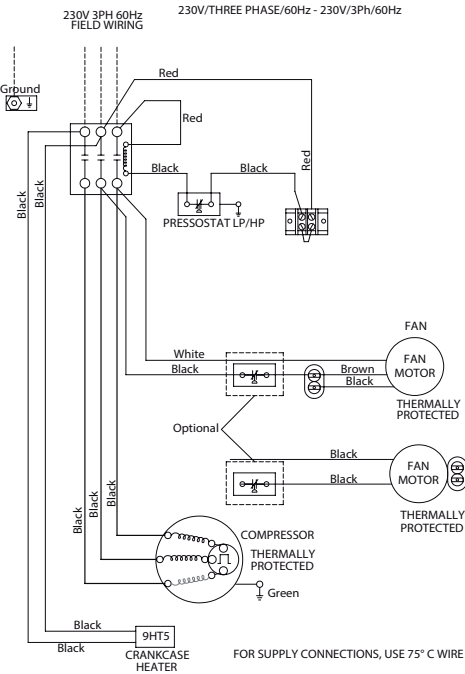
Wiring Diagram 119-6402

USE COPPER CONDUCTORS ONLY
POWER SUPPLY THRU FUSED DISCONNECT



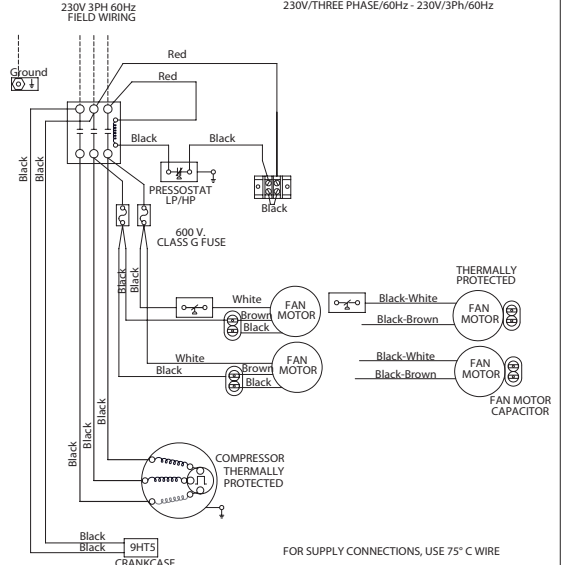
Wiring Diagram 119-6403

USE COPPER CONDUCTORS ONLY
POWER SUPPLY THRU FUSED DISCONNECT



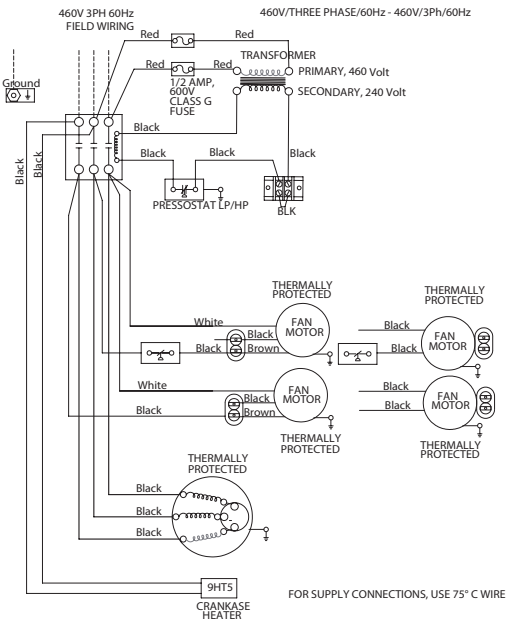
Wiring Diagram 119-6404

USE COPPER CONDUCTORS ONLY
POWER SUPPLY THRU FUSED DISCONNECT



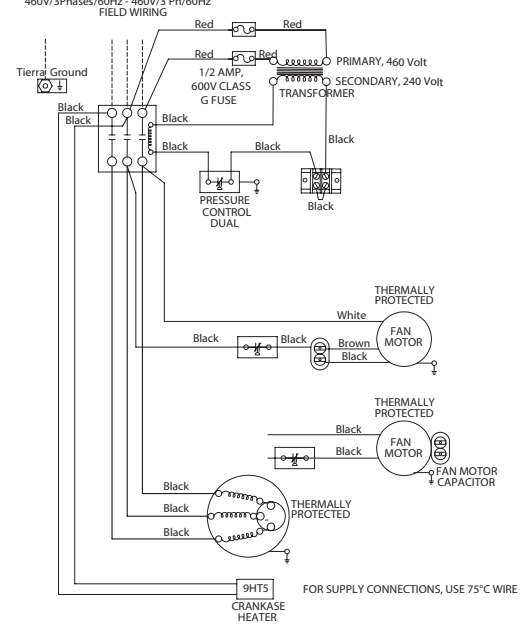
Wiring Diagram 119-6405

USE COPPER CONDUCTORS ONLY
POWER SUPPLY THRU FUSED DISCONNECT

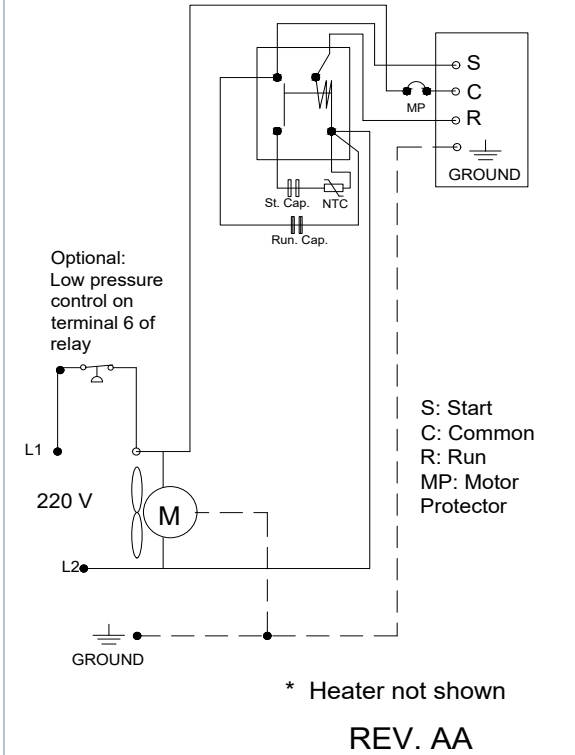


Wiring Diagram 119-6406

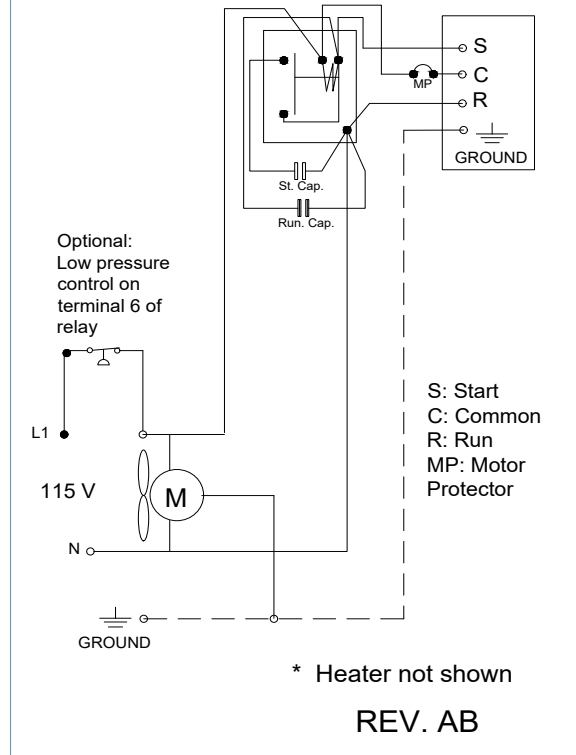
460V/THREE PHASE/60Hz - 460V/3 Phase/60Hz
460V/3Phases/60Hz - 460V/3 Ph/60Hz



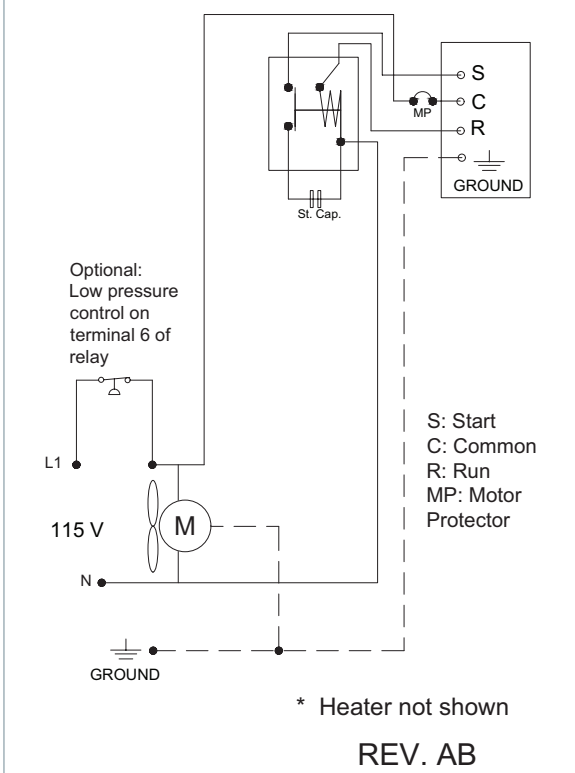
Wiring Diagram 119-9231



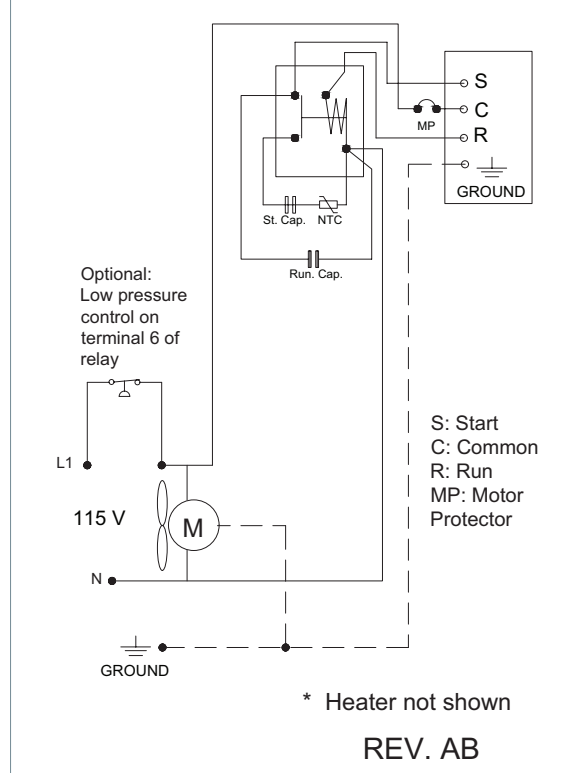
Wiring Diagram 119-9233



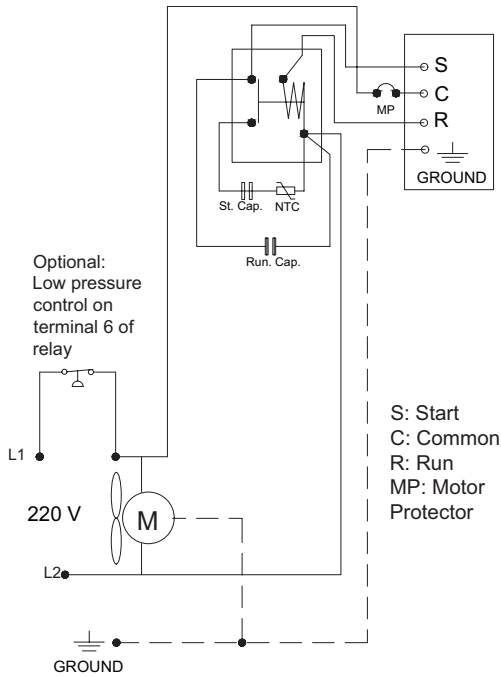
Wiring Diagram 119-9261



Wiring Diagram 119-9262



Wiring Diagram 119-9263

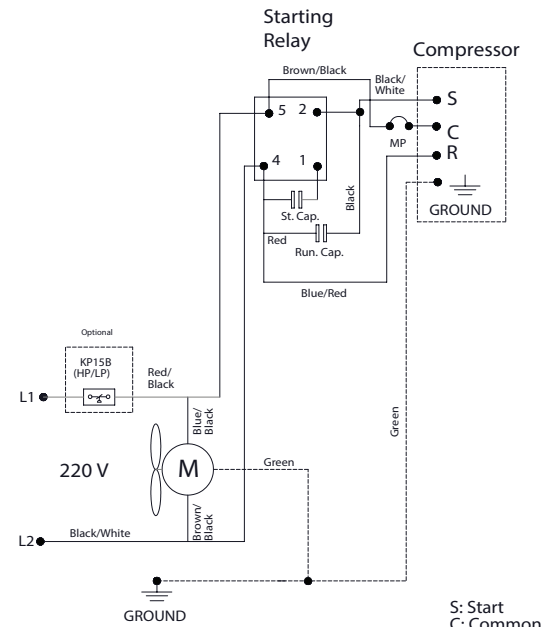


* Heater not shown

REV. AB

Wiring Diagram 119-3990

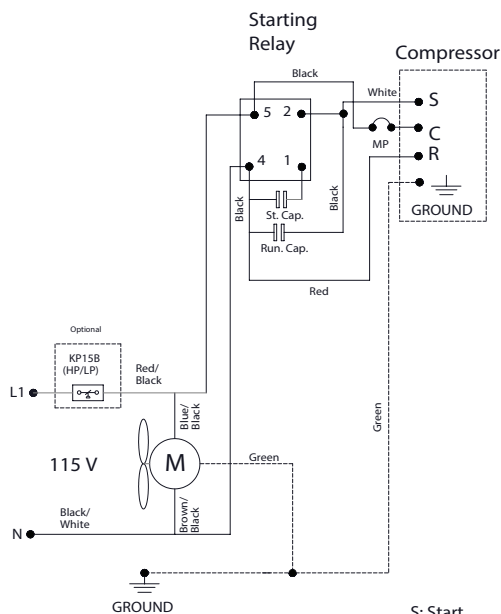
Wiring Diagram for SC/NJ compressor 220V



-Power cord optional
-Run Capacitor optional

Wiring Diagram 119-3992

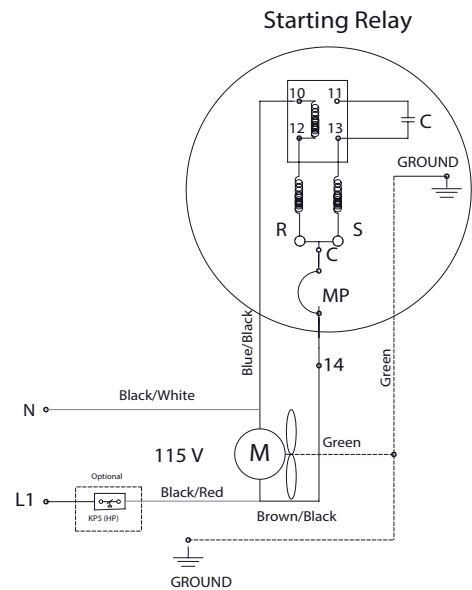
Wiring Diagram for SC/NT/NJ compressor 115V



-Power cord optional
-Run Capacitor optional
-HP/LP cartridges could replace KP15B

Wiring Diagram 119-3993

Wiring diagram for TL/SC compressors 115V



*Power cord optional

Figure 1

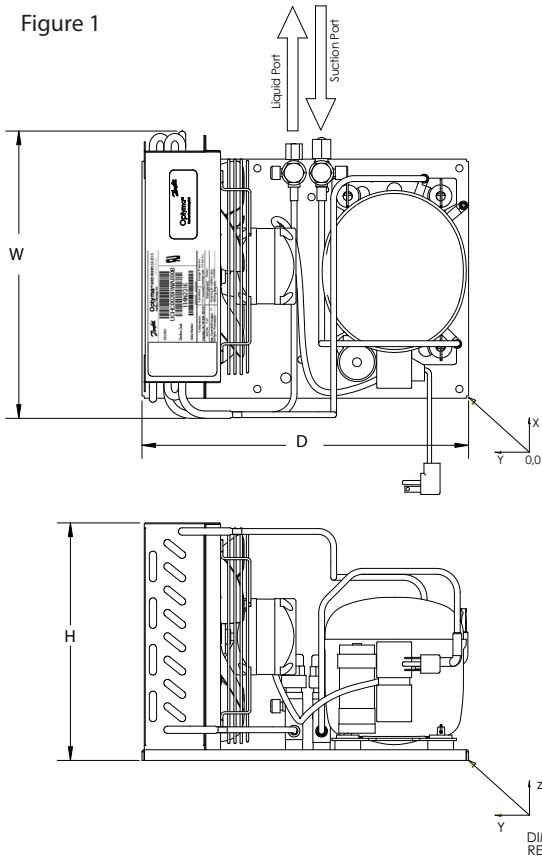


Figure 2

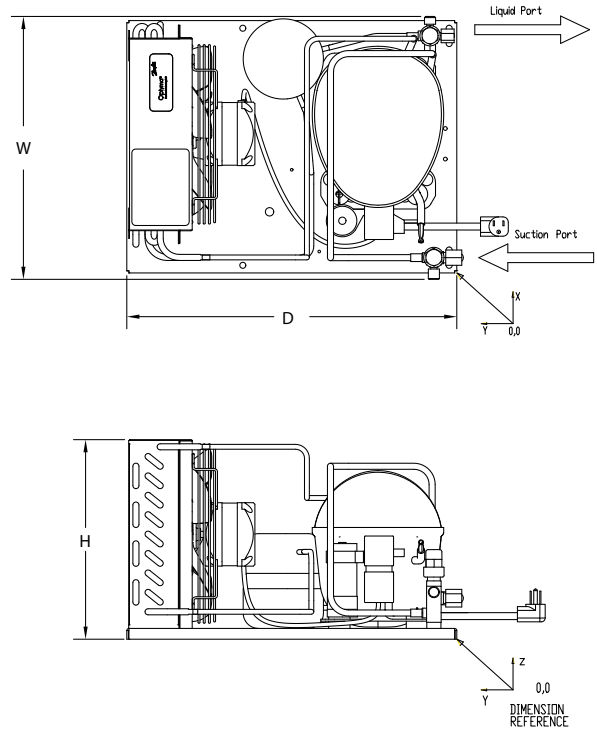


Figure 3

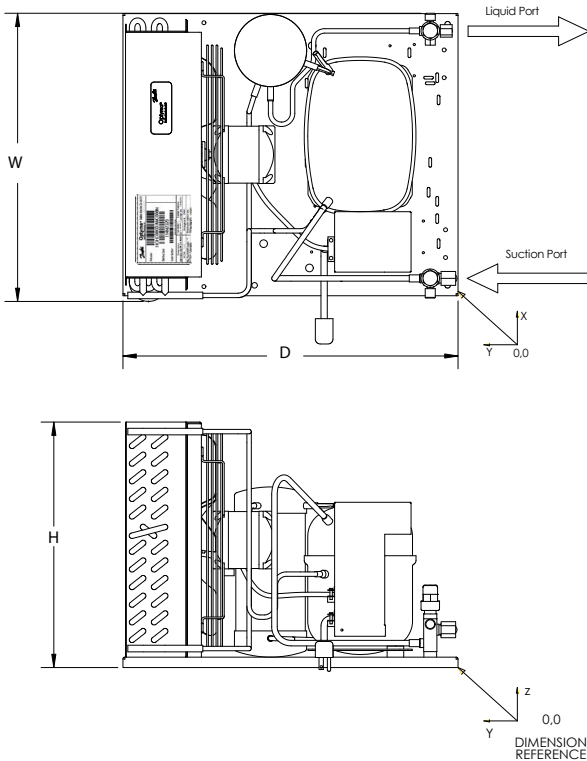


Figure 4

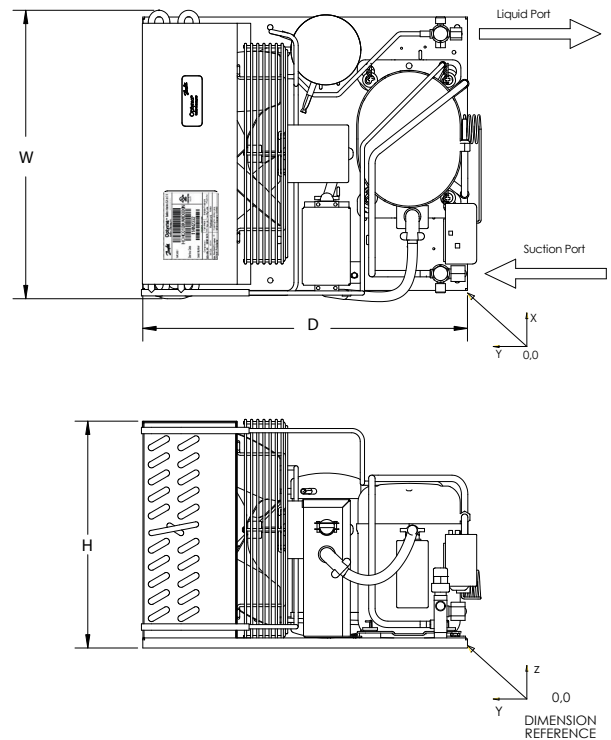


Figure 5

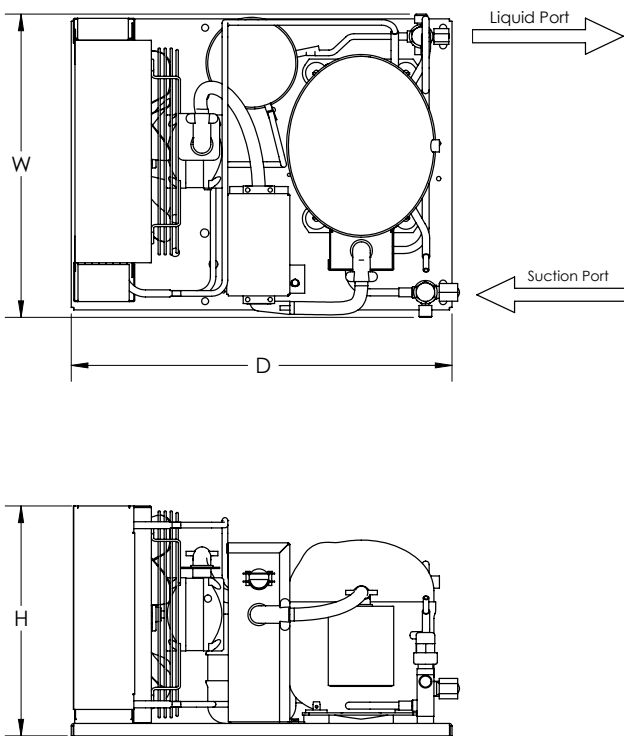


Figure 6a

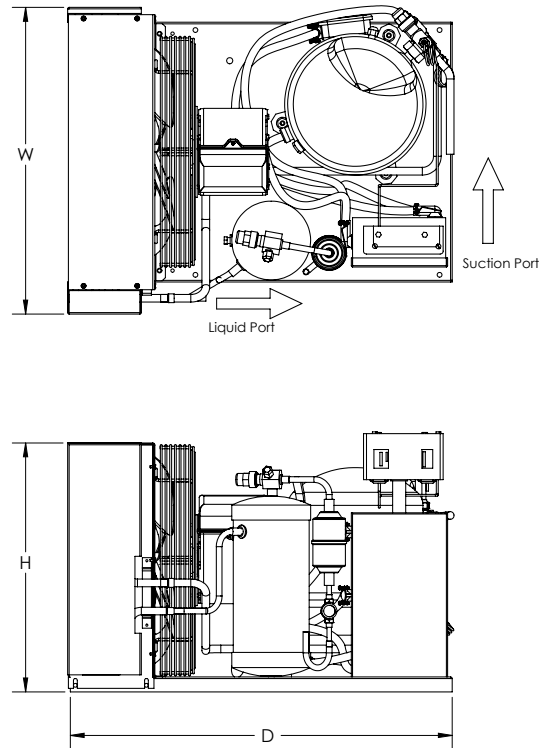


Figure 7a

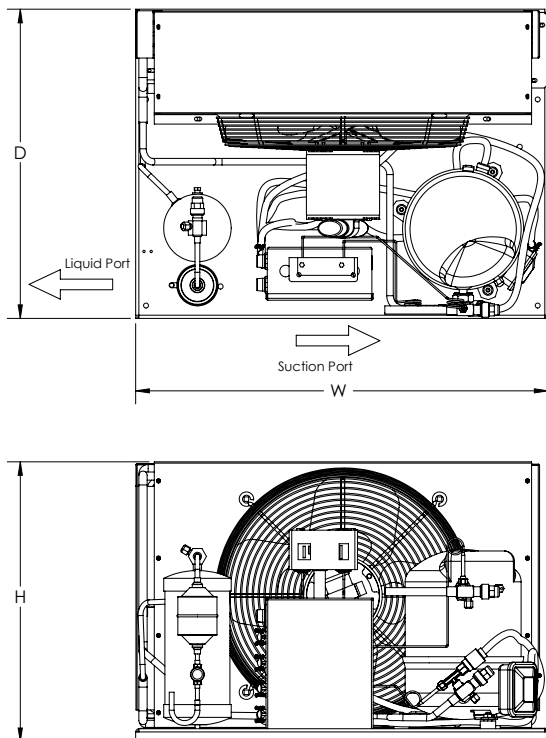
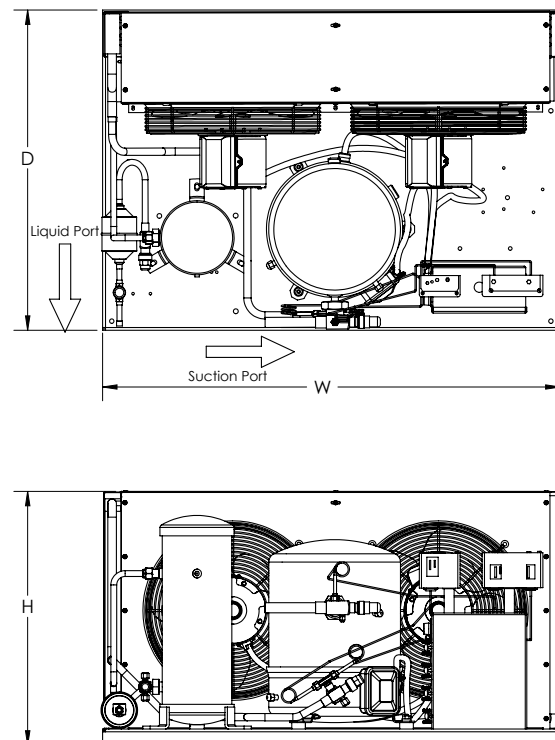
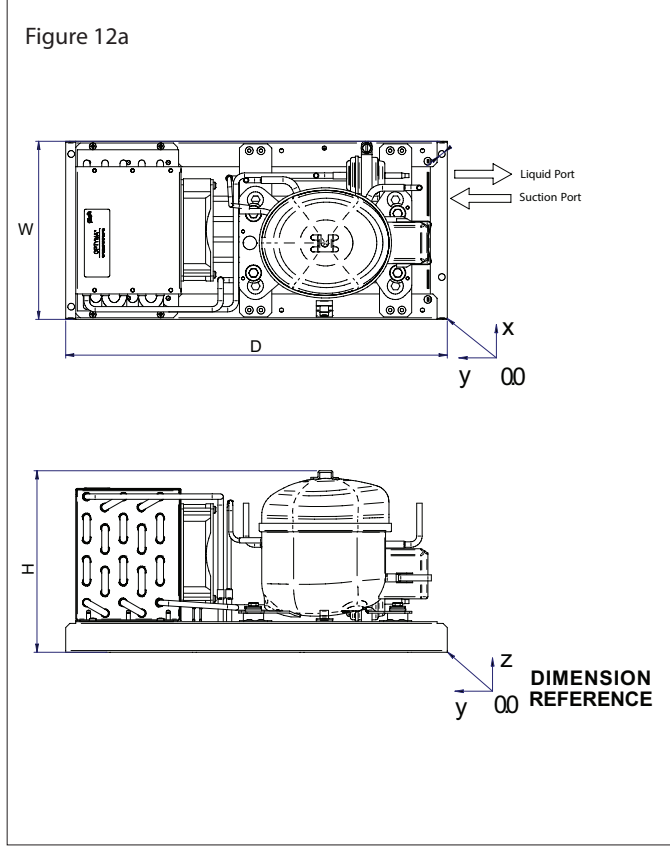
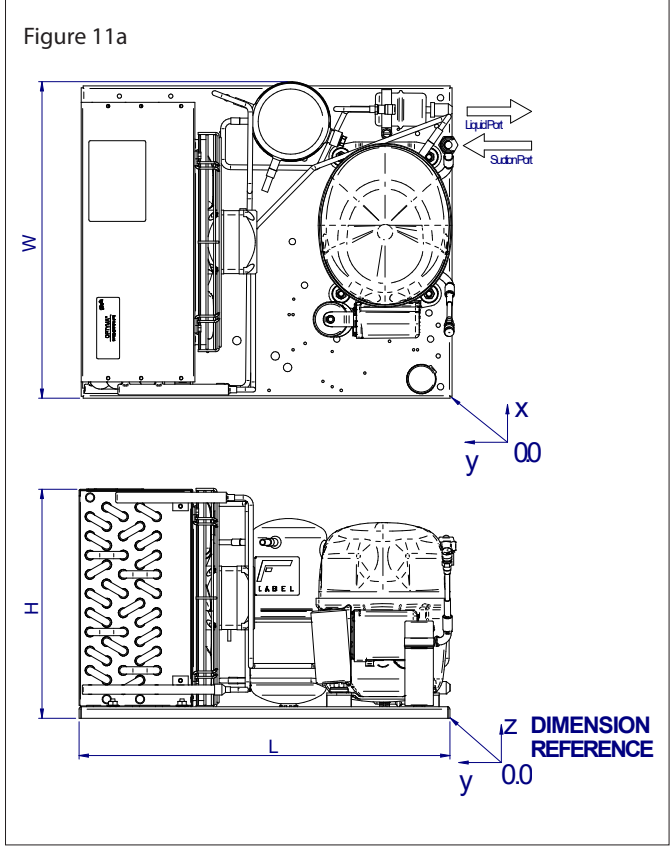
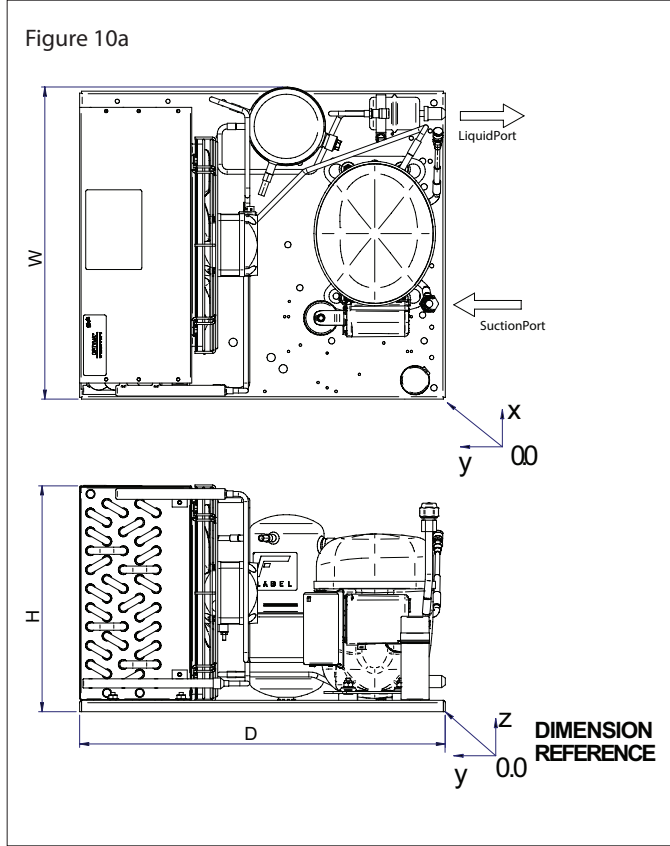
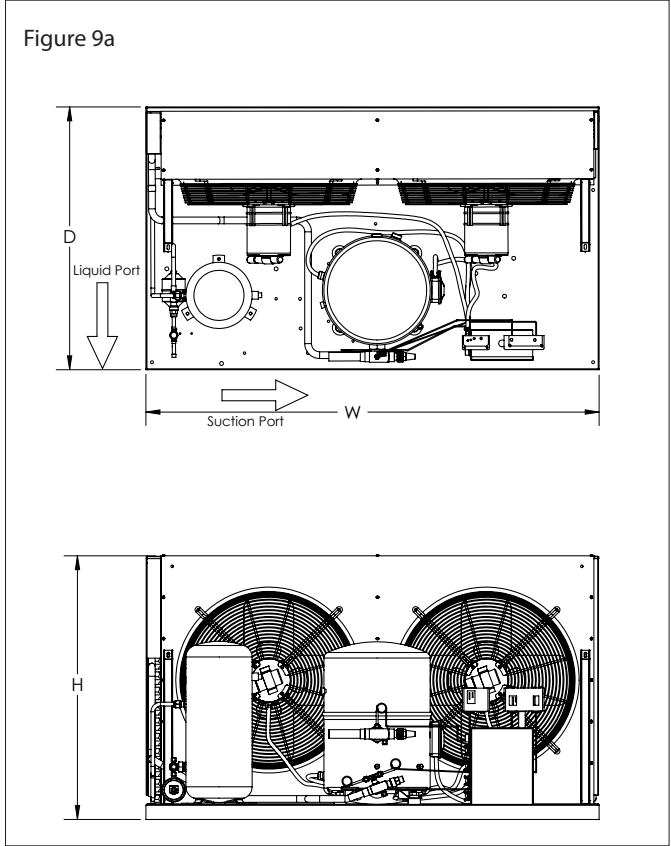
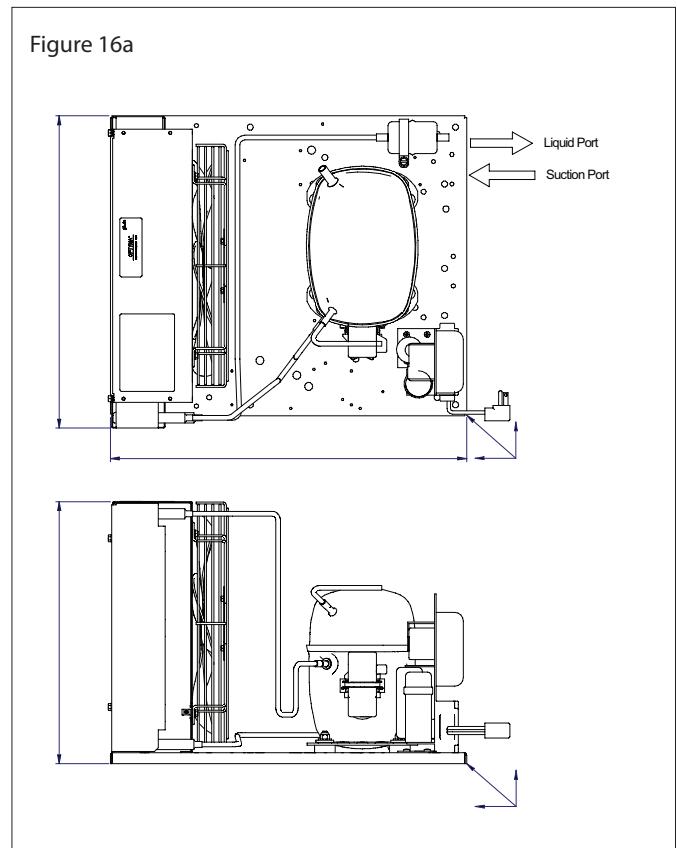
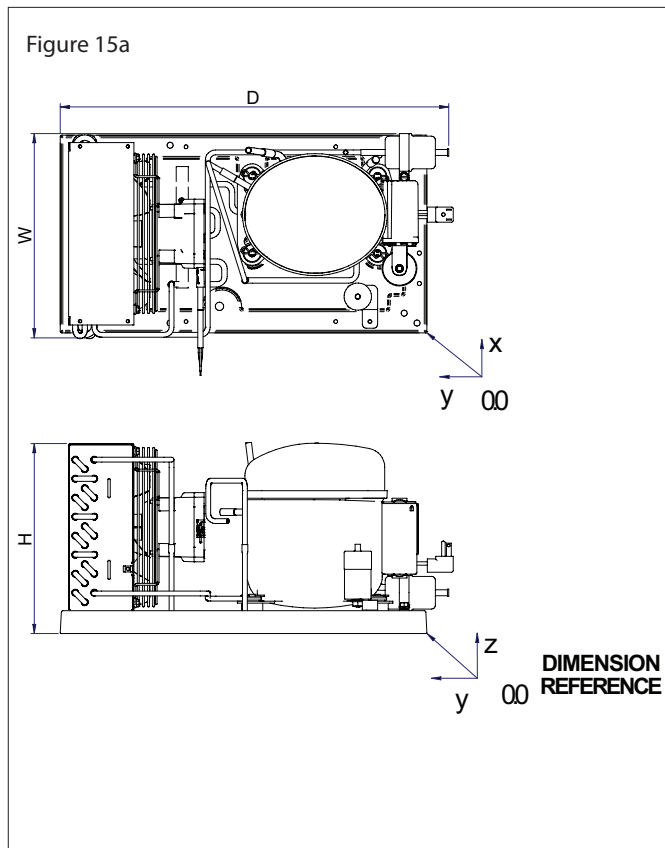
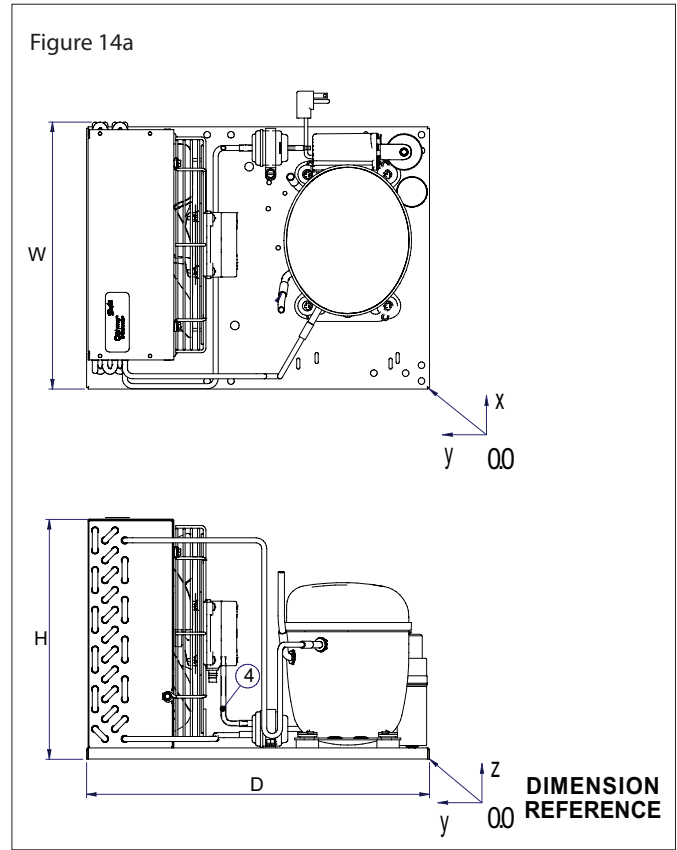
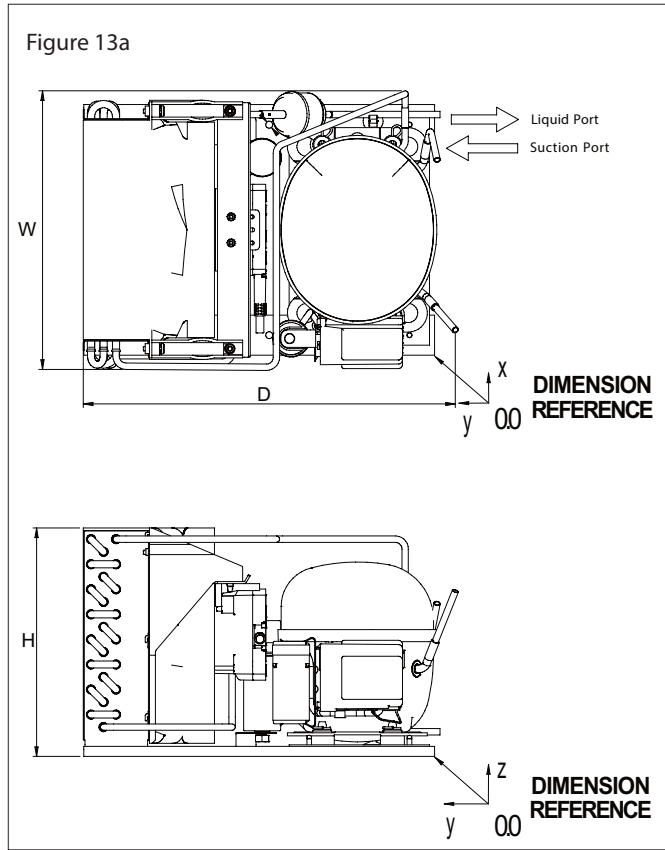
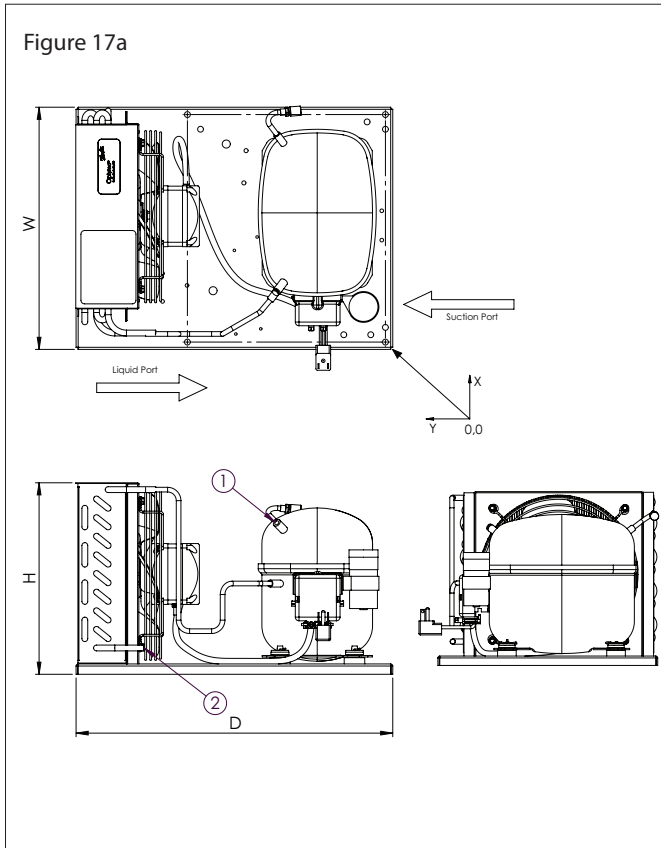


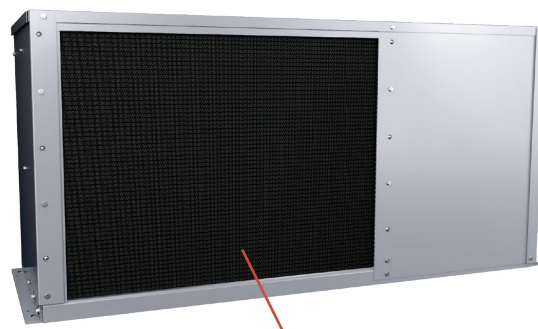
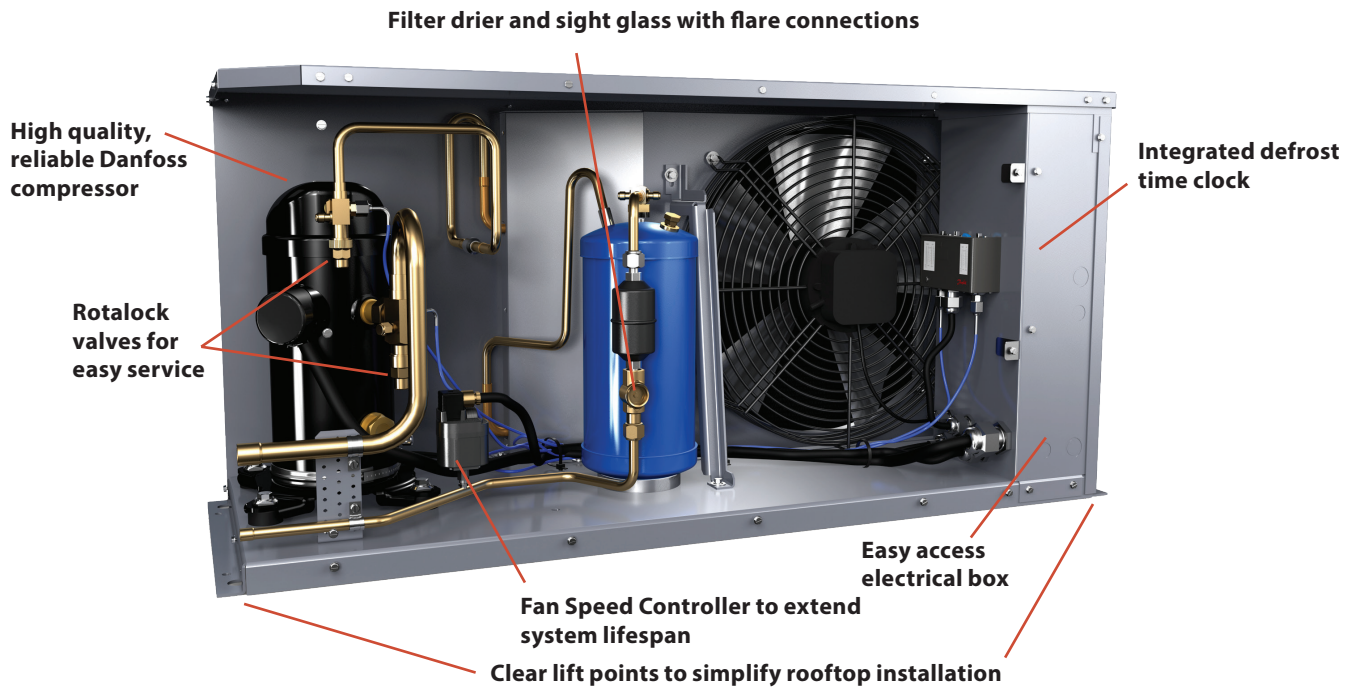
Figure 8a











Fan	Model no	Version	Electrical code	Code no	Compressor model	Amb. temp.	Capacity range in (btu/hr) at evaporating temperature						Power consumption [W] at evap. temp. 25 F	Power consumption [W] at evap. temp. 20 F	AWEF*	
						°F	10	15	20	25	30	35				40
Single fan	HJZM0150	WG	N	114N3485	MTZ18	90	7668	8819	10040	11330	12680	14100	15590	1705	1629	8.19
			Q	114N3486		95	7224	8330	9503	10740	12040	13410	14830			
		WK	N	114N3575		100	6791	7852	8978	10170	11420	12720	14090			
			Q	114N3576		110	-	6929	7960	9049	10190	11390	12640			
	HNXM0200	WG	N	114N3487	MLZ15	90	12910	14400	15990	17690	19490	21400	23430	2408	2357	8.44 8.77
			Q	114N3488		95	12460	13900	15430	17070	18810	20650	22610			
		WK	N	114N3577		100	12010	13390	14870	16450	18120	19900	21780			
			Q	114N3578		110	-	12370	13730	15190	16730	18370	20110			
	HNXM0250	WG	N	114N3489	MLZ19	90	16790	18660	20650	22770	25020	27390	29900	3013	2944	8.79 9.19
			Q	114N3490		95	16240	18040	19960	22000	24170	26460	28870			
		WK	N	114N3581		100	15690	17420	19260	21230	23310	25510	27830			
			Q	114N3582		110	-	16140	17840	19640	21560	23580	25730			
	HNXM0300	WG	N	114N3491	MLZ21	90	17760	19770	21910	24180	26580	29120	31800	3174	3097	8.92 9.24
			Q	114N3492		95	17130	19070	21130	23320	25630	28080	30660			
		WK	N	114N3579		100	16490	18360	20340	22440	24670	27030	29510			
			Q	114N3580		110	-	16900	18730	20660	22710	24880	27170			
	HNXM0350	WG	N	114N3493	MLZ26	90	22170	24600	27190	29960	32890	35990	39270	3826	3730	9.22 9.87
			Q	114N3494		95	21400	23740	26230	28890	31700	34690	37840			
		WK	N	114N3583		100	20620	22860	25250	27800	30500	33360	36390			
			Q	114N3584		110	-	21060	23240	25560	28030	30650	33420			
HNXM0400	WG	N	114N3495	MLZ30	90	26300	29140	32180	35420	38860	42510	46370	4455	4336	9.40 9.80	
		Q	114N3496		95	25260	28000	30920	34040	37360	40890	44610				
	WK	N	114N3585		100	24200	26830	29640	32640	35830	39220	42810				
		Q	114N3586		110	-	24410	26980	29730	32670	35800	39110				
WK	WK	WK	WK	WK	115	-	23180	25620	28240	31040	34030	37210				

Test condition

Return gas temperature 65°F
Subcooling 5°F

Electrical code

N: Compressor & fan(s) 230V, 1 ph, 60 Hz
Q: Compressor 208-230V, 3ph, 60 Hz
Fan(s) 230V, 1ph, 60 Hz

Version

WG: Electrical box, Receiver, Dual pressure control, Fan speed controller or Fan cycling, Defrost Timer, Outdoor enclosure (MBP)
WK: WG + Low Ambient Kit

HP rating in hundredths of HP, ie.: 033=1/3hp, (UCGC0100U:0100=1hp)
Power consumption referred at 90°F ambient temperature
*This refrigeration system is designed and certified for use in walk-in cooler applications
R448A and R449A performance data are nearly identical
Performance data is based on fan full speed

All Optyma Slim Condensing units are UL Listed

Model no	Condenser coil			Condenser fan	Receiver volume [Lbs]	Dimensions (in) ⁽¹⁾						Weight (lbs)		MCA (A)	Wiring diagram code ⁽²⁾
	Type	Air flow [CFM]	Int. volume [lbs]	Fan blade Ø (in)		Figure	Height H (in)	Width W (in)	Depth D (in)	Suction line	Liquid line	Gross	Net		
HJZM0150	D8	1410	0.9	14	6.5	1	19.5	43.5	13.4	¾"	¾"	176	156	12.6	119-8312 119-9313
														9.04	119-8315 119-9327
HNXM0200	G8	2825	1.1	18	13	1	22.4	47.4	16.5	7/8"	½"	253	227	19.2	119-8312 119-9312
														14.3	119-8313 119-9326
HNXM0250	G8	2825	1.1	18	13	1	22.4	47.4	16.5	7/8"	½"	253	227	26.8	119-8312 119-9312
														18.6	119-8313 119-9326
HNXM0300	G8	2825	1.1	18	13	1	22.4	47.4	16.5	7/8"	½"	253	227	28.7	119-8312 119-9312
														19	119-8313 119-9326
HNXM0350	J8	3700	2.8	18	17.5	1	28.2	47.4	16.5	7/8"	½"	300	271	35.5	119-8312 119-9312
														22.7	119-8313 119-9326
HNXM0400	J8	3700	2.8	18	17.5	1	28.2	47.4	16.5	7/8"	½"	300	271	41.8	119-8312 119-9312
														26.6	119-8313 119-9326

⁽¹⁾ Dimensions (in) available on page 70
⁽²⁾ Wiring diagram available on pages 67
 For spare parts, see pages 65

Fan	Model no	Version	Electrical code	Code no	Compressor model	Amb. temp.	Capacity range in (btu/hr) at evaporating temperature						Power consumption [W] at evap. temp. 25 °F	Power consumption [W] at evap. temp. 20 °F	AWEF*	
						°F	10	15	20	25	30	35				40
Two fan	HNXM0500	WG	N	114N3497	MLZ38	90	31640	35200	39050	43210	47670	52450	57540	5406	5301	9.06
				95		30560	33980	37700	41710	46020	50630	55560				
		WK	N	114N3587		100	29480	32760	36330	40180	44340	48790	53550			
				114N3588		110	-	30290	33550	37090	40920	45040	49460			
		115	-	29050		32150	35530	39190	43140	47380						
	HRXM0600	WG	Q	114N3499	MLZ45	90	38490	42850	47520	52510	57830	63480	69460	6504	6351	9.64
				95		37070	41280	45790	50610	55760	61220	67020				
				100		35650	39700	44050	48710	53670	58950	64550				
				110		-	36520	40550	44850	49450	54360	59570				
		WK	Q	114N3589	110	-	36520	40550	44850	49450	54360	59570				
				115	-	34920	38780	42910	47320	52040	57060					
		WG	R	114N3519	MLZ45	90	38120	42410	46990	51880	57090	62610	68440	6337	6174	9.88
						95	36710	40840	45270	49990	55020	60350	66000			
						100	35280	39260	43530	48080	52930	58080	63540			
						110	-	36080	40020	44220	48710	53490	58560			
	115					-	34470	38240	42270	46580	51170	56040				
	HRXM0700	WG	Q	114N3500	MLZ48	90	42340	47050	52070	57410	63070	69060	75370	6907	6749	9.83
				95		40720	45260	50110	55260	60720	66490	72580				
				100		39070	43440	48100	53060	58320	63880	69750				
				110		-	39700	43980	48540	53380	58510	63930				
		WK	Q	114N3591	110	-	39700	43980	48540	53380	58510	63930				
				115	-	37770	41860	46210	50840	55760	60960					
		WG	R	114N3520	MLZ48	90	41800	46410	51310	56510	62000	67800	73900	6791	6622	10
						95	40180	44620	49340	54340	59640	65230	71100			
						100	38520	42780	47320	52130	57230	62600	68260			
						110	-	39010	43170	47580	52260	57210	62420			
	115					-	37070	41040	45250	49710	54440	59430				
	HRXM0750	WG	Q	114N3501	MLZ58	90	51070	56740	62810	69310	76240	83610	91420	7665	7493	10.28
				95		49310	54780	60640	66910	73590	80710	88260				
				100		47530	52790	58430	64470	70910	77770	85060				
				110		-	48720	53920	59480	65420	71770	78510				
		WK	Q	114N3592	110	-	48720	53920	59480	65420	71770	78510				
				115	-	46650	51620	56940	62630	68700	75180					
		WG	R	114N3521	MLZ58	90	50680	56260	62240	68620	75410	82630	90260	7953	7771	9.87
95						48910	54300	60060	66210	72760	79730	87100				
100						47120	52300	57840	63760	70080	76780	83900				
110						-	48230	53320	58770	64580	70770	77340				
115	-					46150	51010	56220	61780	67700	74000					
HRXM1000	WG	Q	114N3502	MLZ76	90	62370	69580	77310	85550	94330	103600	113500	9991	9768	9.88	
			95		59830	66820	74300	82280	90790	99810	109400					
			100		57230	63980	71210	78930	87150	95890	105200					
			110		-	58100	64800	71980	79630	87770	96420					
	WK	Q	114N3593	110	-	58100	64800	71980	79630	87770	96420					
			115	-	55060	61490	68380	75740	83580	91920						
	WG	R	114N3522	MLZ76	90	61710	68800	76380	84460	93040	102100	111700	10350	10120	9.51	
					95	59160	66020	73360	81170	89480	98290	107600				
					100	56540	63170	70250	77800	85830	94350	103400				
					110	-	57250	63810	70810	78270	86190	94580				
115					-	54190	60470	67190	74360	81970	90060					

Test condition

Return gas temperature 65°F
Subcooling 5°F

Electrical code

N: Compressor & fan(s) 230V, 1 ph, 60 Hz
Q: Compressor 208-230V, 3ph, 60 Hz & Fan(s) 230V, 1ph, 60 Hz
R: Compressor 420-460V, 3ph, 60 Hz & Fan(s) 460V, 1ph, 60Hz

Version

WG: Electrical box, Receiver, Dual pressure control, Fan speed controller or Fan cycling, Defrost Timer, Outdoor enclosure (MBP)
WK: WG + Low Ambient Kit

HP rating in hundredths of HP, i.e.: 033=1/3hp, (UCGC0100U:0100=1hp)
Power consumption referred at 90°F ambient temperature
*This refrigeration system is designed and certified for use in walk-in cooler applications
R448A and R449A performance data are nearly identical
Performance data is based on fan full speed
All Optyma Slim Condensing units are UL Listed

Model no	Condenser coil			Condenser fan	Receiver volume [Lbs]	Dimensions (in) ⁽¹⁾						Weight (lbs)		MCA (A)	Wiring diagram code ⁽²⁾
	Type	Air flow [CFM]	Int. volume [lbs]	Fan blade Ø (in)		Figure	Height H (in)	Width W (in)	Depth D (in)	Suction line	Liquid line	Gross	Net		
HNXM0500	N8	5180	3.7	18	22	2	28.8	49.4	31.5	7/8"	1/2"	400	367	50.4	119-8312 119-9312
														33.3	119-8313 119-9326
HRXM0600	N8	5180	3.7	18	22	2	28.8	49.4	31.5	7/8"	1/2"	400	367	39.2	119-8313 119-9312
														15	119-8640 119-9326
HRXM0700	N8	5180	3.7	18	22	2	28.8	49.4	31.5	7/8"	1/2"	400	367	42.2	119-8313 119-9312
														16	119-8640 119-9326
HRXM0750	Q8	8230	5.4	24	30	2	39.1	61.2	31.5	1 1/8"	5/8"	630	594	50.7	119-8313 119-9312
														20	119-8640 119-9326
HRXM1000	Q8	8230	5.4	24	30	2	39.1	61.2	31.5	1 1/8"	5/8"	630	594	65.1	119-8313 119-9312
														28	119-8640 119-9326

⁽¹⁾ Dimensions (in) available on page 70
⁽²⁾ Wiring diagram available on pages 67
 For spare parts, see pages 65

Fan	Model no	Version	Electrical code	Code no	Compressor model	Amb. temp.	Capacity range in (btu/hr) at evaporating temperature						Power consumption [W] at evap. temp. 25 °F	Power consumption [W] at evap. temp. 20 °F	AWEF*	
						°F	10	15	20	25	30	35				40
Single fan	HJZM0150	WG	N	114N3485	MTZ18	90	4842	5722	6684	7725	8847	10050	1150	1107	7.76	
				114N3486		95	4571	5415	6336	7334	8408	9558				10780
		WK	N	114N3575		100	4297	5106	5987	6941	7968	9067				10240
				114N3576		110	-	4486	5288	6156	7088	8086				9147
		115	-	4176		4940	5765	6651	7598	8606						
	HNXM0200	WG	N	114N3487	MLZ15	90	8480	9651	10900	12220	13630	15140	1577	1555	8.01	
				114N3488		95	8207	9349	10570	11860	13240	14710				16280
		WK	N	114N3577		100	7932	9041	10230	11490	12840	14270				15800
				114N3578		110	-	8422	9532	10720	12000	13360				14810
		115	-	8113		9183	10330	11560	12880	14290						
	HNXM0250	WG	N	114N3489	MLZ19	90	10900	12380	13960	15640	17440	19350	2053	2019	8.00	
				114N3490		95	10530	11980	13520	15170	16930	18800				20770
		WK	N	114N3581		100	10160	11570	13070	14680	16400	18220				20150
				114N3582		110	-	10750	12170	13690	15310	17030				18850
		115	-	10350		11720	13180	14750	16420	18180						
	HNXM0300	WG	N	114N3491	MLZ21	90	11600	13160	14830	16600	18480	20480	2124	2090	8.21	
				114N3492		95	11220	12740	14370	16100	17940	19890				21960
		WK	N	114N3579		100	10830	12310	13890	15580	17370	19280				21300
				114N3580		110	-	11430	12910	14500	16190	18000				19920
		115	-	10980		12420	13950	15590	17340	19200						
	HNXM0350	WG	N	114N3493	MLZ26	90	14440	16380	18460	20690	23060	25580	2611	2570	8.38	
				114N3494		95	13970	15870	17900	20070	22390	24860				27480
		WK	N	114N3583		100	13500	15340	17320	19440	21700	24110				26660
				114N3584		110	-	14270	16130	18120	20250	22530				24950
115		-	13740	15520		17440	19500	21710	24050							
HNXM0400	WG	N	114N3495	MLZ30	90	17090	19430	21920	24550	27340	30300	2940	2883	8.87		
			114N3496		95	16540	18820	21230	23800	26530	29420				32490	
	WK	N	114N3585		100	15980	18190	20540	23040	25690	28510				31500	
			114N3586		110	-	16940	19130	21470	23960	26610				29430	
	115	-	16320		18420	20670	23070	25630	28360							

Test condition

Return gas temperature 65°F
Subcooling 5°F

Electrical code

N: Compressor & fan(s) 230V, 1 ph, 60 Hz
Q: Compressor 208-230V, 3ph, 60 Hz
Fan(s) 230V, 1ph, 60 Hz

Version

WG: Electrical box, Receiver, Dual pressure control, Fan speed controller or Fan cycling, Defrost Timer, Outdoor enclosure (MBP)
WK: WG + Low Ambient Kit

HP rating in hundredths of HP, i.e.: 033=1/3hp, (UCGC0100U:0100=1hp)
Power consumption referred at 90°F ambient temperature

*This refrigeration system is designed and certified for use in walk-in cooler applications
Performance data is based on fan full speed

All Optyma Slim Condensing units are UL Listed

Model no	Condenser coil			Condenser fan	Receiver volume [Lbs]	Dimensions (in) ⁽¹⁾						Weight (lbs)		MCA (A)	Wiring diagram code ⁽²⁾
	Type	Air flow [CFM]	Int. volume [lbs]	Fan blade Ø (in)		Figure	Height H (in)	Width W (in)	Depth D (in)	Suction line	Liquid line	Gross	Net		
HJZM0150	D8	1410	0.9	14	6.5	1	19.5	43.5	13.4	5/8"	3/8"	176	156	12.6	119-8312 119-9313
														9.04	119-8315 119-9327
HNXM0200	G8	2825	1.1	18	13	1	22.4	47.4	16.5	7/8"	1/2"	253	227	19.2	119-8312 119-9312
														14.3	119-8313 119-9326
HNXM0250	G8	2825	1.1	18	13	1	22.4	47.4	16.5	7/8"	1/2"	253	227	26.8	119-8312 119-9312
														18.6	119-8313 119-9326
HNXM0300	G8	2825	1.1	18	13	1	22.4	47.4	16.5	7/8"	1/2"	253	227	28.7	119-8312 119-9312
														19	119-8313 119-9326
HNXM0350	J8	3700	2.8	18	17.5	1	28.2	47.4	16.5	7/8"	1/2"	300	271	35.5	119-8312 119-9312
														22.7	119-8313 119-9326
HNXM0400	J8	3700	2.8	18	17.5	1	28.2	47.4	16.5	7/8"	1/2"	300	271	41.8	119-8312 119-9312
														26.6	119-8313 119-9326

⁽¹⁾ Dimensions (in) available on page 70
⁽²⁾ Wiring diagram available on pages 67
 For spare parts, see pages 65

Fan	Model no	Version	Electrical code	Code no	Compressor model	Amb. temp.	Capacity range in (btu/hr) at evaporating temperature							Power consumption [W] at evap. temp. 25° F	Power consumption [W] at evap. temp. 20° F	AWEF*
						°F	10	15	20	25	30	35	40			
Two fan	HNXM0500	WG	N	114N3497	MLZ38	90	20530	23340	26340	29530	32930	36540	40390	3582	3530	8.44
			Q	114N3498		95	19880	22620	25540	28660	31990	35530	39300			
		WK	N	114N3587		100	19210	21880	24730	27770	31020	34480	38170			
			Q	114N3588		110	-	20370	23050	25920	29000	32280	35790			
			115	-		19620	22200	24980	27950	31140	34540					
	HRXM0600	WG	Q	114N3499	MLZ45	90	25440	28790	32430	36360	40560	45040	49790	4095	4030	9.73
						95	24570	27840	31390	35210	39310	43680	48300			
		100	23680			26860	30310	34040	38030	42280	46770					
		110	-			24830	28090	31610	35380	39390	43630					
		115	-			23800	26960	30370	34020	37910	42030					
		WG	R	114N3519	MLZ45	90	25360	28690	32310	36220	40400	44840	49550	3666	3601	10.43
						95	24490	27740	31270	35070	39140	43470	48060			
						100	23590	26760	30190	33890	37860	42070	46530			
						110	-	24730	27970	31460	35200	39180	43390			
						115	-	23700	26840	30220	33850	37700	41780			
	HRXM0700	WG	Q	114N3500	MLZ48	90	26930	30440	34250	38340	42720	47380	52310	4157	4082	9.76
						95	26040	29450	33160	37150	41410	45950	50750			
		100	25120			28440	32050	35930	40070	44490	49160					
		110	-			26370	29750	33410	37320	41480	45880					
		115	-			25310	28590	32120	35910	39940	44210					
		WG	R	114N3520	MLZ48	90	26850	30340	34120	38190	42540	47160	52050	3902	3825	10.42
						95	25950	29350	33030	37000	41230	45730	50490			
						100	25030	28340	31920	35770	39890	44270	48900			
						110	-	26260	29620	33250	37130	41260	45620			
						115	-	25200	28460	31970	35720	39720	43950			
	HRXM0750	WG	Q	114N3501	MLZ58	90	32660	36870	41410	46290	51500	57050	62950	5031	4935	9.66
						95	31670	35770	40190	44940	50020	55440	61200			
		100	30690			34660	38950	43570	48520	53800	59400					
110		-	32410			36430	40770	45430	50410	55700						
115		-	31280			35150	39340	43850	48670	53800						
WG		R	114N3521	MLZ58	90	32600	36800	41330	46190	51380	56910	62790	5222	5125	9.31	
					95	31620	35700	40110	44840	49910	55300	61030				
					100	30630	34590	38870	43470	48400	53650	59240				
					110	-	32350	36350	40670	45310	50260	55530				
					115	-	31210	35070	39240	43730	48520	53630				
HRXM1000	WG	Q	114N3502	MLZ76	90	41830	47000	52650	58760	65320	72310	79710	6361	6222	9.8	
					95	40540	45600	51120	57090	63490	70290	77490				
	100	39210			44160	49550	55380	61610	68230	75220						
	110	-			41150	46280	51800	57700	63950	70540						
	115	-			39580	44580	49950	55680	61750	68130						
	WG	R	114N3522	MLZ76	90	41740	46890	52510	58600	65130	72080	79430	6565	6423	9.49	
					95	40450	45490	50990	56930	63290	70060	77210				
					100	39120	44040	49410	55210	61410	67990	74940				
					110	-	41020	46130	51630	57500	63710	70250				
					115	-	39450	44430	49780	55470	61500	67840				

Test condition

Return gas temperature 65°F
Subcooling 5°F

Electrical code

N: Compressor & fan(s) 230V, 1 ph, 60 Hz
Q: Compressor 208-230V, 3ph, 60 Hz & Fan(s) 230V, 1ph, 60 Hz
R: Compressor 420-460V, 3ph, 60 Hz & Fan(s) 460V, 1ph, 60Hz

Version

WG: Electrical box, Receiver, Dual pressure control, Fan speed controller or Fan cycling, Defrost Timer, Outdoor enclosure (MBP)
WK: WG + Low Ambient Kit

HP rating in hundredths of HP, i.e.: 033=1/3hp, (UCGC0100U:0100=1hp)

Power consumption referred at 90°F ambient temperature

*This refrigeration system is designed and certified for use in walk-in cooler applications

Performance data is based on fan full speed

All Optyma Slim Condensing units are UL Listed

Model no	Condenser coil			Condenser fan Fan blade Ø (in)	Receiver volume [Lbs]	Dimensions (in) ⁽¹⁾						Weight (lbs)		MCA (A)	Wiring diagram code ⁽²⁾
	Type	Air flow [CFM]	Int. volume [lbs]			Figure	Height H (in)	Width W (in)	Depth D (in)	Suction line	Liquid line	Gross	Net		
HNXM0500	N8	5180	3.7	18	22	2	28.8	49.4	31.5	7/8"	1/2"	400	367	50.4	119-8312 119-9312
														33.3	119-8313 119-9326
HRXM0600	N8	5180	3.7	18	22	2	28.8	49.4	31.5	7/8"	1/2"	400	367	39.2	119-8313 119-9312
														15	119-8640 119-9326
HRXM0700	N8	5180	3.7	18	22	2	28.8	49.4	31.5	7/8"	1/2"	400	367	42.2	119-8313 119-9312
														16	119-8640 119-9326
HRXM0750	Q8	8230	5.4	24	30	2	39.1	61.2	31.5	1 1/8"	5/8"	630	594	50.7	119-8313 119-9312
														20	119-8640 119-9326
HRXM1000	Q8	8230	5.4	24	30	2	39.1	61.2	31.5	1 1/8"	5/8"	630	594	65.1	119-8313 119-9312
														28	119-8640 119-9326

⁽¹⁾ Dimensions (in) available on page 70
⁽²⁾ Wiring diagram available on pages 67
 For spare parts, see pages 65

Fan	Model no	Version	Electrical code	Code no	Compressor model	Amb. temp.	Capacity range in (btu/hr) at evaporating temperature							Power consumption [W] at evap. temp. 25 °F	Power consumption [W] at evap. temp. 20 °F	AWEF*
						°F	10	15	20	25	30	35	40			
Single fan	HJZM0150	WG	N	114N3485	MTZ18	90	9048	10350	11676	13124	14644	16232	17847	2002	1935	7.85
				114N3486		95	8504	9749	11017	12399	13848	15363	16904			
		WK	N	114N3575		100	7957	9146	10355	11672	13052	14492	15960			
				114N3576		110	-	8138	9249	10458	11723	13042	14388			
				114N3576		115	-	7532	8585	9730	10927	12175	13449			
	HNXM0200	WG	N	114N3487	MLZ15	90	14640	16250	17950	19740	21590	23520	25490	2359	2337	10.06 10.04
				114N3488		95	13970	15520	17150	18870	20650	22490	24380			
		WK	N	114N3577		100	13290	14780	16340	17990	19700	21460	23260			
				114N3578		110	-	13240	14680	16180	17750	19350	20990			
				114N3578		115	-	12440	13820	15260	16750	18280	19850			
	HNXM0250	WG	N	114N3489	MLZ19	90	19080	20970	22970	25090	27320	29670	32130	2973	2933	10.04 10.30
				114N3490		95	18290	20100	22020	24040	26180	28430	30800			
		WK	N	114N3581		100	17490	19210	21040	22980	25030	27180	29450			
				114N3582		110	-	17390	19050	20810	22670	24640	26710			
				114N3582		115	-	16450	18020	19690	21470	23340	25320			
	HNXM0300	WG	N	114N3491	MLZ21	90	20150	22110	24190	26400	28730	31190	33790	3187	3136	9.92 10.27
				114N3492		95	19300	21180	23180	25290	27530	29890	32390			
		WK	N	114N3579		100	18420	20220	22140	24160	26310	28580	30970			
				114N3580		110	-	18230	19980	21840	23800	25890	28090			
				114N3580		115	-	17190	18860	20630	22510	24510	26630			
	HNXM0350	WG	N	114N3493	MLZ26	90	25330	27850	30510	33300	36230	39270	42440	3829	3774	10.33 10.58
				114N3494		95	24270	26680	29230	31910	34720	37640	40680			
		WK	N	114N3583		100	23170	25480	27930	30490	33180	35980	38900			
				114N3584		110	-	22980	25210	27560	30020	32580	35250			
114N3584				115		-	21670	23800	26040	28390	30840	33400				
HNXM0400	WG	N	114N3495	MLZ30	90	28880	31820	34900	38120	41480	44960	48570	4596	4507	9.62 10.51	
			114N3496		95	27590	30400	33360	36450	39660	43010	46470				
	WK	N	114N3585		100	26270	28960	31790	34740	37820	41020	44340				
			114N3586		110	-	25990	28570	31250	34060	36970	40000				
			114N3586		115	-	24470	26910	29470	32140	34920	37800				

Test condition

Return gas temperature 65°F
Subcooling 5°F

Electrical code

N: Compressor & fan(s) 230V, 1 ph, 60 Hz
Q: Compressor 208-230V, 3ph, 60 Hz
Fan(s) 230V, 1ph, 60 Hz

Version

WG: Electrical box, Receiver, Dual pressure control, Fan speed controller or Fan cycling, Defrost Timer, Outdoor enclosure (MBP)
WK: WG + Low Ambient Kit

HP rating in hundredths of HP, i.e.: 033=1/3hp, (UCGC0100U:0100=1hp)

Power consumption referred at 90°F ambient temperature

*This refrigeration system is designed and certified for use in walk-in cooler applications
Performance data is based on fan full speed

All Optyma Slim Condensing units are UL Listed

Model no	Condenser coil			Condenser fan	Receiver volume [Lbs]	Dimensions (in) ⁽¹⁾						Weight (lbs)		MCA (A)	Wiring diagram code ⁽²⁾
	Type	Air flow [CFM]	Int. volume [lbs]	Fan blade Ø (in)		Figure	Height H (in)	Width W (in)	Depth D (in)	Suction line	Liquid line	Gross	Net		
HJZM0150	D8	1410	0.9	14	6.5	1	19.5	43.5	13.4	5/8"	3/8"	176	156	12.6	119-8312 119-9313
														9.04	119-8315 119-9327
HNXM0200	G8	2825	1.1	18	13	1	22.4	47.4	16.5	7/8"	1/2"	253	227	19.2	119-8312 119-9312
														14.3	119-8313 119-9326
HNXM0250	G8	2825	1.1	18	13	1	22.4	47.4	16.5	7/8"	1/2"	253	227	26.8	119-8312 119-9312
														18.6	119-8313 119-9326
HNXM0300	G8	2825	1.1	18	13	1	22.4	47.4	16.5	7/8"	1/2"	253	227	28.7	119-8312 119-9312
														19	119-8313 119-9326
HNXM0350	J8	3700	2.8	18	17.5	1	28.2	47.4	16.5	7/8"	1/2"	300	271	35.5	119-8312 119-9312
														22.7	119-8313 119-9326
HNXM0400	J8	3700	2.8	18	17.5	1	28.2	47.4	16.5	7/8"	1/2"	300	271	41.8	119-8312 119-9312
														26.6	119-8313 119-9326

⁽¹⁾ Dimensions (in) available on page 70
⁽²⁾ Wiring diagram available on pages 67
 For spare parts, see pages 65

Fan	Model no	Version	Electrical code	Code no	Compressor model	Amb. temp.	Capacity range in (btu/hr) at evaporating temperature						Power consumption [W] at evap. temp. 25 F	Power consumption [W] at evap. temp. 20 F	AWEF*	
						°F	10	15	20	25	30	35				40
Two fan	HRXM0500	WG	N	114N3497	MLZ38	90	35730	39530	43530	47720	52110	56690	61440	5430	5336	9.64
						95	34120	37770	41630	45690	49930	54360	58960			
		WK	N	114N3587	100	32480	35990	39700	43610	47700	51970	56420				
					110	-	32350	35750	39340	43110	47060	51190				
		HRXM0600	WG	Q	114N3499	MLZ45	90	43050	47300	51790	56540	61520	66740			
	95						41250	45320	49630	54180	58960	63980	69220			
	WK		Q	114N3589	100	39410	43310	47430	51780	56360	61170	66200				
					110	-	39140	42890	46860	51040	55430	60040				
	HRXM0700		WG	R	114N3519	MLZ45	90	42760	46970	51400	56080	60990	66130	71500	6047	5960
		95					40970	44990	49240	53720	58430	63360	68520			
		WK	R	114N3520	MLZ48	100	39130	42970	47040	51330	55830	60560	65500			
						110	-	38790	42490	46400	50510	54830	59350			
		HRXM0750	WG	Q	114N3500	MLZ48	90	46560	51140	55980	61060	66380	71930	77700		
	95						44590	48980	53610	58470	63570	68890	74420			
	WK		Q	114N3591	MLZ48	100	42570	46760	51180	55830	60700	65790	71080			
						110	-	42140	46150	50360	54790	59420	64250			
	HRXM1000		WG	Q	114N3502	MLZ76	90	72760	79770	87190	95020	103300	111900	120900	10580	10380
		95					69610	76280	83330	90760	98580	106800	115400			
		WK	Q	114N3593	MLZ76	100	66390	72700	79370	86410	93800	101600	109700			
						110	-	65300	71210	77440	84000	90890	98100			
		HRXM1050	WG	R	114N3522	MLZ76	90	72440	79400	86750	94500	102600	111200	120100		
	95						69300	75900	82880	90230	97960	106100	114500			
	WK		R	114N3522	MLZ76	100	66070	72330	78930	85880	93190	100900	108900			
						110	-	64910	70760	76920	83390	90190	97300			
	115		-	61080	66550	72310	78370	84730	91400							

Test condition

Return gas temperature 65°F
Subcooling 5°F

Electrical code

N: Compressor & fan(s) 230V, 1 ph, 60 Hz
Q: Compressor 208-230V, 3ph, 60 Hz & Fan(s) 230V, 1ph, 60 Hz
R: Compressor 420-460V, 3ph, 60 Hz & Fan(s) 460V, 1ph, 60Hz

Version

WG: Electrical box, Receiver, Dual pressure control, Fan speed controller or Fan cycling, Defrost Timer, Outdoor enclosure (MBP)
WK: WG + Low Ambient Kit

HP rating in hundredths of HP, i.e.: 033=1/3hp, (UCGC0100U:0100=1hp)
Power consumption referred at 90°F ambient temperature
*This refrigeration system is designed and certified for use in walk-in cooler applications
Performance data is based on fan full speed
All Optyma Slim Condensing units are UL Listed

Model no	Condenser coil			Condenser fan	Receiver volume [Lbs]	Dimensions (in) ⁽¹⁾						Weight (lbs)		MCA (A)	Wiring diagram code ⁽²⁾
	Type	Air flow [CFM]	Int. volume [lbs]	Fan blade Ø (in)		Figure	Height H (in)	Width W (in)	Depth D (in)	Suction line	Liquid line	Gross	Net		
HRXM0500	N8	5180	3.7	18	22	2	28.8	49.4	31.5	7/8"	1/2"	400	367	50.4	119-8312 119-9312
														33.3	119-8313 119-9326
HRXM0600	N8	5180	3.7	18	22	2	28.8	49.4	31.5	7/8"	1/2"	400	367	39.2	119-8313 119-9312
														15	119-8640 119-9326
HRXM0700	N8	5180	3.7	18	22	2	28.8	49.4	31.5	7/8"	1/2"	400	367	42.2	119-8313 119-9312
														16	119-8640 119-9326
HRXM0750	Q8	8230	5.4	24	30	2	39.1	61.2	31.5	1 1/8"	5/8"	630	594	50.7	119-8313 119-9312
														20	119-8640 119-9326
HRXM1000	Q8	8230	5.4	24	30	2	39.1	61.2	31.5	1 1/8"	5/8"	630	594	65.1	119-8313 119-9312
														28	119-8640 119-9326

⁽¹⁾ Dimensions (in) available on page 70
⁽²⁾ Wiring diagram available on pages 67
For spare parts, see pages 65

Fan	Model no	Version	Electrical code	Code no	Compressor model	Amb. temp.	Capacity range in (btu/hr) at evaporating temperature							Power consumption [W] at evap. temp. 25 F	Power consumption [W] at evap. temp. 20 F	AWEF*
						°F	10	15	20	25	30	35	40			
Single fan	HJZM0150	WG	N Q	114N3485 114N3486	MTZ18	90	8675	9829	11050	12340	13690	15100	16570	1875	1801	8.09
						95	8167	9269	10440	11660	12950	14290	15690			
		100	7662	8712		9822	10990	12210	13490	14820						
		110	-	7606		8606	9658	10760	11910	13100						
	HNXM0200	WG	N Q	114N3487 114N3488	MLZ15	90	14020	15500	17070	18730	20490	22340	24290	2481	2442	8.69 8.98
						95	13490	14900	16400	18000	19680	21450	23310			
		100	12930	14280		15720	17240	18850	20540	22320						
		110	-	13000		14300	15670	17120	18660	20270						
	HNXM0250	WG	N Q	114N3489 114N3490	MLZ19	90	17940	19830	21830	23940	26150	28470	30900	3087	3032	9.06 9.23
						95	17220	19030	20940	22960	25080	27300	29620			
		100	16470	18210		20030	21960	23980	26100	28320						
		110	-	16500		18150	19890	21720	23640	25650						
	HNXM0300	WG	N Q	114N3491 114N3492	MLZ21	90	18820	20800	22890	25100	27430	29870	32420	3237	3177	9.06 9.28
						95	18050	19940	21940	24060	26280	28620	31070			
		100	17250	19060		20970	22990	25110	27340	29680						
		110	-	17220		18940	20770	22690	24710	26840						
	HNXM0350	WG	N Q	114N3493 114N3494	MLZ26	90	23480	25980	28640	31450	34410	37530	40790	3855	3779	9.56 9.76
						95	22490	24900	27450	30150	32990	35980	39120			
		100	21490	23800		26240	28830	31550	34420	37430						
		110	-	21530		23760	26110	28600	31230	33980						
	HNXM0400	WG	N Q	114N3495 114N3496	MLZ30	90	27420	30250	33240	36400	39720	43200	46830	4572	4466	9.35 9.80
						95	26330	29040	31900	34920	38100	41430	44910			
		100	25210	27800		30530	33410	36440	39620	42950						
		110	-	25210		27670	30280	33020	35910	38940						
115	WG	N Q	114N3575 114N3576	MLZ15	115	-	7059	8005	8999	10040	11120	12250	2481	2442	8.69 8.98	
					115	-	15620	17190	18830	20560	22380	24290				

Test condition

Return gas temperature 65°F
Subcooling 5°F

Electrical code

N: Compressor & fan(s) 230V, 1 ph, 60 Hz
Q: Compressor 208-230V, 3ph, 60 Hz & Fan(s) 230V, 1ph, 60 Hz

Version

WG: Electrical box, Receiver, Dual pressure control, Fan speed controller or Fan cycling, Defrost Timer, Outdoor enclosure (MBP)
WK: WG + Low Ambient Kit

HP rating in hundredths of HP, ie.: 033=1/3hp, (UCGC0100U:0100=1hp)
Power consumption referred at 90°F ambient temperature
*This refrigeration system is designed and certified for use in walk-in cooler applications
Performance data is based on fan full speed
All Optyma Slim Condensing units are UL Listed

Model no	Condenser coil			Condenser fan Fan blade Ø (in)	Receiver volume [Lbs]	Dimensions (in) ⁽¹⁾						Weight (lbs)		MCA (A)	Wiring diagram code ⁽²⁾
	Type	Air flow [CFM]	Int. volume [lbs]			Figure	Height H (in)	Width W (in)	Depth D (in)	Suction line	Liquid line	Gross	Net		
HJZM0150	D8	1410	0.9	14	6.5	1	19.5	43.5	13.4	5/8"	3/8"	176	156	12.6	119-8312 119-9313
														9.04	119-8315 119-9327
HNXM0200	G8	2825	1.1	18	13	1	22.4	47.4	16.5	7/8"	1/2"	253	227	19.2	119-8312 119-9312
														14.3	119-8313 119-9326
HNXM0250	G8	2825	1.1	18	13	1	22.4	47.4	16.5	7/8"	1/2"	253	227	26.8	119-8312 119-9312
														18.6	119-8313 119-9326
HNXM0300	G8	2825	1.1	18	13	1	22.4	47.4	16.5	7/8"	1/2"	253	227	28.7	119-8312 119-9312
														19	119-8313 119-9326
HNXM0350	J8	3700	2.8	18	17.5	1	28.2	47.4	16.5	7/8"	1/2"	300	271	35.5	119-8312 119-9312
														22.7	119-8313 119-9326
HNXM0400	J8	3700	2.8	18	17.5	1	28.2	47.4	16.5	7/8"	1/2"	300	271	41.8	119-8312 119-9312
														26.6	119-8313 119-9326

⁽¹⁾ Dimensions (in) available on page 70

⁽²⁾ Wiring diagram available on pages 67
 For spare parts, see pages 65

Fan	Model no	Version	Electrical code	Code no	Compressor model	Amb. temp.	Capacity range in (btu/hr) at evaporating temperature						Power consumption [W] at evap. temp. 25 F	Power consumption [W] at evap. temp. 20 F	AWEF*		
						°F	10	15	20	25	30	35				40	
Two fan	HRXM0500	WG	N	114N3497	MLZ38	90	33490	37040	40820	44840	49100	53590	58330	5617	5514	9.14	
						95	32190	35580	39210	43050	47130	51440	55980				
		WK	Q	114N3498		100	30850	34100	37560	41230	45130	49240	53580				
						110	-	31020	34150	37470	41000	44740	48690				
		115	-	29440		32390	35540	38890	42440	46190							
	HRXM0600	WG	Q	114N3499	MLZ45	90	40810	44950	49360	54040	58980	64190	69670	6647	6484	9.53	
						95	39180	43130	47340	51800	56510	61490	66730				
			WK	Q		114N3589	100	37520	41280	45270	49520	54010	58750				63750
							110	-	37480	41060	44860	48890	53170				57680
			115	-		35540	38900	42480	46290	50330	54610						
		WG	R	114N3519	MLZ45	90	40670	44780	49150	53780	58670	63820	69230	6411	6246	9.89	
						95	39040	42950	47120	51540	56200	61120	66290				
						100	37380	41100	45060	49260	53700	58380	63310				
						110	-	37290	40830	44580	48560	52770	57220				
	115	-	35340	38660	42190	45940	49910	54110									
	HRXM0700	WG	Q	114N3500	MLZ48	90	44500	49090	53970	59130	64580	70310	76320	7246	7086	9.81	
						95	42630	47020	51680	56620	61830	67320	73080				
			WK	Q		114N3591	100	40720	44900	49350	54050	59030	64270				69780
							110	-	40550	44550	48790	53280	58030				63050
			115	-		38330	42090	46100	50350	54860	59620						
		WG	R	114N3520	MLZ48	90	44160	48690	53480	58560	63900	69510	75390	7060	6892	10.07	
						95	42290	46610	51190	56040	61150	66520	72150				
						100	40380	44490	48850	53470	58340	63470	68850				
						110	-	40130	44040	48180	52570	57200	62070				
						115	-	37880	41560	45470	49610	53990	58610				
	HRXM0750	WG	Q	114N3501	MLZ58	90	53900	59650	65770	72280	79180	86470	94150	8415	8255	10.3	
						95	51680	57210	63090	69350	75980	82990	90380				
			WK	Q		114N3592	100	49420	54710	60350	66340	72700	79430				86520
							110	-	49540	54670	60140	65940	72090				78600
			115	-		46880	51750	56940	62470	68330	74550						
		WG	R	114N3521	MLZ58	90	53730	59450	65540	72000	78850	86080	93690	8241	8080	10	
						95	51520	57010	62860	69070	75640	82590	89920				
						100	49250	54510	60110	66060	72370	79030	86060				
						110	-	49340	54430	59840	65590	71680	78110				
						115	-	46660	51490	56630	62100	67890	74030				
	HRXM1000	WG	Q	114N3502	MLZ76	90	67150	74200	81650	89500	97760	106400	115500	10420	10220	9.95	
95						64380	71130	78270	85800	93710	102000	110700					
WK			Q	114N3593		100	61540	68000	74820	82020	89590	97530	105800				
						110	-	61520	67700	74220	81090	88310	95890				
115			-	58180		64040	70220	76740	83600	90810							
WG		R	114N3522	MLZ76	90	66860	73850	81230	89000	97170	105700	114600	10680	10470	9.69		
					95	64080	70780	77850	85300	93120	101300	109900					
					100	61240	67640	74400	81510	88990	96820	105000					
					110	-	61140	67250	73680	80460	87560	95010					
					115	-	57790	63560	69650	76070	82810	89880					

Test condition
 Return gas temperature 65°F
 Subcooling 5°F

Electrical code
N: Compressor & fan(s) 230V, 1 ph, 60 Hz
Q: Compressor 208-230V, 3ph, 60 Hz & Fan(s) 230V, 1ph, 60 Hz
R: Compressor 420-460V, 3ph, 60 Hz & Fan(s) 460V, 1ph, 60Hz

Version
WG: Electrical box, Receiver, Dual pressure control, Fan speed controller or Fan cycling, Defrost Timer, Outdoor enclosure (MBP)
WK: WG + Low Ambient Kit

HP rating in hundredths of HP, ie.: 033=1/3hp, (UCGC0100U:0100=1hp)
 Power consumption referred at 90°F ambient temperature
 *This refrigeration system is designed and certified for use in walk-in cooler applications
 Performance data is based on fan full speed

All Optyma Slim Condensing units are UL Listed

Model no	Condenser coil			Condenser fan	Receiver volume [Lbs]	Dimensions (in) ⁽¹⁾						Weight (lbs)		MCA (A)	Wiring diagram code ⁽²⁾
	Type	Air flow [CFM]	Int. volume [lbs]	Fan blade Ø (in)		Figure	Height H (in)	Width W (in)	Depth D (in)	Suction line	Liquid line	Gross	Net		
HRXM0500	N8	5180	3.7	18	22	2	28.8	49.4	31.5	7/8"	1/2"	400	367	50.4	119-8312 119-9312
														33.3	119-8313 119-9326
HRXM0600	N8	5180	3.7	18	22	2	28.8	49.4	31.5	7/8"	1/2"	400	367	39.2	119-8313 119-9312
														15	119-8640 119-9326
HRXM0700	N8	5180	3.7	18	22	2	28.8	49.4	31.5	7/8"	1/2"	400	367	42.2	119-8313 119-9312
														16	119-8640 119-9326
HRXM0750	Q8	8230	5.4	24	30	2	39.1	61.2	31.5	1 1/8"	5/8"	630	594	50.7	119-8313 119-9312
														20	119-8640 119-9326
HRXM1000	Q8	8230	5.4	24	30	2	39.1	61.2	31.5	1 1/8"	5/8"	630	594	65.1	119-8313 119-9312
														28	119-8640 119-9326

⁽¹⁾ Dimensions (in) available on page 70
⁽²⁾ Wiring diagram available on pages 67
 For spare parts, see pages 65

	Model no	Version	Electrical code	Code no	Compressor model	Amb. temp.	Capacity range in (btu/hr) at evaporating temperature							Power consumption [W] at evap. temp. -20 F	Power consumption [W] at evap. temp. -10 F	AWEF*	
						°F	-25	-20	-15	-10	-5	0	5				10
Single fan	LNYM0400	WH	Q	114N3652	LLZ013	90	11030	12470	14030	15720	17550	19500	21590	23820	3268	3563	3.41
						95	-	12090	13590	15220	16970	18850	20850	22980			
		100	-	-		13140	14700	16380	18180	20100	22140						
		105	-	-		-	14170	15770	17490	19330	21270						
		110	-	-		-	-	15150	16790	18540	20400						
	LNYM0500	WH	Q	114N3653	LLZ015	90	13550	15280	17170	19210	21420	23800	26350	29070	3981	4297	3.48
						95	-	14850	16660	18620	20730	23000	25430	28020			
		100	-	-		16140	18010	20020	22180	24500	26960						
		105	-	-		-	17380	19300	21350	23550	25890						
		110	-	-		-	-	18550	20500	22580	24790						
	LNYM0600	WH	Q	114N3654	LLZ018	90	15080	17030	19150	21440	23920	26570	29400	32420	4954	5385	3.26
						95	-	16410	18440	20630	22990	25520	28220	31090			
		100	-	-		17700	19780	22030	24440	27010	29740						
		105	-	-		-	18900	21030	23320	25750	28340						
		110	-	-		-	-	19990	22150	24450	26890						
Two fan	LRYM0800	WH	Q	114N3655	LLZ024	90	20000	22510	25230	28170	31330	34730	38350	42200	5683	6222	3.39
						95	-	21860	24480	27310	30340	33590	37060	40750			
		100	-	-		23700	26410	29320	32430	35750	39270						
		105	-	-		-	25470	28250	31220	34390	37750						
		-	-	-		-	-	27140	29970	32980	36180						

Test condition

Return gas temperature 40°F
Subcooling 5°F

Electrical code

N: Compressor & fan(s) 230V, 1 ph, 60 Hz
Q: Compressor 208-230V, 3ph, 60 Hz & Fan(s) 230V, 1ph, 60 Hz
R: Compressor 420-460V, 3ph, 60 Hz & Fan(s) 460V, 1ph, 60Hz

Version

WH: Electrical box, Receiver, Dual pressure control, Fan speed controller or Fan cycling, Defrost Timer, Outdoor enclosure, Suction Accumulator (LBP)
WL: WH+Low Ambient Kit

HP rating in hundredths of HP, ie.: 033=1/3hp, (UCGC0100U:0100=1hp)
Power consumption referred at 90°F ambient temperature
Performance data is based on fan full speed

All Optyma Slim Condensing units are UL Listed

Model no	Condenser coil			Condenser fan	Receiver volume [Lbs]	Dimensions (in) ⁽¹⁾						Weight (lbs)		MCA (A)	Wiring diagram code ⁽²⁾
	Type	Air flow [CFM]	Int. volume [lbs]	Fan blade Ø (in)		Figure	Height H (in)	Width W (in)	Depth D (in)	Suction line (in)	Liquid line (in)	Gross	Net		
LN YM0400	J8	3590	2.8	18	17.5	1	28.2	47.4	16.5	7/8"	1/2"	295	266	24.3	119-9123 119-9314
LN YM0500	J8	3590	2.8	18	17.5	1	28.2	47.4	16.5	7/8"	1/2"	295	266	25.1	119-9123 119-9314
LN YM0600	J8	3590	2.8	18	17.5	1	28.2	47.4	16.5	7/8"	1/2"	295	266	28.9	119-9123 119-9314
LR YM0800	N8	5026	3.7	18	22	2	28.8	49.4	31.5	1 1/8"	1/2"	442	409	35.9	119-9123 119-9314

⁽¹⁾ Dimensions (in) available on page 70
⁽²⁾ Wiring diagram available on pages 67
 For spare parts, see pages 65

Fan	Model no	Version	Electrical code	Code no	Compressor model	Amb. temp.	Capacity range in (btu/hr) at evaporating temperature								Power consumption [W] at evap. temp. -20 F	Power consumption [W] at evap. temp. -10 F	AWEF*
						°F	-25	-20	-15	-10	-5	0	5	10			
Single fan	LJHM0150	WH	N Q	114N3508 114N3509	NTZ048	90	5545	6509	7537	8627	9776	10980	12240	13550	1552	1840	3.87 3.65
						95	-	6092	7069	8104	9193	10340	11530	12770			
						100	-	5676	6603	7582	8612	9691	10820	11990			
						105	-	-	6138	7063	8034	9050	10110	11210			
						110	-	-	-	6547	7460	8413	9404	10430			
	LJHM0200	WH	N Q	114N3518 114N3511	NTZ068	90	7671	8785	9994	11300	12700	14190	15770	17430	2234	2588	4.10 3.91
						95	-	8211	9358	10600	11930	13350	14850	16430			
						100	-	7661	8746	9920	11180	12530	13950	15460			
						105	-	-	8159	9267	10460	11730	13090	14510			
						110	-	-	-	8638	9761	10960	12240	13590			
	LNYM0400	WH	Q	114N3652	LLZ013	90	13650	15330	17130	19030	21050	23190	25440	27810	3405	3672	3.81
						95	-	14750	16460	18280	20200	22230	24370	26610			
		WL	Q	114N3594	100	-	-	15780	17510	19330	21250	23270	25390				
					105	-	-	-	16720	18440	20250	22160	24150				
					110	-	-	-	-	17530	19230	21020	22880				
	LNYM0500	WH	Q	114N3653 114N3595	LLZ015	90	16480	18500	20670	23000	25500	28160	30980	33960	4082	4462	3.77
						95	-	17780	19850	22070	24440	26970	29650	32480			
						100	-	-	19010	21120	23370	25760	28300	30980			
						105	-	-	-	20150	22280	24540	26930	29460			
						110	-	-	-	-	21160	23290	25540	27920			
LNYM0600	WH	Q	114N3654 114N3596	LLZ018	90	19340	21670	24170	26840	29690	32710	35890	39240	5064	5513	3.53	
					95	-	20810	23190	25730	28440	31300	34320	37490				
					100	-	-	22200	24600	27160	29870	32720	35720				
					105	-	-	-	23450	25860	28410	31100	33920				
					110	-	-	-	-	24540	26930	29450	32100				
Two fan	LRYM0600	WH	R	114N3523	LLZ018	90	19970	22450	25140	28050	31170	34520	38470	42790	4713	5124	3.84
						95	-	21600	24170	26940	29920	33110	36500	40150			
						100	-	-	23180	25820	28650	31670	34890	38360			
						110	-	-	-	-	26030	28740	31640	34750			
						115	-	-	-	-	-	27230	29900	32680			
	LRYM0800	WH	Q	114N3655	LLZ024	90	24780	27840	31150	34720	38560	42650	47010	51640	5852	6360	3.76
						95	-	26780	29940	33350	37000	40890	45040	49440			
		WL	Q	114N3597	100	-	-	28710	31950	35410	39110	43040	47210				
					105	-	-	-	30510	33800	37300	41020	44960				
					110	-	-	-	-	32150	35450	38960	42670				
	LRYM0800	WH	R	114N3524	LLZ024	90	24600	27620	30880	34380	38130	42140	46120	50180	5644	6163	3.86
						95	-	26560	29670	33000	36580	40380	44320	48320			
						100	-	-	28430	31600	34990	38600	42490	46440			
						110	-	-	-	-	31730	34940	38420	41960			
						115	-	-	-	-	-	33060	36690	40360			

Test condition

Return gas temperature 40°F
Subcooling 5°F

Electrical code

N: Compressor & fan(s) 230V, 1 ph, 60 Hz
Q: Compressor 208-230V, 3ph, 60 Hz & Fan(s) 230V, 1ph, 60 Hz
R: Compressor 420-460V, 3ph, 60 Hz & Fan(s) 460V, 1ph, 60Hz

Version

WH: BX, Receiver, Dual pressure control, Fan speed controller or Fan cycling, Defrost Timer, Outdoor enclosure, Suction Accumulator (LBP)
WL: WH+Low Ambient Kit

HP rating in hundredths of HP, i.e.: 033=1/3hp, (UCGC0100U:0100=1hp)
Power consumption referred at 90°F ambient temperature
Performance data is based on fan full speed

All Optyma Slim Condensing units are UL Listed

Model no	Condenser coil			Condenser fan	Receiver volume [Lbs]	Dimensions (in) ⁽¹⁾						Weight (lbs)		MCA (A)	Wiring diagram code ⁽²⁾
	Type	Air flow [CFM]	Int. volume [lbs]	Fan blade Ø (in)		Figure	Height H (in)	Width W (in)	Depth D (in)	Suction line	Liquid line	Gross	Net		
LJHM0150	D8	1410	0.9	14	6.5	1	19.5	43.5	13.4	5/8"	3/8"	187	167	12.8	119-8312 119-9313
														10	119-8315 119-9327
LJHM0200	D8	1410	0.9	14	6.5	1	19.5	43.5	13.4	5/8"	3/8"	187	167	19.8	119-8312 119-9313
														14.2	119-8315 119-9327
LNYM0400	J8	3590	2.8	18	17.5	1	28.2	47.4	16.5	7/8"	1/2"	295	266	24.3	119-9123 119-9314
LNYM0500	J8	3590	2.8	18	17.5	1	28.2	47.4	16.5	7/8"	1/2"	295	266	25.1	119-9123 119-9314
LNYM0600	J8	3590	2.8	18	17.5	1	28.2	47.4	16.5	7/8"	1/2"	295	266	28.9	119-9123 119-9314
LRYM0600	N8	5180	3.7	18	22	2	28.8	49.4	31.5	1 1/8"	1/2"	442	409	35.9	119-8641
			5026											35.9	119-9123 119-9314
LRYM0800	N8		3.7	18	22	2	28.8	49.4	31.5	1 1/8"	1/2"	442	409		
		5180												40.0	119-8641

⁽¹⁾ Dimensions (in) available on page 70

⁽²⁾ Wiring diagram available on pages 67
 For spare parts, see pages 65

Fan	Model no	Version	Electrical code	Code no	Compressor model	Amb. temp.	Capacity range in (btu/hr) at evaporating temperature						Power consumption [W] at evap. temp. -20 F	Power consumption [W] at evap. temp. -10 F	AWEF*
						°F	-25	-20	-15	-10	-5	0			
Single fan	LJHM0150	WH	N	114N3508 114N3509	NTZ048	90	-	6103	7084	8152	9300	10520	1569	1847	3.71 3.70
						95	-	-	6653	7663	8750	9906			
						100	-	-	-	7174	8199	9290			
						110	-	-	-	-	7098	8058			
						115	-	-	-	-	-	7445			
	LJHM0200	WH	N	114N3518 114N3511	NTZ068	90	-	8460	9798	11200	12640	14120	2341	2668	3.29 3.58
						95	-	-	9220	10550	11920	13320			
						100	-	-	-	9905	11200	12520			
						110	-	-	-	-	9758	10920			
						115	-	-	-	-	-	10120			
	LNYM0400	WH	Q	114N3652	LLZ013	90	-	13370	15000	16750	18620	20620	3426	3736	3.52
						95	-	-	14400	16080	17870	19780			
		WL	Q	114N3594	100	-	-	-	15400	17110	18940				
					110	-	-	-	-	15550	17200				
					115	-	-	-	-	-	16320				
	LNYM0500	WH	Q	114N3653 114N3595	LLZ015	90	-	16540	18510	20630	22900	25320	4070	4464	3.67
						95	-	-	17760	19790	21960	24290			
						100	-	-	-	18940	21020	23240			
						110	-	-	-	-	19090	21100			
						115	-	-	-	-	-	20020			
LNYM0600	WH	Q	114N3654 114N3596	LLZ018	90	-	19180	21420	23820	26370	29090	5069	5572	3.33	
					95	-	-	20570	22860	25300	27890				
					100	-	-	-	21880	24200	26670				
					110	-	-	-	-	21960	24170				
					115	-	-	-	-	-	22900				
Two fan	LRYM0600	WH	R	114N3523	LLZ018	90	-	19700	22070	24610	27350	30280	7007	6775	3.6
						95	-	-	21220	23660	26270	29070			
						100	-	-	-	22680	25180	27850			
						110	-	-	-	-	22930	25340			
						115	-	-	-	-	-	24060			
	LRYM0800	WH	Q	114N3655	LLZ024	90	-	24510	27440	30580	33940	37510	5893	6499	3.48
						95	-	-	26400	29400	32610	36020			
		WL	Q	114N3597	100	-	-	-	28200	31250	34490				
					110	-	-	-	-	28430	31340				
					115	-	-	-	-	-	29710				
	LRYM0800	WH	R	114N3524	LLZ024	90	-	24300	27180	30260	33540	37030	8722	8386	3.58
						95	-	-	26140	29070	32200	35520			
						100	-	-	-	27860	30830	33980			
						110	-	-	-	-	27980	30790			
						115	-	-	-	-	-	29140			

Test condition

Return gas temperature 40°F
Subcooling 5°F

Electrical code

N: Compressor & fan(s) 230V, 1 ph, 60 Hz
Q: Compressor 208-230V, 3ph, 60 Hz & Fan(s) 230V, 1ph, 60 Hz
R: Compressor 420-460V, 3ph, 60 Hz & Fan(s) 460V, 1ph, 60Hz

Version

WH: Electrical box, Receiver, Dual pressure control, Fan speed controller or Fan cycling, Defrost Timer, Outdoor enclosure, Suction Accumulator (LBP)
WL: WH+Low Ambient Kit

HP rating in hundredths of HP, i.e.: 033=1/3hp, (UCGC0100U:0100=1hp)
Power consumption referred at 90°F ambient temperature
Performance data is based on fan full speed

All Optyma Slim Condensing units are UL Listed

Model no	Condenser coil			Condenser fan	Receiver volume [Lbs]	Dimensions (in) ⁽¹⁾						Weight (lbs)		MCA (A)	Wiring diagram code ⁽²⁾
	Type	Air flow [CFM]	Int. volume [lbs]	Fan blade Ø (in)		Figure	Height H (in)	Width W (in)	Depth D (in)	Suction line	Liquid line	Gross	Net		
LJHM0150	D8	1410	0.9	14	6.5	1	19.5	43.5	13.4	5/8"	3/8"	187	167	12.8	119-8312 119-9313
														10	119-8315 119-9327
LJHM0200	D8	1410	0.9	14	6.5	1	19.5	43.5	13.4	5/8"	3/8"	187	167	19.8	119-8312 119-9313
														14.2	119-8315 119-9327
LN YM0400	J8	3700	2.8	18	17.5	1	28.2	47.4	16.5	7/8"	1/2"	295	266	24.3	119-9123 119-9314
LN YM0500	J8	3590	2.8	18	17.5	1	28.2	47.4	16.5	7/8"	1/2"	295	266	25.1	119-9123 119-9314
LN YM0600	J8	3590	2.8	18	17.5	1	28.2	47.4	16.5	7/8"	1/2"	295	266	28.9	119-9123 119-9314
LR YM0600	N8	5180	3.7	18	22	2	28.8	49.4	31.5	1 1/8"	1/2"	442	409	35.9	119-8641
		5026												35.9	119-9123 119-9314
LR YM0800	N8	5180	3.7	18	22	2	28.8	49.4	31.5	1 1/8"	1/2"	442	409	40.0	119-8641

⁽¹⁾ Dimensions (in) available on page 70
⁽²⁾ Wiring diagram available on pages 67
 For spare parts, see pages 65

Spare Parts

Unit	N	Q	R	Compressor					Contactor	Service valve			Oil
				Model no	Code number	Start capacitor	Run Capacitor	Start Relay		Suction	Discharge	Receiver valve	
HJZM0150	114N3485 114N3575	114N3486 114N3576		MTZ18-1 MTZ18-3	MTZ18-1VI MTZ18-3VI	N: 119-4654	N: 119-5617	N: 119-5616	119-5640	119-4551	119-4545	119-4544	120Z0638
HNXM0200	114N3487 114N3577	114N3488 114N3578		MLZ15T1A MLZ15T2A	121L8709 121L8711	N: 119-8775	N: 119-5618	N: 119-8780	119-5640	119-4548	119-4545	119-4545	120Z0648
HNXM0250	114N3489 114N3581	114N3490 114N3582		MLZ19T1A MLZ19T2A	121L8719 121L8723	N: 119-8775	N: 119-5618	N: 119-8780	119-5640	119-4548	119-4545	119-4545	120Z0648
HNXM0300	114N3491 114N3579	114N3492 114N3580		MLZ21T1A MLZ21T2A	121L8737 121L8739	N: 119-8775	N: 119-5618	N: 119-8780	119-5640	119-4548	119-4545	119-4545	120Z0648
HNXM0350	114N3493 114N3583	114N3494 114N3584		MLZ26T1A MLZ26T2A	121L8751 121L8753	N: 119-4654	N: 119-8777	N: 119-8781	119-5639	119-4548	119-4551	119-4545	120Z0648
HNXM0400	114N3495 114N3585	114N3496 114N3586		MLZ30T1A MLZ30T2A	121L8763 121L8765	N: 119-8776	N: 119-8778	N: 119-8781	N: 119-5639 Q: 119-5640	119-4548	119-4551	119-4545	120Z0648
HRXM0500	114N3497 114N3587	114N3498 114N3588		MLZ38T1A MLZ38T2A	121L8775 121L8777	N: 119-4654	N: 119-8779	N: 119-8782	N: 119-4652 Q: 119-5639	119-4548	119-4551	119-4545	120Z0648
HRXM0600		114N3499 114N3589	114N3519	MLZ45T2 MLZ45T4	121L8797 121L8799	----	----	----	Q: 119-5639 R: 119-5640	119-4548	119-4551	119-4545	120Z0648
HRXM0700		114N3500 114N3591	114N3520	MLZ48T2 MLZ48T4	121L8807 121L8809	----	----	----	Q: 119-5639 R: 119-5640	119-4548	119-4546	119-4545	120Z0648
HRXM0750		114N3501 114N3592	114N3521	MLZ58T2 MLZ58T4	121L8817 121L8819	----	----	----	Q: 119-4652 R: 119-5639	119-4550	119-4548	119-4551	120Z0648
HRXM1000		114N3502 114N3593	114N3522	MLZ76T2 MLZ76T4	121L8835 121L8837	----	----	----	Q: 119-4652 R: 119-5639	119-4550	119-4548	119-4551	120Z0648

Unit	Crankcase Heater	Acoustic hood	Condenser kit	Defrost Timer	Dual pressure switch	Fan kit	Fan capacitor	Fan speed controller	Filter drier	Receiver	Sight glass	Sequence phase relay	Fan Cycling	Transformer
HJZM0150	120Z0459	120Z0575	119-4536	119-4552	060-5253	119-8253E	119-4529	061H3140	023Z5040	119-4531	014L0022	----	----	----
HNXM0200	120Z5040	120Z5083	119-4537	119-4552	060-5253	119-8254E	119-4530	061H3140	023Z5041	119-4532	014L0022	119-4567	----	----
HNXM0250	120Z5040	120Z5083	119-4537	119-4552	060-5253	119-8254E	119-4530	061H3140	023Z5041	119-4532	014L0025	119-4567	----	----
HNXM0300	120Z5040	120Z5083	119-4537	119-4552	060-5253	119-8254E	119-4530	061H3140	023Z5041	119-4532	014L0025	119-4567	----	----
HNXM0350	120Z5040	120Z5083	119-4538	119-4552	060-5253	119-8254E	119-4530	061H3140	023Z5044	119-4533	014L0025	119-4567	----	----
HNXM0400	120Z5040	120Z5084	119-4538	119-4552	060-5253	119-8254E	119-4530	061H3140	023Z5044	119-4533	014L0025	119-4567	----	----
HRXM0500	120Z5040	120Z5084	119-4539	119-4552	060-5253	119-8254E	119-4530	061H3140	023Z5044	119-4534	014L0025	119-4567	----	----
HRXM0600	Q:120Z5040 R:120Z5041	120Z5084	119-4539	119-4552	060-5253	Q: 119-8254E R: 191U137850	Q:119-4530	Q:061H3140	023Z5044	119-4534	014L0025	119-4567	R: 060-5241	119-8687
HRXM0700	Q:120Z5040 R:120Z5041	120Z5084	119-4539	119-4552	060-5253	Q: 119-8254E R: 191U137850	Q:119-4530	Q:061H3140	023Z5044	119-4534	014L0025	119-4567	R: 060-5241	119-8687
HRXM0750	Q:120Z5040 R:120Z5041	120Z5085	Q:119-4540 R:119-8688	119-4552	060-5253	Q: 119-8255E R: 191U137950	Q:119-4530	Q:061H3140	023Z5045	119-4535	014L0026	119-4567	R: 060-5241	119-8687
HRXM1000	Q:120Z5040 R:120Z5041	120Z5085	Q:119-4540 R:119-8688	119-4552	060-5253	Q: 119-8255E R: 191U137950	Q:119-4530	Q:061H3140	023Z5045	119-4535	014L0026	119-4567	R: 060-5241	119-8687

*Q (208-230V, 3ph, 60 Hz) uses Fan speed controller; R (460V, 3ph, 60 Hz) uses Fan cycling

Spare Parts

Unit	N	Q	R	Compressor					Contactor	Service valve			Oil
				Model no	Code number	Start capacitor	Run Capacitor	Start Relay		Suction	Discharge	Receiver valve	
LJHM0150	114N3508	114N3509	----	NTZ048-1 NTZ048-3	N: 120F0293 Q: 120F0279	N: 119-4654	N: 119-5617	N: 119-5616	119-5640	119-4546	119-4545	119-4544	120Z0638
LJHM0200	114N3518	114N3511	----	NTZ068-1 NTZ068-3	N: 120F0294 Q: 120F0280	N: 119-5636	N: 119-8783	N: 119-5616	119-5640	119-4546	119-4545	119-4544	120Z0638
LN YM0400	----	114N3652 114N3594	----	LLZ013T2	121L9545	----	----	----	119-5640	119-4548	119-4551	119-4545	120Z0648
LN YM0500	----	114N3653 114N3595	----	LLZ015T2	121L9547	----	----	----	119-5640	119-4548	119-4551	119-4545	120Z0648
LN YM0600	----	114N3654	----	LLZ018T2	Q: 121L9549	----	----	----	Q: 119-5639	119-4548	119-4551	Q: 119-4545	120Z0648
LR YM0600	----	----	114N3523	LLZ018T4	R: 121L9539	----	----	----	R: 119-5640	119-4548	119-4551	R: 119-4551	120Z0648
LR YM0800	----	114N3655 114N3597	114N3524	LLZ024T2 LLZ024T4	Q: 121L9551 R: 121L9541	----	----	----	Q: 119-5639 R: 119-5639	119-4550	119-4546	119-4551	120Z0648

Unit	Crankcase Heater	Acoustic hood	Condenser kit	Defrost Timer	Dual pressure switch	Fan kit	Fan capacitor	Fan speed controller
LJHM0150	120Z0459	120Z0575	119-4536	119-4552	060-5253	119-8253E	119-4529	061H3140
LJHM0200	120Z0459	120Z0575	119-4536	119-4552	060-5253	119-8254E	119-4529	061H3140
LN YM0400	120Z5040	120Z5052	119-4538	119-4552	060-5253	119-8773E	119-4530	061H3246
LN YM0500	120Z5040	120Z5052	119-4538	119-4552	060-5253	119-8773E	119-4530	061H3246
LN YM0600	Q: 120Z5040	120Z5052	119-4538	119-4552	060-5253	Q: 119-8773E	Q: 119-4530	Q: 061H3246
LR YM0600	R: 120Z5041	120Z5052	119-4539	119-4552	060-5253	R: 191U137850	Q: 119-4530	Q: 061H3246
LR YM0800	Q: 120Z5040 R: 120Z5041	120Z5053 120Z5053	119-4539	119-4552	060-5253	Q: 119-8773E R: 191U137850	Q: 119-4530	Q: 061H3246

Unit	Filter drier	Receiver	Sight glass	Liquid Injection Valve	Liquid Injection Coil	Sequence phase relay	Fan Cycling	Transformer
LJHM0150	023Z5040	119-4531	014L0022	----	----	----	----	----
LJHM0200	023Z5040	119-4531	014L0022	----	----	----	----	----
LN YM0400	023Z5044	119-4533	014L0025	068F5211	018F4135	119-4567	----	----
LN YM0500	023Z5044	119-4533	014L0025	068F5211	018F4135	119-4567	----	----
LN YM0600	023Z5045	119-4533	014L0025	068F5211	018F4135	119-4567	----	----
LR YM0600	023Z5045	119-4535	014L0025	068F5212	018F4135	119-4567	R: 060-5241	119-8687
LR YM0800	023Z5045	119-4535	014L0025	068F5212	018F4135	119-4567	R: 060-5241	119-8687

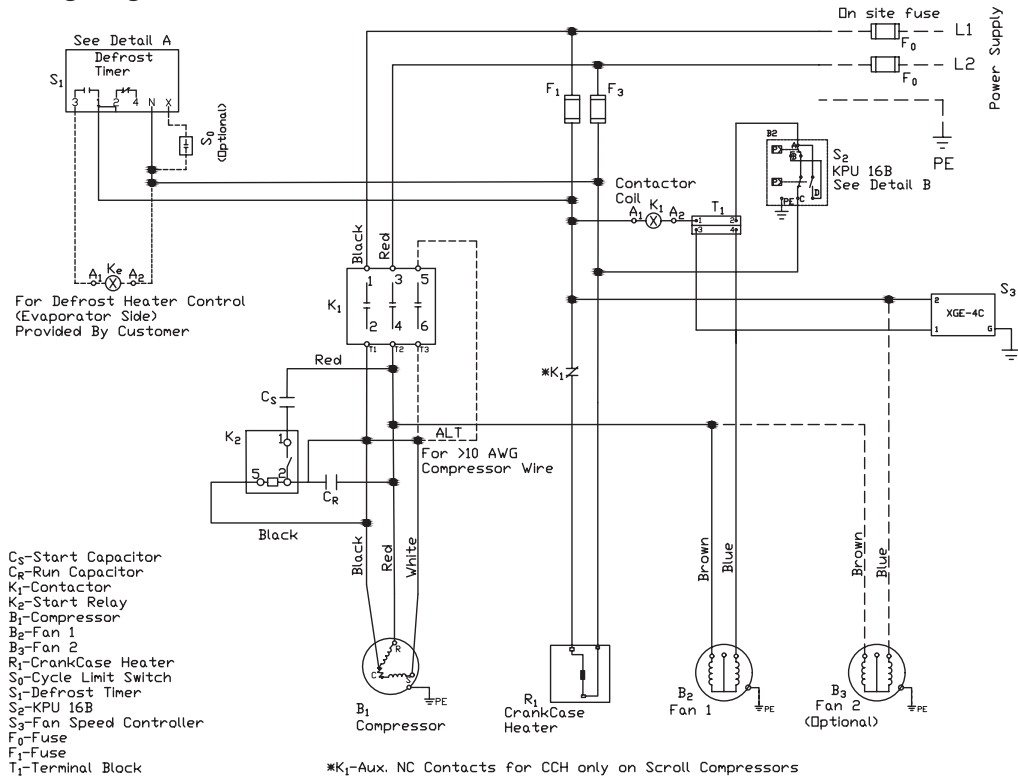
**Spare Parts WK Low Ambient
Kit MBP**

Unit	N	Q	R	Crankcase Heater Receiver	"KPU Pressure switch (High)"	"KPU Pressure switch (Low)"	Valve Head Pressure	Timer	Thermostat	Defrost
HJZM0150	114N3575	114N3576	----	120Z0389	060-5243	060-5231	119-9439	119-9437	119-9436	119-9438
HNXM0200	114N3577	114N3578	----	120Z5040	060-5243	060-5231	119-9439	119-9437	119-9436	119-9438
HNXM0250	114N3581	114N3582	----	120Z5040	060-5243	060-5231	119-9439	119-9437	119-9436	119-9438
HNXM0300	114N3579	114N3580	----	120Z5040	060-5243	060-5231	119-9439	119-9437	119-9436	119-9438
HNXM0350	114N3583	114N3584	----	120Z5011	060-5243	060-5231	119-9440	119-9437	119-9436	119-9438
HNXM0400	114N3585	114N3586	----	120Z5011	060-5243	060-5231	119-9440	119-9437	119-9436	119-9438
HRXM0500	114N3587	114N3588	----	120Z0138	060-5243	060-5231	119-9440	119-9437	119-9436	119-9438
HRXM0600	----	114N3589	----	120Z0138	060-5243	060-5231	119-9440	119-9437	119-9436	119-9438
HRXM0700	----	114N3591	----	120Z0138	060-5243	060-5231	119-9440	119-9437	119-9436	119-9438
HRXM0750	----	114N3592	----	120Z0138	060-5243	060-5231	119-9441	119-9437	119-9436	119-9438
HRXM1000	----	114N3593	----	120Z0138	060-5243	060-5231	119-9441	119-9437	119-9436	119-9438

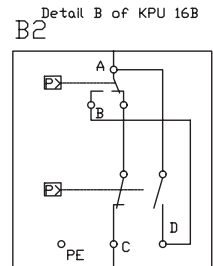
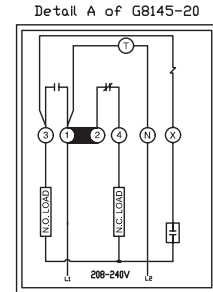
**Spare Parts WL Low Ambient
Kit LBP**

Unit	N	Q	R	Crankcase Heater Receiver	"KPU Pressure switch (High)"	"KPU Pressure switch (Low)"	Valve Head Pressure	Timer	Thermostat	Defrost
LN YM0400	----	114N3594	----	120Z5011	060-5243	060-5231	119-9439	119-9437	119-9436	119-9438
LN YM0500	----	114N3595	----	120Z5011	060-5243	060-5231	119-9439	119-9437	119-9436	119-9438
LN YM0600	----	114N3596	----	120Z5011	060-5243	060-5231	119-9439	119-9437	119-9436	119-9438
LR YM0800	----	114N3597	----	120Z0138	060-5243	060-5231	119-9440	119-9437	119-9436	119-9438

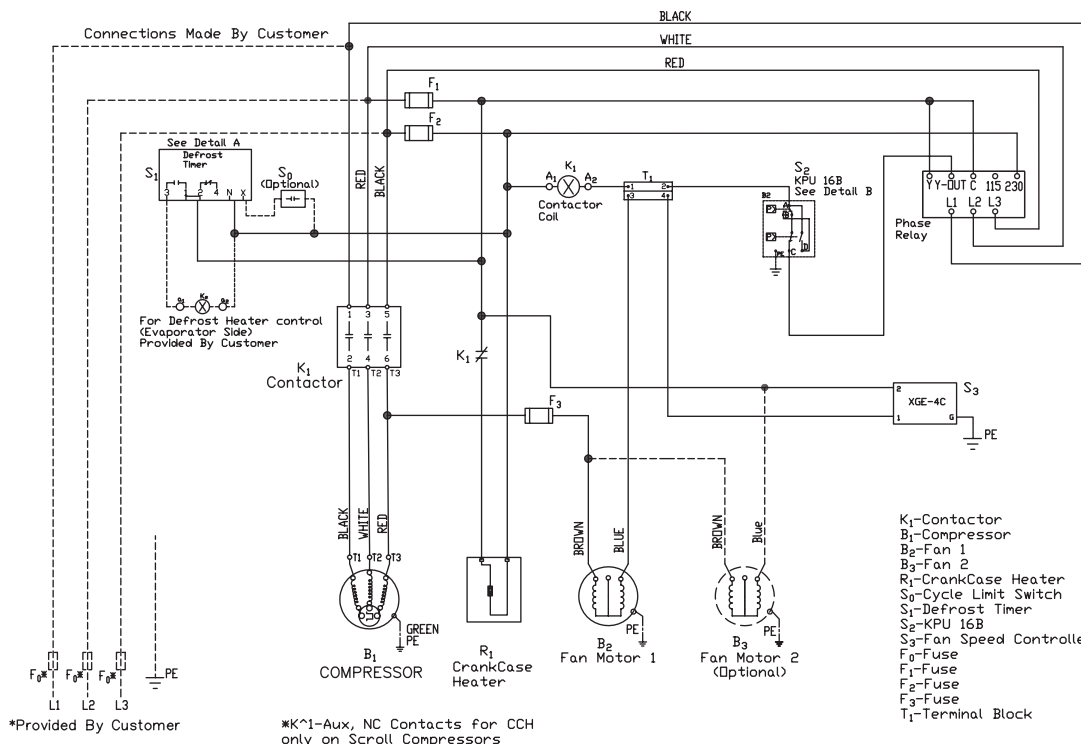
Wiring Diagram 119-8312



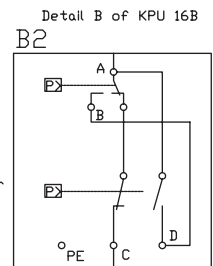
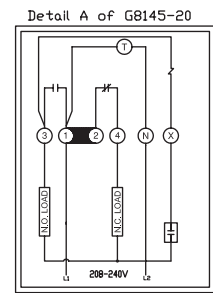
119-8312
230V 1Ph 60Hz



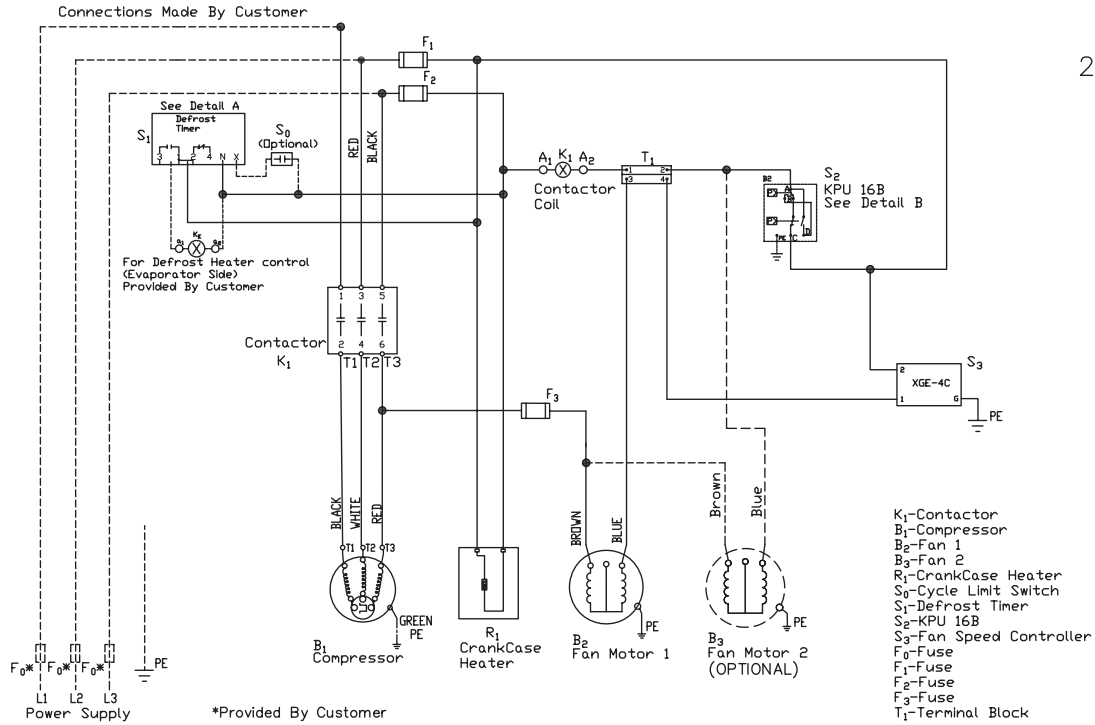
Wiring Diagram 119-8313



119-8313
220V 3PH 60Hz

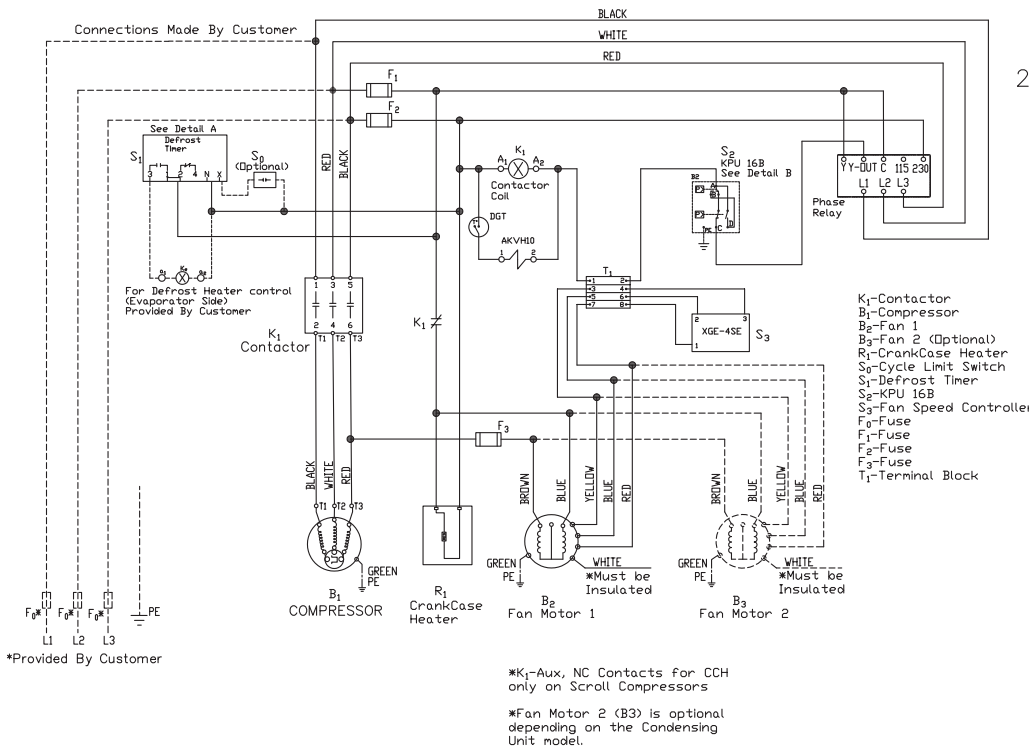


Wiring Diagram 119-8315



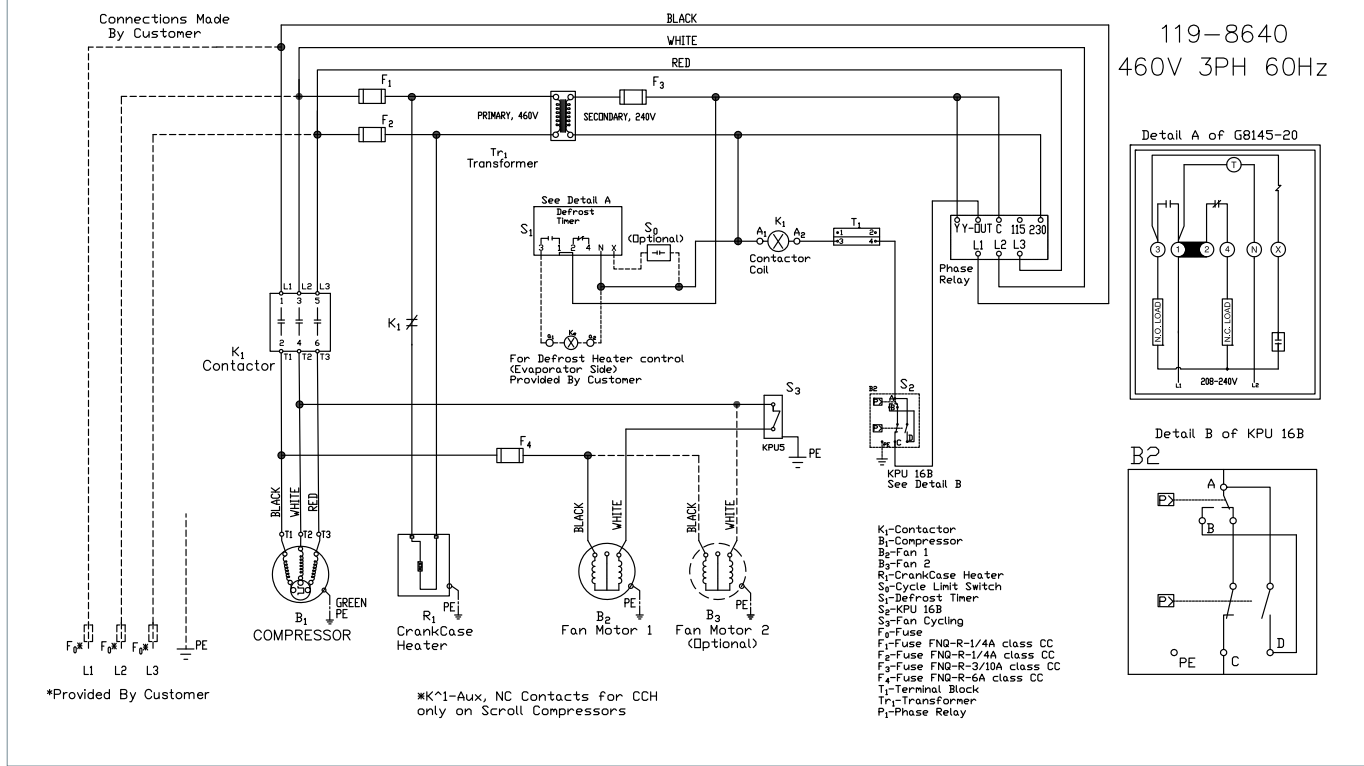
119-8315
220V 3PH 60Hz

Wiring Diagram 119-9123

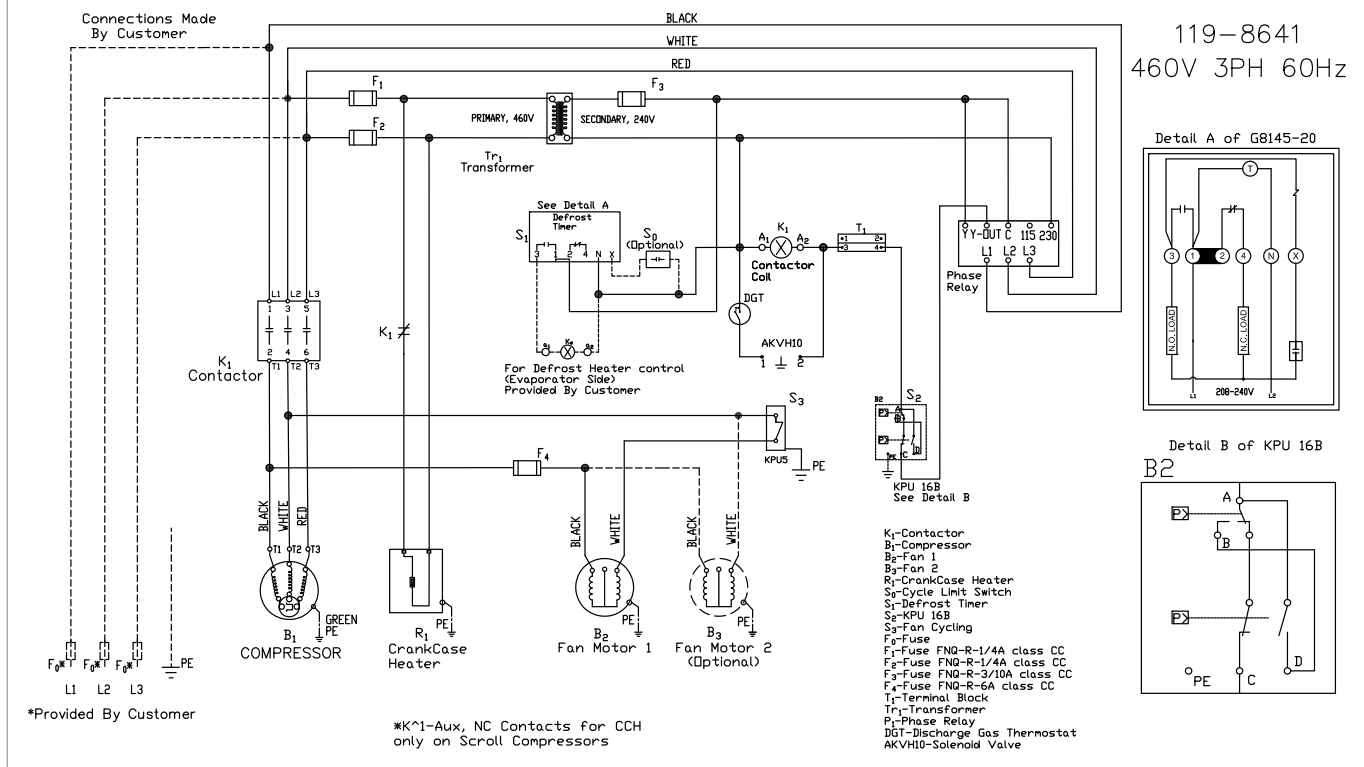


119-9123
220V 3PH 60Hz

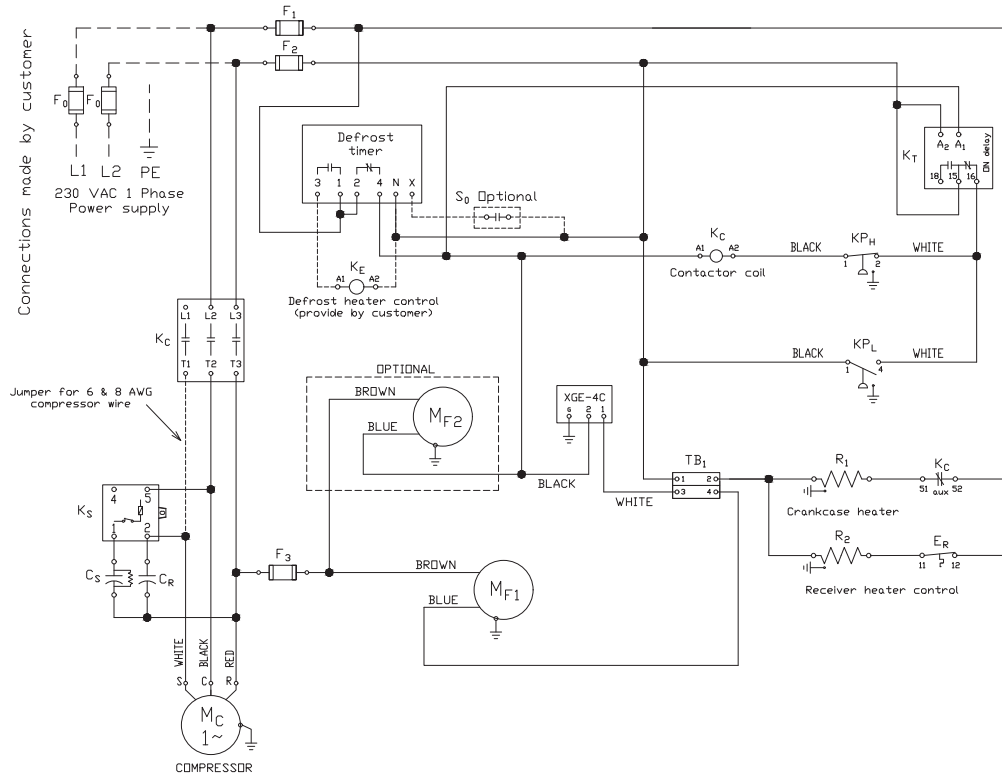
Wiring Diagram 119-8640



Wiring Diagram 119-8641



Wiring Diagram 119-9312

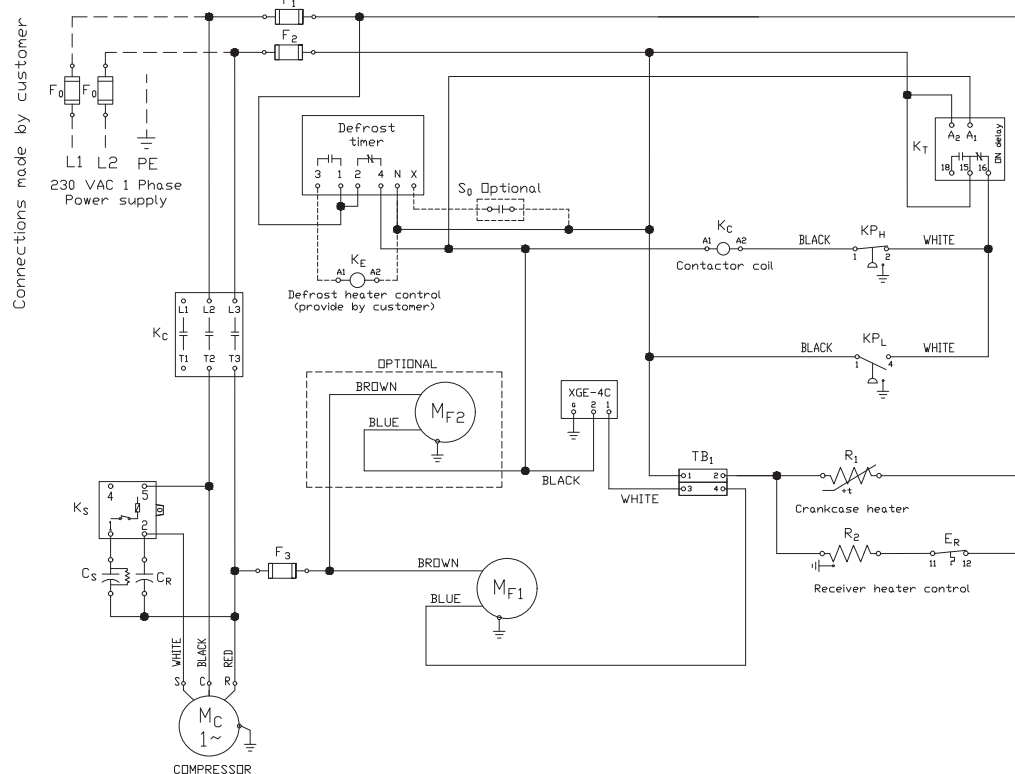


119-9312
230V 1PH 60Hz

- C_S-Start capacitor
- C_R-Run capacitor
- E_R-Receiver thermostat
- F₀, F₁, F₂, F₃-Fuses
- K_C-Compressor contactor
- K_E-Defrost heater contactor
- K_S-Start relay RVA2CKL
- K_T-Timer on delay relay
- KP_H-High pressure switch KPU6W
- KP_L-Low pressure switch KPU1
- M_C-Compressor
- M_{F1}-Fan 1
- M_{F2}-Fan 2
- R₁-Crankcase heater
- R₂-Receiver heater
- S₀-Cycle limit switch
- TB₁-Terminal block
- XGE 4C-Fan speed controller

MODEL	F1	F2	F3
HJZM0150****	3A	1.5A	3A
HNXM0200 ...400****	6A	1.5A	6A
HRXM0500 ...1000****	10A	1.5A	10A

Wiring Diagram 119-9313

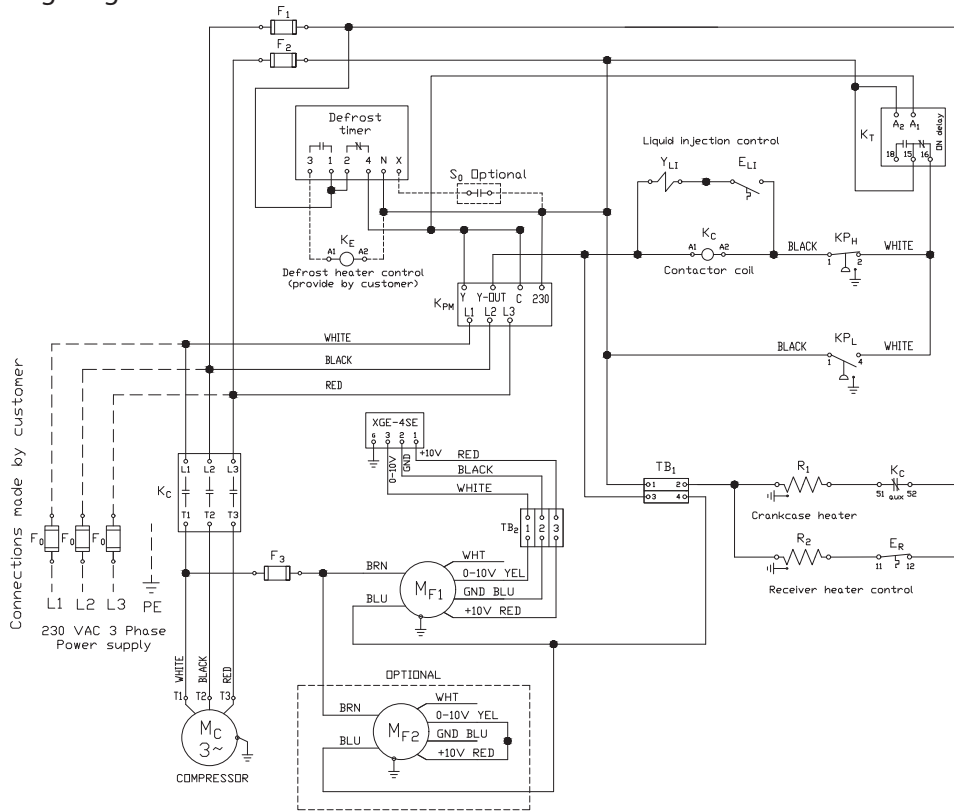


119-9313
230V 1PH 60Hz

- C_S-Start capacitor
- C_R-Run capacitor
- E_R-Receiver thermostat
- F₀, F₁, F₂, F₃-Fuses
- K_C-Compressor contactor
- K_E-Defrost heater contactor
- K_S-Start relay RVA2CKL
- K_T-Timer on delay relay
- KP_H-High pressure switch KPU6W
- KP_L-Low pressure switch KPU1
- M_C-Compressor
- M_{F1}-Fan 1
- M_{F2}-Fan 2
- R₁-PTC crankcase heater
- R₂-Receiver heater
- S₀-Cycle limit switch
- TB₁-Terminal block
- XGE 4C-Fan speed controller

MODEL	F1	F2	F3
HJZM0150****	3A	1.5A	3A
HNXM0200 ...400****	6A	1.5A	6A
HRXM0500 ...1000****	10A	1.5A	10A

Wiring Diagram 119-9314

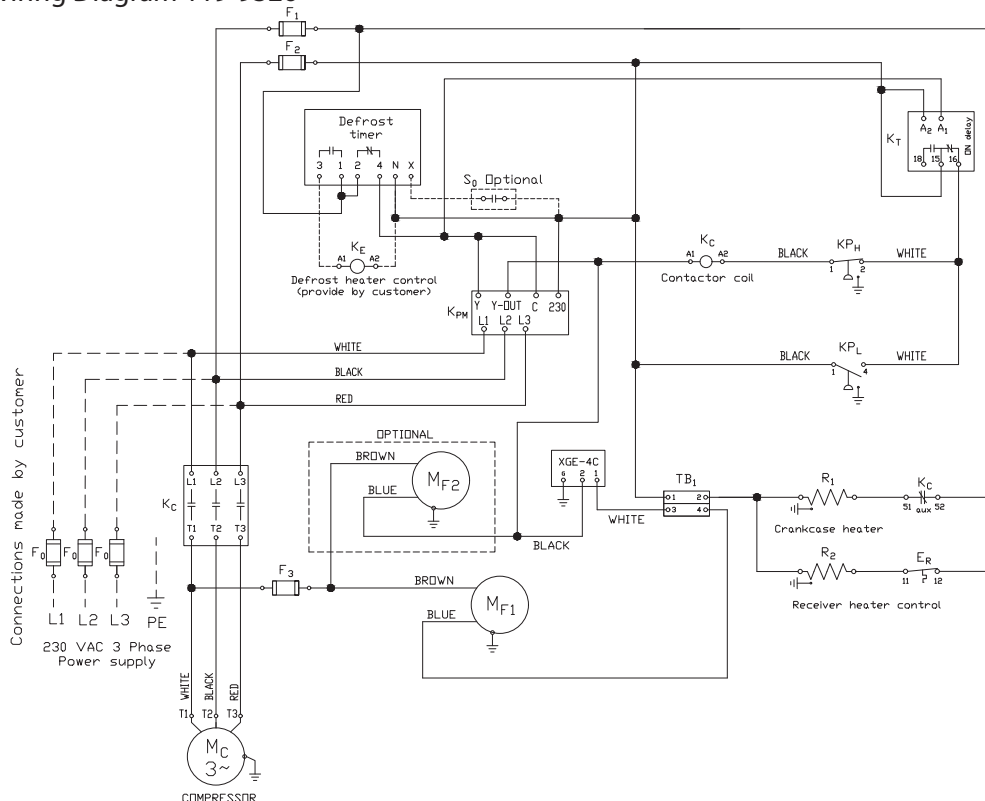


119-9314
230V 3PH 60Hz

- E_{LT}-Liquid injection thermostat
- E_R-Receiver thermostat
- F₀, F₁, F₂, F₃-Fuses
- K_C-Compressor contactor
- K_E-Defrost heater contactor
- K_{PM}-Phase monitor relay
- K_T-Timer on delay relay
- K_{PH}-High pressure switch KPU6W
- K_{PL}-Low pressure switch KPU1
- M_C-Compressor
- M_{F1}-EC fan 1
- M_{F2}-EC fan 2
- R₁-Crankcase heater
- R₂-Receiver heater
- S₀-Cycle limit switch
- T_{B1}, T_{B2}-Terminal block
- XGE 4SE-Fan speed controller
- Y_{LT}-Liquid injection solenoid coil

MODEL	F1	F2	F3
LNVM400 ... 600****	6A	1.5A	6A
LRVM800****	6A	1.5A	6A

Wiring Diagram 119-9326

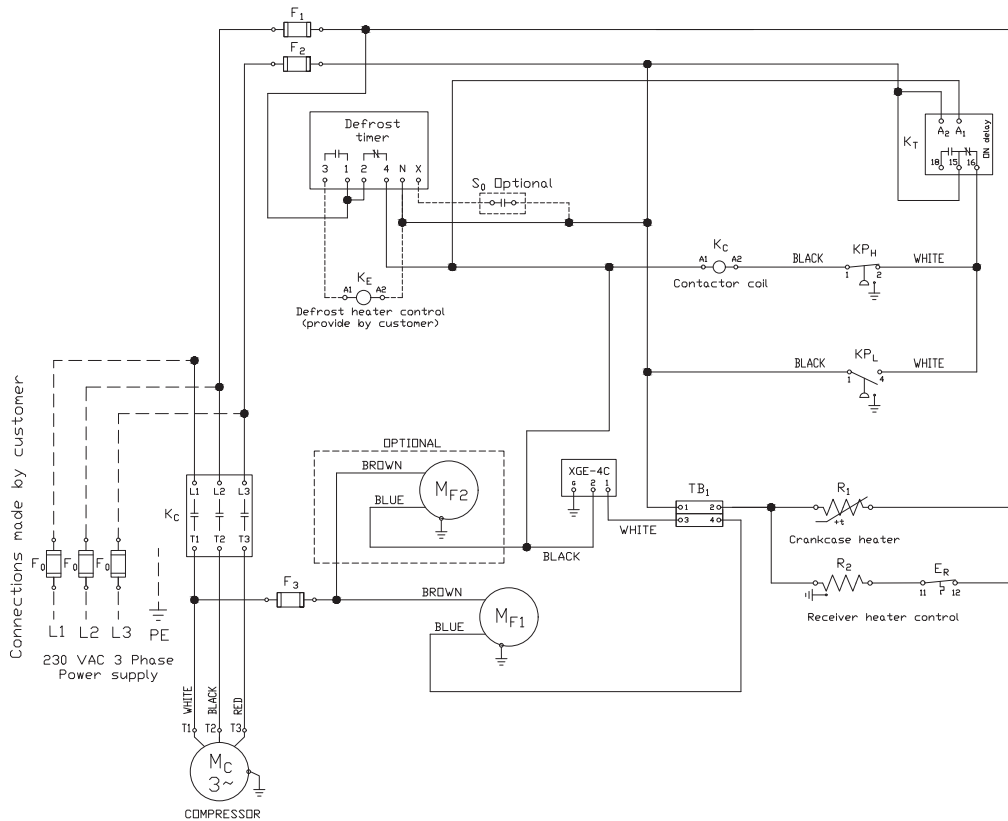


119-9326
230V 3PH 60Hz

- E_R-Receiver thermostat
- F₀, F₁, F₂, F₃-Fuses
- K_C-Compressor contactor
- K_E-Defrost heater contactor
- K_{PM}-Phase monitor relay
- K_T-Timer on delay relay
- K_{PH}-High pressure switch KPU6W
- K_{PL}-Low pressure switch KPU1
- M_C-Compressor
- M_{F1}-Fan 1
- M_{F2}-Fan 2
- R₁-Crankcase heater
- R₂-Receiver heater
- S₀-Cycle limit switch
- T_{B1}-Terminal block
- XGE 4C-Fan speed controller

MODEL	F1	F2	F3
HJZM150****	3A	1.5A	3A
HNXM200 ... 400****	6A	1.5A	6A
HRXM500 ... 1000****	10A	1.5A	10A

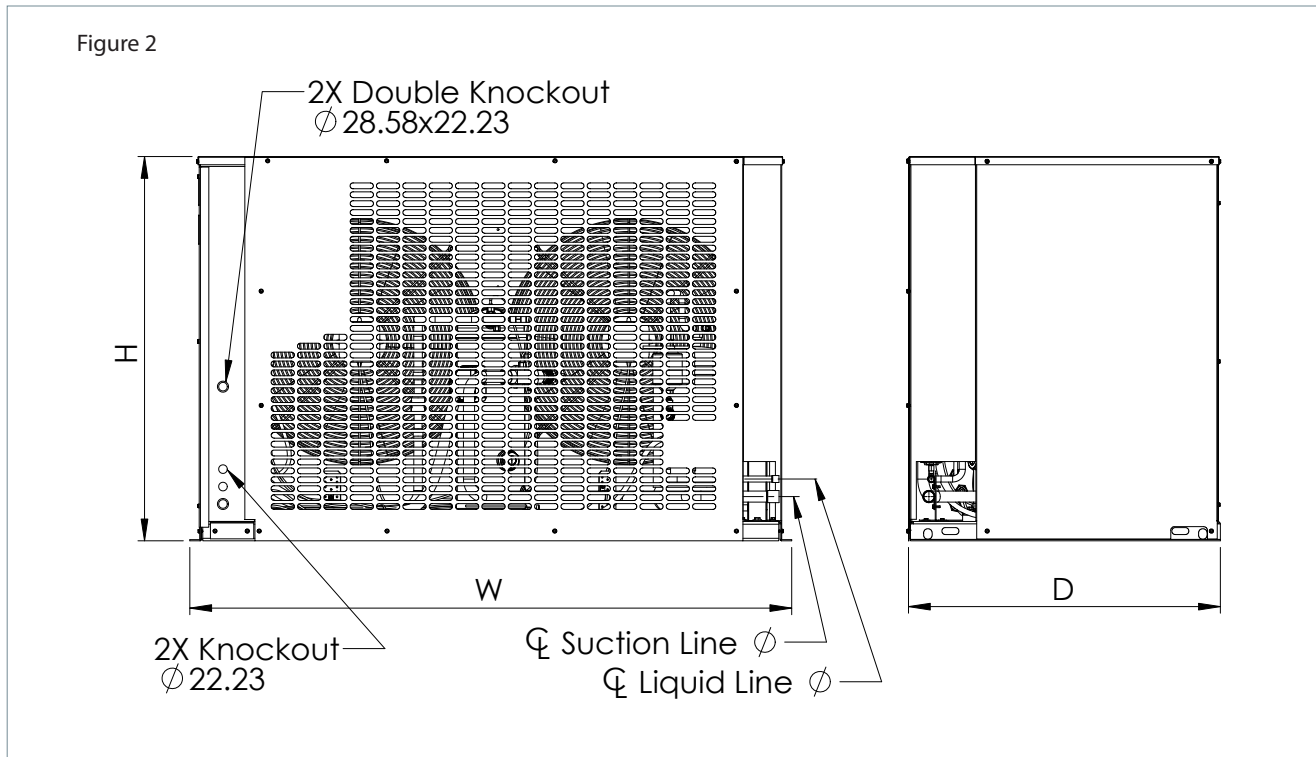
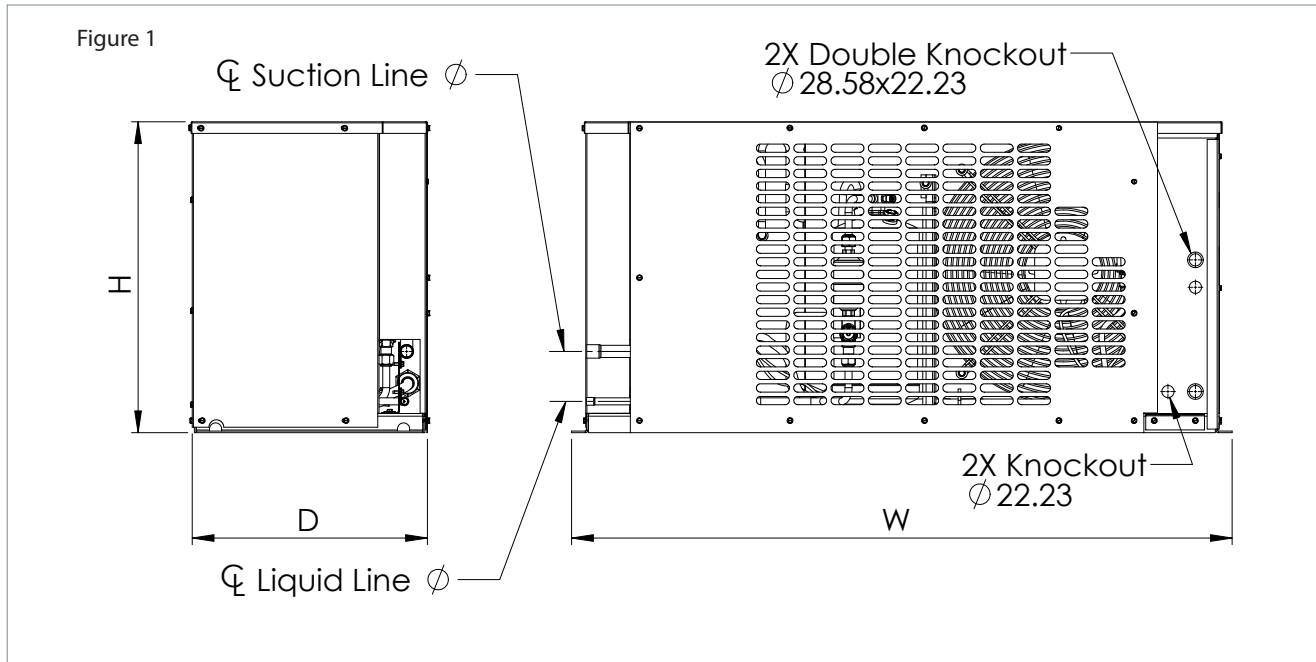
Wiring Diagram 119-9327



119-9327
230V 3PH 60Hz

- E_R-Receiver thermostat
- F₀, F₁, F₂, F₃-Fuses
- K_C-Compressor contactor
- K_D-Defrost heater contactor
- K_T-Timer on delay relay
- KP_H-High pressure switch KPU6W
- KP_L-Low pressure switch KPU1
- M_C-Compressor
- M_{F1}-Fan 1
- M_{F2}-Fan 2
- R₁-PTC crankcase heater
- R₂-Receiver heater
- S₀-Cycle limit switch
- TB₁-Terminal block
- XGE 4C-Fan speed controller

MODEL	F1	F2	F3
HJZM0150****	3A	15A	3A
HNXM0200 400****	6A	15A	6A
HRXM05001000****	10A	15A	10A



Danfoss Commercial Compressors

is a worldwide manufacturer of compressors and condensing units for refrigeration and HVAC applications. With a wide range of high quality and innovative products we help your company to find the best possible energy efficient solution that respects the environment and reduces total life cycle costs.

We have 40 years of experience within the development of hermetic compressors which has brought us amongst the global leaders in our business, and positioned us as distinct variable speed technology specialists. Today we operate from engineering and manufacturing facilities spanning across three continents.



Danfoss Scrolls



Danfoss Inverter Scrolls



Danfoss Turbocor Compressors



Danfoss Light Commercial Refrigeration Compressors



Danfoss Maneurop Reciprocating Compressors



Danfoss Optyma Condensing Units

Our products can be found in a variety of applications such as rooftops, chillers, residential air conditioners, heatpumps, coldrooms, supermarkets, milk tank cooling and industrial cooling processes.

Danfoss A/S
Climate Solutions • danfoss.us • +1 888 326 3677 • baltimore@danfoss.com



Any information, including, but not limited to information on selection of product, its application or use, product design, weight, dimensions, capacity or any other technical data in product manuals, catalogues descriptions, advertisements, etc. and whether made available in writing, orally, electronically, online or via download, shall be considered informative, and is only binding if and to the extent, explicit reference is made in a quotation or order confirmation. Danfoss cannot accept any responsibility for possible errors in catalogues, brochures, videos and other material. Danfoss reserves the right to alter its products without notice. This also applies to products ordered but not delivered provided that such alterations can be made without changes to form, fit or function of the product.

All trademarks in this material are property of Danfoss A/S or Danfoss group companies. Danfoss and the Danfoss logo are trademarks of Danfoss A/S. All rights reserved.