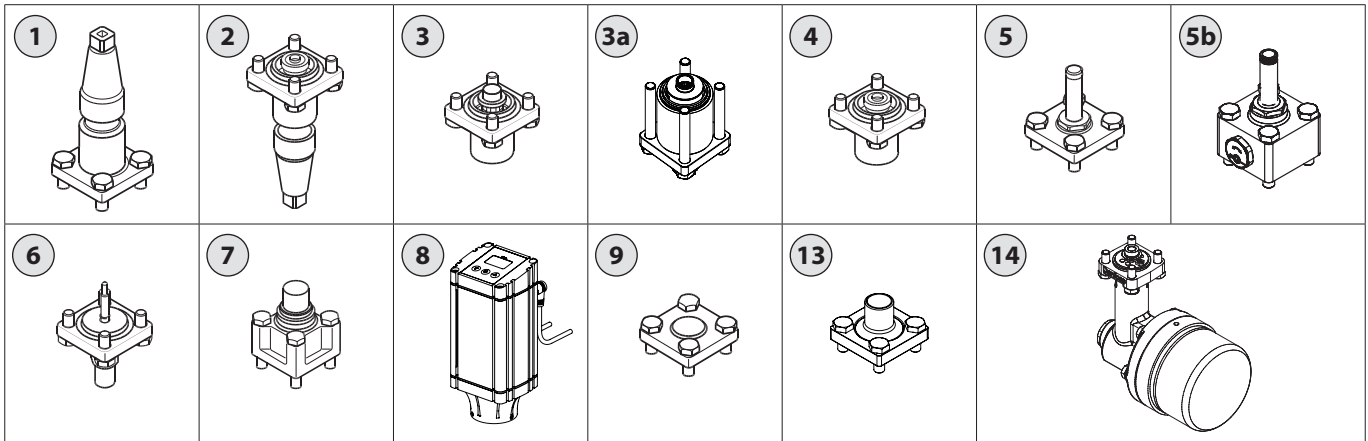


Data sheet - Spare parts and accessories

Valve station

Type ICF 15, ICF EVRAT, ICF 20, ICF SS 20



Description	Fig #	Qty.	Code no.
Stop, Check, Stop/check and Regulating valve module			
ICFS 15 – Stop valve module	1	1	148B5276
ICFS 20 – Stop valve module	1	1	027L1250
ICFS SS 20 – Stop valve module	1	1	027L4772
ICFR 20A – Manual regulating valve (incl. PEEK seat)	1	1	027L1254
ICFR SS 20A – Manual regulating valve (incl. PEEK seat)	1	1	027L4773
ICFR 20B – Manual regulating valve (incl. PEEK seat)	1	1	027L1255
ICFR SS 20B – Manual regulating valve (incl. PEEK seat)	1	1	027L4774
ICFN 20 – Stop/check valve module	2	1	027L1253
ICFN SS 20 – Stop/check valve module	2	1	027L4788
ICFC 20 – Check valve module	4	1	027L1252
ICFC SS 20 – Check valve module	4	1	027L4775
Packing gland for ICFS 20, ICFR 20, ICFN 20	–	1	148B4056
Red cap for ICFS 20	–	1	148B4075
Yellow cap for ICFR 20	–	1	027L1306
Green cap for ICFN 20	–	1	027L1316
Handwheel for ICFS 20	–	1	148B4060
Inspection kit for ICFS 15	–	1	148B6051
Repair kit for ICFS 15	–	1	148B6061
Overhaul kit for ICFS 15	–	1	148B6151
Filter module			
ICFF 15 - Filter module G ¼"	–	1	027L1246
ICFF 15 - Filter module ¾" NPT	–	1	027L1247
ICFF 20 – Filter module (incl. adaptor and pleated insert (150 µ (100 mesh) / 45 cm² (7.0 in²))	3	1	027L1251
ICFF SS 20 – Filter module (incl. adaptor and pleated insert (150 µ (100 mesh) / 45 cm² (7.0 in²))	3	1	027L4776
ICFF 20E – Filter module (incl. adaptor and pleated insert (150 µ (100 mesh) / 160 cm² (24.8 in²))	3a	1	027L2256
ICFF SS 20E – Filter module (incl. adaptor and pleated insert (150 µ (100 mesh) / 160 cm² (24.8 in²))	3a	1	027L4777
Filter element for ICFF 15	–	1	148H1136
Filter element for ICFF 20 74 µ	–	1	148H3292
Filter element pleated for ICFF 20 250 µ	–	1	148H3363
Filter element pleated for ICFF 20E, 250 µ	–	1	148H3269
Filter element for ICFF 20, ICFF SS 20, 150µ, 45 cm²	–	1	027L0801
Filter element for ICFF 20E, ICFF SS 20E, 150µ, 160 cm²	–	1	027L0800
Solenoid valve module			
ICFE 20 – Solenoid valve module (incl. PEEK seat) ¹⁾	5	1	027L1257
ICFE 20 – Solenoid valve module (65 bar)	5	1	027L1340
ICFE SS 20 – Solenoid valve module (incl. PEEK seat)	5	1	027L4778

Description	Fig #	Qty.	Code no.
ICFE 20H – Solenoid valve module High Capacity ¹⁾	5b	1	027L1270
ICFE 20H – Solenoid valve module (65 bar)	5b	1	027L1353
ICFE SS 20H – Solenoid valve module High Capacity	5b	1	027L4779
Repair kit for ICFE 20: Armature assembly, Diaphragm assembly, Al. gasket, O-ring	–	1	032F8030
Manual opening module			
ICFO 20 – Manual opening module ²⁾	6	1	027L1260
ICFO 20 – Manual opening module (65 bar)	6	1	027L1352
ICFO SS 20 – Manual opening module	6	1	027L4786
Electronic expansion valve module			
ICFA 20 – Electronic expansion valve module (incl. PEEK seat)	5	1	027L1258
ICFA SS 20 – Electronic expansion valve module (incl. PEEK seat)	5	1	027L4780
Armature kit for ICFE 20: Armature, Armature tube assembly, Alu gasket	–	1	068F5045
Motor valve module			
ICM 20-A33 – Motor valve module (incl. PEEK seat)	7	1	027H1186
ICM SS 20-A33 – Motor valve module (incl. PEEK seat)	7	1	027L4785
ICM 20-A – Motor valve module (incl. PEEK seat)	7	1	027H1180
ICM SS 20-A – Motor valve module (incl. PEEK seat)	7	1	027L4782
ICM 20-B66 – Motor valve module (incl. PEEK seat)	7	1	027H1194
ICM SS 20-B66 – Motor valve module (incl. PEEK seat)	7	1	027L4781
ICM 20-B – Motor valve module (incl. PEEK seat)	7	1	027H1181
ICM SS 20-B – Motor valve module (incl. PEEK seat)	7	1	027L4783
ICM 20-C – Motor valve module (incl. PEEK seat)	7	1	027H1182
ICM SS 20-C – Motor valve module (incl. PEEK seat)	7	1	027L4784
ICAD 600A – Actuator with 1.5 m (60 in.) cables	8	1	027H9075
ICAD 600A – Actuator without cables	8	1	027H9120
Blank top cover and welding module			
ICFB 20 – Blank top cover	9	1	027L1259
ICFB 20 – Blank top cover (65 bar)	9	1	027L1341
ICFB SS 20 – Blank top cover	9	1	027L4787
ICFW 20 – Welding module 20 DIN	13	1	027L1245
ICFW SS 20 – Welding module 20 DIN	13	1	027L4789
ICFW 20 – Welding module ¾" SOC	13	1	027L1230
Defrost module			
ICFD 20	14	1	027L6701
ICFD 20C (CO ₂)	14	1	027L6708

¹⁾ - compatible with ICF 15, ICF EVRAT and ICF 20

²⁾ - compatible with ICF 15 and ICF 20

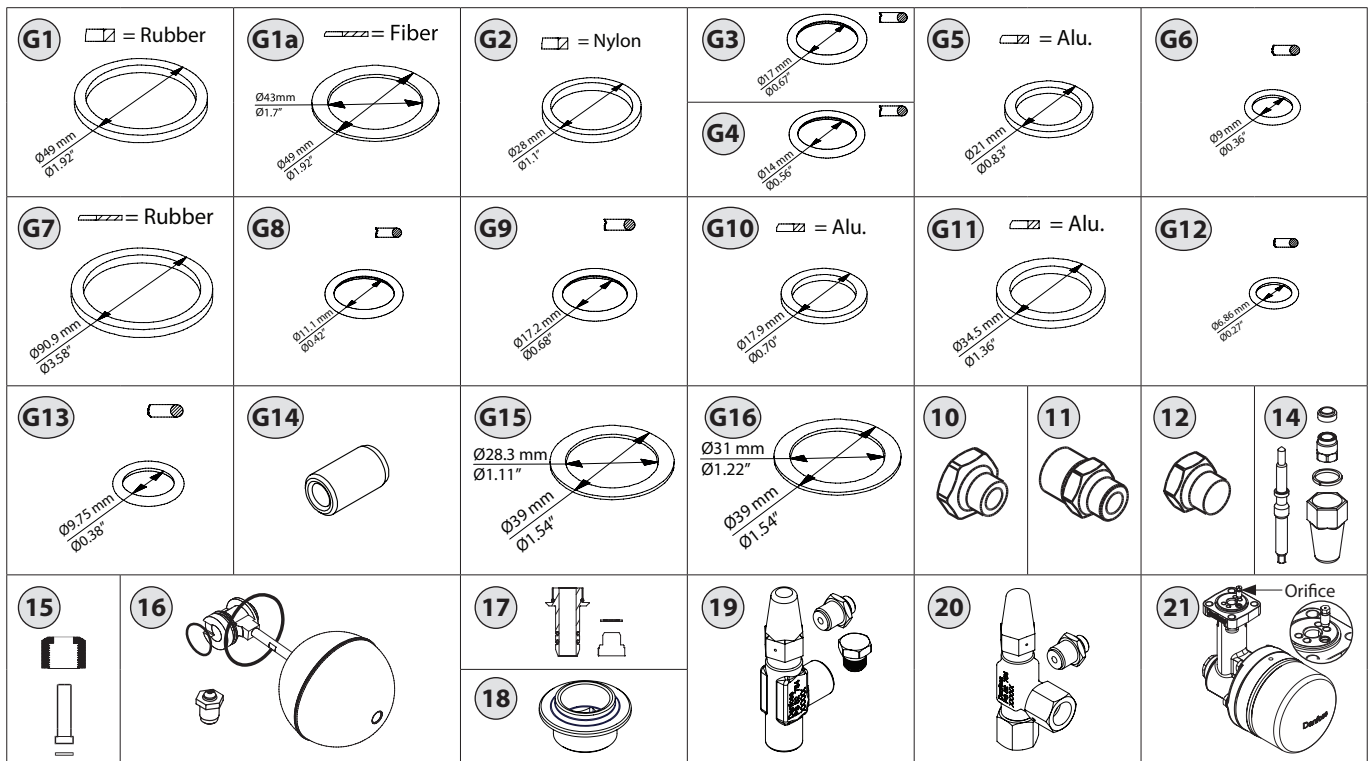
Modules in version with 65 bar and ber gasket can be used with all 52 bar ICF valve houses. A complete ICF valve station with 65 bar MWP requires both 65 bar modules and valve housing (e.g. ICF 20-2).

All modules include a gasket and four bolts when supplied.

Data sheet - Spare parts and accessories

Valve station

Type ICF 15, ICF EVRAT, ICF 20, ICF SS 20



Description	Fig #	Qty.	Code no.
Gaskets and O-rings for ICF 15			
Rubber gasket M3, M4	G1	2	027L1271
Fiber gasket M1	G15	1	
Fiber gasket M2	G16	1	
Al-gaskets for side ports	G5	2	
O-ring for armature	G4	1	
Gasket for Cap	G2	2	
O-ring for PEEK seat	G3	2	
Gaskets and O-rings for ICF 20/ICF SS 20			
Rubber gasket bonnet-flange (ICF 20)	G1	6	027L1261
Fiber gasket bonnet-flange (ICF SS 20)	G1a	6	
Stop, reg. and stop-check valves and ICM			
Gasket for a cap	G2	3	027L1261
O-ring for PEEK seat	G3	2	
O-ring for packing gland	G6	1	
Solenoid valve module			
O-ring for armature	G4	1	027L1261
O-ring for PEEK seat	G3	1	
Al-gaskets for side ports	G5	6	
Defrost Module			
Rubber gasket bonnet-flange	G1	1	027L6702
Gasket for Float housing flange	G7	1	
O-ring Inlet connector	G8	2	
O-ring Inlet connector	G9	1	
Al-gasket for Drain plug	G10	1	
Al-gasket for Union nut	G11	1	
O-ring Manual opener	G12	1	
O-ring Manual opener	G13	1	
Dowel Pin	G14	1	

Description	Fig #	Qty.	Code no.
PEEK seat set for ICM /ICF 20			
Seat PEEK	18	1	027L1272
Rubber gasket	G1	1	
O-ring for PEEK seat	G3	1	
Defrost Module SNV service kit (NPT thread)			
Al gasket	19	1	148B6607
Adapter G1/4" - 3/8" MPT	19	1	
SNV ST 3/8" FPT - 3/8" FPT	19	1	
Blind Plug 3/8" MPT	19	1	
Defrost Module SNV service kit (G thread)			
Al gasket	20	3	148B3778
Adapter G1/4" - G1/2"	20	1	
SNV ST G1/2" - G1/2"	20	1	
Defrost Module repair kit for ICFD 20 (Ammonia)			
Float, Float lever, Slider, Liquid orifice (incl. O-ring), O-ring for Orifice holder, AKV orifice, 2 x O-ring for Inlet connector	16	1	027L6703
Defrost Module repair kit for ICFD 20C (CO₂)			
Float, Float lever, Slider, Liquid orifice (incl. O-ring), O-ring for Orifice holder, AKV orifice, 2 x O-ring for Inlet connector	16	1	027L6709
Defrost Module inlet connector / drain plug			
Inlet connector	17	1	027L6704
O-ring for inlet connector	17	3	
Plug G 1/4"	17	1	
Alu gasket	17	1	

Continued...

Data sheet - Spare parts and accessories

Valve station

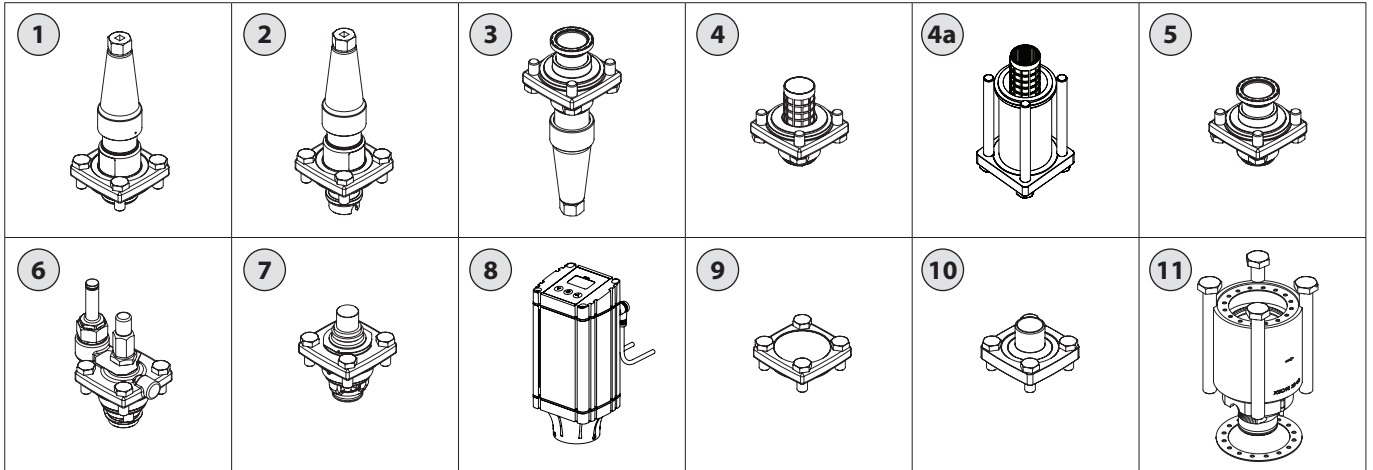
Type ICF 15, ICF EVRAT, ICF 20, ICF SS 20

Description	Fig #	Qty.	Code no.
Defrost Module kit for use when ICFD installed in ICV 20 valve housing			
Orifice kit: Can be used for both ICFD 20 (ammonia) and ICFD 20C (CO ₂)	21	1	027L6711
For ICF/ICF SS side ports			
For ICF side ports: Sight glass G 3/8" (including Al.gasket)	10	2	027L1267
For ICF SS 20/25 side ports with DIN connections: Sight glass SS G 3/8" (including Al. gasket)	10	2	027L4812
For ICF SS 20/25 side ports with ANSI Sch. 40 connections: Sight glass SS 3/8 NPT (including Al.gasket)	10	2	027L4821
Nipple for side connection G 3/8" - G 1/2" (including Al.gasket, for ICF with DIN and ANSI connections only)	11	2	027L1266
Nipple for side connection G 3/8" - G 1/2" (including Al.gasket, for ICF SS)	11	2	027L4810
Blind for side connection G 3/8" (including Al.gasket, for ICF with DIN and ANSI connections only)	12	2	027L1265
Blind for side connection G 3/8" (including Al.gasket, for ICF SS)	12	2	027L4811
Sight glass NPT 3/8" (for ICF with SOC connections only)	10	2	027L1269
Blind for side connection NPT 3/8" (for ICF with SOC connections only)	12	2	027L1268
1/2 in to DIN DN6 pipe weld connector for ICF	15	2	148B4184
1/2 in to DIN DN6 pipe weld connector for ICF SS	15	2	148B4689
For ICF EVRAT			
Repair kit (manual opener) for all ICF EVRAT	14	1	027L1248

Data sheet - Spare parts and accessories

Valve station

Type ICF 25, ICF SS 25



Description	Fig #	Qty.	Code no.
Stop, Check, Stop/check and Regulating valve module			
ICFS 25 – Stop valve module	1	1	027L2250
ICFSS 25 – Stop valve module	1	1	027L4791
ICFR 25A – Manual regulating valve	2	1	027L2254
ICFR SS 25A – Manual regulating valve	2	1	027L4792
ICFR 25B – Manual regulating valve	2	1	027L2255
ICFR SS 25B – Manual regulating valve	2	1	027L4793
ICFN 25 – Stop/Check valve module	3	1	027L2253
ICFN SS 25 – Stop/Check valve module	3	1	027L4803
ICFC 25 – Check valve module	5	1	027L2252
ICFSS 25 – Check valve module	5	1	027L4794
Packing gland for ICFS 25, ICFR 25, ICFN 25	–	1	148B4037
Red cap for ICFS 25	–	1	148B4076
Yellow cap for ICFR 25	–	1	027L1308
Green cap for ICFN 25	–	1	027L1318
Handwheel for ICFS 25	–	1	148B4062

Filter module			
ICFF 25 – Filter module (incl. pleated insert (150 µ (100 mesh) / 160 cm ² (24.8 in ²)))	4	1	027L2251
ICFF SS 25 – Filter module (incl. pleated insert (150 µ (100 mesh) / 160 cm ² (24.8 in ²)))	4	1	027L4795
ICFF 25E – Filter module (incl. pleated insert (150µ (100 mesh) / 330 cm ² (51.2 in ²)))	4a	1	027L2299
ICFF SS 25E – Filter module (incl. pleated insert (150µ (100 mesh) / 330 cm ² (51.2 in ²)))	4a	1	027L4796
Filter element for ICFF 25 100 µ	–	1	148H3123
Filter element pleated for ICFF (25-40)E 250 µ	–	1	148H3296
Filter element for ICFF 25, ICFF SS 25, 150 µ - 160cm ²	–	1	027L0800
Filter element for ICFF 25E, ICFF SS 25E, 150 µ - 330 cm ²	–	1	027L0802

Description	Fig #	Qty.	Code no.
Solenoid valve module			
ICFE 25 – Solenoid valve module	6	1	027L2257
ICFE SS 25 – Solenoid valve module	6	1	027L4797
Motor valve module			
ICM 25-A – Motor valve module	7	1	027H2180
ICM SS 25-A – Motor valve module	7	1	027L4798
ICM 25-B – Motor valve module	7	1	027H2181
ICM SS 25-B – Motor valve module	7	1	027L4799
ICAD 600A – Actuator with 1.5 m (60 in.) cables,	8	1	027H9075
ICAD 600A – Actuator without cables	8	1	027H9120
Blank top cover and welding module			
ICFB 25 – Blank top cover	9	1	027L2259
ICFB SS 25 – Blank top cover	9	1	027L4802
ICFW 25 – Welding module 25DIN	10	1	027L2265
ICFW SS 25 – Welding module 25DIN	10	1	027L4800
ICFW 25 – Welding module 25SOC	10	1	027L2263
Pilot-operated valve module			
ICFG 25 – Pilot-operated valve module*	11	1	027L2261

* For the complete ICS pilot control function, 1 ICFG 25 Pilot-operated valve module + 1 ICS 25 function module + 1 ICS 25 top cover needs to be ordered separately. ICS 25 function module and top cover, see code numbers below.

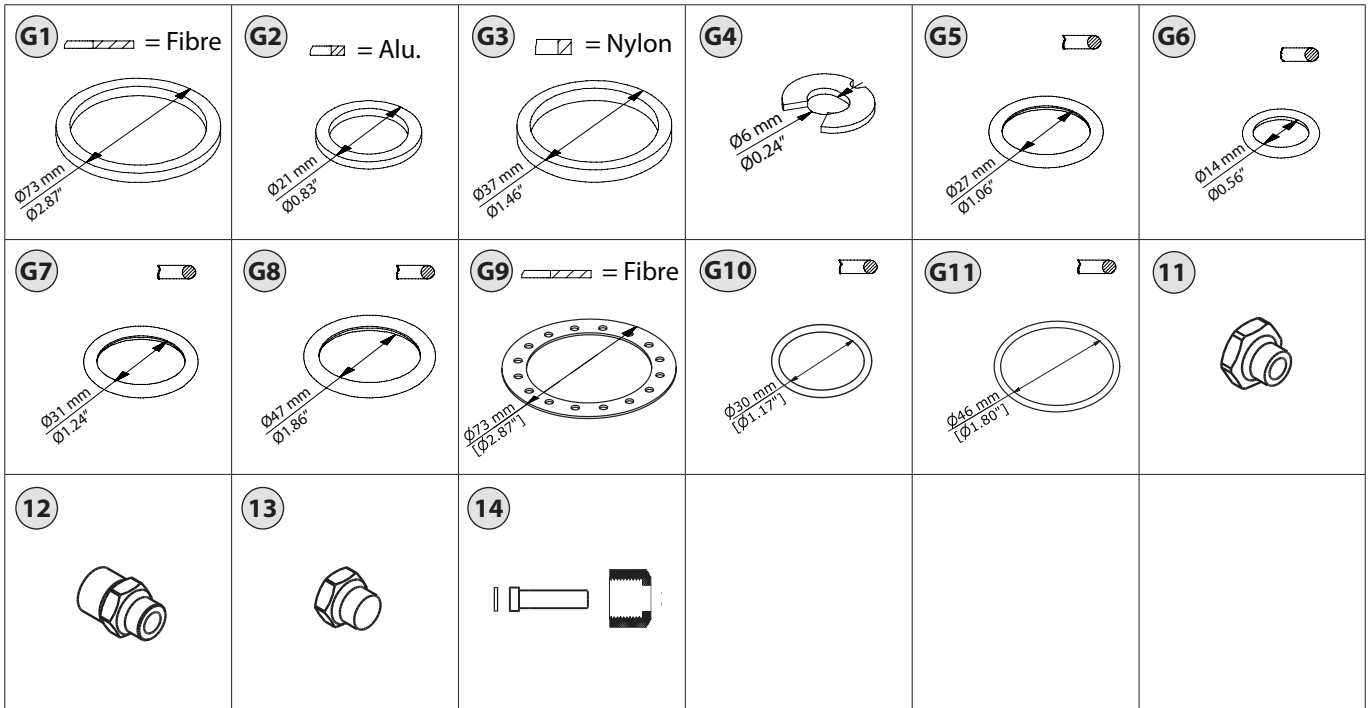
ICS 25 function module	Description	Code Number
<p>Including gasket and O-rings</p>	ICS 25-5	027H2201
	ICS 25-10	027H2202
	ICS 25-15	027H2203
	ICS 25-20	027H2204
	ICS 25-25	027H2200

ICS 25 top cover	Description	Code Number
<p>ICS 1 ICS 3</p>	Top cover 1 Pilot	027H2172 *)
	Top cover 3 Pilots	027H2173 **)
<p>*) Including bolts **) including bolts and one blanking plug</p>		

Data sheet - Spare parts and accessories

Valve station

Type ICF 25, ICF SS 25



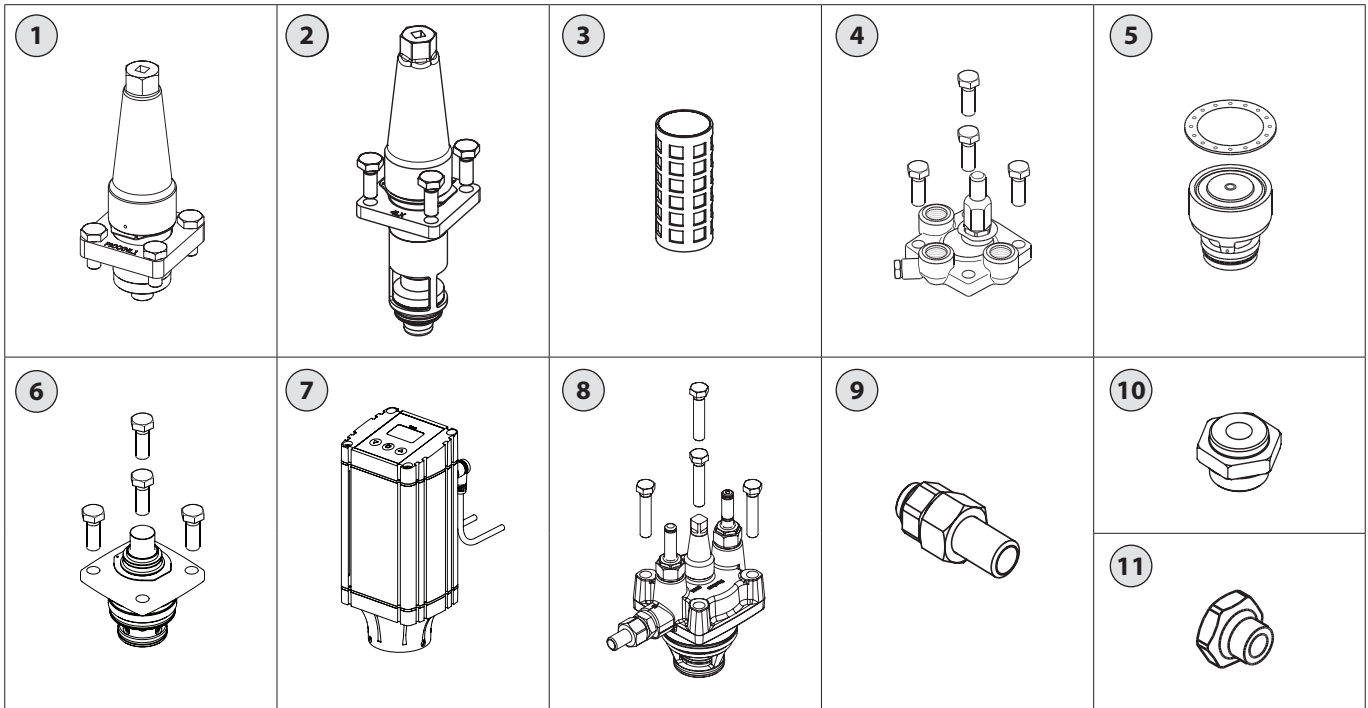
Description	Fig #	Qty.	Code no.	
Gaskets and O-rings for ICF 25/ICF SS 25				
Flat gasket bonnet-flange	G1	6	027L2260	
Stop, reg and stop-check valves				
Gasket for a cap	G3	3		
O-ring for check valve	G5	1		
Solenoid valve module				
O-ring for armature	G6	1		
O-ring for insert	G8	1		
O-ring for inserts (small)	G7	1		
Locking ring	G4	2		
ICM				
O-ring for insert	G8	1		
O-ring for inserts (small)	G7	1		
Side ports				
Al-gaskets	G2	2		
Pilot-operated valve module				
Flat gasket bonnet/top cover flange	G9	2		
O-ring for alu-part small	G10	2		
O-ring for alu-part large	G11	1		

Description	Fig #	Qty.	Code no.
For ICF/ICF SS side ports			
For ICF side ports: Sight glass G 3/8" (including Al.gasket, for ICF with DIN and ANSI connections only)	11	2	027L1267
For ICF SS 20/25 side ports with DIN connections: Sight glass SS G 3/8" (including Al. gasket)	11	2	027L4812
For ICF SS 20/25 side ports with ANSI Sch. 40 connections: Sight glass SS 3/8 NPT (including Al. gasket)	11	2	027L4821
Nippel for side connection G 3/8" - G 1/2" (including Al.gasket, for ICF with DIN and ANSI connections only)	12	2	027L1266
Nippel for side connection G 3/8" - G 1/2" (including Al.gasket, for ICF SS)	12	2	027L4810
Blind for side connection G 3/8" (including Al.gasket, for ICF with DIN and ANSI connections only)	13	2	027L1265
Blind for side connection G 3/8" (including Al.gasket, for ICF SS)	13	2	027L4811
Sight glass NPT 3/8" (for ICF with SOC connections only)	11	2	027L1269
Blind for side connection NPT 3/8" (for ICF with SOC connections only)	13	2	027L1268
1/2 in. to DIN DN6 pipe weld connector for ICF	14	2	148B4184
1/2 in. to DIN DN6 pipe weld connector for ICF SS	14	2	148B4689

Data sheet - Spare parts and accessories

Valve station

Type ICF 50, ICF 65



Description	Fig #	Qty.	Code no.
Shut-off valve module			
SVA-S 50 – Stop valve module	1	1	148B5728
SVA-S 65 – Stop valve module	1	1	148B5822
Manual regulating valve module			
REG-SB 50 – Manual regulating module	2	1	148B5734
REG-SB 65 – Manual regulating module	2	1	148B5824
Strainer insert (50)			
Filter element 100µ (150 mesh)	3	1	148H3157
Filter element 150µ (100 mesh)	3	1	148H3130
Filter element 250µ (72 mesh)	3	1	148H3138
Filter element 500µ (38 mesh)	3	1	148H3144
Pleated filter element 150µ (100 mesh)	3	1	148H3179
Pleated filter element 250µ (72 mesh)	3	1	148H3184
Pleated filter element 500µ (38 mesh)	3	1	148H3189
Pilot operated valve module			
ICS 50 – Top cover 3 pilots	4	1	027H5173
ICS 65 – Top cover 3 pilots	4	1	027H6173
ICS 50 – Function module	5	1	027H5200
ICS 50-32 – Function module	5	1	027H5211
ICS 50-40 – Function module	5	1	027H5212
ICS 65 – Function module	5	1	027H6200
ICS 65-40 – Function module	5	1	027H6212
ICS 80 – Function module	5	1	027H8200

Description	Fig #	Qty.	Code no.
Motor operated valve module			
ICM 50-A – Motor valve module	6	1	027H5180
ICM 50-B – Motor valve module	6	1	027H5181
ICM 65-A – Motor valve module	6	1	027H6180
ICM 65-B – Motor valve module	6	1	027H6181
ICAD 1200A – Actuator with 1.5 m (60 in.) cables	7	1	027H9077
ICAD 1200A – Actuator without cables	7	1	027H9122
2-step solenoid valve module			
ICLX 50 – 2-step solenoid valve module	8	1	027H5204*
ICLX 65 – 2-step solenoid valve module	8	1	027H6204*
Welding connections			
M33 to DIN 25 mm Pipe	9	1	027H5544
M33 to ANSI 1 in. Pipe	9	1	027H5546
Defrost drain connection kit			
M33 - G 3/8 in.	10	1	027H5547
M33 - NPT 3/8 in.	10	1	027H5548
Defrost drain blind plug			
M33 x 1.5 in.	11	2	148F1111

* Including external pilot connection, damping orifice and NC/NO pilot valves. Not assembled.

For ordering of Inspection kits, Repair kits and Overhaul kits for the ICF 50/65 control modules; please refer to the spare parts and accessories data sheet for ICS, ICM and ICLX (AI245486497115).

For ordering of Inspection kits, Repair kits and Overhaul kits for the ICF 50/65 Stop-, Regulating-, Filter-, Check- and Stop/Check modules please refer to the spare parts and accessories data sheet for SVL Flexline (AI198786421038).

Danfoss A/S

Climate Solutions • danfoss.com • +45 7488 2222

Any information, including, but not limited to information on selection of product, its application or use, product design, weight, dimensions, capacity or any other technical data in product manuals, catalogues descriptions, advertisements, etc. and whether made available in writing, orally, electronically, online or via download, shall be considered informative, and is only binding if and to the extent, explicit reference is made in a quotation or order confirmation. Danfoss cannot accept any responsibility for possible errors in catalogues, brochures, videos and other material. Danfoss reserves the right to alter its products without notice. This also applies to products ordered but not delivered provided that such alterations can be made without changes to form, fit or function of the product.

All trademarks in this material are property of Danfoss A/S or Danfoss group companies. Danfoss and the Danfoss logo are trademarks of Danfoss A/S. All rights reserved.