

Data sheet

# Atomizing Water Spray Nozzles Types M & MW

## Application



Hago Mini nozzles are widely used in both professional and home green houses for plant and seedling misting, in industry for process cooling or humidifying and in agriculture for livestock cooling. In recent years they have been used in dry climates for home patio cooling.

### Application and Features

- Misting, cooling, humidifying
- Spraying light oils

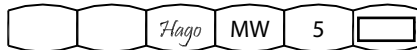
### Availability

- M: 80° spray angle at 100psi (~ 7 bar) water
- MW: 160° spray angle at 100psi (~ 7 bar) water
- Spray pattern: Semi solid cone
- Available in a 12 piece box single packed or a 50 piece blister pack.

Mini nozzle type M features our unique perfect solution where small size, accurate flow rates, very fine atomization and low cost are desired. Mini Wide nozzle type MW designates “wide angle” and provides a very fine atomization in low volume flow rates with a wide spray angle and large coverage area.

## Identification

The nozzles are marked with the following information:



Stamped on the flats		
MW	Spray Angle	MW = Mini Wide
5		5 = 5 USgal/h at 100 psi (~ 7 bar)
	Batch code for internal use	

## Technical Data

### Material and construction

Brass: Our common grade material of construction. Acceptable for most water based applications.  
Stainless Steel (Type 416): Shows good resistance to wear at higher water pressures. It is rust resistant as well, but not rust proof.

120 µm stainless steel filter.

**Recommended tightening torque**  
100-150 in-lbs (11-17 Nm).

**Maximum tightening torque**  
150 in-lbs (17 Nm).

### Pressure vs. Flow

For general purposes, changes in flow rate due to changes in pressure can be estimated as being approximately equal to the square root of the pressure ratio.

Therefore: Flow rate at the desired pressure =

$$\text{RATED FLOW at 100 PSI}^* \sqrt{\frac{\text{DESIRED PRESSURE}}{100}}$$

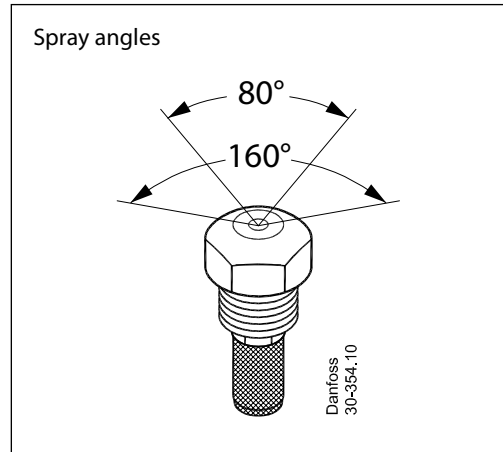
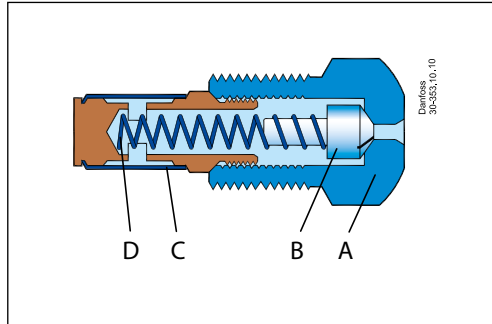
### Filtration

Data sheet

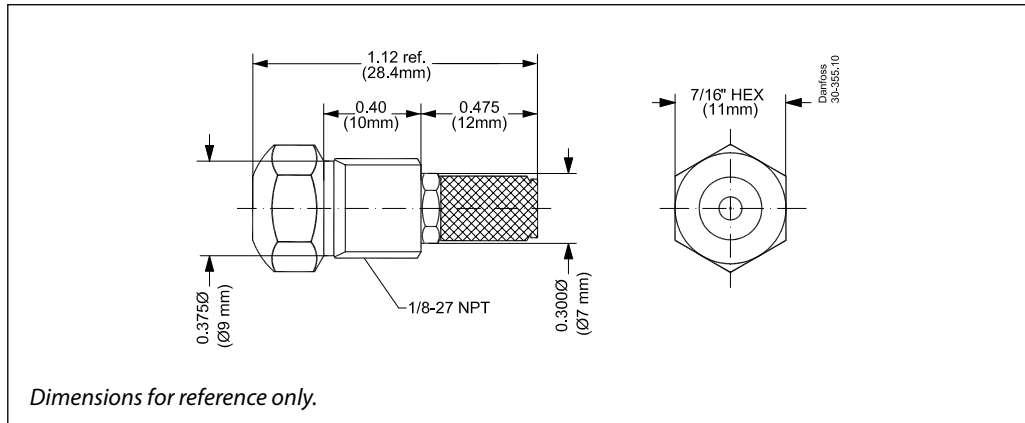
Atomizing Water Spray Nozzles Types M & MW

Design

- A: Tip
- B: Disc
- C: Filter
- D: Spring



Dimensions



Program

Mini	Brass 12 pieces	Brass 50 pieces	Steel 12 pieces	Steel 50 pieces	Usgal/h at 100 psi
M1	030L4604	030L4654	030L4606	030L4656	1.00
M2	030L4608	030L4658	030L4609	030L4659	2.00
M3	030L4610	030L4660	030L4611	030L4661	3.00
M4	030L4612	030L4662	030L4613	030L4663	4.00
M5	030L4614	030L4664	030L4615	030L4665	5.00
M7	-	-	030L4619	030L4669	7.00
M10	030L4616	030L4666	-	-	10.00
M15	030L4617	030L4667	030L4618	030L4668	15.00

Mini-Wide	Brass 12 pieces	Brass 50 pieces	Steel 12 pieces	Steel 50 pieces	Usgal/h at 100 psi
MW5	030L4602	030L4652	030L4601	030L4651	5.00
MW11	-	-	030L4621	030L4671	11.00
MW15	030L4603	030L4653	-	-	15.00

Danfoss

Toronto, ON/Baltimore, MD  
Toll Free: 888-DANFOSS (326-3677) Option #3 for Heating  
heating.danfoss.us  
heating.cs.na@danfoss.com

Danfoss can accept no responsibility for possible errors in catalogues, brochures and other printed material. Danfoss reserves the right to alter its products without notice. This also applies to products already on order provided that such alterations can be made without subsequential changes being necessary in specifications already agreed. All trademarks in this material are property of the respective companies. Danfoss and the Danfoss logotype are trademarks of Danfoss A/S. All rights reserved.